

# CONGA

**CONGA 11090 SPIN REVOLUTION HOME&WASH**

Robot aspirador / Robot vacuum cleaner



cecotec

Manual de instrucciones  
Instruction manual  
Manuel d'instructions  
Bedienungsanleitung  
Manuale di istruzioni  
Manual de instruções  
Handleiding  
Instrukcja obsługi  
Návod k použití

## 1. PARTS AND COMPONENTS

Fig. 1.1:

1. Charging terminals
2. Infrared sensor
3. Laser
4. Top lid
5. Back Home
6. Indicator lights
7. Power button
8. Infrared sensor
9. Rotating mops
10. Drive wheels
11. Main brush lid
12. Main brush
13. Side brush
14. Omnidirectional wheel
15. Fall-detection sensors
16. Battery

**Robot mop accessories.** Fig. 1.2:

1. Mains cable
2. Side brush
3. Mop (x2)
4. Self-cleaning brush
5. High-efficiency filter
6. Self-emptying base bag
7. Instruction manual

**Self-cleansing base.** Fig. 2:

1. Dust tank
2. Clean-water tank
3. LED indicator light
4. Washing base
5. Dust tank lid
6. Waste-water tank
7. Water duct
8. Mop washing system
9. Charging terminals

10. Tank emptying channelling system
11. Tank emptying channelling system
12. Access tray and robot support

**Mixed tank.** Fig. 3:

1. Dust tank
2. Tank opening
3. Upper dust tank lid
4. High-efficiency filter + primary filter + sponge filter

NOTE:

The graphics in this manual are schematic representations and may not exactly match the appliance.

## 2. BEFORE USE

- This robot vacuum cleaner includes a package designed to protect it during transport. Take the robot vacuum cleaner out of the box. Keep the original box and other elements in a safe place, as this will help you prevent product damage when transporting it in the future. In case the original packaging is disposed of, make sure all packaging materials are recycled accordingly.
- Make sure all parts and components are included and in good conditions. If there is any piece missing or not in good condition, immediately contact the official Cecotec Technical Support Service.

### Warnings

- Remove all objects around the robot vacuum cleaner such as clothing, papers, cables, curtains, or other fragile objects which may block or slow down the operation of the robot vacuum cleaner. Fig. 4
- If the room to be cleaned is near a balcony or stairs, a physical barrier should be placed to prevent the robot vacuum cleaner from falling and getting damaged, thus ensuring safe operation. Fig. 5
- Do not use the robot vacuum cleaner for liquids. Fig. 6
- Direct exposure to sunlight or heavy light contrasts may affect the correct operation of the sensors. If this happens, the robot vacuum cleaner will cease operation. Move it to a new location for it to start running again.
- Please note that the total height of the robot vacuum cleaner is 10 cm and the sensors are at the bottom, so it is advisable to prevent access to all areas below 10 cm to avoid damaging the laser.

**Installing the charging base**

- Place the charging base against a wall and leave a minimum free space of 1.5 metres to the front and 0.5 metres to each side. Fig. 7
- Connect the charging base to a power socket. Wind and store the remaining cable to prevent accidents.
- Hold down the Start/Pause button for a few seconds.
- When the indicator light turns on, place the robot vacuum cleaner in the charging base and make sure the charging terminals on the robot match those of the charging base. If the light is flashing blue, it means the battery is not completely charged. To ensure the maximum cleaning time, wait until the light turns into steady blue, as this indicates that the battery is fully charged and that the robot vacuum cleaner is ready to clean.

**Note**

- Take the robot vacuum cleaner to the charging base if the battery is low. The robot vacuum cleaner may not turn on if battery is too low.
- The robot vacuum cleaner will automatically turn on when placed on the charging base.
- The robot vacuum cleaner cannot be turned off during recharge.

**Installing the clean-water tank.** Fig. 8

- Pull out the clean-water tank (tank with transparent lid) in the direction shown.
- Lift up the lid and fill the water tank with clean water. Do not exceed the "MAX" mark on the tank.
- Install again the clean-water tank in its original position

**Recommendations**

Add a few drops of cleaning agent to the water if necessary, as long as it is non-corrosive.

Using cleaning agents in excess might block water outlets.

In order to achieve perfect scrubbing, it is suggested to moisten the mop before using it and washing it after each use

**First use**

- Once the robot vacuum cleaner and the charging base are installed, follow these steps before the first cleaning.
- First of all, fully charge the robot vacuum cleaner. It is suggested to allow the robot to charge overnight. Once fully charged, it may carry out the first cleaning cycle and save the first map. To do so, activate the Auto mode and select the Eco suction level. It is very important to follow these instructions so that the robot vacuum cleaner recognises every corner of your house and can carry out a complete mapping of it.
- If your house is very large and the robot vacuum cleaner runs out of battery, it will return to the charging base, save both complete and incomplete maps, and, once charged, it will

resume cleaning where it left off until the entire surface has been mapped. The robot vacuum cleaner is constantly mapping, so it adapts in an individualised and personalised way to the particularities of each house while constantly improving its map.

- The robot will return to the charging base to clean the mops and moisten them again to continue cleaning, according to the frequency selected in the application.

**Information on the charging base**

- After cleaning, the robot will automatically return to the self-emptying base to recharge the battery and empty the dirt tank.
- During cleaning, the robot will return to the charging base to clean the mops and moisten them again to continue cleaning where it left off, depending on the frequency selected in the app. The base will perform the self-emptying function according to the emptying frequency value selected on the app.
- In addition, it is possible to force the emptying of the dust tank from the robot vacuum cleaner by pressing the "home" return-to-base button, or from the app.
- When the robot vacuum cleaner reaches the charging base it will beep once, indicating that it has made good contact with the charging terminals of the base.
- The base will then clean the mops and collect the dirty water generated. After cleaning and dirty water collection, the base will activate the mop drying function.
- If the indicator light on the charging base is red, it may indicate that the dirt bag is not attached or is full, the clean-water tank is empty or the dirty water tank is full.
- If so, fit or replace the bag, fill the clean-water tank or empty the dirty water tank.

**3. OPERATION****Robot vacuum cleaner's buttons****Auto Mode**

- Press the Start/Pause button on the robot vacuum cleaner or from the app for the robot to automatically start cleaning in Edge mode and perform a cleaning cycle in an orderly zig-zag pattern, while recognising which areas it has cleaned and which it hasn't. The robot vacuum cleaner will automatically plan the cleaning route during cleaning.
- The robot will return to the charging base to clean the mops and moisten them again to continue cleaning, according to the frequency selected in the application.
- If you control the robot vacuum cleaner manually during this mode, the robot will recalculate the route, so it may pass through already cleaned areas. To ensure efficient cleaning, do not operate the robot vacuum cleaner manually during automatic cleaning.
- Thanks to its Total Surface 2.0 technology, if the battery is low during the cleaning cycle, the robot vacuum cleaner will smartly return to the charging base automatically and once fully charged, it will resume the cleaning process from the same point.
- During cleaning, the robot vacuum cleaner will stop briefly to evaluate the area and calculate the cleaning route (this stop will vary depending on the house conditions).

**Back Home mode**

- Press the Back Home button on the robot vacuum cleaner or from the app to send the robot vacuum cleaner to the charging base.
- This mode can be activated during any cleaning cycle.
- The robot vacuum cleaner will take the shortest route back to the charging base thanks to its map-memorisation feature and the smart back-home function.
- Upon completing a cleaning cycle or when the battery is low, thanks to its Total Surface 2.0 technology, the robot vacuum cleaner will automatically return to the charging base to avoid running out of battery. Once the robot has recharged, it will resume cleaning from the point it has stopped.

**Note:**

If there is no good access to the charging base, the robot vacuum cleaner will not be able to return to it. If this happens, manually place it in the self-emptying base.

**Functions****Pause:**

While the robot vacuum cleaner is running, press the Start/Pause button on the robot vacuum cleaner or select it in the app to pause the cleaning process. Press the Start/Pause button on the robot vacuum cleaner or on the app to resume the cleaning process.

**Standby:**

The robot vacuum cleaner will automatically enter standby mode after 10 minutes of inactivity. Press the Start/Pause button on the robot vacuum cleaner or in the app to activate it again.

**Cleaning modes**

- The robot vacuum cleaner includes different modes and functions that can be toggled from the app.
- In addition, in every one of the cleaning modes on the app, you will be able to select the Turbo mode on carpets, which activates the maximum suction power when the robot vacuum cleaner detects a carpet.
- Please note that the robot will stop the rotary movement of the mops when it detects the carpet, but if the mops are wet it may dampen the carpet. To avoid this, from the application you can indicate restricted areas in the areas where the carpets are in your home, or directly from the application indicate that the robot does not climb on the carpet when it detects it.

**Edge mode:**

- When this mode is selected, the robot vacuum cleaner will clean along walls and around furniture (e.g., table or chair legs).

- The robot will return to the charging base to clean the mops and moisten them again to continue cleaning, according to the frequency selected in the application.
- Press the edge cleaning mode in the app.

**Spiral mode:**

- When this mode is enabled, the robot vacuum cleaner will thoroughly clean a specific area. It will start cleaning at a specific spot and will move outwards in a spiral motion, and it will return to the starting spot in an inwards spiral motion again.
- When it finishes and returns to the starting spot, the robot vacuum cleaner will return to the charging base directly.
- Before using this mode, place it in the spot you wish to clean.
- Select the spiral cleaning mode on the app.

**Manual Mode:**

The robot vacuum cleaner can be moved manually by selecting manual mode in the application and using the arrow keys.

**Back Home mode:**

Press the Back Home button on the robot vacuum cleaner or select the option in the app to send the robot vacuum cleaner to the charging base in any cleaning mode.

**Smart Area Mode:**

- Once the home's map has been saved, select this mode for the robot to clean a specific area in zigzag motion. The robot vacuum cleaner will clean the selected area and then return directly to the charging base. You can select more than one area on the map at a time. The robot vacuum cleaner will only clean the area selected on the map. It will therefore go to the selected area and return to the base without vacuuming.
- To activate this mode, select the Smart Area option on the app.

**Spot mode:**

- Select this mode if you want to thoroughly clean a specific point in the map, making the most of the robot vacuum cleaner's maximum power. The robot vacuum cleaner will clean an area of 1.6m x 1.6m in a zigzag pattern and return directly to the charging base once finished. The robot vacuum cleaner will only clean the area selected on the map. It will therefore go to the selected area and return to the base without vacuuming.
- To activate this mode, select the spot cleaning option on the app.

**Restricted Area mode:**

Mark out specific areas on the map that you do not want the robot vacuum cleaner to clean. The robot vacuum cleaner will detect the defined area and will not clean it. You can select more than one restricted area on the map.

**Complete cleaning mode:**

- Select this mode to perform a deep cleaning of your house. The robot vacuum cleaner will clean in Edge mode and continue zigzagging horizontally and vertically. It will then return to the charging base.
- To activate this mode, select the complete cleaning option on the app.

**Power Level function:**

Select the power level on the app to control the robot vacuum cleaner's suction power during cleaning. There are four suction power levels: 3: Off, Eco, Normal and Turbo.

**Cleaning scheduling:**

- To make cleaning easier, the robot vacuum cleaner has a function that allows it to be programmed daily from the app. According to the setting, the robot vacuum cleaner will automatically start cleaning in the selected days at the desired time.
- Before adjusting the time and settings, make sure the robot vacuum cleaner is switched on.
- In addition, you can select different predefined cleaning programmes for different situations in your daily life.

**Other Functions;****Night Function:**

A Do Not Disturb time slot can be selected to control the operation of the robot vacuum cleaner, and it can be modified or cancelled from the app. During the set time, the robot vacuum cleaner will disable the automatic, continuous cleaning and timer functions.

**Map Editing function:**

This function allows you to edit the generated maps: rename cleaning areas, split or combine areas, and edit cleaning mode, mark restricted areas and select different suction powers.

**Robot vacuum cleaner's Location function:**

Allows to locate the robot vacuum cleaner on the map.

## 4. CLEANING AND MAINTENANCE

**Cleaning the main brush.** Fig. 9

- The main brush spins at top speed and helps pushing the dirt into the suction mouth. This brush is in contact with the floor, and therefore with dirt, so it can wear out overtime, affecting negatively to the cleaning efficiency. For this reason, it is suggested to replace the main brush after a maximum of 320 hours or less.
1. Slightly press the main brush frame's tabs to open the main brush compartment and remove it.

2. Remove hair, lint, and other dirt trapped in the brush and around the shafts with the help of the self-cleaning brush.
3. Clear and clean the robot vacuum cleaner's suction channel.
4. Reinstall the main brush and its frame.

**Recommendation**

It is recommended to clean the main brush once a week with the help of the self-cleaning brush.

**Side brush.** Fig. 10

The side brush is designed with many bristles and used both to push dirt into the suction mouth and thoroughly clean edges and corners. This brush may wear out overtime, which will negatively affect cleaning efficiency.

**Recommendations**

- It is recommended to clean the side brush once a week with the help of the self-cleaning brush.
- Remove the retaining screw of the side brush with a screwdriver and clean the brush regularly.
- After cleaning, reinstall the side brush using the screwdriver.

**Recommendation**

To ensure perfect cleaning, it is recommended to change the side brush every 3 months (depending on frequency and type of use).

**Dust tank.** Fig. 11.

- Lift the top lid of your robot.
- Press the tank removal button and remove the tank.
- Use the self-cleaning brush to clean the inside of the mixed tank.
- You can clean the dust compartment with water, without immersing the tank.
- Reinstall the dust tank on the robot vacuum cleaner.

**Filters****High-efficiency filter**

- The high-efficiency filter is designed with fibres that help trap dust particles, dust mites, pollen... It is very important to periodically clean the filter, to prevent these particles from building up in the filter, causing efficiency loss. It is convenient to carry out this maintenance once a week.
- Replace the high efficiency filter every 3 months, depending on the frequency and type of use.

**Recommendation**

You can remove dirt from the high-efficiency filter with a small brush or gently shake the filter on a hard surface to remove the dust. The high-efficiency filter cannot be washed.

**Primary mesh filter and sponge filter**

The filtering system is featured with a primary mesh filter and a sponge filter, located next to the high-efficiency filter. It is suggested to replace them either after a maximum of 160 hours of use or when they are worn out due to operation.

**Recommendation**

Dirt can be removed with a small brush or by shaking carefully against a hard surface for dust to fall off. You can also use warm water without detergents to obtain better results. Always make sure they are completely dry before installing them again; otherwise, moisture can reach the robot vacuum cleaner's motor and damage it.

**Cleaning the sensor.** Fig. 12:

- The robot vacuum cleaner has different types of sensors, for example, proximity sensors that allow the robot to move around while detecting obstacles, or fall-detection sensors that help the robot detect slopes or possible gaps/unevenness such as staircases. These sensors are always in contact with dust particles, and therefore can deteriorate over time, causing possible navigation errors.
- Use a clean, dry, and soft cloth to wipe off any dust from the free-fall sensor located on the robot vacuum cleaner part.
- It is recommended to clean all sensors of the robot vacuum cleaner every 35 hours of use or less, using a soft, dry cloth.

**Mop holder.** Fig. 13:

- The mop holder is attached to the robot with magnets. It is important to keep these clean to ensure good contact.
- For cleaning, remove the mop holders and wipe the magnets with a soft, dry, clean cloth.
- Replace the holders.

**Charging base.** Fig. 14:

- Clean the dirty water tank and the different cleaning areas of your charger base by removing these parts as indicated by the direction arrows.
- In addition, the charging base has two charging terminals that can be dusty and dirty. Wipe them with a clean, soft, dry cloth.

**Charging and replacing the battery**

To extend battery life, leave the robot vacuum cleaner charging on the self-emptying base whenever not in use.

Remove the battery and store it in a safe, dry place if the robot vacuum cleaner will not be used for a long period of time.

To replace the battery, follow the instructions below:

1. Unscrew the screws on the bottom battery lid, remove the lid and remove the battery.
2. Insert the new battery.
3. Replace the battery and the lower casing and refasten the screws.

**5. TROUBLESHOOTING****Robot vacuum cleaner**

Problem	Possible cause and solution
The robot vacuum cleaner does not switch on or does not clean.	The robot vacuum cleaner does not work when battery is low. Allow it to charge before operation.
	The room temperature is below 0 °C or above 40 °C.
The robot vacuum cleaner isn't charging or returning to the self-emptying base.	There are too many obstacles near the self-emptying base. Relocate the base to an obstacle-free area.
	Clean the charging terminals of the robot vacuum cleaner and the self-emptying base.
	Make sure the robot vacuum cleaner is switched on.
The robot vacuum cleaner does not work properly.	The robot vacuum cleaner is too far away from the self-emptying base. Place it closer and try again.
	Turn off the robot vacuum cleaner and turn it on again.
The robot vacuum cleaner makes a strange noise during operation.	Reset the robot vacuum cleaner by pressing the side Reset button.
	The main brush, side brush, or omnidirectional wheel are blocked or tangled. Stop the robot vacuum cleaner and clean them.
Robot vacuum cleaner does not clean efficiently or doesn't pick up all the dirt	The high-efficiency filter is blocked. Clean it.
	The main brush is blocked or tangled. Clean it.
	The dust tank is full, empty it.

The robot vacuum cleaner could not connect to the Wi-Fi network.	Bad Wi-Fi signal. Check that the robot vacuum cleaner is located in an area with good Wi-Fi signal.
	The Wi-Fi connection is unstable. Reset the router, check if there are any App updates, and try again. This robot vacuum cleaner only supports the 2.4 GHz band.
	Make sure that your device mobile data are deactivated to improve the linking process.
The robot vacuum cleaner did not carry out the scheduled cleaning task.	Check if the robot vacuum cleaner is in Sleep mode and change mode. This option can be found on the general settings of the robot vacuum cleaner and allows you to define time slots in which the robot will not perform the scheduled cleaning tasks when in Sleep mode.
	Make sure the robot vacuum cleaner is plugged to the mains, that it will not be able to carry out scheduled cleanings offline, and that the battery is not low.
The robot vacuum cleaner does not return to the self-emptying base after finishing Spot cleaning or changing the starting position.	The robot vacuum cleaner will map and calculate a new route after running in Spot cleaning mode or after changing its starting position.
	If the self-emptying base is too far away from the robot vacuum cleaner, the latter won't be able to return to the base. Manually move the robot vacuum cleaner close to the base.
The robot vacuum cleaner does not resume cleaning.	Make sure the robot vacuum cleaner is not in Sleep mode, as it will not resume cleaning in this mode.
	When manually placed in the self-emptying base, the robot will not resume cleaning.
The robot vacuum cleaner is always offline.	Make sure the robot vacuum cleaner is successfully connected to a 2.4 GHz network and always in areas with good Wi-Fi signal.
The connection between the smartphone and the robot vacuum cleaner failed.	Make sure the robot vacuum cleaner and the charging base are in an area with good Wi-Fi signal, reset the router, and retry connection.

**Auto clean base**

Problem	Possible cause and solution
The self-cleaning base does not clean the mops.	There is not enough water in the clean-water tank. Fill it in.
	The waste-water tank is full. Empty and clean it. Also clean the openings of the waste-water filter.


**6. TECHNICAL SPECIFICATIONS**

**Product: Conga 11090 Spin Revolution Home&Wash**

Product reference: 08105

Voltage: 20 V DC 1.5 A

Rechargeable Li-ion battery

Rated capacity: 14.8 V  3200 mAh

Wi-Fi connection: Wi-Fi IEEE 802.11 b/g/n 2.4 GHz

Maximum Transmission Power: 20 dBm

**Product: Self-emptying base**

Input: 220-240 V ~ 50/60 Hz

Output: 20 V  1.8 A

Power: 650 W

Technical specifications may change without prior notification to improve product quality

Made in China | Designed in Spain

**7. DISPOSAL OF OLD ELECTRICAL AND ELECTRONIC APPLIANCES**



This symbol indicates that, according to the applicable regulations, the product and/or batteries must be disposed of separately from household waste. When this product reaches the end of its shelf life, you should dispose of the batteries/accumulators and take them to a collection point designated by the local authorities.

Consumers must contact their local authorities or retailer for information concerning the correct disposal of old appliances and/or their batteries. Compliance with the above guidelines will help protecting the environment.

## 8. TECHNICAL SUPPORT AND WARRANTY

Cecotec shall be liable to the end user or consumer for any lack of conformity that exists at the time of delivery of the product under the terms, conditions, and deadlines established by the applicable regulations.

It is recommended that repairs be carried out by qualified personnel.

If at any moment you detect any problem with your product or have any doubt, do not hesitate to contact the official Cecotec Technical Support Service at +34 963 210 728.

## 9. COPYRIGHT

The intellectual property rights over the texts in this manual belong to CECOTEC INNOVACIONES, S.L. All rights reserved. The contents of this publication may not, in whole or in part, be reproduced, stored in a retrieval system, transmitted, or distributed by any means (electronic, mechanical, photocopying, recording or similar) without the prior authorization of CECOTEC INNOVACIONES, S.L.

## 10. DECLARATION OF CONFORMITY

**CE** Cecotec Innovations hereby declares that this robot vacuum cleaner, model 08105\_Conga 11090 Spin Revolution Home&Wash is in conformity with the Radio Equipment Directive 2014/53/EU.

The full text of the EU Declaration of Conformity can be found on the following website:

[www.cecotec.es](http://www.cecotec.es)

## 1. PIÈCES ET COMPOSANTS

Img. 1.1.

1. Bornes de charge
2. Capteur infrarouge
3. Laser
4. Cache inférieur
5. Retour à la base
6. Témoins lumineux
7. Bouton de connexion
8. Capteur infrarouge
9. Tissus rotatifs
10. Roues motrices
11. Couvercle brosse centrale
12. Brosse centrale
13. Brosse latérale
14. Roue omnidirectionnelle
15. Capteurs antichute
16. Batterie

**Accessoires du robot aspirateur.** Img. 1.2.

1. Câble réseau
2. Brosse latérale
3. Tissu (x2)
4. Brosse d'auto-nettoyage
5. Filtre de haute efficacité
6. Sac de la base de vidange automatique
7. Manuel d'instructions

**Base d'auto-nettoyage.** Img. 2 :

1. Réservoir de saleté
2. Réservoir d'eau propre
3. Témoin LED
4. Base d'auto-nettoyage
5. Couvercle du réservoir de saleté
6. Réservoir d'eau sale
7. Conduit de l'eau
8. Système de nettoyage des tissus
9. Bornes de charge



## 8. ZÁRUKA A TECHNICKÝ SERVIS

Společnost Cecotec odpovídá konečnému uživateli nebo spotřebiteli za jakýkoli nesoulad, který existuje v době dodání výrobku za podmínek a ve lhůtách stanovených platnými předpisy. Doporučuje se, aby opravy prováděl kvalifikovaný personál. Pokud zjistíte problém s výrobkem nebo máte jakékoli dotazy, obraťte se na oficiální technickou podporu společnosti Cecotec na čísle +34 96 321 07 28.

## 9. COPYRIGHT

Práva duševního vlastnictví k textům v této příručce patří společnosti CECOTEC INNOVACIONES, S.L. Všechna práva jsou vyhrazena. Obsah této publikace nesmí být vcelku ani po částech reprodukován, ukládán do vyhledávacího systému, přenášen nebo šířen jakýmkoli způsobem (elektronicky, mechanicky, fotokopírováním, nahráváním nebo podobně) bez předchozího souhlasu společnosti CECOTEC INNOVACIONES, S.L.

## 10. PROHLÁŠENÍ O SHODĚ

**CE** Cecotec Innovaciones tímto prohlašuje, že tento robotický vysavač, model 08105\_Conga 11090 Spin Revolution Home&Wash, je v souladu se směrnicí 2014/53/EU o rádiových zařízeních.

Úplné znění EU prohlášení o shodě je k dispozici na této internetové adrese: [www.cecotec.com](http://www.cecotec.com)

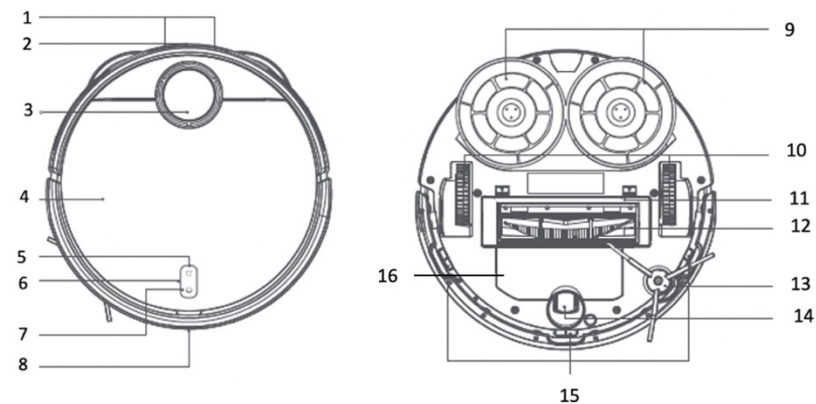


Fig./Img./Abb./Afb./ Rys. 1.1



Fig./Img./Abb./Afb./ Rys. 1.2

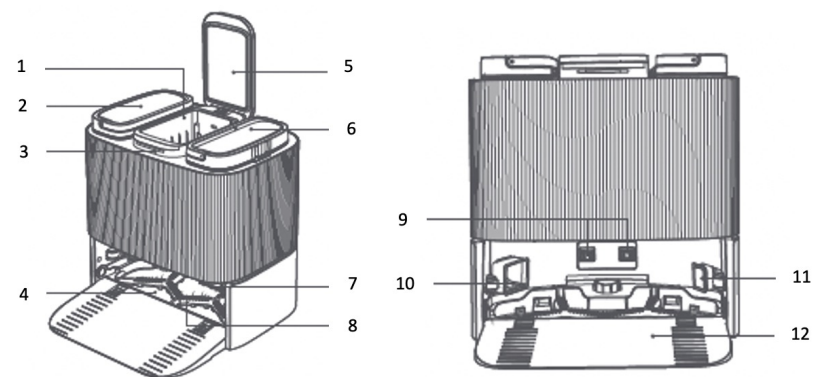


Fig./Img./Abb./Afb./ Rys. 2

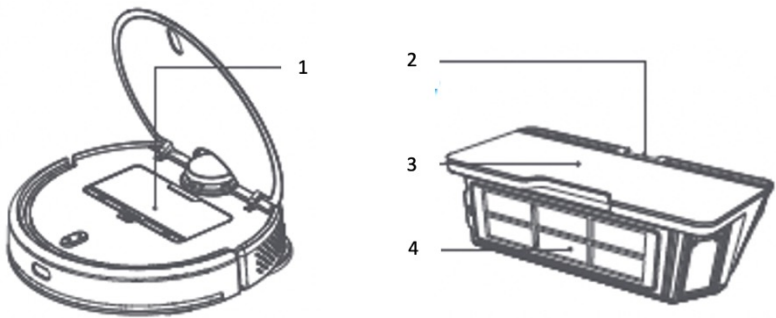


Fig./Img./Abb./Afb./ Rys. 3

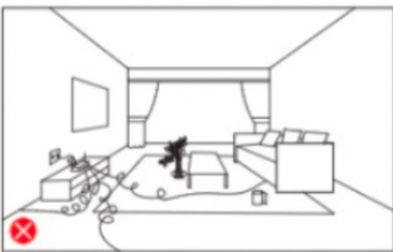


Fig./Img./Abb./Afb./ Rys. 4

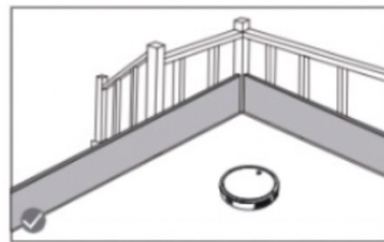
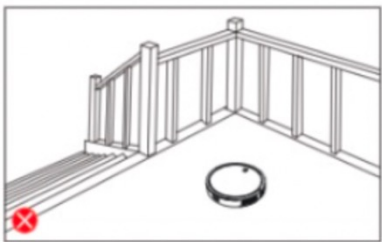


Fig./Img./Abb./Afb./ Rys. 5

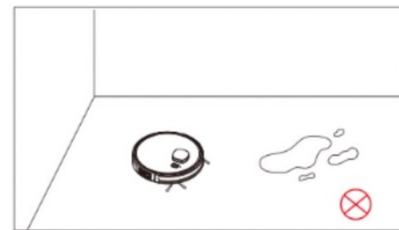


Fig./Img./Abb./Afb./ Rys. 6

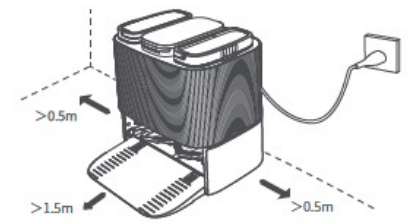


Fig./Img./Abb./Afb./ Rys. 7

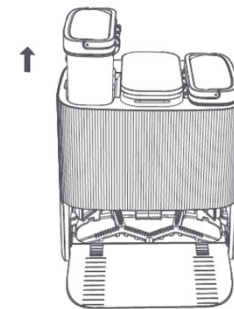


Fig./Img./Abb./Afb./ Rys. 8

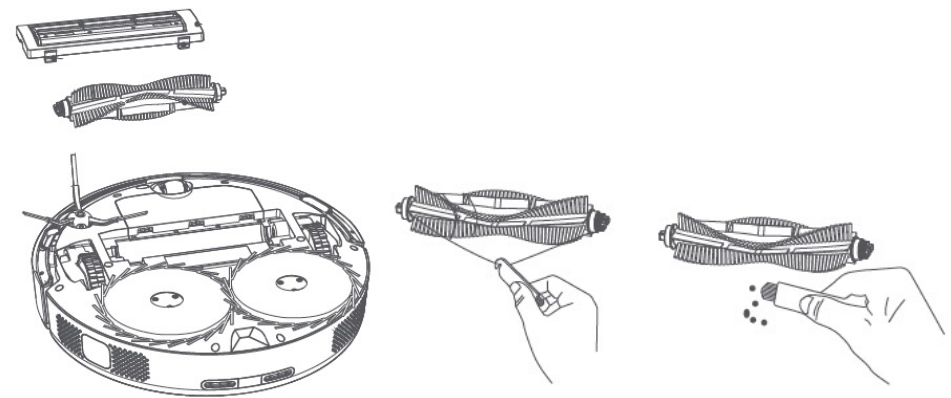


Fig./Img./Abb./Afb./ Rys. 9

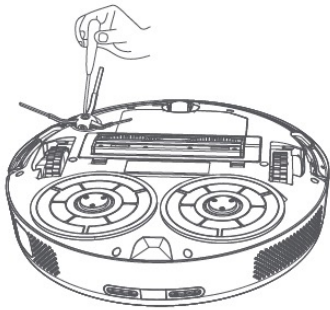


Fig./Img./Abb./Afb./ Rys. 10

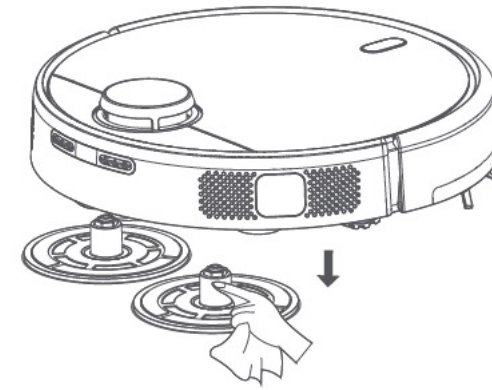


Fig./Img./Abb./Afb./ Rys. 13

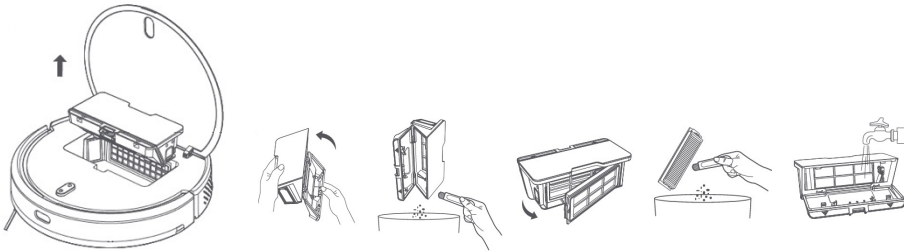


Fig./Img./Abb./Afb./ Rys. 11

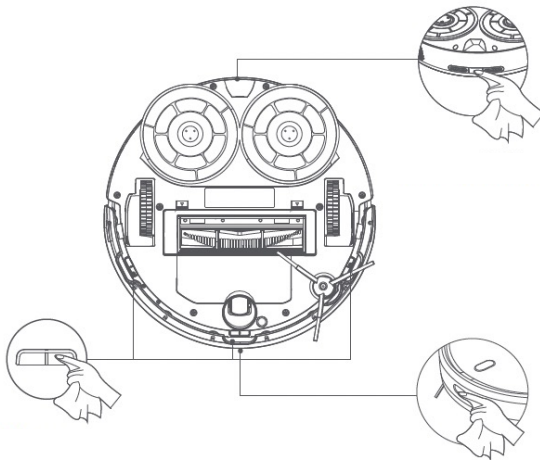


Fig./Img./Abb./Afb./ Rys. 12

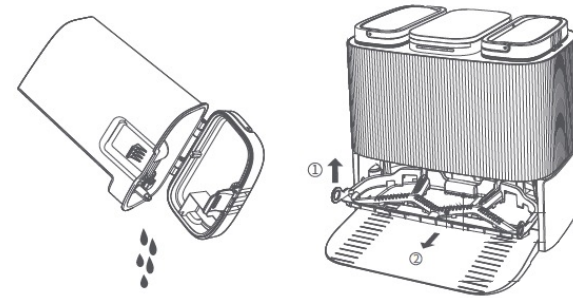


Fig./Img./Abb./Afb./ Rys. 14

[www.cecotec.es](http://www.cecotec.es)

Cecotec Innovaciones S.L.  
Av. Reyes Católicos, 60  
46910, Alfafar (Valencia), Spain  
EA01230420