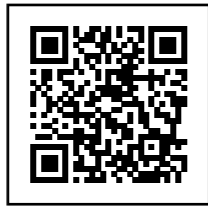
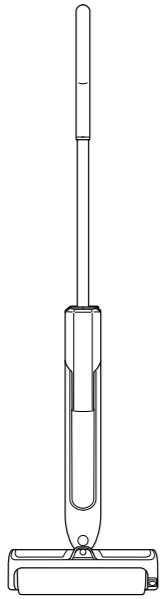


Shark HYDRODUO

WET-DRY HARD FLOOR CLEANING SYSTEM

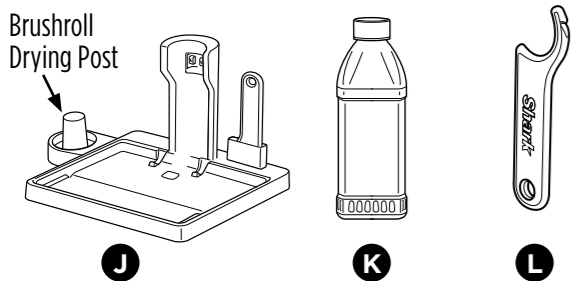
WW200C Series



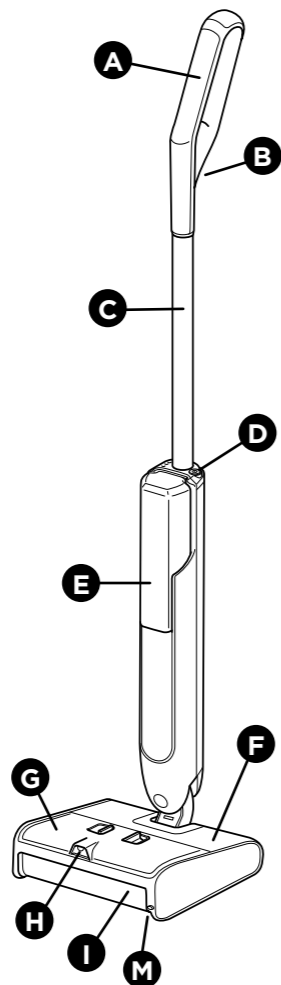
To view **HOW-TO VIDEOS** scan QR Code.

WHAT'S INCLUDED

- A** Handle
- B** Spray Trigger
- C** Pole
- D** Power Button
- E** Clean Solution Tank
- F** Debris Holder
- G** Nozzle Cover
- H** Spray Nozzle
- I** Brushroll
- J** Charging Dock
- K** Shark® Hard Floor Multi-Surface Concentrate
- L** Brushroll Cleaning Tool
- M** Debris Illumination Light



Note: Not all accessories come with all units and may vary by model. Please visit www.sharkclean.com for more details.



IMPORTANT SAFETY INSTRUCTIONS - FOR HOUSEHOLD USE ONLY

SAVE THESE INSTRUCTIONS.
READ ALL INSTRUCTIONS BEFORE USING THIS CLEANER.

This appliance has a polarized plug (one blade is wider than the other). As a safety feature, this plug will fit into a polarized outlet only one way. If the plug does not fit fully into the outlet, reverse the plug. If it still does not fit, contact a qualified electrician. **DO NOT** attempt to defeat this safety feature. It is not recommended to use an extension cord with this product.

⚠ WARNING

To reduce the risk of fire, electric shock, or injury:

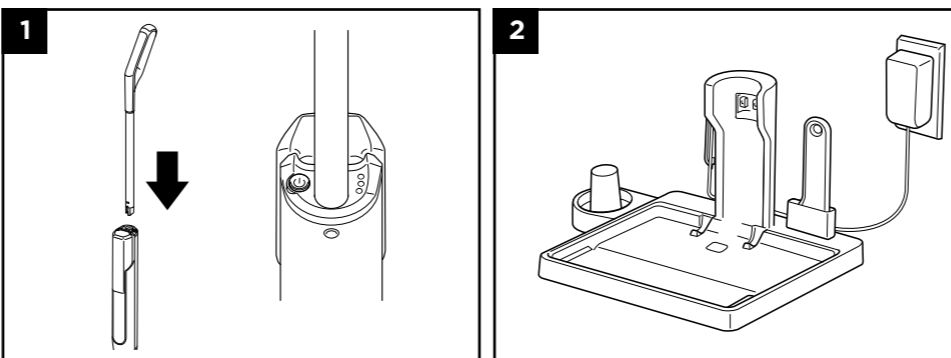
GENERAL WARNINGS: WHEN USING YOUR SHARK® HYDRO DUO, BASIC SAFETY PRECAUTIONS SHOULD ALWAYS BE FOLLOWED, INCLUDING THE FOLLOWING:

1. If the charging cord plug does not fit fully into the outlet, reverse the plug. If it still does not fit, contact a qualified electrician. **DO NOT** force into outlet or try to modify to fit.
2. To reduce the risk of shock and unintended operation, turn off power before servicing.
3. This Hydro Duo consists of a motorized nozzle, main body, pole, and handle. These components contain electrical connections, electrical wiring, and moving parts that potentially present risk to the user.
Warning: Do not modify or attempt to repair the appliance except as indicated in the instructions for use and care.
4. Before each use, carefully inspect all parts for any damage. If a part is damaged, discontinue use.
5. Use only identical replacement parts. Only use parts designed for this product.
6. Use only as described in this manual. **DO NOT** use the Hydro Duo for any purpose other than those described in this manual.
7. **DO NOT** immerse or spray water on the body of the Hydro Duo. To clean the surface, wipe with a dry cloth.
8. Keep the Hydro Duo and the cord out of reach of children. Do not allow the appliance to be used by children. Do not allow to be used as a toy. Close supervision is necessary when used near children.
9. This appliance can be used by persons with reduced physical, sensory, or mental capabilities or lack of experience or knowledge if they have been given supervision or instruction concerning use of the appliance in a safe way and understand the hazards involved. Cleaning and user maintenance shall not be done by children.
10. **DO NOT** handle plug or Hydro Duo with wet hands.
11. **DO NOT** use without the debris holder, clean solution tank, filter, and brushroll cover in place.
12. Only use Shark® branded accessories.
13. **DO NOT** put any objects into nozzle openings. **DO NOT** use with any opening blocked; keep free of dust, lint, hair, and anything that may reduce pick up.
14. Keep nozzle and all openings away from hair, face, fingers, uncovered feet, or loose clothing.

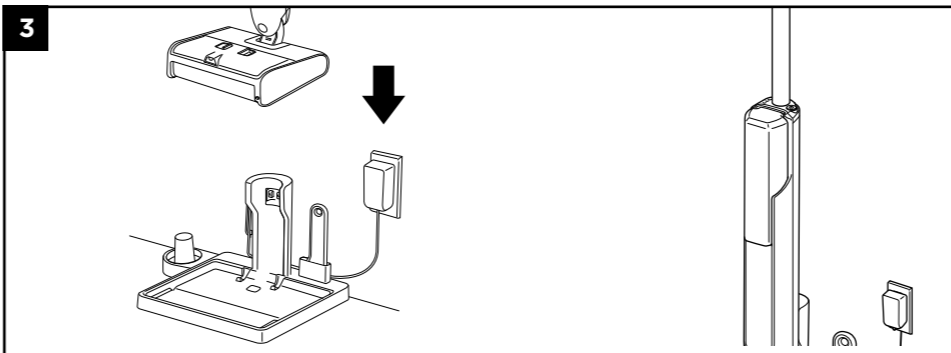
15. **DO NOT** use if Hydro Duo is not working as it should, or has been dropped, damaged, left outdoors, or dropped into water.
16. Use extra care when cleaning on stairs.
17. **DO NOT** leave the Hydro Duo unattended while powered on.
18. **DO NOT** place Hydro Duo on unstable surfaces such as chairs or tables.
19. **DO NOT** use to pick up:
 - a. Large objects
 - b. Hard or sharp objects (nails, screws, or coins)
 - c. Large quantities of dust (e.g., drywall dust).
 - d. Smoking or burning objects (hot coals, cigarette butts, or matches)
 - e. Flammable or combustible materials
 - f. Toxic materials (chlorine bleach, ammonia, or drain cleaner)
20. **DO NOT** use in the following areas:
 - a. Poorly lit areas
 - b. Outdoor areas
 - c. Spaces that are enclosed and may contain explosive or toxic fumes or vapors (lighter fluid, gasoline, kerosene, paint, paint thinners, mothproofing substances, or flammable dust)
21. Turn off the Hydro Duo before any adjustment, cleaning, maintenance or troubleshooting.
22. During cleaning or routine maintenance, **DO NOT** cut anything other than hair, fibers, or string wrapped around the brushroll.
23. Allow all filters to air-dry completely before reinstalling them to prevent liquid from being drawn into electric parts.
24. Use only Shark brand cleaning fluids intended for use with this

- appliance to prevent internal component damage.
- BATTERY PACK**
25. The battery is the power source for the Hydro Duo. Carefully read and follow all charging instructions.
 26. To prevent unintentional starting, ensure the appliance is powered off before picking up or carrying it. **DO NOT** carry the appliance with your finger on the power switch.
 27. Use only with charger Yinli YLS0056E-T096050 or E-TEK ZD006C096050USE. Use of an incorrect charger may result in no charging, and/or unsafe conditions.
 28. The battery pack is non-serviceable. Call Contact Shark Customer Service with any questions and concerns.
 29. Under abusive conditions, liquid may be ejected from the battery. Avoid contact with this liquid, as it may cause irritation or burns. If contact occurs, flush with water. If liquid contacts eyes, seek medical help.
 30. Battery should not be stored at temperatures below 37.4° F (3° C) or above 104° F (40° C) to maintain long-term battery life.
 31. **DO NOT** charge battery at temperatures below 40° F (5° C) or above 104° F (40° C). Charging improperly or at temperatures outside of the specified range may damage the battery and increase the risk of fire.
 32. Store the appliance indoors. **DO NOT** use or store it below 37.4° F (3° C). Ensure the appliance is at room temperature before operating.
 33. **DO NOT** expose the battery to fire or temperatures above 265° F (130° C) as it may cause explosion.

ASSEMBLY



1. Align the **Pole** with the opening in the Main Body and insert firmly until it clicks into place.
2. Place the **Charging Dock** on the floor near a wall outlet and plug in the cord.



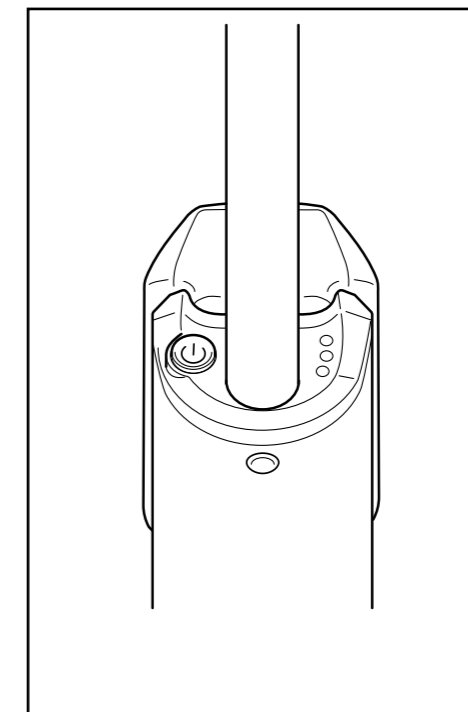
3. Charge the unit by placing it on the **Charging Dock**. Make sure the contacts on the body are aligned with the contacts on the charging dock. The LEDs on the main body will illuminate when charging begins.

Note: To detach the handle, press the release button on the back of the unit and lift off the handle.

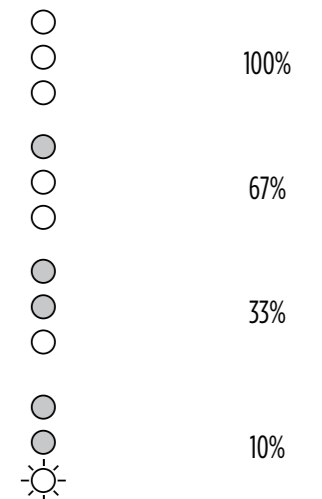
CHARGING YOUR HYDRO DUO

Prior to first use, charge the battery completely. A full charge takes approximately 4 hours.

LED BATTERY POWER AND CHARGING INDICATOR



BATTERY LEVEL (In Use/While Charging)

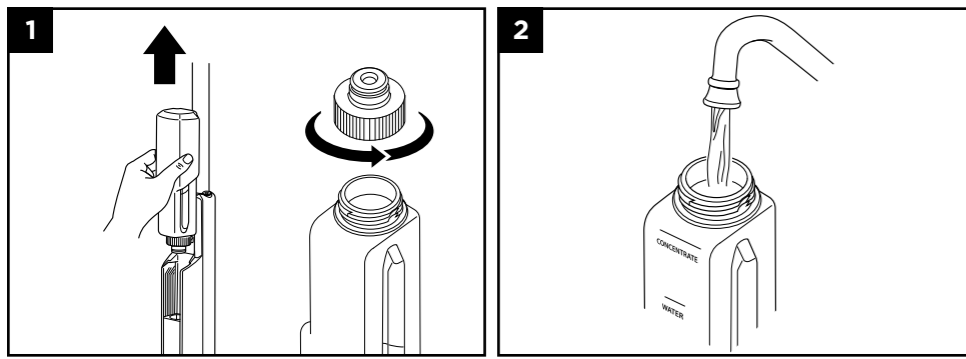


When the unit is fully charged, LEDs will turn off.
LEDs will display the remaining battery level when the unit is in the upright locked position. Unit will shut off after 2 minutes.

Note: When the unit is docked, the charging lights on the main body will blink, indicating that charging has begun.

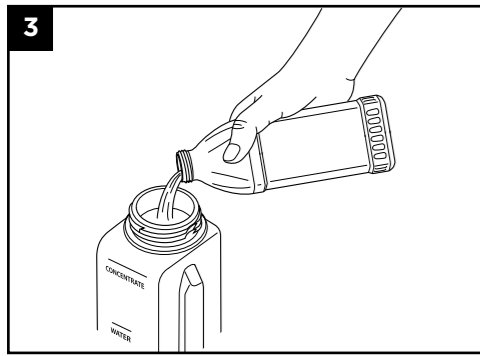
PRODCUT USE: (REFER TO NEXT PAGE) →

PREPARING FOR USE

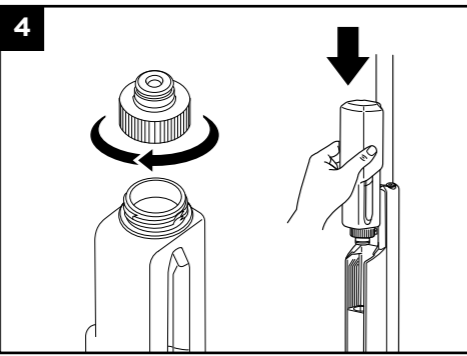


1. Pull out clean solution tank and unscrew cap.

2. Fill with water to **WATER** fill line.



3. Pour Shark Hard Floor Multi-Surface Concentrate to **CONCENTRATE** line.



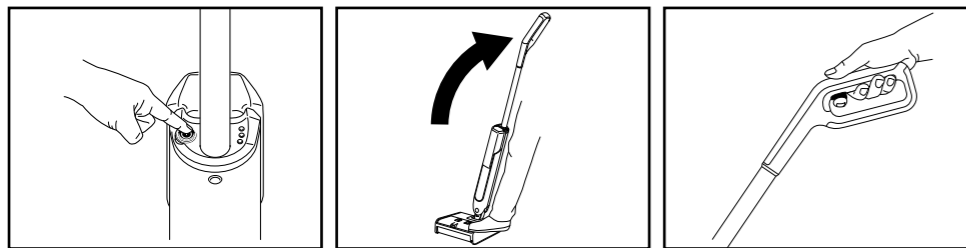
4. Screw on the cap and reinsert the tank until it clicks into place.

NOTE: Be sure to not overfill the clean solution tank with more Shark Hard Floor Multi-Surface Concentrate than instructed, as this may cause streaking and foaming.

NOTE: Without sufficient water supply in the clean solution tank, Hydro Duo will not spray.

NOTE: DO NOT use with vinegar or other household cleaners other than Shark Hard Floor Multi-Surface Concentrate.

USING YOUR HYDRO DUO



1. Press the Power button.

2. Lower the handle to activate the brushroll and debris illumination light.

3. Press the trigger to spray.

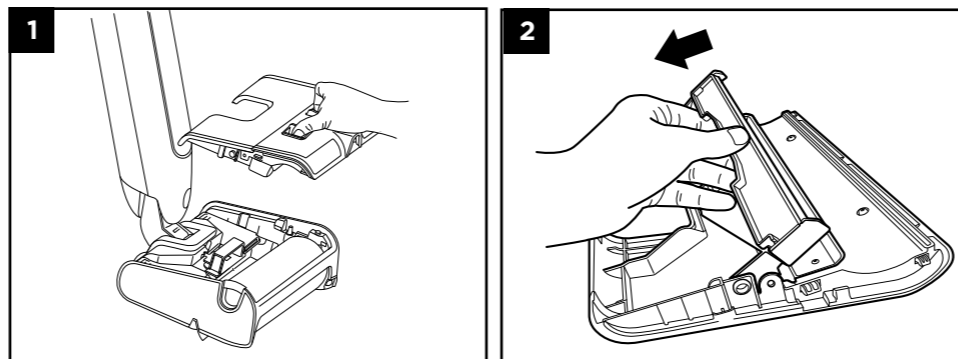
CLEANING TIPS

Floor Types	Only use on sealed hard floors such as laminate, tile, hardwood, vinyl, stone, and marble.
Dry Debris	Run the floor nozzle over the targeted area, using the dirt reveal technology to identify fine debris. If debris is not picked up, press and hold the spray trigger for one second, then run the floor nozzle over the mess again.
Wet Debris Wet Spills	Slowly run the floor nozzle over wet messes. Do not press the spray trigger. Repeat until wet mess is picked up.
Mopping	For wet cleaning, press and hold the trigger for one full pass every 3 to 5 passes. Apply more solution if needed.
Stain Cleaning	For best practice, make sure the brushroll is fully saturated. Follow the same instructions as for Mopping above. Dry stain: For best cleaning, hold the trigger to spray the stain until fully saturated, and let soak for 10 seconds. Run the floor nozzle slowly over the stain. Spray with every pass, making sure to spray ONLY on the stain. Repeat until the stain is gone. Sticky or thick stain: For best cleaning, hold the trigger to spray the stain until fully saturated, and let soak for 10 seconds. Run the floor nozzle slowly over the stain several times. Spray with every pass, making sure to spray ONLY on the stain. Hold the nozzle in place over the stain with the brushroll spinning. Repeat until the stain is gone.

Note: If your floors are cloudy, streaky, or spotty after cleaning, it may be due to accumulated soap or grease residue. The floor may require several cleanings.

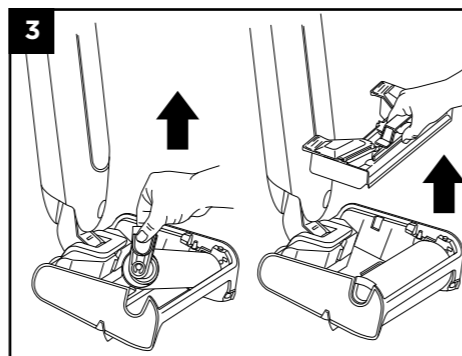
Note: When edge cleaning, use the left and right sides of the floor nozzle for maximum pickup.

MAINTAINING YOUR HYDRO DUO



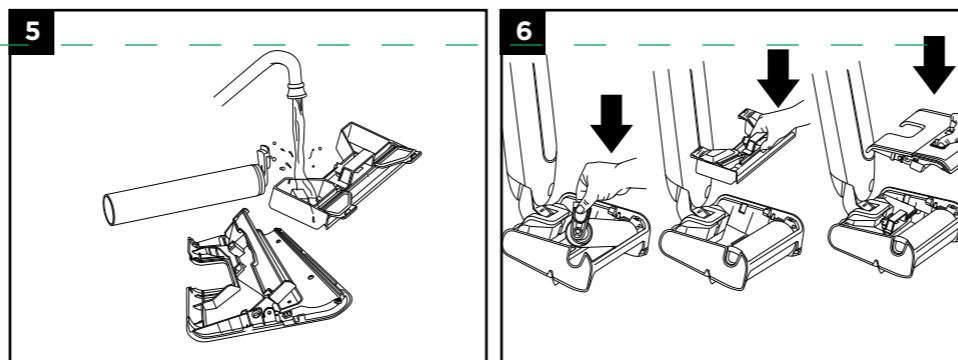
1. Remove the **Nozzle Cover**: Press both tabs and lift off the cover.

2. Hold the cover over a sink or trash bin, then carefully turn it over to dump out waste. Pull back the **Debris Plate** to clean off any remaining liquid and debris.



3. Grip the side tab and lift out the **Brushroll**, then remove the **Debris Holder** by pulling up on the handle.

4. First, dump out solid waste (**fig. 1**) then open the pull tab and pour out liquid waste (**fig. 2**).



5. Rinse all parts with warm water and soap. Set out all attachments to air-dry for 24 hours. Wipe any debris off the inside of the nozzle.

6. Insert all parts securely back into unit. Make sure brushroll, debris holder, and nozzle cover all click securely into place.

NOTE: These parts are NOT dishwasher safe OR washing machine safe.

ERROR MESSAGES

LIQUID CHAMBER IN DEBRIS HOLDER IS FULL	COVER NOT ATTACHED	BRUSHROLL JAM
<p>Alternative blinking WHITE and RED (all lights)</p>	<p>Alternating blinking WHITE and RED</p>	<p>SOLID RED (No Blinking)</p>

CHECKING FOR BLOCKAGES

If you run over a hard or sharp object or notice a noise change while using your unit, check for blockages or objects caught in the brushroll, nozzle chamber, or debris holder.

1. Turn off the power.
2. Remove the nozzle cover, brushroll, and debris holder.
3. Check the openings and remove all debris.
4. When finished, reinstall the brushroll, debris holder, and nozzle cover.

TROUBLESHOOTING

PROBLEM	POSSIBLE REASONS AND SOLUTIONS
Messes are not being picked up.	The debris holder might be full. Remove debris holder and dispose of all waste. Discard all waste from the debris holder and brushroll. Make sure to clear any blockages in the tank and floor nozzle openings. If messes are still not being picked up, spray the mess with cleaning solution and try again.
Inconsistent spray or no spray.	Make sure the unit is powered on. Make sure the clean solution tank is full. Make sure the clean solution tank is installed correctly. Check if anything might be blocking the spray nozzle.
Floors are cloudy, streaky, or spotty after cleaning.	The brushroll might be dirty. Remove brushroll and clean it with warm water and soap. Due to accumulated soap or grease residue, the floor may require several cleanings. Overfilling the clean solution tank with too much concentrate may cause streaking or foaming. Empty the tank and refill with the correct ratios.
It's hard to push or pull the mop.	Clear all blockages and debris from the brushroll, debris holder, and floor nozzle. Remove any debris that may be blocking the wheels. The brushroll may be dirty. Remove the brushroll and clean it with warm water and soap.
The unit is not powering on.	Make sure the unit is fully charged. If unit is not responding, place it on the charging dock. Ensure the wall outlet is working properly. Check for error messages and resolve any issues. The unit will not function in error mode.
Debris illumination light not working.	Check that the unit has power. Make sure there is no liquid or debris blocking the lenses. Wipe the lenses clean with a microfiber cloth. If this is still not working, contact Customer Service.
Incorrect Debris Holder Full error message	Thoroughly wash the debris holder chamber and float sensor.

ORDERING REFILLS AND PARTS

Replace the brushroll every 6 months. Only use Shark Hard Floor Multi-Surface Concentrate or water with the Shark Hydro Duo. To order brushrolls, Shark Hard Floor Multi-Surface Concentrate, or other parts and accessories, please visit sharkclean.com or scan the QR code.



Shark NINJA

THREE (3) YEAR LIMITED WARRANTY

The Three (3) Year Limited Warranty applies to purchases made from authorized retailers of SharkNinja Operating LLC. Warranty coverage applies to the original owner and to the original product only and is not transferable. SharkNinja warrants that the unit shall be free from defects in material and workmanship for a period of one (1) year from the date of purchase when it is used under normal household conditions and maintained according to the requirements outlined in the Owner's Guide, subject to the following conditions and exclusions:

What is covered by this warranty?

1. The original unit and/or non-wearable parts deemed defective, in SharkNinja's sole discretion, will be repaired or replaced up to one (1) year from the original purchase date.
2. In the event a replacement unit is issued, the warranty coverage ends six (6) months following the receipt date of the replacement unit or the remainder of the existing warranty, whichever is later. SharkNinja reserves the right to replace the unit with one of equal or greater value.

What is not covered by this warranty?

1. Normal wear and tear of wearable parts (such as Shark Concentrate, Pad, etc.), which require regular maintenance and/or replacement to ensure the proper functioning of your unit, are not covered by this warranty. Replacement parts are available for purchase at sharkaccessories.com.
2. Any unit that has been tampered with or used for commercial purposes.
3. Damage caused by misuse, abuse, negligent handling, failure to perform required maintenance, or damage due to mishandling in transit.
4. Consequential and incidental damages.
5. Defects caused by repair persons not authorized by SharkNinja. These defects include damages caused in the process of shipping, altering, or repairing the SharkNinja product (or any of its parts) when the repair is performed by a repair person not authorized by SharkNinja.
6. Products purchased, used, or operated outside North America.

How to get service

If your appliance fails to operate properly while in use under normal household conditions within the warranty period, see the Troubleshooting section of this Owner's Guide for possible solutions. For more help, visit sharkclean.com/support to use our online self-help tools. Our Customer Service Specialists are also available at 1-800-798-7398 to assist with product support and warranty service options, including the possibility of upgrading to our VIP warranty service options for select product categories. So we may better assist you, please register your product online at registeryourshark.com and have the product on hand when you call. SharkNinja will cover the cost for the customer to send in the unit to us for repair or replacement. A fee of \$25.95 (subject to change) will be charged when SharkNinja ships the repaired or replacement unit.

How to initiate a warranty claim

You must call 1-800-798-7398 to initiate a warranty claim. You will need the receipt as proof of purchase. We also ask that you register your product online at registeryourshark.com and have the product on hand when you call, so we may better assist you. A Customer Service Specialist will provide you with return and packing instruction information.

How state law applies

This warranty gives you specific legal rights, and you also may have other rights that vary from state to state. Some states do not permit the exclusion or limitation of incidental or consequential damages, so the above may not apply to you.

TECHNICAL SPECIFICATIONS:

Voltage: 9.6V

Water Capacity: 420mL (14.2oz)

© 2024 SharkNinja Operating LLC.

SHARK is a registered trademark of SharkNinja Operating LLC.

This product may be covered by one or more U.S. patents.

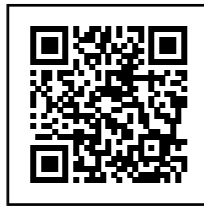
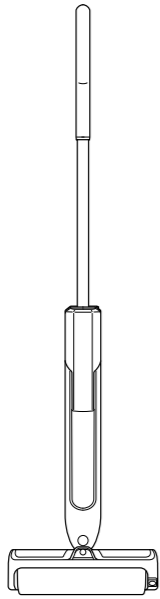
See sharkninja.com/patents for more information.

WW200Cseries_IB_MP_Mv5

Shark HYDRODUO

SYSTÈME DE NETTOYAGE SEC ET HUMIDE POUR SOLS DURS

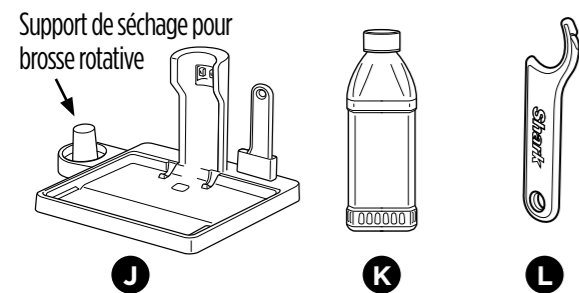
Série
WW200C



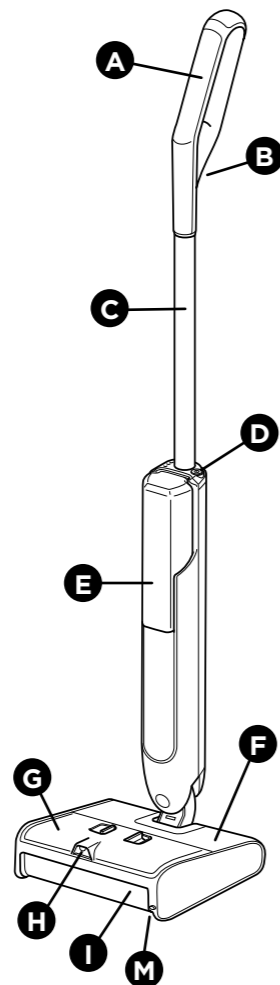
Pour visionner des
VIDÉOS PRATIQUES,
balayez le code QR.

CE QUI EST INCLUS

- A** Poignée
- B** Gâchette de pulvérisation
- C** Tige
- D** Bouton d'alimentation
- E** Réservoir de solution nettoyante
- F** Porte-débris
- G** Couvercle de la buse
- H** Buse de vaporisation
- I** Brosse rotative
- J** Station de recharge
- K** Concentré multisurface Shark® pour sols durs
- L** Outil de nettoyage pour brosse rotative
- M** Éclairage des débris



Remarque : Tous les accessoires ne sont pas fournis avec tous les modèles et peuvent varier selon le modèle. Pour en savoir plus, visitez le site www.sharkclean.com.



CONSIGNES DE SÉCURITÉ IMPORTANTES - POUR UN USAGE DOMESTIQUE UNIQUEMENT

CONSERVEZ CES INSTRUCTIONS.

LISEZ TOUTES LES INSTRUCTIONS AVANT D'UTILISER CE NETTOYEUR.

Cet appareil est doté d'une fiche polarisée (une broche est plus large que l'autre). Par mesure de sécurité, cette fiche s'insère dans une prise polarisée dans un seul sens. Si la fiche ne peut être complètement insérée dans la prise de courant, essayez dans l'autre sens. Si le problème persiste, communiquez avec un électricien qualifié. **NE tentez PAS de contourner cette mesure de sécurité. Il n'est pas recommandé d'utiliser un cordon prolongateur avec ce produit.**

⚠ AVERTISSEMENT

Pour réduire les risques d'incendie, d'électrocution ou de blessures :

AVERTISSEMENTS GÉNÉRAUX : LORSQUE VOUS UTILISEZ VOTRE APPAREIL SHARK® HYDRO DUO, VOUS DEVEZ TOUJOURS RESPECTER LES MESURES DE SÉCURITÉ DE BASE, NOTAMMENT :

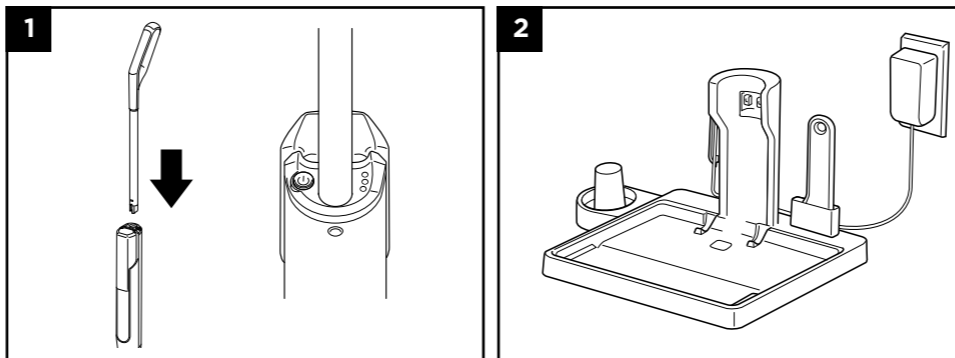
1. Si la fiche d'alimentation ne s'insère pas à fond dans la prise de courant, inversez alors le sens de la fiche. Si le problème persiste, communiquez avec un électricien qualifié. **NE forcez PAS** la fiche dans la prise de courant et ne tentez pas de la modifier pour l'adapter.
2. Pour réduire les risques de décharge électrique et de mise en marche involontaire, éteignez l'appareil avant toute réparation.
3. Ce système Hydro Duo est constitué d'une buse motorisée, d'une tige, d'un corps principal et d'une poignée. Ces composants comprennent des connexions électriques, un câblage électrique et de pièces mobiles qui présentent un risque pour l'utilisateur.
Avertissement : Ne modifiez pas et ne tentez pas de réparer l'appareil, sauf dans les cas indiqués dans les instructions d'utilisation et d'entretien.
4. Avant chaque utilisation, assurez-vous qu'aucune pièce n'est endommagée. Si une pièce est endommagée, cessez d'utiliser l'appareil.
5. Utilisez uniquement des pièces de rechange identiques. N'utilisez que les pièces conçues pour ce produit.
6. Utilisez l'appareil uniquement comme décrit dans ce guide. **N'utilisez PAS** l'appareil Hydro Duo pour un autre usage que ceux décrits dans ce manuel.
7. **N'immergez PAS** l'appareil et **NE vaporisez PAS** d'eau sur son corps principal. Pour le nettoyer, essuyez-le avec un chiffon sec.
8. Maintenez l'appareil et son cordon hors de la portée des enfants. Ne laissez pas les enfants se servir de l'appareil. Ne permettez pas qu'il soit utilisé comme jouet. Une surveillance étroite est nécessaire lorsque l'appareil est utilisé en présence d'enfants.
9. Cet appareil n'est pas destiné à être utilisé par des personnes dont les capacités physiques, sensorielles ou intellectuelles sont réduites, ou par des personnes manquant d'expérience et de connaissances, à moins qu'elles ne soient sous surveillance ou qu'elles aient reçu des instructions quant à l'utilisation sécuritaire de l'appareil et qu'elles comprennent les dangers en cause. Le nettoyage et l'entretien par l'utilisateur ne doivent pas être effectués par des enfants.
10. **NE manipulez PAS** la fiche du cordon d'alimentation ou l'appareil Hydro Duo avec des mains mouillées.
11. **NE** l'utilisez **PAS** sans que le porte-débris, le réservoir de solution nettoyante, le filtre et le couvercle de la brosse rotative ne soient en place.
12. Utilisez uniquement des accessoires de la marque Shark®.
13. **N'insérez AUCUN** objet dans les ouvertures de la buse. **N'utilisez PAS** l'appareil si l'une de ses ouvertures est obstruée; gardez ces dernières libres de poussière, de peluches, de poils et de cheveux ou de tout autre élément pouvant réduire l'aspiration.
14. Gardez la buse et toutes les ouvertures à l'écart des cheveux, du visage, des doigts, des pieds découverts et des vêtements amples.

15. **N'utilisez PAS** l'appareil Hydro Duo s'il ne fonctionne pas comme il le devrait, ou s'il est tombé, endommagé, est resté à l'extérieur ou est tombé dans l'eau.
16. Faites preuve d'une grande prudence lorsque vous l'utilisez dans les escaliers.
17. **NE** laissez **PAS** l'appareil Hydro Duo sans surveillance lorsqu'il est sous tension.
18. **NE** placez **PAS** l'appareil Hydro Duo sur des surfaces instables, comme des chaises ou des tables.
19. **N'utilisez PAS** l'appareil pour aspirer :
 - a. des objets de grande taille;
 - b. des objets durs ou tranchants (verre, dous, vis ou pièces de monnaie);
 - c. de grandes quantités de poussière (p. ex., poussière de cloison sèche);
 - d. des objets fumants ou brûlants (charbons ardents, mégots de cigarettes, allumettes);
 - e. des matières inflammables ou combustibles;
 - f. des matières toxiques (eau de Javel, ammoniacale ou produit débouchant).
20. **NE** l'utilisez **PAS** dans les zones suivantes :
 - a. Endroits faiblement éclairés
 - b. À l'extérieur
 - c. Espace fermé pouvant contenir des fumées ou des vapeurs explosives ou toxiques (essence à briquet, essence, kérosène, peinture, diluants pour peinture, produits de traitement antimite ou poussière inflammables).
21. Éteignez l'appareil Hydro Duo avant d'effectuer tout réglage, nettoyage, entretien ou dépannage.
22. Lors du nettoyage ou de l'entretien de routine, **NE** coupez **AUCUNE** matière autre que des cheveux, des fibres ou de la ficelle enroulés autour de la brosse rotative.
23. Laissez tous les filtres sécher complètement à l'air avant de les réinstaller afin d'éviter que du liquide n'entre en contact avec les pièces électriques.
24. Utilisez uniquement des produits nettoyants liquides de la marque Shark conçus pour cet appareil afin d'éviter d'endommager les composants internes.

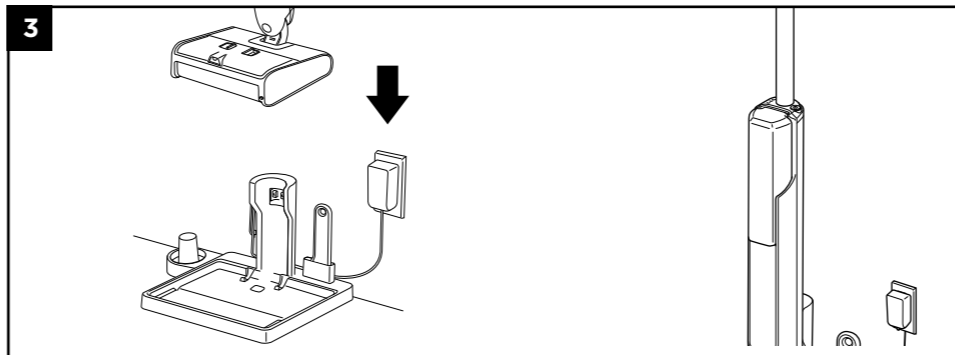
BATTERIE

25. La batterie est la source d'alimentation de l'appareil. Lisez et suivez attentivement toutes les directives de recharge.
26. Pour éviter tout démarrage involontaire, assurez-vous que l'appareil est éteint avant de le saisir ou de le transporter. **NE** transportez **PAS** l'appareil avec votre doigt sur l'interrupteur.
27. Utilisez-le uniquement avec le chargeur Yiniu YLS0056E-T096050 ou E-TEK ZD006C096050USE. L'utilisation d'un autre chargeur peut entraîner l'absence de charge ou de conditions dangereuses.
28. La batterie n'est pas réparable. Pour toute question ou préoccupation, contactez le service à la clientèle de Shark.
29. En cas d'usage abusif, du liquide peut s'échapper de la batterie. Évitez tout contact avec ce liquide, car il peut provoquer des irritations ou des brûlures. Rincez à l'eau courante toute partie du corps ayant été en contact avec ce liquide. En cas de contact du liquide avec les yeux, consultez un médecin.
30. La batterie ne doit pas être entreposée à des températures inférieures à 37,4°F (3°C) ou supérieures à 104°F (40°C) afin de garantir une autonomie de batterie de longue durée.
31. **NE** chargez **PAS** la batterie à des températures inférieures à 40°F (5°C) ou supérieures à 104°F (40°C). Une recharge effectuée incorrectement ou à des températures en dehors de la plage spécifiée peut endommager la batterie et augmenter le risque d'incendie.
32. Rangez l'appareil à l'intérieur. **N'utilisez PAS** ou **NE** rangez **PAS** l'appareil à des températures inférieures à 37,4°F (3°C). Assurez-vous que l'appareil est à température ambiante avant de l'utiliser.
33. **N'exposez PAS** la batterie au feu ou à des températures supérieures à 265°F (130°C), car cela pourrait provoquer une explosion.

ASSEMBLAGE



1. Alignez la tige avec l'ouverture du corps principal et insérez-la fermement jusqu'à ce qu'elle se fixe en place.
2. Placez la station de recharge sur le sol, près d'une prise de courant murale et branchez le cordon d'alimentation.



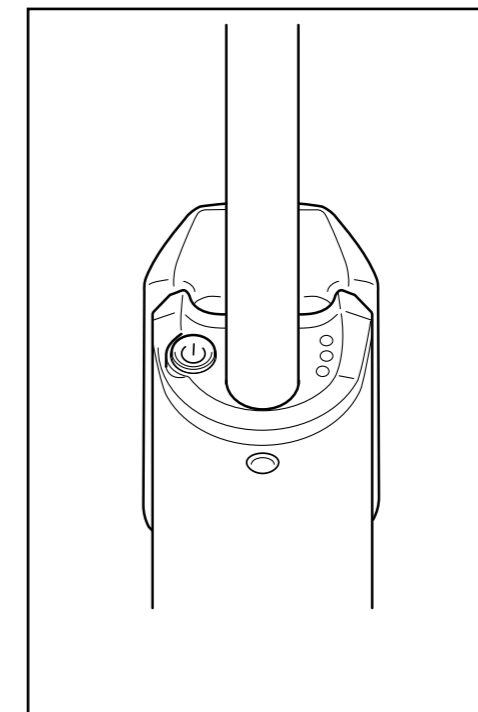
3. Chargez l'appareil en le plaçant sur la station de recharge. Assurez-vous que les contacts du corps de l'appareil sont alignés avec ceux de la station de recharge. Les voyants du corps principal s'allument lorsque la recharge est en cours.

Remarque : Pour détacher la poignée, appuyez sur le bouton de dégagement situé à l'arrière de l'appareil et soulevez-la.

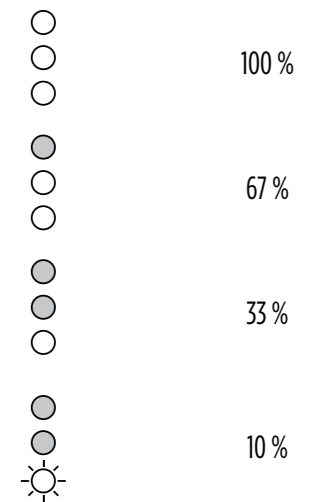
RECHARGE DE VOTRE APPAREIL HYDRO DUO

Avant la première utilisation, chargez la batterie complètement. Une recharge complète prend environ 4 heures.

VOYANTS À DEL INDICATEURS DE L'ALIMENTATION ET DE LA RECHARGE DE LA BATTERIE



NIVEAU DE LA BATTERIE (en cours d'utilisation/pendant la recharge)



Lorsque l'appareil est complètement rechargé, le voyant s'éteint.
Les voyants affichent le niveau de batterie restant lorsque l'appareil est en position verticale verrouillée. L'appareil s'éteindra après 2 minutes.

Remarque : Lorsque l'appareil est installé sur la station, les voyants de recharge sur le corps principal clignotent, indiquant que la recharge a commencé.

UTILISATION DU PRODUIT : (VOIR LA PAGE SUIVANTE) ➔

