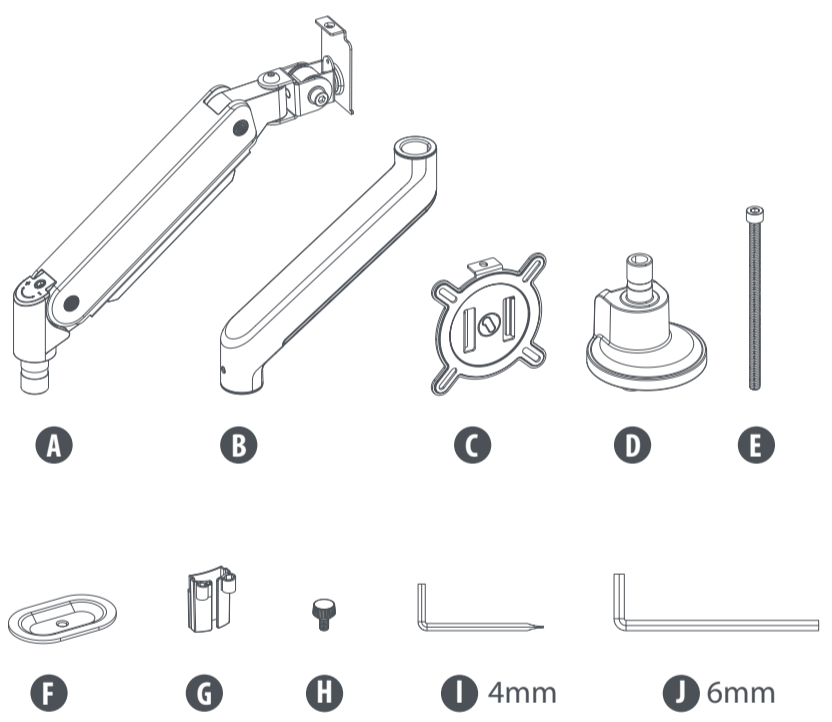
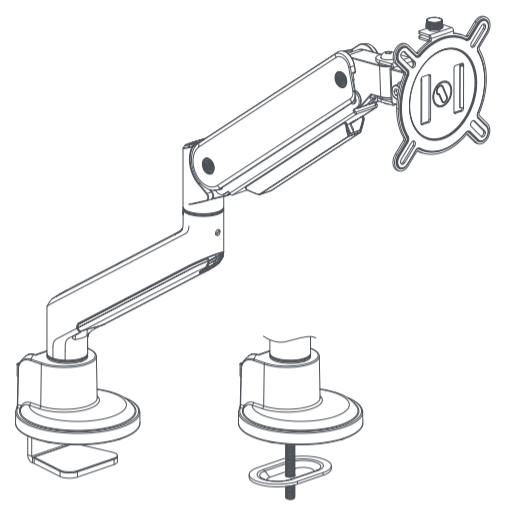




Universal
100 x 100 max



Package M

- M-A 4 x M4x12mm
- M-B 4 x M4x16mm
- M-C 4 x M5x12mm
- M-D 4 x M5x16mm
- M-E 4 x D5
- M-F 4 x ø15xø8x5mm

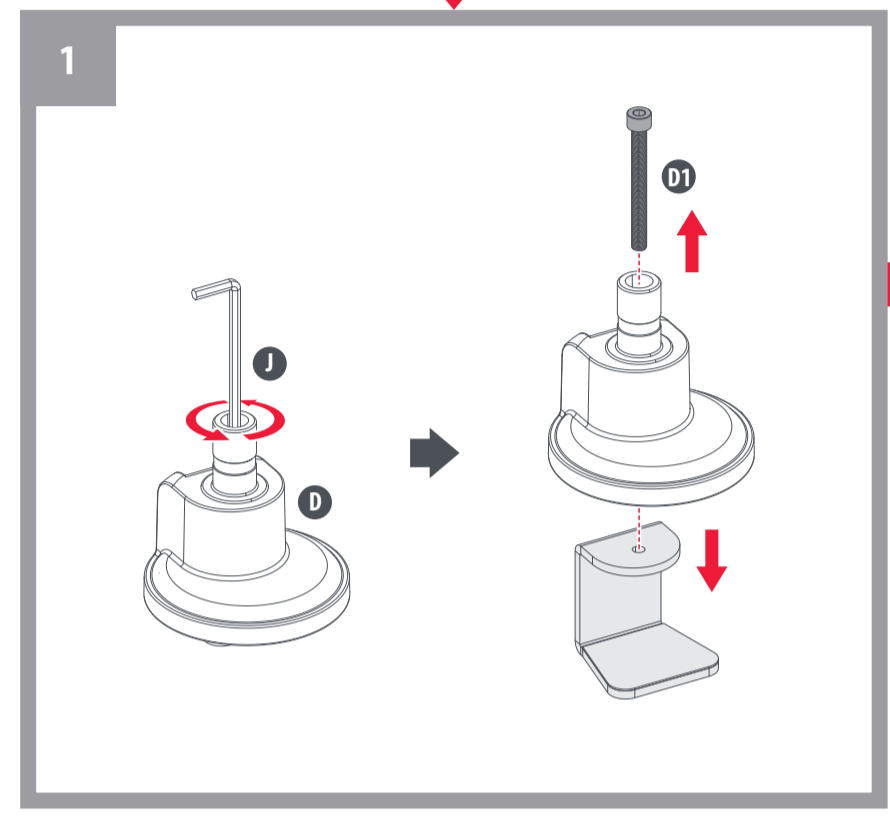
Separate the waste
Differenzia i Rifiuti



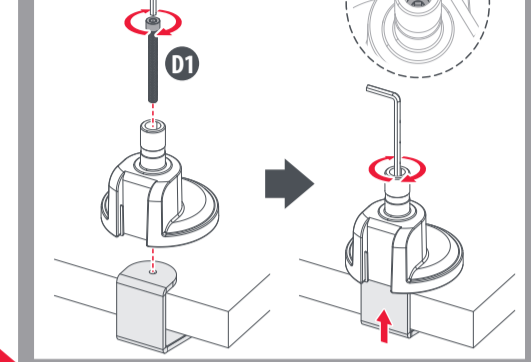
<http://www.oneforall.com/documents>

Universal Electronics B.V. - Europe & International
P.O. Box 3332, 7500 DH Enschede
The Netherlands
RDN-1.230424

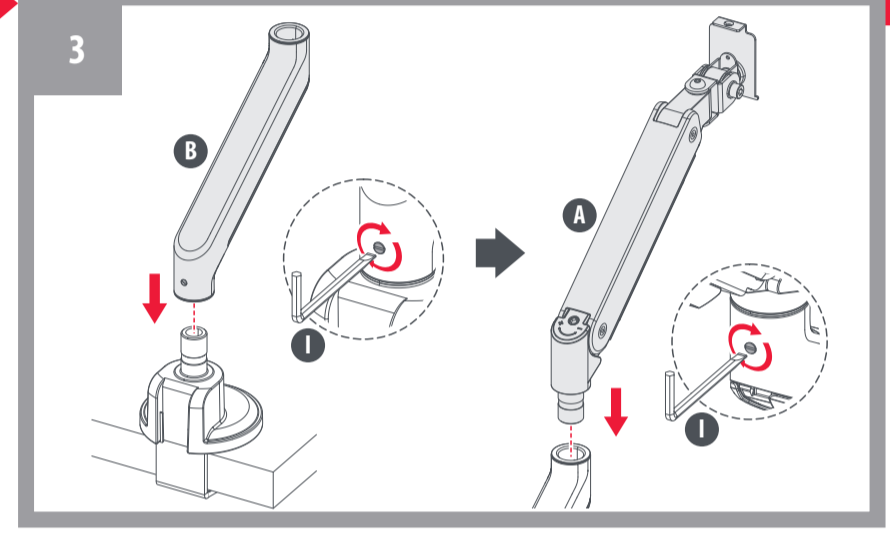
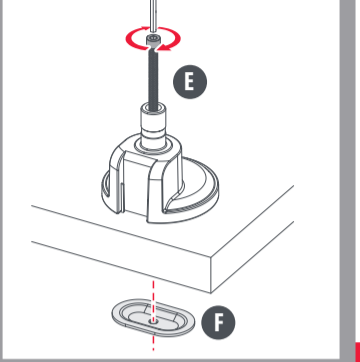
START



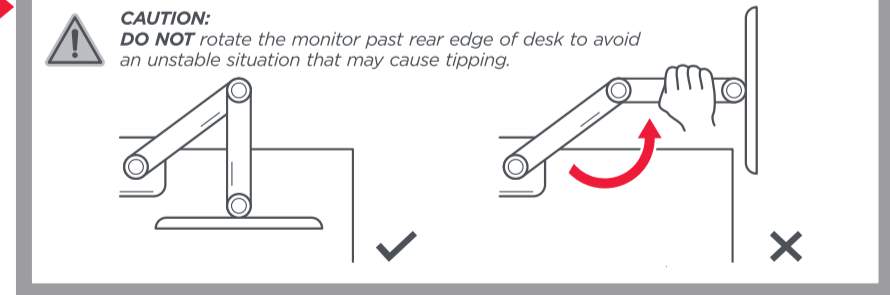
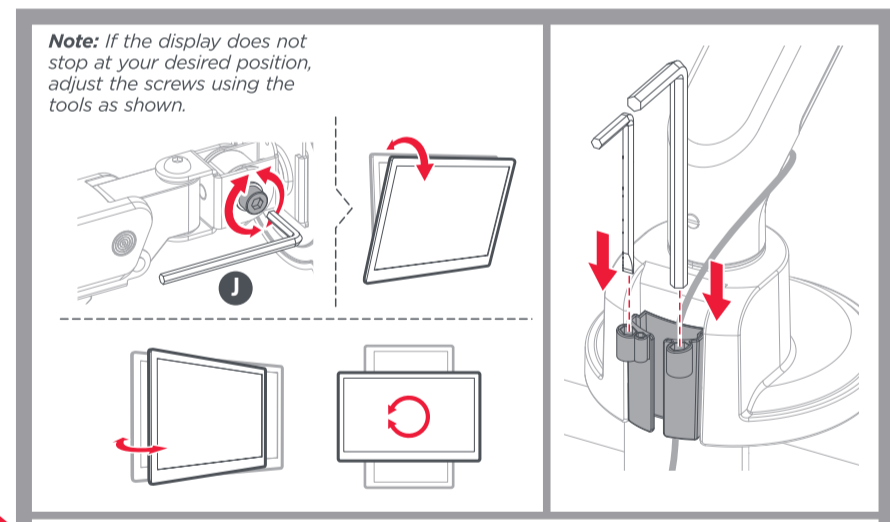
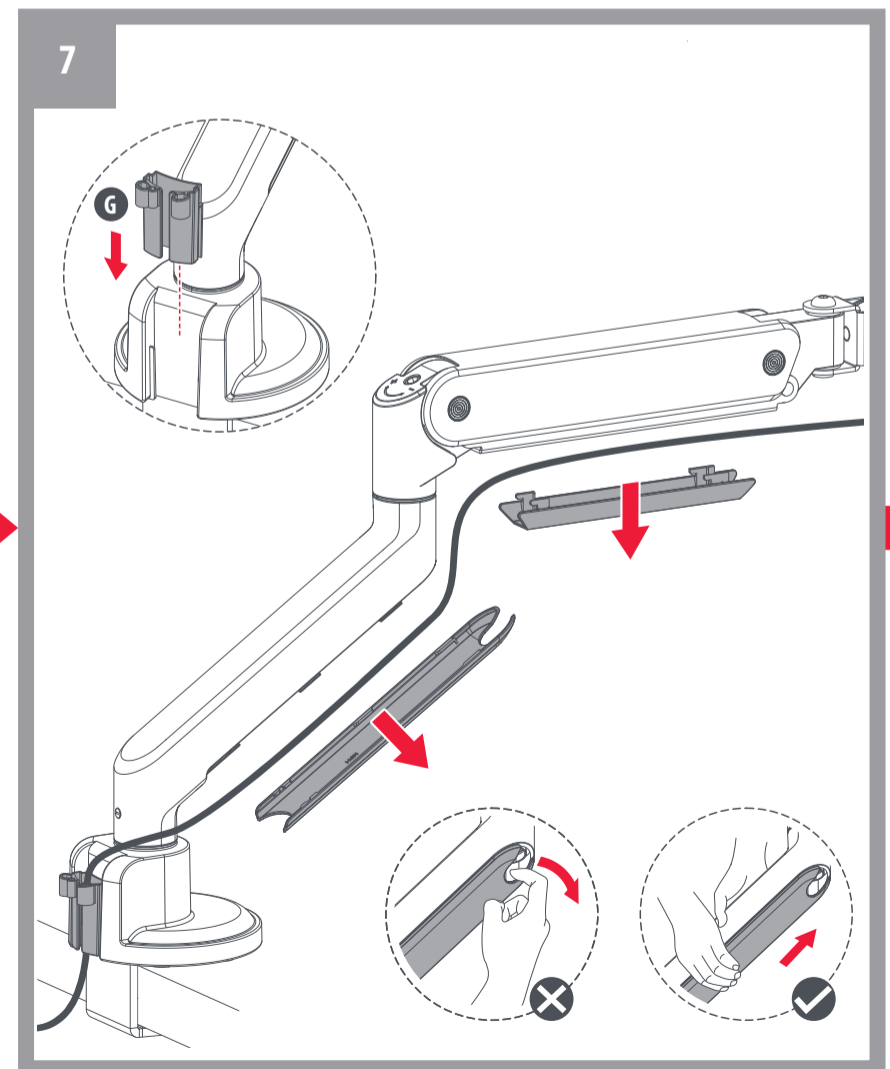
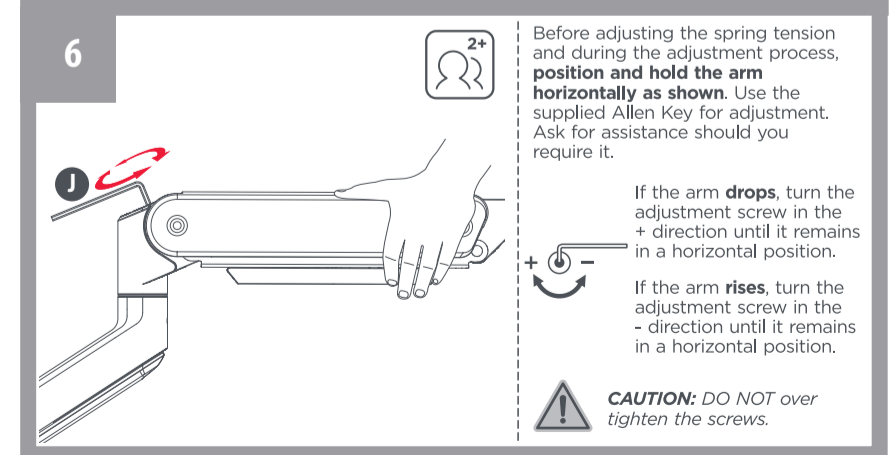
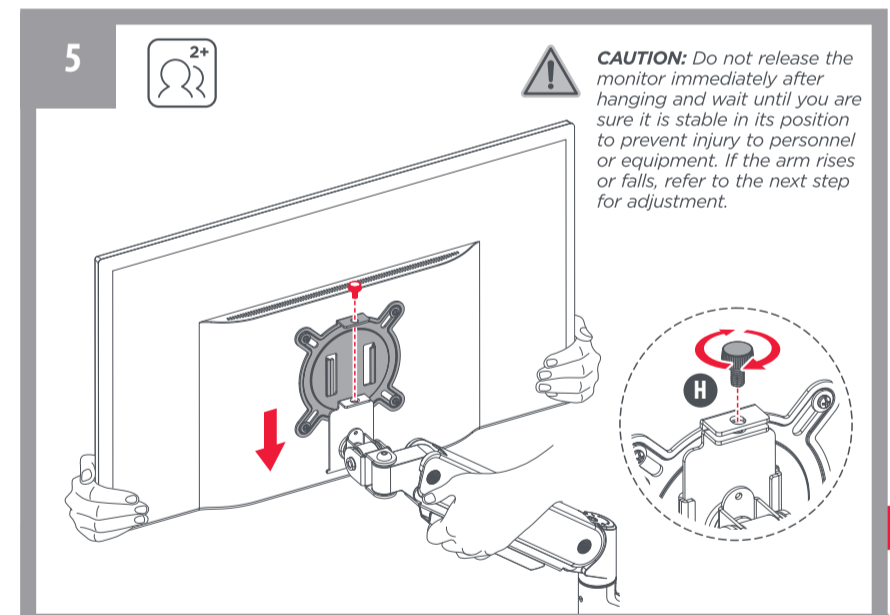
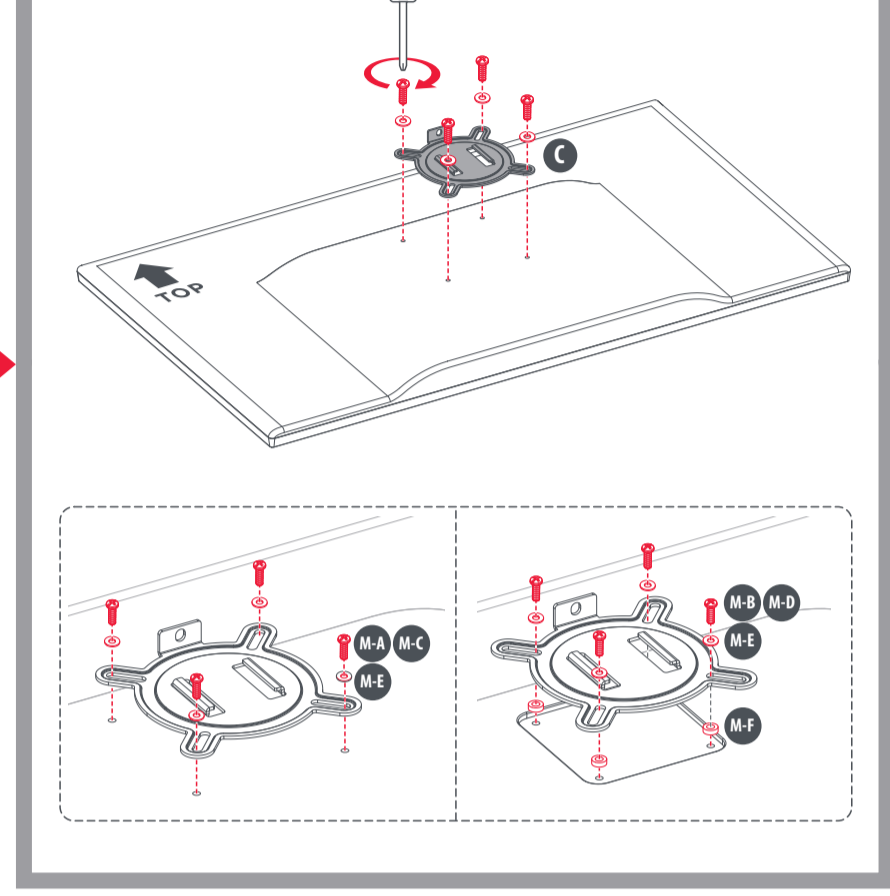
2a CLAMP INSTALLATION
for 10-50mm thickness desks



2b GROMMET INSTALLATION
for 10-50mm thickness desks
& Ø10-60mm installation holes



4



FINISH