

PRODUCT FEATURES:

- Smart-Play Integration system allows connection of Android and other phones to the GM infotainment system.
- Made for Android Auto and CarPlay.
- Adds front and rear aftermarket camera inputs.
- Retains functionality of the OEM backup camera if present.
- Front camera automatically shows on the screen after changing the gear from reverse to drive.
- Forced view function for front and aftermarket rear camera.

PARTS INCLUDED:



ACPGM-80N Module



Power Harnesses



Smartphone Interface Module



USB Extension Cable



4K HDMI Cable



Microphone



LVDS Video Cable



3.5mm Aux Cable



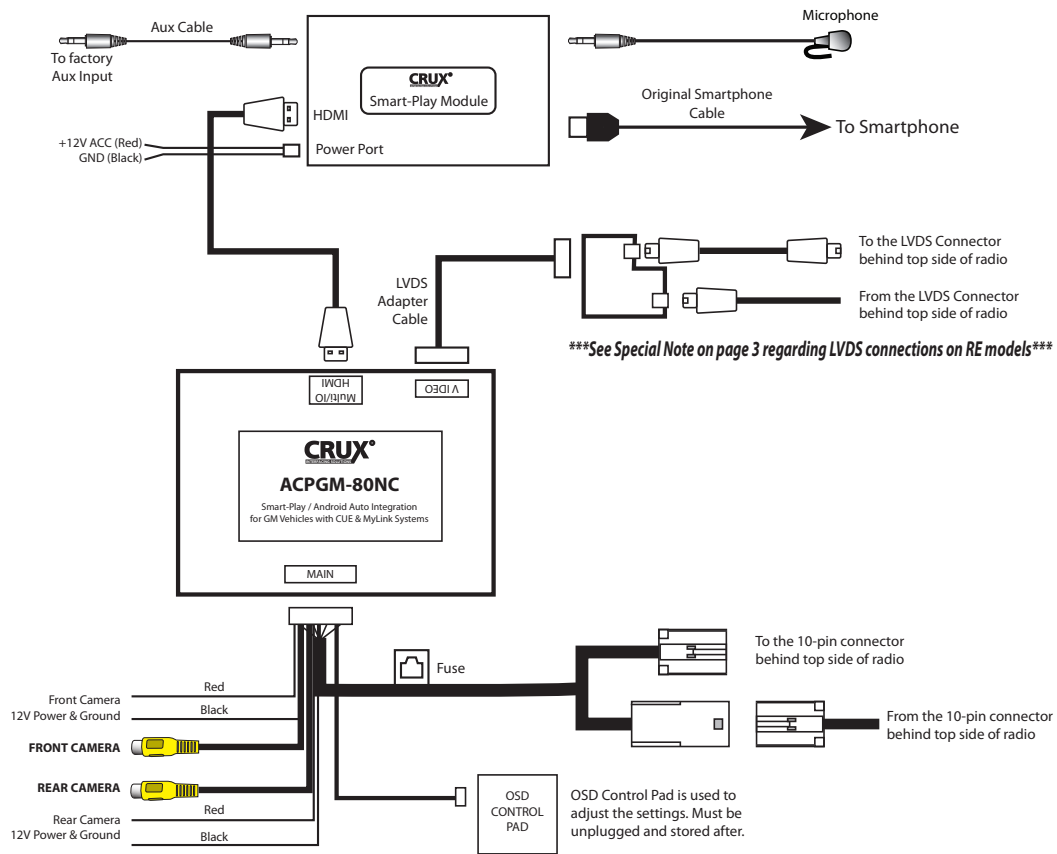
Smart-Play Module Power Harness



OSD Controller



WIRING DIAGRAM:



DIP SWITCH SETTINGS:



DIP	SETTING	VEHICLE
1 to 8	ALL UP	Malibu and Volt
1	DOWN	Corvette C7
2	DOWN	Escalade, CTS-V
3	UP	No Function
4	DOWN	Cruze (with 8" screen)
5	DOWN	Cadillac XT5
6	DOWN	Impala, Suburban, Tahoe, Yukon, Sierra, Acadia, Silverado, Yukon (with RSE)
7	DOWN	Suburban (with RSE), Tahoe (with RSE)
1 & 5	DOWN	Colorado
2 & 5	DOWN	Escalade, CTS, CTS-V, SRX (with no OEM front camera)

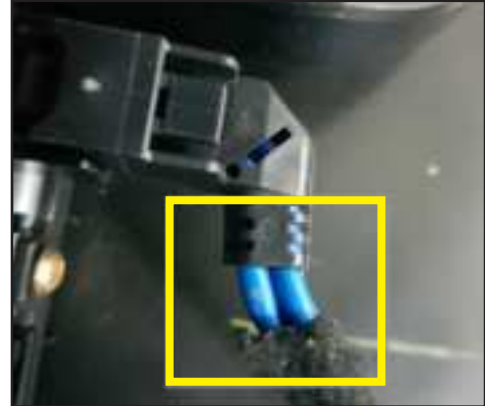
RSE = Rear Seat Entertainment



INSTALLATION INSTRUCTIONS:

Suburban, Tahoe, Yukon with Rear Seat Entertainment (RSE) wiring connections:

Suburban, Tahoe, Yukon models with Rear Seat Entertainment Systems have 2 LVDS cables on the back of the radio.



Plug and play connections behind the top side of the radio.



On RE models, the power harness is plugged in behind the headunit but the LVDS cable is plugged in at the HMI module (usually found behind the glove box).



Connection is made on the blue LVDS connector on the HMI module.



SPECIAL NOTE:

On Impala and Suburban, Tahoe, Yukon models with Rear Seat Entertainment Systems, the LVDS cable connection on the ACPGM-80N LVDS adapter board is the opposite of the standard connection. Please take note of this when plugging in the LVDS connectors. See image below.



Cadillac and Corvette C7 with 10 pin Connector at headunit

For Cadillac and Corvette C7 installations, you must cut the ACPGM-80N 10 pin connectors and hardwire it to the OEM connector wires.

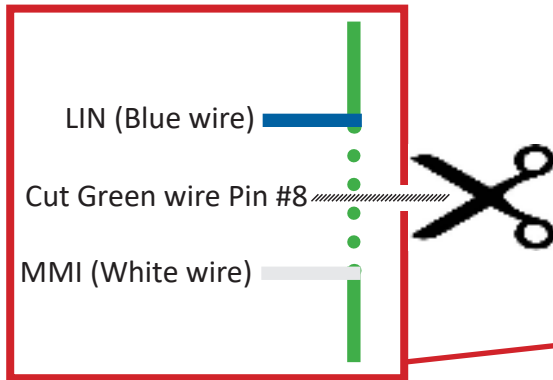
ACPGM-80N POWER HARNESS	
White	LIN Bus
Blue/White	MMI
Brown/White	CAN
Red	+12V Constant
Black	Ground



Cadillac and Corvette C7 Connection with 10 Pin connector:

10 Pin connector

ACPGM-80N
Harness



Cadillac and Corvette C7 10-Pin
Connector at headunit



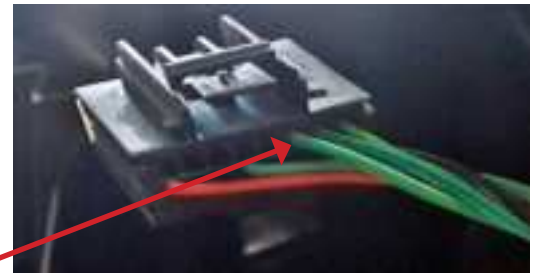
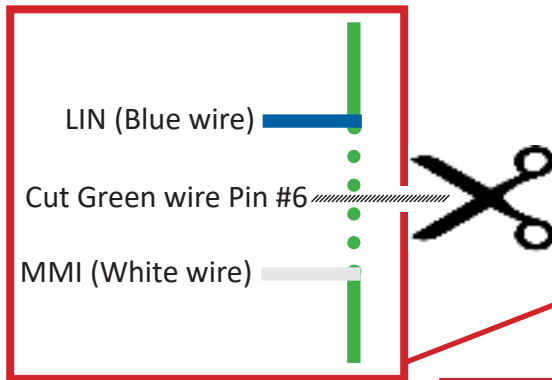
Cut the Green wire on pin #8 on the 10 pin factory connector and connect the LIN (blue wire) and MMI (white wire) of the ACPGM-80N harness following the diagram above.

PIN 1 = B+ connect to VCC Red wire
PIN 3 = CAN connect to CAN High (White/Brown) wire
PIN 8 = LIN (see connection diagram above)
PIN 10 = Ground connect to Black wire

Cadillac Connection with 16 Pin connector:

16 Pin connector

ACPGM-80N
Harness



PIN 6 = LIN (see connection diagram above)
PIN 9 = B+ connect to VCC Red wire
PIN 12 = CAN connect to CAN High (White/Brown) wire
PIN 16 = Ground connect to Black wire

30 Pin ACPGM-80N main module pin out.
(Note: Wire colors can be different but pin locations will remain the same.)



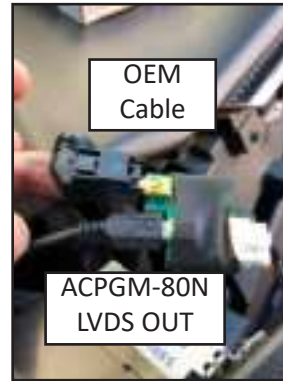
GM vehicles without Rear Seat Entertainment (RSE) wiring connections:



Plug and Play harness plugs behind radio



ACPGM-80N LVDS video cable plugs behind radio



LVDS Video Connection



Plug in 4K HDMI Cable



Plug in 3.5mm Aux Cable to factory Aux Input



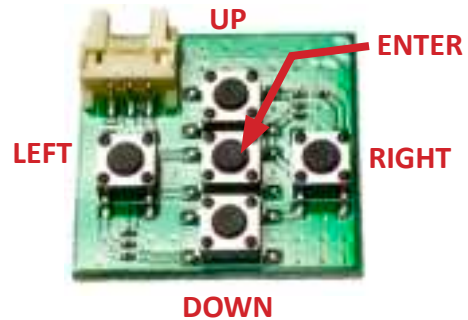
Plug in original smartphone cable to USB Ext. cable

ON SCREEN DISPLAY (OSD) SETTINGS:

The OSD Setting Screen automatically pops up when the OSD Control Pad is connected.



OSD Control Pad



Use the OSD menu to make the necessary settings. Remember to Run **Save&Reboot** after the settings are made. Unplug the OSD Control Pad after setting the cameras and keep it in a secure location in case it is needed to change the settings.



SMART-PLAY SETTING



After plugging in the OSD controller, navigate down to **LVDS Input** and set to ON. Push RIGHT button to go to the next menu.

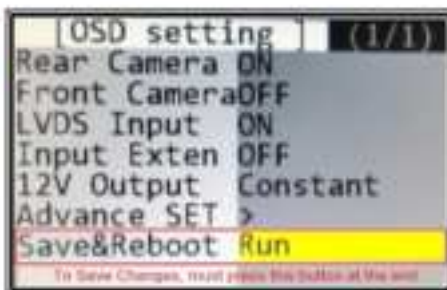
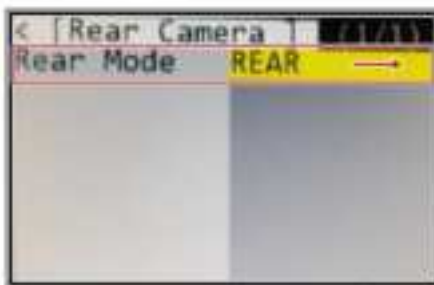
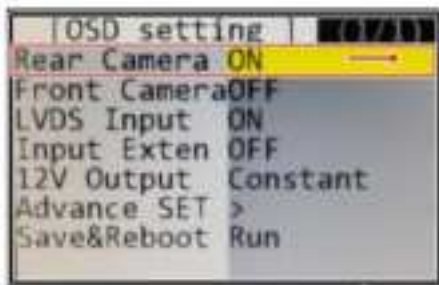


Set **Navi Brand** to **NV17**

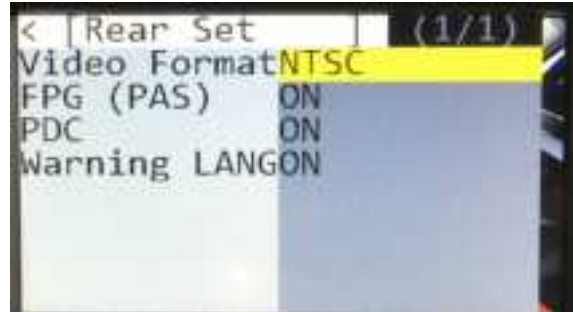
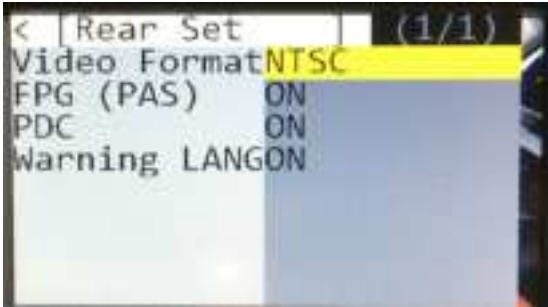


Navigate the OSD back the main menu and go to **Save&Reboot** then **Run**.

REAR AND FRONT CAMERA SETTING

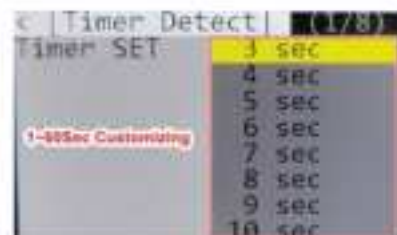
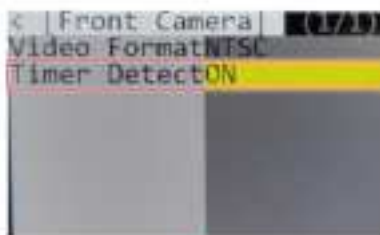
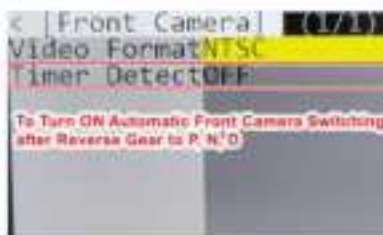
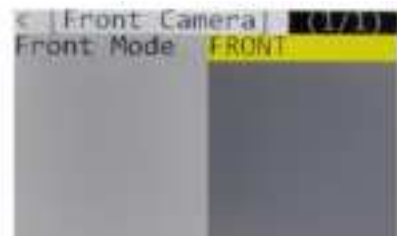
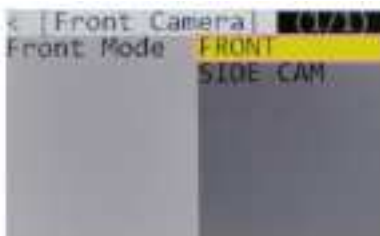
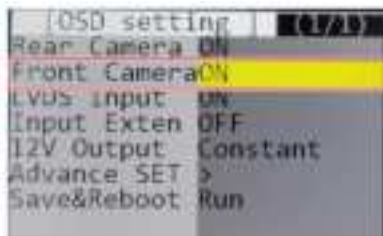


Dynamic Parking Guide Lines



To turn ON the Dynamic Parking Guide Lines, go the Rear Input > Rear Set and turn ON Warning LANG. Go back to the root menu and Run Save&Reboot. Remember to unplug the OSD Control Pad otherwise the unit will not function properly. Set the parking brake on, start the car, put the gear in reverse, turn the steering wheel all the way to the left and all the way to right then put it in the center. The ACPGM-80N will calibrate automatically.

FRONT CAMERA SETTING



The front Camera will automatically show on the screen when the gear is put to Drive from Reverse. Set the delay time on the OSD menu. Delay time can be set from 1 to 60 seconds after a putting the car to drive from reverse.



OPERATION:



To enter Smart-Play mode, press the upper left corner of the screen or double click the HOME button.



Smart-Play home screen. Use the factory touch screen for Smart-Play controls.



Apps can be opened by touch screen or by Siri control.

FORCE VIEWING THE FRONT CAMERA:

For MyLink IO5/IO6 radios:

	<p>Press for 2 seconds = Force view front camera Press once = Back to OEM screen</p>
	<p>Press for 2 seconds = Force view rear camera (only if aftermarket camera is used) Press once = Back to OEM screen</p>

VEHICLE APPLICATIONS:

Compatible with 8" CUE or MyLink IO5/IO6 Systems.

<p>Buick 2014-2018</p>	<p>LaCrosse</p>	<p>Chevrolet 2014-2018</p>	<p>Avalanche</p>	<p>GMC 2017-2018</p>	<p>Acadia Canyon</p>
<p>Cadillac 2013-2018</p>	<p>ATS</p>	<p>2017-2018</p>	<p>Colorado</p>	<p>2015-2018</p>	<p>Sierra Pickup</p>
<p>2014-2018</p>	<p>CTS Coupe</p>	<p>2015-2018</p>	<p>Corvette</p>	<p>2014-2018</p>	<p>Yukon</p>
<p>2014-2018</p>	<p>CTS</p>	<p>2015-2018</p>	<p>Cruze</p>	<p>2014-2018</p>	
<p>2014-2018</p>	<p>CTS-V</p>	<p>2014-2018</p>	<p>Impala</p>	<p>2015-2018</p>	
<p>2015-2018</p>	<p>Escalade</p>	<p>2014-2018</p>	<p>Malibu</p>	<p>2014-2018</p>	
<p>2013-2018</p>	<p>SRX</p>	<p>2015-2018</p>	<p>Silverado</p>	<p>2015-2018</p>	
<p>2013-2018</p>	<p>XTS</p>	<p>2015-2018</p>	<p>Suburban</p>	<p>2015-2018</p>	
<p>2016-2018</p>	<p>XT5</p>	<p></p>	<p>Tahoe</p>	<p></p>	



8" Screen

