

TONOR

UHF Wireless Microphone Instruction Manual

TW790

UK
CA

CE

FC

RoHS



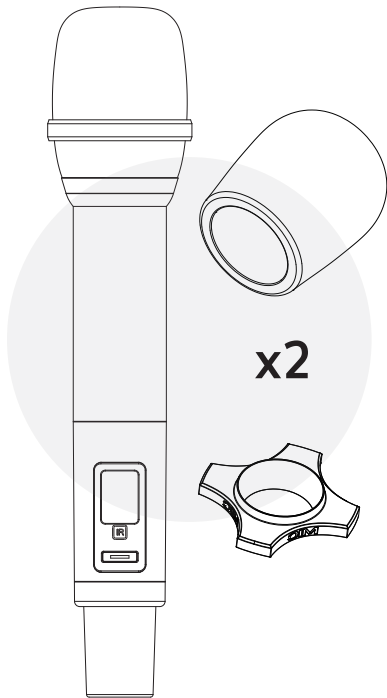
ABOUT THIS MANUAL

Thank you for purchasing TONOR wireless microphone. This manual is intended to help you understand all about this microphone and how to use it. TONOR always strives for the ultimate user experience. All our knowledge and passion for audio technology are incorporated into building microphones with high performance for you. The TONOR microphone is high quality and easy to use to achieve the best user experience.

Enjoy your microphone!

TONOR Team

Package Including



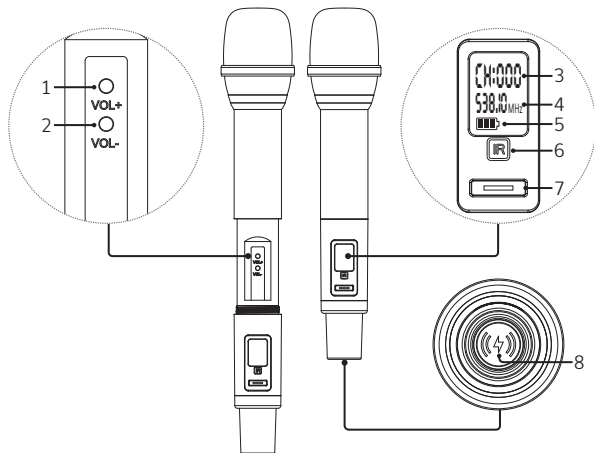
OPERATING ENVIRONMENTS & NOTES

- When using this device, keep it away from water.
- Use the device in ventilated environment, keep it away from fire.
- Since it's a wireless device, please keep it away from other interfering sources.
- Don't take apart the device.
- Please use the standard power supply, high voltage may damage the device.
- When the battery is low, the mic or receiver will automatically shut down. Please charge it.
- Recommended to use the original charging cable for all charging equipment. Or use a Type-A to Type-C charging cable.
- Not recommended to use equipment while charging.

SPECIFICATIONS

1. Frequency range: 538.1-597.8MHz
2. Channels: 100ch/each channel
3. RF power: 10dBm
4. Frequency response: 40Hz-18kHz
5. T.H.D: $\leq 0.5\%$
6. Mic Battery: Lithium battery 14650 3.7V/1100mAh
7. Mic Charging Time: 3-4 hours
8. Mic Battery Life: 10 hours
9. Receiver powered: DC 13.5V, 1000mA
10. Working distance: Up to 80m

MICROPHONE OPERATION INSTRUCTION



1. Volume +

- When adjusting the volume, the screen will display from U00 to U16.

2. Volume -

- When adjusting the volume, the screen will display from U00 to U16.

- Note that when the volume is adjusted to U00, it will return to U12 for hearing protection next time it is turned on.

3. Frequency Number

- CHA from CH000 to CH099. CHB from CH100 to CH199.

4. Current Frequency

5. Microphone real-time battery level

6. IR Infrared Pairing Window

7. Power Switch with LED Indicator

- Press and hold for two seconds to turn on and off the microphone.

- The power indicator light is always green when the mic is turned on.

8. Wireless Charging Point

STEPS TO PAIR

1. Turn on the microphone and receiver.
2. Recommended Automatic setting: Press and hold the set button for 2 seconds for CHA to automatically search for the best frequency. When the receiver selects the frequency, align the microphone IR window with the receiver IR window within 20cm. Click the set button, and wait for 3 seconds. When the frequencies of the microphone and receiver are consistent, pairing is successful. If unsuccessful, click the set button again and wait 3 seconds to pair again.
3. Optional Manual setting: Click receiver up button 5 or down button 7 to choose the free frequency needed for CHA. Align the CHA IR window with the receiver IR window for CHA within 20cm. Click set button for CHA to pair. When the frequencies of the microphone and receiver are consistent, pairing is successful. If unsuccessful, click the set button again and wait 3 seconds to pair again.
4. Repeat 2 or 3 step for others to finish pairing for CHB.
5. The pairing steps of CHB are the same as CHA. When operating CHB, just follow the buttons on CHB.
6. Multiple sets used together:
 - Make sure all devices are turned off. Then turn on the first set of receivers and pair CHA and CHB according to step 2. Keep the paired microphone and receiver turned on.
 - Later turn on the second set of receivers and repeat step 2, and so on. Please keep paired devices turned on until all devices are paired. It is recommended that up to 6-7 sets be used at the same time.

TROUBLESHOOTING

- ▷ Turn on all the microphones, but one of them has on sound.
- ▶ Reconnect the microphone and receiver according to the STEPS TO PAIR.

- ▷ Received signal with noise or interference
- ▶ Change to other frequencies.
- ▶ Check whether the receiving distance exceeds the maximum range.

- ▷ Microphone cannot be tuned on.
- ▶ Check whether microphone is full charged.

EU Declaration of conformity

• RoHS Directive (2011/65/EU)

Hereby, Fujian EastWest Lifewit Technology Co.,LTD declares that the radio equipment type TW790 is in compliance with Directive 2014/53/EU.

The full text of the EU declaration of conformity is available at the following internet address:

<https://www.tonormic.com/pages/eu-declaration-of-conformity>

Conditions and restrictions for using frequencies

Conditions and restrictions for using frequencies

There may be special conditions and restrictions for using frequencies in your country.

Before putting the product into operation, find the information for your country at the following address:

<https://www.tonormic.com/pages/permitted-frequency-bands>

WARRANTY

TONOR provides 2 years of after-sales service, free replacement to products that are NOT damaged resulting from accident, alteration, misuse, negligence, or abuse. If exceeding 30 days of Amazon return policy, you can still contact us through our Shopify TONOR-MIC. We will serve you with full sincerity!

FCC Statement



This device complies with part 15 of the FCC Rules. Operation is subject to the following two conditions:

- (1) This device may not cause harmful interference.
- (2) This device must accept any interference received, including interference that may cause undesired operation.

ISED Statement



This device contains licence-exempt transmitter(s)/receiver(s) that comply with Innovation, Science and Economic Development Canada's licence-exempt RSS(s). Operation is subject to the following two conditions:

- (1) This device may not cause interference.
- (2) This device must accept any interference, including interference that may cause undesired operation of the device.

This device operates on a no-interference, no-protection basis. Should the user seek to obtain protection from other radio services operating in the same TV bands, a radio licence is required

For further details, consult Innovation, Science and Economic Development Canada's Client Procedures Circular CPC-2-1-28, Voluntary Licensing of Licence-Exempt Wireless Microphones in the I/Bands.



L'émetteur/récepteur exempt de licence contenu dans le présent appareil est conforme aux CNR d'Innovation, Sciences et Développement économique Canada applicables aux appareils radio exempts de licence. L'exploitation est autorisée aux deux conditions suivantes:

- (1) L'appareil ne doit pas produire de brouillage;
- (2) L'appareil doit accepter tout brouillage radioélectrique subi, même si le brouillage est susceptible d'en compromettre le fonctionnement.

Ce dispositif fonctionne sur une base sans interférence, sans protection. Si l'utilisateur cherche à obtenir Protection pour les autres services de radio opérant sur les mêmes bandes de télévision, une licence de radio est requise. Pour plus de détails, consultez le Client d'innovation, sciences et développement économique Canada. Procédures circulaire CPC-2-1-28, licence volontaire de Microphones exemptés de licence dans les bandes I/

Changes or modifications not expressly approved by the party responsible for compliance could void the user's authority to operate the equipment.

NOTE: This equipment has been tested and found to comply with the limits for a Class B digital device, pursuant to part 15 of the FCC Rules. These limits are designed to provide reasonable protection against harmful interference in a residential installation. This equipment generates uses and can radiate radio frequency energy and, if not installed and used in accordance with the instructions, may cause harmful interference to radio communications. However, there is no guarantee that interference will not occur in a particular installation. If this equipment does cause harmful interference to radio or television reception, which can be determined by turning the equipment off and on, the user is encouraged to try to correct the interference by one or more of the following measures:

- Reorient or relocate the receiving antenna.
- Increase the separation between the equipment and receiver.
- Connect the equipment into an outlet on a circuit different from that to which the receiver is connected.
- Consult the dealer or an experienced radio/TV technician for help.

FCC Radiation Exposure Statement

The device has been evaluated to meet general RF exposure requirement. The device can be used in portable exposure condition without restriction.

ISED Radiation Exposure Statement

The device has been evaluated to meet general RF exposure requirement. The device can be used installed and operated with minimum distance 0mm between the radiator and your body.

L'appareil a été évalué pour répondre aux exigences générales d'exposition aux RF. Cet équipement doit être installé et utilisé avec une distance minimale de 0 mm entre le radiateur et votre corps.

Operating Frequency

CHA/100CH							
CH000	538.1	CH025	545.6	CH050	553.1	CH075	560.6
CH001	538.4	CH026	545.9	CH051	553.4	CH076	560.9
CH002	538.7	CH027	546.2	CH052	553.7	CH077	561.2
CH003	539	CH028	546.5	CH053	554	CH078	561.5
CH004	539.3	CH029	546.8	CH054	554.3	CH079	561.8
CH005	539.6	CH030	547.1	CH055	554.6	CH080	562.1
CH006	539.9	CH031	547.4	CH056	554.9	CH081	562.4
CH007	540.2	CH032	547.7	CH057	555.2	CH082	562.7
CH008	540.5	CH033	548	CH058	555.5	CH083	563
CH009	540.8	CH034	548.3	CH059	555.8	CH084	563.3
CH010	541.1	CH035	548.6	CH060	556.1	CH085	563.6
CH011	541.4	CH036	548.9	CH061	556.4	CH086	563.9
CH012	541.7	CH037	549.2	CH062	556.7	CH087	564.2
CH013	542	CH038	549.5	CH063	557	CH088	564.5
CH014	542.3	CH039	549.8	CH064	557.3	CH089	564.8
CH015	542.6	CH040	550.1	CH065	557.6	CH090	565.1
CH016	542.9	CH041	550.4	CH066	557.9	CH091	565.4
CH017	543.2	CH042	550.7	CH067	558.2	CH092	565.7
CH018	543.5	CH043	551	CH068	558.5	CH093	566
CH019	543.8	CH044	551.3	CH069	558.8	CH094	566.3
CH020	544.1	CH045	551.6	CH070	559.1	CH095	566.6
CH021	544.4	CH046	551.9	CH071	559.4	CH096	566.9
CH022	544.7	CH047	552.2	CH072	559.7	CH097	567.2
CH023	545	CH048	552.5	CH073	560	CH098	567.5
CH024	545.3	CH049	552.8	CH074	560.3	CH099	567.8

CHB/100CH							
CH100	568.1	CH125	575.6	CH150	583.1	CH175	590.6
CH101	568.4	CH126	575.9	CH151	583.4	CH176	590.9
CH102	568.7	CH127	576.2	CH152	583.7	CH177	591.2
CH103	569	CH128	576.5	CH153	584	CH178	591.5
CH104	569.3	CH129	576.8	CH154	584.3	CH179	591.8
CH105	569.6	CH130	577.1	CH155	584.6	CH180	592.1
CH106	569.9	CH131	577.4	CH156	584.9	CH181	592.4
CH107	570.2	CH132	577.7	CH157	585.2	CH182	592.7
CH108	570.5	CH133	578	CH158	585.5	CH183	593
CH109	570.8	CH134	578.3	CH159	585.8	CH184	593.3
CH110	571.1	CH135	578.6	CH160	586.1	CH185	593.6
CH111	571.4	CH136	578.9	CH161	586.4	CH186	593.9
CH112	571.7	CH137	579.2	CH162	586.7	CH187	594.2
CH113	572	CH138	579.5	CH163	587	CH188	594.5
CH114	572.3	CH139	579.8	CH164	587.3	CH189	594.8
CH115	572.6	CH140	580.1	CH165	587.6	CH190	595.1
CH116	572.9	CH141	580.4	CH166	587.9	CH191	595.4
CH117	573.2	CH142	580.7	CH167	588.2	CH192	595.7
CH118	573.5	CH143	581	CH168	588.5	CH193	596
CH119	573.8	CH144	581.3	CH169	588.8	CH194	596.3
CH120	574.1	CH145	581.6	CH170	589.1	CH195	596.6
CH121	574.4	CH146	581.9	CH171	589.4	CH196	596.9
CH122	574.7	CH147	582.2	CH172	589.7	CH197	597.2
CH123	575	CH148	582.5	CH173	590	CH198	597.5
CH124	575.3	CH149	582.8	CH174	590.3	CH199	597.8

	AT	BE	BG	CY	CZ	DE
	DK	EE	EL	ES	FI	FR
	HR	HU	IE	IT	LT	LU
	LV	MT	NL	PL	PT	RO
	SE	SI	SK	UK(NI)		

 <https://www.tonormic.com>

 support@tonormic.com



Vous êtes responsable de remettre tous les appareils électriques et électroniques usagés à des points de collecte correspondants.

Pour en savoir plus:
www.quefairedemesdechets.fr



Points de collecte sur www.quefairedemesdechets.fr

FUJIAN EASTWEST LIFEWIT TECHNOLOGY CO.,LTD | RM
1201-1205, BLD 18, 2ND PHASE OF INNOVATION PARK, FUZHOU
350108, CHINA

EASTWEST ELECTRONIC COMMERCE CO US LIMITED | 3500
SOUTH DUPONT HIGHWAY, SUITE G106 DOVER, DE 19901 UNITED
STATES

LIFEWIT LIMITED | UNIT 2, VINCENT HOUSE, FIRCROFT WAY,
EDENBRIDGE UNITED KINGDOM

Lifewit GmbH | Friedenstraße 5 97072 Wuerzburg Germany

MADE IN CHINA