

# Remote control



## 1.Features

1. The appearance is fashionable and elegant, which can be applied to different decoration styles;
2. The surface is treated with piano paint, which is unique and noble;
3. Ultra-thin body, showing simple fashion;
4. High hardness acrylic panel to ensure flawless appearance;
5. Optional magnetic base for easier installation;
6. Ultra-low power consumption design;
7. Universal CR2032 button battery, more convenient to install and purchase.

## 2.Parameters

Model	RF transmit frequency	RF remote control distance	Transmit power	Transmit current	Standby current	Battery	Working Temp.	Size
AC127-01	433.92MHz	≥ 80m	≥ 10mW	≥ 15mA	≥ 20uA	CR2032(6V)	-20°C ~ +55°C	123x43x11mm (L) (W) (H)

## 3.Installation

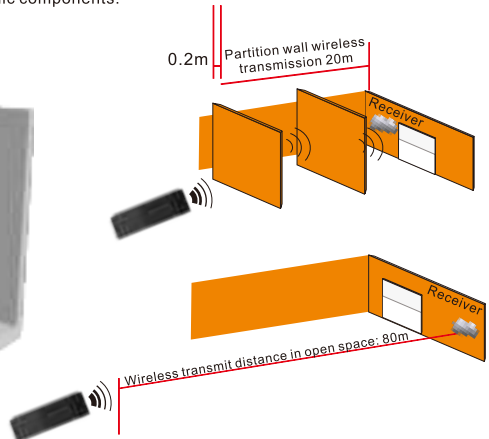
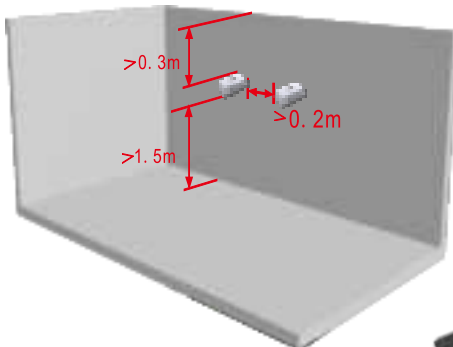
1. The minimum distance between the transmitter and ground is 1.5m.
2. The minimum distance between the receiver and the transmitter is 1m.
3. Do not install on a metal object, or the transmit distance will be affected.
4. Do not install it in a damp and sun exposed place, otherwise the service life will be affected.



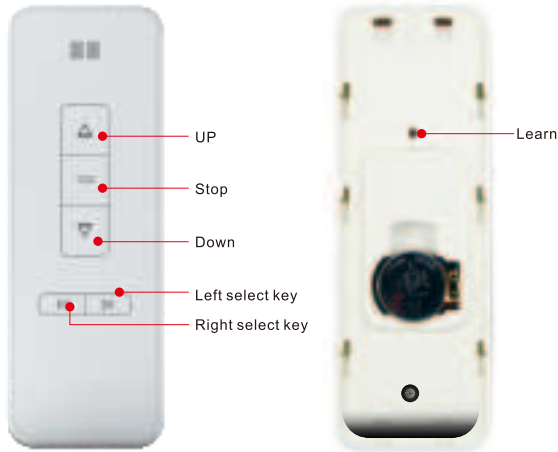
### Cautions

Please observe the following regulations while complying with the effective electricity standards:

- \* Transmit range: within 80 meters in open space
- \* Avoid static interference, which may damage the electronic components.



## 4. Operations



### 1) Control

Make curtain up  
Make curtain stop  
Make curtain down

### 2) Channel selection

Right select key: Channel increment  
Left Select key: Channel decrement

### 3) Channel-lock (Available for 6 and 16 channels)

Channel-Lock: Press "stop" + "right or left select key"  
3s till the LED lights to lock current channel, after the operation done, other channel cannot be used except for the locked channel.

## 5. Trouble shooting

Problems	Analysis	Solutions
When operating the transmitter, the receiver no act	1. The receiver is not working properly 2. The battery of transmitter is out of power	A. The receiver works normally B. Replace a new battery of transmitter
The receiver is not working properly	The battery of transmitter is out of power	Replace a new battery of transmitter

## ⚠ Cautions

- The statement "Remove and immediately recycle or dispose of used batteries according to local regulations and keep away from children. Do NOT dispose of batteries in household trash or incinerate.
- The statement "Even used batteries may cause severe injury or death.
- The statement "Call a local poison control center for treatment information.
- A statement indicating the compatible battery type (e.g., LR44, CR2032).
- A statement indicating the nominal battery voltage.
- The statement "Non-rechargeable batteries are not to be recharged.
- The statement "Do not force discharge, recharge, disassemble, heat above (manufacturer's specified temperature rating) or incinerate. Doing so may result in injury due to venting, leakage or explosion resulting in chemical burns.
- The statement "Ensure the batteries are installed correctly according to polarity (+ and -).
- The statement "Do not mix old and new batteries, different brands or types of batteries, such as alkaline, carbon-zinc, or rechargeable batteries.
- The statement "Remove and immediately recycle or dispose of batteries from equipment not used for an extended period of time according to local regulations.
- The statement "Always completely secure the battery compartment. If the battery compartment does not close securely, stop using the product, remove the batteries, and keep them away from children.

This device complies with Part 15 of the FCC rules. Operation is subjected to the following two conditions: (1) this device may not cause harmful interference, and (2) this device must accept any interference received, including interference that may cause undesired operation.

Changes or modifications not expressly approved by the party responsible for compliance could void your authority to operate the equipment.

This equipment has been tested and found to comply with the limits for a Class B digital device, pursuant to Part 15 of the FCC Rules. These limits are designed to provide reasonable protection against harmful interference in a residential installation. This equipment generates, uses and can radiate radio frequency energy and, if not installed and used in accordance with the instructions, may cause harmful interference to radio communications. However, there is no guarantee that interference will not occur in a particular installation. If this equipment does cause harmful interference to radio or television reception, which can be determined by turning the equipment off and on, the user is encouraged to try to correct the interference by one or more of the following measures:

- Reorient or relocate the receiving antenna.
- Increase the separation between the equipment and receiver.
- Connect the equipment into an outlet on a circuit different from that to which the receiver is connected.
- Consult the dealer or an experienced radio/TV technician for help.

This device contains licence-exempt transmitter(s)/receiver(s) that comply with Innovation, Science and Economic Development (ISED) Canada's licence-exempt RSS(s). Operation is subject to the following two conditions: (1) this device may not cause interference, and (2) this device must accept any interference, including interference that may cause undesired operation of the device.

The device has been evaluated to meet general RF exposure requirement.

Cet appareil contient des émetteurs/récepteurs exempts de licence qui sont conformes aux flux RSS exempts de licence du Canada pour l'innovation, la Science et le développement économique (ISDE). Le fonctionnement est soumis aux deux conditions suivantes: (1) ce dispositif ne peut pas causer d'interférence, et (2) ce dispositif doit accepter toute interférence, y compris les interférences pouvant causer un fonctionnement indésirable du dispositif. L'appareil a été évalué pour répondre aux exigences générales d'exposition aux RF.