


TEST REPORT

	CTK Co., Ltd. (Ho-dong) 113, Yejik-ro, Cheoin-gu, Yongin-shi Gyeonggi-do KOREA, REPUBLIC OF Tel: +82-31-339-9970 Fax: +82-31-624-9501	REPORT No.: CTK-2019-05076 Page (1) / (11) pages	
---	--	--	--

1. Applicant

- Name : Hanwha Techwin Co., Ltd.
- Address : Hanwha Techwin R&D center, 6 Pangyo-ro 319Beon-gil,
Bundang-gu, Seongnam-si, Gyeonggi-do, 13488 KOREA
- Date of Receipt..... : 2017-11-01

2. Manufacturer

- Name : HANWHA TECHWIN (TIANJIN) CO.,LTD
- Address..... : No.11 Weiliu Rd, Micro-Electronic Industrial
Park, TEDA, Tianjin, 300385, People's Republic of China

3. Use of Report : Quality control

4. Test sample / Model..... : NETWORK CAMERA / XNP-6370RH* (*N:NT/P:PAL)



5. Date(s) of test : 2017-11-07

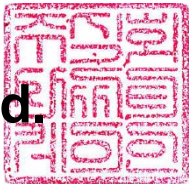
6. Test Standard (Method) used .. : Requested Test Specification of Applicant

7. Testing Environment : Temperature : (25.0 ± 10.0) °C, Humidity : (50 ± 25) %R.H.
Air Pressure: (99.0 ± 2) kPa

8. Results : Reference test results

The results shown in this test report refer only to the sample(s) tested unless otherwise stated.
This report shall not be reproduced except in full without the written approval of CTK

Approval	Tested by: WonHyeon Choi  (Signature)	Technical Manager: KwangWon Lee  (Signature)
----------	--	---



2019-12-20

**CTK Co., Ltd.**

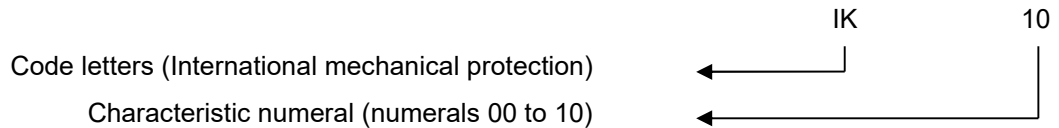
(Ho-dong) 113, Yejik-ro, Cheoin-gu, Yongin-shi
Gyeonggi-do KOREA, REPUBLIC OF
Tel: +82-31-339-9970
Fax: +82-31-624-9501

REPORT No.:
CTK-2019-05076
Page (2) / (11) pages

1. Degrees of protection provided by enclosures for electrical equipment against external mechanical impacts (IK code)

1.1 Test standard: KS C IEC 62262: 2005

1.2 Arrangement of the IK code



1.3 Vertical Hammer

1.3.1 Test equipment

Equipment	Model	Manufacturer	Serial
Vertical Hammer	20J	Kingpo	TX028-1

1.3.2 Test condition

IK code	Impact Energy (J)	Equivalent mass (kg)	Drop height (mm ± 1%)	Application
00	Non-protected	-	-	<input type="checkbox"/>
01	0.14	0.25	56	<input type="checkbox"/>
02	0.20	0.25	80	<input type="checkbox"/>
03	0.35	0.25	140	<input type="checkbox"/>
04	0.50	0.25	200	<input type="checkbox"/>
05	0.70	0.25	280	<input type="checkbox"/>
06	1.00	0.25	400	<input type="checkbox"/>
07	2.00	0.50	400	<input type="checkbox"/>
08	5.00	1.70	300	<input type="checkbox"/>
09	10.00	5.00	200	<input type="checkbox"/>
10	20.00	5.00	400	<input checked="" type="checkbox"/>

- Impact times: five times for each of the exposed surface. (Do not impact more than 3 times in the same spot)

1.3.3 Check Item

- Check the separation of the component.
- Check the visual damage of the product outside.

	CTK Co., Ltd. (Ho-dong) 113, Yejik-ro, Cheoin-gu, Yongin-shi Gyeonggi-do KOREA, REPUBLIC OF Tel: +82-31-339-9970 Fax: +82-31-624-9501	REPORT No.: CTK-2019-05076 Page (3) / (11) pages	
---	--	--	--

1.3.5 Test Result

Characteristic numeral	Remark
IK 10	The enclosure is Scratch (Reference to Page 6 ~ 7)

Manufacturer's name

Name and address of factory (ies)	<ol style="list-style-type: none"> 1) HANWHA TECHWIN SECURITY VIETNAM CO.,LTD Lot O-2, Que Vo Industrial Zone extended area, Nam Son commune, Bac Ninh city, Bac Ninh province, Vietnam 2) D-TECH CO.,LTD. 173-25, Saneop-ro, Gwonseon-gu, Suwon-si, Gyeonggi-do, Korea (Suwon Industrial Complex)
--------------------------------------	---

Model description

Basic Model	XNP-6370RH
Series model	PNP-9200RH, XNP-6320RH, XNP-6330RH, QNP-6230RH, HCP-6370RH, XNP-8330RH, HCP-6320RH, XNP-6371RH, XNP-6550RH, XNP-6450RH, XNP-6420RH, HCP-6550RH, HCP-6450RH, HCP-6420RH, KNP-2320RH, KNP-2550RH XNP-6341RH
Model differences	Use of the same external shape and materials (case, finishing material, PCB, cable, etc.), differences in electronic parts inside the product.



CTK Co., Ltd.

(Ho-dong) 113, Yejik-ro, Cheoin-gu, Yongin-shi
Gyeonggi-do KOREA, REPUBLIC OF
Tel: +82-31-339-9970
Fax: +82-31-624-9501

REPORT No.:
CTK-2019-05076
Page (4) / (11) pages

2. Attachment

2.1 Products





CTK Co., Ltd.

(Ho-dong) 113, Yejik-ro, Cheoin-gu, Yongin-shi
Gyeonggi-do KOREA, REPUBLIC OF
Tel: +82-31-339-9970
Fax: +82-31-624-9501

REPORT No.:
CTK-2019-05076
Page (5) / (11) pages

2.2 Test photos





CTK Co., Ltd.

(Ho-dong) 113, Yejik-ro, Cheoin-gu, Yongin-shi
Gyeonggi-do KOREA, REPUBLIC OF
Tel: +82-31-339-9970
Fax: +82-31-624-9501

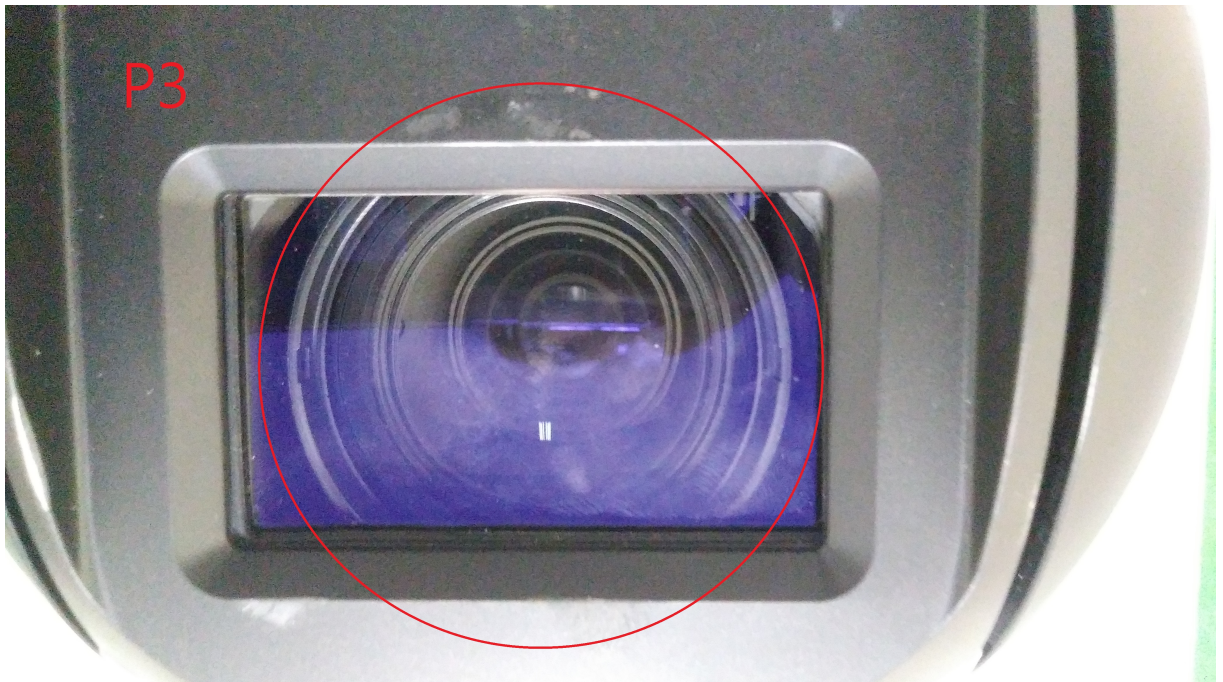
REPORT No.:
CTK-2019-05076
Page (6) / (11) pages

2.3 Photos after test

[P1, P2]



[P3]





CTK Co., Ltd.

(Ho-dong) 113, Yejik-ro, Cheoin-gu, Yongin-shi
Gyeonggi-do KOREA, REPUBLIC OF
Tel: +82-31-339-9970
Fax: +82-31-624-9501

REPORT No.:
CTK-2019-05076
Page (7) / (11) pages

[P4]



[P5]



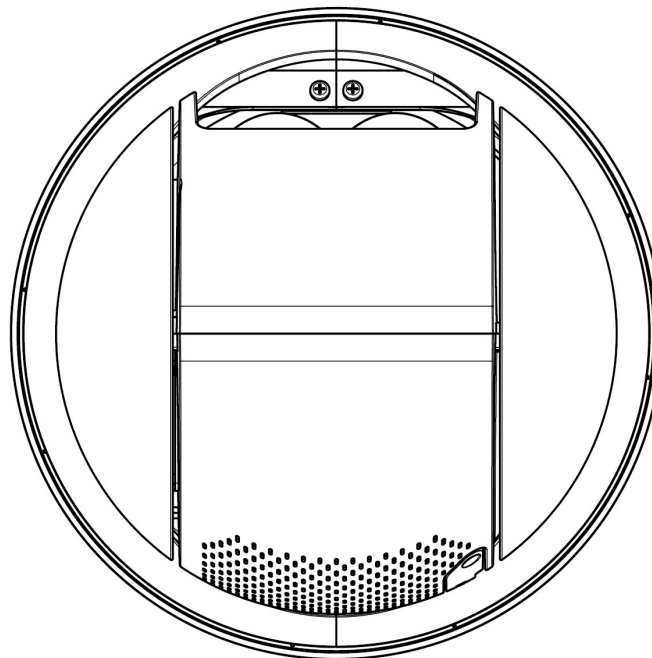
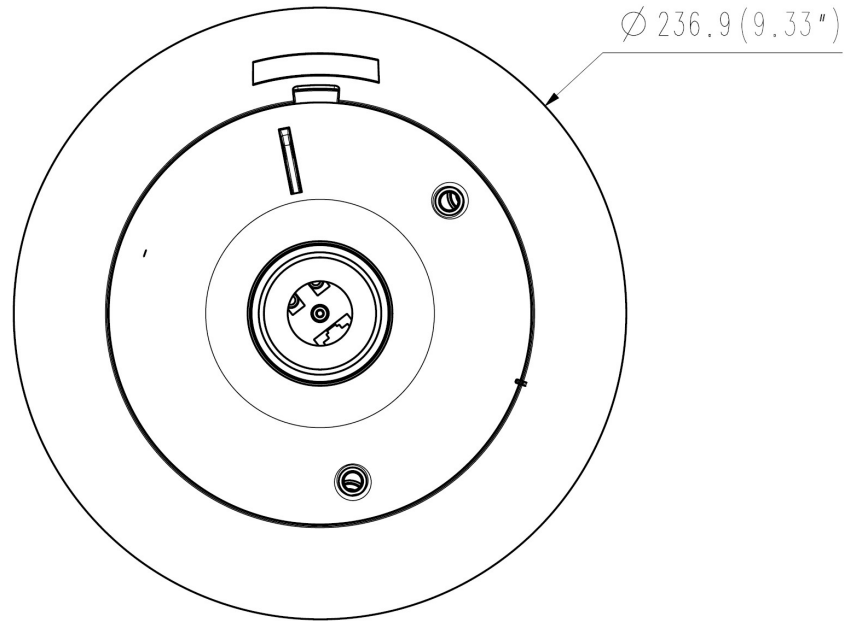


CTK Co., Ltd.

(Ho-dong) 113, Yejik-ro, Cheoin-gu, Yongin-shi
Gyeonggi-do KOREA, REPUBLIC OF
Tel: +82-31-339-9970
Fax: +82-31-624-9501

REPORT No.:
CTK-2019-05076
Page (8) / (11) pages

2.4 Enclosure Dimensions or Impact point (Unit: mm)

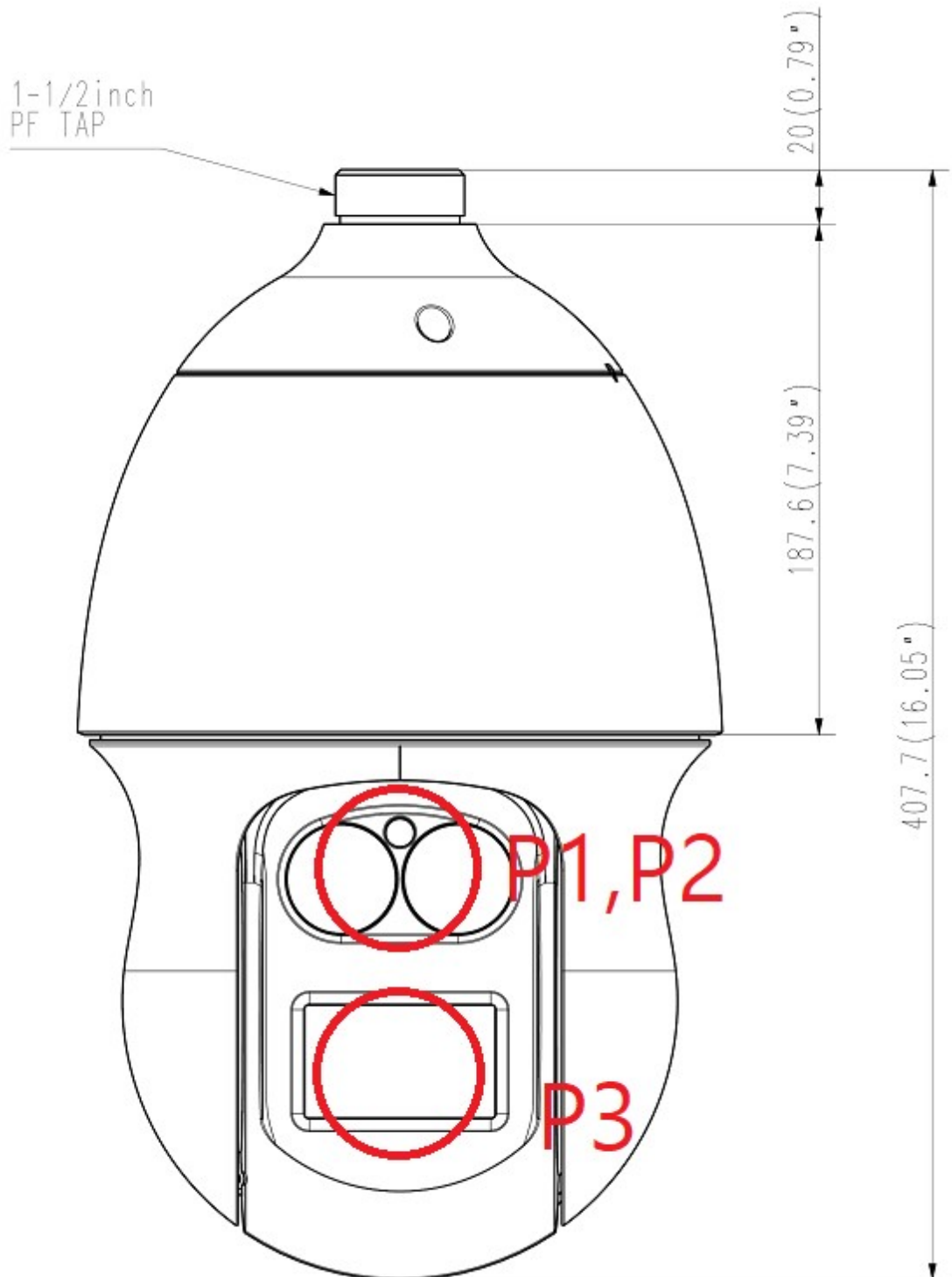




CTK Co., Ltd.

(Ho-dong) 113, Yejik-ro, Cheoin-gu, Yongin-shi
Gyeonggi-do KOREA, REPUBLIC OF
Tel: +82-31-339-9970
Fax: +82-31-624-9501

REPORT No.:
CTK-2019-05076
Page (9) / (11) pages

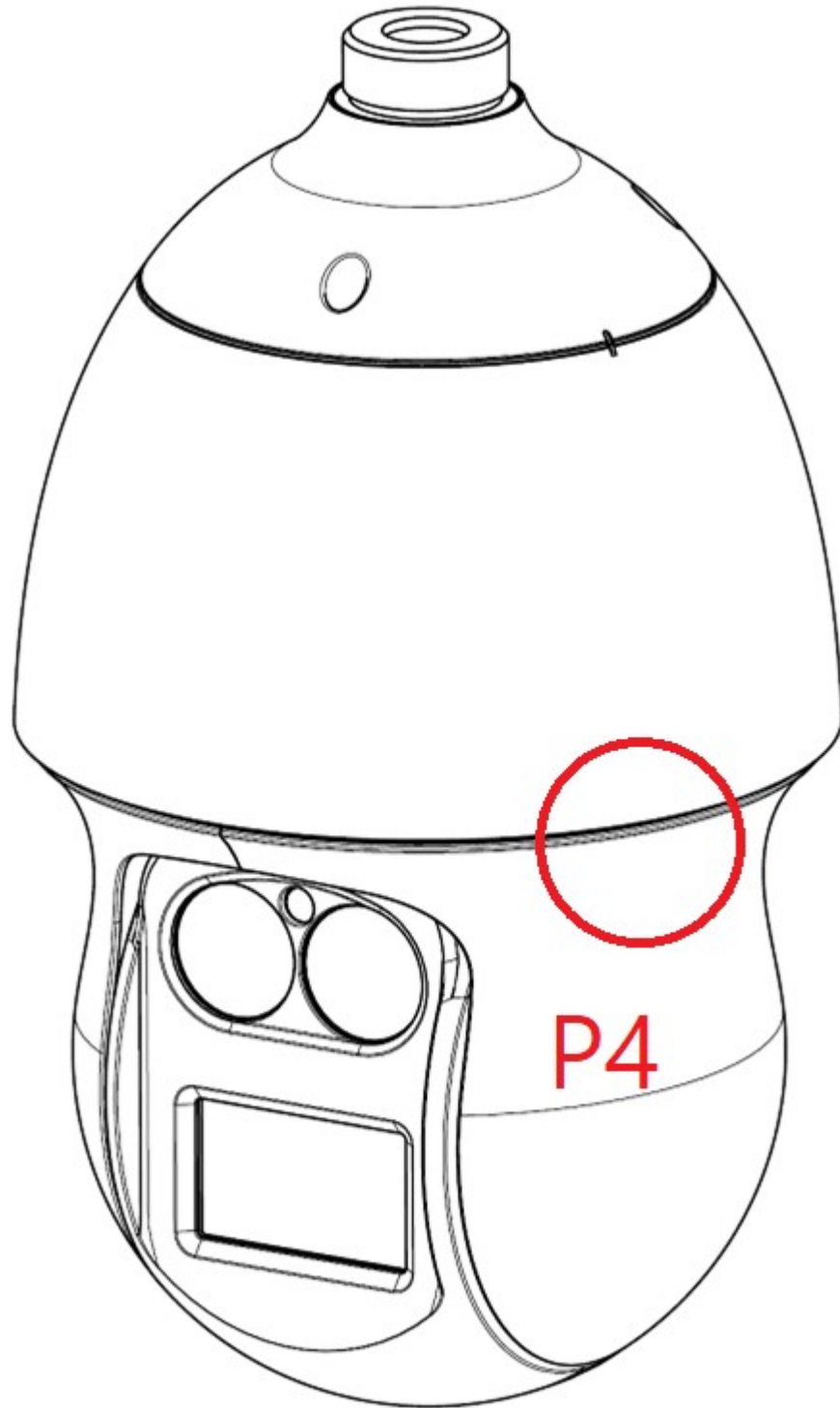




CTK Co., Ltd.

(Ho-dong) 113, Yejik-ro, Cheoin-gu, Yongin-shi
Gyeonggi-do KOREA, REPUBLIC OF
Tel: +82-31-339-9970
Fax: +82-31-624-9501

REPORT No.:
CTK-2019-05076
Page (10) / (11) pages





CTK Co., Ltd.

(Ho-dong) 113, Yejik-ro, Cheoin-gu, Yongin-shi
Gyeonggi-do KOREA, REPUBLIC OF
Tel: +82-31-339-9970
Fax: +82-31-624-9501

REPORT No.:
CTK-2019-05076
Page (11) / (11) pages

