

ENCLOSURES FOR CCTV RECORDERS

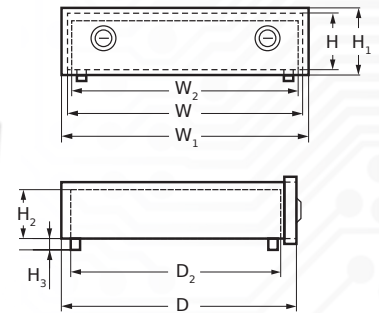
Enclosures construction is compliant with requirements of General Data Protection Regulation (GDPR), as personal data must be protected and stored securely



HORIZONTAL

Features

- horizontal installation of recorder
- possibility to install ARAW45 fan
- tamper protection
- surface mounted enclosure
- closing – lock, type 802 various code – 2 pieces
- fixing under tabletop possible (mounting brackets required)



Code	Bracket	Possibility of mounting ARAW45	External dimensions of enclosure $W \times H + H_3 \times D$ [+/- 2mm]	External dimensions of front panel $W_1 \times H_1$ [+/- 2mm]	Dimensions of recorder space $W_2 \times H_2 \times D_2$ [+/- 2mm]
AWO445	AWO445BR	✓	400×99+14×300	405×105	355×90×235
AWO447		✓	400×99+14×430		355×90×360
AWO483	AWO483BR	✓	500×99+14×400	505×105	455×90×335
AWO471	AWO471BR	✓	550×124+14×572	555×130	505×115×505

VERTICAL

Features

- vertical installation of recorder
- possibility to install ARAW45 fan
- tamper protection
- surface mounted enclosure



Code	Colour	Possibility of mounting ARAW45	Number of locks MR008 (various code)	External dimensions of enclosure $W \times H \times D + D_2$ [+/- 2mm]	Dimensions of recorder space $W_1 \times H_1 \times D_1$ [+/- 2mm]
AWO528	RAL9005 (black matt)	—	2 pcs.	320×430×82+14	260×250×55
AWO528W	RAL9003 (white)	—	2 pcs.		
AWO529	RAL9005 (black matt)	—	2 pcs.	435×500×121+14	375×335×95
AWO529W	RAL9003 (white)	—	2 pcs.		
AWO530	RAL9005 (black matt)	✓	2 pcs.	535×650×121+14	470×485×95
AWO530W	RAL9003 (white)	✓	2 pcs.		

ENCLOSURES FOR CCTV RECORDERS

Enclosures construction is compliant with requirements of General Data Protection Regulation (GDPR), as personal data must be protected and stored securely

VERTICAL WITH SPACE FOR MONITOR

Features

- vertical installation of recorder
- tamper protection
- surface mounted enclosure
- possibility to install ARAW45 fan – applies AWO531W
- closing – lock, type 802 various code – 2 pieces (applies AWO531W)
- additional possibility of install inside:
 - switches desktop;
 - RACK 19" switches;
 - RACK 19" patch panel;
 - monitor (max 22") – applies to AWO531W.



Code	Space for battery	Outlet 230VAC	Locking with keys (GDPR)	Place for a monitor (max 22")	Possibility of mounting ARAW45	RACK 19" holder (horizontal)	External dimensions of enclosure W×H×D+D ₁ [+/- 2mm]	Dimensions of recorder space W ₂ ×H ₂ ×D ₂ [+/- 2mm]	Straps for mounting recorder
AWO531W	4×7Ah	—	✓	✓	✓	4U	589×650×261+14	480×400×180	✓
AWO532W	4×7Ah / 2×17Ah	2 piece	— (assembly required 2×MR008)	—	—	3U	535×540×163+14	530×380×155	— (required set: ZPR)

VERTICAL WITH SWITCH/MONITOR SPACE – RACK 19"

Features

- The enclosure can accommodate devices such as:
 - monitor – monitor mounting standard: VESA 50x50 / VESA 75x75 / VESA 100x100
 - switch – standard 19" rack / with special mounting brackets
 - DVR – 19" rack standard / using tightening straps (ZPR - additional equipment)
 - enclosed power supplies with battery backup: 52VDC-PWB / 54VDC-PSB + DCDC 12VDC converters
 - patch panel – 19" rack standard
 - power strip – standard 10"/ 19"
 - fan RAW1
- Enclosure is equipped with:
 - adjustable 10" / 19" rack mount - 1U
 - RACK brackets: 1U - 1 pc, 2U - 2 pcs, 3U - 1 pc,
 - mounting plate in door - holes for switches and straps



Code	Colour	Possibility to install ARAW45 fan RAW1	Place for a monitor, standard VESA: 50 / 75 / 100	RACK brackets	Knock-outs	Number of locks (same code)	External dimensions of enclosure W×H×D+D ₂ [+/- 2mm]	Dimensions of recorder space W ₂ ×H ₂ ×D ₂ [+/- 2mm]
AWO534	black	✓ (left or right side)	✓ max width: 495mm	Top of enclosure 1U: 10" / 19"	4 x ø 50mm (top and enclosure bottom)	2 pcs.	600×600×200+2,5	490×385×175
AWO534G	grey			Additional: 1U - 1 set 2U - 2 sets 3U - 1 set				