

Integrated Dishwasher, 24"

Series 5 | Integrated

Panel Ready

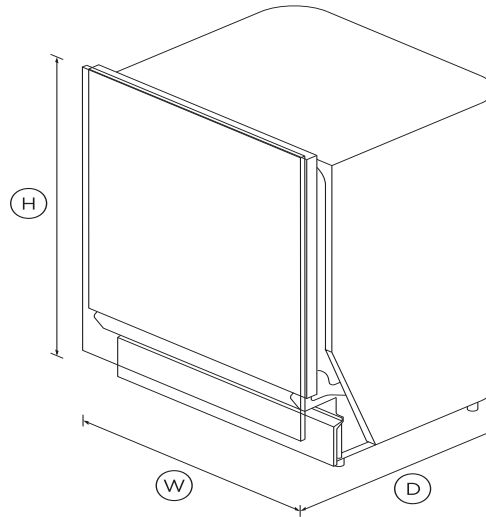


Offering a superior wash performance, this Dishwasher is panel ready and designed to be integrated into your kitchen for a seamless look.

- Customize with your own front panel and handle to match your kitchen cabinetry
- Six wash programs to suit any load, from Delicate to Heavy
- Auto option senses the optimum wash cycle for your dishes

DIMENSIONS

Height	32 5/16 - 36 1/2"
Width	23 3/4"
Depth	22 3/4"



FEATURES & BENEFITS

Sized to suit

Install this fully integrated dishwasher to tall (American size) or short (Euro/ADA size) counter heights, ensuring minimal gaps. Customize with a front panel to match kitchen cabinetry.

A quality wash

This dishwasher offers six wash programs including Auto, which automatically senses the optimal wash cycle for your dishes. A three stage filtration system delivers a superior clean, while the rinse aid indicator reminds you to top up for squeaky-clean

dishes.

Flexible stacking

Flexible, adjustable storage lets you stack even large items with ease. This model features a removable cutlery tray, height adjustable middle rack, cup holders and wine glass supports.

Quiet and reliable

Running at a very low decibel level, this dishwasher does its job without making a fuss. The combination of clever technology and simple mechanics offers greater reliability and superior wash performance.

SPECIFICATIONS

Accessories

Contemporary round handle	Part number 81671
Contemporary square fine	Part number 82104
Contemporary square handle	Part number 81908
Cutlery basket	•
Optional stainless steel door kit	82085
Professional round flush handle	Part number 82140
Professional round handle kit	Part number 82142
Professional square handle kit	Part number 81727

Capacity and loading

Accommodates round plates	10 1/4"
Fold down tines	•
Height adjustable top basket	•
Place settings	12
Wine glass supports	•

Consumption

Energy rating	Energy star
---------------	--------------------

Energy usage **232kWh/year**

Controls

- Child lock •
- End of cycle beeps •
- Energy saving delay start •
- Rinse aid indicator light •

Features

- Quiet operation •
- ThermoDry system •
- Three-stage filtration system •
- Variable wash pressure •

Power requirements

Amperage **10A**

Product dimensions

Depth **22 3/4"**
 Height **32 5/16 - 36 1/2"**
 Width **23 3/4"**

Warranty

Parts and labor **2 years**

Wash Programs

- Auto •
- Eco •
- Fast •

- Half-load •
- Heavy •
- Medium •
- Number of wash programs **6**
- Rinse •

Water connection

Water pressure **0.1 Mpa - 1 Mpa**

SKU **81871**

The product dimensions and specifications in this page apply to the specific product and model. Under our policy of continuous improvement, these dimensions and specifications may change at any time. You should therefore check with Fisher & Paykel's Customer Care Centre to ensure this page correctly describes the model currently available. ? Fisher & Paykel Appliances Ltd 2020

Other product downloads available at fisherpaykel.com

- [↓](#) Quick Start Guide
- [↓](#) User Guide
- [↓](#) User Guide
- [↓](#) Energy Label
- [↓](#) Installation Guide
- [↓](#) Installation Guide



A PEACE OF MIND SALE

24 Hours 7 Days a Week Customer Support

T 1.888.936.7872 Wwww.fisherpaykel.com