



Spec Sheet

DVA T8

Active 3-Way Line Array Module
8" / 6.5" / 2x1", 700W **digipro G2**



Applications

- Sound reinforcement for large size venues
- Installations in clubs, theaters, houses of worship
- Downfill coverage in combination with T12's systems

Features

- Fully powered Three-Way unit
- 700W Class-D Digipro G2 amplifier
- Network-ready with an Integrated RDNet port
- 56bit DSP - 24bit\48KHz A/D conv.
- 9 on-board preset equalizations
- Switched Mode Power Supply with PFC (90V-240V)
- Only 14.2-kg (31.3 lbs.) weight
- Mechanically and acoustically compatible with DVA T series systems

Description

DVA T8 is the most advanced incarnation of a string of successful line array systems that started with the DVA T4. Loaded with state-of-the-art neodymium woofers, the DVA T8 features a high-performance digital power amp with 700W/RMS total output, a high-end 56-bit DSP, and premium-quality AD-DA converters. These superior components come together to deliver superior audio quality and high SPL. Remarkably easy to handle, this lightweight, 14.2kg line array's powerful performance belies its look of subdued elegance and small footprint. It's hard to believe that something so petite can pack such a mighty punch.

The DVA T8 is a fully active, three-way speaker system equipped with the same innovative

technologies that feature so prominently in the DVA T12.

Its double power supply, DSP, power amps, woofers and drivers were all developed and painstakingly tuned specifically for the DVA T8 system by the dBTechnologies team of engineers.

The DVA T8 sports constant directivity horns, HF drivers, and midrange woofers optimized to deliver a uniform 100°-by-15° coverage pattern. It makes the most of two acoustical effects to help distribute SPL evenly.

One is the vector addition of individual horns output; the other is cylindrical wave formation. These two effects come together to create a uniform coverage pattern that is easily adapted to different venues by varying the length of the array and adjusting the splay between individual components.

The 1 neodymium HF drivers feature 1.4 Mylar diaphragms. Exceptionally light and responsive, they deliver richly detailed signals with remarkably linear frequency response. Developed especially for use in line arrays, these drivers may be deployed in very close proximity to one another. This is essential to minimize interference in such arrays.

Loaded with a custom 6.5 neodymium midrange, the DVA T8 also delivers excellent midrange response, which has such a formative influence on shaping the sonic image. The midrange is housed in a sealed chassis. Its high BL factor makes it even more responsive so that it renders transients faithfully. A phase plug feeds into a frontloaded horn tuned to achieve a uniform coverage pattern.

A powerful 8 neodymium woofer, paired with a 350W power amp, covers the low frequency range with an assertive punch that reaches down to 70 Hz.

DVA T8

Technical Specifications

System Specifications

Loudspeaker Type		Three-way Active line array module
Max SPL		132 dB
Frequency Response	(-6 dB) (-10 dB)	66Hz - 18 kHz 61Hz - 19.9 kHz
Inputs		1x XLR 1x RJ45 (RDNet input)
Input Sensitivity	Nominal	0 dBu
Controls		1x Input Sensitivity rotary 1x EQ rotary switch (9 presets) 1x USB type "B" port (service data)
Drivers	LF MF HF	1x 8" neodymium woofer - 2,5" v.c. 1x 6,5" neodymium midrange - 2" v.c. 2x 1" neodymium CD - 1.4" v.c.
Dispersion pattern	(HxV)	100° x 15°

Amplifier

Amplifier		Class-D Digipro G2™
	RMS Power	700 Watt
	Peak Power	1400 Watt
	LF	350 W/RMS
	MF	175 W/RMS
	HF	175 W/RMS
Power Connections		Powercon® (in and out)
Power supply	Main PSU	750W SMPS full-range with active PFC (100V-240V~)
	Logic and control PSU	15W SMPS full-range (100V-240V~)
Cooling		Convection, fan-free
Advanced Features		Intelligent Power On Sequence (I.P.O.S.) circuit

Processor

Audio Processing	DSP A/D conv.	56bit with double precision filters 24 bit/96 kHz
X-over frequencies	LF-MF MF-HF	400Hz, 24dB/oct. 1900Hz, 24dB/oct.
Limiter		Dual active - Multiband - RMS/Peak - Thermal
Audio Presets		9 Audio Presets (8x HF and Lo-Mid correction and 1 for User Custom EQ)
Remote control		RDNet control (read/write data in real time)

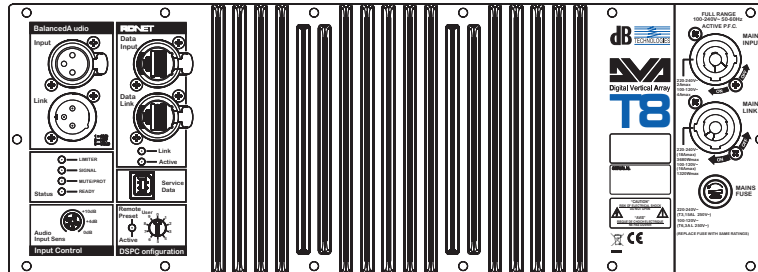
Mechanics

Dimensions (WxHxD)		580 x 240 x 327 mm 22.83 x 9.45 x 12.87 in
Weight		14.2 kg (31.3 lbs)
Enclosure	Box Internal structure Flying support	Polypropylene PP Metal reinforced Steel
Handles		1x left side 1x right side
Splay Angles		0° - 1,5° - 3° - 4,5° - 6° - 8° - 10° - 12,5° - 15°
Fittings		Integrated hardware

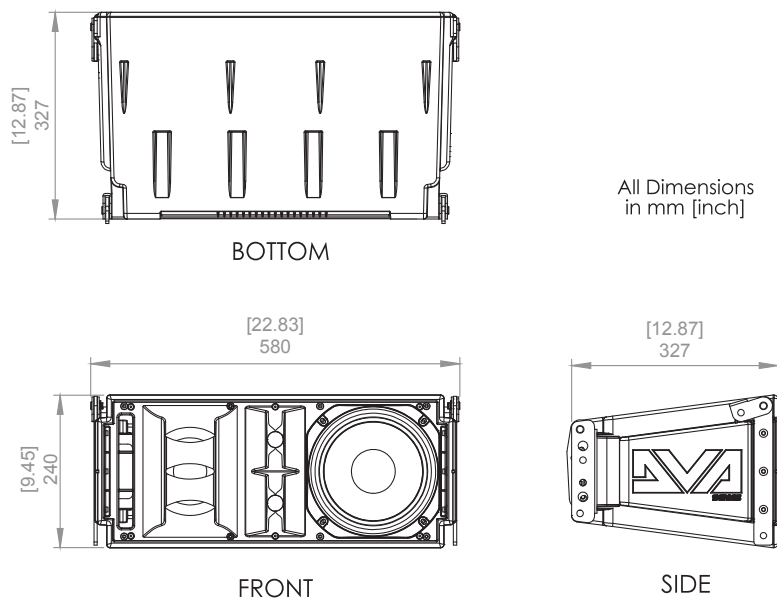
DVA T8

Technical Specifications

Rear Panel



Overall Dimensions



Accessories

DAC 15	Powercon-Powercon link cable. 1,5m length
DCK 15	Cable-set with 1xPowercon-Powercon Patch Cable 50cm, 1xXLR-XLR Patch Cable 50cm
DCK 45	Set with 1xPowercon/IEC Plug cable 10m, 3x Powercon slave 50cm, 3xXLR cable 50cm
DF 4	Fly case for DVA T4 and T8 modules
DPC 15	Powercon-Powercon power link cable (50cm)
DRK-10	Fly bar for DVA systems. Designed to hang up to a maximum weight of 250 Kg
DRK-20	Fly bar for DVA systems. Designed to hang up to a maximum weight of 1800 kg
DRK-20M	Motorized fly bar for DVA systems with RDNet control. Maximum weight of 1000 kg
DS 2	Pole Mount 35mm, adjustable, M20 thread
DSA 4	Adapter for up to 3 DVA T4/T8 on a speaker stand/pole or floor use
DT 6	Metal trolley to carry up to 6 DVA T4/T8 modules or up to 4 DVA T12 modules
DTF 4	Bundle: DT 6 Metal-Trolley + Professional Flight case DF 4
DWB 3	Metal frame for hanging up to 3 DVA T4/T8 modules in fixed installations on walls
RJ45-RJ45-150	RJ45-RJ45 link cable (150cm) for RDNet-equipped speakers
RJ45-RJ45-75	RJ45-RJ45 link cable (75cm) for RDNet-equipped speakers

info@dbtechnologies.com www.dbtechnologies.com

dBTechnologies products are continually improved. All specifications are therefore subject to change without notice.