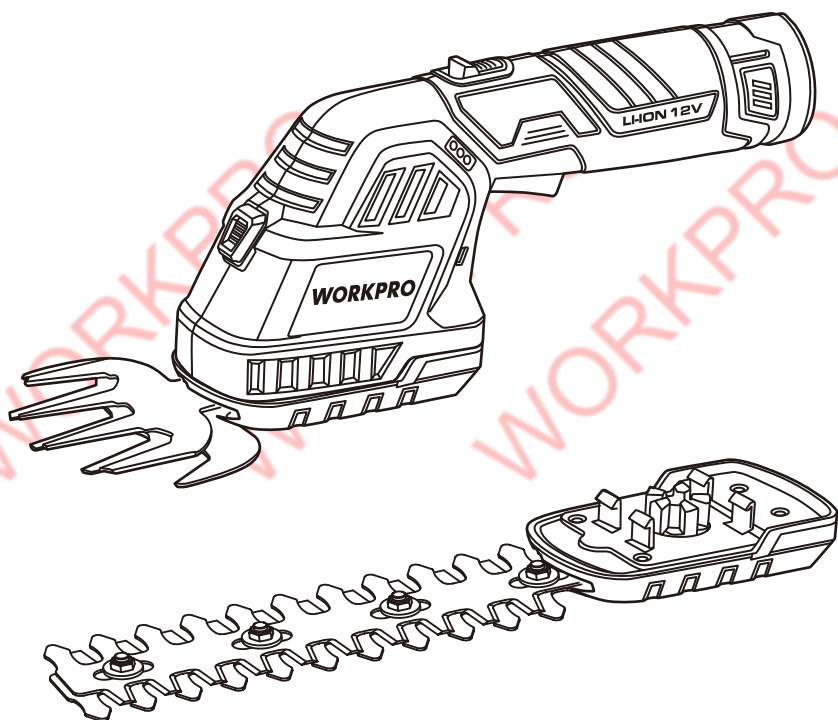


# WORKPRO

---

W159039A

## ORIGINAL OPERATING INSTRUCTIONS 12V CORDLESS GRASS SHEAR & SHRUBBERY TRIMMER



---

Distributed by:  
Hangzhou GreatStar Industrial Co., Ltd.  
No.35 Jiuquan Road, Jiubao Town,  
Hangzhou 310019, China  
[www.greatstartools.com](http://www.greatstartools.com)  
Made in China



**Danger!** - Read the operating instructions to reduce the risk of injury.



Hazard symbols with information on prevention of personal injury and property damage



Keep all other persons away from the danger zone.



Protect the tool from the damp and never expose it to rain.



**Important!** The cutter blades continue to run after the motor is switched off. Wait for the blades to come to a standstill. Risk of injury!



Guaranteed sound power level.

## Danger!

When using the equipment, a few safety precautions must be observed to avoid injuries and damage. Please read the complete operating instructions and safety regulations with due care. Keep this manual in a safe place, so that the information is available at all times. If you give the equipment to any other person, hand over these operating instructions and safety regulations as well. We cannot accept any liability for damage or accidents which arise due to a failure to follow these instructions and the safety instructions.

## 1. General Power Tool Safety Warnings

### Warning!

Read all safety warnings, instructions, illustrations and specifications provided with this power tool. Failure to follow all instructions listed below may result in electric shock, fire and/or serious injury.

Save all warnings and instructions for future reference.

The term "power tool" in the warnings refers to your mains-operated (corded) power tool or battery-operated (cordless) power tool.

### 1) Work area safety

- **Keep work area clean and well lit.** Cluttered or dark areas invite accidents.
- **Do not operate power tools in explosive atmospheres, such as in the presence of flammable liquids, gases or dust.** Power tools create sparks which may ignite the dust or fumes.
- **Keep children and bystanders away while operating a power tool.** Distractions can cause you to lose control.

### 2) Electrical safety

- **Power tool plugs must match the outlet. Never modify the plug in any way.** Do not use any adapter plugs with earthed (grounded) power tools. Unmodified plugs and matching outlets will reduce risk of electric shock.
- **Avoid body contact with earthed or grounded surfaces, such as pipes, radiators, ranges and refrigerators.** There is an increased risk of electric shock if your body is earthed or grounded.
- **Do not expose power tools to rain or wet conditions.** Water entering a power tool will increase the risk of electric shock.
- **Do not abuse the cord. Never use the cord for carrying, pulling or unplugging the power tool.** Keep cord away from heat, oil, sharp edges or moving parts. Damaged or entangled cords increase the risk of electric shock.

- **When operating a power tool outdoors, use an extension cord suitable for outdoor use.** Use of a cord suitable for outdoor use reduces the risk of electric shock.
- **If operating a power tool in a damp location is unavoidable, use a residual current device (RCD) protected supply.** Use of an RCD reduces the risk of electric shock.

### 3) Personal safety

- **Stay alert, watch what you are doing and use common sense when operating a power tool.** Do not use a power tool while you are tired or under the influence of drugs, alcohol or medication. A moment of inattention while operating power tools may result in serious personal injury.
- **Use personal protective equipment. Always wear eye protection.** Protective equipment such as a dust mask, non-skid safety shoes, hard hat or hearing protection used for appropriate conditions will reduce personal injuries.
- **Prevent unintentional starting. Ensure the switch is in the off-position before connecting to power source and/or battery pack, picking up or carrying the tool.** Carrying power tools with your finger on the switch or energising power tools that have the switch on invites accidents.
- **Remove any adjusting key or wrench before turning the power tool on.** A wrench or a key left attached to a rotating part of the power tool may result in personal injury.
- **Do not overreach.** Keep proper footing and balance at all times. This enables better control of the power tool in unexpected situations.
- **Dress properly.** Do not wear loose clothing or jewellery. Keep your hair and clothing away from moving parts. Loose clothes, jewellery or long hair can be caught in moving parts.
- **If devices are provided for the connection of dust extraction and collection facilities, ensure these are connected and properly used.** Use of dust collection can reduce dust-related hazards.
- **Do not let familiarity gained from frequent use of tools allow you to become complacent and ignore tool safety principles.** A careless action can cause severe injury within a fraction of a second.

### 4) Power tool use and care

- **Do not force the power tool.** Use the correct power tool for your application. The correct power tool will do the job better and safer at the rate for which it was designed.
- **Do not use the power tool if the switch does not turn it on and off.** Any power tool that cannot be controlled with the switch is dangerous and must be repaired.

■ **Disconnect the plug from the power source and/or remove the battery pack, if detachable, from the power tool before making any adjustments, changing accessories, or storing power tools.** Such preventive safety measures reduce the risk of starting the power tool accidentally.

■ **Store idle power tools out of the reach of children and do not allow persons unfamiliar with the power tool or these instructions to operate the power tool.** Power tools are dangerous in the hands of untrained users.

■ **Maintain power tools and accessories. Check for misalignment or binding of moving parts, breakage of parts and any other condition that may affect the power tool's operation.** If damaged, have the power tool repaired before use. Many accidents are caused by poorly maintained power tools.

■ **Keep cutting tools sharp and clean.** Properly maintained cutting tools with sharp cutting edges are less likely to bind and are easier to control.

■ **Use the power tool, accessories and tool bits etc.** in accordance with these instructions, taking into account the working conditions and the work to be performed. Use of the power tool for operations different from those intended could result in a hazardous situation.

■ **Keep handles and grasping surfaces dry, clean and free from oil and grease.** Slippery handles and grasping surfaces do not allow for safe handling and control of the tool in unexpected situations.

## 5) Service

■ Have your power tool serviced by a qualified repair person using only identical replacement parts. This will ensure that the safety of the power tool is maintained.

## 6) Battery tool use and care

- a. Ensure the switch is in the off position before inserting battery pack. Inserting the battery pack into power tools that have the switch on invites accidents.
- b. Recharge only with the charger specified by the manufacturer. A charger that is suitable for one type of battery pack may create a risk of fire when used with another battery pack.
- c. Use power tools only with specifically designated battery packs. Use of any other battery packs may create a risk of injury and fire.

d. When battery pack is not in use, keep it away from other metal objects like paper clips, coins, keys, nails, screws, or other small metal objects that can make a connection from one terminal to another.

Shorting the battery terminals together may cause burns or a fire.

e. Under abusive conditions, liquid may be ejected from the battery; avoid contact. If contact accidentally occurs, flush with water. If liquid contacts eyes, additionally seek medical help. Liquid ejected from the battery may cause irritation or burns.

## ADDITIONAL SAFETY INSTRUCTIONS FOR THE CHARGER

Your WORKPRO tool with Lithium Ion batteries may only be charged with the specific designed WORKPRO Lithium Ion battery charger purchased with the tool.

**IT IS DANGEROUS TO USE ANY OTHER BATTERY CHARGER TO CHARGE YOUR TOOL.** Do not attempt to charge the battery pack with any other charger than the one supplied.

Before using the charger, read all the instructions, labels and cautionary markings on the charger and battery pack as well as the instructions on using the battery pack.

Do not use the charger if it has been subjected to a heavy knock, dropped or otherwise damaged in anyway. Take the charger to an authorised service centre for a check or repair.

Do not disassemble the charger. Opening or removing covers may expose you to dangerous voltages or other risks. Incorrect reassembly can cause electric shock when you use the tool or charger again. Take the charger to a power tool repair centre when service or repair is required.

**⚠ DANGER.** If the battery pack is cracked or damaged in any other way, do not insert it in the charger.

Do not plug anything other than your WORKPRO tool into the charger, as other objects may touch dangerous voltage points or short out parts, which could result in fire or electric shock.

Do not place the tool or charger on an uneven surface, as a fall may cause serious damage.

Never place the tool or charger near or over a heat source such as a radiator or heater.

Do not operate the charger in a cabinet or other enclosure unless proper ventilation is provided.

Use the battery charger indoors only.

**⚠ WARNING.** Do not allow any liquid to come into contact with the charger. There is a danger of electric shock. Do not position the tool or battery charger near water; for example, near a sink, wash bowl or toilet. Do not spill liquid of any kind on the tool or charger. Doing so may short out parts, causing damage to the product and creating the risk of fire or electric shock.

To reduce the risk of an electric shock, unplug the charger from the power supply before attempting to clean it. To clean tool or charger, wipe with a damp cloth. Use of any other cleaners is not recommended.

Do not place any object on to, or allow anything to rest on the charger.

Make sure that the charger cable is positioned where it will not be stepped on, tripped over or otherwise subjected to damage or stress. Keep the lead away from operating machinery.

Do not pull on the lead of the charger to disconnect it from the mains power socket.

Do not use an extension cord unless it is absolutely necessary. The use of an improper extension cord could cause the risk of fire, electric shock or electrocution.

Never attempt to connect two chargers together.

Do not charge batteries or use the tool and battery pack in locations where the temperature may be below 40°F(4°C) or exceed 104°F(40°C) such as alongside sheds or metal structures.

If you wish to charge a second battery pack, unplug the charger from the mains supply and leave it for at least 15 minutes. After this time you can charge a second battery pack.

#### **ADDITIONAL SAFETY INSTRUCTIONS RELATED TO THE BATTERY PACK AND BATTERY SAFETY**

Use only the WORKPRO batteries supplied with the WORKPRO Tool or WORKPRO-approved replacements.

Do not use the battery to power any device other than the WORKPRO tool it was sold with.

Charge the battery only with the WORKPRO charger supplied with the tool or WORKPRO-approved replacements and according to the instructions in the WORKPRO Instruction Manual.

Do not charge the battery in a place where static electricity is generated nor let the battery touch something that is statically charged.

The battery can be stored at temperatures between 40°F(4°C) and 104°F(40°C).

Never store or leave your lithium ion battery in temperatures over that recommended otherwise fire may occur.

DO NOT store the Lithium Ion battery anywhere that the temperature can easily reach higher temperatures than recommended -this includes garden type sheds, and vehicles where the inside temperature can climb to dangerous levels in the direct sunlight and on high temperature days. **THINK BEFORE LEAVING YOUR LITHIUM ION BATTERY PACK IN STORAGE.**

The battery can be charged or operated at temperatures between 40°F(4°C) and 104°F(40°C). **NEVER CHARGE YOU LITHIUM ION BATTERY BELOW OR ABOVE TEMPERATURES RECOMMENDED OTHERWISE FIRE OR SERIOUS DAMAGE TO THE BATTERY PACK MAY OCCUR.**

The most suitable temperatures to charge the battery pack are between 68°F(20°C) -77°F(25°C).

Always allow the battery pack to cool down after charging, do not place it in a hot environment such as a metal shed or open trailer left in the sun.

Take care where the tool is stored. Do not store in areas of corrosive fumes, or salt air or similar conditions. Try and store the tool in the packaging supplied with the tool.

Do not dispose of the battery in a fire or put the battery into a microwave oven, conventional oven, dryer, or high-pressure container. Under these conditions, the battery may explode.

Never attempt to open the battery pack, puncture the battery or subject the battery to strong physical shock.

If the plastic housing of the battery pack breaks open or cracks, immediately discontinue its use and do not recharge it. Ensure the battery pack clip is in good condition and will not allow the pack to fall free from the tool. If the clip is damaged or for any reason is not locking the pack in place, Do Not continue to use.

Stop using the battery if it exhibits abnormal heat, odour, colour, deformation, or is in an abnormal condition.

If you detect leakage or a foul odour, it is especially important to keep the battery away from fire. If battery liquid leaks onto your skin or clothes, wash well with clean water immediately. If liquid leaking from the battery gets into your eyes, do not rub your eyes. Rinse your eyes well (for at least 10 minutes) with clean water, and consult a doctor immediately.

Do not use a leaking battery.

Handle batteries with care to avoid shorting the battery with conducting materials, such as nails, screws, metal watch bands, rings, bracelets, and keys. The battery may overheat and could burn you.

After the battery has reached the end of its useful life, we recommend recycling the materials at your local municipal council recycling centre. **DO NOT** attempt to replace the battery cells in the battery pack, repair or modify any part of the battery pack assembly.

When recycling, make it nonconductive by applying insulating tape to the terminals located on the battery.

#### WHEN TO CHARGE THE BATTERY

New batteries are shipped in a low charged condition and should be fully charged before Use. The battery pack can be recharged at any time during use, provided the pack is not overheated.

If the battery pack starts to cut out due to low voltage, or previous tasks undertaken can no longer be performed, it is suggested to stop using the tool and recharge the battery.

For storage, it is suggested to recharge the battery between 50% and 75% charge. Charge the device at least once in 3-6 months to preserve battery life span.

#### IMPORTANT SAFETY INSTRUCTIONS FOR CORD-LESS GRASS SHEAR

**WARNING:** When using electric gardening appliances, basic safety precautions should always be followed to reduce the risk of fire, electric shock, and personal injury, including the following:

1. Avoid dangerous environment - Do not use appliances in damp or wet locations.
2. Don't use in rain.
3. Keep children away - All visitors should be kept at a distance from work area.
4. Dress properly - Do not wear loose clothing or jewelry. They can be caught in moving parts. Use of rubber gloves and substantial footwear is recommended when working outdoors. Wear protective hair covering to contain long hair.
5. Use Safety Glasses - Always use face or dust mask if operation is dusty.
6. Use Right Appliance - Do not use appliance for any job except that for which it is intended.
7. Avoid Unintentional Starting - Do not carry appliance with finger on switch. Be sure switch is off before inserting battery pack.
8. Do not grasp the exposed cutting blades or cutting edges when picking up or holding the appliance.
9. Do not Force Appliance - It will do the job better and with less likelihood of a risk of injury at the rate for which it was designed.
10. Do not Overreach - Keep proper footing and balance at all times.
11. Stay Alert - Watch what you are doing. Use common sense. Do not operate appliance when you are tired.
12. Store Idle Appliances Indoors - When not in use, appliances should be stored indoors in dry, and high or locked-up place out of reach of children.
13. Maintain Appliance With Care - Keep cutting edge sharp and clean for best performance and to reduce the risk of injury. Follow instructions for lubricating and changing accessories. Keep handles dry, clean, and free from oil and grease.
14. Check Damaged Parts - Before further use of the appliance, a guard or other part that is damaged should be carefully checked to determine that it will operate properly and perform its intended function. Check for alignment of moving parts, binding of moving parts, breakage of parts, mounting, and any other condition that may affect its operation. A guard or other part that is damaged should be properly repaired or replaced by an authorized service center unless indicated elsewhere in this manual.
15. Keep hands away from blades.
16. Do not use or charge appliance in rain, or in wet locations.
17. Do not use battery-operated appliance in rain.
18. Remove or disconnect battery before servicing, cleaning or removing material from the appliance. Such preventive safety measures reduce the risk of starting the appliance accidentally.
19. Use only the battery(ies) listed in "SPECIFICATIONS". Use of any other batteries may create a risk of fire.
20. Exercise care in handling batteries in order not to short the battery with conducting materials such as rings, bracelets, and keys. The battery or conductor may overheat and cause burns.
21. Use safety equipment. Always wear eye protection. Dust mask, non-skid safety shoes, hard hat, or hearing protection must be used for appropriate conditions.
22. Be aware that this appliance is always in an operating condition, because it does not have to be plugged into an electrical outlet.
23. Do not operate appliances in explosive atmospheres, such as in the presence of flammable liquids, gases, or dust. Appliances create sparks which may ignite the dust or fumes.
24. A battery operated appliance with integral batteries or a separate battery pack must be recharged only with the specified charger for the battery. A charger that may be suitable for one type of battery may create a risk of fire when used with another battery.
25. Use battery operated appliance only with specifically designated battery pack. Use of any other batteries may create a risk of fire.
26. Remove adjusting keys or wrenches before turning the appliance on. A wrench or a key that is left attached to a rotating part of the appliance may result in personal injury.

27. Do not use appliance if switch does not turn it on or off. An appliance that cannot be controlled with the switch is dangerous and must be repaired.
  28. Use only accessories that are recommended by the manufacturer for your model. Accessories that may be suitable for one appliance may create a risk of injury when used on another appliance.
  29. Appliance service must be performed only by qualified repair personnel. Service or maintenance performed by unqualified personnel may result in a risk of injury.
  30. When servicing an appliance, use only identical replacement parts. Follow instructions in the Maintenance section of this manual. Use of unauthorized parts or failure to follow Maintenance instructions may create a risk of shock or injury.
  31. Before cutting grass, remove foreign matter such as rocks and large sticks from the work area. Be careful not to catch foreign matter between blades, otherwise blades may be jammed. If this happens, switch the appliance off. Then remove the obstruction from the blades.
  32. When not in use, be sure to cover the blades with blade cover.
  33. If the blades stop moving due to the stuck of foreign objects between the blades during operation, switch off the tool and remove the battery cartridge, and then remove the foreign objects using tools such as pliers. Removing the foreign objects by hand may cause an injury for the reason that the blades may move in reaction to removing the foreign objects.
2. Carry the hedge trimmer by the handle with the blade stopped and taking care not to operate any power switch. Proper carrying of the hedge trimmer will decrease the risk of inadvertent starting and resultant personal injury from the blades.
  3. When transporting or storing the hedge trimmer, always fit the blade cover. Proper handling of the hedge trimmer will decrease the risk of personal injury from the blades.
  4. When clearing jammed material or servicing the unit, make sure all power switches are off and the battery pack is removed or disconnected. Unexpected actuation of the hedge trimmer while clearing jammed material or servicing may result in serious personal injury.
  5. Hold the hedge trimmer by insulated gripping surfaces only, because the blade may contact hidden wiring. Blades contacting a "live" wire may make exposed metal parts of the hedge trimmer "live" and could give the operator an electric shock.
  6. Keep all power cords and cables away from cutting area. Power cords or cables may be hidden in hedges or bushes and can be accidentally cut by the blade.
  7. Do not use the hedge trimmer in bad weather conditions, especially when there is a risk of lightning. This decreases the risk of being struck by lightning.

## 2. Layout and items supplied

### 2.1 Layout (Fig. 1)

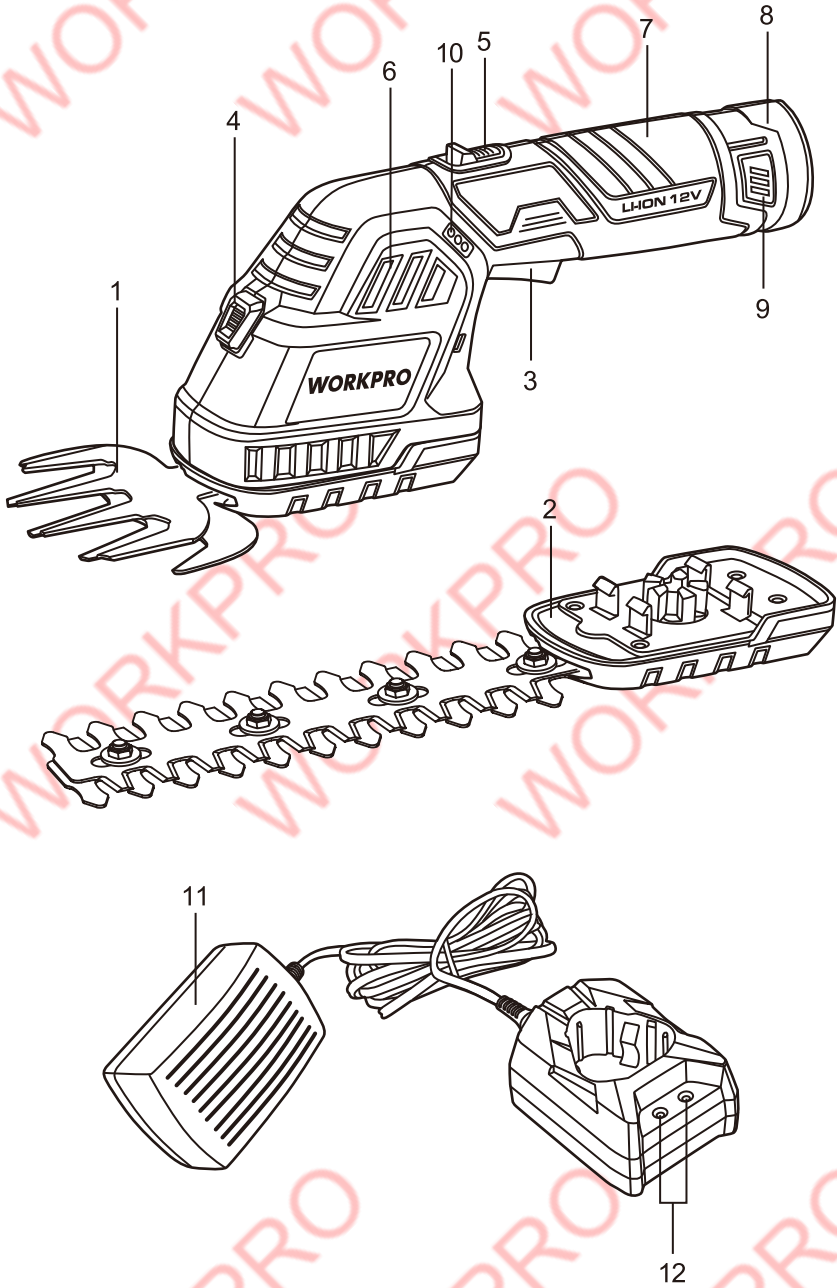
1. Grass shear blade
2. Shrubbery blade
3. On/Off switch
4. Blade release button
5. Lock off button
6. Ventilation holes
7. Handle
8. Battery pack
9. Battery pack release button
10. Battery capacity indicator
11. Battery pack charger with base
12. Charger indicator

### CORDLESS HEDGE TRIMMER SAFETY WARNINGS

**⚠ WARNING:** Drilling, sawing, sanding or machining wood products can expose you to wood dust, a substance known to the State of California to cause cancer. Avoid inhaling wood dust using a dust mask or other safeguards for personal protection. For more information go to [www.P65Warnings.ca.gov/wood](http://www.P65Warnings.ca.gov/wood).

1. Keep all parts of the body away from the blade. Do not remove cut material or hold material to be cut when blades are moving. Blades continue to move after the switch is turned off. A moment of inattention while operating the hedge trimmer may result in serious personal injury.

Fig.1






## 2.2 Unpacking

### Carton contents

- Cordless Grass Shear & Shrubbery Trimmer
- Shrubbery blade
- Grass shear blade
- Battery pack
- Battery pack charger with base
- Operation manual

1. Carefully remove the cordless grass shear & shrubbery trimmer and check to see that all of the above items are supplied.
2. Inspect the product carefully to make sure no breakage or damage occurred during shipping. If you find damaged or missing parts, please contact us at the first time.

 **NOTE:** Do not discard the shipping carton and packaging material until you are ready to use your new cordless grass shear & shrubbery trimmer. The packaging is made of recyclable materials. Properly dispose of these materials in accordance with local regulations.

### Important!

The equipment and packaging material are not toys. Do not let children play with plastic bags, foils or small parts. These items can be swallowed and pose a suffocation risk!

## 3. Proper use

The equipment is designed for cutting the edges of lawns and small areas of grass in private and hobby gardens. The tool can be used to trim small hedges and shrubs.

Tools for private and hobby gardens are not suitable for use in public facilities, parks and sport centers, along roadways, on farms or in the forestry sector. For the tool to be used properly it is imperative to follow the instructions set out in the manufacturer's directions for use.

### Warning!

It is prohibited to use the tool to chop material for composting because of the potential danger to persons and property.

The machine is to be used only for its prescribed purpose. Any other use is deemed to be a case of misuse. The user / operator and not the manufacturer will be liable for any damage or injuries of any kind caused as a result of this.

Please note that our equipment has not been designed for use in commercial, trade or industrial businesses or for equivalent purposes.

## 4. Technical data

Cutting width of grass shears	4.92"(125mm)
Cutting length of shrub shears	6.30"(160mm)
Cutting thickness of shrub shears	0.30"(7.7mm)
No load operation time	70min (grass shear)
No load operation time	80min (shrubbery)
Battery	Lithium-ion / 12V DC/2.0Ah
Charging time	Approx. 60min
Battery charger	Input 100-240V~ 50/60HZ 0.8A Output 13.5V $\Rightarrow$ 2.0A

### Caution!

#### Residual risks


**Even if you use this electric power tool in accordance with instructions, certain residual risks cannot be ruled out. The following hazards may arise in connection with the equipment's construction and layout:**


- Lung damage if no suitable protective dust mask is used.
- Damage to hearing if no suitable ear protection is used.
- Health damage caused by hand-arm vibrations if the equipment is used over a prolonged period or is not properly guided and maintained.


## 5. Before starting the equipment



### 5.1 Charging the battery pack

 **CAUTION!** Risk of injury! Comply with all safety instructions when handling rechargeable devices.

 **Note:** The Li-Ion battery pack can be charged at any time without affecting the lifetime of the unit. Interrupting the charging process will not damage the battery pack.

 **Note:** If the battery is fully loaded, the charger automatically switches over to the maintenance charge function. The battery can thus remain in the charger permanently.

The battery pack must be charged prior to the first start-up ( charging time: around 60 minutes).

- Press in the release button (9) and remove the battery from the device.(Fig. 2-3)
- Insert the battery pack into the charger.(Fig. 4)
- Plug the charger into the power supply.

The charging status is displayed by the control lights (12). (more information ► **Charger Indicator** section)

- Slot the battery pack into the device and make sure it clicks into place correctly. (Fig. 5-6)

#### Checking the remaining capacity of the battery

- The remaining capacity of the battery is displayed by the 3 red/yellow/green LED control lights (10) . Battery capacity indicator as below:

**All 3 LEDs(RED/YELLOW/GREEN) are lit:**

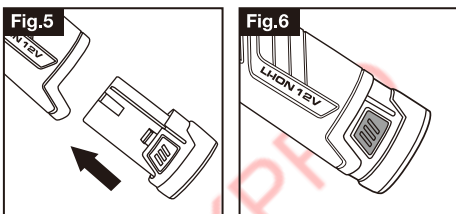
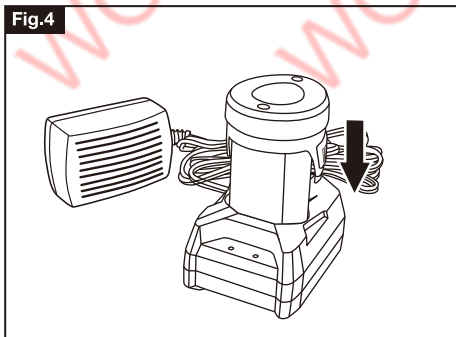
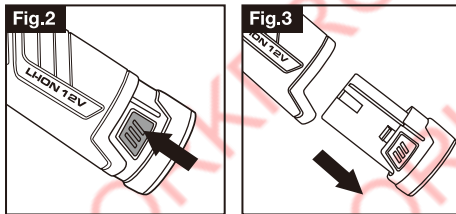
The battery is fully charged.

**2 LEDs (RED/YELLOW) are lit:**

The battery has an adequate remaining charge.

**1 LED(RED) is lit:**

The battery is in low power, please recharge the battery.



## 6. Operation

The area to be cut must first be cleared of stones and other solid objects. The safety lock-off prevents the tool being started unintentionally.

### ⚠ Warning!

The blades continue to move for a few seconds after the tool is switched OFF. Turn OFF the tool and wait until the blades come to a complete stop before adjusting or cleaning.

### ⚠ Caution!

Never touch the blade rail while the tool is in operation and be aware of the sharp edges even when the grass and shrub shears is not in use.

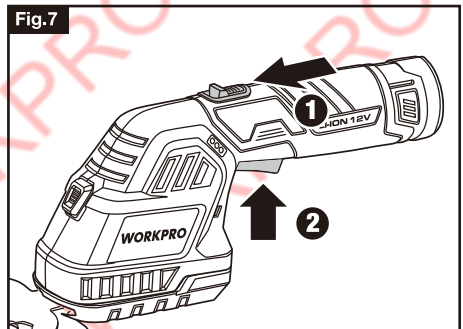
**ⓘ NOTE:** Do not touch the rotating blades.

### Switching on (Fig. 7)

Activate the Lock off button by pushing it and pressing the ON/OFF switch (3) at the same time.

### Switching off

To switch off the equipment, let go of the ON/OFF switch.



#### 6.1 Cutting grass

Allow the grass cutter to glide above the ground. The best results are achieved when the lawn is dry.

When you notice a drop in cutting performance, re-charge the tool immediately so that the battery does not become fully discharged.

#### 6.2 Trimming hedges

The tool can be used to trim small hedges and shrubs.

Hold the tool slightly tilted in relation to the hedge you want to cut. First cut the sides from the bottom up, then cut the top.

Watch out for foreign objects in or on the hedge which could damage the blades.

When is the best time to trim hedges?

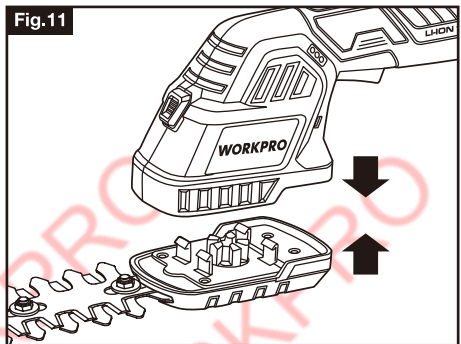
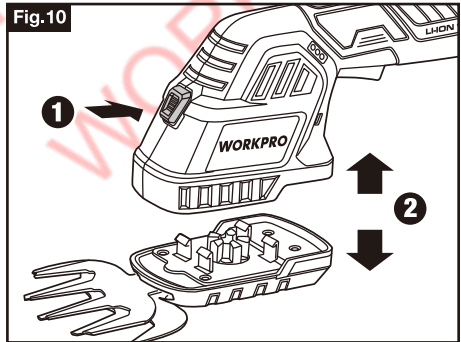
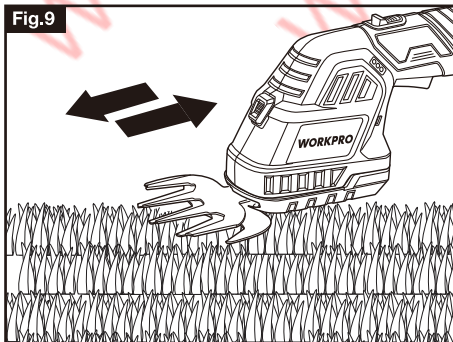
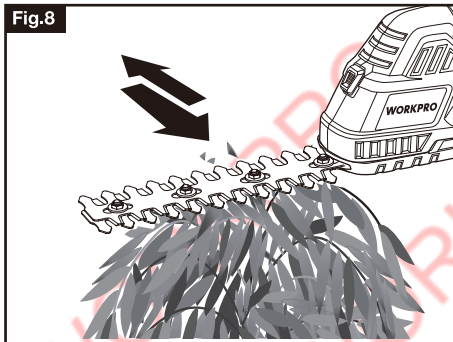
- As a general rule, hedges which lose their leaves in the autumn should be trimmed in June and October.
- Hedges which do not lose their leaves should be cut in April and August.

## 6.4 Changing the blade (Fig. 8-11)

**⚠ Warning!** Risk of injury!

**Remove the battery pack from the tool before changing blades.**

- The grass and shrubbery shears is equipped with two interchangeable blades that are designed for do-it-yourself grooming projects around your garden. The shrubbery blade (2) is used to cut hedges and shrubbery (Fig. 8) while the grass shear blade (1) is used to cut grass and hedges where finer detail is required (Fig. 9).
- To fit or change the blade, hold the grass shear & shrubbery trimmer on head top.
- Press the blade release button(4), and pull down the blade rear box. (Fig. 10)
- Insert the desired blade into the base of the motor housing till the blade rear box locks into position. (Fig. 11)



## 7. Cleaning, maintenance

**Remove the battery pack from the tool before cleaning and the maintenance.**

### 7.1 Cleaning

- Keep all safety devices, air vents and the motor housing free of dirt and dust as far as possible. Wipe the equipment with a clean cloth or blow it with compressed air at low pressure.
- We recommend that you clean the device immediately each time you have finished using it.
- Clean the equipment regularly with a moist cloth and some soft soap. Do not use cleaning agents or solvents, these could attack the plastic parts of the equipment. Ensure that no water can seep into the device.
- A few drops of oil (e.g. sewing machine oil) will improve the cutting performance of the blades, but never apply any grease to the blades.
- To ensure constant exact cutting it is also important to remove grass remnants and dirt from between the upper and lower blade.

### Caution!

Never clean the tool under running water and particularly never with high pressure washer, because of the potential danger to persons and property. Keep your cordless grass and shrubbery shear in a dry and frost-proof place. Choose a place that children are unable to enter.

### 7.2 Maintenance

- To achieve good results you should keep the blades sharp at all times. In particular we recommend that you immediately level off any jags or ridges caused by stones or the like. The tool should be thoroughly cleaned both before and after use.
- There are no parts inside the equipment which require additional maintenance.
- For storage, it is suggested to recharge the battery between 50% and 75% charge. Charge the device at least once in 3-6 months to preserve battery life span.

## 8. Disposal and recycling



The unit is supplied in packaging to prevent its being damaged in transit. This packaging is raw material and can therefore be reused or can be returned to the raw material system.



The unit and its accessories are made of various types of material, such as metal and plastic. Defective components must be disposed of as special waste. Ask your dealer or your local council.



Li-ion

Think of the environment when disposing of batteries. Contact your local authorities to find out where your nearest disposal area is. Do not dispose of batteries with domestic refuse. Do not dispose of by burning, risk of explosion.

## CHARGER INDICATOR

Indicator Status		Explanations and Actions
Red LED	Green LED	
OFF	ON	<b>Ready for use</b> The charger is connected to the mains and is ready for use; there is no battery pack in the charger.
ON	OFF	<b>Charging</b> The charger is charging the battery pack in quick charge mode.
OFF	ON	<b>The battery is charged and ready for use.</b> The battery is fully charged and ready for use. <b>Action:</b> Take the battery pack out of the charger. Disconnect the charger from the mains supply.