

Day-Brite/CFI DSRT Selectable Troffer is a robust low glare luminaire designed to provide three lumen and three CCT field selectable options per size. Available for use in recessed, suspended and surface mount applications. Ideal for general lighting applications such as open office, schools, healthcare, and retail.

Project: _____
 Location: _____
 Cat.No: _____
 Type: _____
 Qty: _____
 Notes: _____



Ordering guide

Catalog Code	Size	Voltage	Power / Wattage			Lumens ¹			Efficacy		
			3500K	4000K	5000K	3500K	4000K	5000K	3500K	4000K	5000K
1DSRT3050LCS-4-UNV-DIM	1x4	UNV	39	39	39	5000	5150	5000	128	132	128
1DSRT3050LCS-4-UNV-DIM	1x4	UNV	31	31	31	4000	4100	4000	129	132	129
1DSRT3050LCS-4-UNV-DIM	1x4	UNV	23	23	23	2850	2900	2900	124	126	126
2DSRT3050LCS-2-UNV-DIM	2x2	UNV	35	35	35	4350	4500	4400	124	129	126
2DSRT3050LCS-2-UNV-DIM	2x2	UNV	28	28	28	3650	3800	3700	130	136	132
2DSRT3050LCS-2-UNV-DIM	2x2	UNV	22	22	22	2750	2750	2800	125	125	127
2DSRT4060LCS-4-UNV-DIM	2x4	UNV	46	46	46	6000	6150	6100	130	134	133
2DSRT4060LCS-4-UNV-DIM	2x4	UNV	39	39	39	5000	5150	5000	128	132	128
2DSRT4060LCS-4-UNV-DIM	2x4	UNV	30	30	30	4000	4100	4000	133	137	133
1DSRT3050LCS-4-UNV-DIM-DAYOCC	1x4	UNV	39	39	39	5000	5150	5000	128	132	128
1DSRT3050LCS-4-UNV-DIM-DAYOCC	1x4	UNV	31	31	31	4000	4100	4000	129	132	129
1DSRT3050LCS-4-UNV-DIM-DAYOCC	1x4	UNV	23	23	23	2850	2900	2900	124	126	126
2DSRT3050LCS-2-UNV-DIM-DAYOCC	2x2	UNV	35	35	35	4350	4500	4400	124	129	126
2DSRT3050LCS-2-UNV-DIM-DAYOCC	2x2	UNV	28	28	28	3650	3800	3700	130	136	132
2DSRT3050LCS-2-UNV-DIM-DAYOCC	2x2	UNV	22	22	22	2750	2750	2800	125	125	127
2DSRT4060LCS-4-UNV-DIM-DAYOCC	2x4	UNV	46	46	46	6000	6150	6100	130	134	133
2DSRT4060LCS-4-UNV-DIM-DAYOCC	2x4	UNV	39	39	39	5000	5150	5000	128	132	128
2DSRT4060LCS-4-UNV-DIM-DAYOCC	2x4	UNV	30	30	30	4000	4100	4000	133	137	133

1. Nominal delivered lumens at 25°C ambient

Accessories (order separately)

- **DBELIS10WKit** - 10W Selectable Nano Inverter EM Kit (field installed option not for 277V applications)
- **DSRT-CKT-NP** - Selectable Troffer Suspension Kit with no Power
- **DSRT-CKT-WP** - Selectable Troffer Suspension Kit with Power
- **1DSRT-4-SKT** - 1x4' Selectable Troffer Surface Kit
- **2DSRT-2-SKT** - 2x2' Selectable Troffer Surface Kit
- **2DSRT-4-SKT** - 2x4' Selectable Troffer Surface Kit
- **FMA14** - 1'x4' "F" mounting frame for NEMA "F" mounting
- **FMA22** - 2'x2' "F" mounting frame for NEMA "F" mounting
- **FMA24** - 2'x4' "F" mounting frame for NEMA "F" mounting



DSRT Selectable Troffer

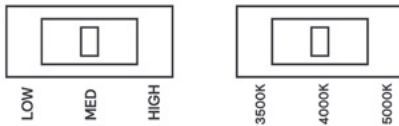
Selectable lumens & CCT

Application

- Overall 2.76in deep luminaire, including driver box
- Even distribution of light on the lens provide very low glare
- General light distribution creates uniform horizontal and vertical illuminance
- CRI 80 minimum colour rendering with balanced spectrum
- Accessory field install kits available for surface mounting

Field Selectable CCT and Wattage

- CCT can easily be selected in the field between 5000K (CW); 4000K (NW); 3500K (WW).
- Wattage selection allows for easy field selection between three lumen packages (see performance chart for details).
- Factory default settings noted in image below:



Enclosure

- Polystyrene diffuser provides visual comfort and high efficiency
- Lens is easy to detach for cleaning
- Opal lens provides a uniform aesthetic on the ceiling plane
- Tight enclosure assembly impedes ingress of dust and insects

Electrical

- Up to 125 lm/W efficacy
- Driver featuring high power factor (>0.90), 120-277V 60/50Hz, and less than 25% THD
- Operating temperature -10°C-40°C
- Standard configurations are 0-10V dimming to 1%
- 50,000 hours @ L70B50
- cETLus listed to ETL and CSA standards, suitable for damp locations
- IC rated
- DSRT Selectable Troffer luminaires are Designlights Consortium® Premium qualified.
- Please see the DLC QPL list for exact catalogue numbers www.designlights.org/QPL

Construction/Finish

- Strong and well constructed 3in deep 5VA housing
- Die formed driver box with standard access plate for ease of wiring
- Integral clips accommodate definitive attachment to T-bar grid for recessed applications

Sensor

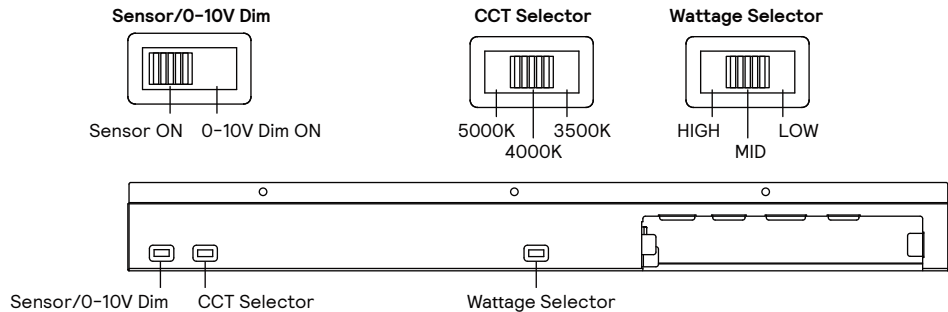
- DAYOCC sensor options available with 3 control settings (Occupancy, Daylighting & Dimming)
- Sensor provides five coverage patterns to ensure accuracy

General Notes

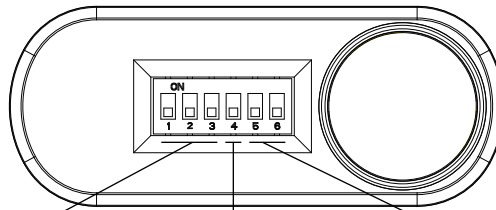
- All accessories are field installed.
- All options are factory installed.
- Many luminaire components, such as reflectors, refractors, lenses, sockets, lampholders, and LEDs are made from various types of plastics which can be adversely affected by airborne contaminants. If sulfur based chemicals, petroleum based products, cleaning solutions, or other contaminants are expected in the intended area of use, consult factory for compatibility.
- Five year limited luminaire warranty includes LED boards and driver. Visit www.signify.com/warranties for complete warranty information.

Sensor Features

1. Sensor/0-10V Dim = Enable or Disable Sensor (Default: Enabled)
2. CCT Selector = Choose between 3500K, 4000K or 5000K (Default: 4000K)
3. Power Selector = Choose between Low, Mid or High (Default: High)



Sensor control settings



Occupied timeout
Switches 1, 2, & 3
Default = 10 seconds

ON ↑
OFF ↓

Time: 1, 2, 3

Time	1	2	3
10 sec	↓	↓	↓
30 sec	↓	↓	↑
1 min	↓	↑	↓
3 min	↓	↑	↑
5 min	↑	↓	↓
10 min	↑	↓	↑
15 min	↑	↑	↓
30 min	↑	↑	↑

Stand-by dimming level
Switch 4
Default = 20% dimming

ON ↑
OFF ↓

Stand-by level: 4

↑ 50%
↓ 20%

Stand-by timing level
Switches 5 & 6
Default = 1 minute

ON ↑
OFF ↓

Stand-by L-times: 5, 6

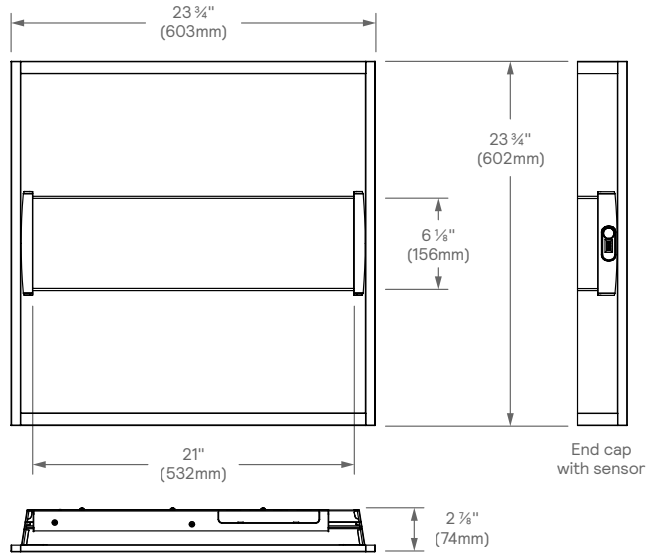
Time	5	6
1 min	↓	↓
30 min	↓	↑
60 min	↑	↓
+∞	↑	↑

DSRT Selectable Troffer

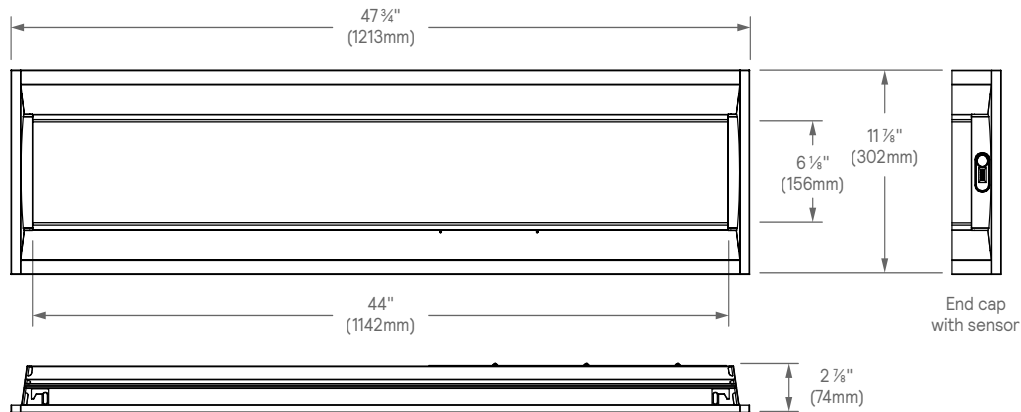
Selectable lumens & CCT

Standard Configurations

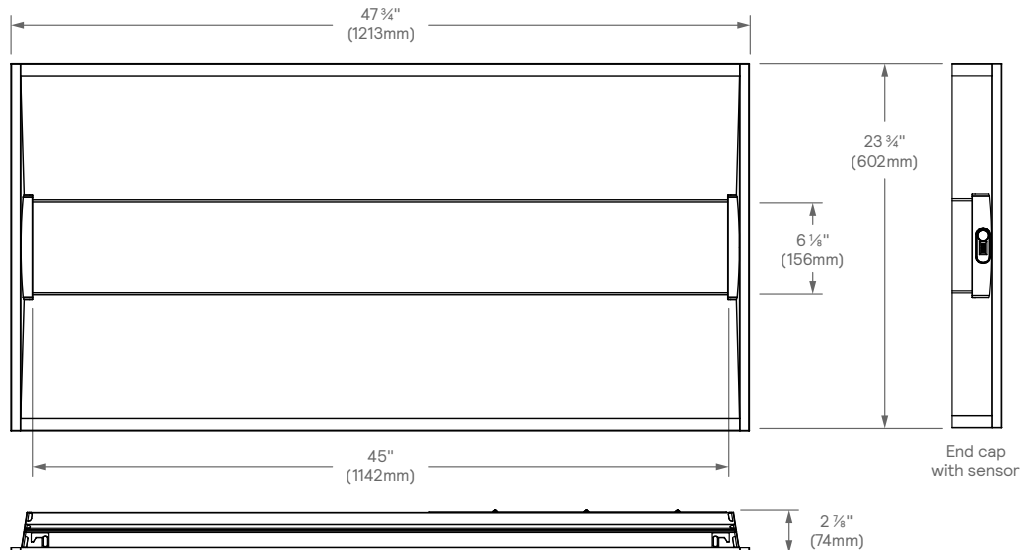
2x2 dimensions



1x4 dimensions



2x4 dimensions



DSRT Selectable Troffer

Selectable lumens & CCT

Photometry

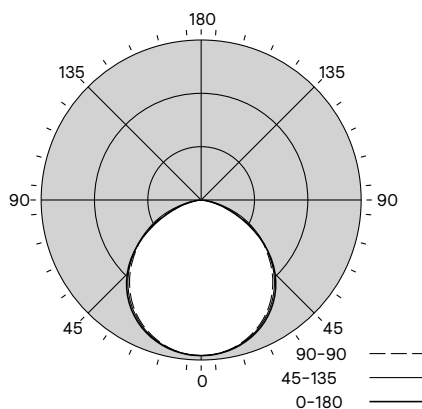
1DSRT3050LCS-4-UNV-DIM H

Luminaire Lumens 5000
 Luminaire Efficacy Rating (LER) 132
 Total Luminaire Watts 38
 Spacing Criterion (0-180) 1.28

Candela Distribution						Flux
	0	22.5	45	67.5	90	Lumens
0	1674	1674	1674	1674	1674	
5	1667	1667	1667	1667	1667	159
15	1608	1608	1608	1608	1607	454
25	1488	1488	1487	1487	1487	684
35	1304	1304	1304	1304	1304	815
45	1057	1057	1057	1057	1057	822
55	737	739	741	745	749	703
65	399	403	408	420	432	500
75	155	160	165	178	191	294
85	26	27	28	33	37	69
90	0	0	0	0	1	

Zonal Lumen Summary			
Zone	Lumens	%Fixture	%Lamp
0-30	1439	28.8%	28.8%
0-40	2356	47.1%	47.1%
0-60	4108	82.2%	82.2%
0-90	5000	100.0%	100.0%
0-180	4721	100.00%	100.00%

Average Luminance (cd/m²)			
	0	90	180
45	4785	4703	4584
55	4327	4359	4296
65	3422	3884	3631
75	2330	2845	2180
85	1233	1380	1067



Coefficients of Utilization %											
Pc---	80				70			50			0
Pw---	70	50	30	10	70	50	30	50	30	10	0
RCR											
0	119	119	119	119	116	116	116	111	111	111	100
1	109	105	101	97	107	103	99	98	95	93	85
2	100	92	86	80	97	90	84	87	82	77	72
3	91	81	73	67	89	80	72	77	70	65	61
4	84	72	64	57	81	71	63	68	61	56	52
5	77	64	56	49	75	63	55	61	54	48	45
6	71	58	49	43	69	57	49	55	48	42	40
7	66	53	44	38	64	52	44	50	43	38	35
8	61	48	40	34	60	47	39	46	39	34	31
9	57	44	36	31	56	44	36	42	35	30	28
10	54	41	33	28	53	40	33	39	32	28	26

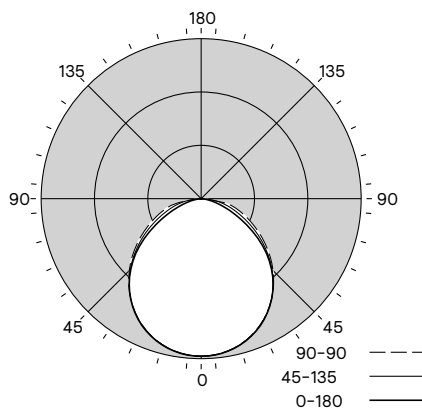
2DSRT3050LCS-2-UNV-DIM H

Luminaire Lumens 4095
 Luminaire Efficacy Rating (LER) 125
 Total Luminaire Watts 32.8
 Spacing Criterion (0-180) 1.27

Candela Distribution						Flux
	0	22.5	45	67.5	90	Lumens
0	1674	1674	1674	1674	1674	
5	1667	1667	1667	1667	1667	159
15	1608	1608	1608	1608	1607	454
25	1488	1488	1487	1487	1487	684
35	1304	1304	1304	1304	1304	815
45	1057	1057	1057	1057	1057	822
55	737	739	741	745	749	703
65	399	403	408	420	432	500
75	155	160	165	178	191	294
85	26	27	28	33	37	69
90	0	0	0	0	1	

Zonal Lumen Summary			
Zone	Lumens	%Fixture	%Lamp
0-30	1296	28.8%	28.8%
0-40	2111	46.9%	46.9%
0-60	3635	80.8%	80.8%
0-90	4500	100.0%	100.0%
0-180	4095	100.00%	100.00%

Average Luminance (cd/m²)			
	0	90	180
45	4100	4130	4190
55	3526	3771	3966
65	2589	3324	3785
75	1645	3031	3980
85	804	1907	1600



Coefficients of Utilization %											
Pc---	80				70			50			0
Pw---	70	50	30	10	70	50	30	50	30	10	0
RCR											
0	119	119	119	119	116	116	116	111	111	111	100
1	110	106	102	98	107	103	100	99	96	94	86
2	101	93	87	81	98	91	85	88	83	79	73
3	92	82	75	69	90	81	74	78	72	67	62
4	85	73	65	59	82	72	64	70	63	57	54
5	78	66	57	51	76	65	57	63	55	50	47
6	72	59	51	45	70	58	50	57	49	44	41
7	67	54	46	40	65	53	45	52	44	39	37
8	62	49	41	35	61	49	41	47	40	35	33
9	58	45	37	32	57	45	37	44	37	32	30
10	55	42	34	29	54	41	34	40	34	29	27

DSRT Selectable Troffer

Selectable lumens & CCT

Photometry

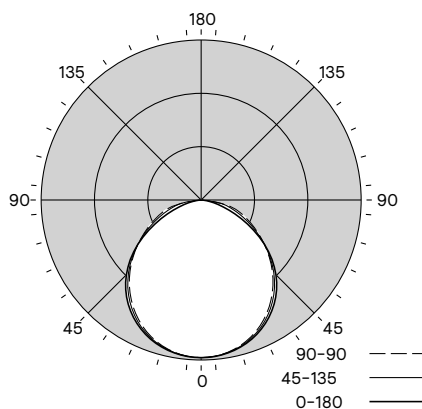
DSRT4060LCS-4-UNV-DIM H

Luminaire Lumens	6000
Luminaire Efficacy Rating (LER)	130
Total Luminaire Watts	46
Spacing Criterion (0-180)	1.28

	Candela Distribution					Flux
	0	22.5	45	67.5	90	Lumens
0	2168	2168	2168	2168	2168	
5	2159	2159	2159	2159	2159	206
15	2094	2093	2093	2092	2091	589
25	1959	1958	1957	1955	1953	892
35	1748	1747	1746	1742	1739	1070
45	1454	1452	1451	1446	1441	1090
55	1061	1061	1061	1060	1059	948
65	608	613	619	631	644	692
75	244	252	259	278	298	416
85	43	47	51	64	77	97
90	1	1	1	1	1	

Zonal Lumen Summary			
Zone	Lumens	%Fixture	%Lamp
0-30	1685	28.1%	28.1%
0-40	2754	45.9%	45.9%
0-60	4792	79.9%	79.9%
0-90	6000	100.0%	100.0%
0-180	3788	100.00%	100.00%

Average Luminance (cd/m ²)			
	0	90	180
45	5641	5476	5368
55	5076	5075	5076
65	3945	4605	4898
75	2585	4426	5209
85	1337	2733	1624



Coefficients of Utilization %											
Pc---	80				70			50			0
Pw---	70	50	30	10	70	50	30	50	30	10	0
RCR											
0	119	119	119	119	116	116	116	111	111	111	100
1	110	105	101	97	107	103	99	99	96	93	85
2	100	92	86	80	97	90	84	87	82	77	72
3	91	81	74	67	89	80	73	77	71	65	61
4	84	72	64	57	82	71	63	68	62	56	52
5	77	65	56	50	75	64	55	61	54	49	46
6	71	58	50	43	69	57	49	56	48	43	40
7	66	53	44	38	64	52	44	51	43	38	35
8	62	48	40	34	60	48	40	46	39	34	32
9	58	44	36	31	56	44	36	43	36	31	28
10	54	41	33	28	53	40	33	39	32	28	26