

LOST?

Press to exit all the way out

Press to toggle between **PLAY VIEW** and **EDIT VIEW**

Knobs 1-3

EDIT VIEW: Turn to adjust parameters for the selected block

Press to reset value

Press to toggle between Hz or ms and note values

Press and hold to jump to the Controller Assign page for that parameter

Press and turn to assign the parameter to snapshot control

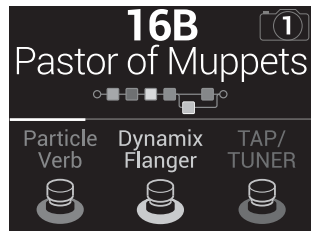
Hold **ACTION** and press knob to unassign any controller

Full HX Stomp Owner's Manual at line6.com/support/manuals

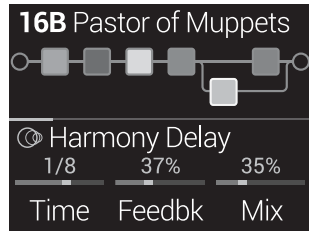


Video tutorials available at line6.com/meet-hx-stomp

PLAY VIEW



EDIT VIEW



Upper Knob

PLAY VIEW: Turn to select presets

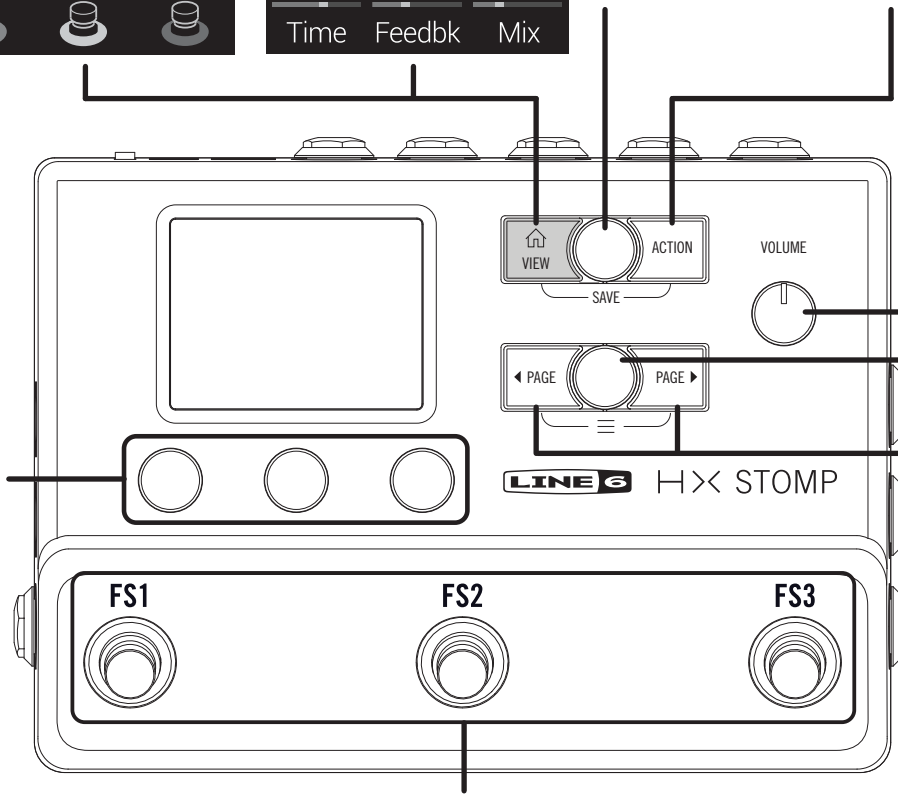
EDIT VIEW: Turn to select blocks

Press to bypass selected block

ACTION

Press to open action panel for selected block or menu (move, copy, paste, clear, etc.)

Press + **ACTION** to save preset



VOLUME

Turn to control level from 1/4" Main and Headphone outputs

Lower Knob

EDIT VIEW: Turn to change model

Press to open model list

◀ PAGE ▶

PLAY VIEW: Press to select one of four footswitch modes (see right)

EDIT VIEW: Press to view more parameters for the selected block or item

Press **◀ PAGE + PAGE ▶** to open menu with advanced functions and settings

FOOTSWITCHES 1-3

PLAY VIEW: Press **◀ PAGE** or **PAGE ▶** to select one of four footswitch modes (see right)

HX STOMP CHEAT SHEET

Stomp Mode



Step on FS1/FS2 to turn any assigned block(s) on and off

Step on FS3 to set the tempo

Hold FS3 to open the tuner

Touch FS3 to open Tempo Panel

EDIT VIEW: Touch-hold FS1 or FS2 to assign block

Scroll Mode



Step on FS1 to load the previous preset

Step on FS2 to load the next preset

Step on FS3 to set the tempo

Hold FS3 to open the tuner

Touch FS3 to open Tempo Panel

Hold FS1+FS2 to select Snapshot Up/Down

Preset Mode



Step on a footswitch to select a preset (A, B or C)

Step on FS1+FS2 to queue the previous bank of presets

Step on FS2+FS3 to queue the next bank of presets

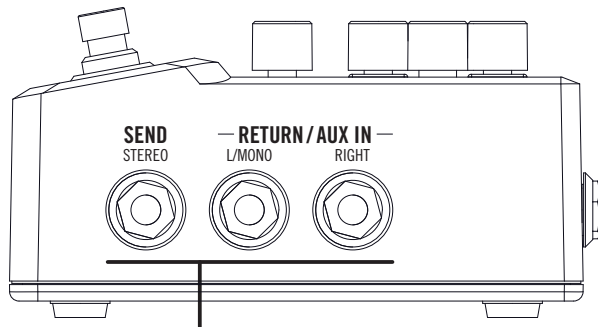
Snapshot Mode



Step on a footswitch to select Snapshot 1, 2 or 3

Step on FS1+FS2 to queue the previous bank of presets

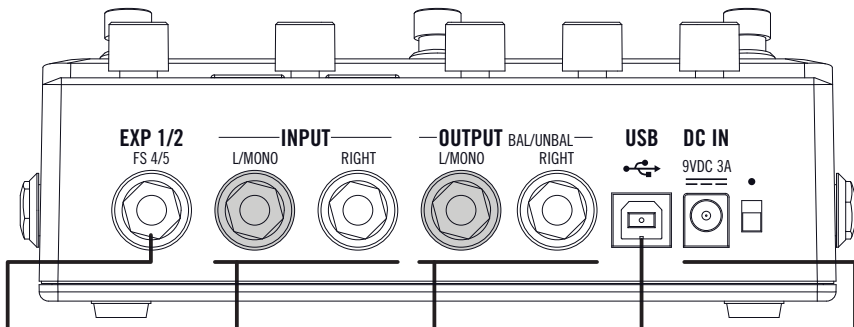
Step on FS2+FS3 to queue the next bank of presets



SEND, RETURN/AUX IN

Can be used as a mono or stereo FX Loop for inserting external stompboxes into your tone or to connect your amp via 4-Cable Method (see hookup diagram below)

Returns can be globally set to act as an always-on stereo Aux input



EXP 1/2, FS 4/5

Connect an expression pedal or momentary footswitch here; use a Y cable to connect two pedals, two switches, or one of each

INPUTS

Connect your guitar, bass, or synth here; when connecting a mono instrument, use the L/MONO input

OUTPUTS

Connect to other pedals or your guitar amp(s); when connecting to a mono pedal or single amp, use the L/MONO output

Use 1/4" TRS > XLR Male cables to run balanced signals to a mixing console

USB

Connect to your computer for editing via HX Edit, updating the firmware

HX Stomp functions as an audio and MIDI interface with re-amping built in

DC IN/Power

Line 6 strongly recommends using only the supplied power supply

Yes, we even crammed in a power switch

MIDI IN, OUT/THRU

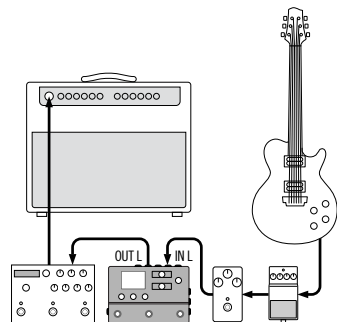
Connect to your MIDI gear for sending and receiving program changes and other MIDI messages

Phones Out

Connect headphones here; turn top panel VOLUME knob to adjust level

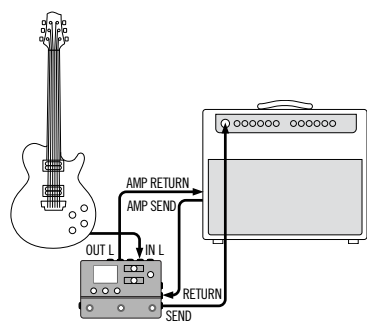
HX STOMP AS EFFECTS PEDAL

Presets starting with "FX"



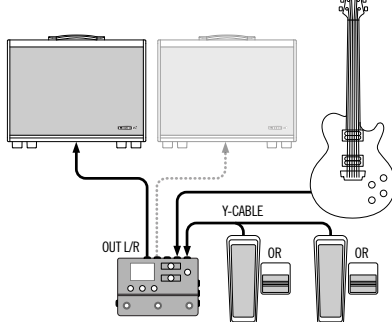
HX STOMP IN 4-CABLE METHOD

Presets starting with "4CM"



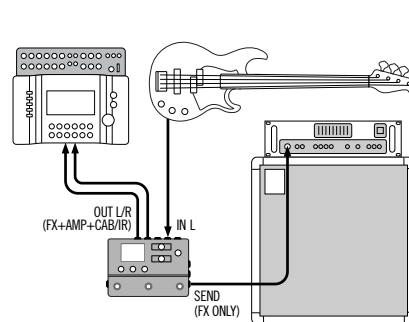
HX STOMP DIRECT TO POWERED SPEAKER(S)

Presets starting with "DIR"



HX STOMP AS HYBRID BASS RIG

Presets starting with "BAS"



HX STOMP AS STUDIO INTERFACE

