



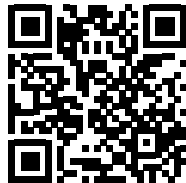
EVAPORATORS

**VOL
1**

PRICE LIST

**EFFECTIVE DATE:
31 MAY 2025**

*SUPERCEDES:
01 MARCH 2024*



Part 1090703-1-AEE

Prices are F.O.B. shipping point. Freight is allowed via lowest common carrier to nearest freight station in Canada and U.S.A. (except to Alaska or Hawaii) on shipments of \$4800 NET or more.

Shipments of less than \$4800 NET are F.O.B. shipping point and are not freight allowed.

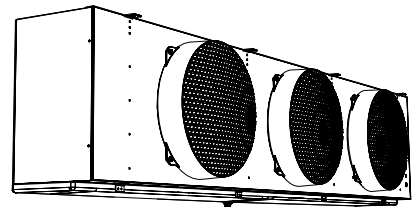
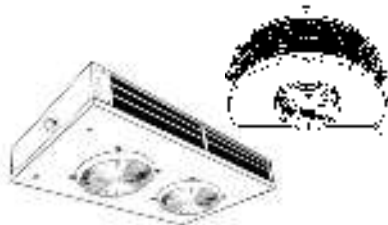
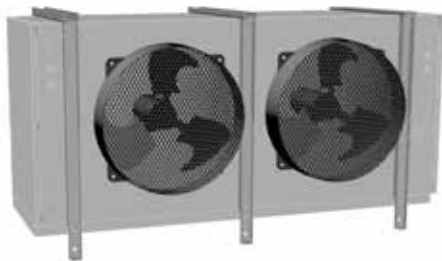
Prices, weights and specifications subject to change without notice.

Terms: Net 30 days.

Subject to Terms and Conditions of Sale / General Warranty / Claims Procedures



**INCLUDES MODELS FOR DOE & NRCAN
AWEF-EXEMPT APPLICATIONS**

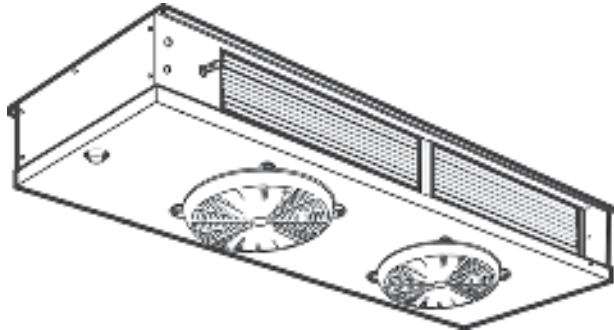


Contents

BLV - Line, Low Velocity Evaporators.....	2 - 3
BLP - Line, Low Profile Evaporators.....	4 - 9
BMP - Line, Medium Profile Evaporators.....	10 - 19
BEP - Line, Extended Profile Evaporators.....	20 - 30
BHP - Line, High Profile Evaporators.....	31 - 38
Optional Evaporator Accessories.....	39 - 42
Thermosaver System.....	43
Lead-Lag Control Panel.....	43
Product Support Resources.....	BACK



BLV-LINE, LOW VELOCITY EVAPORATORS

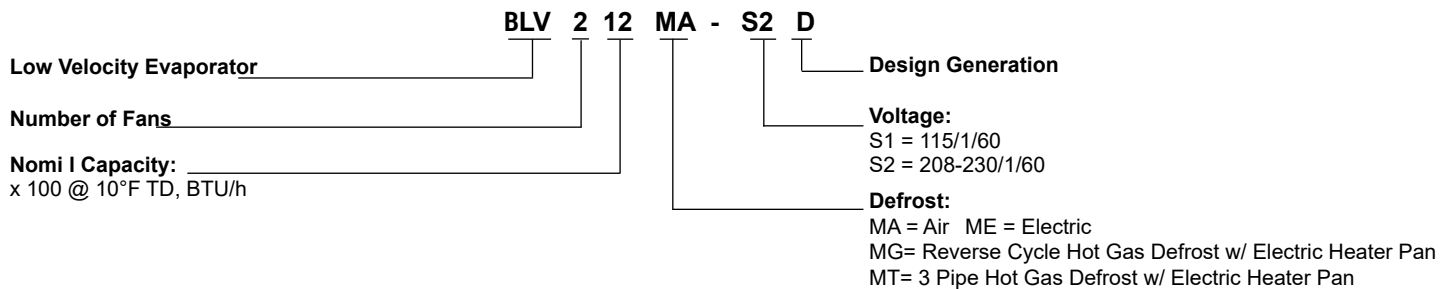


web: www.b-rp.ca/blv
 email: evaps@b-rp.ca
 call: 1-844-893-3222 x520

SMARTVAP

INTUITIVE EVAPORATOR CONTROL TECHNOLOGY

NOMENCLATURE



STANDARD FEATURES

- EC motors with patented SmartSpeed® Technology.
- Compatible with Low GWP Refrigerants
- Heavy gauge textured aluminum cabinet construction resists scratches/corrosion and minimizes weight for shipment, installation and service.
- Specially designed for quiet operation - ideal for prep. rooms.
- Dual refrigeration coils with two-way air distribution reduces air velocities to minimize product dehydration.
- Reduced operating charge with 3/8" OD tubing
- Spacious end compartment allows for easy component installation.
- Attractive and durable high-density polypropylene fan guards.
- Hinged drain pan provides convenient access for cleaning.
- Termi I board allows for easy electrical connections.
- Inter lly enhanced tube

AVAILABLE OPTIONS

- **SmartVap+ Intuitive Evaporator Control Technology.**
- Hot gas loop pan with hot gas defrost models
- Factory installed expansion valve, solenoid valve and room thermostat
- Painted cabinet
- Corrosion protection: alter te fin materials and coatings
- **PSC Motors (115, 230 + 460V) - For AWEF-Exempted applications - contact factory**
- Additional options available, please contact factory



2025 Refrigeration Products Price List

EFFECTIVE DATE: 31 May 2025 - SUPERCEDES: 01 MARCH 2024

BLV-LINE, LOW VELOCITY EVAPORATORS (cont'd)

MEDIUM TEMP - AIR DEFROST

PSC MOTORS			WEIGHT	
MODEL	VOLTAGE	\$	lbs.	kg
BLV106MA-S1D-C	115/1/60	5702	90	41
BLV106MA-S2D-C	208-230/1/60	6341	90	41
BLV106MA-S4D-C	460/1/60	7292	90	41
BLV109MA-S1D-C	115/1/60	6572	105	48
BLV109MA-S2D-C	208-230/1/60	6959	105	48
BLV109MA-S4D-C	460/1/60	8003	105	48
BLV212MA-S1D-C	115/1/60	7835	139	63
BLV212MA-S2D-C	208-230/1/60	8296	139	63
BLV212MA-S4D-C	460/1/60	9541	139	63
BLV217MA-S1D-C	115/1/60	9387	158	72
BLV217MA-S2D-C	208-230/1/60	9950	158	72
BLV217MA-S4D-C	460/1/60	11442	158	72
BLV325MA-S1D-C	115/1/60	11952	235	107
BLV325MA-S2D-C	208-230/1/60	12655	235	107
BLV325MA-S4D-C	460/1/60	14553	235	107
BLV331MA-S1D-C	115/1/60	13725	257	117
BLV331MA-S2D-C	208-230/1/60	14545	257	117
BLV331MA-S4D-C	460/1/60	16727	257	117
BLV437MA-S1D-C	115/1/60	15419	270	123
BLV437MA-S2D-C	208-230/1/60	16330	270	123
BLV437MA-S4D-C	460/1/60	18780	270	123
BLV441MA-S1D-C	115/1/60	17678	280	127
BLV441MA-S2D-C	208-230/1/60	18733	280	127
BLV441MA-S4D-C	460/1/60	21542	280	127
BLV546MA-S1D-C	115/1/60	19369	290	132
BLV546MA-S2D-C	208-230/1/60	20513	290	132
BLV546MA-S4D-C	460/1/60	23590	290	132

MEDIUM TEMP - ELECTRIC DEFROST

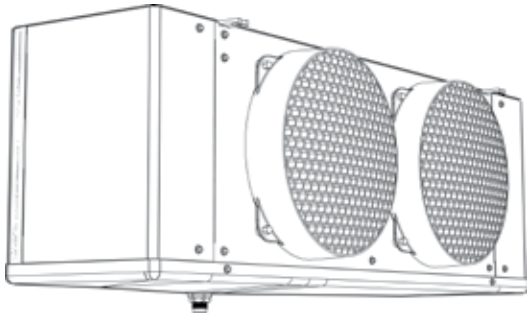
PSC MOTORS			WEIGHT	
MODEL	VOLTAGE	\$	lbs.	kg
BLV106ME-S1D-C	115/1/60	5702	90	41
BLV106ME-S2D-C	208-230/1/60	6341	90	41
BLV109ME-S1D-C	115/1/60	6572	105	48
BLV109ME-S2D-C	208-230/1/60	6959	105	48
BLV212ME-S2D-C	208-230/1/60	8296	139	63
BLV217ME-S2D-C	208-230/1/60	9950	158	72
BLV325ME-S2D-C	208-230/1/60	12655	235	107
BLV331ME-S2D-C	208-230/1/60	14545	257	117
BLV437ME-S2D-C	208-230/1/60	16330	270	123
BLV441ME-S2D-C	208-230/1/60	18733	280	127
BLV546ME-S2D-C	208-230/1/60	20513	290	132

MEDIUM TEMP - HOT GAS DEFROST

^ Insert appropriate code for hot gas defrost type

PSC MOTORS			WEIGHT	
MODEL	VOLTAGE	\$	lbs.	kg
BLV106M^ -S1D-C	115/1/60	5702	90	41
BLV106M^ -S2D-C	208-230/1/60	6341	90	41
BLV109M^ -S1D-C	115/1/60	6572	105	48
BLV109M^ -S2D-C	208-230/1/60	6959	105	48
BLV212M^ -S1D-C	115/1/60	7835	139	63
BLV212M^ -S2D-C	208-230/1/60	8296	139	63
BLV217M^ -S1D-C	115/1/60	9387	158	72
BLV217M^ -S2D-C	208-230/1/60	9950	158	72
BLV325M^ -S1D-C	115/1/60	11952	235	107
BLV325M^ -S2D-C	208-230/1/60	12655	235	107
BLV331M^ -S1D-C	115/1/60	13725	257	117
BLV331M^ -S2D-C	208-230/1/60	14545	257	117
BLV437M^ -S1D-C	115/1/60	15419	270	123
BLV437M^ -S2D-C	208-230/1/60	16330	270	123
BLV441M^ -S1D-C	115/1/60	17678	280	127
BLV441M^ -S2D-C	208-230/1/60	18733	280	127
BLV546M^ -S1D-C	115/1/60	19369	290	132
BLV546M^ -S2D-C	208-230/1/60	20513	290	132

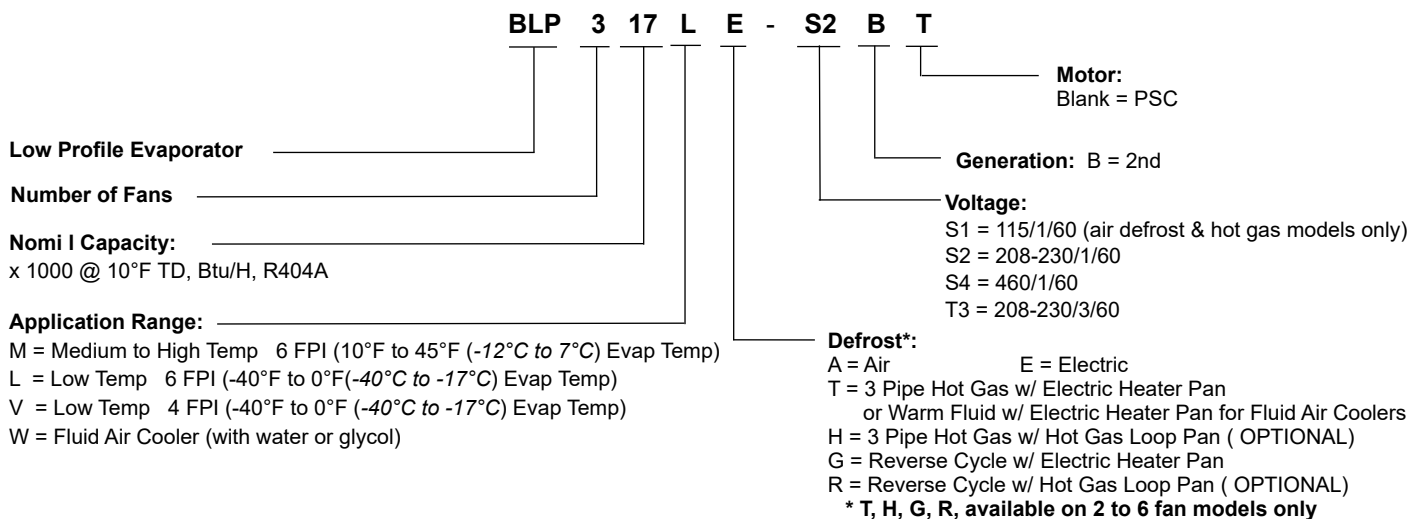
BLP-LINE, LOW PROFILE EVAPORATORS



web: www.b-rp.ca/blrp
 email: evaps@b-rp.ca
 call: 1-844-893-3222 x520

SMARTVAP 
 INTUITIVE EVAPORATOR CONTROL TECHNOLOGY

NOMENCLATURE



STANDARD FEATURES

- | | |
|--|---|
| <ul style="list-style-type: none"> • Compatible with Low GWP Refrigerants • High efficiency and high strength fan guard • Front access • Internally enhanced tubing • Convenient mounting brackets • Ample electrical and header compartments • PSC Motors • Liquid line solenoid valve wire harness factory installed | <ul style="list-style-type: none"> • Schrader valve on suction header • Positive slope, hinged drain pan • Central drain connections (approximate) • Universal drain fitting • Large 3/4" ID (3/4" MPT) drain hole • Factory installed distributor nozzle |
|--|---|

AVAILABLE OPTIONS

- | | |
|---|--|
| <ul style="list-style-type: none"> • SmartVap+ Intuitive Evaporator Control Technology. • Hot gas loop pan with hot gas defrost models • Factory installed expansion valve, solenoid valve and room thermostat | <ul style="list-style-type: none"> • Wire fan guard • Corrosion protection: alter te fin materials and coatings • Additio I options available, please contact factory |
|---|--|



2025 Refrigeration Products Price List

EFFECTIVE DATE: 31 May 2025 - SUPERCEDES: 01 MARCH 2024

BLP-LINE, LOW PROFILE EVAPORATORS (cont'd)

MEDIUM TEMP - AIR DEFROST

PSC MOTORS			WEIGHT	
MODEL	VOLTAGE	\$	lbs.	kg
BLP104MA-S1B	115/1/60	1867	45	20
BLP104MA-S2B	208-230/1/60	2017	45	20
BLP104MA-S6B	200-220/1/50	2017	45	20
BLP106MA-S1B	115/1/60	2006	47	21
BLP106MA-S2B	208-230/1/60	2037	47	21
BLP106MA-S6B	200-220/1/50	2037	47	21
BLP107MA-S1B	115/1/60	2349	49	22
BLP107MA-S2B	208-230/1/60	2528	49	22
BLP107MA-S6B	200-220/1/50	2528	49	22
BLP209MA-S1B	115/1/60	3011	70	32
BLP209MA-S2B	208-230/1/60	3057	70	32
BLP209MA-S4B	460/1/60	3533	70	32
BLP209MA-S6B	200-220/1/50	3057	70	32
BLP209MA-S9B	380-400/1/50	3533	70	32
BLP211MA-S1B	115/1/60	3451	74	33
BLP211MA-S2B	208-230/1/60	3498	74	33
BLP211MA-S4B	460/1/60	3964	74	33
BLP211MA-S6B	200-220/1/50	3498	74	33
BLP211MA-S9B	380-400/1/50	3964	74	33
BLP214MA-S1B	115/1/60	4323	78	35
BLP214MA-S2B	208-230/1/60	4382	78	35
BLP214MA-S4B	460/1/60	5121	78	35
BLP214MA-S6B	200-220/1/50	4382	78	35
BLP214MA-S9B	380-400/1/50	5121	78	35
BLP317MA-S1B	115/1/60	5091	101	46
BLP317MA-S2B	208-230/1/60	5161	101	46
BLP317MA-S4B	460/1/60	5838	101	46
BLP317MA-S6B	200-220/1/50	5161	101	46
BLP317MA-S9B	380-400/1/50	5838	101	46
BLP320MA-S1B	115/1/60	5969	107	48
BLP320MA-S2B	208-230/1/60	6441	107	48
BLP320MA-S4B	460/1/60	7394	107	48
BLP320MA-S6B	200-220/1/50	6441	107	48
BLP320MA-S9B	380-400/1/50	7394	107	48
BLP423MA-S1B	115/1/60	6864	117	53
BLP423MA-S2B	208-230/1/60	7408	117	53
BLP423MA-S4B	460/1/60	8503	117	53
BLP423MA-S6B	200-220/1/50	7408	117	53
BLP423MA-S9B	380-400/1/50	8503	117	53
BLP426MA-S1B	115/1/60	7712	135	61
BLP426MA-S2B	208-230/1/60	8329	135	61
BLP426MA-S4B	460/1/60	9561	135	61
BLP426MA-S6B	200-220/1/50	8329	135	61
BLP426MA-S9B	380-400/1/50	9561	135	61
BLP532MA-S1B	115/1/60	8803	163	74
BLP532MA-S2B	208-230/1/60	9508	163	74
BLP532MA-S4B	460/1/60	10997	163	74
BLP532MA-S6B	200-220/1/50	9508	163	74
BLP532MA-S9B	380-400/1/50	10997	163	74
BLP639MA-S1B	115/1/60	10262	192	87
BLP639MA-S2B	208-230/1/60	10906	192	87
BLP639MA-S4B	460/1/60	12392	192	87
BLP639MA-S6B	200-220/1/50	10906	192	87
BLP639MA-S9B	380-400/1/50	12392	192	87

MEDIUM TEMP - ELECTRIC DEFROST

PSC MOTORS			WEIGHT	
MODEL	VOLTAGE	\$	lbs.	kg
BLP104ME-S2B	208-230/1/60	2951	49	22
BLP104ME-S6B	200-220/1/50	2951	49	22
BLP104ME-T3B	208-230/3/60	3113	49	22
BLP104ME-T7B	200-220/3/50	3113	49	22
BLP106ME-S2B	208-230/1/60	3497	51	23
BLP106ME-S6B	200-220/1/50	3497	51	23
BLP106ME-T3B	208-230/3/60	3725	51	23
BLP106ME-T7B	200-220/3/50	3725	51	23
BLP107ME-S2B	208-230/1/60	3612	53	24
BLP107ME-S6B	200-220/1/50	3612	53	24
BLP107ME-T3B	208-230/3/60	3949	53	24
BLP107ME-T7B	200-220/3/50	3949	53	24
BLP209ME-S2B	208-230/1/60	4324	76	35
BLP209ME-S4B	460/1/60	5119	76	35
BLP209ME-S6B	200-220/1/50	4324	76	35
BLP209ME-S9B	380-400/1/50	5119	76	35
BLP209ME-T3B	208-230/3/60	4631	76	35
BLP209ME-T7B	200-220/3/50	4631	76	35
BLP211ME-S2B	208-230/1/60	4712	80	36
BLP211ME-S4B	460/1/60	5595	80	36
BLP211ME-S6B	200-220/1/50	4712	80	36
BLP211ME-S9B	380-400/1/50	5595	80	36
BLP211ME-T3B	208-230/3/60	5102	80	36
BLP211ME-T7B	200-220/3/50	5102	80	36
BLP214ME-S2B	208-230/1/60	5644	84	38
BLP214ME-S4B	460/1/60	6702	84	38
BLP214ME-S6B	200-220/1/50	5644	84	38
BLP214ME-S9B	380-400/1/50	6702	84	38
BLP214ME-T3B	208-230/3/60	6111	84	38
BLP214ME-T7B	200-220/3/50	6111	84	38
BLP317ME-S2B	208-230/1/60	6885	109	50
BLP317ME-S4B	460/1/60	8043	109	50
BLP317ME-S6B	200-220/1/50	6885	109	50
BLP317ME-S9B	380-400/1/50	8043	109	50
BLP317ME-T3B	208-230/3/60	7302	109	50
BLP317ME-T7B	200-220/3/50	7302	109	50
BLP320ME-S2B	208-230/1/60	8131	115	52
BLP320ME-S4B	460/1/60	9557	115	52
BLP320ME-S6B	200-220/1/50	8131	115	52
BLP320ME-S9B	380-400/1/50	9557	115	52
BLP320ME-T3B	208-230/3/60	8530	115	52
BLP320ME-T7B	200-220/3/50	8530	115	52
BLP423ME-S2B	208-230/1/60	9098	127	58
BLP423ME-S4B	460/1/60	10623	127	58
BLP423ME-S6B	200-220/1/50	9098	127	58
BLP423ME-S9B	380-400/1/50	10623	127	58
BLP423ME-T3B	208-230/3/60	9612	127	58
BLP423ME-T7B	200-220/3/50	9612	127	58
BLP426ME-S2B	208-230/1/60	10563	145	66
BLP426ME-S4B	460/1/60	12277	145	66
BLP426ME-S6B	200-220/1/50	10563	145	66
BLP426ME-S9B	380-400/1/50	12277	145	66
BLP426ME-T3B	208-230/3/60	10974	145	66
BLP426ME-T7B	200-220/3/50	10974	145	66
BLP532ME-S2B	208-230/1/60	12437	176	80
BLP532ME-S4B	460/1/60	14503	176	80
BLP532ME-S6B	200-220/1/50	12437	176	80
BLP532ME-S9B	380-400/1/50	14503	176	80
BLP532ME-T3B	208-230/3/60	12869	176	80
BLP532ME-T7B	200-220/3/50	12869	176	80
BLP639ME-S2B	208-230/1/60	13834	207	94
BLP639ME-S4B	460/1/60	16040	207	94
BLP639ME-S6B	200-220/1/50	13834	207	94
BLP639ME-S9B	380-400/1/50	16040	207	94
BLP639ME-T3B	208-230/3/60	14465	207	94
BLP639ME-T7B	200-220/3/50	14465	207	94



2025 Refrigeration Products Price List

EFFECTIVE DATE: 31 May 2025 - SUPERCEDES: 01 MARCH 2024

BLP-LINE, LOW PROFILE EVAPORATORS (cont'd)

MEDIUM TEMP - HOT GAS DEFROST

^ Insert appropriate code for hot gas defrost type

PSC MOTORS			WEIGHT	
MODEL	VOLTAGE	\$	lbs.	kg
BLP209M^S1B	115/1/60	4409	70	32
BLP209M^S2B	208-230/1/60	4723	70	32
BLP209M^S4B	460/1/60	5221	70	32
BLP209M^S6B	200-220/1/50	4723	70	32
BLP209M^S9B	380-400/1/50	5221	70	32
BLP211M^S1B	115/1/60	4979	74	33
BLP211M^S2B	208-230/1/60	5376	74	33
BLP211M^S4B	460/1/60	5881	74	33
BLP211M^S6B	200-220/1/50	5376	74	33
BLP211M^S9B	380-400/1/50	5881	74	33
BLP214M^S1B	115/1/60	5660	78	35
BLP214M^S2B	208-230/1/60	6111	78	35
BLP214M^S4B	460/1/60	6685	78	35
BLP214M^S6B	200-220/1/50	6111	78	35
BLP214M^S9B	380-400/1/50	6685	78	35
BLP317M^S1B	115/1/60	6954	101	46
BLP317M^S2B	208-230/1/60	7256	101	46
BLP317M^S4B	460/1/60	8010	101	46
BLP317M^S6B	200-220/1/50	7256	101	46
BLP317M^S9B	380-400/1/50	8010	101	46
BLP320M^S1B	115/1/60	7673	107	48
BLP320M^S2B	208-230/1/60	8286	107	48
BLP320M^S4B	460/1/60	9334	107	48
BLP320M^S6B	200-220/1/50	8286	107	48
BLP320M^S9B	380-400/1/50	9334	107	48
BLP423M^S1B	115/1/60	8663	117	53
BLP423M^S2B	208-230/1/60	9457	117	53
BLP423M^S4B	460/1/60	10474	117	53
BLP423M^S6B	200-220/1/50	9457	117	53
BLP423M^S9B	380-400/1/50	10474	117	53
BLP426M^S1B	115/1/60	9715	135	61
BLP426M^S2B	208-230/1/60	10492	135	61
BLP426M^S4B	460/1/60	11756	135	61
BLP426M^S6B	200-220/1/50	10492	135	61
BLP426M^S9B	380-400/1/50	11756	135	61
BLP532M^S1B	115/1/60	11502	163	74
BLP532M^S2B	208-230/1/60	12596	163	74
BLP532M^S4B	460/1/60	14265	163	74
BLP532M^S6B	200-220/1/50	12596	163	74
BLP532M^S9B	380-400/1/50	14265	163	74
BLP639M^S1B	115/1/60	12918	192	87
BLP639M^S2B	208-230/1/60	14183	192	87
BLP639M^S4B	460/1/60	15793	192	87
BLP639M^S6B	200-220/1/50	14183	192	87
BLP639M^S9B	380-400/1/50	15793	192	87

LOW TEMP 6 FPI - ELECTRIC DEFROST

PSC MOTORS			WEIGHT	
MODEL	VOLTAGE	\$	lbs.	kg
BLP104LE-S2B	208-230/1/60	2937	49	22
BLP104LE-S6B	200-220/1/50	2937	49	22
BLP104LE-T3B	208-230/3/60	3098	49	22
BLP104LE-T7B	200-220/3/50	3098	49	22
BLP105LE-S2B	208-230/1/60	3480	51	23
BLP105LE-S6B	200-220/1/50	3480	51	23
BLP105LE-T3B	208-230/3/60	3707	51	23
BLP105LE-T7B	200-220/3/50	3707	51	23
BLP106LE-S2B	208-230/1/60	3612	53	24
BLP106LE-S6B	200-220/1/50	3612	53	24
BLP106LE-T3B	208-230/3/60	3949	53	24
BLP106LE-T7B	200-220/3/50	3949	53	24
BLP207LE-S2B	208-230/1/60	4131	76	35
BLP207LE-S4B	460/1/60	4891	76	35
BLP207LE-S6B	200-220/1/50	4131	76	35
BLP207LE-S9B	380-400/1/50	4891	76	35
BLP207LE-T3B	208-230/3/60	4516	76	35
BLP207LE-T7B	200-220/3/50	4516	76	35
BLP209LE-S2B	208-230/1/60	4663	80	36
BLP209LE-S4B	460/1/60	5536	80	36
BLP209LE-S6B	200-220/1/50	4663	80	36
BLP209LE-S9B	380-400/1/50	5536	80	36
BLP209LE-T3B	208-230/3/60	5047	80	36
BLP209LE-T7B	200-220/3/50	5047	80	36
BLP211LE-S2B	208-230/1/60	5671	84	38
BLP211LE-S4B	460/1/60	6734	84	38
BLP211LE-S6B	200-220/1/50	5671	84	38
BLP211LE-S9B	380-400/1/50	6734	84	38
BLP211LE-T3B	208-230/3/60	6140	84	38
BLP211LE-T7B	200-220/3/50	6140	84	38
BLP314LE-S2B	208-230/1/60	6813	109	50
BLP314LE-S4B	460/1/60	7958	109	50
BLP314LE-S6B	200-220/1/50	6813	109	50
BLP314LE-S9B	380-400/1/50	7958	109	50
BLP314LE-T3B	208-230/3/60	7225	109	50
BLP314LE-T7B	200-220/3/50	7225	109	50
BLP317LE-S2B	208-230/1/60	7768	115	52
BLP317LE-S4B	460/1/60	9130	115	52
BLP317LE-S6B	200-220/1/50	7768	115	52
BLP317LE-S9B	380-400/1/50	9130	115	52
BLP317LE-T3B	208-230/3/60	8149	115	52
BLP317LE-T7B	200-220/3/50	8149	115	52
BLP419LE-S2B	208-230/1/60	9141	127	58
BLP419LE-S4B	460/1/60	10673	127	58
BLP419LE-S6B	200-220/1/50	9141	127	58
BLP419LE-S9B	380-400/1/50	10673	127	58
BLP419LE-T3B	208-230/3/60	9658	127	58
BLP419LE-T7B	200-220/3/50	9658	127	58
BLP422LE-S2B	208-230/1/60	10613	145	66
BLP422LE-S4B	460/1/60	12336	145	66
BLP422LE-S6B	200-220/1/50	10613	145	66
BLP422LE-S9B	380-400/1/50	12336	145	66
BLP422LE-T3B	208-230/3/60	11026	145	66
BLP422LE-T7B	200-220/3/50	11026	145	66
BLP527LE-S2B	208-230/1/60	12496	176	80
BLP527LE-S4B	460/1/60	14572	176	80
BLP527LE-S6B	200-220/1/50	12496	176	80
BLP527LE-S9B	380-400/1/50	14572	176	80
BLP527LE-T3B	208-230/3/60	12930	176	80
BLP527LE-T7B	200-220/3/50	12930	176	80
BLP631LE-S2B	208-230/1/60	13900	207	94
BLP631LE-S4B	460/1/60	16116	207	94
BLP631LE-S6B	200-220/1/50	13900	207	94
BLP631LE-S9B	380-400/1/50	16116	207	94
BLP631LE-T3B	208-230/3/60	14533	207	94
BLP631LE-T7B	200-220/3/50	14533	207	94



2025 Refrigeration Products Price List

EFFECTIVE DATE: 31 May 2025 - SUPERCEDES: 01 MARCH 2024

BLP-LINE, LOW PROFILE EVAPORATORS (cont'd)

LOW TEMP 4 FPI - ELECTRIC DEFROST

PSC MOTORS			WEIGHT	
MODEL	VOLTAGE	\$	lbs.	kg
BLP103VE-S2B	208-230/1/60	2023	49	22
BLP103VE-S6B	200-220/1/50	2023	49	22
BLP103VE-T3B	208-230/3/60	2146	49	22
BLP103VE-T7B	200-220/3/50	2146	49	22
BLP104VE-S2B	208-230/1/60	2793	51	23
BLP104VE-S6B	200-220/1/50	2793	51	23
BLP104VE-T3B	208-230/3/60	2961	51	23
BLP104VE-T7B	200-220/3/50	2961	51	23
BLP105VE-S2B	208-230/1/60	3338	53	24
BLP105VE-S6B	200-220/1/50	3338	53	24
BLP105VE-T3B	208-230/3/60	3540	53	24
BLP105VE-T7B	200-220/3/50	3540	53	24
BLP206VE-S2B	208-230/1/60	4327	76	35
BLP206VE-S4B	460/1/60	4771	76	35
BLP206VE-S6B	200-220/1/50	4327	76	35
BLP206VE-S9B	380-400/1/50	4771	76	35
BLP206VE-T3B	208-230/3/60	4540	76	35
BLP206VE-T7B	200-220/3/50	4540	76	35
BLP208VE-S2B	208-230/1/60	4881	80	36
BLP208VE-S4B	460/1/60	5283	80	36
BLP208VE-S6B	200-220/1/50	4881	80	36
BLP208VE-S9B	380-400/1/50	5283	80	36
BLP208VE-T3B	208-230/3/60	5044	80	36
BLP208VE-T7B	200-220/3/50	5044	80	36
BLP209VE-S2B	208-230/1/60	5232	84	38
BLP209VE-S4B	460/1/60	6247	84	38
BLP209VE-S6B	200-220/1/50	5232	84	38
BLP209VE-S9B	380-400/1/50	6247	84	38
BLP209VE-T3B	208-230/3/60	5580	84	38
BLP209VE-T7B	200-220/3/50	5580	84	38
BLP312VE-S2B	208-230/1/60	6652	109	50
BLP312VE-S4B	460/1/60	7846	109	50
BLP312VE-S6B	200-220/1/50	6652	109	50
BLP312VE-S9B	380-400/1/50	7846	109	50
BLP312VE-T3B	208-230/3/60	6993	109	50
BLP312VE-T7B	200-220/3/50	6993	109	50
BLP315VE-S2B	208-230/1/60	8342	115	52
BLP315VE-S4B	460/1/60	9732	115	52
BLP315VE-S6B	200-220/1/50	8342	115	52
BLP315VE-S9B	380-400/1/50	9732	115	52
BLP315VE-T3B	208-230/3/60	8674	115	52
BLP315VE-T7B	200-220/3/50	8674	115	52
BLP416VE-S2B	208-230/1/60	8990	127	58
BLP416VE-S4B	460/1/60	10488	127	58
BLP416VE-S6B	200-220/1/50	8990	127	58
BLP416VE-S9B	380-400/1/50	10488	127	58
BLP416VE-T3B	208-230/3/60	9348	127	58
BLP416VE-T7B	200-220/3/50	9348	127	58
BLP419VE-S2B	208-230/1/60	10246	145	66
BLP419VE-S4B	460/1/60	12008	145	66
BLP419VE-S6B	200-220/1/50	10246	145	66
BLP419VE-S9B	380-400/1/50	12008	145	66
BLP419VE-T3B	208-230/3/60	10626	145	66
BLP419VE-T7B	200-220/3/50	10626	145	66
BLP523VE-S2B	208-230/1/60	12349	176	80
BLP523VE-S4B	460/1/60	14261	176	80
BLP523VE-S6B	200-220/1/50	12349	176	80
BLP523VE-S9B	380-400/1/50	14261	176	80
BLP523VE-T3B	208-230/3/60	12824	176	80
BLP523VE-T7B	200-220/3/50	12824	176	80
BLP627VE-S2B	208-230/1/60	13911	207	94
BLP627VE-S4B	460/1/60	16065	207	94
BLP627VE-S6B	200-220/1/50	13911	207	94
BLP627VE-S9B	380-400/1/50	16065	207	94
BLP627VE-T3B	208-230/3/60	14446	207	94
BLP627VE-T7B	200-220/3/50	14446	207	94

LOW TEMP 6 FPI- HOT GAS DEFROST

^ Insert appropriate code for hot gas defrost type

PSC MOTORS			WEIGHT	
MODEL	VOLTAGE	\$	lbs.	kg
BLP207L^A-S1B	115/1/60	4430	70	32
BLP207L^A-S2B	208-230/1/60	4746	70	32
BLP207L^A-S4B	460/1/60	5246	70	32
BLP207L^A-S6B	200-220/1/50	4746	70	32
BLP207L^A-S9B	380-400/1/50	5246	70	32
BLP209L^A-S1B	115/1/60	5003	74	33
BLP209L^A-S2B	208-230/1/60	5402	74	33
BLP209L^A-S4B	460/1/60	5909	74	33
BLP209L^A-S6B	200-220/1/50	5402	74	33
BLP209L^A-S9B	380-400/1/50	5909	74	33
BLP211L^A-S1B	115/1/60	5687	78	35
BLP211L^A-S2B	208-230/1/60	6140	78	35
BLP211L^A-S4B	460/1/60	6717	78	35
BLP211L^A-S6B	200-220/1/50	6140	78	35
BLP211L^A-S9B	380-400/1/50	6717	78	35
BLP314L^A-S1B	115/1/60	6987	101	46
BLP314L^A-S2B	208-230/1/60	7290	101	46
BLP314L^A-S4B	460/1/60	8048	101	46
BLP314L^A-S6B	200-220/1/50	7290	101	46
BLP314L^A-S9B	380-400/1/50	8048	101	46
BLP317L^A-S1B	115/1/60	7710	107	48
BLP317L^A-S2B	208-230/1/60	8325	107	48
BLP317L^A-S4B	460/1/60	9378	107	48
BLP317L^A-S6B	200-220/1/50	8325	107	48
BLP317L^A-S9B	380-400/1/50	9378	107	48
BLP419L^A-S1B	115/1/60	8705	117	53
BLP419L^A-S2B	208-230/1/60	9502	117	53
BLP419L^A-S4B	460/1/60	10524	117	53
BLP419L^A-S6B	200-220/1/50	9502	117	53
BLP419L^A-S9B	380-400/1/50	10524	117	53
BLP422L^A-S1B	115/1/60	9761	135	61
BLP422L^A-S2B	208-230/1/60	10542	135	61
BLP422L^A-S4B	460/1/60	11812	135	61
BLP422L^A-S6B	200-220/1/50	10542	135	61
BLP422L^A-S9B	380-400/1/50	11812	135	61
BLP527L^A-S1B	115/1/60	11556	163	74
BLP527L^A-S2B	208-230/1/60	12656	163	74
BLP527L^A-S4B	460/1/60	14333	163	74
BLP527L^A-S6B	200-220/1/50	12656	163	74
BLP527L^A-S9B	380-400/1/50	14333	163	74
BLP631L^A-S1B	115/1/60	12980	192	87
BLP631L^A-S2B	208-230/1/60	14251	192	87
BLP631L^A-S4B	460/1/60	15868	192	87
BLP631L^A-S6B	200-220/1/50	14251	192	87
BLP631L^A-S9B	380-400/1/50	15868	192	87



2025 Refrigeration Products Price List

EFFECTIVE DATE: 31 May 2025 - SUPERCEDES: 01 MARCH 2024

BLP-LINE, LOW PROFILE EVAPORATORS (cont'd)

LOW TEMP 4 FPI - HOT GAS DEFROST

^ Insert appropriate code for hot gas defrost type

PSC MOTORS			WEIGHT	
MODEL	VOLTAGE	\$	lbs.	kg
BLP206V [^] -S1B	115/1/60	4493	70	32
BLP206V [^] -S2B	208-230/1/60	4630	70	32
BLP206V [^] -S4B	460/1/60	4986	70	32
BLP206V [^] -S6B	200-220/1/50	4630	70	32
BLP206V [^] -S9B	380-400/1/50	4986	70	32
BLP208V [^] -S1B	115/1/60	4980	74	33
BLP208V [^] -S2B	208-230/1/60	5147	74	33
BLP208V [^] -S4B	460/1/60	5513	74	33
BLP208V [^] -S6B	200-220/1/50	5147	74	33
BLP208V [^] -S9B	380-400/1/50	5513	74	33
BLP209V [^] -S1B	115/1/60	5243	78	35
BLP209V [^] -S2B	208-230/1/60	5662	78	35
BLP209V [^] -S4B	460/1/60	6191	78	35
BLP209V [^] -S6B	200-220/1/50	5662	78	35
BLP209V [^] -S9B	380-400/1/50	6191	78	35
BLP312V [^] -S1B	115/1/60	6329	101	46
BLP312V [^] -S2B	208-230/1/60	6830	101	46
BLP312V [^] -S4B	460/1/60	7479	101	46
BLP312V [^] -S6B	200-220/1/50	6830	101	46
BLP312V [^] -S9B	380-400/1/50	7479	101	46

Continues at top of next column >>>

LOW TEMP 4 FPI - HOT GAS DEFROST (cont'd)

^ Insert appropriate code for hot gas defrost type

PSC MOTORS			WEIGHT	
MODEL	VOLTAGE	\$	lbs.	kg
BLP315V [^] -S1B	115/1/60	7957	107	48
BLP315V [^] -S2B	208-230/1/60	8585	107	48
BLP315V [^] -S4B	460/1/60	9417	107	48
BLP315V [^] -S6B	200-220/1/50	8585	107	48
BLP315V [^] -S9B	380-400/1/50	9417	107	48
BLP416V [^] -S1B	115/1/60	8487	117	53
BLP416V [^] -S2B	208-230/1/60	9157	117	53
BLP416V [^] -S4B	460/1/60	10045	117	53
BLP416V [^] -S6B	200-220/1/50	9157	117	53
BLP416V [^] -S9B	380-400/1/50	10045	117	53
BLP419V [^] -S1B	115/1/60	9571	135	61
BLP419V [^] -S2B	208-230/1/60	10332	135	61
BLP419V [^] -S4B	460/1/60	11362	135	61
BLP419V [^] -S6B	200-220/1/50	10332	135	61
BLP419V [^] -S9B	380-400/1/50	11362	135	61
BLP523V [^] -S1B	115/1/60	11922	163	74
BLP523V [^] -S2B	208-230/1/60	12914	163	74
BLP523V [^] -S4B	460/1/60	14018	163	74
BLP523V [^] -S6B	200-220/1/50	12914	163	74
BLP523V [^] -S9B	380-400/1/50	14018	163	74
BLP627V [^] -S1B	115/1/60	13575	192	87
BLP627V [^] -S2B	208-230/1/60	14705	192	87
BLP627V [^] -S4B	460/1/60	15963	192	87
BLP627V [^] -S6B	200-220/1/50	14705	192	87
BLP627V [^] -S9B	380-400/1/50	15963	192	87

NOTES:

- ELECTRIC DRAIN PAN IS A STANDARD FEATURE ON ALL HOT GAS DEFROST LOW PROFILE EVAPORATORS
- HOT GAS LOOP IN DRAIN PAN IS A **NO CHARGE** OPTION
- REFER TO PRODUCT CATALOG ON EXTENT OF STANDARD FACTORY PIPING. OPTIONAL HOT GAS KITS ARE AVAILABLE - SEE NEXT PAGE
- FOR APPROX. SHIPPING WEIGHTS FOR HOT GAS LOOP IN DRAIN PAN MODELS, REFER TO INSTALLATION MANUAL

BLP-LINE, LOW PROFILE EVAPORATORS - WATER / GLYCOL COILS

MODEL	VOLTAGE	LIST	Shipping Weight	
			lbs.	Kgs
BLP104WA-S1B	115/1/60	3247	46.5	21
BLP106WA-S1B	115/1/60	3847	46.5	21
BLP107WA-S1B	115/1/60	3974	46.5	21
BLP209WA-S1B	115/1/60	4850	69.5	32
BLP211WA-S1B	115/1/60	5477	69.5	32
BLP214WA-S1B	115/1/60	6226	69.5	32
BLP317WA-S1B	115/1/60	7650	100.5	46
BLP320WA-S1B	115/1/60	8441	100.5	46
BLP423WA-S1B	115/1/60	9530	134.5	61
BLP426WA-S1B	115/1/60	10686	134.5	61
BLP532WA-S1B	115/1/60	12652	163	74
BLP639WA-S1B	115/1/60	14210	192	87
BLP104WA-S2B	208-230/1/60	3247	46.5	21
BLP106WA-S2B	208-230/1/60	3847	46.5	21
BLP107WA-S2B	208-230/1/60	3974	46.5	21
BLP209WA-S2B	208-230/1/60	4850	69.5	32
BLP211WA-S2B	208-230/1/60	5477	69.5	32
BLP214WA-S2B	208-230/1/60	6226	69.5	32

MODEL	VOLTAGE	LIST	Shipping Weight	
			lbs.	Kgs
BLP317WA-S2B	208-230/1/60	7650	100.5	46
BLP320WA-S2B	208-230/1/60	8441	100.5	46
BLP423WA-S2B	208-230/1/60	9530	134.5	61
BLP426WA-S2B	208-230/1/60	10686	134.5	61
BLP532WA-S2B	208-230/1/60	12652	163	74
BLP639WA-S2B	208-230/1/60	14210	192	87
BLP104WA-S4B	460/1/60	3247	46.5	21
BLP106WA-S4B	460/1/60	3847	46.5	21
BLP107WA-S4B	460/1/60	3974	46.5	21
BLP209WA-S4B	460/1/60	4850	69.5	32
BLP211WA-S4B	460/1/60	5477	69.5	32
BLP214WA-S4B	460/1/60	6226	69.5	32
BLP317WA-S4B	460/1/60	7650	100.5	46
BLP320WA-S4B	460/1/60	8441	100.5	46
BLP423WA-S4B	460/1/60	9530	134.5	61
BLP426WA-S4B	460/1/60	10686	134.5	61
BLP532WA-S4B	460/1/60	12652	163	74
BLP639WA-S4B	460/1/60	14210	192	87



2025 Refrigeration Products Price List

EFFECTIVE DATE: 31 May 2025 - SUPERCEDES: 01 MARCH 2024

BLP-LINE, LOW PROFILE EVAPORATORS (cont'd) OPTIONAL HOT GAS KITS

FOR 3-PIPE UNITS WITH ELECTRIC DRAIN PAN HEATER

OPT1-T: TXV + BYPASS CHECK VALVE KIT

INCLUDES QTY. ONE BYPASS CHECK VALVE + TXV
FACTORY INSTALLED

MODEL			LIST
M	L	V	
BLP209	BLP207	BLP206	940
BLP211	BLP209	BLP208	
BLP214	BLP211	BLP209	
		BLP312	974
BLP317	BLP314	BLP315	
BLP320	BLP317	BLP416	
		BLP419	980
	BLP419		
	BLP422		
BLP532	BLP527	BLP523	
BLP639	BLP631	BLP627	

FOR 3-PIPE UNITS WITH HOT GAS LOOP

OPT1-H: TXV + BYPASS CHECK VALVE KIT

INCLUDES QTY. ONE TXV, BYPASS CHECK VALVE AND
PIPING FROM DRAIN LOOP TO CHECKVALVE

MODEL			LIST
M	L	V	
BLP209	BLP207	BLP206	1132
BLP211	BLP209	BLP208	
BLP214	BLP211	BLP209	
		BLP312	1165
BLP317	BLP314	BLP315	
BLP320	BLP317	BLP416	
		BLP419	1221
	BLP419		
	BLP422		
BLP532	BLP527	BLP523	
BLP639	BLP631	BLP627	

FOR REVERSE CYCLE UNITS WITH ELECTRIC DRAIN PAN HEATER

OPT1-G: TXV + BYPASS CHECK VALVE KIT

INCLUDES QTY. ONE TXV, BYPASS CHECK VALVE
AND BYPASS PIPING

MODEL			LIST
M	L	V	
BLP209	BLP207	BLP206	982
BLP211	BLP209	BLP208	
BLP214	BLP211	BLP209	
		BLP312	1022
BLP317	BLP314	BLP315	
BLP320	BLP317	BLP416	
		BLP419	1022
	BLP419		
	BLP422		
BLP532	BLP527	BLP523	
BLP639	BLP631	BLP627	

FOR REVERSE CYCLE UNITS WITH HOT GAS LOOP

OPT1-R: TXV + BYPASS CHECK VALVE KIT

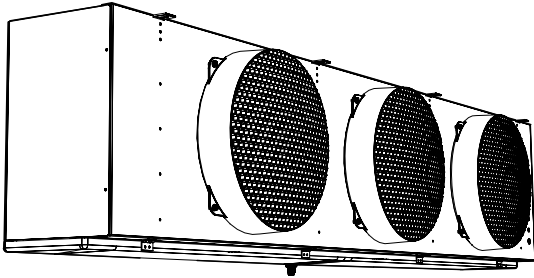
INCLUDES QTY. ONE TXV, BYPASS CHECK VALVE AND BYPASS PIPING
PIPING FROM DRAIN LOOP TO CHECKVALVE

OPT2-R: DRAIN PAN LOOP CHECK VALVE AND SUCTION LINE CHECK VALVE KIT

INCLUDES QTY. ONE DRAIN PAN CHECK VALVE, QTY. ONE
SUCTION LINE CHECK VALVE AND CONNECTED PIPING

MODEL			TXV KYPASS CHECK VALVE KIT	DRAIN PAN + SUCT. LINE CHECK VALVE KIT
M	L	V		
BLP209	BLP207	BLP206	1013	2343
BLP211	BLP209	BLP208		
BLP214	BLP211	BLP209		
		BLP312	1051	2457
BLP317	BLP314	BLP315		
BLP320	BLP317	BLP416		
		BLP419	1051	2549
	BLP419			
	BLP422			
BLP532	BLP527	BLP523		
BLP639	BLP631	BLP627		

BMP-LINE, MEDIUM PROFILE EVAPORATORS



web: www.b-rp.ca/bmp
email: evaps@b-rp.ca
call: 1-844-893-3222 x520

SMARTSPEED™
FAN MOTOR TECHNOLOGY
AVAILABLE WITH OPTIONAL EC MOTORS

SMARTVAP
INTUITIVE EVAPORATOR CONTROL TECHNOLOGY

NOMENCLATURE

BMP 3 48 L E - T5 A - T

Medium Profile Evaporator

Number of Fans

Nomi I Capacity:
x 1000 @ 10°F TD, Btu/H

Application Range:

M = Medium to High Temp 6 FPI (10°F to 35°F Evap Temp) *

L = Low Temp 6 FPI (-40°F to 0°F Evap Temp)

V = Low Temp 4 FPI (-40°F to 0°F Evap Temp)

W = Fluid Air Cooler (with water or glycol)

* **except "488M", which is 8 FPI**

Motor:

C = PSC Motors

T = SmartSpeed ECM

V = Variable Speed EC Motors (Requires a Controller)

Generation: A = 1st

Voltage:

S2 = 208-230/1/60

S4 = 460/1/60

S5 = 575/1/60

T3 = 208-230/3/60

T4 = 460/3/60

T5 = 575/3/60

Defrost:

A = Air

E = Electric

T = 3 Pipe Hot Gas w/ Electric Heater Pan

or Warm Fluid w/ Electric Heater Pan for Fluid Air Coolers

H = 3 Pipe Hot Gas w/ Hot Gas Loop Pan

G = Reverse Cycle w/ Electric Heater Pan

R = Reverse Cycle w/ Hot Gas Loop Pan

STANDARD FEATURES

- Compatible with Low GWP Refrigerants
- Totally enclosed high efficiency PSC motors
- High efficiency and high strength fan guard
- Hinged access panels
- Inter lly enhanced tubing
- Ample electrical and header compartments
- Adjustable Fan Delay on medium temp. Electric Defrost units
- Liquid line solenoid valve wire harness factory installed
- Schrader valve on suction header
- Positive slope, hinged drain pan
- Central drain connections (approximate)
- Universal drain fitting
- Large 3/4" ID (3/4" MPT) drain hole
- Factory installed distributor nozzle

AVAILABLE OPTIONS

- EC motors with patented SmartSpeed® Technology.
- **SmartVap+ Intuitive Evaporator Control Technology.**
- Hot gas loop pan with hot gas defrost models
- 230/460V Variable Speed EC Motors
- Wire fan guard
- Factory installed expansion valve, solenoid valve and room thermostat
- Corrosion protection: alter te fin materials and coatings
- Additio l options available, please contact factory



2025 Refrigeration Products Price List

EFFECTIVE DATE: 31 May 2025 - SUPERCEDES: 01 MARCH 2024

BMP-LINE, MEDIUM PROFILE EVAPORATORS (cont'd)

MEDIUM TEMP - AIR DEFROST

PSC MOTORS			WEIGHT		EC MOTORS - SMARTSPEED		EC MOTORS - VARIABLE SPEED	
MODEL	VOLTAGE	\$	lbs.	kg	MODEL	\$	MODEL	\$
BMP118MA-S2A-C	208-230/1/60	7035	154	70	BMP118MA-S2A-T	7501	BMP118MA-S2A-V	7570
BMP118MA-S4A-C	460/1/60	7328	154	70			BMP118MA-S4A-V	8399
BMP118MA-S5A-C	575/1/60	7474	154	70				
BMP118MA-S6A-C	200-220/1/50	7035	154	70	BMP118MA-S6A-T	7501	BMP118MA-S6A-V	7570
BMP118MA-S9A-C	380-400/1/50	7328	154	70			BMP118MA-S9A-V	8399
BMP122MA-S2A-C	208-230/1/60	8191	161	73	BMP122MA-S2A-T	8657	BMP122MA-S2A-V	8726
BMP122MA-S4A-C	460/1/60	8532	161	73			BMP122MA-S4A-V	9603
BMP122MA-S5A-C	575/1/60	8703	161	73				
BMP122MA-S6A-C	200-220/1/50	8191	161	73	BMP122MA-S6A-T	8657	BMP122MA-S6A-V	8726
BMP122MA-S9A-C	380-400/1/50	8532	161	73			BMP122MA-S9A-V	9603
BMP228MA-S2A-C	208-230/1/60	11034	224	102	BMP228MA-S2A-T	11966	BMP228MA-S2A-V	12105
BMP228MA-S4A-C	460/1/60	11493	224	102			BMP228MA-S4A-V	13636
BMP228MA-S5A-C	575/1/60	11723	224	102				
BMP228MA-S6A-C	200-220/1/50	11034	224	102	BMP228MA-S6A-T	11966	BMP228MA-S6A-V	12105
BMP228MA-S9A-C	380-400/1/50	11493	224	102			BMP228MA-S9A-V	13636
BMP236MA-S2A-C	208-230/1/60	14454	240	109	BMP236MA-S2A-T	15387	BMP236MA-S2A-V	15525
BMP236MA-S4A-C	460/1/60	15056	240	109			BMP236MA-S4A-V	17199
BMP236MA-S5A-C	575/1/60	15358	240	109				
BMP236MA-S6A-C	200-220/1/50	14454	240	109	BMP236MA-S6A-T	15387	BMP236MA-S6A-V	15525
BMP236MA-S9A-C	380-400/1/50	15056	240	109			BMP236MA-S9A-V	17199
BMP245MA-S2A-C	208-230/1/60	17084	254	116	BMP245MA-S2A-T	18016	BMP245MA-S2A-V	18155
BMP245MA-S4A-C	460/1/60	17909	254	116			BMP245MA-S4A-V	20052
BMP245MA-S5A-C	575/1/60	18267	254	116				
BMP245MA-S6A-C	200-220/1/50	17084	254	116	BMP245MA-S6A-T	18016	BMP245MA-S6A-V	18155
BMP245MA-S9A-C	380-400/1/50	17909	254	116			BMP245MA-S9A-V	20052
BMP355MA-S2A-C	208-230/1/60	19889	326	148	BMP355MA-S2A-T	21288	BMP355MA-S2A-V	21496
BMP355MA-S4A-C	460/1/60	20988	326	148			BMP355MA-S4A-V	24202
BMP355MA-S5A-C	575/1/60	21410	326	148				
BMP355MA-S6A-C	200-220/1/50	19889	326	148	BMP355MA-S6A-T	21288	BMP355MA-S6A-V	21496
BMP355MA-S9A-C	380-400/1/50	20988	326	148			BMP355MA-S9A-V	24202
BMP368MA-S2A-C	208-230/1/60	21112	349	159	BMP368MA-S2A-T	22510	BMP368MA-S2A-V	22718
BMP368MA-S4A-C	460/1/60	22211	349	159			BMP368MA-S4A-V	25425
BMP368MA-S5A-C	575/1/60	22653	349	159				
BMP368MA-S6A-C	200-220/1/50	21112	349	159	BMP368MA-S6A-T	22510	BMP368MA-S6A-V	22718
BMP368MA-S9A-C	380-400/1/50	22211	349	159			BMP368MA-S9A-V	25425
BMP480MA-S2A-C	208-230/1/60	23940	414	188	BMP480MA-S2A-T	25805	BMP480MA-S2A-V	26083
BMP480MA-S4A-C	460/1/60	25316	414	188			BMP480MA-S4A-V	29601
BMP480MA-S5A-C	575/1/60	25821	414	188				
BMP480MA-S6A-C	200-220/1/50	23940	414	188	BMP480MA-S6A-T	25805	BMP480MA-S6A-V	26083
BMP480MA-S9A-C	380-400/1/50	25316	414	188			BMP480MA-S9A-V	29601
BMP488MA-S2A-C	208-230/1/60	25568	433	197	BMP488MA-S2A-T	27433	BMP488MA-S2A-V	27710
BMP488MA-S4A-C	460/1/60	26633	433	197			BMP488MA-S4A-V	30918
BMP488MA-S5A-C	575/1/60	27166	433	197				
BMP488MA-S6A-C	200-220/1/50	25568	433	197	BMP488MA-S6A-T	27433	BMP488MA-S6A-V	27710
BMP488MA-S9A-C	380-400/1/50	26633	433	197			BMP488MA-S9A-V	30918

• OPTIONAL WIRE FAN GUARD - \$281 LIST / FAN SECTION



2025 Refrigeration Products Price List

EFFECTIVE DATE: 31 May 2025 - SUPERCEDES: 01 MARCH 2024

BMP-LINE, MEDIUM PROFILE EVAPORATORS (cont'd)

MEDIUM TEMP - ELECTRIC DEFROST

PSC MOTORS			WEIGHT		EC MOTORS - SMARTSPEED		EC MOTORS - VARIABLE SPEED	
MODEL	VOLTAGE	\$	lbs.	kg	MODEL	\$	MODEL	\$
BMP118ME-S2A-C	208-230/1/60	8681	163	74	BMP118ME-S2A-T	9147	BMP118ME-S2A-V	9217
BMP118ME-S4A-C	460/1/60	9120	163	74			BMP118ME-S4A-V	10191
BMP118ME-S5A-C	575/1/60	9300	163	74				
BMP118ME-S6A-C	200-220/1/50	8681	163	74	BMP118ME-S6A-T	9147	BMP118ME-S6A-V	9217
BMP118ME-S9A-C	380-400/1/50	9120	163	74			BMP118ME-S9A-V	10191
BMP118ME-T3A-C	208-230/3/60	8681	163	74	BMP118ME-T3A-T	9147	BMP118ME-T3A-V	9217
BMP118ME-T4A-C	460/3/60	9120	163	74			BMP118ME-T4A-V	10191
BMP118ME-T5A-C	575/3/60	9300	163	74				
BMP118ME-T7A-C	200-220/3/50	8681	163	74	BMP118ME-T7A-T	9147	BMP118ME-T7A-V	9217
BMP118ME-T9A-C	380-400/3/50	9120	163	74			BMP118ME-T9A-V	10191
BMP122ME-S2A-C	208-230/1/60	10430	171	78	BMP122ME-S2A-T	10897	BMP122ME-S2A-V	10966
BMP122ME-S4A-C	460/1/60	11204	171	78			BMP122ME-S4A-V	12275
BMP122ME-S5A-C	575/1/60	11429	171	78				
BMP122ME-S6A-C	200-220/1/50	10430	171	78	BMP122ME-S6A-T	10897	BMP122ME-S6A-V	10966
BMP122ME-S9A-C	380-400/1/50	11204	171	78			BMP122ME-S9A-V	12275
BMP122ME-T3A-C	208-230/3/60	10430	171	78	BMP122ME-T3A-T	10897	BMP122ME-T3A-V	10966
BMP122ME-T4A-C	460/3/60	11204	171	78			BMP122ME-T4A-V	12275
BMP122ME-T5A-C	575/3/60	11429	171	78				
BMP122ME-T7A-C	200-220/3/50	10430	171	78	BMP122ME-T7A-T	10897	BMP122ME-T7A-V	10966
BMP122ME-T9A-C	380-400/3/50	11204	171	78			BMP122ME-T9A-V	12275
BMP228ME-S2A-C	208-230/1/60	13759	241	109	BMP228ME-S2A-T	14692	BMP228ME-S2A-V	14831
BMP228ME-S4A-C	460/1/60	14509	241	109			BMP228ME-S4A-V	16651
BMP228ME-S5A-C	575/1/60	14800	241	109				
BMP228ME-S6A-C	200-220/1/50	13759	241	109	BMP228ME-S6A-T	14692	BMP228ME-S6A-V	14831
BMP228ME-S9A-C	380-400/1/50	14509	241	109			BMP228ME-S9A-V	16651
BMP228ME-T3A-C	208-230/3/60	13759	241	109	BMP228ME-T3A-T	14692	BMP228ME-T3A-V	14831
BMP228ME-T4A-C	460/3/60	14509	241	109			BMP228ME-T4A-V	16651
BMP228ME-T5A-C	575/3/60	14800	241	109				
BMP228ME-T7A-C	200-220/3/50	13759	241	109	BMP228ME-T7A-T	14692	BMP228ME-T7A-V	14831
BMP228ME-T9A-C	380-400/3/50	14509	241	109			BMP228ME-T9A-V	16651
BMP236ME-S2A-C	208-230/1/60	15483	257	117	BMP236ME-S2A-T	16416	BMP236ME-S2A-V	16555
BMP236ME-S4A-C	460/1/60	16646	257	117			BMP236ME-S4A-V	18789
BMP236ME-S5A-C	575/1/60	16980	257	117				
BMP236ME-S6A-C	200-220/1/50	15483	257	117	BMP236ME-S6A-T	16416	BMP236ME-S6A-V	16555
BMP236ME-S9A-C	380-400/1/50	16646	257	117			BMP236ME-S9A-V	18789
BMP236ME-T3A-C	208-230/3/60	15483	257	117	BMP236ME-T3A-T	16416	BMP236ME-T3A-V	16555
BMP236ME-T4A-C	460/3/60	16646	257	117			BMP236ME-T4A-V	18789
BMP236ME-T5A-C	575/3/60	16980	257	117				
BMP236ME-T7A-C	200-220/3/50	15483	257	117	BMP236ME-T7A-T	16416	BMP236ME-T7A-V	16555
BMP236ME-T9A-C	380-400/3/50	16646	257	117			BMP236ME-T9A-V	18789
BMP245ME-S2A-C	208-230/1/60	19066	270	123	BMP245ME-S2A-T	19998	BMP245ME-S2A-V	20137
BMP245ME-S4A-C	460/1/60	20235	270	123			BMP245ME-S4A-V	22377
BMP245ME-S5A-C	575/1/60	20640	270	123				
BMP245ME-S6A-C	200-220/1/50	19066	270	123	BMP245ME-S6A-T	19998	BMP245ME-S6A-V	20137
BMP245ME-S9A-C	380-400/1/50	20235	270	123			BMP245ME-S9A-V	22377
BMP245ME-T3A-C	208-230/3/60	19066	270	123	BMP245ME-T3A-T	19998	BMP245ME-T3A-V	20137
BMP245ME-T4A-C	460/3/60	20235	270	123			BMP245ME-T4A-V	22377
BMP245ME-T5A-C	575/3/60	20640	270	123				
BMP245ME-T7A-C	200-220/3/50	19066	270	123	BMP245ME-T7A-T	19998	BMP245ME-T7A-V	20137
BMP245ME-T9A-C	380-400/3/50	20235	270	123			BMP245ME-T9A-V	22377
BMP355ME-S2A-C	208-230/1/60	21604	349	159	BMP355ME-S2A-T	23003	BMP355ME-S2A-V	23211
BMP355ME-S4A-C	460/1/60	23037	349	159			BMP355ME-S4A-V	26251
BMP355ME-S5A-C	575/1/60	23498	349	159				
BMP355ME-S6A-C	200-220/1/50	21604	349	159	BMP355ME-S6A-T	23003	BMP355ME-S6A-V	23211
BMP355ME-S9A-C	380-400/1/50	23037	349	159			BMP355ME-S9A-V	26251
BMP355ME-T3A-C	208-230/3/60	21604	349	159	BMP355ME-T3A-T	23003	BMP355ME-T3A-V	23211
BMP355ME-T4A-C	460/3/60	23037	349	159			BMP355ME-T4A-V	26251
BMP355ME-T5A-C	575/3/60	23498	349	159				
BMP355ME-T7A-C	200-220/3/50	21604	349	159	BMP355ME-T7A-T	23003	BMP355ME-T7A-V	23211
BMP355ME-T9A-C	380-400/3/50	23037	349	159			BMP355ME-T9A-V	26251

Continues on next page >>>

NOTE: Fixed defrost termi tion is a standard feature. OPTIONAL adjustable defrost termi tion available.



2025 Refrigeration Products Price List

EFFECTIVE DATE: 31 May 2025 - SUPERCEDES: 01 MARCH 2024

BMP-LINE, MEDIUM PROFILE EVAPORATORS (cont'd)

MEDIUM TEMP - ELECTRIC DEFROST (cont'd)

PSC MOTORS			WEIGHT		EC MOTORS - SMARTSPEED [®]		EC MOTORS - VARIABLE SPEED	
MODEL	VOLTAGE	\$	lbs.	kg	MODEL	\$	MODEL	\$
BMP368ME-S2A-C	208-230/1/60	23944	372	169	BMP368ME-S2A-T	25343	BMP368ME-S2A-V	25551
BMP368ME-S4A-C	460/1/60	25802	372	169			BMP368ME-S4A-V	29015
BMP368ME-S5A-C	575/1/60	26318	372	169				
BMP368ME-S6A-C	200-220/1/50	23944	372	169	BMP368ME-S6A-T	25343	BMP368ME-S6A-V	25551
BMP368ME-S9A-C	380-400/1/50	25802	372	169			BMP368ME-S9A-V	29015
BMP368ME-T3A-C	208-230/3/60	23944	372	169	BMP368ME-T3A-T	25343	BMP368ME-T3A-V	25551
BMP368ME-T4A-C	460/3/60	25802	372	169			BMP368ME-T4A-V	29015
BMP368ME-T5A-C	575/3/60	26318	372	169				
BMP368ME-T7A-C	200-220/3/50	23944	372	169	BMP368ME-T7A-T	25343	BMP368ME-T7A-V	25551
BMP368ME-T9A-C	380-400/3/50	25802	372	169			BMP368ME-T9A-V	29015
BMP480ME-S2A-C	208-230/1/60	30532	441	200	BMP480ME-S2A-T	32397	BMP480ME-S2A-V	32675
BMP480ME-S4A-C	460/1/60	30718	441	200			BMP480ME-S4A-V	35003
BMP480ME-S5A-C	575/1/60	31018	441	200				
BMP480ME-S6A-C	200-220/1/50	30532	441	200	BMP480ME-S6A-T	32397	BMP480ME-S6A-V	32675
BMP480ME-S9A-C	380-400/1/50	30718	441	200			BMP480ME-S9A-V	35003
BMP480ME-T3A-C	208-230/3/60	30532	441	200	BMP480ME-T3A-T	32397	BMP480ME-T3A-V	32675
BMP480ME-T4A-C	460/3/60	30718	441	200			BMP480ME-T4A-V	35003
BMP480ME-T5A-C	575/3/60	31018	441	200				
BMP480ME-T7A-C	200-220/3/50	30532	441	200	BMP480ME-T7A-T	32397	BMP480ME-T7A-V	32675
BMP480ME-T9A-C	380-400/3/50	30718	441	200			BMP480ME-T9A-V	35003
BMP488ME-S2A-C	208-230/1/60	33586	460	209	BMP488ME-S2A-T	35451	BMP488ME-S2A-V	35728
BMP488ME-S4A-C	460/1/60	33790	460	209			BMP488ME-S4A-V	38075
BMP488ME-S5A-C	575/1/60	34119	460	209				
BMP488ME-S6A-C	200-220/1/50	33586	460	209	BMP488ME-S6A-T	35451	BMP488ME-S6A-V	35728
BMP488ME-S9A-C	380-400/1/50	33790	460	209			BMP488ME-S9A-V	38075
BMP488ME-T3A-C	208-230/3/60	33586	460	209	BMP488ME-T3A-T	35451	BMP488ME-T3A-V	35728
BMP488ME-T4A-C	460/3/60	33790	460	209			BMP488ME-T4A-V	38075
BMP488ME-T5A-C	575/3/60	34119	460	209				
BMP488ME-T7A-C	200-220/3/50	33586	460	209	BMP488ME-T7A-T	35451	BMP488ME-T7A-V	35728
BMP488ME-T9A-C	380-400/3/50	33790	460	209			BMP488ME-T9A-V	38075

MEDIUM TEMP - HOT GAS DEFROST

^ Insert appropriate code for hot gas defrost type

PSC MOTORS			WEIGHT		EC MOTORS - SMARTSPEED [®]		EC MOTORS - VARIABLE SPEED	
MODEL	VOLTAGE	\$	lbs.	kg	MODEL	\$	MODEL	\$
BMP118M [^] -S2A-C	208-230/1/60	8122	156	71	BMP118MG-S2A-T	8588	BMP118MG-S2A-V	8657
BMP118M [^] -S4A-C	460/1/60	8776	156	71			BMP118MG-S4A-V	9847
BMP118M [^] -S5A-C	575/1/60	8952	156	71				
BMP118M [^] -S6A-C	200-220/1/50	8122	156	71	BMP118MG-S6A-T	8588	BMP118MG-S6A-V	8657
BMP118M [^] -S9A-C	380-400/1/50	8776	156	71			BMP118MG-S9A-V	9847
BMP122M [^] -S2A-C	208-230/1/60	9841	164	75	BMP122MG-S2A-T	10307	BMP122MG-S2A-V	10377
BMP122M [^] -S4A-C	460/1/60	10634	164	75			BMP122MG-S4A-V	11705
BMP122M [^] -S5A-C	575/1/60	10847	164	75				
BMP122M [^] -S6A-C	200-220/1/50	9841	164	75	BMP122MG-S6A-T	10307	BMP122MG-S6A-V	10377
BMP122M [^] -S9A-C	380-400/1/50	10634	164	75			BMP122MG-S9A-V	11705
BMP228M [^] -S2A-C	208-230/1/60	12984	228	104	BMP228MG-S2A-T	13917	BMP228MG-S2A-V	14055
BMP228M [^] -S4A-C	460/1/60	13743	228	104			BMP228MG-S4A-V	15885
BMP228M [^] -S5A-C	575/1/60	14018	228	104				
BMP228M [^] -S6A-C	200-220/1/50	12984	228	104	BMP228MG-S6A-T	13917	BMP228MG-S6A-V	14055
BMP228M [^] -S9A-C	380-400/1/50	13743	228	104			BMP228MG-S9A-V	15885
BMP236M [^] -S2A-C	208-230/1/60	14605	244	111	BMP236MG-S2A-T	15538	BMP236MG-S2A-V	15676
BMP236M [^] -S4A-C	460/1/60	15795	244	111			BMP236MG-S4A-V	17937
BMP236M [^] -S5A-C	575/1/60	16112	244	111				
BMP236M [^] -S6A-C	200-220/1/50	14605	244	111	BMP236MG-S6A-T	15538	BMP236MG-S6A-V	15676
BMP236M [^] -S9A-C	380-400/1/50	15795	244	111			BMP236MG-S9A-V	17937
BMP245M [^] -S2A-C	208-230/1/60	17989	258	117	BMP245MG-S2A-T	18922	BMP245MG-S2A-V	19060
BMP245M [^] -S4A-C	460/1/60	19210	258	117			BMP245MG-S4A-V	21353
BMP245M [^] -S5A-C	575/1/60	19594	258	117				
BMP245M [^] -S6A-C	200-220/1/50	17989	258	117	BMP245MG-S6A-T	18922	BMP245MG-S6A-V	19060
BMP245M [^] -S9A-C	380-400/1/50	19210	258	117			BMP245MG-S9A-V	21353

Continues on next page >>>



2025 Refrigeration Products Price List

EFFECTIVE DATE: 31 May 2025 - SUPERCEDES: 01 MARCH 2024

BMP-LINE, MEDIUM PROFILE EVAPORATORS (cont'd)

MEDIUM TEMP - HOT GAS DEFROST (cont'd)

^ Insert appropriate code for hot gas defrost type

PSC MOTORS			WEIGHT		EC MOTORS - SMARTSPEED		EC MOTORS - VARIABLE SPEED	
MODEL	VOLTAGE	\$	lbs.	kg	MODEL	\$	MODEL	\$
BMP355M^S2A-C	208-230/1/60	20381	332	151	BMP355MG-S2A-T	21780	BMP355MG-S2A-V	21988
BMP355M^S4A-C	460/1/60	21843	332	151			BMP355MG-S4A-V	25057
BMP355M^S5A-C	575/1/60	22281	332	151				
BMP355M^S6A-C	200-220/1/50	20381	332	151	BMP355MG-S6A-T	21780	BMP355MG-S6A-V	21988
BMP355M^S9A-C	380-400/1/50	21843	332	151			BMP355MG-S9A-V	25057
BMP368M^S2A-C	208-230/1/60	22827	355	161	BMP368MG-S2A-T	24226	BMP368MG-S2A-V	24434
BMP368M^S4A-C	460/1/60	24464	355	161			BMP368MG-S4A-V	27678
BMP368M^S5A-C	575/1/60	24954	355	161				
BMP368M^S6A-C	200-220/1/50	22827	355	161	BMP368MG-S6A-T	24226	BMP368MG-S6A-V	24434
BMP368M^S9A-C	380-400/1/50	24464	355	161			BMP368MG-S9A-V	27678
BMP480M^S2A-C	208-230/1/60	29231	421	191	BMP480MG-S2A-T	31096	BMP480MG-S2A-V	31373
BMP480M^S4A-C	460/1/60	29775	421	191			BMP480MG-S4A-V	34060
BMP480M^S5A-C	575/1/60	30370	421	191				
BMP480M^S6A-C	200-220/1/50	29231	421	191	BMP480MG-S6A-T	31096	BMP480MG-S6A-V	31373
BMP480M^S9A-C	380-400/1/50	29775	421	191			BMP480MG-S9A-V	34060
BMP488M^S2A-C	208-230/1/60	32154	440	200	BMP488MG-S2A-T	34019	BMP488MG-S2A-V	34296
BMP488M^S4A-C	460/1/60	32752	440	200			BMP488MG-S4A-V	37037
BMP488M^S5A-C	575/1/60	33408	440	200				
BMP488M^S6A-C	200-220/1/50	32154	440	200	BMP488MG-S6A-T	34019	BMP488MG-S6A-V	34296
BMP488M^S9A-C	380-400/1/50	32752	440	200			BMP488MG-S9A-V	37037

LOW TEMP 6 FPI - ELECTRIC DEFROST

PSC MOTORS			WEIGHT		EC MOTORS - SMARTSPEED		EC MOTORS - VARIABLE SPEED	
MODEL	VOLTAGE	\$	lbs.	kg	MODEL	\$	MODEL	\$
BMP116LE-S2A-C	208-230/1/60	8640	164	75	BMP116LE-S2A-T	9106	BMP116LE-S2A-V	9175
BMP116LE-S4A-C	460/1/60	9076	164	75			BMP116LE-S4A-V	10147
BMP116LE-S5A-C	575/1/60	9256	164	75				
BMP116LE-S6A-C	200-220/1/50	8640	164	75	BMP116LE-S6A-T	9106	BMP116LE-S6A-V	9175
BMP116LE-S9A-C	380-400/1/50	9076	164	75			BMP116LE-S9A-V	10147
BMP116LE-T3A-C	208-230/3/60	8640	164	75	BMP116LE-T3A-T	9106	BMP116LE-T3A-V	9175
BMP116LE-T4A-C	460/3/60	9076	164	75			BMP116LE-T4A-V	10147
BMP116LE-T5A-C	575/3/60	9256	164	75				
BMP116LE-T7A-C	200-220/3/50	8640	164	75	BMP116LE-T7A-T	9106	BMP116LE-T7A-V	9175
BMP116LE-T9A-C	380-400/3/50	9076	164	75			BMP116LE-T9A-V	10147
BMP119LE-S2A-C	208-230/1/60	10321	171	78	BMP119LE-S2A-T	10788	BMP119LE-S2A-V	10857
BMP119LE-S4A-C	460/1/60	11087	171	78			BMP119LE-S4A-V	12159
BMP119LE-S5A-C	575/1/60	11308	171	78				
BMP119LE-S6A-C	200-220/1/50	10321	171	78	BMP119LE-S6A-T	10788	BMP119LE-S6A-V	10857
BMP119LE-S9A-C	380-400/1/50	11087	171	78			BMP119LE-S9A-V	12159
BMP119LE-T3A-C	208-230/3/60	10321	171	78	BMP119LE-T3A-T	10788	BMP119LE-T3A-V	10857
BMP119LE-T4A-C	460/3/60	11087	171	78			BMP119LE-T4A-V	12159
BMP119LE-T5A-C	575/3/60	11308	171	78				
BMP119LE-T7A-C	200-220/3/50	10321	171	78	BMP119LE-T7A-T	10788	BMP119LE-T7A-V	10857
BMP119LE-T9A-C	380-400/3/50	11087	171	78			BMP119LE-T9A-V	12159
BMP225LE-S2A-C	208-230/1/60	13825	243	110	BMP225LE-S2A-T	14757	BMP225LE-S2A-V	14896
BMP225LE-S4A-C	460/1/60	14578	243	110			BMP225LE-S4A-V	16720
BMP225LE-S5A-C	575/1/60	14871	243	110				
BMP225LE-S6A-C	200-220/1/50	13825	243	110	BMP225LE-S6A-T	14757	BMP225LE-S6A-V	14896
BMP225LE-S9A-C	380-400/1/50	14578	243	110			BMP225LE-S9A-V	16720
BMP225LE-T3A-C	208-230/3/60	13825	243	110	BMP225LE-T3A-T	14757	BMP225LE-T3A-V	14896
BMP225LE-T4A-C	460/3/60	14578	243	110			BMP225LE-T4A-V	16720
BMP225LE-T5A-C	575/3/60	14871	243	110				
BMP225LE-T7A-C	200-220/3/50	13825	243	110	BMP225LE-T7A-T	14757	BMP225LE-T7A-V	14896
BMP225LE-T9A-C	380-400/3/50	14578	243	110			BMP225LE-T9A-V	16720

NOTES:

- Fixed defrost termination is a standard feature.
OPTIONAL adjustable defrost termination available.
- Electric heater in drain pan is standard. OPTIONAL HOT GAS LOOP IN DRAIN PAN:
1 FAN = \$818, 2 FAN = \$993, 3 FAN = \$1192, 4 FAN = \$1402
- For approx. shipping weights for hot gas loop in drain pan models, refer to installation bulletin B30-BMPD-PDI
- All hot gas evaps include TXV bypass check valve shipped loose.

Continues on next page >>>



2025 Refrigeration Products Price List

EFFECTIVE DATE: 31 May 2025 - SUPERCEDES: 01 MARCH 2024

BMP-LINE, MEDIUM PROFILE EVAPORATORS (cont'd)

LOW TEMP 6 FPI - ELECTRIC DEFROST (cont'd)

PSC MOTORS			WEIGHT		EC MOTORS - SMARTSPEED		EC MOTORS - VARIABLE SPEED	
MODEL	VOLTAGE	\$	lbs.	kg	MODEL	\$	MODEL	\$
BMP232LE-S2A-C	208-230/1/60	15301	257	117	BMP232LE-S2A-T	16234	BMP232LE-S2A-V	16373
BMP232LE-S4A-C	460/1/60	16452	257	117			BMP232LE-S4A-V	18595
BMP232LE-S5A-C	575/1/60	16782	257	117				
BMP232LE-S6A-C	200-220/1/50	15301	257	117	BMP232LE-S6A-T	16234	BMP232LE-S6A-V	16373
BMP232LE-S9A-C	380-400/1/50	16452	257	117			BMP232LE-S9A-V	18595
BMP232LE-T3A-C	208-230/3/60	15301	257	117	BMP232LE-T3A-T	16234	BMP232LE-T3A-V	16373
BMP232LE-T4A-C	460/3/60	16452	257	117			BMP232LE-T4A-V	18595
BMP232LE-T5A-C	575/3/60	16782	257	117				
BMP232LE-T7A-C	200-220/3/50	15301	257	117	BMP232LE-T7A-T	16234	BMP232LE-T7A-V	16373
BMP232LE-T9A-C	380-400/3/50	16452	257	117			BMP232LE-T9A-V	18595
BMP240LE-S2A-C	208-230/1/60	18771	273	124	BMP240LE-S2A-T	19703	BMP240LE-S2A-V	19842
BMP240LE-S4A-C	460/1/60	19923	273	124			BMP240LE-S4A-V	22066
BMP240LE-S5A-C	575/1/60	20322	273	124				
BMP240LE-S6A-C	200-220/1/50	18771	273	124	BMP240LE-S6A-T	19703	BMP240LE-S6A-V	19842
BMP240LE-S9A-C	380-400/1/50	19923	273	124			BMP240LE-S9A-V	22066
BMP240LE-T3A-C	208-230/3/60	18771	273	124	BMP240LE-T3A-T	19703	BMP240LE-T3A-V	19842
BMP240LE-T4A-C	460/3/60	19923	273	124			BMP240LE-T4A-V	22066
BMP240LE-T5A-C	575/3/60	20322	273	124				
BMP240LE-T7A-C	200-220/3/50	18771	273	124	BMP240LE-T7A-T	19703	BMP240LE-T7A-V	19842
BMP240LE-T9A-C	380-400/3/50	19923	273	124			BMP240LE-T9A-V	22066
BMP348LE-S2A-C	208-230/1/60	20419	352	160	BMP348LE-S2A-T	21818	BMP348LE-S2A-V	22026
BMP348LE-S4A-C	460/1/60	21956	352	160			BMP348LE-S4A-V	25170
BMP348LE-S5A-C	575/1/60	22400	352	160				
BMP348LE-S6A-C	200-220/1/50	20419	352	160	BMP348LE-S6A-T	21818	BMP348LE-S6A-V	22026
BMP348LE-S9A-C	380-400/1/50	21956	352	160			BMP348LE-S9A-V	25170
BMP348LE-T3A-C	208-230/3/60	20419	352	160	BMP348LE-T3A-T	21818	BMP348LE-T3A-V	22026
BMP348LE-T4A-C	460/3/60	21956	352	160			BMP348LE-T4A-V	25170
BMP348LE-T5A-C	575/3/60	22400	352	160				
BMP348LE-T7A-C	200-220/3/50	20419	352	160	BMP348LE-T7A-T	21818	BMP348LE-T7A-V	22026
BMP348LE-T9A-C	380-400/3/50	21956	352	160			BMP348LE-T9A-V	25170
BMP356LE-S2A-C	208-230/1/60	23161	377	171	BMP356LE-S2A-T	24560	BMP356LE-S2A-V	24768
BMP356LE-S4A-C	460/1/60	24698	377	171			BMP356LE-S4A-V	27912
BMP356LE-S5A-C	575/1/60	25191	377	171				
BMP356LE-S6A-C	200-220/1/50	23161	377	171	BMP356LE-S6A-T	24560	BMP356LE-S6A-V	24768
BMP356LE-S9A-C	380-400/1/50	24698	377	171			BMP356LE-S9A-V	27912
BMP356LE-T3A-C	208-230/3/60	23161	377	171	BMP356LE-T3A-T	24560	BMP356LE-T3A-V	24768
BMP356LE-T4A-C	460/3/60	24698	377	171			BMP356LE-T4A-V	27912
BMP356LE-T5A-C	575/3/60	25191	377	171				
BMP356LE-T7A-C	200-220/3/50	23161	377	171	BMP356LE-T7A-T	24560	BMP356LE-T7A-V	24768
BMP356LE-T9A-C	380-400/3/50	24698	377	171			BMP356LE-T9A-V	27912
BMP471LE-S2A-C	208-230/1/60	30387	443	201	BMP471LE-S2A-T	32252	BMP471LE-S2A-V	32529
BMP471LE-S4A-C	460/1/60	30572	443	201			BMP471LE-S4A-V	34857
BMP471LE-S5A-C	575/1/60	30870	443	201				
BMP471LE-S6A-C	200-220/1/50	30387	443	201	BMP471LE-S6A-T	32252	BMP471LE-S6A-V	32529
BMP471LE-S9A-C	380-400/1/50	30572	443	201			BMP471LE-S9A-V	34857
BMP471LE-T3A-C	208-230/3/60	30387	443	201	BMP471LE-T3A-T	32252	BMP471LE-T3A-V	32529
BMP471LE-T4A-C	460/3/60	30572	443	201			BMP471LE-T4A-V	34857
BMP471LE-T5A-C	575/3/60	30870	443	201				
BMP471LE-T7A-C	200-220/3/50	30387	443	201	BMP471LE-T7A-T	32252	BMP471LE-T7A-V	32529
BMP471LE-T9A-C	380-400/3/50	30572	443	201			BMP471LE-T9A-V	34857



2025 Refrigeration Products Price List

EFFECTIVE DATE: 31 May 2025 - SUPERCEDES: 01 MARCH 2024

BMP-LINE, MEDIUM PROFILE EVAPORATORS (cont'd)

LOW TEMP 4 FPI - ELECTRIC DEFROST

PSC MOTORS			WEIGHT		EC MOTORS - SMARTSPEED		EC MOTORS - VARIABLE SPEED	
MODEL	VOLTAGE	\$	lbs.	kg	MODEL	\$	MODEL	\$
BMP113VE-S2A-C	208-230/1/60	8440	160	73	BMP113VE-S2A-T	8906	BMP113VE-S2A-V	8975
BMP113VE-S4A-C	460/1/60	8921	160	73			BMP113VE-S4A-V	9993
BMP113VE-S5A-C	575/1/60	9100	160	73				
BMP113VE-S6A-C	200-220/1/50	8440	160	73	BMP113VE-S6A-T	8906	BMP113VE-S6A-V	8975
BMP113VE-S9A-C	380-400/1/50	8921	160	73			BMP113VE-S9A-V	9993
BMP113VE-T3A-C	208-230/3/60	8440	160	73	BMP113VE-T3A-T	8906	BMP113VE-T3A-V	8975
BMP113VE-T4A-C	460/3/60	8921	160	73			BMP113VE-T4A-V	9993
BMP113VE-T5A-C	575/3/60	9100	160	73				
BMP113VE-T7A-C	200-220/3/50	8440	160	73	BMP113VE-T7A-T	8906	BMP113VE-T7A-V	8975
BMP113VE-T9A-C	380-400/3/50	8921	160	73			BMP113VE-T9A-V	9993
BMP117VE-S2A-C	208-230/1/60	9294	166	76	BMP117VE-S2A-T	9760	BMP117VE-S2A-V	9830
BMP117VE-S4A-C	460/1/60	10063	166	76			BMP117VE-S4A-V	11135
BMP117VE-S5A-C	575/1/60	10260	166	76				
BMP117VE-S6A-C	200-220/1/50	9294	166	76	BMP117VE-S6A-T	9760	BMP117VE-S6A-V	9830
BMP117VE-S9A-C	380-400/1/50	10063	166	76			BMP117VE-S9A-V	11135
BMP117VE-T3A-C	208-230/3/60	9294	166	76	BMP117VE-T3A-T	9760	BMP117VE-T3A-V	9830
BMP117VE-T4A-C	460/3/60	10063	166	76			BMP117VE-T4A-V	11135
BMP117VE-T5A-C	575/3/60	10260	166	76				
BMP117VE-T7A-C	200-220/3/50	9294	166	76	BMP117VE-T7A-T	9760	BMP117VE-T7A-V	9830
BMP117VE-T9A-C	380-400/3/50	10063	166	76			BMP117VE-T9A-V	11135
BMP222VE-S2A-C	208-230/1/60	12743	238	108	BMP222VE-S2A-T	13676	BMP222VE-S2A-V	13815
BMP222VE-S4A-C	460/1/60	13516	238	108			BMP222VE-S4A-V	15658
BMP222VE-S5A-C	575/1/60	13786	238	108				
BMP222VE-S6A-C	200-220/1/50	12743	238	108	BMP222VE-S6A-T	13676	BMP222VE-S6A-V	13815
BMP222VE-S9A-C	380-400/1/50	13516	238	108			BMP222VE-S9A-V	15658
BMP222VE-T3A-C	208-230/3/60	12743	238	108	BMP222VE-T3A-T	13676	BMP222VE-T3A-V	13815
BMP222VE-T4A-C	460/3/60	13516	238	108			BMP222VE-T4A-V	15658
BMP222VE-T5A-C	575/3/60	13786	238	108				
BMP222VE-T7A-C	200-220/3/50	12743	238	108	BMP222VE-T7A-T	13676	BMP222VE-T7A-V	13815
BMP222VE-T9A-C	380-400/3/50	13516	238	108			BMP222VE-T9A-V	15658
BMP228VE-S2A-C	208-230/1/60	15319	250	114	BMP228VE-S2A-T	16252	BMP228VE-S2A-V	16391
BMP228VE-S4A-C	460/1/60	16343	250	114			BMP228VE-S4A-V	18486
BMP228VE-S5A-C	575/1/60	16668	250	114				
BMP228VE-S6A-C	200-220/1/50	15319	250	114	BMP228VE-S6A-T	16252	BMP228VE-S6A-V	16391
BMP228VE-S9A-C	380-400/1/50	16343	250	114			BMP228VE-S9A-V	18486
BMP228VE-T3A-C	208-230/3/60	15319	250	114	BMP228VE-T3A-T	16252	BMP228VE-T3A-V	16391
BMP228VE-T4A-C	460/3/60	16343	250	114			BMP228VE-T4A-V	18486
BMP228VE-T5A-C	575/3/60	16668	250	114				
BMP228VE-T7A-C	200-220/3/50	15319	250	114	BMP228VE-T7A-T	16252	BMP228VE-T7A-V	16391
BMP228VE-T9A-C	380-400/3/50	16343	250	114			BMP228VE-T9A-V	18486
BMP234VE-S2A-C	208-230/1/60	18019	263	120	BMP234VE-S2A-T	18951	BMP234VE-S2A-V	19090
BMP234VE-S4A-C	460/1/60	19176	263	120			BMP234VE-S4A-V	21318
BMP234VE-S5A-C	575/1/60	19559	263	120				
BMP234VE-S6A-C	200-220/1/50	18019	263	120	BMP234VE-S6A-T	18951	BMP234VE-S6A-V	19090
BMP234VE-S9A-C	380-400/1/50	19176	263	120			BMP234VE-S9A-V	21318
BMP234VE-T3A-C	208-230/3/60	18019	263	120	BMP234VE-T3A-T	18951	BMP234VE-T3A-V	19090
BMP234VE-T4A-C	460/3/60	19176	263	120			BMP234VE-T4A-V	21318
BMP234VE-T5A-C	575/3/60	19559	263	120				
BMP234VE-T7A-C	200-220/3/50	18019	263	120	BMP234VE-T7A-T	18951	BMP234VE-T7A-V	19090
BMP234VE-T9A-C	380-400/3/50	19176	263	120			BMP234VE-T9A-V	21318
BMP339VE-S2A-C	208-230/1/60	19603	346	157	BMP339VE-S2A-T	21002	BMP339VE-S2A-V	21210
BMP339VE-S4A-C	460/1/60	21138	346	157			BMP339VE-S4A-V	24352
BMP339VE-S5A-C	575/1/60	21562	346	157				
BMP339VE-S6A-C	200-220/1/50	19603	346	157	BMP339VE-S6A-T	21002	BMP339VE-S6A-V	21210
BMP339VE-S9A-C	380-400/1/50	21138	346	157			BMP339VE-S9A-V	24352
BMP339VE-T3A-C	208-230/3/60	19603	346	157	BMP339VE-T3A-T	21002	BMP339VE-T3A-V	21210
BMP339VE-T4A-C	460/3/60	21138	346	157			BMP339VE-T4A-V	24352
BMP339VE-T5A-C	575/3/60	21562	346	157				
BMP339VE-T7A-C	200-220/3/50	19603	346	157	BMP339VE-T7A-T	21002	BMP339VE-T7A-V	21210
BMP339VE-T9A-C	380-400/3/50	21138	346	157			BMP339VE-T9A-V	24352

Continues on next page >>>



2025 Refrigeration Products Price List

EFFECTIVE DATE: 31 May 2025 - SUPERCEDES: 01 MARCH 2024

BMP-LINE, MEDIUM PROFILE EVAPORATORS (cont'd)

LOW TEMP 4 FPI - ELECTRIC DEFROST (cont'd)

PSC MOTORS			WEIGHT		EC MOTORS - SMARTSPEED		EC MOTORS - VARIABLE SPEED	
MODEL	VOLTAGE	\$	lbs.	kg	MODEL	\$	MODEL	\$
BMP350VE-S2A-C	208-230/1/60	22183	362	165	BMP350VE-S2A-T	23581	BMP350VE-S2A-V	23790
BMP350VE-S4A-C	460/1/60	23717	362	165			BMP350VE-S4A-V	26930
BMP350VE-S5A-C	575/1/60	24190	362	165				
BMP350VE-S6A-C	200-220/1/50	22183	362	165	BMP350VE-S6A-T	23581	BMP350VE-S6A-V	23790
BMP350VE-S9A-C	380-400/1/50	23717	362	165			BMP350VE-S9A-V	26930
BMP350VE-T3A-C	208-230/3/60	22183	362	165	BMP350VE-T3A-T	23581	BMP350VE-T3A-V	23790
BMP350VE-T4A-C	460/3/60	23717	362	165			BMP350VE-T4A-V	26930
BMP350VE-T5A-C	575/3/60	24190	362	165				
BMP350VE-T7A-C	200-220/3/50	22183	362	165	BMP350VE-T7A-T	23581	BMP350VE-T7A-V	23790
BMP350VE-T9A-C	380-400/3/50	23717	362	165			BMP350VE-T9A-V	26930
BMP459VE-S2A-C	208-230/1/60	23896	425	193	BMP459VE-S2A-T	25761	BMP459VE-S2A-V	26039
BMP459VE-S4A-C	460/1/60	25818	425	193			BMP459VE-S4A-V	30103
BMP459VE-S5A-C	575/1/60	26331	425	193				
BMP459VE-S6A-C	200-220/1/50	23896	425	193	BMP459VE-S6A-T	25761	BMP459VE-S6A-V	26039
BMP459VE-S9A-C	380-400/1/50	25818	425	193			BMP459VE-S9A-V	30103
BMP459VE-T3A-C	208-230/3/60	23896	425	193	BMP459VE-T3A-T	25761	BMP459VE-T3A-V	26039
BMP459VE-T4A-C	460/3/60	25818	425	193			BMP459VE-T4A-V	30103
BMP459VE-T5A-C	575/3/60	26331	425	193				
BMP459VE-T7A-C	200-220/3/50	23896	425	193	BMP459VE-T7A-T	25761	BMP459VE-T7A-V	26039
BMP459VE-T9A-C	380-400/3/50	25818	425	193			BMP459VE-T9A-V	30103

LOW TEMP 6 FPI - HOT GAS DEFROST

^ Insert appropriate code for hot gas defrost type

PSC MOTORS			WEIGHT		EC MOTORS - SMARTSPEED		EC MOTORS - VARIABLE SPEED	
MODEL	VOLTAGE	\$	lbs.	kg	MODEL	\$	MODEL	\$
BMP116L^S2A-C	208-230/1/60	8122	157	71	BMP116LG-S2A-T	8588	BMP116LG-S2A-V	8657
BMP116L^S4A-C	460/1/60	8776	157	71			BMP116LG-S4A-V	9847
BMP116L^S5A-C	575/1/60	8952	157	71				
BMP116L^S6A-C	200-220/1/50	8122	157	71	BMP116LG-S6A-T	8588	BMP116LG-S6A-V	8657
BMP116L^S9A-C	380-400/1/50	8776	157	71			BMP116LG-S9A-V	9847
BMP119L^S2A-C	208-230/1/60	9740	164	75	BMP119LG-S2A-T	10206	BMP119LG-S2A-V	10275
BMP119L^S4A-C	460/1/60	10525	164	75			BMP119LG-S4A-V	11596
BMP119L^S5A-C	575/1/60	10734	164	75				
BMP119L^S6A-C	200-220/1/50	9740	164	75	BMP119LG-S6A-T	10206	BMP119LG-S6A-V	10275
BMP119L^S9A-C	380-400/1/50	10525	164	75			BMP119LG-S9A-V	11596
BMP225L^S2A-C	208-230/1/60	13362	230	105	BMP225LG-S2A-T	14295	BMP225LG-S2A-V	14434
BMP225L^S4A-C	460/1/60	14146	230	105			BMP225LG-S4A-V	16288
BMP225L^S5A-C	575/1/60	14427	230	105				
BMP225L^S6A-C	200-220/1/50	13362	230	105	BMP225LG-S6A-T	14295	BMP225LG-S6A-V	14434
BMP225L^S9A-C	380-400/1/50	14146	230	105			BMP225LG-S9A-V	16288
BMP232L^S2A-C	208-230/1/60	14434	245	112	BMP232LG-S2A-T	15366	BMP232LG-S2A-V	15505
BMP232L^S4A-C	460/1/60	15611	245	112			BMP232LG-S4A-V	17753
BMP232L^S5A-C	575/1/60	15924	245	112				
BMP232L^S6A-C	200-220/1/50	14434	245	112	BMP232LG-S6A-T	15366	BMP232LG-S6A-V	15505
BMP232L^S9A-C	380-400/1/50	15611	245	112			BMP232LG-S9A-V	17753
BMP240L^S2A-C	208-230/1/60	17712	261	119	BMP240LG-S2A-T	18645	BMP240LG-S2A-V	18784
BMP240L^S4A-C	460/1/60	18912	261	119			BMP240LG-S4A-V	21054
BMP240L^S5A-C	575/1/60	19292	261	119				
BMP240L^S6A-C	200-220/1/50	17712	261	119	BMP240LG-S6A-T	18645	BMP240LG-S6A-V	18784
BMP240L^S9A-C	380-400/1/50	18912	261	119			BMP240LG-S9A-V	21054
BMP348L^S2A-C	208-230/1/60	19270	335	152	BMP348LG-S2A-T	20668	BMP348LG-S2A-V	20877
BMP348L^S4A-C	460/1/60	20832	335	152			BMP348LG-S4A-V	24045
BMP348L^S5A-C	575/1/60	21251	335	152				
BMP348L^S6A-C	200-220/1/50	19270	335	152	BMP348LG-S6A-T	20668	BMP348LG-S6A-V	20877
BMP348L^S9A-C	380-400/1/50	20832	335	152			BMP348LG-S9A-V	24045
BMP356L^S2A-C	208-230/1/60	21850	360	164	BMP356LG-S2A-T	23248	BMP356LG-S2A-V	23456
BMP356L^S4A-C	460/1/60	23418	360	164			BMP356LG-S4A-V	26632
BMP356L^S5A-C	575/1/60	23887	360	164				
BMP356L^S6A-C	200-220/1/50	21850	360	164	BMP356LG-S6A-T	23248	BMP356LG-S6A-V	23456
BMP356L^S9A-C	380-400/1/50	23418	360	164			BMP356LG-S9A-V	26632

Continued on next page >



2025 Refrigeration Products Price List

EFFECTIVE DATE: 31 May 2025 - SUPERCEDES: 01 MARCH 2024

BMP-LINE, MEDIUM PROFILE EVAPORATORS (cont'd)

LOW TEMP 6 FPI - HOT GAS DEFROST (cont'd)

^ Insert appropriate code for hot gas defrost type

PSC MOTORS			WEIGHT		EC MOTORS - SMARTSPEED		EC MOTORS - VARIABLE SPEED	
MODEL	VOLTAGE	\$	lbs.	kg	MODEL	\$	MODEL	\$
BMP471L [^] -S2A-C	208-230/1/60	29231	423	192	BMP471LG-S2A-T	31096	BMP471LG-S2A-V	31373
BMP471L [^] -S4A-C	460/1/60	29775	423	192			BMP471LG-S4A-V	34060
BMP471L [^] -S5A-C	575/1/60	30370	423	192				
BMP471L [^] -S6A-C	200-220/1/50	29231	423	192	BMP471LG-S6A-T	31096	BMP471LG-S6A-V	31373
BMP471L [^] -S9A-C	380-400/1/50	29775	423	192			BMP471LG-S9A-V	34060

LOW TEMP 4 FPI - HOT GAS DEFROST

^ Insert appropriate code for hot gas defrost type

PSC MOTORS			WEIGHT		EC MOTORS - SMARTSPEED		EC MOTORS - VARIABLE SPEED	
MODEL	VOLTAGE	\$	lbs.	kg	MODEL	\$	MODEL	\$
BMP113V [^] -S2A-C	208-230/1/60	7555	153	70	BMP113VH-S2A-T	7986	BMP113VH-S2A-V	8055
BMP113V [^] -S4A-C	460/1/60	8178	153	70			BMP113VH-S4A-V	9211
BMP113V [^] -S5A-C	575/1/60	8342	153	70				
BMP113V [^] -S6A-C	200-220/1/50	7555	153	70	BMP113VH-S6A-T	7986	BMP113VH-S6A-V	8055
BMP113V [^] -S9A-C	380-400/1/50	8178	153	70			BMP113VH-S9A-V	9211
BMP117V [^] -S2A-C	208-230/1/60	9633	160	73	BMP117VH-S2A-T	10053	BMP117VH-S2A-V	10123
BMP117V [^] -S4A-C	460/1/60	10427	160	73			BMP117VH-S4A-V	11449
BMP117V [^] -S5A-C	575/1/60	10636	160	73				
BMP117V [^] -S6A-C	200-220/1/50	9633	160	73	BMP117VH-S6A-T	10053	BMP117VH-S6A-V	10123
BMP117V [^] -S9A-C	380-400/1/50	10427	160	73			BMP117VH-S9A-V	11449
BMP222V [^] -S2A-C	208-230/1/60	13157	226	103	BMP222VH-S2A-T	14027	BMP222VH-S2A-V	14166
BMP222V [^] -S4A-C	460/1/60	13957	226	103			BMP222VH-S4A-V	16034
BMP222V [^] -S5A-C	575/1/60	14237	226	103				
BMP222V [^] -S6A-C	200-220/1/50	13157	226	103	BMP222VH-S6A-T	14027	BMP222VH-S6A-V	14166
BMP222V [^] -S9A-C	380-400/1/50	13957	226	103			BMP222VH-S9A-V	16034
BMP228V [^] -S2A-C	208-230/1/60	14434	238	108	BMP228VH-S2A-T	16270	BMP228VH-S2A-V	16408
BMP228V [^] -S4A-C	460/1/60	15611	238	108			BMP228VH-S4A-V	18669
BMP228V [^] -S5A-C	575/1/60	15924	238	108				
BMP228V [^] -S6A-C	200-220/1/50	14434	238	108	BMP228VH-S6A-T	16270	BMP228VH-S6A-V	16408
BMP228V [^] -S9A-C	380-400/1/50	15611	238	108			BMP228VH-S9A-V	18669
BMP234V [^] -S2A-C	208-230/1/60	17520	252	114	BMP234VH-S2A-T	18370	BMP234VH-S2A-V	18508
BMP234V [^] -S4A-C	460/1/60	18755	252	114			BMP234VH-S4A-V	20808
BMP234V [^] -S5A-C	575/1/60	19129	252	114				
BMP234V [^] -S6A-C	200-220/1/50	17520	252	114	BMP234VH-S6A-T	18370	BMP234VH-S6A-V	18508
BMP234V [^] -S9A-C	380-400/1/50	18755	252	114			BMP234VH-S9A-V	20808
BMP339V [^] -S2A-C	208-230/1/60	19270	329	150	BMP339VH-S2A-T	20608	BMP339VH-S2A-V	20816
BMP339V [^] -S4A-C	460/1/60	20832	329	150			BMP339VH-S4A-V	24038
BMP339V [^] -S5A-C	575/1/60	21251	329	150				
BMP339V [^] -S6A-C	200-220/1/50	19270	329	150	BMP339VH-S6A-T	20608	BMP339VH-S6A-V	20816
BMP339V [^] -S9A-C	380-400/1/50	20832	329	150			BMP339VH-S9A-V	24038
BMP350V [^] -S2A-C	208-230/1/60	21850	346	157	BMP350VH-S2A-T	24106	BMP350VH-S2A-V	24314
BMP350V [^] -S4A-C	460/1/60	23418	346	157			BMP350VH-S4A-V	27104
BMP350V [^] -S5A-C	575/1/60	23887	346	157				
BMP350V [^] -S6A-C	200-220/1/50	21850	346	157	BMP350VH-S6A-T	24106	BMP350VH-S6A-V	24314
BMP350V [^] -S9A-C	380-400/1/50	23418	346	157			BMP350VH-S9A-V	27104
BMP459V [^] -S2A-C	208-230/1/60	25575	406	185	BMP459VH-S2A-T	27440	BMP459VH-S2A-V	27718
BMP459V [^] -S4A-C	460/1/60	26399	406	185			BMP459VH-S4A-V	30684
BMP459V [^] -S5A-C	575/1/60	26927	406	185				
BMP459V [^] -S6A-C	200-220/1/50	25575	406	185	BMP459VH-S6A-T	27440	BMP459VH-S6A-V	27718
BMP459V [^] -S9A-C	380-400/1/50	26399	406	185			BMP459VH-S9A-V	30684

NOTES:

- Fixed defrost termination is a standard feature.
- OPTIONAL adjustable defrost termination available.
- Electric heater in drain pan is standard. OPTIONAL HOT GAS LOOP IN DRAIN PAN:
1 FAN = \$818, 2 FAN = \$993, 3 FAN = \$1192, 4 FAN = \$1402
- For approx. shipping weights for hot gas loop in drain pan models, refer to installation bulletin B30-BMPD-PDI
- All hot gas evaps include TXV bypass check valve shipped loose.



2025 Refrigeration Products Price List

EFFECTIVE DATE: 31 May 2025 - SUPERCEDES: 01 MARCH 2024

BMP-LINE, MEDIUM PROFILE EVAPORATORS (cont'd) OPTIONAL HOT GAS KITS

FOR 3-PIPE UNITS WITH ELECTRIC DRAIN PAN HEATER

OPT1-T: TXV + BYPASS CHECK VALVE KIT
INCLUDES QTY. ONE BYPASS CHECK VALVE
+ TXV FACTORY INSTALLED

MODEL	LIST
1 FAN UNITS	1386
2 FAN UNITS	1778
3 FAN UNITS	1942
4 FAN UNITS	2079

FOR REVERSE CYCLE UNITS WITH ELECTRIC DRAIN PAN HEATER

OPT1-G: TXV + BYPASS CHECK VALVE KIT
INCLUDES QTY. ONE TXV, BYPASS CHECK VALVE
AND BYPASS PIPING

MODEL	LIST
1 FAN UNITS	1459
2 FAN UNITS	1872
3 FAN UNITS	2044
4 FAN UNITS	2188

FOR 3-PIPE UNITS WITH HOT GAS LOOP

OPT1-H: TXV + BYPASS CHECK VALVE KIT
INCLUDES QTY. ONE TXV, BYPASS CHECK VALVE AND
PIPING FROM DRAIN LOOP TO CHECKVALVE

MODEL	LIST
1 FAN UNITS	1578
2 FAN UNITS	1969
3 FAN UNITS	2182
4 FAN UNITS	2319

Kit does not include Hot Gas Loop option price.

FOR REVERSE CYCLE UNITS WITH ELECTRIC DRAIN PAN HEATER

OPT1-R: TXV + BYPASS CHECK VALVE KIT INCLUDES
QTY. ONE TXV, BYPASS CHECK VALVE AND BYPASS PIPING
PIPING FROM DRAIN LOOP TO CHECKVALVE

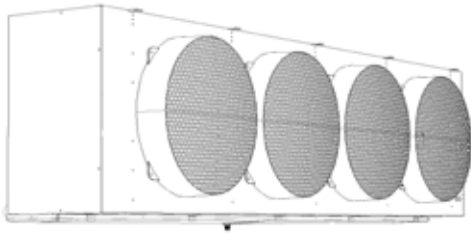
**OPT2-R: DRAIN PAN LOOP CHECK VALVE AND
SUCTION LINE CHECK VALVE KIT**

INCLUDES QTY. ONE DRAIN PAN CHECK VALVE, QTY. ONE
SUCTION LINE CHECK VALVE AND CONNECTED PIPING

MODEL	TXV BY-PASS CHECK VALVE KIT	DRAIN PAN + SUCTION LINE CHECK VALVE KIT
1 FAN UNITS	1459	3887
2 FAN UNITS	1872	4271
3 FAN UNITS	2044	4407
4 FAN UNITS	2188	4593

Kit does not include Hot Gas Loop option price.

BEP-LINE, EXTENDED PROFILE EVAPORATORS

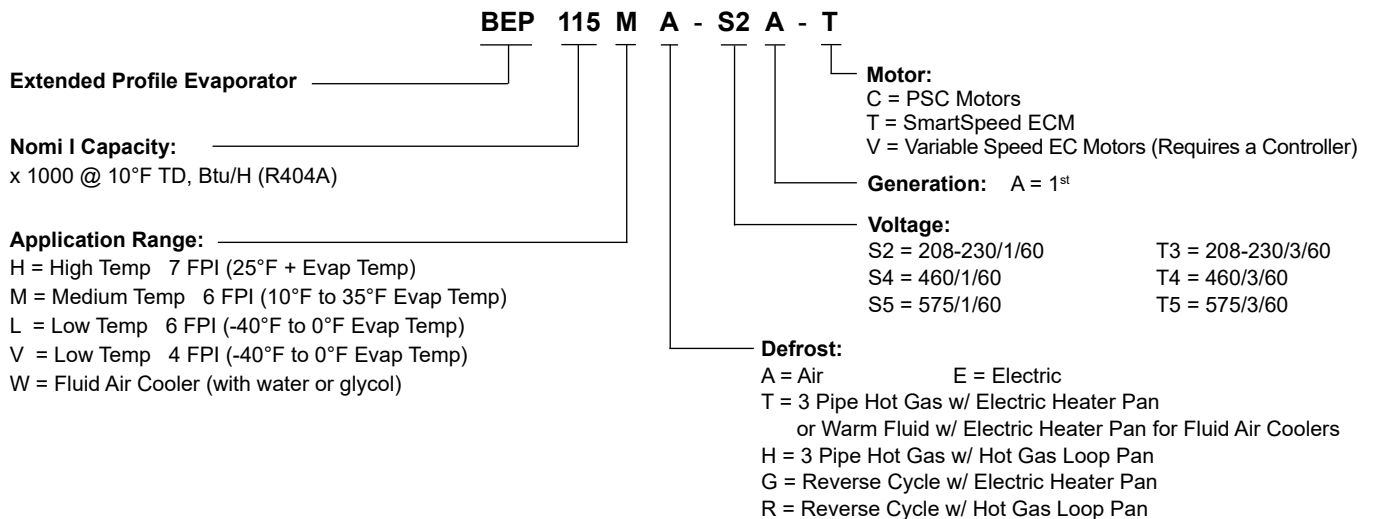


web: www.b-rp.ca/bep
 email: evaps@b-rp.ca
 call: 1-844-893-3222 x520

SMARTSPEED™
FAN MOTOR TECHNOLOGY
AVAILABLE WITH OPTIONAL EC MOTORS

SMARTVAP
INTUITIVE EVAPORATOR CONTROL TECHNOLOGY

NOMENCLATURE



STANDARD FEATURES

- Compatible with Low GWP Refrigerants
- Totally enclosed high efficiency PSC motors
- High efficiency and high strength fan guard
- Hinged access panels
- Inter lly enhanced tubing
- Ample electrical and header compartments
- Adjustable Fan Delay on Electric Defrost units
- Liquid line solenoid valve wire harness factory installed
- Schrader valve on suction header
- Positive slope, hinged drain pan
- Central drain connections (approximate)
- Universal drain fitting
- Large 3/4" ID (3/4" MPT) drain hole
- Factory installed distributor nozzle

AVAILABLE OPTIONS

- EC motors with patented SmartSpeed® Technology.
- **SmartVap+ Intuitive Evaporator Control Technology.**
- Hot gas loop pan with hot gas defrost models
- 230/460V Variable Speed EC Motors
- Wire fan guard
- Factory installed expansion valve (TXV + EEV), solenoid valve and room thermostat
- Corrosion protection: alter te fin material and coatings
- Additio I options available, please contact factory



2025 Refrigeration Products Price List

EFFECTIVE DATE: 31 May 2025 - SUPERCEDES: 01 MARCH 2024

BEP-LINE, EXTENDED PROFILE EVAPORATORS (cont'd)

HIGH TEMP - AIR DEFROST

PSC MOTORS			WEIGHT		EC MOTORS - SMARTSPEED		EC MOTORS - VARIABLE SPEED	
MODEL	VOLTAGE	\$	lbs.	kg	MODEL	\$	MODEL	\$
BEP028HA-S2A-C	208-230/1/60	13368	200	91	BEP028HA-S2A-T	14122	BEP028HA-S2A-V	14264
BEP028HA-S4A-C	460/1/60	14171	200	91			BEP028HA-S4A-V	15648
BEP028HA-S5A-C	575/1/60	14438	200	91				
BEP028HA-S6A-C	200-220/1/50	13368	200	91	BEP028HA-S6A-T	14122	BEP028HA-S6A-V	14264
BEP028HA-S9A-C	380-400/1/50	14171	200	91			BEP028HA-S9A-V	15648
BEP033HA-S2A-C	208-230/1/60	13976	210	95	BEP033HA-S2A-T	14730	BEP033HA-S2A-V	14872
BEP033HA-S4A-C	460/1/60	14815	210	95			BEP033HA-S4A-V	16292
BEP033HA-S5A-C	575/1/60	15094	210	95				
BEP033HA-S6A-C	200-220/1/50	13976	210	95	BEP033HA-S6A-T	14730	BEP033HA-S6A-V	14872
BEP033HA-S9A-C	380-400/1/50	14815	210	95			BEP033HA-S9A-V	16292
BEP043HA-S2A-C	208-230/1/60	17250	290	132	BEP043HA-S2A-T	18758	BEP043HA-S2A-V	19042
BEP043HA-S4A-C	460/1/60	18285	290	132			BEP043HA-S4A-V	21241
BEP043HA-S5A-C	575/1/60	18630	290	132				
BEP043HA-S6A-C	200-220/1/50	17250	290	132	BEP043HA-S6A-T	18758	BEP043HA-S6A-V	19042
BEP043HA-S9A-C	380-400/1/50	18285	290	132			BEP043HA-S9A-V	21241
BEP056HA-S2A-C	208-230/1/60	18854	310	141	BEP056HA-S2A-T	20362	BEP056HA-S2A-V	20646
BEP056HA-S4A-C	460/1/60	19985	310	141			BEP056HA-S4A-V	22941
BEP056HA-S5A-C	575/1/60	20362	310	141				
BEP056HA-S6A-C	200-220/1/50	18854	310	141	BEP056HA-S6A-T	20362	BEP056HA-S6A-V	20646
BEP056HA-S9A-C	380-400/1/50	19985	310	141			BEP056HA-S9A-V	22941
BEP065HA-S2A-C	208-230/1/60	20074	330	150	BEP065HA-S2A-T	21582	BEP065HA-S2A-V	21866
BEP065HA-S4A-C	460/1/60	21278	330	150			BEP065HA-S4A-V	24234
BEP065HA-S5A-C	575/1/60	21680	330	150				
BEP065HA-S6A-C	200-220/1/50	20074	330	150	BEP065HA-S6A-T	21582	BEP065HA-S6A-V	21866
BEP065HA-S9A-C	380-400/1/50	21278	330	150			BEP065HA-S9A-V	24234
BEP084HA-S2A-C	208-230/1/60	25609	425	193	BEP084HA-S2A-T	27871	BEP084HA-S2A-V	28297
BEP084HA-T3A-C	208-230/3/60	25609	425	193				
BEP084HA-S4A-C	460/1/60	27146	425	193			BEP084HA-S4A-V	31579
BEP084HA-S5A-C	575/1/60	27658	425	193				
BEP084HA-S6A-C	200-220/1/50	25609	425	193	BEP084HA-S6A-T	27871	BEP084HA-S6A-V	28297
BEP084HA-S9A-C	380-400/1/50	27146	425	193			BEP084HA-S9A-V	31579
BEP098HA-S2A-C	208-230/1/60	30068	455	207	BEP098HA-S2A-T	32329	BEP098HA-S2A-V	32756
BEP098HA-T3A-C	208-230/3/60	30068	455	207				
BEP098HA-S4A-C	460/1/60	31872	455	207			BEP098HA-S4A-V	36305
BEP098HA-S5A-C	575/1/60	32473	455	207				
BEP098HA-S6A-C	200-220/1/50	30068	455	207	BEP098HA-S6A-T	32329	BEP098HA-S6A-V	32756
BEP098HA-S9A-C	380-400/1/50	31872	455	207			BEP098HA-S9A-V	36305
BEP124HA-S2A-C	208-230/1/60	32782	565	257	BEP124HA-S2A-T	35798	BEP124HA-S2A-V	36366
BEP124HA-T3A-C	208-230/3/60	32782	565	257				
BEP124HA-S4A-C	460/1/60	34749	565	257			BEP124HA-S4A-V	40660
BEP124HA-S5A-C	575/1/60	35405	565	257				
BEP124HA-S6A-C	200-220/1/50	32782	565	257	BEP124HA-S6A-T	35798	BEP124HA-S6A-V	36366
BEP124HA-S9A-C	380-400/1/50	34749	565	257			BEP124HA-S9A-V	40660



2025 Refrigeration Products Price List

EFFECTIVE DATE: 31 May 2025 - SUPERCEDES: 01 MARCH 2024

BEP-LINE, EXTENDED PROFILE EVAPORATORS (cont'd)

MEDIUM TEMP - AIR DEFROST

PSC MOTORS			WEIGHT		EC MOTORS - SMARTSPEED		EC MOTORS - VARIABLE SPEED	
MODEL	VOLTAGE	\$	lbs.	kg	MODEL	\$	MODEL	\$
BEP026MA-S2A-C	208-230/1/60	12732	210	95	BEP026MA-S2A-T	13486	BEP026MA-S2A-V	13628
BEP026MA-S4A-C	460/1/60	13496	210	95			BEP026MA-S4A-V	14974
BEP026MA-S5A-C	575/1/60	13750	210	95				
BEP026MA-S6A-C	200-220/1/50	12732	210	95	BEP026MA-S6A-T	13486	BEP026MA-S6A-V	13628
BEP026MA-S9A-C	380-400/1/50	13496	210	95			BEP026MA-S9A-V	14974
BEP031MA-S2A-C	208-230/1/60	13311	220	100	BEP031MA-S2A-T	14064	BEP031MA-S2A-V	14206
BEP031MA-S4A-C	460/1/60	14109	220	100			BEP031MA-S4A-V	15587
BEP031MA-S5A-C	575/1/60	14375	220	100				
BEP031MA-S6A-C	200-220/1/50	13311	220	100	BEP031MA-S6A-T	14064	BEP031MA-S6A-V	14206
BEP031MA-S9A-C	380-400/1/50	14109	220	100			BEP031MA-S9A-V	15587
BEP038MA-S2A-C	208-230/1/60	16429	315	143	BEP038MA-S2A-T	17937	BEP038MA-S2A-V	18221
BEP038MA-S4A-C	460/1/60	17415	315	143			BEP038MA-S4A-V	20370
BEP038MA-S5A-C	575/1/60	17743	315	143				
BEP038MA-S6A-C	200-220/1/50	16429	315	143	BEP038MA-S6A-T	17937	BEP038MA-S6A-V	18221
BEP038MA-S9A-C	380-400/1/50	17415	315	143			BEP038MA-S9A-V	20370
BEP052MA-S2A-C	208-230/1/60	17956	335	152	BEP052MA-S2A-T	19464	BEP052MA-S2A-V	19748
BEP052MA-S4A-C	460/1/60	19034	335	152			BEP052MA-S4A-V	21989
BEP052MA-S5A-C	575/1/60	19393	335	152				
BEP052MA-S6A-C	200-220/1/50	17956	335	152	BEP052MA-S6A-T	19464	BEP052MA-S6A-V	19748
BEP052MA-S9A-C	380-400/1/50	19034	335	152			BEP052MA-S9A-V	21989
BEP062MA-S2A-C	208-230/1/60	20074	350	159	BEP062MA-S2A-T	21582	BEP062MA-S2A-V	21866
BEP062MA-S4A-C	460/1/60	21278	350	159			BEP062MA-S4A-V	24234
BEP062MA-S5A-C	575/1/60	21680	350	159				
BEP062MA-S6A-C	200-220/1/50	20074	350	159	BEP062MA-S6A-T	21582	BEP062MA-S6A-V	21866
BEP062MA-S9A-C	380-400/1/50	21278	350	159			BEP062MA-S9A-V	24234
BEP079MA-S2A-C	208-230/1/60	24390	455	207	BEP079MA-S2A-T	26652	BEP079MA-S2A-V	27078
BEP079MA-T3A-C	208-230/3/60	24390	455	207				
BEP079MA-S4A-C	460/1/60	25853	455	207			BEP079MA-S4A-V	30287
BEP079MA-S5A-C	575/1/60	26341	455	207				
BEP079MA-S6A-C	200-220/1/50	24390	455	207	BEP079MA-S6A-T	26652	BEP079MA-S6A-V	27078
BEP079MA-S9A-C	380-400/1/50	25853	455	207			BEP079MA-S9A-V	30287
BEP093MA-S2A-C	208-230/1/60	28636	485	220	BEP093MA-S2A-T	30898	BEP093MA-S2A-V	31324
BEP093MA-T3A-C	208-230/3/60	28636	485	220				
BEP093MA-S4A-C	460/1/60	30354	485	220			BEP093MA-S4A-V	34788
BEP093MA-S5A-C	575/1/60	30927	485	220				
BEP093MA-S6A-C	200-220/1/50	28636	485	220	BEP093MA-S6A-T	30898	BEP093MA-S6A-V	31324
BEP093MA-S9A-C	380-400/1/50	30354	485	220			BEP093MA-S9A-V	34788
BEP115MA-S2A-C	208-230/1/60	31221	600	273	BEP115MA-S2A-T	34237	BEP115MA-S2A-V	34805
BEP115MA-T3A-C	208-230/3/60	31221	600	273				
BEP115MA-S4A-C	460/1/60	33094	600	273			BEP115MA-S4A-V	39006
BEP115MA-S5A-C	575/1/60	33719	600	273				
BEP115MA-S6A-C	200-220/1/50	31221	600	273	BEP115MA-S6A-T	34237	BEP115MA-S6A-V	34805
BEP115MA-S9A-C	380-400/1/50	33094	600	273			BEP115MA-S9A-V	39006



2025 Refrigeration Products Price List

EFFECTIVE DATE: 31 May 2025 - SUPERCEDES: 01 MARCH 2024

BEP-LINE, EXTENDED PROFILE EVAPORATORS (cont'd)

MEDIUM TEMP - ELECTRIC DEFROST

PSC MOTORS			WEIGHT		EC MOTORS - SMARTSPEED		EC MOTORS - VARIABLE SPEED	
MODEL	VOLTAGE	\$	lbs.	kg	MODEL	\$	MODEL	\$
BEP026ME-S2A-C	208-230/1/60	14515	210	95	BEP026ME-S2A-T	15269	BEP026ME-S2A-V	15411
BEP026ME-S4A-C	460/1/60	15386	210	95			BEP026ME-S4A-V	16864
BEP026ME-S5A-C	575/1/60	15676	210	95				
BEP026ME-S6A-C	200-220/1/50	14515	210	95	BEP026ME-S6A-T	15269	BEP026ME-S6A-V	15411
BEP026ME-S9A-C	380-400/1/50	15386	210	95			BEP026ME-S9A-V	16864
BEP026ME-T3A-C	208-230/3/60	14515	210	95	BEP026ME-T3A-T	15269	BEP026ME-T3A-V	15411
BEP026ME-T4A-C	460/3/60	15386	210	95			BEP026ME-T4A-V	16864
BEP026ME-T5A-C	575/3/60	15676	210	95				
BEP026ME-T7A-C	200-220/3/50	14515	210	95	BEP026ME-T7A-T	15269	BEP026ME-T7A-V	15411
BEP026ME-T9A-C	380-400/3/50	15386	210	95			BEP026ME-T9A-V	16864
BEP031ME-S2A-C	208-230/1/60	15897	220	100	BEP031ME-S2A-T	16651	BEP031ME-S2A-V	16793
BEP031ME-S4A-C	460/1/60	16851	220	100			BEP031ME-S4A-V	18329
BEP031ME-S5A-C	575/1/60	17169	220	100				
BEP031ME-S6A-C	200-220/1/50	15897	220	100	BEP031ME-S6A-T	16651	BEP031ME-S6A-V	16793
BEP031ME-S9A-C	380-400/1/50	16851	220	100			BEP031ME-S9A-V	18329
BEP031ME-T3A-C	208-230/3/60	15897	220	100	BEP031ME-T3A-T	16651	BEP031ME-T3A-V	16793
BEP031ME-T4A-C	460/3/60	16851	220	100			BEP031ME-T4A-V	18329
BEP031ME-T5A-C	575/3/60	17169	220	100				
BEP031ME-T7A-C	200-220/3/50	15897	220	100	BEP031ME-T7A-T	16651	BEP031ME-T7A-V	16793
BEP031ME-T9A-C	380-400/3/50	16851	220	100			BEP031ME-T9A-V	18329
BEP038ME-S2A-C	208-230/1/60	18362	315	143	BEP038ME-S2A-T	19870	BEP038ME-S2A-V	20154
BEP038ME-S4A-C	460/1/60	19464	315	143			BEP038ME-S4A-V	22419
BEP038ME-S5A-C	575/1/60	19831	315	143				
BEP038ME-S6A-C	200-220/1/50	18362	315	143	BEP038ME-S6A-T	19870	BEP038ME-S6A-V	20154
BEP038ME-S9A-C	380-400/1/50	19464	315	143			BEP038ME-S9A-V	22419
BEP038ME-T3A-C	208-230/3/60	18362	315	143	BEP038ME-T3A-T	19870	BEP038ME-T3A-V	20154
BEP038ME-T4A-C	460/3/60	19464	315	143			BEP038ME-T4A-V	22419
BEP038ME-T5A-C	575/3/60	19831	315	143				
BEP038ME-T7A-C	200-220/3/50	18362	315	143	BEP038ME-T7A-T	19870	BEP038ME-T7A-V	20154
BEP038ME-T9A-C	380-400/3/50	19464	315	143			BEP038ME-T9A-V	22419
BEP052ME-S2A-C	208-230/1/60	21010	335	152	BEP052ME-S2A-T	22518	BEP052ME-S2A-V	22802
BEP052ME-S4A-C	460/1/60	22271	335	152			BEP052ME-S4A-V	25226
BEP052ME-S5A-C	575/1/60	22691	335	152				
BEP052ME-S6A-C	200-220/1/50	21010	335	152	BEP052ME-S6A-T	22518	BEP052ME-S6A-V	22802
BEP052ME-S9A-C	380-400/1/50	22271	335	152			BEP052ME-S9A-V	25226
BEP052ME-T3A-C	208-230/3/60	21010	335	152	BEP052ME-T3A-T	22518	BEP052ME-T3A-V	22802
BEP052ME-T4A-C	460/3/60	22271	335	152			BEP052ME-T4A-V	25226
BEP052ME-T5A-C	575/3/60	22691	335	152				
BEP052ME-T7A-C	200-220/3/50	21010	335	152	BEP052ME-T7A-T	22518	BEP052ME-T7A-V	22802
BEP052ME-T9A-C	380-400/3/50	22271	335	152			BEP052ME-T9A-V	25226
BEP062ME-S2A-C	208-230/1/60	24040	350	159	BEP062ME-S2A-T	25548	BEP062ME-S2A-V	25832
BEP062ME-S4A-C	460/1/60	25483	350	159			BEP062ME-S4A-V	28438
BEP062ME-S5A-C	575/1/60	25963	350	159				
BEP062ME-S6A-C	200-220/1/50	24040	350	159	BEP062ME-S6A-T	25548	BEP062ME-S6A-V	25832
BEP062ME-S9A-C	380-400/1/50	25483	350	159			BEP062ME-S9A-V	28438
BEP062ME-T3A-C	208-230/3/60	24040	350	159	BEP062ME-T3A-T	25548	BEP062ME-T3A-V	25832
BEP062ME-T4A-C	460/3/60	25483	350	159			BEP062ME-T4A-V	28438
BEP062ME-T5A-C	575/3/60	25963	350	159				
BEP062ME-T7A-C	200-220/3/50	24040	350	159	BEP062ME-T7A-T	25548	BEP062ME-T7A-V	25832
BEP062ME-T9A-C	380-400/3/50	25483	350	159			BEP062ME-T9A-V	28438
BEP079ME-S2A-C	208-230/1/60	31455	455	207	BEP079ME-S2A-T	33716	BEP079ME-S2A-V	34143
BEP079ME-S4A-C	460/1/60	33342	455	207			BEP079ME-S4A-V	37775
BEP079ME-S5A-C	575/1/60	33971	455	207				
BEP079ME-S6A-C	200-220/1/50	31455	455	207	BEP079ME-S6A-T	33716	BEP079ME-S6A-V	34143
BEP079ME-S9A-C	380-400/1/50	33342	455	207			BEP079ME-S9A-V	37775
BEP079ME-T3A-C	208-230/3/60	31455	455	207	BEP079ME-T3A-T	33716	BEP079ME-T3A-V	34143
BEP079ME-T4A-C	460/3/60	33342	455	207			BEP079ME-T4A-V	37775
BEP079ME-T5A-C	575/3/60	33971	455	207				
BEP079ME-T7A-C	200-220/3/50	31455	455	207	BEP079ME-T7A-T	33716	BEP079ME-T7A-V	34143
BEP079ME-T9A-C	380-400/3/50	33342	455	207			BEP079ME-T9A-V	37775

Continues on next page >>>



2025 Refrigeration Products Price List

EFFECTIVE DATE: 31 May 2025 - SUPERCEDES: 01 MARCH 2024

BEP-LINE, EXTENDED PROFILE EVAPORATORS (cont'd)

MEDIUM TEMP - ELECTRIC DEFROST (cont'd)

PSC MOTORS			WEIGHT		EC MOTORS - SMARTSPEED		EC MOTORS - VARIABLE SPEED	
MODEL	VOLTAGE	\$	lbs.	kg	MODEL	\$	MODEL	\$
BEP093ME-S2A-C	208-230/1/60	38216	485	220	BEP093ME-S2A-T	40478	BEP093ME-S2A-V	40904
BEP093ME-S4A-C	460/1/60	40509	485	220			BEP093ME-S4A-V	44942
BEP093ME-S5A-C	575/1/60	41273	485	220				
BEP093ME-S6A-C	200-220/1/50	38216	485	220	BEP093ME-S6A-T	40478	BEP093ME-S6A-V	40904
BEP093ME-S9A-C	380-400/1/50	40509	485	220			BEP093ME-S9A-V	44942
BEP093ME-T3A-C	208-230/3/60	38216	485	220	BEP093ME-T3A-T	40478	BEP093ME-T3A-V	40904
BEP093ME-T4A-C	460/3/60	40509	485	220			BEP093ME-T4A-V	44942
BEP093ME-T5A-C	575/3/60	41273	485	220				
BEP093ME-T7A-C	200-220/3/50	38216	485	220	BEP093ME-T7A-T	40478	BEP093ME-T7A-V	40904
BEP093ME-T9A-C	380-400/3/50	40509	485	220			BEP093ME-T9A-V	44942
BEP115ME-S2A-C	208-230/1/60	42489	600	273	BEP115ME-S2A-T	45504	BEP115ME-S2A-V	46073
BEP115ME-S4A-C	460/1/60	45038	600	273			BEP115ME-S4A-V	50949
BEP115ME-S5A-C	575/1/60	45888	600	273				
BEP115ME-S6A-C	200-220/1/50	42489	600	273	BEP115ME-S6A-T	45504	BEP115ME-S6A-V	46073
BEP115ME-S9A-C	380-400/1/50	45038	600	273			BEP115ME-S9A-V	50949
BEP115ME-T3A-C	208-230/3/60	42489	600	273	BEP115ME-T3A-T	45504	BEP115ME-T3A-V	46073
BEP115ME-T4A-C	460/3/60	45038	600	273			BEP115ME-T4A-V	50949
BEP115ME-T5A-C	575/3/60	45888	600	273				
BEP115ME-T7A-C	200-220/3/50	42489	600	273	BEP115ME-T7A-T	45504	BEP115ME-T7A-V	46073
BEP115ME-T9A-C	380-400/3/50	45038	600	273			BEP115ME-T9A-V	50949

LOW TEMP 6 FPI - ELECTRIC DEFROST

PSC MOTORS			WEIGHT		EC MOTORS - SMARTSPEED		EC MOTORS - VARIABLE SPEED	
MODEL	VOLTAGE	\$	lbs.	kg	MODEL	\$	MODEL	\$
BEP023LE-S2A-C	208-230/1/60	14515	215	98	BEP023LE-S2A-T	15269	BEP023LE-S2A-V	15411
BEP023LE-S4A-C	460/1/60	15386	215	98			BEP023LE-S4A-V	16864
BEP023LE-S5A-C	575/1/60	15676	215	98				
BEP023LE-S6A-C	200-220/1/50	14515	215	98	BEP023LE-S6A-T	15269	BEP023LE-S6A-V	15411
BEP023LE-S9A-C	380-400/1/50	15386	215	98			BEP023LE-S9A-V	16864
BEP023LE-T3A-C	208-230/3/60	14515	215	98	BEP023LE-T3A-T	15269	BEP023LE-T3A-V	15411
BEP023LE-T4A-C	460/3/60	15386	215	98			BEP023LE-T4A-V	16864
BEP023LE-T5A-C	575/3/60	15676	215	98				
BEP023LE-T7A-C	200-220/3/50	14515	215	98	BEP023LE-T7A-T	15269	BEP023LE-T7A-V	15411
BEP023LE-T9A-C	380-400/3/50	15386	215	98			BEP023LE-T9A-V	16864
BEP028LE-S2A-C	208-230/1/60	15897	220	100	BEP028LE-S2A-T	16651	BEP028LE-S2A-V	16793
BEP028LE-S4A-C	460/1/60	16851	220	100			BEP028LE-S4A-V	18329
BEP028LE-S5A-C	575/1/60	17169	220	100				
BEP028LE-S6A-C	200-220/1/50	15897	220	100	BEP028LE-S6A-T	16651	BEP028LE-S6A-V	16793
BEP028LE-S9A-C	380-400/1/50	16851	220	100			BEP028LE-S9A-V	18329
BEP028LE-T3A-C	208-230/3/60	15897	220	100	BEP028LE-T3A-T	16651	BEP028LE-T3A-V	16793
BEP028LE-T4A-C	460/3/60	16851	220	100			BEP028LE-T4A-V	18329
BEP028LE-T5A-C	575/3/60	17169	220	100				
BEP028LE-T7A-C	200-220/3/50	15897	220	100	BEP028LE-T7A-T	16651	BEP028LE-T7A-V	16793
BEP028LE-T9A-C	380-400/3/50	16851	220	100			BEP028LE-T9A-V	18329
BEP035LE-S2A-C	208-230/1/60	18362	315	143	BEP035LE-S2A-T	19870	BEP035LE-S2A-V	20154
BEP035LE-S4A-C	460/1/60	19464	315	143			BEP035LE-S4A-V	22419
BEP035LE-S5A-C	575/1/60	19831	315	143				
BEP035LE-S6A-C	200-220/1/50	18362	315	143	BEP035LE-S6A-T	19870	BEP035LE-S6A-V	20154
BEP035LE-S9A-C	380-400/1/50	19464	315	143			BEP035LE-S9A-V	22419
BEP035LE-T3A-C	208-230/3/60	18362	315	143	BEP035LE-T3A-T	19870	BEP035LE-T3A-V	20154
BEP035LE-T4A-C	460/3/60	19464	315	143			BEP035LE-T4A-V	22419
BEP035LE-T5A-C	575/3/60	19831	315	143				
BEP035LE-T7A-C	200-220/3/50	18362	315	143	BEP035LE-T7A-T	19870	BEP035LE-T7A-V	20154
BEP035LE-T9A-C	380-400/3/50	19464	315	143			BEP035LE-T9A-V	22419

Continues on next page >>>



2025 Refrigeration Products Price List

EFFECTIVE DATE: 31 May 2025 - SUPERCEDES: 01 MARCH 2024

BEP-LINE, EXTENDED PROFILE EVAPORATORS (cont'd)

LOW TEMP 6 FPI - ELECTRIC DEFROST (cont'd)

PSC MOTORS			WEIGHT		EC MOTORS - SMARTSPEED		EC MOTORS - VARIABLE SPEED	
MODEL	VOLTAGE	\$	lbs.	kg	MODEL	\$	MODEL	\$
BEP047LE-S2A-C	208-230/1/60	21010	335	152	BEP047LE-S2A-T	22518	BEP047LE-S2A-V	22802
BEP047LE-S4A-C	460/1/60	22271	335	152			BEP047LE-S4A-V	25226
BEP047LE-S5A-C	575/1/60	22691	335	152				
BEP047LE-S6A-C	200-220/1/50	21010	335	152	BEP047LE-S6A-T	22518	BEP047LE-S6A-V	22802
BEP047LE-S9A-C	380-400/1/50	22271	335	152			BEP047LE-S9A-V	25226
BEP047LE-T3A-C	208-230/3/60	21010	335	152	BEP047LE-T3A-T	22518	BEP047LE-T3A-V	22802
BEP047LE-T4A-C	460/3/60	22271	335	152			BEP047LE-T4A-V	25226
BEP047LE-T5A-C	575/3/60	22691	335	152				
BEP047LE-T7A-C	200-220/3/50	21010	335	152	BEP047LE-T7A-T	22518	BEP047LE-T7A-V	22802
BEP047LE-T9A-C	380-400/3/50	22271	335	152			BEP047LE-T9A-V	25226
BEP056LE-S2A-C	208-230/1/60	24040	355	161	BEP056LE-S2A-T	25548	BEP056LE-S2A-V	25832
BEP056LE-S4A-C	460/1/60	25483	355	161			BEP056LE-S4A-V	28438
BEP056LE-S5A-C	575/1/60	25963	355	161				
BEP056LE-S6A-C	200-220/1/50	24040	355	161	BEP056LE-S6A-T	25548	BEP056LE-S6A-V	25832
BEP056LE-S9A-C	380-400/1/50	25483	355	161			BEP056LE-S9A-V	28438
BEP056LE-T3A-C	208-230/3/60	24040	355	161	BEP056LE-T3A-T	25548	BEP056LE-T3A-V	25832
BEP056LE-T4A-C	460/3/60	25483	355	161			BEP056LE-T4A-V	28438
BEP056LE-T5A-C	575/3/60	25963	355	161				
BEP056LE-T7A-C	200-220/3/50	24040	355	161	BEP056LE-T7A-T	25548	BEP056LE-T7A-V	25832
BEP056LE-T9A-C	380-400/3/50	25483	355	161			BEP056LE-T9A-V	28438
BEP070LE-S2A-C	208-230/1/60	31455	460	209	BEP070LE-S2A-T	33716	BEP070LE-S2A-V	34143
BEP070LE-S4A-C	460/1/60	33342	460	209			BEP070LE-S4A-V	37775
BEP070LE-S5A-C	575/1/60	33971	460	209				
BEP070LE-S6A-C	200-220/1/50	31455	460	209	BEP070LE-S6A-T	33716	BEP070LE-S6A-V	34143
BEP070LE-S9A-C	380-400/1/50	33342	460	209			BEP070LE-S9A-V	37775
BEP070LE-T3A-C	208-230/3/60	31455	460	209	BEP070LE-T3A-T	33716	BEP070LE-T3A-V	34143
BEP070LE-T4A-C	460/3/60	33342	460	209			BEP070LE-T4A-V	37775
BEP070LE-T5A-C	575/3/60	33971	460	209				
BEP070LE-T7A-C	200-220/3/50	31455	460	209	BEP070LE-T7A-T	33716	BEP070LE-T7A-V	34143
BEP070LE-T9A-C	380-400/3/50	33342	460	209			BEP070LE-T9A-V	37775
BEP084LE-S2A-C	208-230/1/60	38216	490	223	BEP084LE-S2A-T	40478	BEP084LE-S2A-V	40904
BEP084LE-S4A-C	460/1/60	40509	490	223			BEP084LE-S4A-V	44942
BEP084LE-S5A-C	575/1/60	41273	490	223				
BEP084LE-S6A-C	200-220/1/50	38216	490	223	BEP084LE-S6A-T	40478	BEP084LE-S6A-V	40904
BEP084LE-S9A-C	380-400/1/50	40509	490	223			BEP084LE-S9A-V	44942
BEP084LE-T3A-C	208-230/3/60	38216	490	223	BEP084LE-T3A-T	40478	BEP084LE-T3A-V	40904
BEP084LE-T4A-C	460/3/60	40509	490	223			BEP084LE-T4A-V	44942
BEP084LE-T5A-C	575/3/60	41273	490	223				
BEP084LE-T7A-C	200-220/3/50	38216	490	223	BEP084LE-T7A-T	40478	BEP084LE-T7A-V	40904
BEP084LE-T9A-C	380-400/3/50	40509	490	223			BEP084LE-T9A-V	44942
BEP100LE-S2A-C	208-230/1/60	42489	575	261	BEP100LE-S2A-T	45504	BEP100LE-S2A-V	46073
BEP100LE-S4A-C	460/1/60	45038	575	261			BEP100LE-S4A-V	50949
BEP100LE-S5A-C	575/1/60	45888	575	261				
BEP100LE-S6A-C	200-220/1/50	42489	575	261	BEP100LE-S6A-T	45504	BEP100LE-S6A-V	46073
BEP100LE-S9A-C	380-400/1/50	45038	575	261			BEP100LE-S9A-V	50949
BEP100LE-T3A-C	208-230/3/60	42489	575	261	BEP100LE-T3A-T	45504	BEP100LE-T3A-V	46073
BEP100LE-T4A-C	460/3/60	45038	575	261			BEP100LE-T4A-V	50949
BEP100LE-T5A-C	575/3/60	45888	575	261				
BEP100LE-T7A-C	200-220/3/50	42489	575	261	BEP100LE-T7A-T	45504	BEP100LE-T7A-V	46073
BEP100LE-T9A-C	380-400/3/50	45038	575	261			BEP100LE-T9A-V	50949



2025 Refrigeration Products Price List

EFFECTIVE DATE: 31 May 2025 - SUPERCEDES: 01 MARCH 2024

BEP-LINE, EXTENDED PROFILE EVAPORATORS (cont'd)

LOW TEMP 4 FPI - ELECTRIC DEFROST

PSC MOTORS			WEIGHT		EC MOTORS - SMARTSPEED		EC MOTORS - VARIABLE SPEED	
MODEL	VOLTAGE	\$	lbs.	kg	MODEL	\$	MODEL	\$
BEP020VE-S2A-C	208-230/1/60	15291	210	95	BEP020VE-S2A-T	16045	BEP020VE-S2A-V	16187
BEP020VE-S4A-C	460/1/60	16208	210	95			BEP020VE-S4A-V	17686
BEP020VE-S5A-C	575/1/60	16514	210	95				
BEP020VE-S6A-C	200-220/1/50	15291	210	95	BEP020VE-S6A-T	16045	BEP020VE-S6A-V	16187
BEP020VE-S9A-C	380-400/1/50	16208	210	95			BEP020VE-S9A-V	17686
BEP020VE-T3A-C	208-230/3/60	15291	210	95	BEP020VE-T3A-T	16045	BEP020VE-T3A-V	16187
BEP020VE-T4A-C	460/3/60	16208	210	95			BEP020VE-T4A-V	17686
BEP020VE-T5A-C	575/3/60	16514	210	95				
BEP020VE-T7A-C	200-220/3/50	15291	210	95	BEP020VE-T7A-T	16045	BEP020VE-T7A-V	16187
BEP020VE-T9A-C	380-400/3/50	16208	210	95			BEP020VE-T9A-V	17686
BEP024VE-S2A-C	208-230/1/60	16852	215	98	BEP024VE-S2A-T	17605	BEP024VE-S2A-V	17747
BEP024VE-S4A-C	460/1/60	17863	215	98			BEP024VE-S4A-V	19340
BEP024VE-S5A-C	575/1/60	18200	215	98				
BEP024VE-S6A-C	200-220/1/50	16852	215	98	BEP024VE-S6A-T	17605	BEP024VE-S6A-V	17747
BEP024VE-S9A-C	380-400/1/50	17863	215	98			BEP024VE-S9A-V	19340
BEP024VE-T3A-C	208-230/3/60	16852	215	98	BEP024VE-T3A-T	17605	BEP024VE-T3A-V	17747
BEP024VE-T4A-C	460/3/60	17863	215	98			BEP024VE-T4A-V	19340
BEP024VE-T5A-C	575/3/60	18200	215	98				
BEP024VE-T7A-C	200-220/3/50	16852	215	98	BEP024VE-T7A-T	17605	BEP024VE-T7A-V	17747
BEP024VE-T9A-C	380-400/3/50	17863	215	98			BEP024VE-T9A-V	19340
BEP030VE-S2A-C	208-230/1/60	18019	310	141	BEP030VE-S2A-T	19526	BEP030VE-S2A-V	19811
BEP030VE-S4A-C	460/1/60	19100	310	141			BEP030VE-S4A-V	22055
BEP030VE-S5A-C	575/1/60	19460	310	141				
BEP030VE-S6A-C	200-220/1/50	18019	310	141	BEP030VE-S6A-T	19526	BEP030VE-S6A-V	19811
BEP030VE-S9A-C	380-400/1/50	19100	310	141			BEP030VE-S9A-V	22055
BEP030VE-T3A-C	208-230/3/60	18019	310	141	BEP030VE-T3A-T	19526	BEP030VE-T3A-V	19811
BEP030VE-T4A-C	460/3/60	19100	310	141			BEP030VE-T4A-V	22055
BEP030VE-T5A-C	575/3/60	19460	310	141				
BEP030VE-T7A-C	200-220/3/50	18019	310	141	BEP030VE-T7A-T	19526	BEP030VE-T7A-V	19811
BEP030VE-T9A-C	380-400/3/50	19100	310	141			BEP030VE-T9A-V	22055
BEP040VE-S2A-C	208-230/1/60	19575	325	148	BEP040VE-S2A-T	21083	BEP040VE-S2A-V	21367
BEP040VE-S4A-C	460/1/60	20750	325	148			BEP040VE-S4A-V	23705
BEP040VE-S5A-C	575/1/60	21141	325	148				
BEP040VE-S6A-C	200-220/1/50	19575	325	148	BEP040VE-S6A-T	21083	BEP040VE-S6A-V	21367
BEP040VE-S9A-C	380-400/1/50	20750	325	148			BEP040VE-S9A-V	23705
BEP040VE-T3A-C	208-230/3/60	19575	325	148	BEP040VE-T3A-T	21083	BEP040VE-T3A-V	21367
BEP040VE-T4A-C	460/3/60	20750	325	148			BEP040VE-T4A-V	23705
BEP040VE-T5A-C	575/3/60	21141	325	148				
BEP040VE-T7A-C	200-220/3/50	19575	325	148	BEP040VE-T7A-T	21083	BEP040VE-T7A-V	21367
BEP040VE-T9A-C	380-400/3/50	20750	325	148			BEP040VE-T9A-V	23705
BEP048VE-S2A-C	208-230/1/60	23826	340	155	BEP048VE-S2A-T	25334	BEP048VE-S2A-V	25618
BEP048VE-S4A-C	460/1/60	25256	340	155			BEP048VE-S4A-V	28211
BEP048VE-S5A-C	575/1/60	25732	340	155				
BEP048VE-S6A-C	200-220/1/50	23826	340	155	BEP048VE-S6A-T	25334	BEP048VE-S6A-V	25618
BEP048VE-S9A-C	380-400/1/50	25256	340	155			BEP048VE-S9A-V	28211
BEP048VE-T3A-C	208-230/3/60	23826	340	155	BEP048VE-T3A-T	25334	BEP048VE-T3A-V	25618
BEP048VE-T4A-C	460/3/60	25256	340	155			BEP048VE-T4A-V	28211
BEP048VE-T5A-C	575/3/60	25732	340	155				
BEP048VE-T7A-C	200-220/3/50	23826	340	155	BEP048VE-T7A-T	25334	BEP048VE-T7A-V	25618
BEP048VE-T9A-C	380-400/3/50	25256	340	155			BEP048VE-T9A-V	28211

Continues on next page >>>



2025 Refrigeration Products Price List

EFFECTIVE DATE: 31 May 2025 - SUPERCEDES: 01 MARCH 2024

BEP-LINE, EXTENDED PROFILE EVAPORATORS (cont'd)

LOW TEMP 4 FPI - ELECTRIC DEFROST (cont'd)

PSC MOTORS			WEIGHT		EC MOTORS - SMARTSPEED [®]		EC MOTORS - VARIABLE SPEED	
MODEL	VOLTAGE	\$	lbs.	kg	MODEL	\$	MODEL	\$
BEP060VE-S2A-C	208-230/1/60	28777	450	205	BEP060VE-S2A-T	31039	BEP060VE-S2A-V	31465
BEP060VE-S4A-C	460/1/60	30504	450	205			BEP060VE-S4A-V	34937
BEP060VE-S5A-C	575/1/60	31080	450	205				
BEP060VE-S6A-C	200-220/1/50	28777	450	205	BEP060VE-S6A-T	31039	BEP060VE-S6A-V	31465
BEP060VE-S9A-C	380-400/1/50	30504	450	205			BEP060VE-S9A-V	34937
BEP060VE-T3A-C	208-230/3/60	28777	450	205	BEP060VE-T3A-T	31039	BEP060VE-T3A-V	31465
BEP060VE-T4A-C	460/3/60	30504	450	205			BEP060VE-T4A-V	34937
BEP060VE-T5A-C	575/3/60	31080	450	205				
BEP060VE-T7A-C	200-220/3/50	28777	450	205	BEP060VE-T7A-T	31039	BEP060VE-T7A-V	31465
BEP060VE-T9A-C	380-400/3/50	30504	450	205			BEP060VE-T9A-V	34937
BEP072VE-S2A-C	208-230/1/60	31455	470	214	BEP072VE-S2A-T	33716	BEP072VE-S2A-V	34143
BEP072VE-S4A-C	460/1/60	33342	470	214			BEP072VE-S4A-V	37775
BEP072VE-S5A-C	575/1/60	33971	470	214				
BEP072VE-S6A-C	200-220/1/50	31455	470	214	BEP072VE-S6A-T	33716	BEP072VE-S6A-V	34143
BEP072VE-S9A-C	380-400/1/50	33342	470	214			BEP072VE-S9A-V	37775
BEP072VE-T3A-C	208-230/3/60	31455	470	214	BEP072VE-T3A-T	33716	BEP072VE-T3A-V	34143
BEP072VE-T4A-C	460/3/60	33342	470	214			BEP072VE-T4A-V	37775
BEP072VE-T5A-C	575/3/60	33971	470	214				
BEP072VE-T7A-C	200-220/3/50	31455	470	214	BEP072VE-T7A-T	33716	BEP072VE-T7A-V	34143
BEP072VE-T9A-C	380-400/3/50	33342	470	214			BEP072VE-T9A-V	37775
BEP088VE-S2A-C	208-230/1/60	42016	555	252	BEP088VE-S2A-T	45031	BEP088VE-S2A-V	45600
BEP088VE-S4A-C	460/1/60	44537	555	252			BEP088VE-S4A-V	50448
BEP088VE-S5A-C	575/1/60	45377	555	252				
BEP088VE-S6A-C	200-220/1/50	42016	555	252	BEP088VE-S6A-T	45031	BEP088VE-S6A-V	45600
BEP088VE-S9A-C	380-400/1/50	44537	555	252			BEP088VE-S9A-V	50448
BEP088VE-T3A-C	208-230/3/60	42016	555	252	BEP088VE-T3A-T	45031	BEP088VE-T3A-V	45600
BEP088VE-T4A-C	460/3/60	44537	555	252			BEP088VE-T4A-V	50448
BEP088VE-T5A-C	575/3/60	45377	555	252				
BEP088VE-T7A-C	200-220/3/50	42016	555	252	BEP088VE-T7A-T	45031	BEP088VE-T7A-V	45600
BEP088VE-T9A-C	380-400/3/50	40437	555	252			BEP088VE-T9A-V	50448



2025 Refrigeration Products Price List

EFFECTIVE DATE: 31 May 2025 - SUPERCEDES: 01 MARCH 2024

BEP-LINE, EXTENDED PROFILE EVAPORATORS (cont'd)

MEDIUM TEMP - HOT GAS DEFROST

^ Insert appropriate code for hot gas defrost type

PSC MOTORS			WEIGHT		EC MOTORS - SMARTSPEED		EC MOTORS - VARIABLE SPEED	
MODEL	VOLTAGE	\$	lbs.	kg	MODEL	\$	MODEL	\$
BEP026M^S2A-C	208-230/1/60	14515	205	93	BEP026MG-S2A-T	15269	BEP026MG-S2A-V	15411
BEP026M^S4A-C	460/1/60	15386	205	93			BEP026MG-S4A-V	16864
BEP026M^S5A-C	575/1/60	15676	205	93				
BEP026M^S6A-C	200-220/1/50	14515	205	93	BEP026MG-S6A-T	15269	BEP026MG-S6A-V	15411
BEP026M^S9A-C	380-400/1/50	15386	205	93			BEP026MG-S9A-V	16864
BEP031M^S2A-C	208-230/1/60	15897	215	98	BEP031MG-S2A-T	16651	BEP031MG-S2A-V	16793
BEP031M^S4A-C	460/1/60	16851	215	98			BEP031MG-S4A-V	18329
BEP031M^S5A-C	575/1/60	17169	215	98				
BEP031M^S6A-C	200-220/1/50	15897	215	98	BEP031MG-S6A-T	16651	BEP031MG-S6A-V	16793
BEP031M^S9A-C	380-400/1/50	16851	215	98			BEP031MG-S9A-V	18329
BEP038M^S2A-C	208-230/1/60	18362	295	134	BEP038MG-S2A-T	19870	BEP038MG-S2A-V	20154
BEP038M^S4A-C	460/1/60	19464	295	134			BEP038MG-S4A-V	22419
BEP038M^S5A-C	575/1/60	19831	295	134				
BEP038M^S6A-C	200-220/1/50	18362	295	134	BEP038MG-S6A-T	19870	BEP038MG-S6A-V	20154
BEP038M^S9A-C	380-400/1/50	19464	295	134			BEP038MG-S9A-V	22419
BEP052M^S2A-C	208-230/1/60	21010	315	143	BEP052MG-S2A-T	22518	BEP052MG-S2A-V	22802
BEP052M^S4A-C	460/1/60	22271	315	143			BEP052MG-S4A-V	25226
BEP052M^S5A-C	575/1/60	22691	315	143				
BEP052M^S6A-C	200-220/1/50	21010	315	143	BEP052MG-S6A-T	22518	BEP052MG-S6A-V	22802
BEP052M^S9A-C	380-400/1/50	22271	315	143			BEP052MG-S9A-V	25226
BEP062M^S2A-C	208-230/1/60	24040	335	152	BEP062MG-S2A-T	25548	BEP062MG-S2A-V	25832
BEP062M^S4A-C	460/1/60	25483	335	152			BEP062MG-S4A-V	28438
BEP062M^S5A-C	575/1/60	25963	335	152				
BEP062M^S6A-C	200-220/1/50	24040	335	152	BEP062MG-S6A-T	25548	BEP062MG-S6A-V	25832
BEP062M^S9A-C	380-400/1/50	25483	335	152			BEP062MG-S9A-V	28438
BEP079M^S2A-C	208-230/1/60	31455	430	195	BEP079MG-S2A-T	33716	BEP079MG-S2A-V	34143
BEP079M^S4A-C	460/1/60	33342	430	195			BEP079MG-S4A-V	37775
BEP079M^S5A-C	575/1/60	33971	430	195				
BEP079M^S6A-C	200-220/1/50	31455	430	195	BEP079MG-S6A-T	33716	BEP079MG-S6A-V	34143
BEP079M^S9A-C	380-400/1/50	33342	430	195			BEP079MG-S9A-V	37775
BEP093M^S2A-C	208-230/1/60	38216	460	209	BEP093MG-S2A-T	40478	BEP093MG-S2A-V	40904
BEP093M^S4A-C	460/1/60	40509	460	209			BEP093MG-S4A-V	44942
BEP093M^S5A-C	575/1/60	41273	460	209				
BEP093M^S6A-C	200-220/1/50	38216	460	209	BEP093MG-S6A-T	40478	BEP093MG-S6A-V	40904
BEP093M^S9A-C	380-400/1/50	40509	460	209			BEP093MG-S9A-V	44942
BEP115M^S2A-C	208-230/1/60	42489	545	248	BEP115MG-S2A-T	45504	BEP115MG-S2A-V	46073
BEP115M^S4A-C	460/1/60	45038	545	248			BEP115MG-S4A-V	50949
BEP115M^S5A-C	575/1/60	45888	545	248				
BEP115M^S6A-C	200-220/1/50	42489	545	248	BEP115MG-S6A-T	45504	BEP115MG-S6A-V	46073
BEP115M^S9A-C	380-400/1/50	45038	545	248			BEP115MG-S9A-V	50949

NOTES:

- Fixed defrost termination is a standard feature. Optional adjustable defrost termination available.
- Electric heater in drain pan is standard. OPTIONAL HOT GAS LOOP IN DRAIN PAN:
1 FAN = \$3888, 2 FAN = \$4272, 3 FAN = \$4148, 4 FAN = \$4396
- For approx. shipping weights for hot gas loop in drain pan models refer to installation bulletin B30-BEPD-PDI
- All hot gas evaps include TXV bypass check valve shipped loose.



2025 Refrigeration Products Price List

EFFECTIVE DATE: 31 May 2025 - SUPERCEDES: 01 MARCH 2024

BEP-LINE, EXTENDED PROFILE EVAPORATORS (cont'd)

LOW TEMP 6 FPI - HOT GAS DEFROST

^ Insert appropriate code for hot gas defrost type

PSC MOTORS			WEIGHT		EC MOTORS - SMARTSPEED		EC MOTORS - VARIABLE SPEED	
MODEL	VOLTAGE	\$	lbs.	kg	MODEL	\$	MODEL	\$
BEP023L^S2A-C	208-230/1/60	14515	205	93	BEP023LG-S2A-T	15269	BEP023LG-S2A-V	15411
BEP023L^S4A-C	460/1/60	15386	205	93			BEP023LG-S4A-V	16864
BEP023L^S5A-C	575/1/60	15676	205	93				
BEP023L^S6A-C	200-220/1/50	14515	205	93	BEP023LG-S6A-T	15269	BEP023LG-S6A-V	15411
BEP023L^S9A-C	380-400/1/50	15386	205	93			BEP023LG-S9A-V	16864
BEP028L^S2A-C	208-230/1/60	15897	215	98	BEP028LG-S2A-T	16651	BEP028LG-S2A-V	16793
BEP028L^S4A-C	460/1/60	16851	215	98			BEP028LG-S4A-V	18329
BEP028L^S5A-C	575/1/60	17169	215	98				
BEP028L^S6A-C	200-220/1/50	15897	215	98	BEP028LG-S6A-T	16651	BEP028LG-S6A-V	16793
BEP028L^S9A-C	380-400/1/50	16851	215	98			BEP028LG-S9A-V	18329
BEP035L^S2A-C	208-230/1/60	18362	300	136	BEP035LG-S2A-T	19870	BEP035LG-S2A-V	20154
BEP035L^S4A-C	460/1/60	19464	300	136			BEP035LG-S4A-V	22419
BEP035L^S5A-C	575/1/60	19831	300	136				
BEP035L^S6A-C	200-220/1/50	18362	300	136	BEP035LG-S6A-T	19870	BEP035LG-S6A-V	20154
BEP035L^S9A-C	380-400/1/50	19464	300	136			BEP035LG-S9A-V	22419
BEP047L^S2A-C	208-230/1/60	21010	320	145	BEP047LG-S2A-T	22518	BEP047LG-S2A-V	22802
BEP047L^S4A-C	460/1/60	22271	320	145			BEP047LG-S4A-V	25226
BEP047L^S5A-C	575/1/60	22691	320	145				
BEP047L^S6A-C	200-220/1/50	21010	320	145	BEP047LG-S6A-T	22518	BEP047LG-S6A-V	22802
BEP047L^S9A-C	380-400/1/50	22271	320	145			BEP047LG-S9A-V	25226
BEP056L^S2A-C	208-230/1/60	24040	340	155	BEP056LG-S2A-T	25548	BEP056LG-S2A-V	25832
BEP056L^S4A-C	460/1/60	25483	340	155			BEP056LG-S4A-V	28438
BEP056L^S5A-C	575/1/60	25963	340	155				
BEP056L^S6A-C	200-220/1/50	24040	340	155	BEP056LG-S6A-T	25548	BEP056LG-S6A-V	25832
BEP056L^S9A-C	380-400/1/50	25483	340	155			BEP056LG-S9A-V	28438
BEP070L^S2A-C	208-230/1/60	31455	435	198	BEP070LG-S2A-T	33716	BEP070LG-S2A-V	34143
BEP070L^S4A-C	460/1/60	33342	435	198			BEP070LG-S4A-V	37775
BEP070L^S5A-C	575/1/60	33971	435	198				
BEP070L^S6A-C	200-220/1/50	31455	435	198	BEP070LG-S6A-T	33716	BEP070LG-S6A-V	34143
BEP070L^S9A-C	380-400/1/50	33342	435	198			BEP070LG-S9A-V	37775
BEP084L^S2A-C	208-230/1/60	38216	470	214	BEP084LG-S2A-T	40478	BEP084LG-S2A-V	40904
BEP084L^S4A-C	460/1/60	40509	470	214			BEP084LG-S4A-V	44942
BEP084L^S5A-C	575/1/60	41273	470	214				
BEP084L^S6A-C	200-220/1/50	38216	470	214	BEP084LG-S6A-T	40478	BEP084LG-S6A-V	40904
BEP084L^S9A-C	380-400/1/50	40509	470	214			BEP084LG-S9A-V	44942
BEP100L^S2A-C	208-230/1/60	42489	550	250	BEP100LG-S2A-T	45504	BEP100LG-S2A-V	46073
BEP100L^S4A-C	460/1/60	45038	550	250			BEP100LG-S4A-V	50949
BEP100L^S5A-C	575/1/60	45888	550	250				
BEP100L^S6A-C	200-220/1/50	42489	550	250	BEP100LG-S6A-T	45504	BEP100LG-S6A-V	46073
BEP100L^S9A-C	380-400/1/50	45038	550	250			BEP100LG-S9A-V	50949

NOTES:

- Fixed defrost termination is a standard feature. Optional adjustable defrost termination available.
- Electric heater in drain pan is standard. OPTIONAL HOT GAS LOOP IN DRAIN PAN:
1 FAN = \$3888, 2 FAN = \$4272, 3 FAN = \$4148, 4 FAN = \$4396
- For approx. shipping weights for hot gas loop in drain pan models refer to installation bulletin B30-BEPD-PDI
- All hot gas evaps include TXV bypass check valve shipped loose.



2025 Refrigeration Products Price List

EFFECTIVE DATE: 31 May 2025 - SUPERCEDES: 01 MARCH 2024

BEP-LINE, EXTENDED PROFILE EVAPORATORS (cont'd)

LOW TEMP 4 FPI - HOT GAS DEFROST

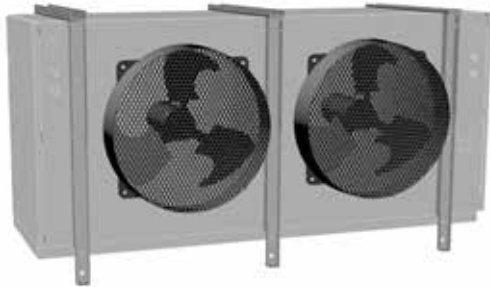
^ Insert appropriate code for hot gas defrost type

PSC MOTORS			WEIGHT		EC MOTORS - SMARTSPEED		EC MOTORS - VARIABLE SPEED	
MODEL	VOLTAGE	\$	lbs.	kg	MODEL	\$	MODEL	\$
BEP020V^S2A-C	208-230/1/60	15291	200	91	BEP020VG-S2A-T	16045	BEP020VG-S2A-V	16187
BEP020V^S4A-C	460/1/60	16208	200	91			BEP020VG-S4A-V	17686
BEP020V^S5A-C	575/1/60	16514	200	91				
BEP020V^S6A-C	200-220/1/50	15291	200	91	BEP020VG-S6A-T	16045	BEP020VG-S6A-V	16187
BEP020V^S9A-C	380-400/1/50	16208	200	91			BEP020VG-S9A-V	17686
BEP024V^S2A-C	208-230/1/60	16852	210	95	BEP024VG-S2A-T	17605	BEP024VG-S2A-V	17747
BEP024V^S4A-C	460/1/60	17863	210	95			BEP024VG-S4A-V	19340
BEP024V^S5A-C	575/1/60	18200	210	95				
BEP024V^S6A-C	200-220/1/50	16852	210	95	BEP024VG-S6A-T	17605	BEP024VG-S6A-V	17747
BEP024V^S9A-C	380-400/1/50	17863	210	95			BEP024VG-S9A-V	19340
BEP030V^S2A-C	208-230/1/60	18019	395	180	BEP030VG-S2A-T	19526	BEP030VG-S2A-V	19811
BEP030V^S4A-C	460/1/60	19100	395	180			BEP030VG-S4A-V	22055
BEP030V^S5A-C	575/1/60	19460	395	180				
BEP030V^S6A-C	200-220/1/50	18019	395	180	BEP030VG-S6A-T	19526	BEP030VG-S6A-V	19811
BEP030V^S9A-C	380-400/1/50	19100	395	180			BEP030VG-S9A-V	22055
BEP040V^S2A-C	208-230/1/60	19575	310	141	BEP040VG-S2A-T	21083	BEP040VG-S2A-V	21367
BEP040V^S4A-C	460/1/60	20750	310	141			BEP040VG-S4A-V	23705
BEP040V^S5A-C	575/1/60	21141	310	141				
BEP040V^S6A-C	200-220/1/50	19575	310	141	BEP040VG-S6A-T	21083	BEP040VG-S6A-V	21367
BEP040V^S9A-C	380-400/1/50	20750	310	141			BEP040VG-S9A-V	23705
BEP048V^S2A-C	208-230/1/60	23826	330	150	BEP048VG-S2A-T	25334	BEP048VG-S2A-V	25618
BEP048V^S4A-C	460/1/60	25256	330	150			BEP048VG-S4A-V	28211
BEP048V^S5A-C	575/1/60	25732	330	150				
BEP048V^S6A-C	200-220/1/50	23826	330	150	BEP048VG-S6A-T	25334	BEP048VG-S6A-V	25618
BEP048V^S9A-C	380-400/1/50	25256	330	150			BEP048VG-S9A-V	28211
BEP060V^S2A-C	208-230/1/60	28777	430	195	BEP060VG-S2A-T	31039	BEP060VG-S2A-V	31465
BEP060V^S4A-C	460/1/60	30504	430	195			BEP060VG-S4A-V	34937
BEP060V^S5A-C	575/1/60	31080	430	195				
BEP060V^S6A-C	200-220/1/50	28777	430	195	BEP060VG-S6A-T	31039	BEP060VG-S6A-V	31465
BEP060V^S9A-C	380-400/1/50	30504	430	195			BEP060VG-S9A-V	34937
BEP072V^S2A-C	208-230/1/60	31455	450	205	BEP072VG-S2A-T	33716	BEP072VG-S2A-V	34143
BEP072V^S4A-C	460/1/60	33342	450	205			BEP072VG-S4A-V	37775
BEP072V^S5A-C	575/1/60	33971	450	205				
BEP072V^S6A-C	200-220/1/50	31455	450	205	BEP072VG-S6A-T	33716	BEP072VG-S6A-V	34143
BEP072V^S9A-C	380-400/1/50	33342	450	205			BEP072VG-S9A-V	37775
BEP088V^S2A-C	208-230/1/60	42016	530	241	BEP088VG-S2A-T	45031	BEP088VG-S2A-V	45600
BEP088V^S4A-C	460/1/60	44537	530	241			BEP088VG-S4A-V	50448
BEP088V^S5A-C	575/1/60	45377	530	241				
BEP088V^S6A-C	200-220/1/50	42016	530	241	BEP088VG-S6A-T	45031	BEP088VG-S6A-V	45600
BEP088V^S9A-C	380-400/1/50	44537	530	241			BEP088VG-S9A-V	50448

NOTES:

- Fixed defrost termination is a standard feature. Optional adjustable defrost termination available.
- Electric heater in drain pan is standard. OPTIONAL HOT GAS LOOP IN DRAIN PAN:
1 FAN = \$3888, 2 FAN = \$4272, 3 FAN = \$4148, 4 FAN = \$4396
- For approx. shipping weights for hot gas loop in drain pan models refer to installation bulletin B30-BEPD-PDI
- All hot gas evaps include TXV bypass check valve shipped loose.

BHP-LINE, HIGH PROFILE EVAPORATORS

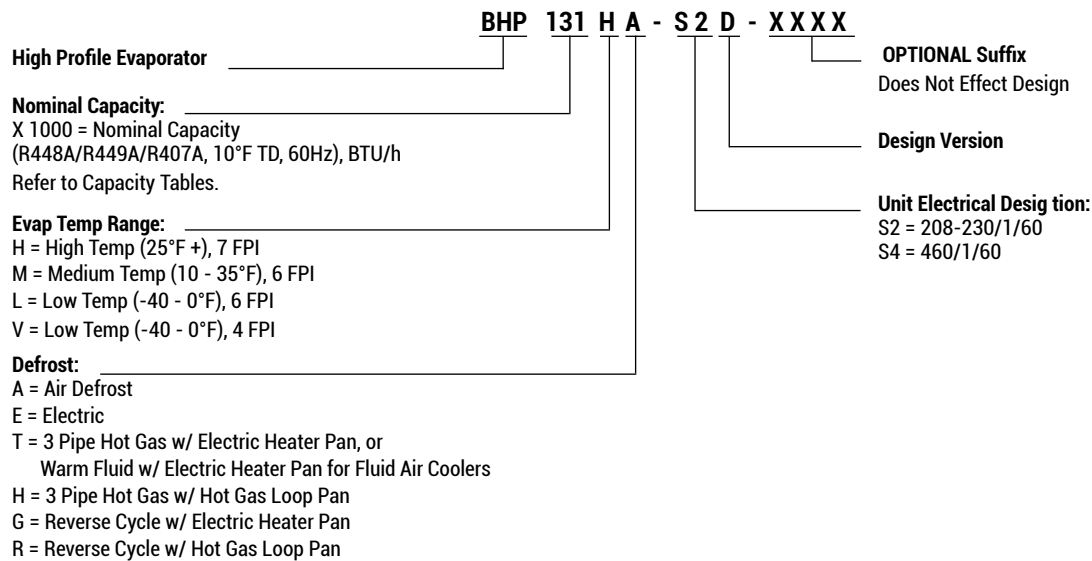


web: www.b-rp.ca/BHP
 email: evaps@b-rp.ca
 call: 1-844-893-3222 x520

SMARTVAP

INTUITIVE EVAPORATOR CONTROL TECHNOLOGY

NOMENCLATURE



STANDARD FEATURES

- EC motors with patented SmartSpeed® Technology.
- Compatible with Low GWP Refrigerants
- Totally enclosed high efficiency EC motors
- High efficiency and high strength fan guard
- Hinged access panels
- Inter lly enhanced tubing
- Ample electrical and header compartments
- Adjustable Fan Delay on medium temperature Electric Defrost and Hot Gas units
- Fixed fan delay on all low temperature units
- Electronic defrost termi tion on all electric and hot gas defrost units
- Liquid line solenoid valve wire harness factory installed
- Schrader valve on suction header
- Quiet swept wing fan blade
- 1-1/4" NPT drain fitting
- Unit shipped with dry air holding charge
- Factory installed distributor nozzle

AVAILABLE OPTIONS

- SmartVap+ Intuitive Evaporator Control Technology.
- Hot gas loop pan with hot gas defrost models
- Factory installed expansion valve, solenoid valve and room thermostat
- Corrosion protection: alter te fin materials and coatings
- Wire fan guard
- Additio l options available, please contact factory



2025 Refrigeration Products Price List

EFFECTIVE DATE: 31 May 2025 - SUPERCEDES: 01 MARCH 2024

BHP-LINE, HIGH PROFILE EVAPORATORS (cont'd)

HIGH TEMP - AIR DEFROST

ODP MOTORS			WEIGHT		TEFC MOTORS		EC MOTORS - VARIABLE SPEED	
MODEL	VOLTAGE	\$	lbs.	kg	MODEL	\$	MODEL	\$
BHP054HA-T3B-S	208-230/3/60	19854	374	170	BHP054HA-T3B-T	20255	BHP054HA-T3B-M	23062
BHP054HA-T4B-S	460/3/60	19854	374	170	BHP054HA-T4B-T	20255	BHP054HA-T4B-M	23062
BHP054HA-T5B-S	575/3/60	20251	374	170	BHP054HA-T5B-T	20652		
BHP054HA-T7B-S	200-220/3/50	19854	374	170	BHP054HA-T7B-T	20255	BHP054HA-T7B-M	23062
BHP054HA-T9B-S	380-400/3/50	19854	374	170	BHP054HA-T9B-T	20255	BHP054HA-T9B-M	23062
BHP062HA-T3B-S	208-230/3/60	21335	397	180	BHP062HA-T3B-T	21737	BHP062HA-T3B-M	24543
BHP062HA-T4B-S	460/3/60	21335	397	180	BHP062HA-T4B-T	21737	BHP062HA-T4B-M	24543
BHP062HA-T5B-S	575/3/60	21762	397	180	BHP062HA-T5B-T	22163		
BHP062HA-T7B-S	200-220/3/50	21335	397	180	BHP062HA-T7B-T	21737	BHP062HA-T7B-M	24543
BHP062HA-T9B-S	380-400/3/50	21335	397	180	BHP062HA-T9B-T	21737	BHP062HA-T9B-M	24543
BHP077HA-T3B-S	208-230/3/60	22951	420	191	BHP077HA-T3B-T	23353	BHP077HA-T3B-M	26159
BHP077HA-T4B-S	460/3/60	22951	420	191	BHP077HA-T4B-T	23353	BHP077HA-T4B-M	26159
BHP077HA-T5B-S	575/3/60	23410	420	191	BHP077HA-T5B-T	23812		
BHP077HA-T7B-S	200-220/3/50	22951	420	191	BHP077HA-T7B-T	23353	BHP077HA-T7B-M	26159
BHP077HA-T9B-S	380-400/3/50	22951	420	191	BHP077HA-T9B-T	23353	BHP077HA-T9B-M	26159
BHP109HA-T3B-S	208-230/3/60	33578	656	298	BHP109HA-T3B-T	34382	BHP109HA-T3B-M	39994
BHP109HA-T4B-S	460/3/60	33578	656	298	BHP109HA-T4B-T	34382	BHP109HA-T4B-M	39994
BHP109HA-T5B-S	575/3/60	34250	656	298	BHP109HA-T5B-T	35053		
BHP109HA-T7B-S	200-220/3/50	33578	656	298	BHP109HA-T7B-T	34382	BHP109HA-T7B-M	39994
BHP109HA-T9B-S	380-400/3/50	33578	656	298	BHP109HA-T9B-T	34382	BHP109HA-T9B-M	39994
BHP126HA-T3B-S	208-230/3/60	36151	702	319	BHP126HA-T3B-T	36954	BHP126HA-T3B-M	42567
BHP126HA-T4B-S	460/3/60	36151	702	319	BHP126HA-T4B-T	36954	BHP126HA-T4B-M	42567
BHP126HA-T5B-S	575/3/60	36874	702	319	BHP126HA-T5B-T	37677		
BHP126HA-T7B-S	200-220/3/50	36151	702	319	BHP126HA-T7B-T	36954	BHP126HA-T7B-M	42567
BHP126HA-T9B-S	380-400/3/50	36151	702	319	BHP126HA-T9B-T	36954	BHP126HA-T9B-M	42567
BHP154HA-T3B-S	208-230/3/60	42286	748	340	BHP154HA-T3B-T	43089	BHP154HA-T3B-M	48702
BHP154HA-T4B-S	460/3/60	42286	748	340	BHP154HA-T4B-T	43089	BHP154HA-T4B-M	48702
BHP154HA-T5B-S	575/3/60	43131	748	340	BHP154HA-T5B-T	43935		
BHP154HA-T7B-S	200-220/3/50	42286	748	340	BHP154HA-T7B-T	43089	BHP154HA-T7B-M	48702
BHP154HA-T9B-S	380-400/3/50	42286	748	340	BHP154HA-T9B-T	43089	BHP154HA-T9B-M	48702
BHP190HA-T3B-S	208-230/3/60	44622	1007	458	BHP190HA-T3B-T	45827	BHP190HA-T3B-M	54246
BHP190HA-T4B-S	460/3/60	44622	1007	458	BHP190HA-T4B-T	45827	BHP190HA-T4B-M	54246
BHP190HA-T5B-S	575/3/60	45514	1007	458	BHP190HA-T5B-T	46719		
BHP190HA-T7B-S	200-220/3/50	44622	1007	458	BHP190HA-T7B-T	45827	BHP190HA-T7B-M	54246
BHP190HA-T9B-S	380-400/3/50	44622	1007	458	BHP190HA-T9B-T	45827	BHP190HA-T9B-M	54246
BHP229HA-T3B-S	208-230/3/60	52569	1076	489	BHP229HA-T3B-T	53774	BHP229HA-T3B-M	62193
BHP229HA-T4B-S	460/3/60	52569	1076	489	BHP229HA-T4B-T	53774	BHP229HA-T4B-M	62193
BHP229HA-T5B-S	575/3/60	53620	1076	489	BHP229HA-T5B-T	54825		
BHP229HA-T7B-S	200-220/3/50	52569	1076	489	BHP229HA-T7B-T	53774	BHP229HA-T7B-M	62193
BHP229HA-T9B-S	380-400/3/50	52569	1076	489	BHP229HA-T9B-T	53774	BHP229HA-T9B-M	62193
BHP282HA-T3B-S	208-230/3/60	66114	1592	724	BHP282HA-T3B-T	67720	BHP282HA-T3B-M	78946
BHP282HA-T4B-S	460/3/60	66114	1592	724	BHP282HA-T4B-T	67720	BHP282HA-T4B-M	78946
BHP282HA-T5B-S	575/3/60	67436	1592	724	BHP282HA-T5B-T	69043		
BHP282HA-T7B-S	200-220/3/50	66114	1592	724	BHP282HA-T7B-T	67720	BHP282HA-T7B-M	78946
BHP282HA-T9B-S	380-400/3/50	66114	1592	724	BHP282HA-T9B-T	67720	BHP282HA-T9B-M	78946
BHP308HA-T3B-S	208-230/3/60	68608	1720	782	BHP308HA-T3B-T	70215	BHP308HA-T3B-M	81440
BHP308HA-T4B-S	460/3/60	68608	1720	782	BHP308HA-T4B-T	70215	BHP308HA-T4B-M	81440
BHP308HA-T5B-S	575/3/60	69980	1720	782	BHP308HA-T5B-T	71587		
BHP308HA-T7B-S	200-220/3/50	68608	1720	782	BHP308HA-T7B-T	70215	BHP308HA-T7B-M	81440
BHP308HA-T9B-S	380-400/3/50	68608	1720	782	BHP308HA-T9B-T	70215	BHP308HA-T9B-M	81440



2025 Refrigeration Products Price List

EFFECTIVE DATE: 31 May 2025 - SUPERCEDES: 01 MARCH 2024

BHP-LINE, HIGH PROFILE EVAPORATORS (cont'd)

MEDIUM TEMP - ELECTRIC DEFROST

ODP MOTORS			WEIGHT		TEFC MOTORS		EC MOTORS - VARIABLE SPEED	
MODEL	VOLTAGE	\$	lbs.	kg	MODEL	\$	MODEL	\$
BHP050ME-T3B-S	208-230/3/60	27481	370	168	BHP050ME-T3B-T	27882	BHP050ME-T3B-M	30689
BHP050ME-T4B-S	460/3/60	27481	370	168	BHP050ME-T4B-T	27882	BHP050ME-T4B-M	30689
BHP050ME-T5B-S	575/3/60	28030	370	168	BHP050ME-T5B-T	28432		
BHP050ME-T7B-S	200-220/3/50	27481	370	168	BHP050ME-T7B-T	27882	BHP050ME-T7B-M	30689
BHP050ME-T9B-S	380-400/3/50	27481	370	168	BHP050ME-T9B-T	27882	BHP050ME-T9B-M	30689
BHP059ME-T3B-S	208-230/3/60	28928	391	178	BHP059ME-T3B-T	29329	BHP059ME-T3B-M	32136
BHP059ME-T4B-S	460/3/60	28928	391	178	BHP059ME-T4B-T	29329	BHP059ME-T4B-M	32136
BHP059ME-T5B-S	575/3/60	29506	391	178	BHP059ME-T5B-T	29908		
BHP059ME-T7B-S	200-220/3/50	28928	391	178	BHP059ME-T7B-T	29329	BHP059ME-T7B-M	32136
BHP059ME-T9B-S	380-400/3/50	28928	391	178	BHP059ME-T9B-T	29329	BHP059ME-T9B-M	32136
BHP073ME-T3B-S	208-230/3/60	32500	412	187	BHP073ME-T3B-T	32902	BHP073ME-T3B-M	35708
BHP073ME-T4B-S	460/3/60	32500	412	187	BHP073ME-T4B-T	32902	BHP073ME-T4B-M	35708
BHP073ME-T5B-S	575/3/60	33150	412	187	BHP073ME-T5B-T	33552		
BHP073ME-T7B-S	200-220/3/50	32500	412	187	BHP073ME-T7B-T	32902	BHP073ME-T7B-M	35708
BHP073ME-T9B-S	380-400/3/50	32500	412	187	BHP073ME-T9B-T	32902	BHP073ME-T9B-M	35708
BHP101ME-T3B-S	208-230/3/60	36382	647	294	BHP101ME-T3B-T	37185	BHP101ME-T3B-M	42798
BHP101ME-T4B-S	460/3/60	36382	647	294	BHP101ME-T4B-T	37185	BHP101ME-T4B-M	42798
BHP101ME-T5B-S	575/3/60	37109	647	294	BHP101ME-T5B-T	37913		
BHP101ME-T7B-S	200-220/3/50	36382	647	294	BHP101ME-T7B-T	37185	BHP101ME-T7B-M	42798
BHP101ME-T9B-S	380-400/3/50	36382	647	294	BHP101ME-T9B-T	37185	BHP101ME-T9B-M	42798
BHP118ME-T3B-S	208-230/3/60	46430	690	314	BHP118ME-T3B-T	47234	BHP118ME-T3B-M	52846
BHP118ME-T4B-S	460/3/60	46430	690	314	BHP118ME-T4B-T	47234	BHP118ME-T4B-M	52846
BHP118ME-T5B-S	575/3/60	47359	690	314	BHP118ME-T5B-T	48162		
BHP118ME-T7B-S	200-220/3/50	46430	690	314	BHP118ME-T7B-T	47234	BHP118ME-T7B-M	52846
BHP118ME-T9B-S	380-400/3/50	46430	690	314	BHP118ME-T9B-T	47234	BHP118ME-T9B-M	52846
BHP146ME-T3B-S	208-230/3/60	48057	732	333	BHP146ME-T3B-T	48861	BHP146ME-T3B-M	54474
BHP146ME-T4B-S	460/3/60	48057	732	333	BHP146ME-T4B-T	48861	BHP146ME-T4B-M	54474
BHP146ME-T5B-S	575/3/60	49019	732	333	BHP146ME-T5B-T	49822		
BHP146ME-T7B-S	200-220/3/50	48057	732	333	BHP146ME-T7B-T	48861	BHP146ME-T7B-M	54474
BHP146ME-T9B-S	380-400/3/50	48057	732	333	BHP146ME-T9B-T	48861	BHP146ME-T9B-M	54474
BHP177ME-T3B-S	208-230/3/60	53031	989	450	BHP177ME-T3B-T	54236	BHP177ME-T3B-M	62655
BHP177ME-T4B-S	460/3/60	53031	989	450	BHP177ME-T4B-T	54236	BHP177ME-T4B-M	62655
BHP177ME-T5B-S	575/3/60	54091	989	450	BHP177ME-T5B-T	55296		
BHP177ME-T7B-S	200-220/3/50	53031	989	450	BHP177ME-T7B-T	54236	BHP177ME-T7B-M	62655
BHP177ME-T9B-S	380-400/3/50	53031	989	450	BHP177ME-T9B-T	54236	BHP177ME-T9B-M	62655
BHP218ME-T3B-S	208-230/3/60	68684	1052	478	BHP218ME-T3B-T	69889	BHP218ME-T3B-M	78308
BHP218ME-T4B-S	460/3/60	68684	1052	478	BHP218ME-T4B-T	69889	BHP218ME-T4B-M	78308
BHP218ME-T5B-S	575/3/60	70058	1052	478	BHP218ME-T5B-T	71263		
BHP218ME-T9B-S	380-400/3/50	68684	1052	478	BHP218ME-T9B-T	69889	BHP218ME-T9B-M	78308
BHP266ME-T3B-S	208-230/3/60	80822	1550	705	BHP266ME-T3B-T	82429	BHP266ME-T3B-M	93654
BHP266ME-T4B-S	460/3/60	80822	1550	705	BHP266ME-T4B-T	82429	BHP266ME-T4B-M	93654
BHP266ME-T5B-S	575/3/60	82439	1550	705	BHP266ME-T5B-T	84046		
BHP266ME-T9B-S	380-400/3/50	80822	1550	705	BHP266ME-T9B-T	82429	BHP266ME-T9B-M	93654
BHP291ME-T4B-S	460/3/60	83867	1670	759	BHP291ME-T4B-T	85473	BHP291ME-T4B-M	96699
BHP291ME-T5B-S	575/3/60	85544	1670	759	BHP291ME-T5B-T	87151		
BHP291ME-T9B-S	380-400/3/50	83867	1670	759	BHP291ME-T9B-T	85473	BHP291ME-T9B-M	96699

OPTIONS:

- Adjustable defrost termination / fan delay is a standard feature - included in list price.
- THROW BOOSTER **\$693** LIST PER FAN SECTION (derate capacity by 0.92 & CFM by 0.85)



2025 Refrigeration Products Price List

EFFECTIVE DATE: 31 May 2025 - SUPERCEDES: 01 MARCH 2024

BHP-LINE, HIGH PROFILE EVAPORATORS (cont'd)

MEDIUM TEMP 6 FPI - HOT GAS DEFROST

^ Insert appropriate code for hot gas defrost type

ODP MOTORS			WEIGHT		TEFC MOTORS		EC MOTORS - VARIABLE SPEED	
MODEL	VOLTAGE	\$	lbs.	kg	MODEL	\$	MODEL	\$
BHP050M [^] -T3B-SN	208-230/3/60	27481	373	170	BHP050M [^] -T3B-TN	27882	BHP050M [^] -T3B-MN	30689
BHP050M [^] -T4B-SN	460/3/60	27481	373	170	BHP050M [^] -T4B-TN	27882	BHP050M [^] -T4B-MN	30689
BHP050M [^] -T5B-SN	575/3/60	28030	373	170	BHP050M [^] -T5B-TN	28432		
BHP050M [^] -T7B-SN	200-220/3/50	27481	373	170	BHP050M [^] -T7B-TN	27882	BHP050M [^] -T7B-MN	30689
BHP050M [^] -T9B-SN	380-400/3/50	27481	373	170	BHP050M [^] -T9B-TN	27882	BHP050M [^] -T9B-MN	30689
BHP059M [^] -T3B-SN	208-230/3/60	28928	394	179	BHP059M [^] -T3B-TN	29329	BHP059M [^] -T3B-MN	32136
BHP059M [^] -T4B-SN	460/3/60	28928	394	179	BHP059M [^] -T4B-TN	29329	BHP059M [^] -T4B-MN	32136
BHP059M [^] -T5B-SN	575/3/60	29506	394	179	BHP059M [^] -T5B-TN	29908		
BHP059M [^] -T7B-SN	200-220/3/50	28928	394	179	BHP059M [^] -T7B-TN	29329	BHP059M [^] -T7B-MN	32136
BHP059M [^] -T9B-SN	380-400/3/50	28928	394	179	BHP059M [^] -T9B-TN	29329	BHP059M [^] -T9B-MN	32136
BHP073M [^] -T3B-SN	208-230/3/60	32500	415	189	BHP073M [^] -T3B-TN	32902	BHP073M [^] -T3B-MN	35708
BHP073M [^] -T4B-SN	460/3/60	32500	415	189	BHP073M [^] -T4B-TN	32902	BHP073M [^] -T4B-MN	35708
BHP073M [^] -T5B-SN	575/3/60	33150	415	189	BHP073M [^] -T5B-TN	33552		
BHP073M [^] -T7B-SN	200-220/3/50	32500	415	189	BHP073M [^] -T7B-TN	32902	BHP073M [^] -T7B-MN	35708
BHP073M [^] -T9B-SN	380-400/3/50	32500	415	189	BHP073M [^] -T9B-TN	32902	BHP073M [^] -T9B-MN	35708
BHP101M [^] -T3B-SN	208-230/3/60	36382	654	297	BHP101M [^] -T3B-TN	37185	BHP101M [^] -T3B-MN	42798
BHP101M [^] -T4B-SN	460/3/60	36382	654	297	BHP101M [^] -T4B-TN	37185	BHP101M [^] -T4B-MN	42798
BHP101M [^] -T5B-SN	575/3/60	37109	654	297	BHP101M [^] -T5B-TN	37913		
BHP101M [^] -T7B-SN	200-220/3/50	36382	654	297	BHP101M [^] -T7B-TN	37185	BHP101M [^] -T7B-MN	42798
BHP101M [^] -T9B-SN	380-400/3/50	36382	654	297	BHP101M [^] -T9B-TN	37185	BHP101M [^] -T9B-MN	42798
BHP118M [^] -T3B-SN	208-230/3/60	46430	696	316	BHP118M [^] -T3B-TN	47234	BHP118M [^] -T3B-MN	52846
BHP118M [^] -T4B-SN	460/3/60	46430	696	316	BHP118M [^] -T4B-TN	47234	BHP118M [^] -T4B-MN	52846
BHP118M [^] -T5B-SN	575/3/60	47359	696	316	BHP118M [^] -T5B-TN	48162		
BHP118M [^] -T7B-SN	200-220/3/50	46430	696	316	BHP118M [^] -T7B-TN	47234	BHP118M [^] -T7B-MN	52846
BHP118M [^] -T9B-SN	380-400/3/50	46430	696	316	BHP118M [^] -T9B-TN	47234	BHP118M [^] -T9B-MN	52846
BHP146M [^] -T3B-SN	208-230/3/60	48057	739	336	BHP146M [^] -T3B-TN	48861	BHP146M [^] -T3B-MN	54474
BHP146M [^] -T4B-SN	460/3/60	48057	739	336	BHP146M [^] -T4B-TN	48861	BHP146M [^] -T4B-MN	54474
BHP146M [^] -T5B-SN	575/3/60	49019	739	336	BHP146M [^] -T5B-TN	49822		
BHP146M [^] -T7B-SN	200-220/3/50	48057	739	336	BHP146M [^] -T7B-TN	48861	BHP146M [^] -T7B-MN	54474
BHP146M [^] -T9B-SN	380-400/3/50	48057	739	336	BHP146M [^] -T9B-TN	48861	BHP146M [^] -T9B-MN	54474
BHP177M [^] -T3B-SN	208-230/3/60	53031	998	454	BHP177M [^] -T3B-TN	54236	BHP177M [^] -T3B-MN	62655
BHP177M [^] -T4B-SN	460/3/60	53031	998	454	BHP177M [^] -T4B-TN	54236	BHP177M [^] -T4B-MN	62655
BHP177M [^] -T5B-SN	575/3/60	54091	998	454	BHP177M [^] -T5B-TN	55296		
BHP177M [^] -T7B-SN	200-220/3/50	53031	998	454	BHP177M [^] -T7B-TN	54236	BHP177M [^] -T7B-MN	62655
BHP177M [^] -T9B-SN	380-400/3/50	53031	998	454	BHP177M [^] -T9B-TN	54236	BHP177M [^] -T9B-MN	62655
BHP218M [^] -T3B-SN	208-230/3/60	68684	1062	483	BHP218M [^] -T3B-TN	69889	BHP218M [^] -T3B-MN	78308
BHP218M [^] -T4B-SN	460/3/60	68684	1062	483	BHP218M [^] -T4B-TN	69889	BHP218M [^] -T4B-MN	78308
BHP218M [^] -T5B-SN	575/3/60	70058	1062	483	BHP218M [^] -T5B-TN	71263		
BHP218M [^] -T7B-SN	200-220/3/50	68684	1062	483	BHP218M [^] -T7B-TN	69889	BHP218M [^] -T7B-MN	78308
BHP218M [^] -T9B-SN	380-400/3/50	68684	1062	483	BHP218M [^] -T9B-TN	69889	BHP218M [^] -T9B-MN	78308
BHP266M [^] -T3B-SN	208-230/3/60	80822	1563	710	BHP266M [^] -T3B-TN	82429	BHP266M [^] -T3B-MN	93654
BHP266M [^] -T4B-SN	460/3/60	80822	1563	710	BHP266M [^] -T4B-TN	82429	BHP266M [^] -T4B-MN	93654
BHP266M [^] -T5B-SN	575/3/60	82439	1563	710	BHP266M [^] -T5B-TN	84046		
BHP266M [^] -T7B-SN	200-220/3/50	80822	1563	710	BHP266M [^] -T7B-TN	82429	BHP266M [^] -T7B-MN	93654
BHP266M [^] -T9B-SN	380-400/3/50	80822	1563	710	BHP266M [^] -T9B-TN	82429	BHP266M [^] -T9B-MN	93654
BHP291M [^] -T3B-SN	208-230/3/60	83867	1683	765	BHP291M [^] -T3B-TN	85473	BHP291M [^] -T3B-MN	96699
BHP291M [^] -T4B-SN	460/3/60	83867	1683	765	BHP291M [^] -T4B-TN	85473	BHP291M [^] -T4B-MN	96699
BHP291M [^] -T5B-SN	575/3/60	85544	1683	765	BHP291M [^] -T5B-TN	87151		
BHP291M [^] -T7B-SN	200-220/3/50	83867	1683	765	BHP291M [^] -T7B-TN	85473	BHP291M [^] -T7B-MN	96699
BHP291M [^] -T9B-SN	380-400/3/50	83867	1683	765	BHP291M [^] -T9B-TN	85473	BHP291M [^] -T9B-MN	96699

HOT GAS DEFROST OPTIONS:

- Adjustable defrost termination / fan delay is a standard feature - included in list price.
- Electric drain pan heater w/ factory mounted check valve, distributor side port is standard.
- LIST ADD \$493 PER FAN SECTION FOR HOT GAS LOOP
- LIST ADD FOR REVERSE CYCLE KITS ON HOT GAS UNITS:(NOT AVAILABLE ON 4 FAN MODELS) (INCLUDES 2 CHECK VALVES & SUCTION PIPING ASSEMBLY-KITS DO NOT INCLUDE HOT GAS LOOP PRICE): - 1 FAN MODELS: \$6044 - 2 FAN MODELS: LIST \$7181 - 3 FAN MODELS: LIST \$8079



2025 Refrigeration Products Price List

EFFECTIVE DATE: 31 May 2025 - SUPERCEDES: 01 MARCH 2024

BHP-LINE, HIGH PROFILE EVAPORATORS (cont'd)

LOW TEMP 6 FPI- ELECTRIC DEFROST

ODP MOTORS			WEIGHT		TEFC MOTORS		EC MOTORS - VARIABLE SPEED	
MODEL	VOLTAGE	\$	lbs.	kg	MODEL	\$	MODEL	\$
BHP047LE-T3B-S	208-230/3/60	27481	370	168	BHP047LE-T3B-T	27882	BHP047LE-T3B-M	30689
BHP047LE-T4B-S	460/3/60	27481	370	168	BHP047LE-T4B-T	27882	BHP047LE-T4B-M	30689
BHP047LE-T5B-S	575/3/60	28030	370	168	BHP047LE-T5B-T	28432		
BHP047LE-T7B-S	200-220/3/50	27481	370	168	BHP047LE-T7B-T	27882	BHP047LE-T7B-M	30689
BHP047LE-T9B-S	380-400/3/50	27481	370	168	BHP047LE-T9B-T	27882	BHP047LE-T9B-M	30689
BHP056LE-T3B-S	208-230/3/60	28928	391	178	BHP056LE-T3B-T	29329	BHP056LE-T3B-M	32136
BHP056LE-T4B-S	460/3/60	28928	391	178	BHP056LE-T4B-T	29329	BHP056LE-T4B-M	32136
BHP056LE-T5B-S	575/3/60	29506	391	178	BHP056LE-T5B-T	29908		
BHP056LE-T7B-S	200-220/3/50	28928	391	178	BHP056LE-T7B-T	29329	BHP056LE-T7B-M	32136
BHP056LE-T9B-S	380-400/3/50	28928	391	178	BHP056LE-T9B-T	29329	BHP056LE-T9B-M	32136
BHP063LE-T3B-S	208-230/3/60	32500	412	187	BHP063LE-T3B-T	32902	BHP063LE-T3B-M	35708
BHP063LE-T4B-S	460/3/60	32500	412	187	BHP063LE-T4B-T	32902	BHP063LE-T4B-M	35708
BHP063LE-T5B-S	575/3/60	33150	412	187	BHP063LE-T5B-T	33552		
BHP063LE-T7B-S	200-220/3/50	32500	412	187	BHP063LE-T7B-T	32902	BHP063LE-T7B-M	35708
BHP063LE-T9B-S	380-400/3/50	32500	412	187	BHP063LE-T9B-T	32902	BHP063LE-T9B-M	35708
BHP091LE-T3B-S	208-230/3/60	36382	647	294	BHP091LE-T3B-T	37185	BHP091LE-T3B-M	42798
BHP091LE-T4B-S	460/3/60	36382	647	294	BHP091LE-T4B-T	37185	BHP091LE-T4B-M	42798
BHP091LE-T5B-S	575/3/60	37109	647	294	BHP091LE-T5B-T	37913		
BHP091LE-T7B-S	200-220/3/50	36382	647	294	BHP091LE-T7B-T	37185	BHP091LE-T7B-M	42798
BHP091LE-T9B-S	380-400/3/50	36382	647	294	BHP091LE-T9B-T	37185	BHP091LE-T9B-M	42798
BHP110LE-T3B-S	208-230/3/60	46430	690	314	BHP110LE-T3B-T	47234	BHP110LE-T3B-M	52846
BHP110LE-T4B-S	460/3/60	46430	690	314	BHP110LE-T4B-T	47234	BHP110LE-T4B-M	52846
BHP110LE-T5B-S	575/3/60	47359	690	314	BHP110LE-T5B-T	48162		
BHP110LE-T7B-S	200-220/3/50	46430	690	314	BHP110LE-T7B-T	47234	BHP110LE-T7B-M	52846
BHP110LE-T9B-S	380-400/3/50	46430	690	314	BHP110LE-T9B-T	47234	BHP110LE-T9B-M	52846
BHP126LE-T3B-S	208-230/3/60	48057	732	333	BHP126LE-T3B-T	48861	BHP126LE-T3B-M	54474
BHP126LE-T4B-S	460/3/60	48057	732	333	BHP126LE-T4B-T	48861	BHP126LE-T4B-M	54474
BHP126LE-T5B-S	575/3/60	49019	732	333	BHP126LE-T5B-T	49822		
BHP126LE-T7B-S	200-220/3/50	48057	732	333	BHP126LE-T7B-T	48861	BHP126LE-T7B-M	54474
BHP126LE-T9B-S	380-400/3/50	48057	732	333	BHP126LE-T9B-T	48861	BHP126LE-T9B-M	54474
BHP138LE-T3B-S	208-230/3/60	49685	925	420	BHP138LE-T3B-T	50890	BHP138LE-T3B-M	59309
BHP138LE-T4B-S	460/3/60	49685	925	420	BHP138LE-T4B-T	50890	BHP138LE-T4B-M	59309
BHP138LE-T5B-S	575/3/60	50678	925	420	BHP138LE-T5B-T	51884		
BHP138LE-T7B-S	200-220/3/50	49685	925	420	BHP138LE-T7B-T	50890	BHP138LE-T7B-M	59309
BHP138LE-T9B-S	380-400/3/50	49685	925	420	BHP138LE-T9B-T	50890	BHP138LE-T9B-M	59309
BHP167LE-T3B-S	208-230/3/60	53031	989	450	BHP167LE-T3B-T	54236	BHP167LE-T3B-M	62655
BHP167LE-T4B-S	460/3/60	53031	989	450	BHP167LE-T4B-T	54236	BHP167LE-T4B-M	62655
BHP167LE-T5B-S	575/3/60	54091	989	450	BHP167LE-T5B-T	55296		
BHP167LE-T7B-S	200-220/3/50	53031	989	450	BHP167LE-T7B-T	54236	BHP167LE-T7B-M	62655
BHP167LE-T9B-S	380-400/3/50	53031	989	450	BHP167LE-T9B-T	54236	BHP167LE-T9B-M	62655
BHP190LE-T3B-S	208-230/3/60	68684	1052	478	BHP190LE-T3B-T	69889	BHP190LE-T3B-M	78308
BHP190LE-T4B-S	460/3/60	68684	1052	478	BHP190LE-T4B-T	69889	BHP190LE-T4B-M	78308
BHP190LE-T5B-S	575/3/60	70058	1052	478	BHP190LE-T5B-T	71263		
BHP190LE-T7B-S	200-220/3/50	68684	1052	478	BHP190LE-T7B-T	69889	BHP190LE-T7B-M	78308
BHP190LE-T9B-S	380-400/3/50	68684	1052	478	BHP190LE-T9B-T	69889	BHP190LE-T9B-M	78308
BHP202LE-T3B-S	208-230/3/60	74753	1431	650	BHP202LE-T3B-T	76360	BHP202LE-T3B-M	87585
BHP202LE-T4B-S	460/3/60	74753	1431	650	BHP202LE-T4B-T	76360	BHP202LE-T4B-M	87585
BHP202LE-T5B-S	575/3/60	76248	1431	650	BHP202LE-T5B-T	77855		
BHP202LE-T9B-S	380-400/3/50	74753	1431	650	BHP202LE-T9B-T	76360	BHP202LE-T9B-M	87585
BHP229LE-T3B-S	208-230/3/60	80822	1550	705	BHP229LE-T3B-T	82429	BHP229LE-T3B-M	93654
BHP229LE-T4B-S	460/3/60	80822	1550	705	BHP229LE-T4B-T	82429	BHP229LE-T4B-M	93654
BHP229LE-T5B-S	575/3/60	82439	1550	705	BHP229LE-T5B-T	84046		
BHP229LE-T9B-S	380-400/3/50	80822	1550	705	BHP229LE-T9B-T	82429	BHP229LE-T9B-M	93654
BHP252LE-T4B-S	460/3/60	83867	1670	759	BHP252LE-T4B-T	85473	BHP252LE-T4B-M	96699
BHP252LE-T5B-S	575/3/60	85544	1670	759	BHP252LE-T5B-T	87151		
BHP252LE-T9B-S	380-400/3/50	83867	1670	759	BHP252LE-T9B-T	85473	BHP252LE-T9B-M	96699



2025 Refrigeration Products Price List

EFFECTIVE DATE: 31 May 2025 - SUPERCEDES: 01 MARCH 2024

BHP-LINE, HIGH PROFILE EVAPORATORS (cont'd)

LOW TEMP 4 FPI- ELECTRIC DEFROST

ODP MOTORS			WEIGHT		TEFC MOTORS		EC MOTORS - VARIABLE SPEED	
MODEL	VOLTAGE	\$	lbs.	kg	MODEL	\$	Model	\$
BHP040VE-T3B-S	208-230/3/60	25409	360	164	BHP040VE-T3B-T	25811	BHP040VE-T3B-M	28618
BHP040VE-T4B-S	460/3/60	25409	360	164	BHP040VE-T4B-T	25811	BHP040VE-T4B-M	28618
BHP040VE-T5B-S	575/3/60	25918	360	164	BHP040VE-T5B-T	26319		
BHP040VE-T7B-S	200-220/3/50	25409	360	164	BHP040VE-T7B-T	25811	BHP040VE-T7B-M	28618
BHP040VE-T9B-S	380-400/3/50	25409	360	164	BHP040VE-T9B-T	25811	BHP040VE-T9B-M	28618
BHP049VE-T3B-S	208-230/3/60	27021	379	172	BHP049VE-T3B-T	27423	BHP049VE-T3B-M	30229
BHP049VE-T4B-S	460/3/60	27021	379	172	BHP049VE-T4B-T	27423	BHP049VE-T4B-M	30229
BHP049VE-T5B-S	575/3/60	27561	379	172	BHP049VE-T5B-T	27963		
BHP049VE-T7B-S	200-220/3/50	27021	379	172	BHP049VE-T7B-T	27423	BHP049VE-T7B-M	30229
BHP049VE-T9B-S	380-400/3/50	27021	379	172	BHP049VE-T9B-T	27423	BHP049VE-T9B-M	30229
BHP056VE-T3B-S	208-230/3/60	28792	397	180	BHP056VE-T3B-T	29193	BHP056VE-T3B-M	32000
BHP056VE-T4B-S	460/3/60	28792	397	180	BHP056VE-T4B-T	29193	BHP056VE-T4B-M	32000
BHP056VE-T5B-S	575/3/60	29368	397	180	BHP056VE-T5B-T	29769		
BHP056VE-T7B-S	200-220/3/50	28792	397	180	BHP056VE-T7B-T	29193	BHP056VE-T7B-M	32000
BHP056VE-T9B-S	380-400/3/50	28792	397	180	BHP056VE-T9B-T	29193	BHP056VE-T9B-M	32000
BHP080VE-T3B-S	208-230/3/60	37259	629	286	BHP080VE-T3B-T	38062	BHP080VE-T3B-M	43675
BHP080VE-T4B-S	460/3/60	37259	629	286	BHP080VE-T4B-T	38062	BHP080VE-T4B-M	43675
BHP080VE-T5B-S	575/3/60	38004	629	286	BHP080VE-T5B-T	38808		
BHP080VE-T7B-S	200-220/3/50	37259	629	286	BHP080VE-T7B-T	38062	BHP080VE-T7B-M	43675
BHP080VE-T9B-S	380-400/3/50	37259	629	286	BHP080VE-T9B-T	38062	BHP080VE-T9B-M	43675
BHP097VE-T3B-S	208-230/3/60	45726	665	302	BHP097VE-T3B-T	46530	BHP097VE-T3B-M	52142
BHP097VE-T4B-S	460/3/60	45726	665	302	BHP097VE-T4B-T	46530	BHP097VE-T4B-M	52142
BHP097VE-T5B-S	575/3/60	46641	665	302	BHP097VE-T5B-T	47444		
BHP097VE-T7B-S	200-220/3/50	45726	665	302	BHP097VE-T7B-T	46530	BHP097VE-T7B-M	52142
BHP097VE-T9B-S	380-400/3/50	45726	665	302	BHP097VE-T9B-T	46530	BHP097VE-T9B-M	52142
BHP111VE-T3B-S	208-230/3/60	47489	701	319	BHP111VE-T3B-T	48293	BHP111VE-T3B-M	53905
BHP111VE-T4B-S	460/3/60	47489	701	319	BHP111VE-T4B-T	48293	BHP111VE-T4B-M	53905
BHP111VE-T5B-S	575/3/60	48439	701	319	BHP111VE-T5B-T	49242		
BHP111VE-T7B-S	200-220/3/50	47489	701	319	BHP111VE-T7B-T	48293	BHP111VE-T7B-M	53905
BHP111VE-T9B-S	380-400/3/50	47489	701	319	BHP111VE-T9B-T	48293	BHP111VE-T9B-M	53905
BHP120VE-T3B-S	208-230/3/60	49252	897	408	BHP120VE-T3B-T	50457	BHP120VE-T3B-M	58876
BHP120VE-T4B-S	460/3/60	49252	897	408	BHP120VE-T4B-T	50457	BHP120VE-T4B-M	58876
BHP120VE-T5B-S	575/3/60	50237	897	408	BHP120VE-T5B-T	51442		
BHP120VE-T7B-S	200-220/3/50	49252	897	408	BHP120VE-T7B-T	50457	BHP120VE-T7B-M	58876
BHP120VE-T9B-S	380-400/3/50	49252	897	408	BHP120VE-T9B-T	50457	BHP120VE-T9B-M	58876
BHP146VE-T3B-S	208-230/3/60	52569	951	432	BHP146VE-T3B-T	53774	BHP146VE-T3B-M	62193
BHP146VE-T4B-S	460/3/60	52569	951	432	BHP146VE-T4B-T	53774	BHP146VE-T4B-M	62193
BHP146VE-T5B-S	575/3/60	53620	951	432	BHP146VE-T5B-T	54825		
BHP146VE-T7B-S	200-220/3/50	52569	951	432	BHP146VE-T7B-T	53774	BHP146VE-T7B-M	62193
BHP146VE-T9B-S	380-400/3/50	52569	951	432	BHP146VE-T9B-T	53774	BHP146VE-T9B-M	62193
BHP168VE-T3B-S	208-230/3/60	66347	1006	457	BHP168VE-T3B-T	67552	BHP168VE-T3B-M	75971
BHP168VE-T4B-S	460/3/60	66347	1006	457	BHP168VE-T4B-T	67552	BHP168VE-T4B-M	75971
BHP168VE-T5B-S	575/3/60	67674	1006	457	BHP168VE-T5B-T	68879		
BHP168VE-T9B-S	380-400/3/50	66347	1006	457	BHP168VE-T9B-T	67552	BHP168VE-T9B-M	75971
BHP204VE-T3B-S	208-230/3/60	73238	1467	667	BHP204VE-T3B-T	74845	BHP204VE-T3B-M	86070
BHP204VE-T4B-S	460/3/60	73238	1467	667	BHP204VE-T4B-T	74845	BHP204VE-T4B-M	86070
BHP204VE-T5B-S	575/3/60	74703	1467	667	BHP204VE-T5B-T	76309		
BHP204VE-T9B-S	380-400/3/50	73238	1467	667	BHP204VE-T9B-T	74845	BHP204VE-T9B-M	86070
BHP230VE-T4B-S	460/3/60	80128	1570	714	BHP230VE-T4B-T	81735	BHP230VE-T4B-M	92961
BHP230VE-T5B-S	575/3/60	81731	1570	714	BHP230VE-T5B-T	83338		
BHP230VE-T9B-S	380-400/3/50	80128	1570	714	BHP230VE-T9B-T	81735	BHP230VE-T9B-M	92961



2025 Refrigeration Products Price List

EFFECTIVE DATE: 31 May 2025 - SUPERCEDES: 01 MARCH 2024

BHP-LINE, HIGH PROFILE EVAPORATORS (cont'd)

LOW TEMP 6 FPI- HOT GAS DEFROST

^ Insert appropriate code for hot gas defrost type

ODP MOTORS			WEIGHT		TEFC MOTORS		EC MOTORS - VARIABLE SPEED	
MODEL	VOLTAGE	\$	lbs	kg	MODEL	\$	MODEL	\$
BHP047L^A-T3B-SN	208-230/3/60	27481	373	170	BHP047L^A-T3B-TN	27882	BHP047L^A-T3B-MN	30689
BHP047L^A-T4B-SN	460/3/60	27481	373	170	BHP047L^A-T4B-TN	27882	BHP047L^A-T4B-MN	30689
BHP047L^A-T5B-SN	575/3/60	28030	373	170	BHP047L^A-T5B-TN	28432		
BHP047L^A-T7B-SN	200-220/3/50	27481	373	170	BHP047L^A-T7B-TN	27882	BHP047L^A-T7B-MN	30689
BHP047L^A-T9B-SN	380-400/3/50	27481	373	170	BHP047L^A-T9B-TN	27882	BHP047L^A-T9B-MN	30689
BHP056L^A-T3B-SN	208-230/3/60	28928	394	179	BHP056L^A-T3B-TN	29329	BHP056L^A-T3B-MN	32136
BHP056L^A-T4B-SN	460/3/60	28928	394	179	BHP056L^A-T4B-TN	29329	BHP056L^A-T4B-MN	32136
BHP056L^A-T5B-SN	575/3/60	29506	394	179	BHP056L^A-T5B-TN	29908		
BHP056L^A-T7B-SN	200-220/3/50	28928	394	179	BHP056L^A-T7B-TN	29329	BHP056L^A-T7B-MN	32136
BHP056L^A-T9B-SN	380-400/3/50	28928	394	179	BHP056L^A-T9B-TN	29329	BHP056L^A-T9B-MN	32136
BHP063L^A-T3B-SN	208-230/3/60	32500	415	189	BHP063L^A-T3B-TN	32902	BHP063L^A-T3B-MN	35708
BHP063L^A-T4B-SN	460/3/60	32500	415	189	BHP063L^A-T4B-TN	32902	BHP063L^A-T4B-MN	35708
BHP063L^A-T5B-SN	575/3/60	33150	415	189	BHP063L^A-T5B-TN	33552		
BHP063L^A-T7B-SN	200-220/3/50	32500	415	189	BHP063L^A-T7B-TN	32902	BHP063L^A-T7B-MN	35708
BHP063L^A-T9B-SN	380-400/3/50	32500	415	189	BHP063L^A-T9B-TN	32902	BHP063L^A-T9B-MN	35708
BHP091L^A-T3B-SN	208-230/3/60	36382	654	297	BHP091L^A-T3B-TN	37185	BHP091L^A-T3B-MN	42798
BHP091L^A-T4B-SN	460/3/60	36382	654	297	BHP091L^A-T4B-TN	37185	BHP091L^A-T4B-MN	42798
BHP091L^A-T5B-SN	575/3/60	37109	654	297	BHP091L^A-T5B-TN	37913		
BHP091L^A-T7B-SN	200-220/3/50	36382	654	297	BHP091L^A-T7B-TN	37185	BHP091L^A-T7B-MN	42798
BHP091L^A-T9B-SN	380-400/3/50	36382	654	297	BHP091L^A-T9B-TN	37185	BHP091L^A-T9B-MN	42798
BHP110L^A-T3B-SN	208-230/3/60	46430	696	316	BHP110L^A-T3B-TN	47234	BHP110L^A-T3B-MN	52846
BHP110L^A-T4B-SN	460/3/60	46430	696	316	BHP110L^A-T4B-TN	47234	BHP110L^A-T4B-MN	52846
BHP110L^A-T5B-SN	575/3/60	47359	696	316	BHP110L^A-T5B-TN	48162	BHP110L^A-T7B-MN	52846
BHP110L^A-T7B-SN	200-220/3/50	46430	696	316	BHP110L^A-T7B-TN	47234		
BHP110L^A-T9B-SN	380-400/3/50	46430	696	316	BHP110L^A-T9B-TN	47234	BHP110L^A-T9B-MN	52846
BHP126L^A-T3B-SN	208-230/3/60	48057	739	336	BHP126L^A-T3B-TN	48861	BHP126L^A-T3B-MN	54474
BHP126L^A-T4B-SN	460/3/60	48057	739	336	BHP126L^A-T4B-TN	48861	BHP126L^A-T4B-MN	54474
BHP126L^A-T5B-SN	575/3/60	49019	739	336	BHP126L^A-T5B-TN	49822	BHP126L^A-T7B-MN	54474
BHP126L^A-T7B-SN	200-220/3/50	48057	739	336	BHP126L^A-T7B-TN	48861		
BHP126L^A-T9B-SN	380-400/3/50	48057	739	336	BHP126L^A-T9B-TN	48861	BHP126L^A-T9B-MN	54474
BHP138L^A-T3B-SN	208-230/3/60	49685	934	425	BHP138L^A-T3B-TN	50890	BHP138L^A-T3B-MN	59309
BHP138L^A-T4B-SN	460/3/60	49685	934	425	BHP138L^A-T4B-TN	50890	BHP138L^A-T4B-MN	59309
BHP138L^A-T5B-SN	575/3/60	50678	934	425	BHP138L^A-T5B-TN	51884	BHP138L^A-T7B-MN	59309
BHP138L^A-T7B-SN	200-220/3/50	49685	934	425	BHP138L^A-T7B-TN	50890		
BHP138L^A-T9B-SN	380-400/3/50	49685	934	425	BHP138L^A-T9B-TN	50890	BHP138L^A-T9B-MN	59309
BHP167L^A-T3B-SN	208-230/3/60	53031	998	454	BHP167L^A-T3B-TN	54236	BHP167L^A-T3B-MN	62655
BHP167L^A-T4B-SN	460/3/60	53031	998	454	BHP167L^A-T4B-TN	54236	BHP167L^A-T4B-MN	62655
BHP167L^A-T5B-SN	575/3/60	54091	998	454	BHP167L^A-T5B-TN	55296	BHP167L^A-T7B-MN	62655
BHP167L^A-T7B-SN	200-220/3/50	53031	998	454	BHP167L^A-T7B-TN	54236		
BHP167L^A-T9B-SN	380-400/3/50	53031	998	454	BHP167L^A-T9B-TN	54236	BHP167L^A-T9B-MN	62655
BHP190L^A-T3B-SN	208-230/3/60	68684	1065	484	BHP190L^A-T3B-TN	69889	BHP190L^A-T3B-MN	78308
BHP190L^A-T4B-SN	460/3/60	68684	1065	484	BHP190L^A-T4B-TN	69889	BHP190L^A-T4B-MN	78308
BHP190L^A-T5B-SN	575/3/60	70058	1065	484	BHP190L^A-T5B-TN	71263	BHP190L^A-T7B-MN	78308
BHP190L^A-T7B-SN	200-220/3/50	68684	1065	484	BHP190L^A-T7B-TN	69889		
BHP190L^A-T9B-SN	380-400/3/50	68684	1065	484	BHP190L^A-T9B-TN	69889	BHP190L^A-T9B-MN	78308
BHP202L^A-T3B-SN	208-230/3/60	74753	1443	656	BHP202L^A-T3B-TN	76360	BHP202L^A-T3B-MN	87585
BHP202L^A-T4B-SN	460/3/60	74753	1443	656	BHP202L^A-T4B-TN	76360	BHP202L^A-T4B-MN	87585
BHP202L^A-T5B-SN	575/3/60	76248	1443	656	BHP202L^A-T5B-TN	77855	BHP202L^A-T7B-MN	87585
BHP202L^A-T7B-SN	200-220/3/50	74753	1443	656	BHP202L^A-T7B-TN	76360		
BHP202L^A-T9B-SN	380-400/3/50	74753	1443	656	BHP202L^A-T9B-TN	76360	BHP202L^A-T9B-MN	87585
BHP229L^A-T3B-SN	208-230/3/60	80822	1563	710	BHP229L^A-T3B-TN	82429	BHP229L^A-T3B-MN	93654
BHP229L^A-T4B-SN	460/3/60	80822	1563	710	BHP229L^A-T4B-TN	82429	BHP229L^A-T4B-MN	93654
BHP229L^A-T5B-SN	575/3/60	82439	1563	710	BHP229L^A-T5B-TN	84046		
BHP229L^A-T7B-SN	200-220/3/50	80822	1563	710	BHP229L^A-T7B-TN	82429	BHP229L^A-T7B-MN	93654
BHP229L^A-T9B-SN	380-400/3/50	80822	1563	710	BHP229L^A-T9B-TN	82429	BHP229L^A-T9B-MN	93654
BHP252L^A-T3B-SN	208-230/3/60	83867	1683	765	BHP252L^A-T3B-TN	85473	BHP252L^A-T3B-MN	96699
BHP252L^A-T4B-SN	460/3/60	83867	1683	765	BHP252L^A-T4B-TN	85473	BHP252L^A-T4B-MN	96699
BHP252L^A-T5B-SN	575/3/60	85544	1683	765	BHP252L^A-T5B-TN	87151		
BHP252L^A-T7B-SN	200-220/3/50	83867	1683	765	BHP252L^A-T7B-TN	85473	BHP252L^A-T7B-MN	96699
BHP252L^A-T9B-SN	380-400/3/50	83867	1683	765	BHP252L^A-T9B-TN	85473	BHP252L^A-T9B-MN	96699



2025 Refrigeration Products Price List

EFFECTIVE DATE: 31 May 2025 - SUPERCEDES: 01 MARCH 2024

BHP-LINE, HIGH PROFILE EVAPORATORS (cont'd)

LOW TEMP 4 FPI- HOT GAS DEFROST

^ Insert appropriate code for hot gas defrost type

ODP MOTORS			WEIGHT		TEFC MOTORS		EC MOTORS - VARIABLE SPEED	
MODEL	VOLTAGE	\$	lbs.	kg	MODEL	\$	MODEL	\$
BHP040V^T3B-SN	208-230/3/60	25409	364	165	BHP040V^T3B-TN	25811	BHP040V^T3B-MN	28618
BHP040V^T4B-SN	460/3/60	25409	364	165	BHP040V^T4B-TN	25811	BHP040V^T4B-MN	28618
BHP040V^T5B-SN	575/3/60	25918	364	165	BHP040V^T5B-TN	26319		
BHP040V^T7B-SN	200-220/3/50	25409	364	165	BHP040V^T7B-TN	25811	BHP040V^T7B-MN	28618
BHP040V^T9B-SN	380-400/3/50	25409	364	165	BHP040V^T9B-TN	25811	BHP040V^T9B-MN	28618
BHP049V^T3B-SN	208-230/3/60	27021	382	174	BHP049V^T3B-TN	27423	BHP049V^T3B-MN	30229
BHP049V^T4B-SN	460/3/60	27021	382	174	BHP049V^T4B-TN	27423	BHP049V^T4B-MN	30229
BHP049V^T5B-SN	575/3/60	27561	382	174	BHP049V^T5B-TN	27963		
BHP049V^T7B-SN	200-220/3/50	27021	382	174	BHP049V^T7B-TN	27423	BHP049V^T7B-MN	30229
BHP049V^T9B-SN	380-400/3/50	27021	382	174	BHP049V^T9B-TN	27423	BHP049V^T9B-MN	30229
BHP056V^T3B-SN	208-230/3/60	28792	400	182	BHP056V^T3B-TN	29193	BHP056V^T3B-MN	32000
BHP056V^T4B-SN	460/3/60	28792	400	182	BHP056V^T4B-TN	29193	BHP056V^T4B-MN	32000
BHP056V^T5B-SN	575/3/60	29368	400	182	BHP056V^T5B-TN	29769		
BHP056V^T7B-SN	200-220/3/50	28792	400	182	BHP056V^T7B-TN	29193	BHP056V^T7B-MN	32000
BHP056V^T9B-SN	380-400/3/50	28792	400	182	BHP056V^T9B-TN	29193	BHP056V^T9B-MN	32000
BHP080V^T3B-SN	208-230/3/60	37259	635	289	BHP080V^T3B-TN	38062	BHP080V^T3B-MN	43675
BHP080V^T4B-SN	460/3/60	37259	635	289	BHP080V^T4B-TN	38062	BHP080V^T4B-MN	43675
BHP080V^T5B-SN	575/3/60	38004	635	289	BHP080V^T5B-TN	38808		
BHP080V^T7B-SN	200-220/3/50	37259	635	289	BHP080V^T7B-TN	38062	BHP080V^T7B-MN	43675
BHP080V^T9B-SN	380-400/3/50	37259	635	289	BHP080V^T9B-TN	38062	BHP080V^T9B-MN	43675
BHP097V^T3B-SN	208-230/3/60	45726	671	305	BHP097V^T3B-TN	46530	BHP097V^T3B-MN	52142
BHP097V^T4B-SN	460/3/60	45726	671	305	BHP097V^T4B-TN	46530	BHP097V^T4B-MN	52142
BHP097V^T5B-SN	575/3/60	46641	671	305	BHP097V^T5B-TN	47444		
BHP097V^T7B-SN	200-220/3/50	45726	671	305	BHP097V^T7B-TN	46530	BHP097V^T7B-MN	52142
BHP097V^T9B-SN	380-400/3/50	45726	671	305	BHP097V^T9B-TN	46530	BHP097V^T9B-MN	52142
BHP111V^T3B-SN	208-230/3/60	47489	708	322	BHP111V^T3B-TN	48293	BHP111V^T3B-MN	53905
BHP111V^T4B-SN	460/3/60	47489	708	322	BHP111V^T4B-TN	48293	BHP111V^T4B-MN	53905
BHP111V^T5B-SN	575/3/60	48439	708	322	BHP111V^T5B-TN	49242		
BHP111V^T7B-SN	200-220/3/50	47489	708	322	BHP111V^T7B-TN	48293	BHP111V^T7B-MN	53905
BHP111V^T9B-SN	380-400/3/50	47489	708	322	BHP111V^T9B-TN	48293	BHP111V^T9B-MN	53905
BHP120V^T3B-SN	208-230/3/60	49252	906	412	BHP120V^T3B-TN	50457	BHP120V^T3B-MN	58876
BHP120V^T4B-SN	460/3/60	49252	906	412	BHP120V^T4B-TN	50457	BHP120V^T4B-MN	58876
BHP120V^T5B-SN	575/3/60	50237	906	412	BHP120V^T5B-TN	51442		
BHP120V^T7B-SN	200-220/3/50	49252	906	412	BHP120V^T7B-TN	50457	BHP120V^T7B-MN	58876
BHP120V^T9B-SN	380-400/3/50	49252	906	412	BHP120V^T9B-TN	50457	BHP120V^T9B-MN	58876
BHP146V^T3B-SN	208-230/3/60	52569	961	437	BHP146V^T3B-TN	53774	BHP146V^T3B-MN	62193
BHP146V^T4B-SN	460/3/60	52569	961	437	BHP146V^T4B-TN	53774	BHP146V^T4B-MN	62193
BHP146V^T5B-SN	575/3/60	53620	961	437	BHP146V^T5B-TN	54825		
BHP146V^T7B-SN	200-220/3/50	52569	961	437	BHP146V^T7B-TN	53774	BHP146V^T7B-MN	62193
BHP146V^T9B-SN	380-400/3/50	52569	961	437	BHP146V^T9B-TN	53774	BHP146V^T9B-MN	62193
BHP168V^T3B-SN	208-230/3/60	66347	1015	461	BHP168V^T3B-TN	67552	BHP168V^T3B-MN	75971
BHP168V^T4B-SN	460/3/60	66347	1015	461	BHP168V^T4B-TN	67552	BHP168V^T4B-MN	75971
BHP168V^T5B-SN	575/3/60	67674	1015	461	BHP168V^T5B-TN	68879		
BHP168V^T7B-SN	200-220/3/50	66347	1015	461	BHP168V^T7B-TN	67552	BHP168V^T7B-MN	75971
BHP168V^T9B-SN	380-400/3/50	66347	1015	461	BHP168V^T9B-TN	67552	BHP168V^T9B-MN	75971
BHP204V^T3B-SN	208-230/3/60	73238	1480	673	BHP204V^T3B-TN	74845	BHP204V^T3B-MN	86070
BHP204V^T4B-SN	460/3/60	73238	1480	673	BHP204V^T4B-TN	74845	BHP204V^T4B-MN	86070
BHP204V^T5B-SN	575/3/60	74703	1480	673	BHP204V^T5B-TN	76309		
BHP204V^T7B-SN	200-220/3/50	73238	1480	673	BHP204V^T7B-TN	74845	BHP204V^T7B-MN	86070
BHP204V^T9B-SN	380-400/3/50	73238	1480	673	BHP204V^T9B-TN	74845	BHP204V^T9B-MN	86070
BHP230V^T3B-SN	208-230/3/60	80128	1583	720	BHP230V^T3B-TN	81735	BHP230V^T3B-MN	92961
BHP230V^T4B-SN	460/3/60	80128	1583	720	BHP230V^T4B-TN	81735	BHP230V^T4B-MN	92961
BHP230V^T5B-SN	575/3/60	81731	1583	720	BHP230V^T5B-TN	83338		
BHP230V^T7B-SN	200-220/3/50	80128	1583	720	BHP230V^T7B-TN	81735	BHP230V^T7B-MN	92961
BHP230V^T9B-SN	380-400/3/50	80128	1583	720	BHP230V^T9B-TN	81735	BHP230V^T9B-MN	92961

OPTIONAL EVAPORATOR ACCESSORIES

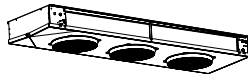
SMARTVAP

INTUITIVE EVAPORATOR CONTROL TECHNOLOGY

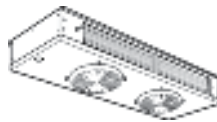
INTUITIVE EVAPORATOR CONTROL TECHNOLOGY

- Adaptive control for air and electric defrost models
- Provides enhanced system performance, energy savings and improved product integrity
- Includes: Adaptive Control Board, Electronic Expansion Valve, Liquid Line Solenoid and On-Board Display

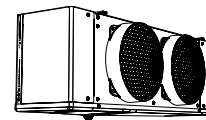
**NOW AVAILABLE AS AN OPTION ON
MOST OF OUR EXTENSIVE LINE OF EVAPORATORS**



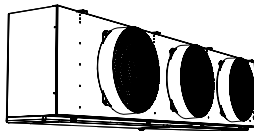
**BTM-LINE TWO-WAY
MEDIUM PROFILE**



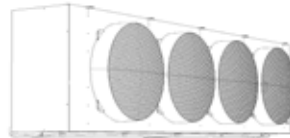
**BLV-LINE
LOW VELOCITY**



**BLP-LINE
LOW PROFILE**



**BMP-LINE
MEDIUM PROFILE**



**BEP-LINE
EXTENDED PROFILE**



**BHP-LINE
HIGH PROFILE**

LIST PRICE ADDER *

	MODEL	ADD-ON LIST PRICE
BTM	207M, 209M, 313M	NOT AVAILABLE
	204L, 206L, 209L	NOT AVAILABLE
	ALL OTHER MODELS	2829
BLV	ALL	2829
BLP	ALL	2829
BMP	ALL	4041
BEP	ALL	6068
BHP	1 - 3 FANS	6781
	4 FANS	9217

**visit www.b-rp.ca/smartvap
for product information, manuals, FAQ, videos and more!**



web: www.b-rp.ca
email: evaps@b-rp.ca
call: 1-844-893-3222 x520



2025 Refrigeration Products Price List

EFFECTIVE DATE: 31 May 2025 - SUPERCEDES: 01 MARCH 2024

OPTIONAL EVAPORATOR ACCESSORIES

MODEL	SOLVLV & COIL	TXV	PRE-ASSEMBLED EVAP		
			W/ TXV	* KE2 EVAP EFFICIENCY +TXV	* KE2 EVAP EFFICIENCY +EEV
BTM	424	601	1635	4631	6597
BLV 1-4 fan	424	601	1635	4631	6597
BLV 5 fan	485	601	1697	4693	6657
BLP 1-5 Fan	424	601	1635	4631	6597
BLP 6 Fan	485	601	1697	4693	6657
BMP - 1 Fan Models	424	817	1851	4847	7040
BMP - 2 Fan Models	424	817	1851	4847	7040
BMP - 3 Fan Models	662	1102	2375	5371	8062
BMP - 4 Fan Models	847	1602	3060	6057	9623
BEP - 1 Fan Models	817	1464	2891	4847	7040
BEP - 2 Fan Models	817	1464	2891	4847	7040
BEP - 3 Fan Models	1017	1741	3369	5371	8062
BEP - 4 Fan Models	1017	1741	3369	6057	9623
BHP - 1 Fan Models	817	1464	2891	5886	8846
BHP - 2 Fan Models	1017	1741	3369	6364	9740
BHP - 3 Fan Models	1017	1741	3369	6364	9740
BHP - 4 Fan Models	1140	1910	3661	6657	10286

PRE-ASSEMBLED EVAPORATOR ACCESSORIES

- All pre-assembled remote evaporators are shipped with a factory mounted expansion valve, liquid line solenoid and thermostat.
- A 115 volt coil is supplied with a 115 volt evaporator, all other evaporators are shipped with a 230 volt coil

KE2 THERM ACCESSORIES- Factory Installed Sensors (Not available on all models)

DESCRIPTION	PRICE
KE2TEMP + DEFROST (Air Defrost)	1301
KE2TEMP ADAPTIVE (Demand Electric Defrost)	1565

Controllers may be shipped loose or factory installed depending on evaporator model

KE2 THERM ACCESSORIES

PART NUMBER	DESCRIPTION	PRICE
1049507	KE2 ROUTER	1772
1049612	KE2 8 PORT SWITCH	781
1049508	50' ETHERNET CABLE	192
1049509	50A CONTACTOR KIT	7220

* KE2 Therm Demand Defrost Pre Assembled Packages:

- Demand Defrost with TXV package includes TXV, solenoid valve and coil, KE2 Controller and 3 KE2 temperature sensors (1x RA, 2x Coil temp)
- Demand Defrost with EEV package includes EEV, solenoid valve and coil, KE2 Controller, 4 KE2 temperature sensors (1x RA, 2x Suction Line temp) and 1 KE2 pressure transducer
- Demand Defrost Controller is Shipped Loose on BTM
- † Sensors for EEV are ordered separately as the sensor MFR must match the controller. As a result they are priced separately and MUST be added to the EEV option



2025 Refrigeration Products Price List

EFFECTIVE DATE: 31 May 2025 - SUPERCEDES: 01 MARCH 2024

OPTIONAL EVAPORATOR ACCESSORIES (cont'd)

ROOM THERMOSTATS

PART NUMBER	DESCRIPTION	PRICE
1111750	ELECTRONIC JOHNSON A421ABC-412D - FACTORY INSTALLED	749
	ELECTRONIC JOHNSON A421ABC-412D - SHIPPED LOOSE	509

DEFROST TERMINATION/ FAN DELAY THERMOSTATS

PART NUMBER	DESCRIPTION	PRICE
1048610	Combination fan delay and defrost termination thermostat. Ranco F25-209-00. Fixed fan delay setting 20 °F, adjustable termination range from 40 °F to 75 °F. 20 F.L.A. @ 240 VAC. - FACTORY INSTALLED	675
1096563	MECHANICAL JOHNSON A19ABC-97C - FACTORY INSTALLED	545

“HXR” LIQUID / SUCTION HEAT EXCHANGERS (SHIPPED LOOSE with EVAP)

PART	PACKLESS	BTUH @ +25°F		BTUH @ -20°F	PRICE
		R22 R448A R407A R407C	R404A		
1062814	HXR - 25	5,400	4,000	3,000	243
1062815	HXR - 50	9,900	8,500	5,000	264
500317	HXR - 75	14,850	12,000	7,500	326
1062816	HXR - 100	20,250	16,000	10,500	383
500318	HXR - 150	29,700	23,500	15,000	419
1045700	HXR - 250	45,900	38,000	23,000	697
1061195	HXR - 350	64,800	56,000	33,000	769
1062431	HXR - 500	88,200	74,000	45,000	1179
1062432	LHXR - 15	130,500	110,000	67,500	1660
1070420	LHXR - 20	173,250	145,000	87,500	2280
1095411	LHXR - 25	220,500	175,000	105,000	2552
1106207	LHXR - 30	254,250	220,000	135,000	2606
1095412	LHXR - 35	292,500	245,000	150,000	2765
1065492	LHXR - 40	344,250	290,000	175,000	3180

Capacities shown are approximate



2025 Refrigeration Products Price List

EFFECTIVE DATE: 31 May 2025 - SUPERCEDES: 01 MARCH 2024

OPTIONAL EVAPORATOR ACCESSORIES (cont'd)

OPTIONAL FIN MATERIALS AND COATINGS (cont'd)

MODEL	EVAPORATOR FIN MATERIALS AND COATINGS		PAINTED CABINET	STAINLESS STEEL CABINET	INSULATED DRAIN PAN
	COPPER	E-COAT			
BLV060	Consult Factory for Pricing	4046	1584	4439	2347
BLV090		4046	1584	4439	2347
BLV120		4046	1736	4530	2383
BLV150		4457	1736	4530	2383
BLV180		5172	2317	5874	2990
BLV220		5509	2317	5874	2990
BLV270		6204	2317	5874	2990
BLV300		6204	2710	6121	2990
BLV340		7175	2710	6426	3420
BLV370		7175	2710	6655	3420

BLP104M	BLP104L	BLP103V	Consult Factory for Pricing	3857	613	2086	192
BLP106M	BLP105L	BLP104V		3857	613	2086	192
BLP107M	BLP106L	BLP105V		3857	613	2086	192
BLP209M	BLP207L	BLP206V		3857	857	2448	259
BLP211M	BLP209L	BLP208V		3857	857	2448	259
BLP214M	BLP211L	BLP209V		3857	857	2448	259
BLP317M	BLP314L	BLP312V		3857	1102	2970	324
BLP320M	BLP317L	BLP315V		3857	1102	2970	324
BLP423M	BLP419L	BLP416V		6052	1346	3638	403
BLP426M	BLP422L	BLP419V		6123	1346	3638	403
BLP532M	BLP527L	BLP523V		6609	1591	4112	432
BLP639M	BLP631L	BLP627V		7094	1835	4617	499

BMP118M	BMP116L	BMP113V	Consult Factory for Pricing	6241	1460	2937	527
BMP122M	BMP119L	BMP117V		6241	1460	2937	527
BMP228M	BMP225L	BMP222V		6754	2218	3986	703
BMP236M	BMP232L	BMP228V		7212	2218	3986	703
BMP245M	BMP240L	BMP234V		7502	2218	3986	703
BMP355M	BMP348L	BMP339V		9591	2977	4950	843
BMP368M	BMP356L	BMP350V		10014	2977	4950	843
BMP480M	BMP471L	BMP459V		14067	3378	5313	913
BMP488M	-	-		14067	3378	5313	913

BEP026M	BEP023L	BEP020V	Consult Factory for Pricing	6271	1825	3728	527
BEP031M	BEP028L	BEP054V		6490	1825	3728	527
BEP038M	BEP035L	BEP030V		7652	2018	5030	703
BEP052M	BEP047L	BEP040V		8293	2018	5030	703
BEP062M	BEP056L	BEP048V		8699	2018	5030	703
BEP079M	BEP070L	BEP060V		11169	3721	6187	843
BEP093M	BEP084L	BEP072V		11761	3721	6187	843
BEP115M	BEP100L	BEP088V		16753	4223	6641	913

BHP 2 FAN UNITS	Consult Factory for Pricing	Consult Factory for Pricing	5073	10788	1435
BHP 3 FAN UNITS			5900	11071	1472
BHP 3+ FAN UNITS			7775	12737	1788
BHP 4 FAN UNITS			10326	14202	2208

COIL COATINGS

Bally Refrigeration offers various OPTIONAL coil coatings as service to our customers. As equipment can be exposed to a variety of atmospheric conditions that are beyond Bally Refrigeration's control, customers need to decide which coating best suits their application needs. All coil coatings are sold and applied by third party suppliers and while these products can extend the life and integrity of the equipment, Bally Refrigeration cannot recommend, endorse or warrant any of these products. For more information on coil coatings contact your local Bally Refrigeration representative for assistance.

Stainless Steel Cabinet Pricing includes exterior cabinet and drain pan. Inter l parts that have corrosion availability may have addition cost added. Consult factory for details.

Insulated Drain Pan consists of a second outer drain pan with insulation between the pans.



2025 Refrigeration Products Price List

EFFECTIVE DATE: 31 May 2025 - SUPERCEDES: 01 MARCH 2024

THERMOSAVER SYSTEM OPTION PRICE LIST

Note: Refer to the regular Condensing Unit and Evaporator standard price list and add on as listed below:

THERMOSAVER EVAPORATOR

Hot Gas Thermosaver evaporators include the following factory installed components:

- Hot Gas solenoid valve
- Check valve • Drain pan heater
- Service access Schrader fittings

Hot Gas Thermosaver evaporators require the following components, which are priced separately:

- Liquid line solenoid valve • TXV
- Includes fan motor contactor for three phase evap. (mounted in condensing unit panel and priced with condensing unit)
- Room thermostat

MODEL		ADD-ON LIST PRICE
BLP	1 & 2 Fan Models	CONSULT FACTORY FOR PRICING
	3 & 4 Fan Models	
	5 & 6 Fan Models	
BMP	1 Fan Models	
	2 Fan Models	
	3 Fan Models	
	4 Fan Models	
BEP	1 Fan Models	
	2 Fan Models	
	3 Fan Models	
	4 Fan Models	
BHP	2 Fan Models	
	3 Fan Models	
	4 Fan Models	

NOTE:

For further information, refer to Bulletin B40-THERM-PDI

BLC LEAD LAG CONTROL PANEL

- For use on TWO independent refrigeration systems (one system used for back-up) using pumpdown control mode. (Thermostat wired into liquid line solenoid valve).
- Panel can be mounted at the first condensing unit on indoor installations or be mounted remote inside on a wall when used with outdoor condensing units.
- The panel is designed to operate each system automatically every 24 hours or can be manually set to run either system independently.
- A shipped loose thermostat will bring the lag unit on for auxiliary cooling if the room temperature rises above it's setpoint. Alarm will activate if room temp does not lower within the specified time period.
- Indicator lights show if the system is in auxiliary cooling mode and/or if in alarm. Dry contact (10A 230V) for alarm circuit can be field wired to remote indicator (buzzer).
- The remote control panel can be easily installed and wired by installing a contactor (provided loose) to each system. Each contactor interrupts the power to the defrost clock /thermostat and liquid solenoid circuits which enables the condensing unit to pumpdown and shut down the system.
- The panel is suitable for Air defrost (with or without clock) or Hot gas systems as well as Electric defrost evaporator systems.
- Refer to the Product Data & Installation brochure for further information.

MODEL	ELECTRICAL	PRICE
BLC1-S1A	115/1/60	3264
BLC1-S2A	208-230/1/60	
BLC1-S6A	200-220/1/50	

MODEL	ELECTRICAL	PRICE
BLC2-S1A	115/1/60	6528
BLC2-S2A	208-230/1/60	
BLC2-S6A	200-220/1/50	

NOTE:

- Additional lead-lag control panels available (consult factory for details)
- Lead-lag control panels available for KE2 controllers (consult factory for details)

PRODUCT SUPPORT RESOURCES

 <p>PRODUCT SUPPORT</p>	<p><i>web:</i> b-rp.ca/support <i>email:</i> evaps@b-rp.ca <i>call:</i> 1-844-893-3222 x526</p>
 <p>TROUBLESHOOTING</p>	<p><i>email:</i> troubleshooting@b-rp.ca <i>call:</i> 1-844-893-3222 x529</p>
 <p>SERVICE PARTS</p>	<p><i>web:</i> b-rp.ca/parts <i>email:</i> parts@b-rp.ca <i>call:</i> 1-844-893-3222 x504</p>
 <p>WARRANTY</p>	<p><i>web:</i> b-rp.ca/warranty <i>email:</i> warranty@b-rp.ca <i>call:</i> 1-844-893-3222 x507</p>
 <p>ORDERS</p>	<p><i>email:</i> orders@b-rp.ca <i>call:</i> 1-844-893-3222 x501</p>
 <p>SHIPPING</p>	<p><i>email:</i> shipping@b-rp.ca <i>call:</i> 1-844-893-3222 x503</p>