

GWN7710R

6-Port Outdoor L2 Lite Managed Switch

Quick Installation Guide

Grandstream Networks, Inc.

126 Brookline Ave, 3rd Floor
 Boston, MA 02215. USA
 Tel : +1 (617) 566 - 9300

www.grandstream.com



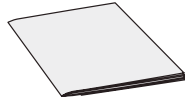
For Certification, Warranty and RMA information, please visit:
www.grandstream.com



GWN7710R Switch
交换机 / Commutateur
Коммутатор



4x Assembled screws
组合螺丝
Tornillos de Ensamblaje
Vis assemblées
Montageschrauben
Viti di assemblaggio
Parafusos montados
Крепежные винты
Βίδες συναρμολόγησης
Láp vít



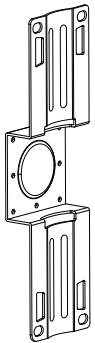
1x Quick Installation Guide
快速安装手册 / Guía de
instalación Rápida Guide
d'installation rapide
Kurzinstructionsanleitung
Guida installazione rapida
Guia de Instalação Rápida
Руководство по быстрой
установке / Οδηγός γρήγορης
εγκατάστασης
hướng dẫn nhanh



4x Expansion screws
膨胀螺丝 / Tornillos de
expansión / Vis d'expansion
MontageSchrauben
Viti di espansione
Parafusos de expansão
Μεταλλικές χомуты
Βίδες διαστολής
Vít mở rộng



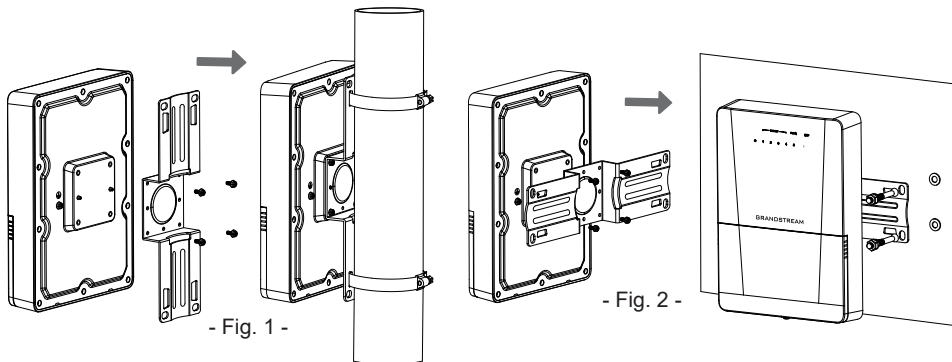
2x Metal Straps
捆带 / Correas metálicas
Sangles métalliques
Metallbügel / Supporti di
metallo / Correias metálicas
Μεταλλικές χомуты
Μεταλλικοί ιμάντες
Dây đeo kim loại



1x Rack-mounting Standard Brackets
安装支架
Soportes estándar para montaje en rack
Supports standard pour montage en rack
Standardhalterungen für die Gestellmontage
Staffe standard per montaggio su rack
Suportes padrão para montagem em rack
Μонтаж в стойку Стандартные Кронштейны
Τυπικό στήριγμα τοποθέτησης
Giá đỡ tiêu chuẩn

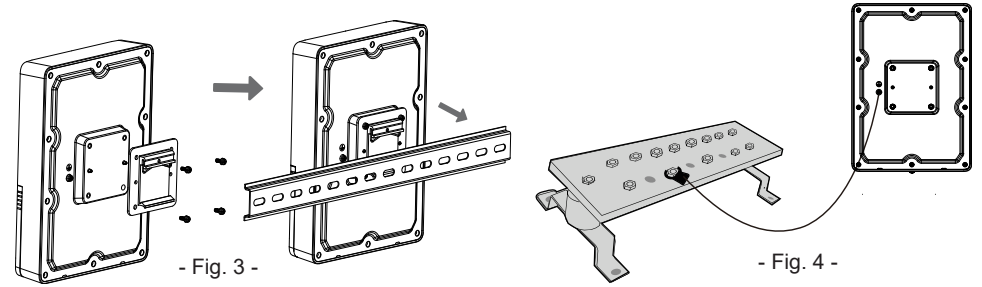


1x Phoenix Connector
凤凰接线端子
Conector Phoenix
Connecteur Phoenix
Phoenix-Anschluss
Connettore Phoenix
Conector Phoenix
Разъем Phoenix
Σύνδεσμος Phoenix
Đầu nối Phoenix



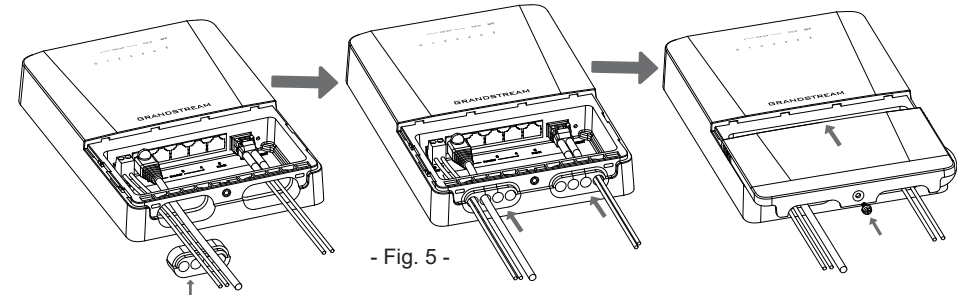
- Fig. 1 -

- Fig. 2 -



- Fig. 3 -

- Fig. 4 -



- Fig. 5 -

Pole Mount (FIG .1)

1. Attach the bracket to the back of the unit using the assembled screws.
2. Open the metal straps by turning the locking mechanism counter-clockwise. You can loosen it by hand or use a flathead screwdriver.
3. Straighten out the end of the metal straps and slide it through the back of the bracket.
4. Wrap the metal strap around the pole and use a flathead screwdriver to tighten the locking mechanism by turning it clockwise.

Wall Mount (FIG .2)

1. Rotate the bracket 90° and attach it horizontally on the back of the device with assembled screws.
2. Drill four holes on the wall referring to the positions of the ones on the bracket. Then, fix an expansion screw in each hole.
3. Attach the device by securing the bracket with the expansion screws on the wall.

DIN-Rail Mount (FIG .3)

1. Attach the DIN-Rail bracket with screws on the back of the device.
2. Clamp the DIN-Rail bracket to the universal guide rail.

Note: DIN-Rail bracket is not provided.

Grounding the Switch (FIG .4)

1. Remove the ground screw from the back of the device, and connect one end of the ground cable to the wiring terminal of the device.
2. Put the ground screw back into the screw hole, and tighten it with a screwdriver.
3. Connect the other end of the ground cable to other device that has been grounded or directly to the terminal of the ground bar in the equipment room.

Note: Ground cable is not provided.

Cable Installation (FIG .5)

1. Insert the cable through the hole under the device housing and connect it to the corresponding interface, then insert the other end of the cable into the waterproof silicone plug.
2. Insert the waterproof silicone plug into the designated position under the device housing.
3. Push the anti-water shell in the direction of the arrow until the bottom shell is completely closed, and then use screws to fix it.

ACCESS & CONFIGURE

Note: If no DHCP server is available, the GWN7710R default IP address is 192.168.0.254.

Method 1: Login using the Web UI

1. A PC uses a network cable to correctly connect any RJ45 port of the switch.
2. Set the Ethernet (or local connection) IP address of the PC to 192.168.0.x (“x” is any value between 1-253), and the subnet mask to 255.255.255.0, so that it is in the same network segment with switch IP address. If DHCP is used, this step could be skipped.
3. Type the switch’s management IP address http://<gwn7710R_IP> in the browser, and enter username and password to login. (The default administrator username is “admin” and the default random password can be found at the sticker on the GWN7710R switch).

Method 2: Configure using GWN.Cloud / GWN Manager

Type <https://www.gwn.cloud> (https://<gwn_manager_IP> for GWN Manager) in the browser, and enter the account and password to login the cloud platform. If you don’t have an account, please register first or ask the administrator to assign one for you. To add GWN switch to GWN.Cloud/GWN manager refer to online documentation: <https://documentation.grandstream.com>

LED INDICATOR

LED Indicator	Status		Description
Power	Green	Off	Power off
		On	System power on
	Red	On	Low temperature starting
PoE Out Port	Green	On	Link
		Flashing	Active
	Orange	On	48VDC PoE output; (Force on when passive PoE mode)
		1S On 1S Off	48VDC PoE output overload/Short-circuit
	Blue	On	24VDC PoE output; (Force on when passive PoE mode)
		1S On 1S Off	24VDC PoE output overload/Short-circuit
PoE In Port	Green	On	Link
		Flashing	Active
	Orange	On	Powered by PoE In
SFP	Green	On	Link
		Flashing	Active