



# CG75

## RGB MIDDLE TOWER CASE

### What's included in the box

1. FANTECH CG75 RGB Middle Tower Case
2. Tempered Glass
3. Screw & Tools
4. User manual

### Motherboard Compatibility

1. ATX
2. MINI - ITX
3. MICRO - ATX

**USER MANUAL**

### Instruction Manual

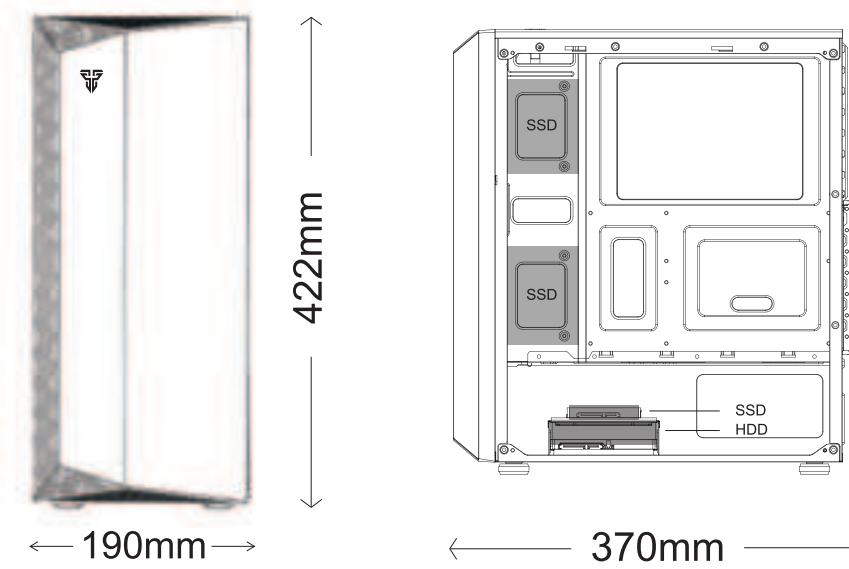
Thank you for the purchase of FANTECH CG75 Middle Tower Case.

FANTECH CG75 has an unique LED front, and the panel is designed with a clean surface, a striking tempered glass side panel, now enjoy your high quality PC case.

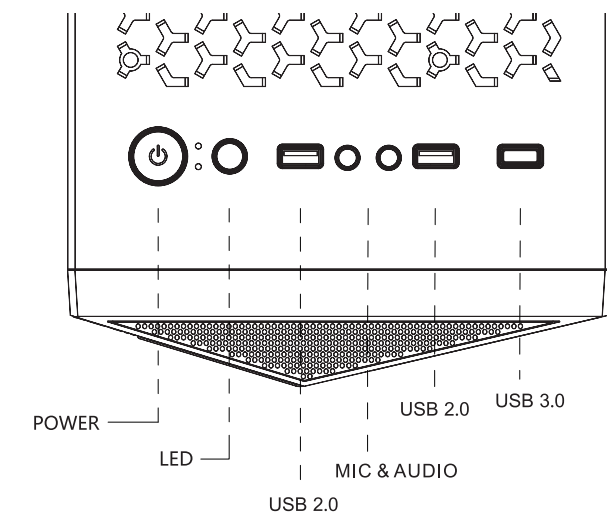
### Technical Specification

Model: CG75  
 Color: Black, Pink, White  
 VGA card length: 300mm (max)  
 Front USB port: 1\*USB3.0, 2\*USB2.0  
 CPU height: 155mm(max)  
 Size:370X190X422 mm  
 Fan compatibility: 3\*120mm front fan,  
 1\*120mm rear fan,  
 2\*120mm top fan  
 Internal driver bays: 3\*SSD and 1\*HDD  
 Illumination : 15 RGB spectrum modes

### CG75 Size

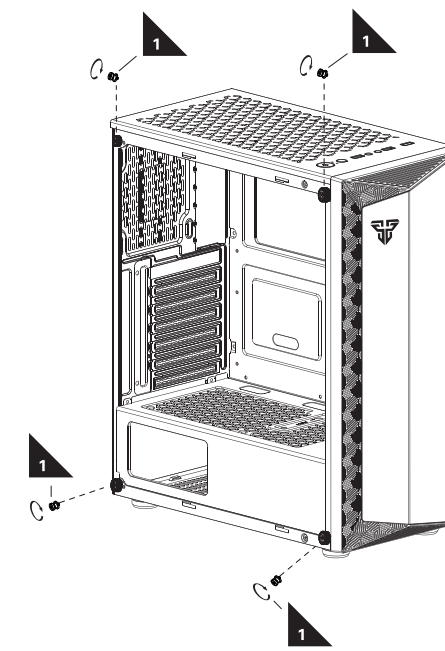


### Front Support

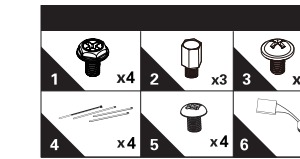


\*Long press LED Button 3 second for switching to RGB sync mode

### Installing Tempered Glass

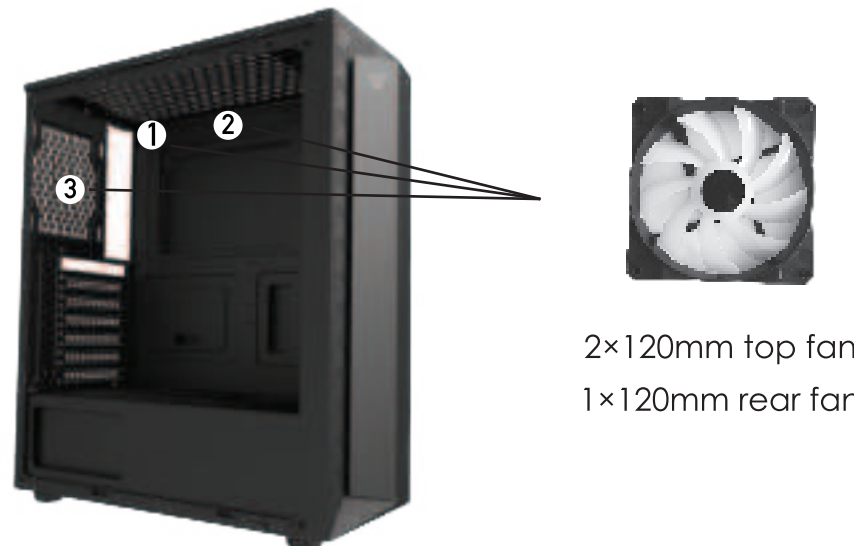


### Package Content

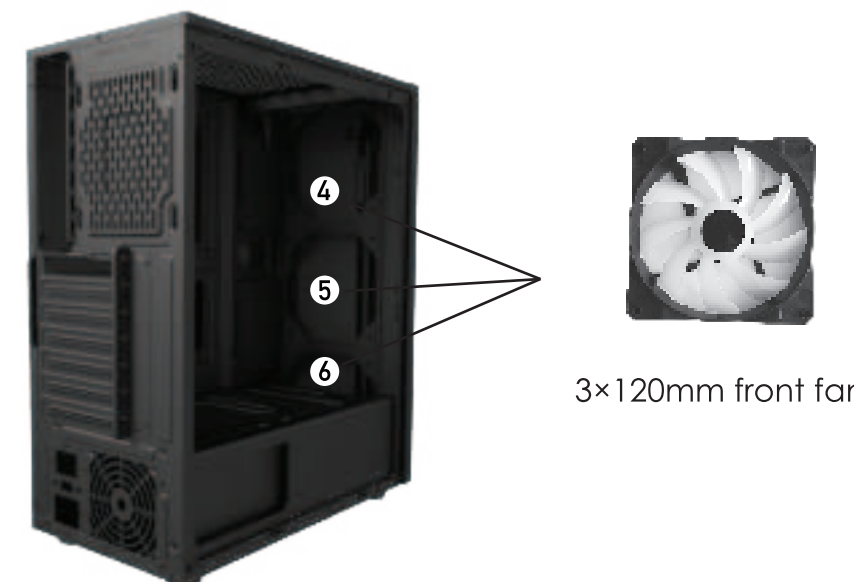


正面

### Installing fan



2x120mm top fan  
 1x120mm rear fan



3x120mm front fan

\*Fan are not included in the PC case and need to be purchased separately.  
 \*In order to achieve the best performance of the PC case, is recommended to use our Fantech Fan and accessories.

EN

### Warning

- \* This tower case consist tempered glass material, please be careful when modify the internal parts.
- \* Clean using only with dry cloth. Do not use alcohol or detergent.
- \* Keep away from fire or any heat more than allowed operating and storage condition.

### Operating conditions

1. Operating temperature: -25°C ~ 45°C ± 10°C
2. Storage temperature: -40°C ~ 70°C ± 10°C
3. Operating humidity: 10 - 90% rh
4. Storage humidity: -5 - 95% rh

Fantech is the leading manufacturer of peripherals for computer gamers. Our products include a range of headsets, keyboards, and mice to mousepad which are developed to ensure superior design performance, comfort and durability. Check our website [www.fantechworld.com](http://www.fantechworld.com) for product support. The Fantech logo and other Fantech marks are owned and registered by Trends Electronic Co. Ltd. in several countries. Windows and the Windows logo are trademarks of the Microsoft group of companies. All other trade names and logo are registered trademarks of their respective owner. For commercial inquiries please visit us on [www.fantechworld.com](http://www.fantechworld.com).

背面