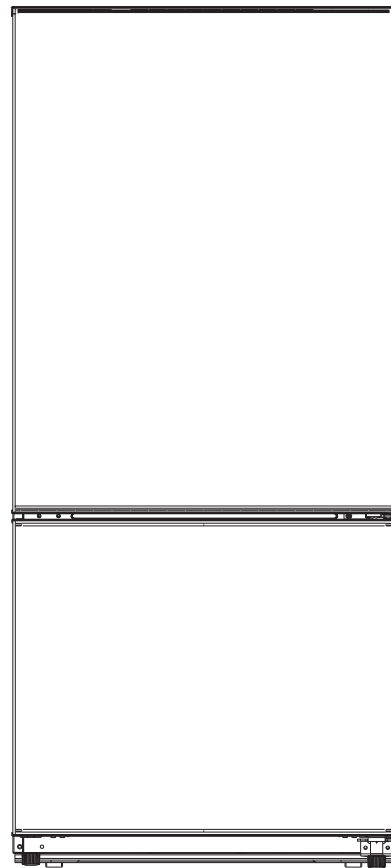


**INSIGNIA™**

# 18.6 Cu. Ft. Bottom Mount Refrigerator

NS-RBM18SS0/NS-RBM18SS0-C/NS-RBM18WH0-C



Before using your new product, please read these instructions to prevent any damage.



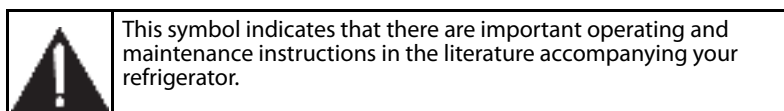
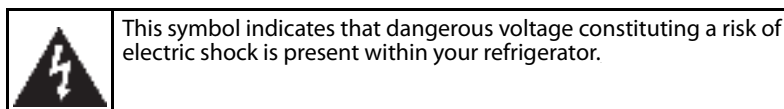
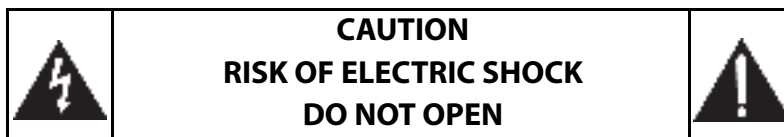
## Contents

Introduction .....	2
IMPORTANT SAFEGUARDS .....	3
Grounding requirement .....	4
Features .....	5
Package contents .....	5
Dimensions .....	5
Exterior .....	6
Interior .....	7
Before using your refrigerator .....	7
Finding a suitable location .....	7
Providing correct ventilation .....	8
Providing the correct power source .....	9
Leveling your refrigerator .....	9
Reversing the refrigerator door .....	10
Using your refrigerator .....	14
Using the control panel .....	14
Setting the refrigerator temperature .....	14
Setting the freezer temperature .....	15
Adjusting the refrigerator shelves .....	15
Adjusting the refrigerator shelves .....	15
Adjusting the door trays .....	15
Removing the crispers .....	16
Maintaining your refrigerator .....	16
Cleaning your refrigerator .....	16
Defrosting your refrigerator .....	16
Shutting down your refrigerator for several months or more .....	16
Moving your refrigerator .....	17
Tips on saving energy .....	17
Tips on storing food .....	17
Tips for shopping for frozen foods .....	17
Troubleshooting .....	18
Specifications .....	19
ONE-YEAR LIMITED WARRANTY .....	20

## Introduction

Congratulations on your purchase of a high-quality Insignia product. Your NS-RBM18SS0, NS-RBM18SS0-C, or NS-RBM18WH0-C represents the state of the art in bottom mount refrigerator design and is designed for reliable and trouble-free performance.

# IMPORTANT SAFEGUARDS



## WARNING

- 1 Read these instructions.
- 2 Keep these instructions.
- 3 Heed all warnings.
- 4 Follow all instructions.
- 5 Do not use your refrigerator near water.
- 6 Clean only with a damp cloth.
- 7 Do not block any ventilation openings. Install in accordance with the manufacturer's instructions.
- 8 Do not install near any heat sources, such as radiators, heat registers, stoves, or other apparatus (including amplifiers) that produce heat.
- 9 Do not defeat the safety purpose of the polarized or grounding-type plug. A polarized plug has two blades with one wider than the other. A grounding type plug has two blades and a third grounding prong. The wide blade or the third prong are provided for your safety. If the provided plug does not fit into your outlet, consult an electrician for replacement of the obsolete outlet.
- 10 Protect the power cord from being walked on or pinched, particularly at plugs, convenience receptacles, and the point where it exits from your refrigerator.
- 11 Do not attempt to modify or extend the power cord of your refrigerator.
- 12 Unplug your refrigerator during lightning storms or when it will not be used for long periods of time.
- 13 Make sure that the available AC power matches the voltage requirements of your refrigerator.
- 14 Do not handle the plug with wet hands. This could result in an electric shock.
- 15 Unplug the power cord by holding the plug, never by pulling the cord.
- 16 Turn off your refrigerator before unplugging it.
- 17 Refer all servicing to qualified service personnel. Servicing is required when your refrigerator has been damaged in any way, such as the power-supply cord or plug is damaged, liquid has been spilled or objects have fallen into your refrigerator, your refrigerator has been exposed to rain or moisture, does not operate normally, or has been dropped.
- 18 To reduce the risk of fire or electric shock, do not expose your refrigerator to rain, moisture, dripping, or splashing, and no objects filled with liquids should be placed on top of it.
- 19 Do not use extension cords or ungrounded (two prong) adapters. If the power cord is too short, have a qualified electrician install an outlet near your refrigerator. Use of an extension cord can negatively affect your refrigerator's performance.
- 20 Your refrigerator is not intended for use by persons (including children) with reduced physical, sensory, or mental capabilities, or lack of experience and knowledge, unless they have been given supervision or instruction concerning use of your refrigerator by a person responsible for their safety.
- 21 Children should be supervised to ensure that they do not play with your refrigerator.
- 22 If the power cord is damaged, it must be replaced by the manufacturer, its service agent, or similarly qualified person, in order to avoid a hazard.

**WARNING****Electric Shock Hazard**

**Failure to follow these instructions can result in electric shock, fire, or death.**

- 1 **WARNING**—Keep ventilation openings, in both your refrigerator and the built-in structure, clear of obstruction.
- 2 **WARNING**—Do not touch the interior of your refrigerator with wet hands. This could result in frostbite.
- 3 **WARNING**—Do not use mechanical devices or other means to accelerate the defrosting process, other than those recommended by the manufacturer.
- 4 **WARNING**—Do not damage the refrigerant circuit.
- 5 **WARNING**—Do not damage the refrigerant tubing when handling, moving, or using your refrigerator.
- 6 **WARNING–DANGER**—Never allow children to play with, operate, or crawl inside your refrigerator.  
**Risk of child entrapment.** Before you throw away your old refrigerator:
  - Take off the door.
  - Leave the shelves in place so that children may not easily climb inside.
- 7 **WARNING**—Do not use electrical appliances inside the food storage compartments of the appliance unless they are of the type recommended by the manufacturer.
- 8 **WARNING**—Connect to potable water supply only.
- 9 Unplug your refrigerator before carrying out user maintenance on it.
- 10 If a component part is damaged, it must be replaced by the manufacturer, its service agent, or similar qualified persons in order to avoid a hazard.
- 11 Follow local regulations regarding disposal of your refrigerator due to flammable refrigerant and gas. All refrigeration products contain refrigerants, which under the guidelines of federal law must be removed before disposal. It is the consumer's responsibility to comply with federal and local regulations when disposing of this product.
- 12 Do not store explosive substances such as aerosol cans with a flammable propellant in this appliance.
- 13 This appliance is intended to be used in household and similar applications such as
  - Staff kitchen areas in shops, offices, and other working environments
  - Farm houses and by clients in hotels, motels, and other residential type environments
  - Bed and breakfast type environments
  - Catering and similar non-retail applications
- 14 Minimum/Maximum inlet water pressure – 138/827 kPa (20/120 PSIG).

**Grounding requirement**

Your refrigerator must be grounded. Your refrigerator is equipped with a cord having a grounding wire with a grounding plug. The plug must be inserted into an outlet that is correctly installed and grounded.

Incorrect use of the grounding plug can result in a risk of electric shock. Consult a qualified electrician or service person if the grounding instructions are not completely understood, or if doubt exists as to whether your refrigerator is correctly grounded.

## SAVE THESE INSTRUCTIONS

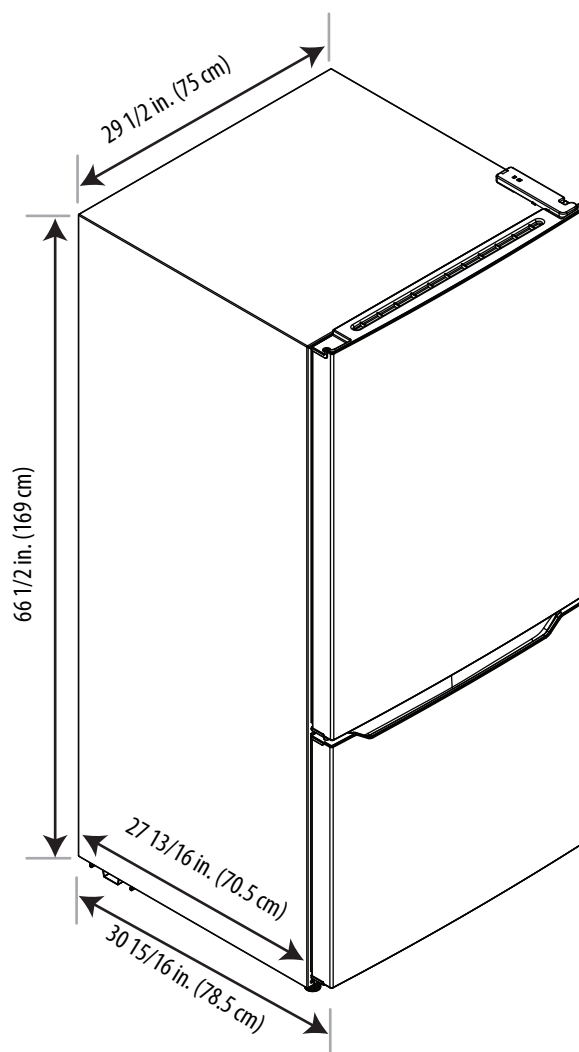
## Features

- Bottom Freezer Drawer with two drawers for easy organization
- Ice-Maker Ready (Compatible with Insignia Ice Maker NS-ICEF2W2 - not included)
- Reversible Door
- Frost Free Design

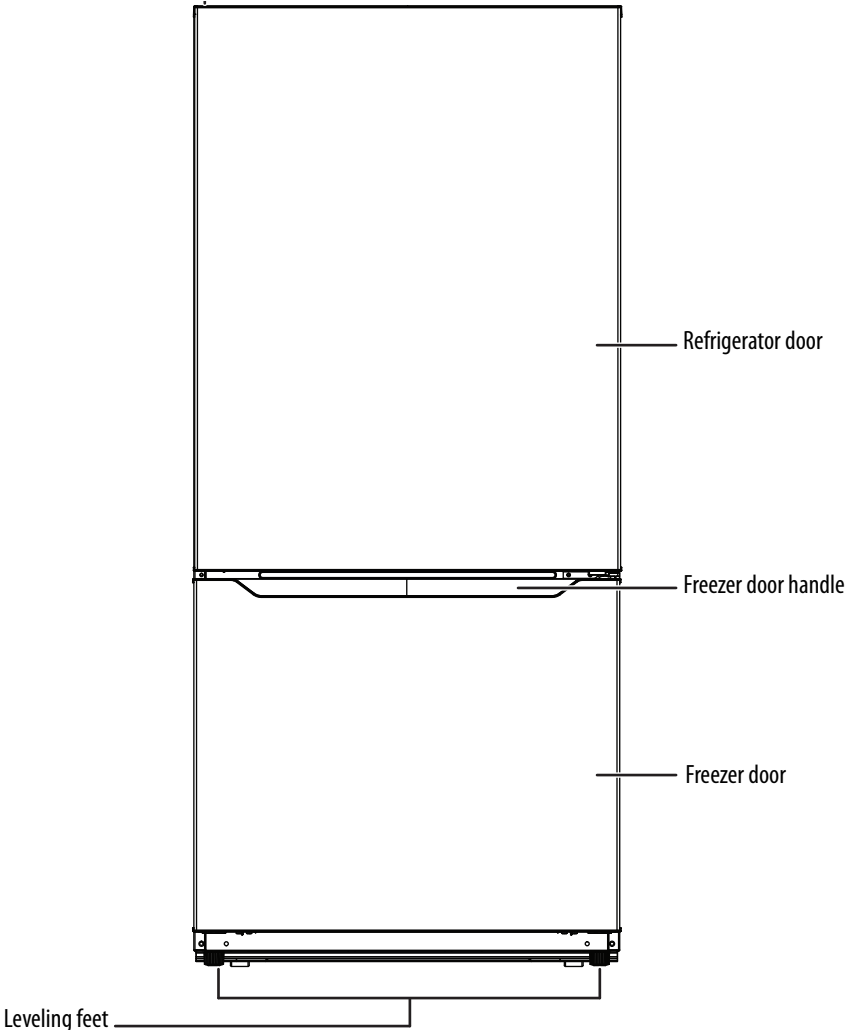
## Package contents

- 18.6 Cu. Ft. Refrigerator
- Accessory bag (door change parts)
- *User Guide*

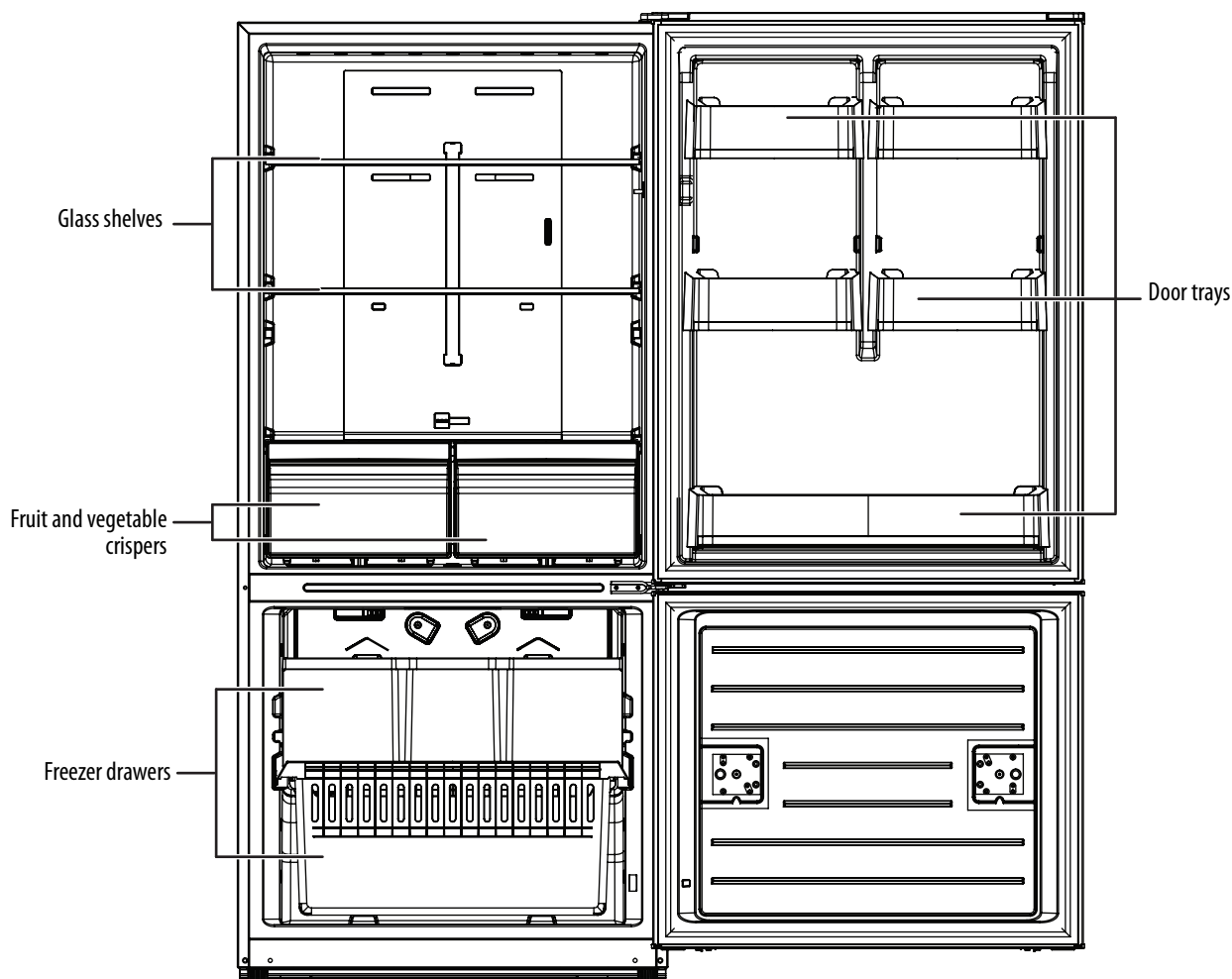
## Dimensions



Exterior



## Interior



## Setting up your refrigerator

### Before using your refrigerator

- Remove the exterior and interior packaging.
- Wash the inside with a damp, warm cloth and a baking soda solution (two tablespoons in a quart of water), then wipe dry with a dry cloth. Do this periodically to keep your refrigerator looking new.
- Level your refrigerator using the leveling feet. If you do not level your refrigerator, the door may not close or seal correctly, causing cooling, frost, and moisture problems. Turn the leveling feet clockwise to raise or counterclockwise to lower a side.

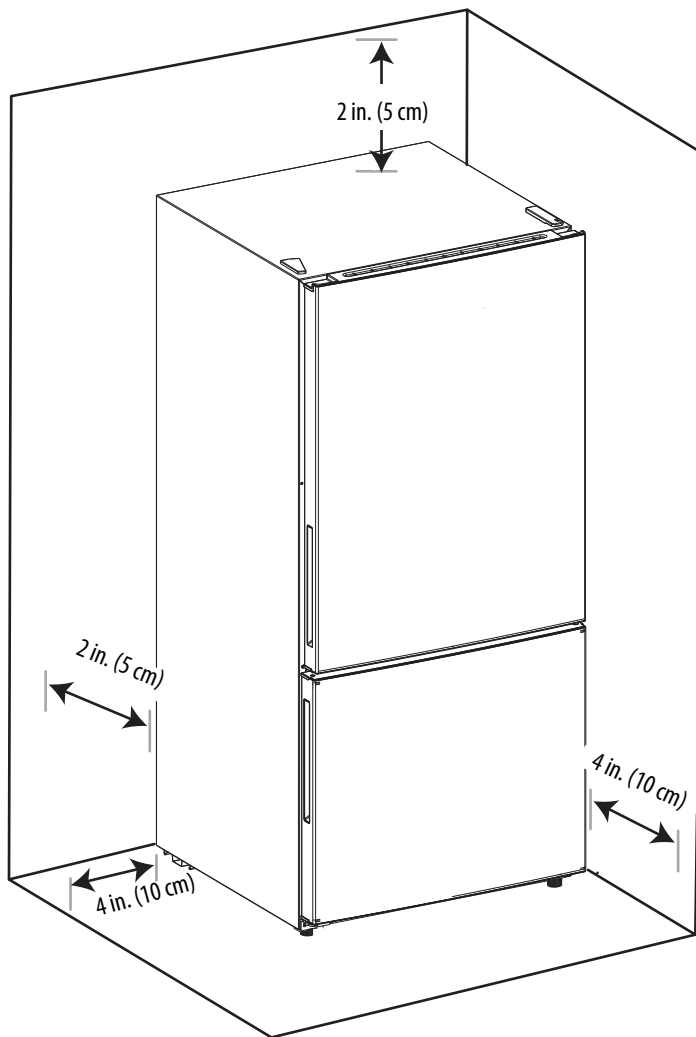
### Finding a suitable location

- Place your refrigerator on a floor that is strong enough to support it when fully loaded.
- Do not install your refrigerator on carpeting or a rug.
- Your refrigerator is designed to be free standing and should not be recessed or built-in.
- Do not install your refrigerator in a garage or any other outside installation.
- Adjust the feet to keep your refrigerator level.
- If you locate your refrigerator next to a fixed wall, allow sufficient space on the hinge side for the door to swing open.
- Position your refrigerator away from direct sunlight and sources of heat, such as a stove, heater, or radiator. Direct sunlight may affect the acrylic coating and heat sources may increase electrical consumption. Extremely cold temperatures may also prevent your refrigerator from performing correctly.
- Avoid locating your refrigerator in moist areas.

Your refrigerator is designed to operate in a temperature range between 50°F (10°C) and 109°F (43°C). If you operate your refrigerator outside this temperature range, your refrigerator may not work correctly.

**Providing correct ventilation**

Allow at least 4 in. (10 cm) between the left and right sides of your refrigerator and surrounding walls, at least 2 in. (5 cm) between the top of your refrigerator and the ceiling, and at least 2 in. (5 cm) between the back of your refrigerator and the wall.





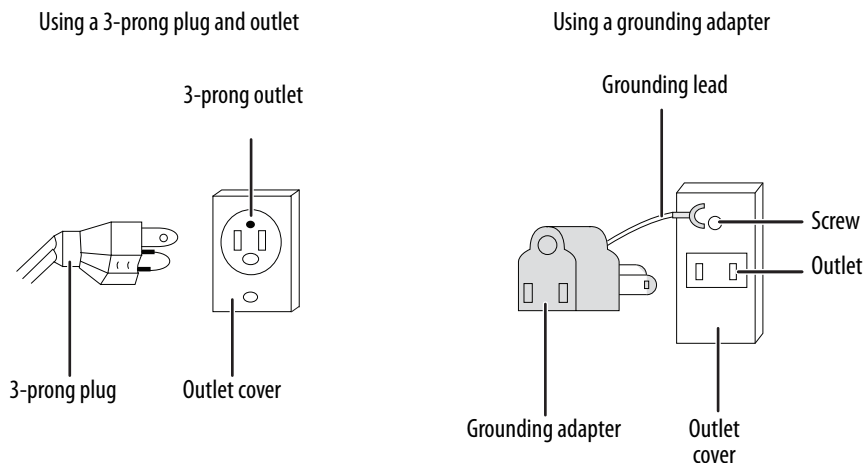
## Providing the correct power source

Check your local power source. Your refrigerator requires a 115V, 60Hz power supply.

### WARNINGS:

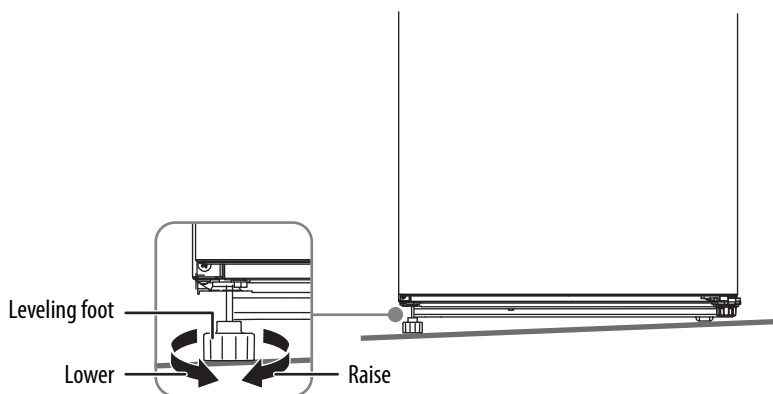
Make sure that:

- The power outlet accepts a 3-prong grounding plug. The third prong on the power cord plug grounds your refrigerator to minimize the possibility of electric shock. Do not modify the power plug.
- You do NOT plug anything else into the same power outlet as your refrigerator. You may overload the circuit which can cause a fire.
- You do NOT use an extension cord. If your refrigerator is too far from the power outlet, move your refrigerator or have an electrician install a plug closer to your refrigerator.
- The power outlet cannot be turned off with a switch or pull string.



## Leveling your refrigerator

Leveling your refrigerator is important. If you do not level your refrigerator during installation, the doors may not close or seal correctly which can cause cooling, frost, or moisture problems.



- Rotate the leveling feet clockwise (to raise) your refrigerator or counterclockwise (to lower).

**Note:** To make it easier to adjust the feet, have someone push against the top of your refrigerator to tilt it slightly.

## Installing an optional ice maker

This refrigerator comes set up for ice maker installation and is compatible with Insignia NS-ICEF2W2 ice maker (not included).

## Reversing the refrigerator door

**CAUTION:** If you lay your refrigerator on its back or side for any length of time, wait for six hours after you stand it up again before you plug it in. Otherwise, you may damage internal components.

You will need the following tools to reverse the refrigerator door:



5/16" socket wrench



Phillips screwdriver



Straight blade screwdriver



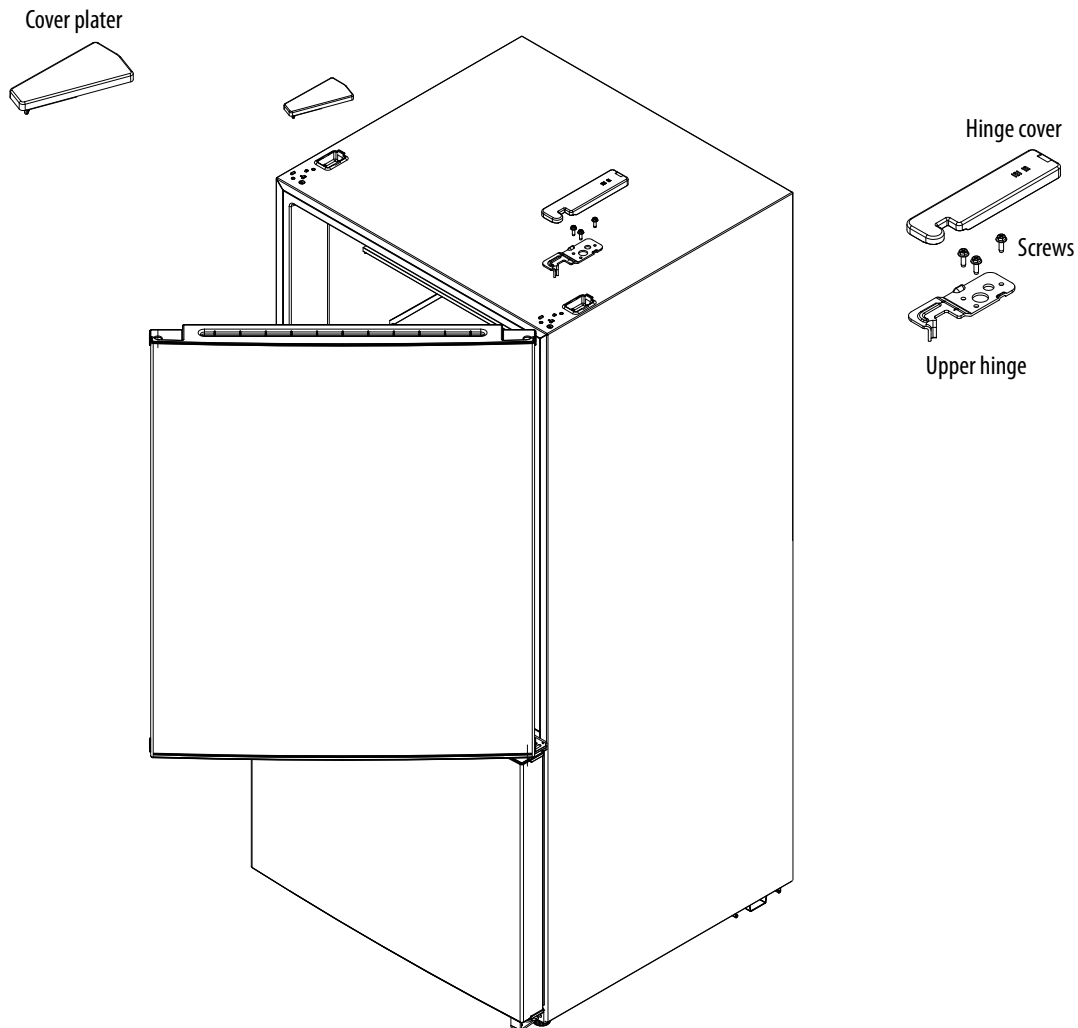
Putty knife

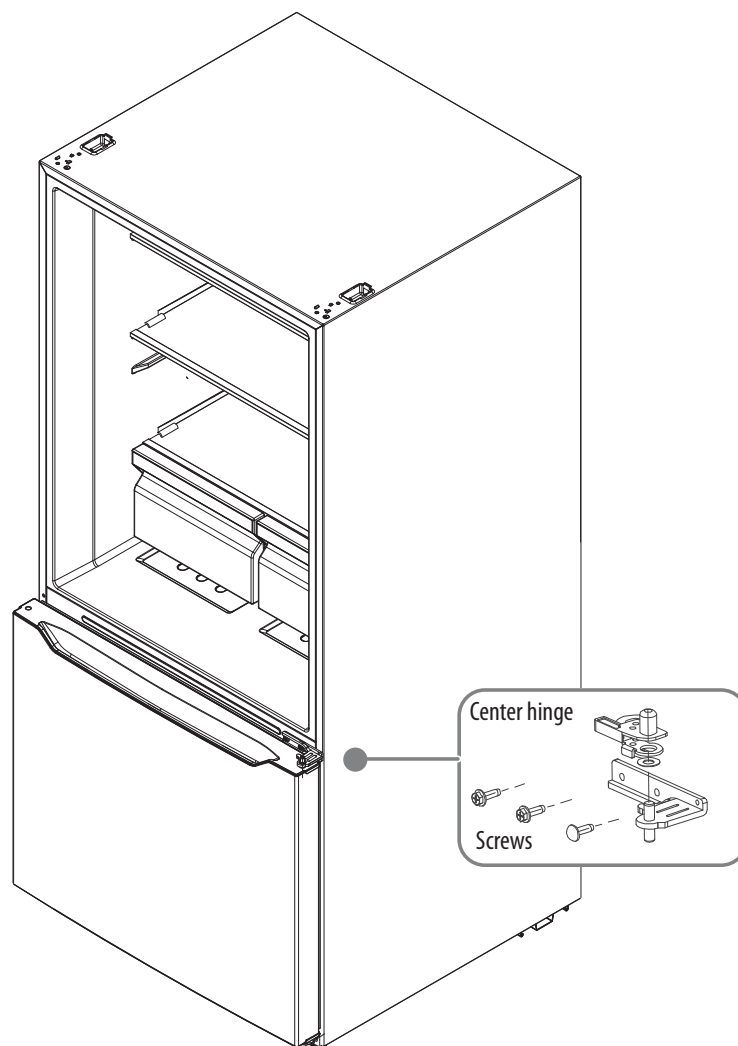


Masking tape

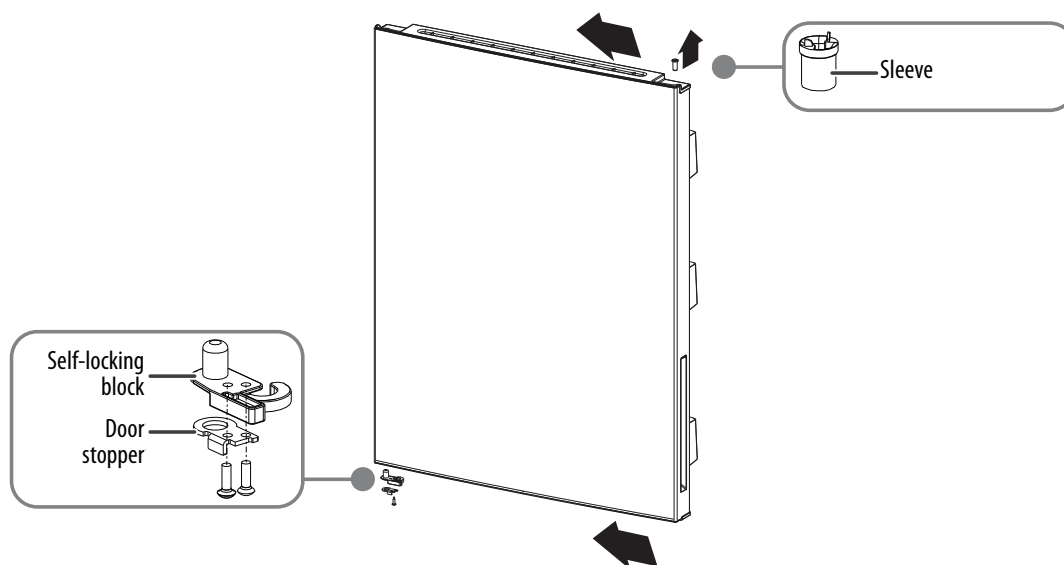
The following parts are included in the accessory bag that came with your refrigerator:

- Left-side self-locking block
  - Left-side stopper
  - Left-side top hinge
  - Left-side top hinge cover
- 1 Make sure that your refrigerator is unplugged and empty.
  - 2 Pry the left cover plate and right top hinge cover from the top of the refrigerator.
  - 3 Remove the three screws that secure the right side upper hinge to the refrigerator, then remove the hinge. Save the screws to reuse.
  - 4 Remove the refrigerator compartment door from the cabinet.

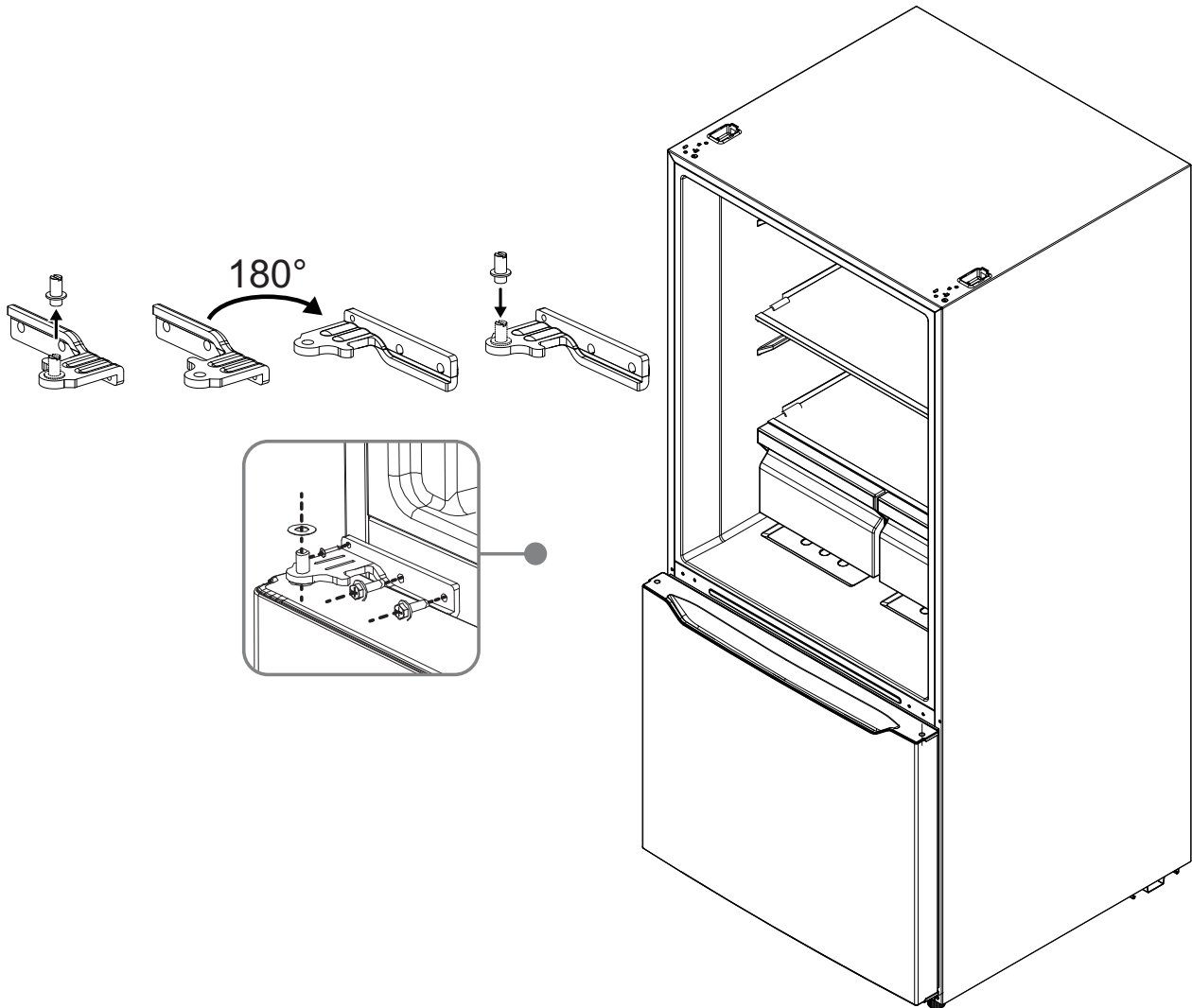




- 5 Remove the three screws that secure the center hinge to the refrigerator, then remove the center hinge. Save the screws to reuse.
- 6 Remove the sleeves and hole caps from the right side of the refrigerator door, then install them in the opposite side of the door.
- 7 Take the left-side self-locking block and stopper from the accessory bag and install them in the bottom left side of the refrigerator door as shown below.

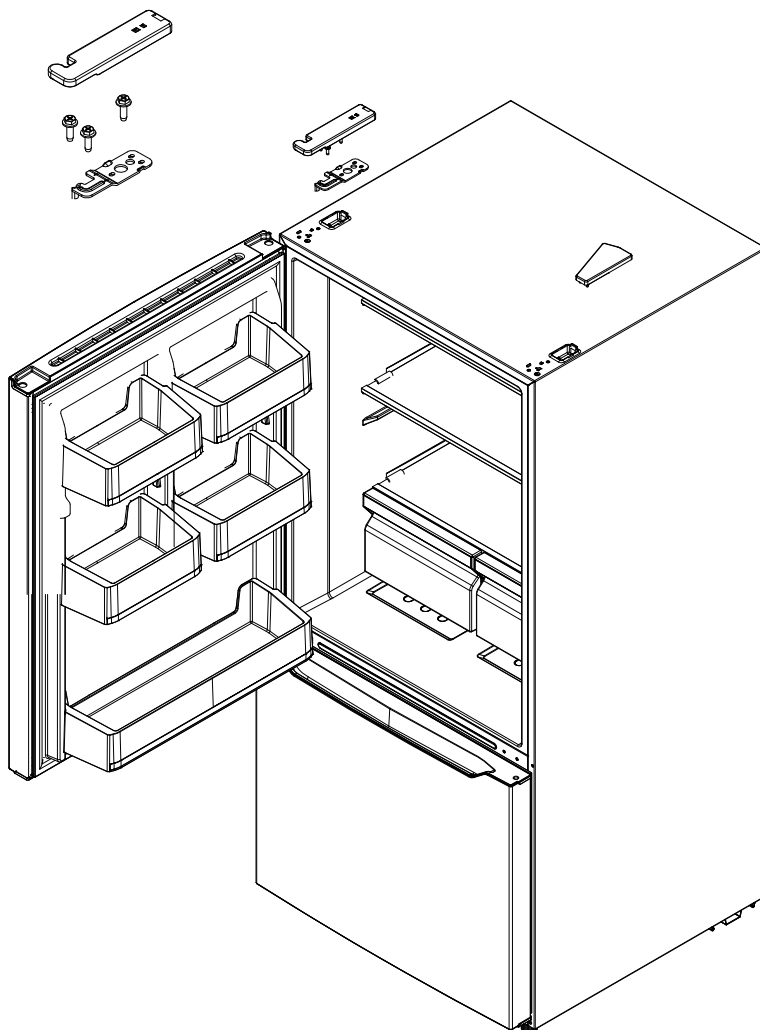


- 8 Remove the pin from the center hinge with a flat-head screwdriver, turn the hinge over and install the hinge pin on opposite side of the hinge, then install the hinge to the left side of refrigerator with the screws you removed in step 5. Put the included washer on the top middle hinge pin.



- 9 Insert the door stopper on the bottom left side of the refrigerator door onto the hinge pin you installed in the middle left side of the refrigerator.

- 10** Take the left-side top hinge from the accessory bag and install it on the top left side of the refrigerator with the screws you previously removed, and the hinge pin in the door sleeve of the refrigerator door.



- 11** Install the hinge cover on the left side of the refrigerator and the hole cover on the right side.

# Using your refrigerator

**CAUTIONS:**

- Internal temperatures can vary based on the location of your refrigerator, the ambient room temperature, and how often you open the doors.
- Do not store carbonated drinks in the freezer compartment. They may break and damage your refrigerator.
- Do not exceed the storage times recommended by the food manufacturers for any kind of food.

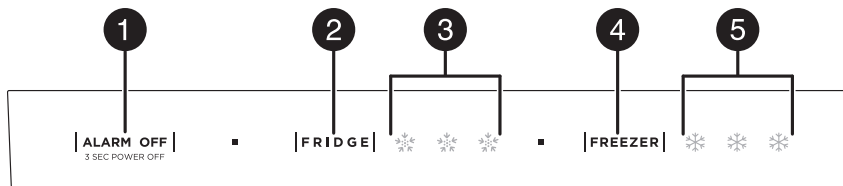
When you plug in your refrigerator for the first time, the temperature indicator lights solid for three seconds, then your refrigerator runs at mid range by default.

Before storing foods in your refrigerator, turn on the refrigerator and freezer compartments, then wait for 24 hours to make sure that they are working correctly and to let both compartments reach the correct temperatures.

**Turning off the open door alarm**

When the refrigerator compartment door is open for more than three minutes, an alarm sounds. Press the **ALARM OFF** button in the refrigerator compartment to turn off the alarm. When you close the door, the alarm turns off.

**Using the control panel**



NO.	ITEM	DESCRIPTION
1	<b>ALARM OFF</b> /power off/power on button	<ul style="list-style-type: none"> <li>• Press to turn off the door alarm.</li> <li>• Press and hold for three seconds to turn the refrigerator/freezer to standby mode. Press and hold for three seconds to turn the refrigerator/freezer back on.</li> </ul>
2	<b>FRIDGE</b> button	Press to cycle through the refrigerator temperature settings.
3	Fridge indicators	One to three lights indicate the refrigerator temperature settings. <ul style="list-style-type: none"> <li>• One light = 45° F (7° C)</li> <li>• Two lights = 39° F (4° C)</li> <li>• Three lights = 36° F (2° C)</li> </ul>
4	<b>FREEZER</b> button	Press to cycle through the freezer temperature settings.
5	Freezer indicators	One to three lights indicate the freezer temperature setting. <ul style="list-style-type: none"> <li>• One light = 9° F (-13° C)</li> <li>• Two lights = -2° F (-19° C)</li> <li>• Three lights = -8° F (-22° C)</li> </ul>

**STANDBY mode**

If you set your refrigerator compartment to STANDBY mode, the refrigerator and freezer compartments both stop cooling.

**CAUTION:** When you set your refrigerator compartment to STANDBY mode, remove all foods in both compartments to avoid spoilage.

**Setting the refrigerator temperature**

- Press the **FRIDGE** button to cycle through the refrigerator temperature settings. One light provides the warmest temperature. Three lights provides the coldest temperature.

**Determining the best temperature mode**

SEASON	SUGGESTED SETTINGS
In summer (higher than 95° F (35° C))	One light
Spring or fall (from 56° to 94° F (13° to 34° C))	One to three lights
In winter (lower than 55° F (13° C))	Three lights

## Setting the freezer temperature

- Press the **FREEZER** button to cycle through the freezer temperature settings. One light provides the warmest temperature. Three lights provides the coldest temperature.

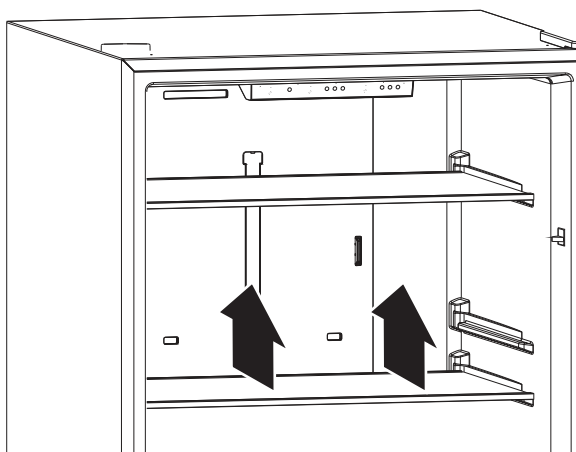
## Determining the best temperature mode

SEASON	SUGGESTED SETTINGS
In summer (higher than 95° F (35° C))	Three lights
Spring or fall (from 56° to 94° F (13° to 34° C))	One to three lights
In winter (lower than 55° F (13° C))	One light

## Adjusting the refrigerator shelves

The shelves inside the refrigerator and freezer compartments are adjustable.

- Open the refrigerator or freezer compartment door all the way.
- Lift a shelf, then pull it out.



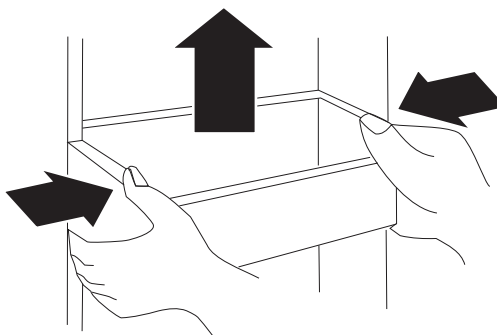
- To replace a shelf, slide it into the compartment, then lower it into position.

## Adjusting the door trays

**CAUTION:** Do not put too many heavy items in the door trays. You may break the trays.

The refrigerator and freezer compartments have door trays. You can adjust a tray to fit the items you want to store.

- Remove all items from a tray.
- Hold the door tray with two hands, then squeeze the tray together and push it upward and remove it.

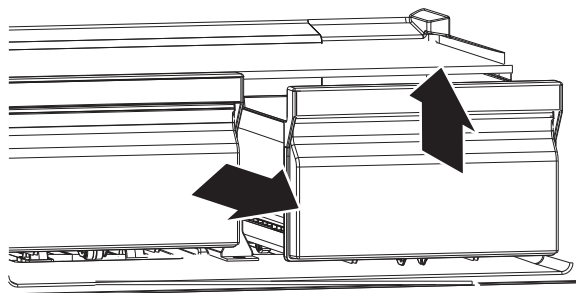


- Select the level you want to position the tray, then squeeze the tray together and push it in and down to reinstall it.

## Removing the crispers

The crisper is designed to store fruits and vegetables. Putting fruits and vegetables inside the crisper helps avoid losing moisture and prevents flavor from getting into other foods.

- 1 Open the refrigerator compartment door all the way.
- 2 Pull the crisper drawer out, then lift the crisper drawer up and pull it out.



- 3 To replace the crisper, slide the back of the drawer into the opening, then lower the front of the drawer and push it into the opening.

## Maintaining your refrigerator

### Cleaning your refrigerator

**CAUTIONS:**

To prevent damage to the finish:

- Do not use gasoline, benzine, thinner, or other similar solvents.
- Do not use abrasive cleaners.
- Do not use sharp objects because they are likely to scratch the surface.

We recommend that you do the following every time you clean your refrigerator to keep it running odor-free and efficiently:

- 1 Unplug your refrigerator from the power outlet.
- 2 Remove all food.
- 3 If you want to remove the door racks, shelves, crispers, or freezer drawers, see:
  - [Adjusting the door trays](#) on page 15
  - [Adjusting the refrigerator shelves](#) on page 15
  - [Removing the crispers](#) on page 16
- 4 Clean the doors, handles, and cabinet surfaces with a mild detergent, then rinse with warm water using a wrung-out sponge or cloth.
- 5 Wash the inside with a damp warm cloth soaked in a solution of one quart of lukewarm water to two tablespoons of baking soda solution, then rinse with warm water using a wrung-out sponge or cloth.
- 6 Clean the baskets, shelves, and drawers with a mild detergent and soft cloth, then rinse with warm water.
- 7 Make sure that you keep the door gaskets (seals) clean so that the door seals tightly. This helps your refrigerator run efficiently.

**CAUTION:** Make sure that the door gaskets are completely dry before you plug your refrigerator into the power outlet.

- 8 Dry all surfaces and removable parts before putting them back into place.
- 9 Plug your refrigerator into the power outlet.

### Defrosting your refrigerator

Your refrigerator is “frost-free” and does not require defrosting. Frost formed due to changes of seasons or temperature may be manually removed by unplugging the refrigerator or wiping the freezer compartment with a dry towel.

## Shutting down your refrigerator for several months or more

- 1 Turn off your refrigerator and unplug it from the wall outlet.
- 2 Remove all food.
- 3 Clean your refrigerator.
- 4 Leave the door open slightly to avoid possible formation of condensation, mold, or odor.

**CAUTION:** Use extreme caution with children. Do not let children play with your refrigerator.



## Moving your refrigerator

- 1 Turn off your refrigerator and unplug it from the wall outlet.
- 2 Remove all food.
- 3 Securely tape down all loose items inside your refrigerator.
- 4 Tape the doors shut.
- 5 Make sure that your refrigerator stays in the upright position (no more than 45° tilt) during transportation.

## Tips on saving energy

- Locate your refrigerator in the coolest area of the room, away from heat producing appliances or heating ducts and out of direct sunlight.
- Let hot foods cool to room temperature before placing them in your refrigerator. Overloading your refrigerator forces the compressor to run longer.
- Wrap foods correctly and wipe containers dry before placing them in your refrigerator. This cuts down on frost build-up inside your refrigerator.
- Organize and label food to reduce door openings and extended searches.
- Do not use aluminum foil, wax paper, or paper toweling to line shelves. Liners interfere with cold air circulation and make your refrigerator less efficient.

## Tips on storing food

- Always store cooked meats on a refrigerator shelf above raw meats to avoid bacterial transfer. Keep raw meat on a plate which is large enough to collect juices, and cover the plate with cling film or foil. Leave space around food. This allows cold air to circulate around your refrigerator so that all parts of your refrigerator are kept cool.
- To prevent transfer of flavors and food drying out, wrap or cover each food item separately. Fruit and vegetables need not be wrapped.
- Let hot food cool down before placing it in the refrigerator or freezer compartment. Placing hot food in the refrigerator or freezer could spoil other food and lead to higher temperatures.
- To prevent cold air from escaping, try to limit the number of times you open the doors. When returning from shopping, sort foods to be kept in the refrigerator compartment before opening the doors. Only open the door to put food in or take it out.
- Do not store food which goes bad easily at low temperature, such as bananas and melons.
- When storing food in the refrigerator compartment, use a container with a lid whenever possible. This prevents moisture from evaporating, and helps food keep its taste and nutrients.
- When storing food in the freezer compartment, wrap the food in polyethylene film, aluminum foil, or other types of freezer storage products.
- Do not block air vents inside either compartment with food. Smooth circulation of cold air keeps the refrigerator and freezer temperatures even.
- Do not open the doors frequently. Opening the doors lets warm air enter the compartments and can cause the temperature to rise.
- To adjust the temperature control easily, do not store food near the temperature controls.
- Never keep too many foods in the door rack, because this may stop the door from fully closing.
- Do not store bottles in the freezer compartment. They may break when frozen.
- Do not refreeze food that has been thawed. This causes a loss of taste and nutrition.
- Store fruits and vegetables in the crisper to prevent excessive evaporation of water and freshness.
- Leave a small amount of "air space" when freezing liquids to allow for expansion.
- To make the best use of freezer space, freeze liquids (or solids with liquids, such as stew) in square blocks. Pour the liquid into a freezer bag placed inside a square-sided container and freeze it. When the liquid is frozen, remove the bag from the container and seal the bag.

## Tips for shopping for frozen foods

- When you are buying frozen food, look at the storage guidelines on the packaging. Check the "Best Before" date. Do not use food that is past this date.
- Check the temperature of the frozen food cabinet in the shop where you buy your frozen foods.
- Make sure that the frozen food package is in perfect condition.
- Always buy frozen products last to avoid thawing while you shop.
- Keep frozen food together while shopping, and on the journey home to help to keep the food cooler.
- Don't buy frozen food unless you can freeze it straight away.
- When transporting frozen food, use special insulated bags that you can buy from most supermarkets and hardware shops. These keep frozen food cold longer.
- Freeze food in small quantities. It freezes faster and takes less time to thaw.
- If you are freezing large amounts of fresh food, select a low temperature range. This will lower the temperature in the freezer so your food freezes faster. When the food is frozen, adjust the temperature back to its normal mode.

# Troubleshooting

## Fault indication

**Note:** The LEDs mentioned here are the snowflakes on the control panel.

If a fault is indicated, contact the place where you purchased the refrigerator for service.

Fault Code	Indication	Fault Description
E1	LEDs 1 and 2 flashing	Refrigerator temperature sensor fault
E2	LEDs 1 and 5 flashing	Freezer temperature sensor fault
E5	LEDs 1 and 3 flashing	Freezing frost sensor fault
E6	LEDs 2 and 4 flashing	Communication failure
E7	LEDs 1 and 4 flashing	Ring temperature fault

PROBLEM	SOLUTION
My refrigerator does not work.	<ul style="list-style-type: none"> <li>• Make sure that your refrigerator is securely plugged into a working outlet.</li> <li>• Make sure that your power source has the correct voltage. Your refrigerator's voltage rating is on a label on the back of your refrigerator.</li> <li>• Check the house fuse or circuit breaker box and replace the fuse or reset the circuit breaker.</li> </ul>
The refrigerator compartment has a bad odor.	<ul style="list-style-type: none"> <li>• Make sure that all food with a strong odor (like onions) is wrapped or stored in airtight packaging.</li> <li>• Certain containers and wrapping materials (such as paper, foil, or plastic) can cause odors. If you think this might be the case, try using different containers or a different brand of wrapping material.</li> <li>• Check for spoiled food and remove it.</li> <li>• Clean the inside of your refrigerator. See <a href="#">Cleaning your refrigerator</a> on page 16.</li> </ul>
The refrigerator doors do not close completely.	<ul style="list-style-type: none"> <li>• Make sure that no food packages are in the way.</li> <li>• Make sure that the door gaskets (seals) are clean. See <a href="#">Cleaning your refrigerator</a> on page 16.</li> <li>• If the door gasket does not seal, try heating then cooling the seal. You can use an electric hair dryer to heat the seal.</li> <li>• Make sure that your refrigerator is level. See <a href="#">Leveling your refrigerator</a> on page 9.</li> </ul>
The temperature is too hot.	<ul style="list-style-type: none"> <li>• You may have left the doors open too long or opened them too frequently.</li> <li>• Make sure that no obstacle is keeping the doors from closing correctly.</li> <li>• Adjust the refrigerator or freezer compartment temperature. See <a href="#">Setting the refrigerator temperature</a> on page 14 or <a href="#">Setting the freezer temperature</a> on page 15.</li> <li>• Your refrigerator may not have enough clearance from walls or the ceiling. See <a href="#">Providing correct ventilation</a> on page 8.</li> </ul>
The temperature is too cold.	<ul style="list-style-type: none"> <li>• Adjust the refrigerator or freezer compartment temperature. See <a href="#">Setting the refrigerator temperature</a> on page 14 or <a href="#">Setting the freezer temperature</a> on page 15.</li> </ul>
A layer of frost occurs in one of the compartments.	<ul style="list-style-type: none"> <li>• A layer of frost may occur on the compartment's interior walls if the freezer is opened frequently or kept open too long.</li> <li>• Make sure that the air outlets are not blocked by food.</li> <li>• Make sure that the doors are fully closed.</li> </ul>
The refrigerator door is hard to open or close.	<ul style="list-style-type: none"> <li>• When you open the refrigerator door, warm air rushes inside. When you close the door, the warm air rushes to the condenser which causes a vacuum. This causes the door to be hard to open for about 10 to 15 seconds after closing.</li> <li>• If the door is hard to open at other times, try rubbing paraffin wax or petroleum jelly along the edges of the entire gasket. Paraffin wax is used for canning and is safe for use around food.</li> <li>• If the door is hard to close, try slightly loosening the tension on the door hinges.</li> </ul>

PROBLEM	SOLUTION
The compressor runs for a long time or turns on and off frequently.	The compressor runs longer if: <ul style="list-style-type: none"> <li>The room temperature is high.</li> <li>You just added a large amount of food. Wait for the food to freeze, then check again.</li> <li>You open and close the door frequently.</li> <li>The door gasket is dirty. Clean the gasket. See <a href="#">Cleaning your refrigerator</a> on page 16.</li> <li>Your refrigerator has been disconnected for a period of time. Wait for your refrigerator to cool (about four hours) before adding food.</li> <li>You have the temperature set too low.</li> </ul>
The water pan overflows.	<ul style="list-style-type: none"> <li>There may be too much food in the refrigerator or the food has too high a water content, resulting in heavy defrosting.</li> <li>Make sure the doors are closed properly so that the refrigerator/freezer does not defrost.</li> </ul>
The refrigerator makes unusual noises or vibrations.	The following sounds are normal: <ul style="list-style-type: none"> <li>Compressor running noises.</li> <li>Air movement noise from the small fan motor in the freezer compartment or other compartments.</li> <li>Popping noise during automatic defrosting.</li> <li>Clicking noise before the compressor starts.</li> </ul> Other unusual noises or vibrations may occur: <ul style="list-style-type: none"> <li>If you have items on the top of your refrigerator. Remove the items.</li> <li>If your refrigerator is not level. See <a href="#">Leveling your refrigerator</a> on page 9.</li> <li>If your refrigerator is touching walls. Move it away from the walls.</li> <li>If the shelves or drawers are installed incorrectly.</li> </ul>
The side panel of the refrigerator is hot.	Heat dissipation from the condenser may make the side panel feel hot. This is normal and happens if: <ul style="list-style-type: none"> <li>The room temperature is high.</li> <li>You have too much food in your refrigerator.</li> <li>You open and close the doors excessively.</li> </ul>
Water condenses on the outside of the refrigerator.	<ul style="list-style-type: none"> <li>Condensation on the exterior surface and door seal is normal when the room humidity is high.</li> <li>When you open the door, warm, moist outside air meets the cold dry air inside your refrigerator. This is normal.</li> </ul>

## Specifications

External dimensions (H x W x D)	66 1/2 x 29 1/2 x 30 15/16 in. (169 x 75 x 78.5 cm)
Internal dimensions (H x W x D)	<b>Refrigerator compartment (H x W x D):</b> 35 5/16 x 25 5/8 x 24 13/16 in. (89.6 x 65 x 63.1 cm) <b>Freezer compartment (H x W x D):</b> 22 5/8 x 23 5/16 x 20 1/4 in. (57.4 x 59.3 x 51.3 cm) <b>Refrigerator shelf (W x D):</b> 25 3/4 x 16 7/16 in. (65.2 x 41.6 cm) <b>Crisper (H x W x D):</b> 14 13/16 x 8 x 12 3/4 in. (36.7 x 20.3 x 32.2 cm) <b>Depth with open door at 90°:</b> 58 5/16 in. (148 cm)
Weight	<b>Gross Weight:</b> 191.8 lbs. (87 kg) <b>Net Weight:</b> 171.96 lbs. (78 kg)
Temperature ranges	<b>Refrigerator:</b> 36° to 46° F (2° to 8° C) <b>Freezer:</b> -11° to 3° F (-24° to -16° C)
Power requirements	AC115V~60Hz
Current	3A
Defrosting power	200W
Power cord length	≥ 65 in. (165 cm)
Power consumption per year	466 kWh
Certifications	UL

**WARNING:** Can expose you to Lead, a carcinogen and reproductive toxicant. See [www.P65Warnings.ca.gov](http://www.P65Warnings.ca.gov).

## ONE-YEAR LIMITED WARRANTY

Best Buy, or its Authorized Partner of Insignia branded products, warrants to you, the original purchaser of this new Insignia branded product ("Product"), that the Product shall be free of defects in the original manufacture of the material or workmanship for a period of one (1) year from the date of your purchase of the Product or the date of delivery (if later than the date of purchase) ("Warranty Period").

For this warranty to apply, your Product must be (i) purchased in the United States or Canada from a Best Buy branded retail store, online at [www.bestbuy.com](http://www.bestbuy.com) or [www.bestbuy.ca](http://www.bestbuy.ca), or from Best Buy's Authorized Partner, and (ii) packaged or sold with this warranty statement.

The term "Best Buy", as used in this warranty, refers to Best Buy branded retail stores, [www.bestbuy.com](http://www.bestbuy.com), [www.bestbuy.ca](http://www.bestbuy.ca), and Best Buy's Authorized Partner.

Because Insignia cannot control the quality of products sold by unauthorized sellers, this warranty applies only to Products that were purchased from Best Buy or an Insignia Authorized Partner, unless otherwise prohibited by law. Insignia reserves the right to reject warranty claims for Products purchased from unauthorized sellers, including unauthorized websites.

REPAIR OR REPLACEMENT, AS PROVIDED UNDER THIS WARRANTY, IS YOUR EXCLUSIVE REMEDY FOR BREACH OF WARRANTY. INSIGNIA SHALL NOT BE LIABLE FOR ANY INCIDENTAL OR CONSEQUENTIAL DAMAGES FOR THE BREACH OF ANY EXPRESSED OR IMPLIED WARRANTY ON THIS PRODUCT, INCLUDING, BUT NOT LIMITED TO, LOST DATA, LOSS OF USE OF YOUR PRODUCT, LOST BUSINESS, OR LOST PROFITS. INSIGNIA PRODUCTS MAKES NO OTHER EXPRESS WARRANTIES WITH RESPECT TO THE PRODUCT. ALL EXPRESSED AND IMPLIED WARRANTIES FOR THE PRODUCT, INCLUDING BUT NOT LIMITED TO ANY IMPLIED WARRANTIES OF AND CONDITIONS OF MERCHANTABILITY AND FITNESS FOR A PARTICULAR PURPOSE, ARE LIMITED IN DURATION TO THE WARRANTY PERIOD SET FORTH ABOVE AND NO WARRANTIES, WHETHER EXPRESSED OR IMPLIED, WILL APPLY AFTER THE WARRANTY PERIOD. SOME STATES, PROVINCES, AND JURISDICTIONS DO NOT ALLOW LIMITATIONS ON (i) HOW LONG AN IMPLIED WARRANTY LASTS, (ii) EXCLUSION OR LIMITATION OF INCIDENTAL OR CONSEQUENTIAL DAMAGES, or (iii) LIMITATION OF INCIDENTAL OR CONSEQUENTIAL DAMAGES, SO THE ABOVE LIMITATIONS OR EXCLUSIONS MAY NOT APPLY TO YOU. THIS WARRANTY GIVES YOU SPECIFIC LEGAL RIGHTS, AND YOU MAY ALSO HAVE OTHER RIGHTS, WHICH VARY FROM STATE TO STATE OR PROVINCE TO PROVINCE.

### How long does the coverage last?

The Warranty Period lasts for 1 year (365 days) from the date you purchased the Product or the date of delivery (if later than the date of purchase). Your purchase date is printed on the receipt you received with the Product. In the event that Authorized Partner ceases to sell the covered Insignia branded product, this warranty shall terminate for that product and there shall be no repair or replacement of the Product.

### What does this warranty cover?

During the Warranty Period, if the original manufacture of the material or workmanship of the Product is determined to be defective by an authorized Insignia repair center or store personnel, Insignia will (at its sole option): (1) repair the Product with new or rebuilt parts; or (2) replace the Product at no charge with new or rebuilt comparable products or parts. Products and parts replaced under this warranty become the property of Insignia and are not returned to you. If service of Products or parts are required after the Warranty Period expires, you must pay all labor and parts charges. This warranty lasts as long as you own your Insignia Product during the Warranty Period. Warranty coverage terminates if you sell or otherwise transfer the Product.

### How to obtain warranty service?

If you purchased the Product at a Best Buy retail store location or from a Best Buy online website ([www.bestbuy.com](http://www.bestbuy.com) or [www.bestbuy.ca](http://www.bestbuy.ca)), please take your original receipt and the Product to any Best Buy store. Make sure that you place the Product in its original packaging or packaging that provides the same amount of protection as the original packaging. If you purchased your Product from an Authorized Partner, call Insignia at 1-877-467-4289.

To obtain warranty service, in the United States and Canada call 1-877-467-4289. Call agents may diagnose and correct the issue over the phone.

If you purchased the Product from an Authorized Partner other than Best Buy, please call 1-888-BESTBUY in the United States or 1-866-BESTBUY in Canada. You will be asked to provide proof of purchase and to return your Product to Best Buy. Make sure that you put the Product in its original packaging or packaging that provides the same amount of protection as the original packaging.

### Where is the warranty valid?

This warranty is valid only in the United States and Canada to the original purchaser of the product from an Authorized Partner, in the country where the original purchase was made.

### What does the warranty not cover?

This warranty does not cover:

- Food, beverage, and or medicine loss/spoilage.
- Damage to other products caused by a power surge or other similar issue while connected to the Product.
- Customer instruction/education.
- Installation.
- Set up adjustments.
- Cosmetic damage.
- Damage due to weather, lightning, and other acts of God, such as power surges.
- Accidental damage.
- Misuse.
- Abuse.
- Negligence.
- Commercial purposes/use, including but not limited to use in a place of business or in communal areas of a multiple dwelling condominium or apartment complex, or otherwise used in a place of other than a private home.
- Modification of any part of the Product, including the antenna.
- Display panel damaged by static (non-moving) images applied for lengthy periods (burn-in).
- Damage due to incorrect operation or maintenance.
- Connection to an incorrect voltage or power supply.
- Damage due to attempted repair by any person not authorized by Insignia to service the Product.
- Products sold "as is" or "with all faults".
- Consumables, including but not limited to batteries (i.e. AA, AAA, C etc.).
- Products where the factory applied serial number has been altered or removed.
- Loss or Theft of this product or any part of the product.
- Display panels containing up to three (3) pixel failures (dots that are dark or incorrectly illuminated) grouped in an area smaller than one tenth (1/10) of the display size or up to five (5) pixel failures throughout the display. (Pixel based displays may contain a limited number of pixels that may not function normally).
- Failures or Damage caused by any contact including but not limited to liquids, gels or pastes.

Contact Insignia:

1-877-467-4289

[www.insigniaproducts.com](http://www.insigniaproducts.com)

INSIGNIA is a trademark of Best Buy and its affiliated companies.

\*Distributed by Best Buy Purchasing, LLC

7601 Penn Ave South, Richfield, MN 55423 U.S.A.

©2025 Best Buy. All rights reserved

INSIGNIA™

**For product inquiries, please contact us with the information below:**

**1-877-467-4289**

**[www.insigniaproducts.com](http://www.insigniaproducts.com)**

INSIGNIA is a trademark of Best Buy and its affiliated companies.

Distributed by Best Buy Purchasing, LLC

7601 Penn Ave South, Richfield, MN 55423 U.S.A.

©2025 Best Buy. All rights reserved.

V7 ENGLISH  
25-0272