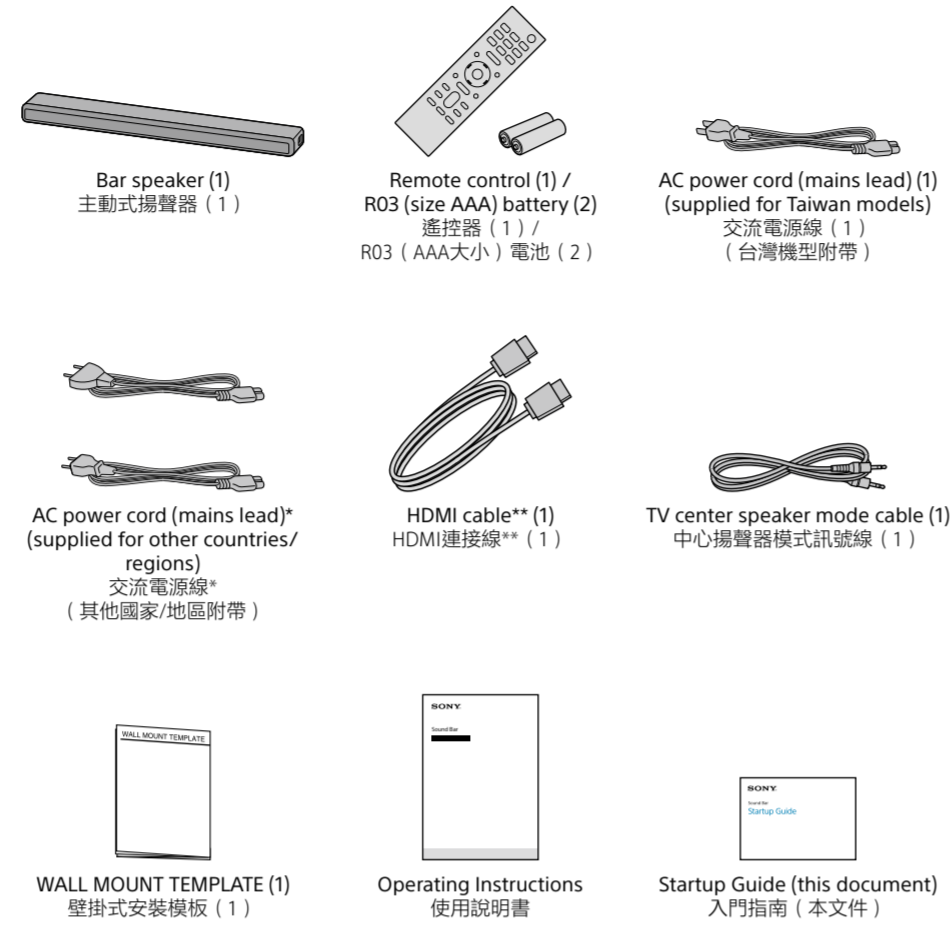




GB  
CT

What's in the box  
盒中內容

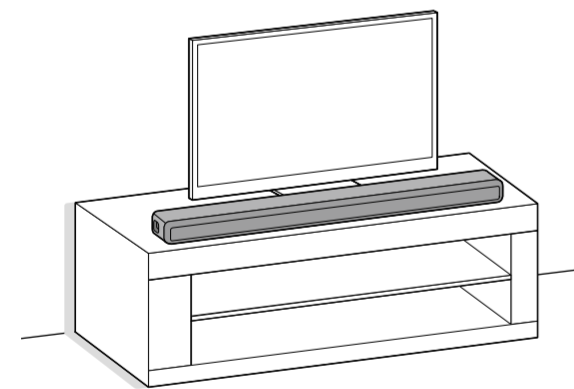


\* The number of supplied AC power cords and the power cord type differ depending on the country/region.  
\*\* Supports the specification equal to High Speed HDMI Cable with Ethernet.

\* 附帶交流電源線數量和電源線類型視國家/地區而不同。  
\*\* 支援規格等同支援乙太網路連接的高速HDMI傳輸線。

1 Choose an installation method  
選擇安裝方式

Installing on a shelf/stand  
在架子/底座上安裝



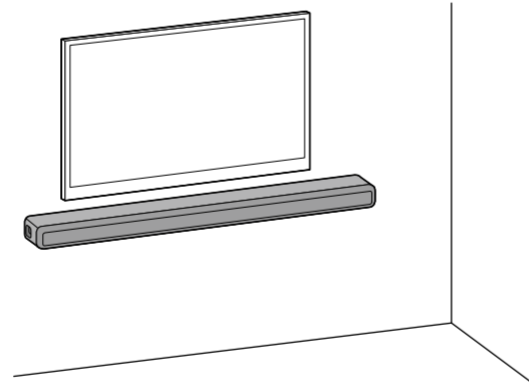
or  
或

Mounting on a wall

For details, refer to the Operating Instructions (separate document).

在牆壁上安裝

如需詳細資訊，請參閱使用說明書（另外的文件）。



Note

- Before connecting the speaker system, disconnect the AC power cord (mains lead) of the TV from the AC outlet (mains). Reconnect it in step 4.
- Do not place metal objects near the speaker system. Wireless functions may become unstable.

註

- 連接揚聲器系統之前，從交流電插座拔出電視機的交流電源線。在步驟4中重新連接。
- 請勿將金屬物體放在揚聲器系統附近。無線功能可能不穩定。

To set up with the optional subwoofer and/or rear speakers

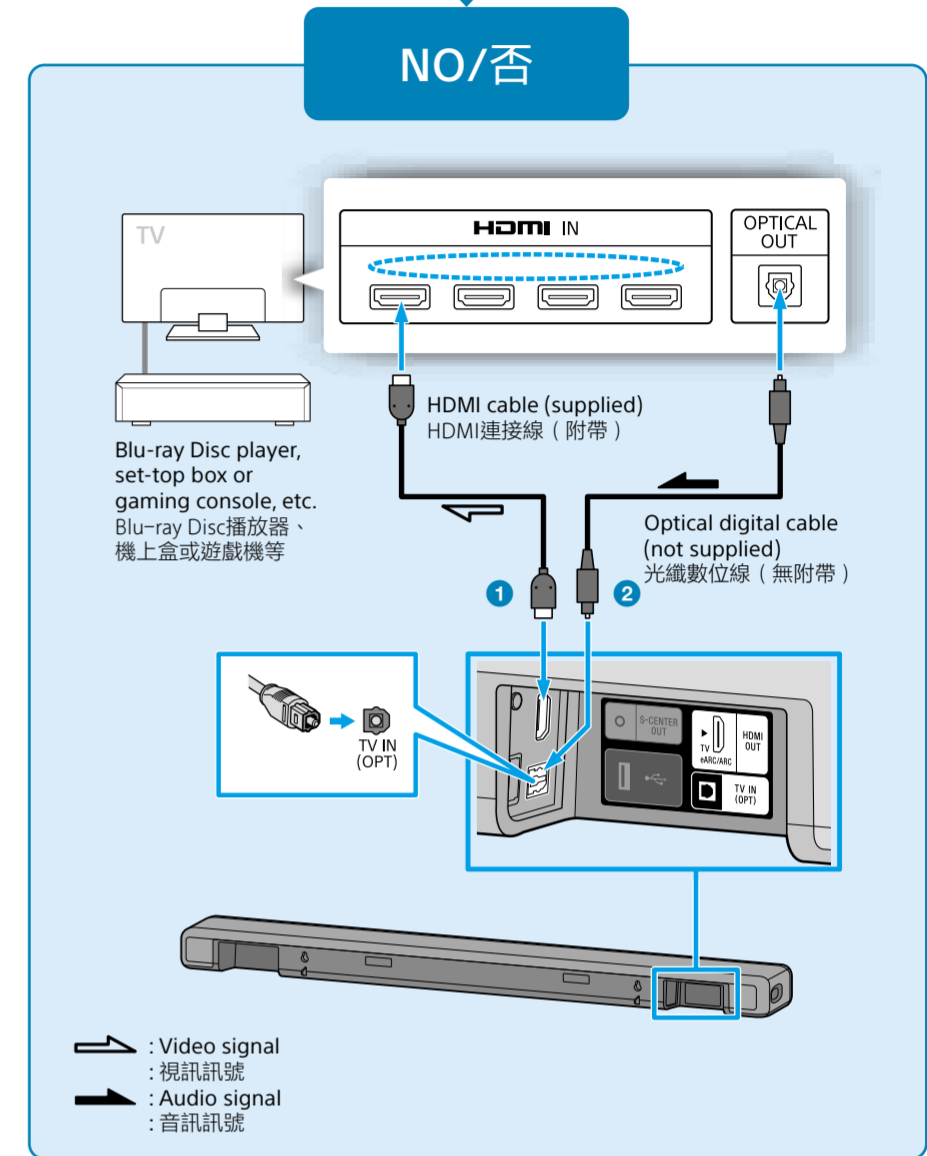
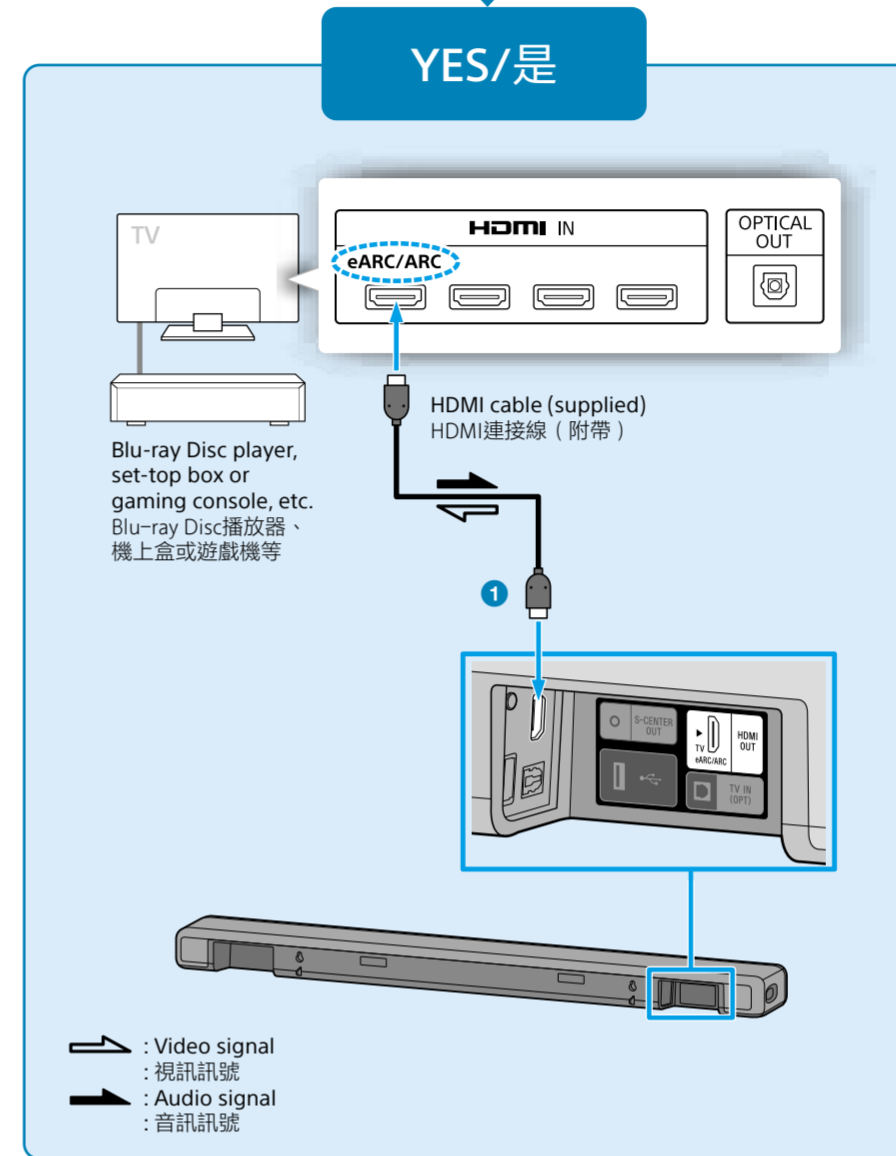
The confirm screen for the speaker connection appears on the TV screen in step 5. Connect the optional speakers to the speaker system by following the screen instructions.

與可選重低音揚聲器和/或後置揚聲器配合使用時的設置

揚聲器連接的確認螢幕出現在步驟5中的電視機螢幕上。按照螢幕指示將可選揚聲器連接至揚聲器系統。

2 Connect with a TV  
連接電視機

Is there an HDMI IN jack labeled "eARC" or "ARC" on your TV?  
電視機是否有一個標示為 "eARC" 或 "ARC" 的 HDMI IN 插孔？



- 1 Connect the HDMI cable (supplied) to the HDMI OUT jack on the speaker system and the HDMI IN jack on your TV.  
If your TV has the S-CENTER SPEAKER IN jack, connect the S-CENTER SPEAKER IN jack on your TV to the S-CENTER OUT jack on the speaker system using the TV center speaker mode cable (supplied).
- 2 When your TV does not have an HDMI IN jack labeled "eARC" or "ARC," use an optical digital cable (not supplied) to connect an optical out jack on your TV and the TV IN (OPT) jack on the speaker system.  
There will be no TV sound output from the speaker system if the TV and the speaker system are connected only using the HDMI cable.

Note

- Make sure that the connectors are firmly inserted.
- Check the shape of the optical digital cable's connectors and the jacks on the TV and the speaker system. Insert the connectors into the jacks in the right directions. If you forcibly insert the connectors in the wrong directions, the connectors and the jacks may be damaged.
- If you select "YES," enable the Control for HDMI function on the TV. Otherwise, there will be no TV sound output from the speaker system.

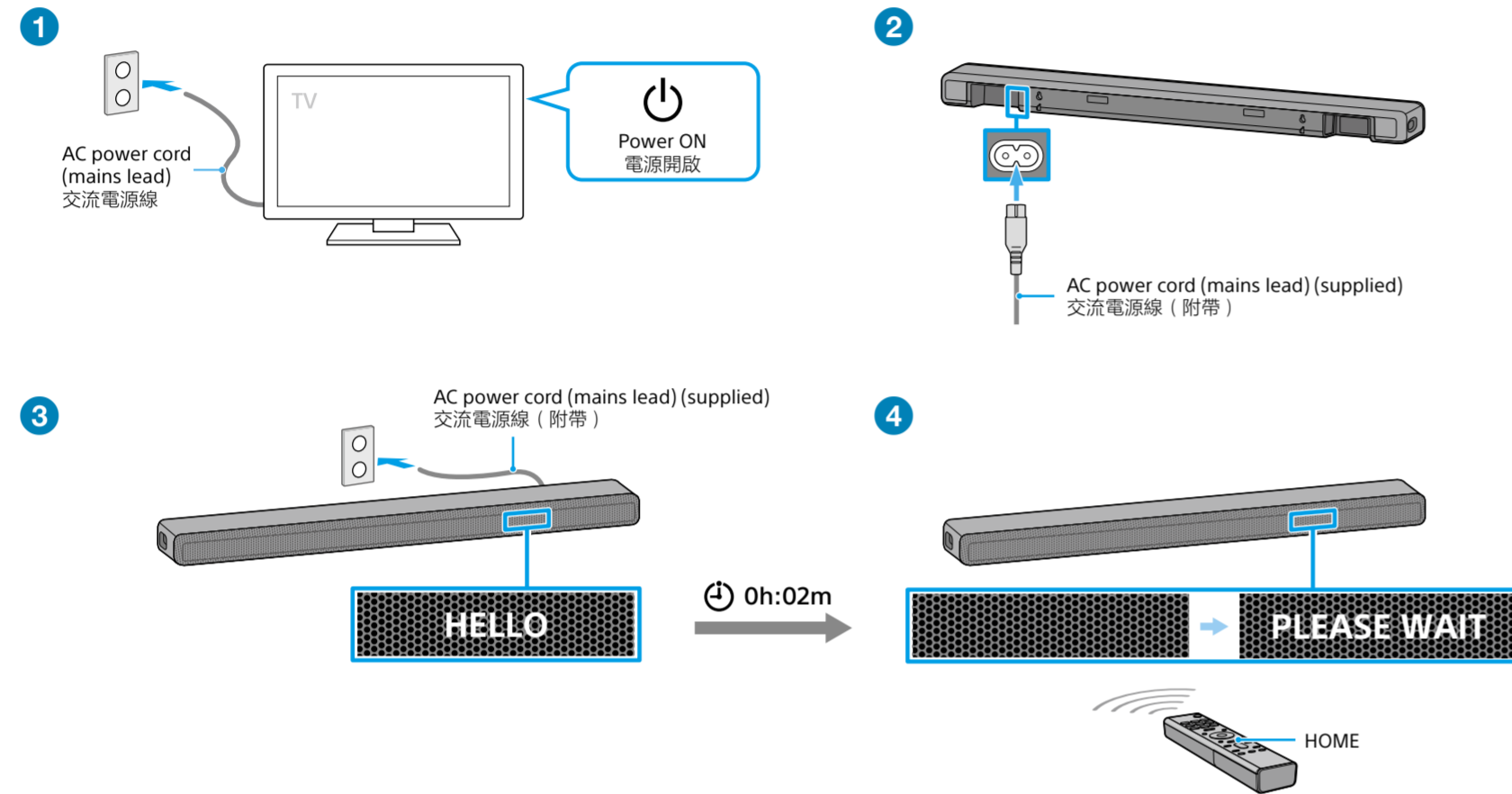
註

- 確定接頭牢固地插入。
- 請檢查光纖數位線連接器與電視機及揚聲器系統插孔的形狀。以正確的方向將連接器插入到插孔內。如果您以錯誤方向強力插入連接器，連接器與插孔可能會損壞。
- 如果選擇 "是"，則在電視機上啟用HDMI控制功能。否則揚聲器系統不會輸出電視機聲音。

### 3 Set up the remote control 設定遙控器



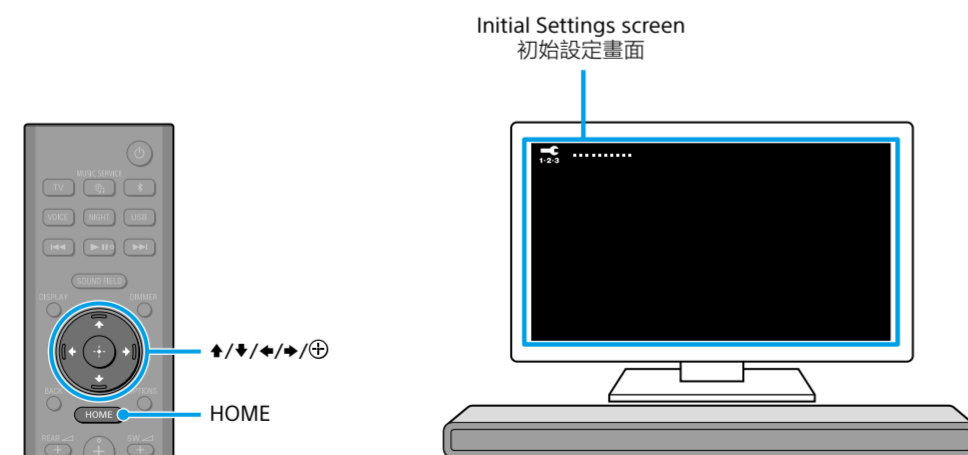
### 4 Turn on the TV and the speaker system 開啟電視機和揚聲器系統的電源



- 1 Connect the TV's AC power cord (mains lead) to the AC outlet (mains).
- 2 Connect the AC power cord (mains lead) to the AC inlet on the speaker system.
- 3 Connect the AC power cord (mains lead) to the AC outlet (mains).  
The remote control of the speaker system does not work until [HELLO] in the front panel display on the speaker system disappears.
- 4 Press HOME on the remote control of the speaker system after [HELLO] in the front panel display disappears.  
Wait until [PLEASE WAIT] in the front panel display disappears and next indication appears in the front panel display.

- 1 將電視機的交流電源線連接至交流電插座。
- 2 將交流電源線連接至揚聲器系統上的交流電插口。
- 3 將交流電源線連接至交流電插座。  
在揚聲器系統前顯示面板上的[HELLO]消失之前，揚聲器系統的遙控器沒有作用。
- 4 前顯示面板中的[HELLO]消失後，按揚聲器系統遙控器上的HOME。  
等待直到前顯示面板中的[PLEASE WAIT]消失且出現下一個指示。

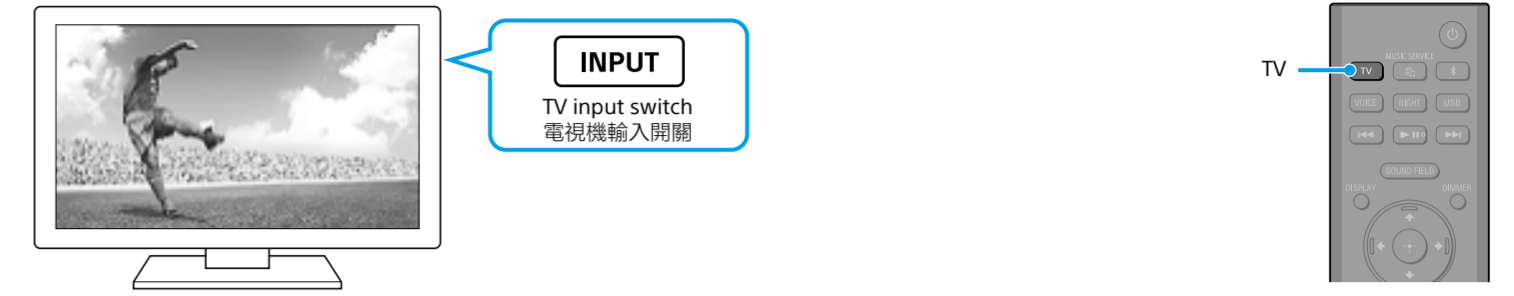
### 5 Perform Initial Settings 執行初始設定



- 1 Follow the instructions on the screen displayed on the TV to perform initial settings with  $\blacktriangle$ / $\blacktriangledown$ / $\blacktriangleleft$ / $\blacktriangleright$  and  $\text{HOME}$ .  
If the initial setting screen is not displayed, use the TV remote control to switch the input on the TV to the HDMI input that is connected to the speaker system, then press HOME on the remote control of the speaker system.
- 2 If you use the optional subwoofer/rear speakers, connect them by following the instructions on the [Checking Wireless Speaker Connection] screen.
- 3 Once [Setup is complete.] appears, select [Learn more].

- 1 按照電視機上顯示的螢幕指示使用 $\blacktriangle$ / $\blacktriangledown$ / $\blacktriangleleft$ / $\blacktriangleright$ 和 $\text{HOME}$ 執行初始設定。  
若不顯示初始設定螢幕，則使用電視機遙控器將電視機上的輸入切換至揚聲器系統所連接的HDMI輸入，然後按下揚聲器系統遙控器上的HOME。
- 2 若使用選購的重低音揚聲器/後置揚聲器，則按照[檢查無線揚聲器連線]螢幕上的指示進行連線。
- 3 出現[設置已完成。]後，請選擇[深入了解]。

### 6 Listen to sound 聆聽聲音



#### To listen to the audio of the TV

- 1 Select the desired input to the TV using the TV remote control.  
The screen switches to the selected input screen and the TV audio is output from the speaker system.  
If [TV] does not appear in the front panel display on the speaker system, press TV on the remote control of the speaker system to select the TV input. [TV] appears in the front panel display on the speaker system.

**Note**  
Depending on the order in which you turn on the TV and speaker system, the speaker system may be muted and [MUTING] may appear in the front panel display on the speaker system. If this happens, turn on the TV first, then the speaker system.

#### 聆聽電視機的聲音

- 1 使用電視機遙控器選擇所要的電視機輸入。  
畫面切換為所選輸入畫面，而且揚聲器系統輸出電視機的聲音。  
如果揚聲器系統的前顯示面板上沒有出現[TV]，請按下揚聲器系統遙控器上的TV以選擇電視機輸入。揚聲器系統的前顯示面板上出現[TV]。

**註**  
依據您開啟電視機與揚聲器系統的順序，揚聲器系統可能會靜音，而且揚聲器系統的前顯示面板中可能會出現[MUTING]。如果發生這種狀況，請先開啟電視機，然後開啟揚聲器系統。

### How to use the speaker system / Troubleshooting 如何使用揚聲器系統/故障排除



**Operating Instructions (booklet)**  
Describes basic usage such as installation/connection and playback of connected devices.

**使用說明書 (小冊子)**  
描述基本使用，例如安裝/連接和播放連接裝置。



**Help Guide (Web instruction manual)**  
Describes all the usage such as the network function and the detailed setting method, including the contents of the Operating Instructions.

**說明指南 (網頁版使用說明書)**  
描述所有使用，例如網路功能和詳細設定方法，包括使用說明書的內容。



For troubleshooting when the speaker system does not operate correctly, see "Troubleshooting" in the Operating Instructions or Help Guide.

有關揚聲器系統無法正常操作時的故障排除，請參閱使用說明書或說明指南中的“故障排除”。

For customers in Americas  
對於美洲客戶  
[https://rd1.sony.net/help/ht/a3000/h\\_uc/](https://rd1.sony.net/help/ht/a3000/h_uc/)



For customers in other countries/  
regions  
對於其他國家/地區客戶  
[https://rd1.sony.net/help/ht/a3000/h\\_zz/](https://rd1.sony.net/help/ht/a3000/h_zz/)

