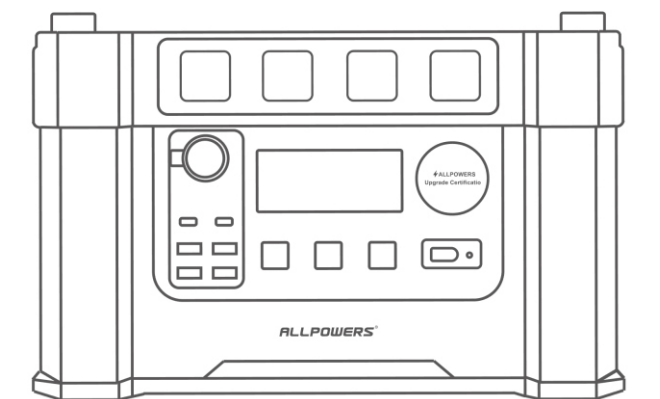




Portable Power Station

Model: AP-SS-009 (S2000)



- WARNING**
1. Keep S2000 and the accessories dry and keep them away from heat source.
 2. Never disassemble, puncture, shock, crash, short-circuit or incinerate.
 3. Recycle and dispose of S2000 follow the local regulation.
 4. Pay attention to the IMPORTANT SAFETY INSTRUCTIONS on manual before operate/handling.
 5. Disabled and children should use S2000 under the protection of the supervisor.

The products and materials described in this manual will be changed at any time due to technical upgrades, we reserve the right to change the contents of this manual without inform in advance.

S2000 V2.0

Thanks and congratulations on your solar generators purchase, a plug-and-play backup power station for powering outdoors. The S2000 will be partially charged in accordance with lithium ion shipping regulations. Before you read the rest of manual, please plug it into the wall and charge it full with the AC charging cable.

IMPORTANT SAFETY INSTRUCTIONS

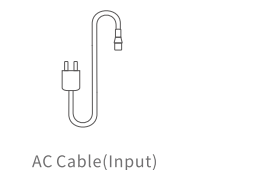
BEFORE using this product, you must read this instruction to fully understand the function of the product. In particular, you should follow this important SAFETY INSTRUCTION MANUAL. Improper operation may cause product failure, and in serious cases may cause safety issue. Suggest the user to read this manual and understand the important safety precautions (including safety guidelines, safety terms during use and operation, daily maintenance terms, etc.). Otherwise, we WILL NOT RESPONSIBLE for the damage caused by wrong method.

Special Note: check the voltage and power on your electronic device to ensure the compatibility before connecting your devices. (Before using the AC output port, please make sure that the rated power of your electronic device does not exceed 2000W, and the peak power does not exceed 4000W. Normally, users can find the relevant power parameters on the parameter label.

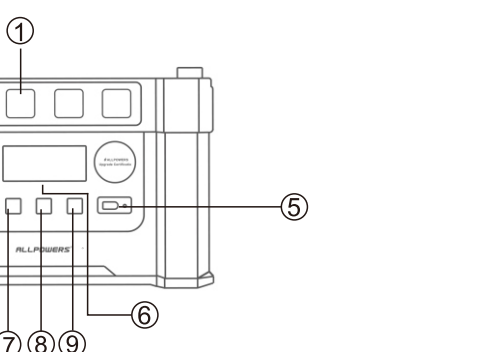
1. If the product needs maintenance or repair, please send this product to a qualified service provider. DO NOT disassemble or modify any part of this product without our guidance. Wrong assembly may cause accident such as fire or electric shock. Unauthorized assembly will invalidate your warranty.
2. This product has no waterproof function. Please avoid using it humid environment. DO NOT pour any liquid into this product or immerse this product in any liquid.
3. If you find abnormal phenomena such as swelling or leakage of the internal battery, please contact our after-sales team in time for further assistance.
4. DO NOT install or remove any internal battery from this product.
5. Please avoid using this product in the presence of strong electromagnetic or electrostatic interference, otherwise it may cause the failure on battery control circuit board.
6. If the product accidentally falls into the water during use, please DO NOT directly salvage it by hand. Use insulating materials to take it out of the water. Turn off the power immediately and place it in a safe open area. Keep a safe distance from the product. Contact our after-sales team for further solution. DO NOT use this product again unless you receive operating instructions from us.
7. DO NOT use this product with damaged wires, plugs, etc.
8. Charge the generator in a well-ventilated place, and DO NOT obstruct air circulation.
9. DO NOT drop, place heavy objects on it or hit the product. DO NOT step on or sit on the product.
10. DO NOT put your fingers, palms or any part of your body into this product, especially to avoid

11. DO NOT throw this product into fire or heat it; DO NOT use or store it in high-temperature place (near the fire source, stove, car during the hot season or under sunlight directly), otherwise it may cause overheating issue, or on fire, explosion or malfunction. (When using solar panels for charging, DO NOT cover this product with blankets or clothing, and place it in a cool and ventilated place).
12. This product can be widely used. It will need regular simple cleaning and maintenance. You can wipe it with a dry non-abrasive cloth. If you need a deep clean, we recommend you to choose a neutral cleaner for mobile phone and computer display.
13. If leaks inside the product and adheres to the skin or clothing, please wash it with water immediately. If it accidentally splashes into eyes, DO NOT rub them, rinse with water, and do the medical attention immediately.
14. DO NOT use flammable gas such as insecticide spray near this product, it may cause fire.
15. DO NOT use this product with wet hand or wipe it with wet cloth, which may cause electric shock.

Product List



Get to Know Your Generator

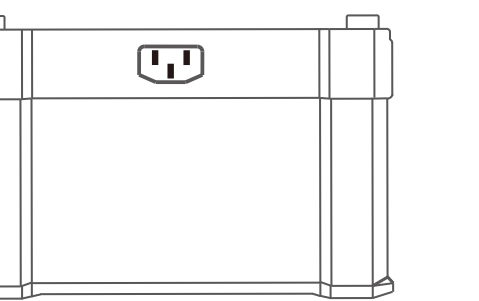


- ① 4× Universal AC Output Sockets
Different country may require different voltage and frequency from AC source.
- ② 1 Car Port Outlet
- ③ 2X USB-C Output (PD100W Fast Charging)
- ④ 4× USB-A Outputs (QC3.0 Quick Charging)
- ⑤ Xt60 Solar Input
- ⑥ LCD Display
- ⑦ Power Button: short press to power it ON/OFF and check the remaining battery. When it is ON, press 3 second until you see “Ⓜ” icon on LCD, you will enter/exit Bluetooth Mode, scan QR code to download our APP and do the registration, you can communicate it with your Phone via Bluetooth from now on.

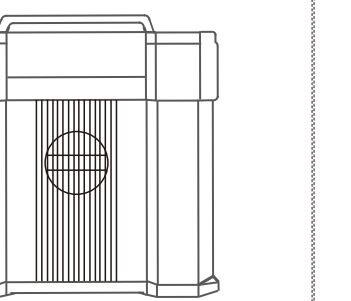
- ⑧ Master for AC Mode: when it is power on, press and hold for 3 seconds and you will see the AC icon light up which means AC power is ready for use, in the meantime, a cooling fan will start running. For some countries, you may need to switch between 50/60Hz on APP after the AC mode is on, please ensure it is on no-load condition.

- ⑨ Master of DC mode (USB-A, USB-C, Car Outlet): click on DC button to switch on/ off the DC mode and you will see both USB-A and Car outlet icon light up.

A long press on the DC button could help to disable/ resume the sound of the button.

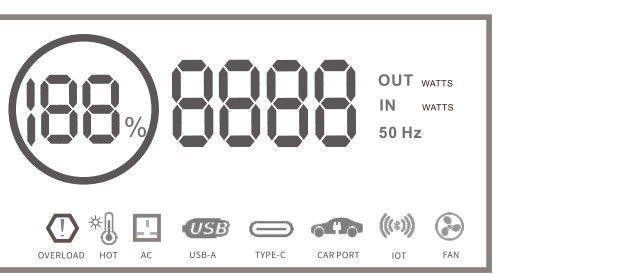


AC Input Socket



Cooling Vent.

Real-time LCD Displays



- ① Battery Segments (Five battery segments, 20% of battery for each segment.)
- ② Battery Percentage
- ③ In/Out Power (Here shows the power in or power out, or “power in-power out” if you charge and discharge at the same time)
- ④ 50Hz *50/60Hz (For some countries, you may need to switch between 50/60Hz on APP after the AC mode is on.)
- ⑤ 8888^{hrs} *Time remaining (only estimated time. The remaining time will vary from the appliances you use)
- ⑥ Overload Alarm: when the power output from any DC or AC socket and the car port exceeds the maximum power output, the overloaded alarm will start to blink for warning. (Remove the device and restart the S2000 to resume operation.)
- ⑦ Over-temperature Alarm: the system will in a safe mode if the AC inverter temperature goes up to 95°C, AC outlets will be shutdown automatically, please wait for a few minutes till the system cools down before restart it.
- ⑧ AC Output Icon: when power on, press and hold the AC master for 3 seconds to enable AC outlets, the AC icon will come on. (Be sure to turn off AC mode by press and hold the AC master for 3 seconds when you finish each time, then remove the cord from AC ports, otherwise, it causes approx. 10-15 W power loss.)
- ⑨ USB-C output mode icon: when using the USB-C port to charge your devices, the icon of USB-C on the display lights up. The icon will disappear when you unplug the cord from the USB-C port, for USB-C, make sure the DC master is switched on.
- ⑩ Output icons for USB-A ports and Car Port: a short press is needed to turn on/off the DC outputs and you will see both USB-A and car port icons light up on LCD.
- ⑪ Bluetooth Mode (Bluetooth Model: MS485F2 4.0 BLE)
- ⑫ Once the fan is operating, this icon lights up.

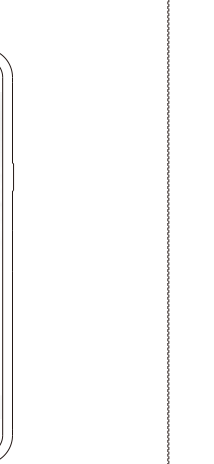
Warm Tips:

- To enable AC outputs, we need to ensure the battery never drop below 10% (no lower than 5% for DC outputs), this is designed purposefully to help prolong the battery life, so your S2000 is always ready for use when you need it.
- To save energy loss, please do exit all modes and turn off the LCD display after every use. When Power Off, the microelectronics control circuit runs into a standby mode, the battery drop down a little if it is not in use for half year.

APP

the picture of connected device will be displayed

- Turn on Bluetooth on your Phone and make sure Location Service is on.
- Press to light up the LCD, then press and hold for 3 seconds to enable bluetooth
- Open the APP, in the “Select Your Device” interface, select ALLPOWERS S2000 to make a pair

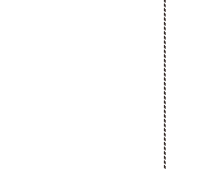


How can I recharge my S2000?

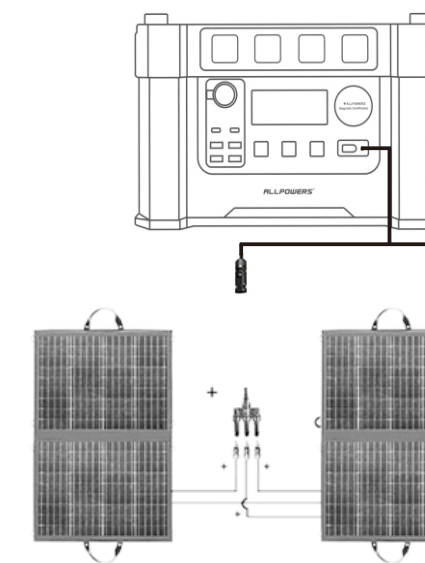
- Charging it from wall sockets: there is an AC input socket behind for charging, please do use the AC charging cable we provided, any non-original one might shorten its service life. (Up to 400W input power, it will take approx. 4-5 hours to full charged.)
- Charging from ALLPOWERS portable solar panels or other certificated solar panels via the XT60 input (18-70V, 18A, 500W Max., approx 3-4 hours to be fully charged). Keep in mind that solar charging results can be significantly affected by variables (weather, shading, etc). User can connect several solar panels, but the voltage from your panels should not exceeds 70V. If you want to use solar panel of other brands and if the damage was caused by using the solar panel of other brands, users should take the responsibility even though it is within the warranty period.



Android 4.3 or above



iOS 9.0 or above



Specifications:

Battery	Lithium-Lion batteries Capacity: 405405mAh 3.7V (1500Wh) Weight: approx. 14.5kg Size: 375×245×250 mm / 14.76×9.64×9.84 inch
Input	AC Input: 400W (Max. 100-240V) Solar Input: 500W 18-70V 18A

Attention: although we get an average of 7-8 hours of daylight a day, but the Peak Sun Hours are generally around 4-5 hours only. so most panels usually harvest approx. 60% of their specified sun energy a day.

Output

AC Output: continuous 2000W, surge 4000W (Pure Sine Wave)
13V Car Port: 13V10A
USB-C Output: 5V/9V/12V/15V/20V PD100W
USB1/USB3: 5V3.5A/9V2.5A/12V2A
USB2/USB4: 5V3.5A/9V2.5A/12V2A
USB1+USB3/USB2+USB4: 5V2.4A+5V2.4A

Temperature

Working temperature: -20~45(°C)
Over temperature charging protection: 55°C~65(°C)
For long-term storage, please do avoid storing outside, or in humid environments.

Protections

Over-current / Under-voltage / Over-charge / Over-load / Short-circuit / Over-heating protection

Note: USB1/USB3 supports QC 3.0 fast charging standard which means a single port allows you to power up to 24W at maximum for devices, but they will be degrade to a normal output level of 5V/2.4A at maximum if deliver power for dual devices at the same time.

Storage and Maintenance:

- Due to the chemical characteristics of the battery, the battery performance may somewhat vary from environment to environment such as cold weather or overheating. Please always use it in room temperature (-20~45°C).
- Continuously discharging the battery below 5-10% and storing it with low battery may reduce its serviceable life. Recommended to always leave it at least 20% capacity unused. (Suggest to fully recharge it at least once every 90 days for maintaining the best performance, reliability, and longevity.)
- Please store your S2000 in dry environment and do avoid store it outdoor or in wet place. Storing S2000 outside, operating it out of the temperature range, which might cause safety issue and reduce the service life.
- Please handle it carefully and avoid hitting it with sharp objects or knocking heavily on it.

Disposal Guide

- If conditions permit, make sure that the battery is fully discharged before disposing it in a designated battery recycling bin. The product contains batteries with potentially dangerous chemicals, so it is strictly prohibited to dispose of it in ordinary trash cans. For more details, please follow the local laws and regulations on battery recycling and disposal.
- If the battery cannot be fully discharged due to a product failure, please do not dispose of the battery directly in the battery recycling box. In such case, you should contact a professional battery recycling company for further processing.
- Please dispose of over-discharged batteries that cannot be recharged.

Contact Us

If you have any concern regarding our products or services, please email us to support@allpowers.com, we will feedback with our assistance within 1 working day. Please also advise us by providing a statement of how the failure occurred and the details of the issue.
Website: www.iiallpowers.com