

## FITTING NOTE

<b>SUBJECT</b>	RackUltra FX Card Fitting Note ISS2
<b>DATE</b>	May 2024
<b>DOCUMENT</b>	
<b>MODEL(S)</b>	dLive DM0 / DM32 / DM48 / DM64 / CDM32 / CDM48 / CDM64

### Table of Contents:

BEFORE STARTING	1
TOOLS REQUIRED	1
DM32 / DM48 / DM64	2
DM0	5
CDM32 / CDM48 / CDM64	8

### Before Starting

- ⓘ Fitting of this card must be carried out by technically qualified personnel only. Any damage caused by mishandling or incorrect installation will not be covered under warranty.

This fitting note is intended to aid in the fitting of a RackUltraFX card to a dLive MixRack.

Ensure a suitably sized worksurface is available. Ensure this is clear of dirt, debris and obstructions which may damage the equipment surfaces. Ensure adequate lighting. Use the correct tools for the job and ensure that they are in good working order. Ensure all workshop safety requirements are adhered to.

### Tools Required

1x T8	Screwdriver
1x T10	Screwdriver
1x	Side Cutters
1x	Grounding Strap
1x 004-1765-A	24V DC Wireform
1x M-DL-ULTRAFX-A	RackUltra FX card



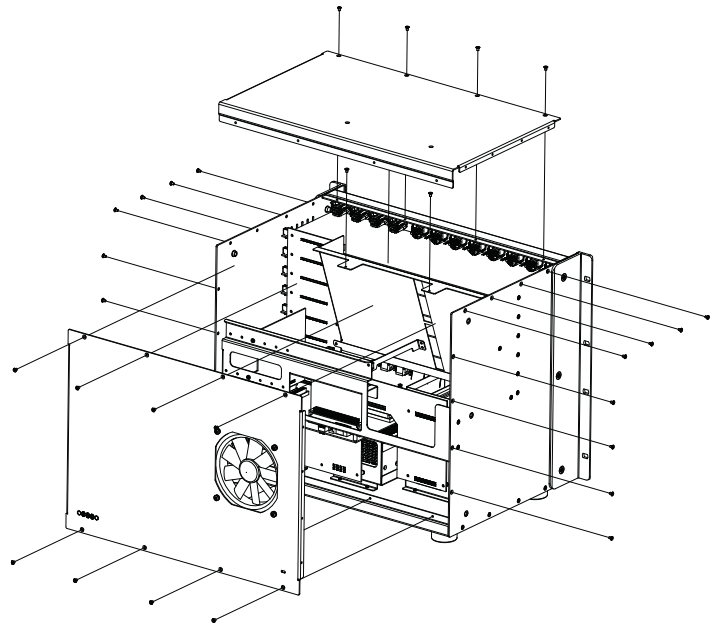
## DM32 / DM48 / DM64

ⓘ This section is **not** for the DM0.

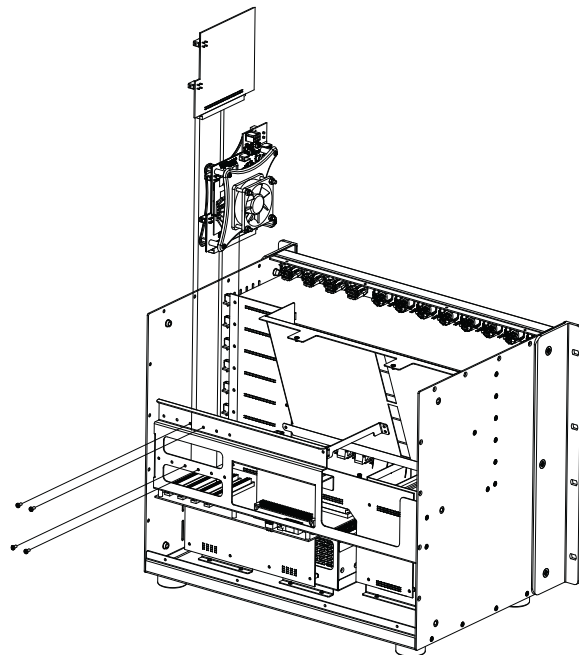
- 1) Remove all screws holding the rear panel to the DM chassis.
- 2) Carefully move the rear panel away from the rest of the chassis.

ⓘ Do not damage the cable connecting the fan to the mainboard.

- 3) Remove all screws holding the top panel to the DM chassis.
- 4) Carefully move the top panel away from the rest of the chassis.

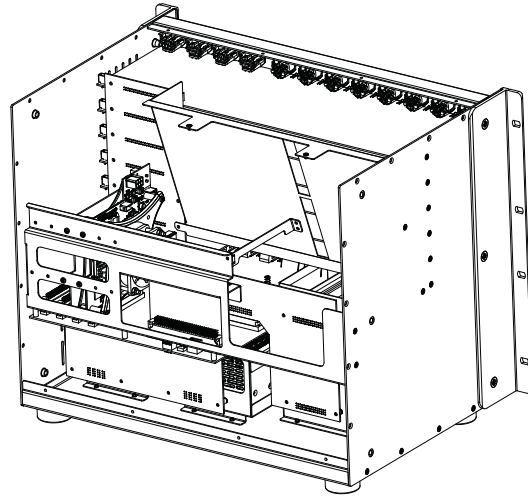


- 5) Remove the screws holding the DSP FX card to the card support bracket.
- 6) Remove the DSP FX card from **slot C**.
- 7) Fit RackUltra FX Card to **slot D**.
- 8) Fit the screws holding the RackUltra FX card to the card support bracket.





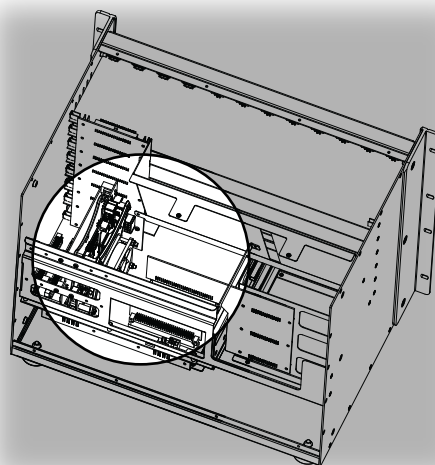
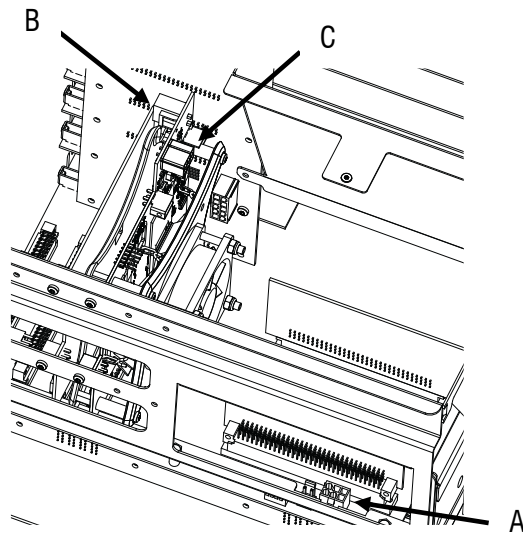
- 9) Refit the DSP FX Card to **slot C**.
- 10) Refit the screws holding the DSP FX card to the card support bracket.



- 11) Remove cable fitted at socket A and reconnect to socket C.
- 12) Fit cable 004-1765-A connecting socket A to socket B.

ⓘ The cable excess should lie between the card support bracket and the rear panel.

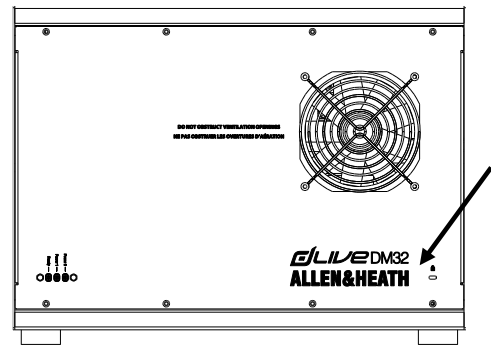
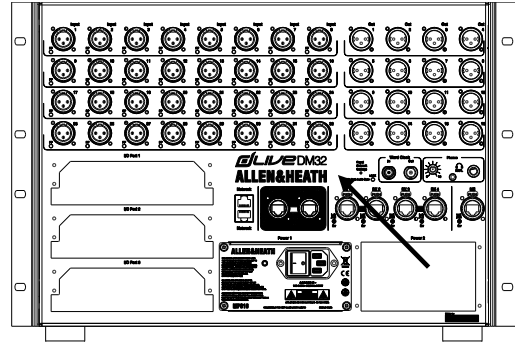
- 13) Cable 004-1765-A should be secured using a cable tie to the cable **now** fitted to **socket C**.
- 14) Flush cut excess on cable tie using side cutters.





15) Refit the top and rear panels as per steps 1 & 2.

16) Attach decals from kit provided (suggested fitting locations shown by arrows).

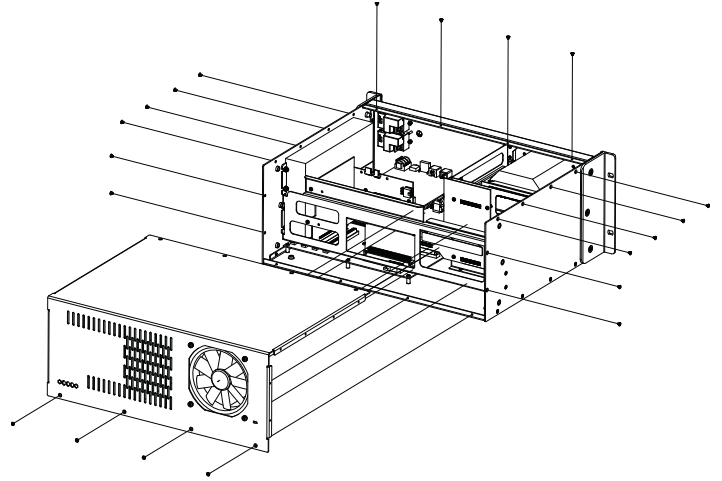




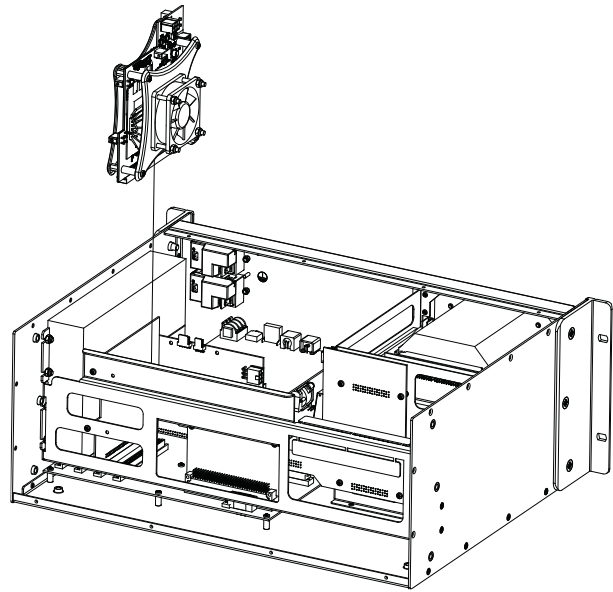
## DM0

- 1) Remove all screws holding the rear panel to the DM0 chassis.
- 2) Carefully move the rear panel away from the rest of the chassis.

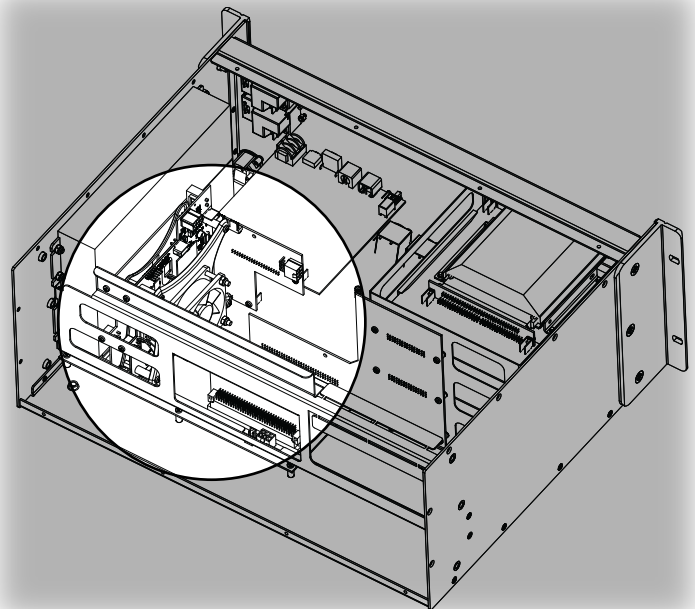
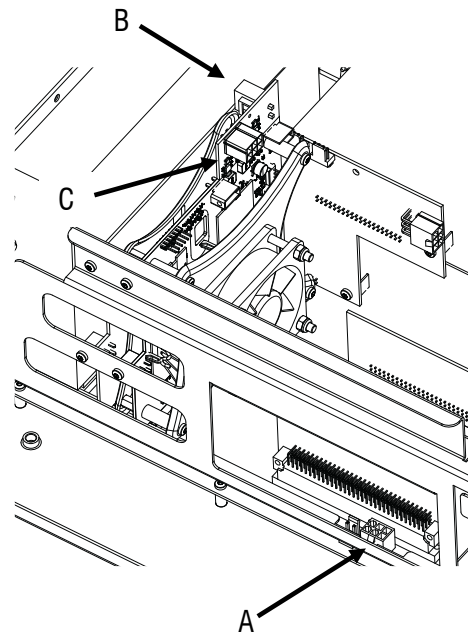
**i** Do not damage the cable connecting the fan to the mainboard.



- 3) Fit the RackUltraFX Card to **slot D**.
- 4) Fit the screws securing the RackUltraFX Card.



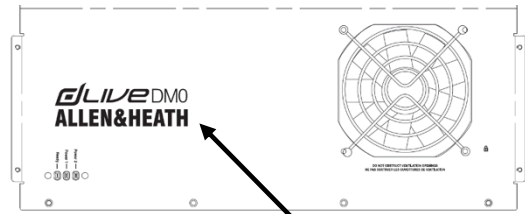
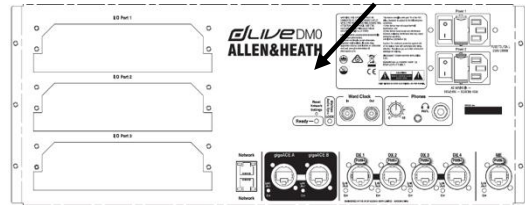
- 5) Remove cable fitted at socket A and reconnect to socket C.
- 6) Fit cable 004-1765-A connecting socket A to socket B.
  - ⓘ The cable excess should lie between the card support bracket and the rear panel.
- 7) Cable 004-1765-A should be secured using a cable tie to the cable **now** fitted to **socket C**.
- 8) Flush cut excess on cable tie using side cutters.





9) Refit the rear panel as per steps 1 & 2.

10) Attach decals from kit provided (suggested fitting locations shown by arrows).

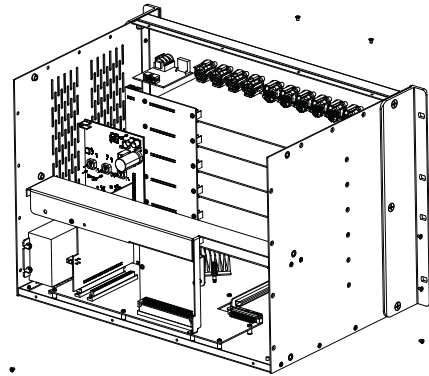
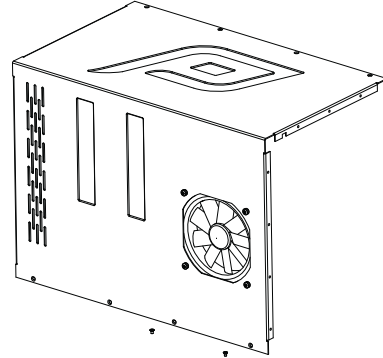




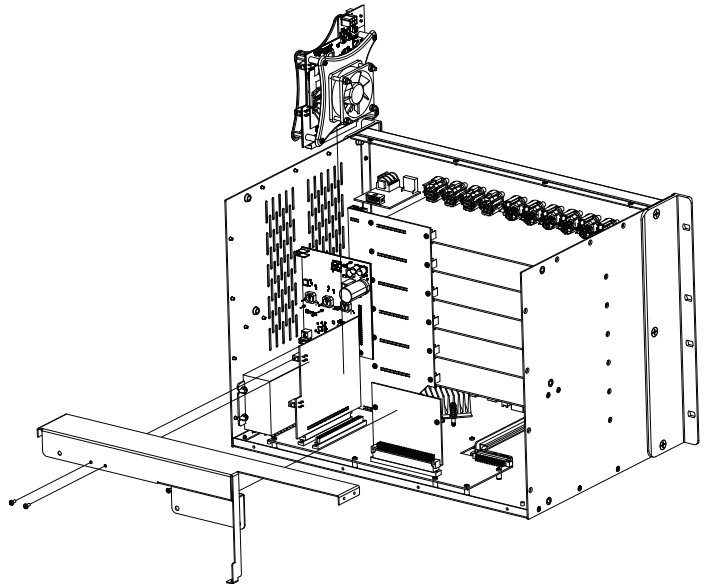
## CDM32 / CDM48 / CDM64

- 1) Remove all screws holding the rear panel to the CDM chassis.
- 2) Carefully move the rear panel away from the rest of the chassis.

**i** Do not damage the cable connecting the fan to the mainboard.



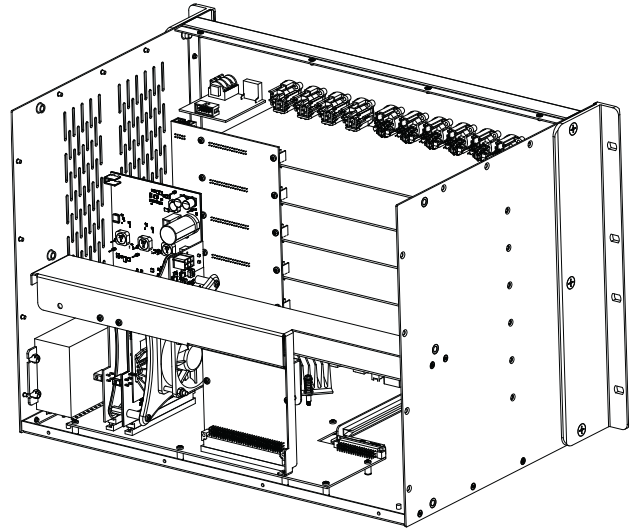
- 3) Remove the screws holding the DSP FX card to the card support bracket.
- 4) Remove the two screws holding the iMX6 card to the card support bracket.
- 5) Remove screws holding the card support bracket to the CDM chassis.
- 6) Remove the card support bracket from the CDM chassis.








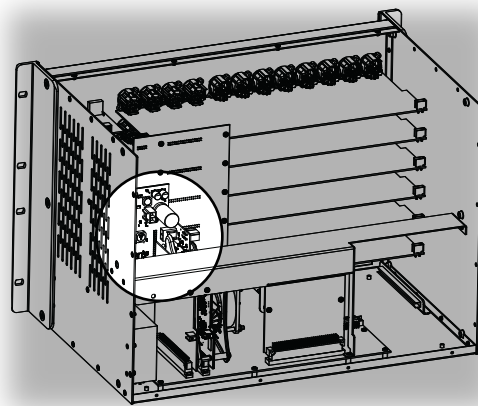
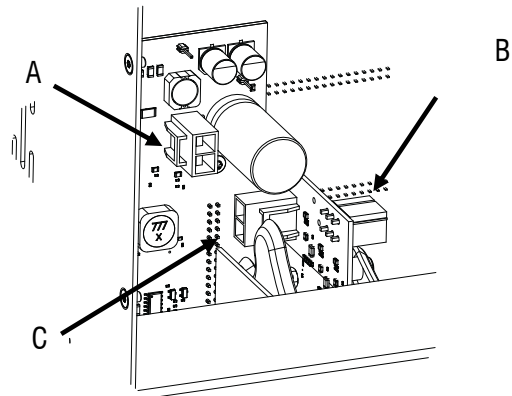
- 7) Fit the RackUltraFX Card to **slot D**.
- 8) Replace the card support bracket and secure with screws.
- 9) Replace the screws securing the DSP FX card.
- 10) Fit the screws securing the RackUltraFX Card.



- 11) Remove cable fitted at socket A and reconnect to socket C.
- 12) Fit cable 004-1765-A connecting socket A to socket B.

 The cable excess should lie between the card support bracket and the rear panel.

- 13) Cable 004-1765-A should be secured using a cable tie to the cable **now** fitted to **socket C**.
- 14) Flush cut excess on cable tie using side cutters.





15) Refit the rear panel as per steps 1 & 2.

16) Attach decals from kit provided (suggested fitting locations shown by arrows).

