



# DRYERS

**SAFETY INFORMATION** .....3

**USING THE DRYER**

Getting Started ..... 4

Loading .....8

Features.....8

**CARE AND CLEANING**.....9

**INSTALLATION INSTRUCTIONS** .....12

Stacking (Optional) .....20

Reversing The Door Swing (Optional).... 22

**TROUBLESHOOTING TIPS**..... 24

**LIMITED WARRANTY** .....27

**CONSUMER SUPPORT** .....28

**OWNER'S MANUAL & INSTALLATION INSTRUCTIONS**

GFT14

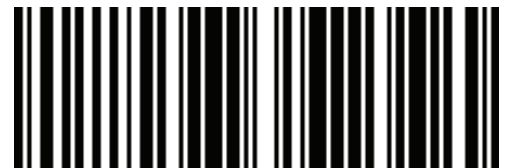
**ENGLISH/FRANÇAIS/ESPAÑOL**

Write the model and serial numbers here:

Model # \_\_\_\_\_

Serial # \_\_\_\_\_

They are on the label on the front of the dryer behind the door.



0020507767Z 49-3000311 Rev 4 03-24

**THANK YOU FOR MAKING GE APPLIANCES A PART OF YOUR HOME.**

---

Whether you grew up with GE Appliances, or this is your first, we're happy to have you in the family.

We take pride in the craftsmanship, innovation and design that goes into every GE Appliances product, and we think you will too. Among other things, registration of your appliance ensures that we can deliver important product information and warranty details when you need them.

Register your GE appliance now online. Helpful websites and phone numbers are available in the Consumer Support section of this Owner's Manual. You may also mail in the pre-printed registration card included in the packing material.



# IMPORTANT SAFETY INFORMATION

## READ ALL INSTRUCTIONS BEFORE USING THE APPLIANCE

### **▲ WARNING**

To reduce the risk of fire, explosion, electric shock, or injury to persons when using your appliance, follow basic precautions, including the following:

- Read all instructions before using the appliance.
- **DO NOT** dry articles that have been previously cleaned in, washed in, soaked in, or spotted with gasoline, dry-cleaning solvents, or other flammable or explosive substances, as they give off vapors that could ignite or explode.
- **DO NOT** place items exposed to cooking oils in your dryer. Items contaminated with cooking oils may contribute to a chemical reaction that could cause a load to catch fire. To reduce the risk of fire due to contaminated loads, the final part of the tumble dryer cycle occurs without heat (cool down period). Avoid stopping a tumble dryer before the end of the drying cycle unless all items are quickly removed and spread out so that the heat is dissipated.
- Risk of suffocation and injury from entrapment: **DO NOT** allow children to play on or in this appliance. Close supervision of children is necessary when this appliance is used near children.
- Before the appliance is removed from service or discarded, remove the door to the drying compartment.
- **DO NOT** reach into the appliance if the drum is moving.
- **DO NOT** install or store this appliance where it will be exposed to the weather.
- **DO NOT** tamper with controls.
- **DO NOT** climb or stand on this unit.
- **DO NOT** repair or replace any part of this appliance or attempt any servicing unless specifically recommended in the user-maintenance instructions or in published user-repair instructions that you understand and have the skills to carry out.
- Follow all fabric care instructions and warnings to prevent melting of garments or damage to the appliance.
- **DO NOT** use fabric softeners or products to eliminate static unless recommended by the manufacturer of the fabric softener or product.
- **DO NOT** use heat to dry articles containing foam rubber or similarly textured rubber-like materials.
- Clean lint screen and clean and empty the condenser before or after each load.
- **DO NOT** operate the dryer without the lint filter and condenser in place.
- **DO NOT** store combustible materials, gasoline or other flammable liquids near the dryer. Keep area around the air intake vent on the front of the dryer and adjacent surrounding areas free from the accumulation of lint, dust and dirt.
- The interior of the appliance should be cleaned periodically by qualified service personnel.
- Unplug the appliance or turn off the circuit breaker before servicing. Pressing the **Power** or **Start/Pause** button **DOES NOT** disconnect power.
- **DO NOT** operate this appliance if it is damaged, malfunctioning, partially disassembled, or has missing or broken parts, including a damaged cord or plug.
- **DO NOT** use replacement parts that have not been recommended by the manufacturer. (e.g. parts made at home using a 3D printer).
- **DO NOT** spray any type of aerosol into, on or near dryer at any time. **DO NOT** use any type of spray cleaner when cleaning dryer interior. Hazardous fumes or electrical shock could occur.
- See "ELECTRICAL CONNECTION" located in the Installation Instructions for grounding instructions.

### **Proper Disposal of your Appliance**

- Dispose of or recycle your appliance in accordance with Federal and Local Regulations. Contact your local authorities for the environmentally safe disposal or recycling of your appliance.
- Consider recycling options for your appliance packaging material.

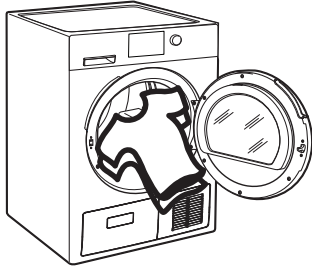
## READ AND SAVE THESE INSTRUCTIONS

# Getting started

**WARNING** To reduce the risk of fire, electric shock, or injury to persons, read the IMPORTANT SAFETY INFORMATION before operating this appliance.

Throughout this manual, features and appearance may vary from your model.

**Step 1**



- Loosely add items.
- Close door.

**NOTE:** Dryer will not start with door open.

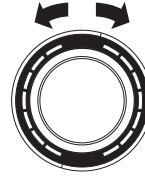
**Step 2**

Power



- If the screen is dark, press the Power button to “wake up” the display.

**Step 3**



- Select a dry cycle. (Defaults are set for each dry cycle. These default settings can be changed. See control settings for more information.)

OR



- Press Timed Dry button, rotate knob to adjust time, and press Temp button to set your own temperature.

**Step 4**

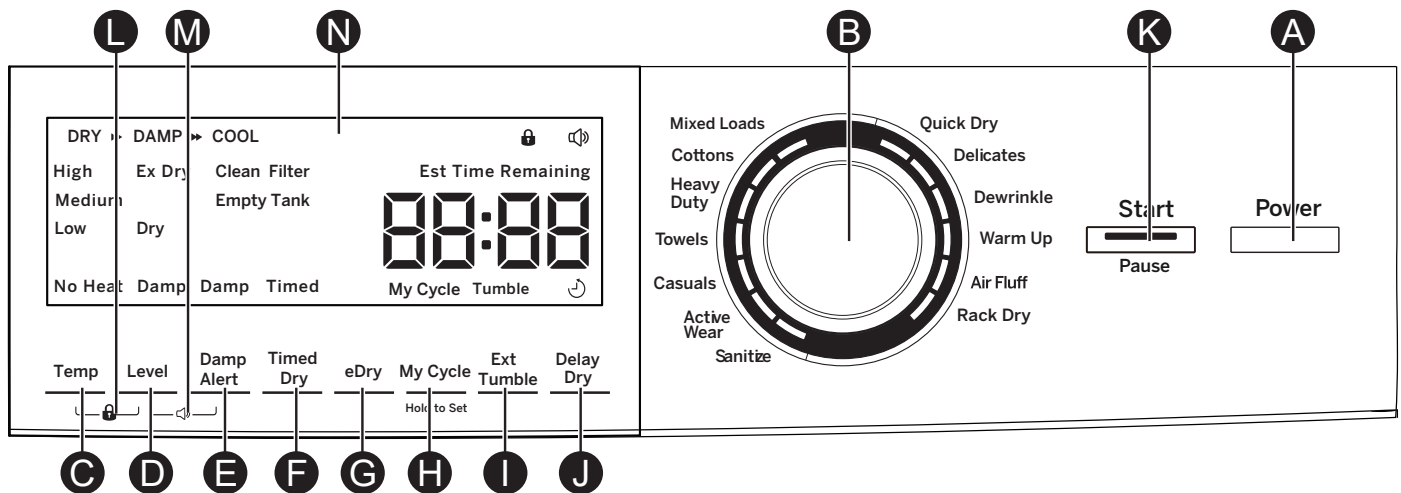
Start



Pause

- Press the Start/Power button.

## Controls



# Getting started

## A Power

Press to “wake up” the display. If the display is active, press to turn the dryer off.

**NOTE:** Pressing **Power** does not disconnect the appliance from the power supply.

## B Dry Cycles

The dry cycle controls the cycle time for the drying process. The chart below will help you match the dry setting with the loads.

|  |  |
|--|--|
| <b>Mixed Loads or Normal</b><br>(Depending on model) | For loads consisting of cottons and poly blends.   |
| <b>Cottons</b>                                       | For cottons and most linens. <b>NOTE: Energy Star®</b> models are tested on <b>Cottons</b> with default settings.  |
| <b>Heavy Duty</b>                                    | For large coats, bed spreads, mattress covers, sleeping bags, blankets, comforters, jackets, small rugs, and similar large and bulky items.  |
| <b>Towels</b>  | Use for towels OR sheets. It is not recommended to mix towels and sheets in the same load.   |
| <b>Casuals</b>                                       | For wrinkle-free, permanent press and delicate items, and knits.   |
| <b>Active Wear</b>                                   | Clothing worn for active sports exercise and some casual wear. Fabrics include new technology finishes and stretch fibers such as Spandex. Also for clothing labeled Easy Care or Perma Press: For wrinkle-free and permanent press items. |
| <b>Sanitize</b>                                      | Reduces certain types of bacteria by 99.6%, including: Staphylococcus aureus and Pseudomonas aeruginosa. The antibacterial process occurs when high heat is used during a portion of this drying cycle.                                    |
| <b>Quick Dry</b>                                     | For small loads that are needed in a hurry, such as sports or school uniforms. Can also be used if the previous cycle left some items damp, such as collars or waistbands.   |
| <b>Delicates</b>                                     | For lingerie and special-care fabrics.   |
| <b>Dewrinkle</b>                                     | For removing wrinkles from items that are dry or slightly damp. This cycle is not recommended for delicate fabrics.  |
| <b>Warm Up</b>                                       | Provides 25 minutes of warming time to warm up clothes.  |
| <b>Air Fluff</b>                                     | Provides 30 minutes of tumbling time without heat.   |
| <b>Rack Dry</b>                                      | For drying delicate items without tumbling, use drying rack accessory. Place items flat on the drying rack such as wool sweaters and delicate fabrics. Dry with low heat.  |

## C Temp

### Temp (Temperature)

You can change the temperature of your dry cycle.

|                |  |
|----------------|--|
| <b>High</b>    | For regular to heavy cottons.  |
| <b>Medium</b>  | For synthetics, blends and items labeled Permanent Press.  |
| <b>Low</b>     | For delicates, synthetics and items labeled Tumble Dry Low.  |
| <b>No Heat</b> | This option may only be used with <b>Air Fluff</b> and <b>Timed Dry</b> , in which items are tumbled without heat. |

## Getting started

**D** Level **Level**

The sensor continuously monitors the amount of moisture in the load. When the moisture in your clothes reaches your selected dry level, the dryer will stop.

**NOTE:** Sensor dry **Level** can be used with all cycles except **Timed Dry**, **Air Fluff**, **Rack Dry**, **Warm Up** and **Dewrinkle**.

|               |  |
|---------------|--|
| <b>Ex Dry</b> | Use for heavy-duty fabrics or items that should be very dry, such as towels.                         |
| <b>Dry</b>    | Use for normal dryness level suitable for most loads. This is the preferred cycle for energy saving. |
| <b>Damp</b>   | For leaving items partially damp.  |

**E** Damp Alert **Damp Alert**

This option causes the dryer to beep when clothes have dried to a damp level. Remove items that you wish to hang dry. The **Damp Alert** will only beep when this option is selected, and the dryer will continue to dry.

Removing clothes and hanging them when they are damp can reduce the need to iron some items.

**F** Timed Dry **Timed Dry**

1. Press **Timed Dry** button. Lights around the knob will flash. Select the drying time by rotating the knob to increase or decrease the time in 10-minute increments up to 2 hours and 30 minutes.
2. Select the dry **Temp**.
3. Close the door.
4. Press **Start/Pause**.

**G** eDry **eDry (on some models)**

Reduces total energy consumption of specific dryer cycles by adjusting certain heat settings.

**NOTE: Cycle times will change when eDry is selected.**

**Energy Star®** models are tested on **Cottons** cycle with default settings to determine energy use rating of this dryer. The **eDry** option will default to on for **Cottons**. Temperature settings on High and dryness level setting on Dry are specifically designed for this cycle to reduce energy consumption. For optimal energy savings, turn **eDry** on. For optimal drying times, turn **eDry** off. Energy savings will vary across loads and cycles.

The **eDry** selection can be used with **Mixed Loads**, **Cottons**, **Heavy Duty**, **Towels**, **Casuals**, **Active Wear** and **Delicates**.

**H** My Cycle **My Cycle**

Set up your favorite combination of settings and save them here for one touch recall. These custom settings can be set while a cycle is in progress.

**To store a My Cycle combination of settings:**

1. Select your drying cycle.
2. Change **Temp** and **Level** settings to fit your needs.
3. Select any drying options you want.
4. Press and hold the **My Cycle** button for 3 seconds to store your selection. A beep will sound and the button will light up.

**To recall your stored My Cycle combination:**  
Press the **MY CYCLE** button before drying a load.

**To change your stored My Cycle combination:**  
Repeat steps 1–4.

**I** Ext Tumble **Extended Tumble**

Minimizes wrinkles by adding approximately 2 hours of no-heat tumbling after clothes are dry.

The estimated time remaining display will show “END”.

The extended tumble time does not get added to the cycle time on the display.

# Getting started

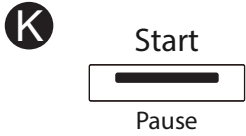


## Delay Dry

Use to delay the start of your dryer.

1. Choose your dry cycle and any options.
2. Press **Delay Dry**. You can change the delay time in 1 hour increments, using the **Delay Dry** button.
3. Press the **Start/Pause** button to start the countdown.

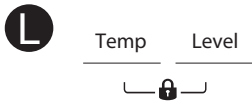
**NOTE:** If the door is opened while the dryer is in **Delay Dry**, the countdown time will not restart unless the door is closed and **Start/Pause** button has been pressed again.



## Start/Pause

Press to start a cycle. If the dryer is running, pressing it once will pause the dryer and unlock the door. This function can be used to add garments during a cycle. Press again to restart the cycle.

**NOTE:** If the dryer is paused and the cycle is not restarted within 15 minutes, the current cycle will be cancelled.



## Lock

You can lock the controls to prevent any selections from being made. Or you can lock or unlock the controls after you have started a cycle.

Children cannot accidentally start the dryer by touching pads with this option selected.

To lock the dryer, press and hold the **Temp** and **Level** buttons together for 3 seconds.

To unlock the dryer controls, press and hold the **Temp** and **Level** buttons together for 3 seconds. A sound is made to indicate the lock/unlock status.

The control lock icon on the display will light up when it is on.

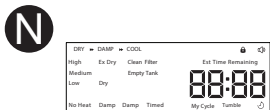
**NOTE:** The **Power** button can still be used when the machine is locked.



## Signal

When the light is on, the dryer will beep at the end of the cycle and every time you press a button on the control panel.

To turn the signal off, press and hold the **Level** and **Damp Alert** buttons together for 3 seconds. A sound is made to indicate the lock/unlock status.



## Display and Status Lights

The display shows the approximate time remaining until the end of the cycle.

**In addition, this display will show the dryer status:**

|                           |  |
|---------------------------|--|
| <b>Status</b>             | DRY ► DAMP ► COOL  |
|                           | Controls locked on.  |
|                           | End of cycle signal on.  |
| <b>Clean Filter</b>       | Time to clean the filter. See the <b>Care and Cleaning</b> section.                                    |
| <b>Empty Tank</b>         | Time to empty the water tank. See the <b>Care and Cleaning</b> section.                                |
| <b>Temp</b>               | Shows <b>High</b> , <b>Medium</b> , <b>Low</b> or <b>No Heat</b> temperature setting selected.         |
| <b>Level</b>              | Shows <b>Extra Dry</b> , <b>Dry</b> or <b>Damp</b> dryness setting selected.                           |
| <b>Damp Alert</b>         | Indicates <b>Damp Alert</b> is set and will sound when the clothes have dried to a damp dryness level. |
| <b>Timed</b>              | Indicates that a <b>Timed Dry</b> cycle is set. Will turn off after cycle is finished.                 |
| <b>Est Time Remaining</b> | Display shows the estimated time remaining until set cycle is completed.                               |
| <b>My Cycle</b>           | Indicates the <b>My Cycle</b> feature is set.  |
| <b>Ext Tumble</b>         | Indicates the <b>Extended Tumble</b> feature is set.   |
|                           | Indicates <b>Delay Dry</b> is set time is selected.  |

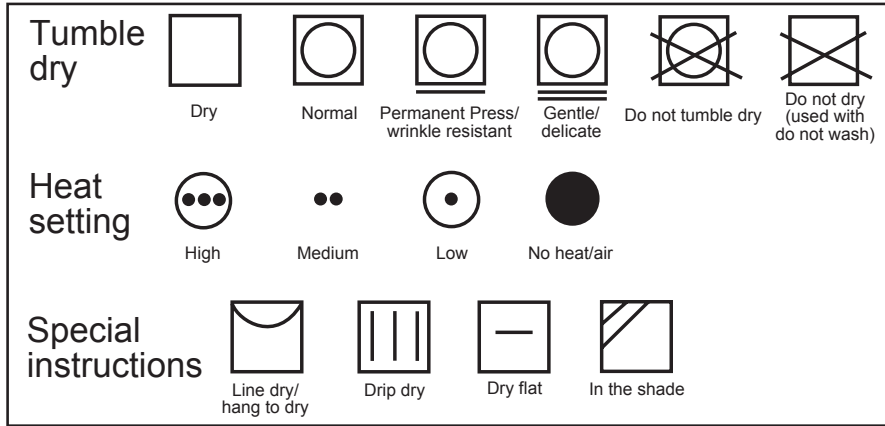
# Loading

Always follow fabric manufacturer's care label when laundering.

## Fabric Care Labels

Below are fabric care label "symbols" that affect the clothing you will be laundering.

### Dry Labels



## Sorting and Loading Hints

### **WARNING** - Fire Hazard

- Keep flammable materials and vapors, such as gasoline, away from dryer.
- **DO NOT** dry anything that has ever had anything flammable on it (even after washing).
- No washer can completely remove oil.
- **DO NOT** dry anything that has ever had any type of oil on it (including cooking oils).
- Items containing foam, rubber, or plastic must be dried on a clothesline.
- Failure to do so can result in death, explosion, or fire.

As a general rule, if clothes are sorted properly for the washer, they are sorted properly for the dryer. Try also to sort items according to size. For example, do not dry a sheet with socks or other small items.

Do not add fabric softener sheets once the load has become warm. They may cause fabric softener stains. Bounce® Fabric Conditioner Dryer Sheets have been approved for use in this dryer when used in accordance with the manufacturer's instructions.

**Do not overload.** This wastes energy and causes wrinkling.

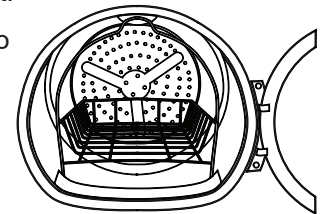
## Drying Rack

A handy drying rack may be used for drying delicate items such as washable sweaters. Place items flat on the drying rack and block such items as wool sweaters and delicate fabrics. Dry with low heat.

To install the drying rack, extend the drying rack into the dryer drum and rest the front two legs on the front angled ledge.

### NOTES:

- The drying rack is designed for use with the **Timed Dry** cycle. Use with sensor cycles may result in damp items or extended cycle times.
- Do not use this drying rack when there are other clothes in the dryer, that are not placed on the rack.
- The drying rack, **WE01X26416**, is available as an accessory. Order on-line at **GEApplianceparts.com**, 24 hours a day or by phone at **877.959.8688** during normal business hours.





# Care and cleaning

## Interior

The interior of the appliance should be cleaned once a year by qualified service personnel.

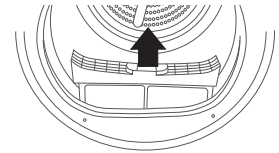
## Exterior

Wipe or dust any spills or washing compounds with a damp cloth. Dryer control panel and finishes may be damaged by some laundry pretreatment soil and stain remover products. Apply these products away from the dryer. The fabric may then be washed and dried normally. Damage to your dryer caused by these products is not covered by your warranty.

## Lint Filter

Clean the lint filter before each use.

Pull out the lint filter. Moisten your fingers and remove the captured lint. Once clean, slide the filter back into position. Have a qualified technician vacuum the lint from the dryer once a year.



**NEVER OPERATE THE DRYER WITHOUT ITS FILTER IN PLACE.**

## Stainless Steel

To clean stainless steel surfaces use a damp cloth with a mild, non-abrasive cleaner suitable for stainless steel surfaces. Remove the cleaner residue and then dry with a clean cloth.

The stainless steel used to make the dryer drum provides the highest reliability available in a GE Appliances dryer. If the dryer drum should be scratched or dented during normal use, the drum will not rust or corrode. These surface blemishes will not affect the function or durability of the drum.

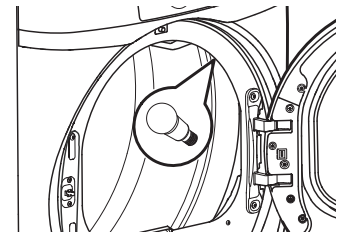
## Drum Lamp

**NOTE:** The drum lamp is not consumer replaceable on models where there is a flat cover over an LED bulb. If this light should ever stop working, call for service.

### For models that have a domed cover over the bulb secured by a screw:

Before replacing the light bulb, be sure to unplug the dryer power cord or disconnect the dryer at the household distribution panel by removing the fuse or switching off the circuit breaker. Reach above dryer opening from inside the drum to locate the light.

Remove the screw and the plastic cover to access the bulb. Replace with the appropriate bulb and then reattach the cover and screw.



Order replacement bulb **WE11X26351** on-line at **GEApplianceparts.com**, by phone at **877.959.8688** during normal business hours, or purchase appliance bulb **7C7** from your local retailer.

When the door is opened, the drum lamp automatically turns on and remains on for 2 minutes. When the door is closed, the drum lamp will remain on for 30 seconds.

### **⚠ WARNING** - Electrical Shock Hazard

Disconnect power supply before servicing.  
Replace all parts and panels before operating.  
Failure to do so can result in death or electrical shock.

### **⚠ WARNING** - Shock Hazard

Certain internal parts are intentionally not grounded and may present a risk of electric shock only during servicing.

**Service personnel – DO NOT** contact the following parts while the appliance is energized: motor start capacitor, motor metal holder, and drum wheel shaft.

# Care and cleaning

## Water Tank

**REMOVE THE CONDENSED WATER IN THE TANK AFTER EVERY DRYING CYCLE.**

**NOTE:** If drain hose is installed, emptying the water tank is not required. See the **CONNECTING THE DRAIN HOSE** section in the Installation Installations of this manual.

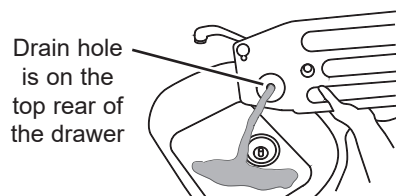
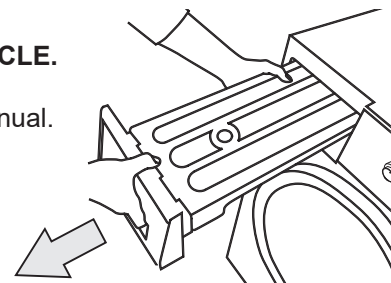
- Pull out the water tank.

When removing the water tank from the product, hold it using both hands as it is heavy and take care not to spill any water inside the tank.

- Remove the condensed water inside the water tank.

To avoid over filling, which could lead to water leaking outside the unit, drain water left in water tank after each cycle. Over filling will cause cycle to stop prematurely until emptied.

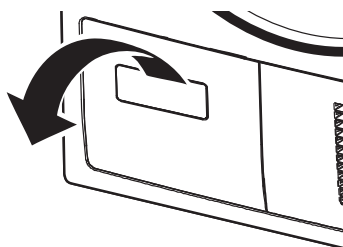
**NOTE:** When the **Empty Tank** indicator light is on, the dryer will not operate until the tank is emptied and the indicator has been cleared. Press the **Start** button and the indicator light will turn off and the dryer will resume the cycle.



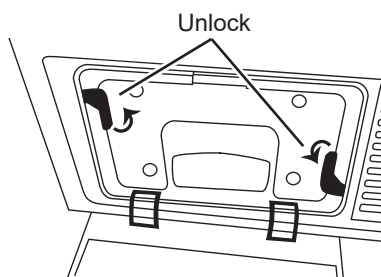
## Condenser

**THE CONDENSER SHOULD BE CLEANED ONCE PER MONTH.**

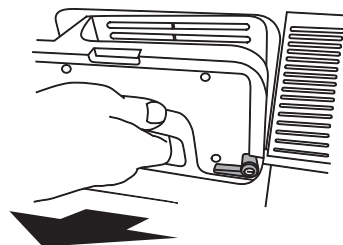
- Open the condenser compartment cover.



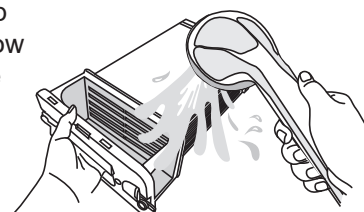
- Unlock both locking tabs.



- Remove the condenser box from the condenser compartment.



- Clean the condenser box and inside the condenser compartment completely. Use tap water to clean between the grooves of the condenser box by allowing tap water to flow through it. Reach inside the condenser compartment and wipe away all debris. Make sure the rubber gaskets on the condenser box are free of debris before reinstalling.



### NOTES:

- Make sure to clean your condenser once per month to prevent degradation of the dryer's performance.
- When assembling the condenser after cleaning it, make sure the locking tabs are set to the lock position. **Never run the dryer without the condenser installed.**



# Installation Instructions

# Dryer

If you have any questions, call GE Appliances at 800.GE.CARES (800.432.2737) or visit our Website at: [GEAppliances.com](http://GEAppliances.com)  
In Canada, call 800.561.3344 or visit [www.GEAppliances.ca](http://www.GEAppliances.ca)

## BEFORE YOU BEGIN

Read these instructions completely and carefully.

- **IMPORTANT** – Save these instructions for local electrical inspector's use.
- **IMPORTANT** – Observe all governing codes and ordinances.
- Install the clothes dryer according to the manufacturer's instructions and local codes.
- **Note to Installer** – Be sure to leave these instructions with the Consumer.
- **Note to Consumer** – Keep these instructions for future reference.
- Clothes dryer installation must be performed by a qualified installer.
- Before the old dryer is removed from service or discarded, remove the dryer door.
- Service information and the wiring diagram are located in the control console.
- Do not allow children on or in the appliance. Close supervision of children is necessary when the appliance is used near children.
- Proper installation is the responsibility of the installer.
- Product failure due to improper installation is not covered under the Warranty.
- Install the dryer where the temperature is above 50°F for satisfactory operation of the dryer control system.

### **WARNING** - Fire Hazard

- **Risk of Fire** - Clothes dryer installation must be performed by a qualified installer.
- Install the clothes dryer according to these instructions and local codes.
- **DO NOT** install or store this appliance in any location where it could be exposed to water or weather.
- To reduce the risk of severe injury or death, follow all installation instructions.
- Save these instructions. (Installers: Be sure to leave these instructions with the customer.)

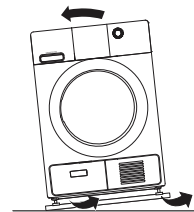
If you are planning to stack the washer and dryer, order Stacking Kit number **GFA24KITL** to be used for this dryer. Kit sold separately.

# Installation Instructions

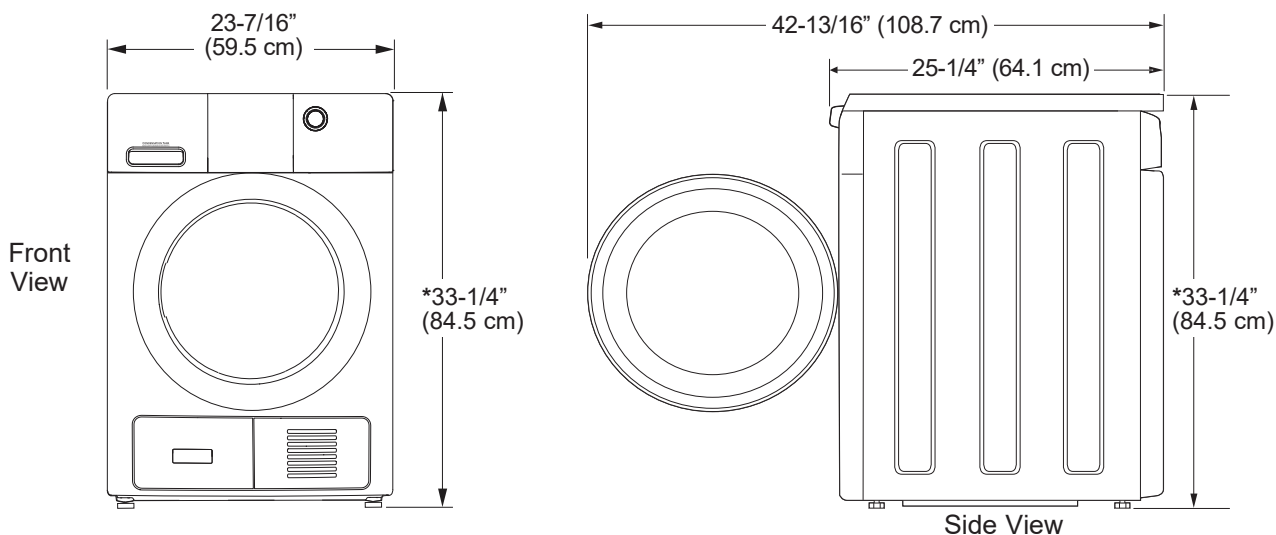
## UNPACKING YOUR DRYER

Tilt the dryer sideways and remove the foam shipping pads by pulling at the side breaking them away from the dryer legs. Be sure to remove all of the foam piece around the legs.

Remove the bag containing the literature.



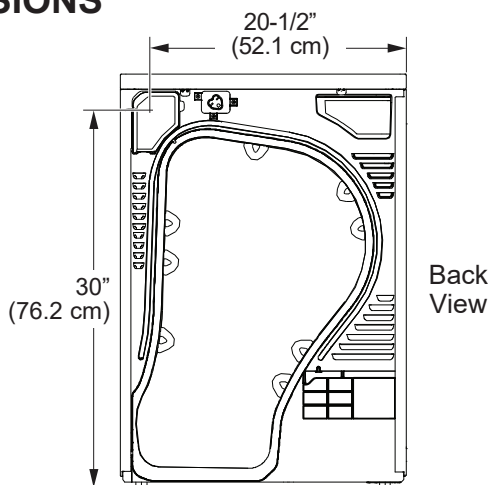
## DRYER DIMENSIONS



**\*NOTE:**

- With leveling legs retracted: 33-1/4 (84.5 cm)
- With leveling legs fully extended: 33-5/8 (85.4 cm)
- Stacked: 66-1/2" (168.9 cm)

## ELECTRICAL CONNECTION DIMENSIONS



## POWER CORDS

GE Appliances strongly recommends the use of factory specified parts. Select the power cord to fit your installation requirements.

| Part Number | Type    | Length | Amperage |
|-------------|---------|--------|----------|
| WX9X2       | 3-Prong | 4 Feet | 30       |
| WX9X3       | 3-Prong | 5 Feet | 30       |
| WX9X4       | 3-Prong | 6 Feet | 30       |
| WX9X18      | 4-Prong | 4 Feet | 30       |
| WX9X19      | 4-Prong | 5 Feet | 30       |
| WX9X20      | 4-Prong | 6 Feet | 30       |

Order on-line at [GEApplianceparts.com](http://GEApplianceparts.com) today, 24 hours a day or by phone at 877.959.8688 during normal business hours. In Canada, visit your local GE Appliances parts distributor or call 800.661.1616 or [GEAppliances.ca/en/products/parts-filters-accessories](http://GEAppliances.ca/en/products/parts-filters-accessories).

# Installation Instructions

## REQUIREMENTS FOR ALCOVE OR CLOSET INSTALLATION

### **⚠ WARNING** - Explosion Hazard

Keep flammable materials and vapors, such as gasoline, away from dryer.

Place dryer at least 18" (46 cm) above the floor for a garage installation.

Failure to do so can result in death, explosion, or fire.

- Minimum clearance between dryer cabinet and adjacent walls or other surfaces is:
  - 0" either side
  - 1" front and rear
  - 1" top
- The rear of the dryer should face a wall.
- Consideration must be given to provide adequate clearance for installation and service.
- Closet doors must be louvered or otherwise ventilated and have at least 60 square inches of open area. If the closet contains both a washer and a dryer, doors must contain a minimum of 120 square inches of open area.

## MINIMUM CLEARANCE OTHER THAN ALCOVE OR CLOSET INSTALLATION

Minimum clearance to combustible surfaces and for air opening are: 0" both sides, 1" rear and 1" top.

The rear of the dryer should face a wall.

Consideration must be given to provide adequate clearance for installation and service.

## MOBILE OR MANUFACTURED HOME INSTALLATION

- Installation **MUST** conform to the MANUFACTURED HOME CONSTRUCTION AND SAFETY STANDARD, TITLE 24, PART 3280 or STANDARD FOR MOBILE HOMES CAN/CSA-Z240 MH, or, when such standards are not applicable, with AMERICAN NATIONAL STANDARD FOR MOBILE HOME, ANSI/NFPA NO. 501B.
- Provide an opening with a free area of at least 25 square inches for introduction of outside air into the dryer room.
- See the sections for electrical connection information.

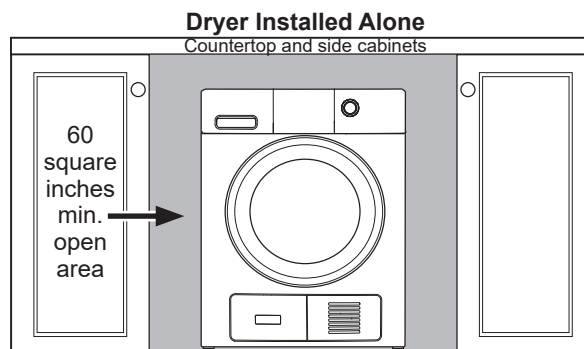
## BATHROOM OR BEDROOM INSTALLATION

The installation must conform with local codes or, in the absence of local codes, with the NATIONAL ELECTRICAL CODE, ANSI/NFPA NO. 70 (for electric dryers).

## UNDERCOUNTER INSTALLATION

If an undercounter installation is desired:

- No special dryer installation kit is required.
- If the dryer is installed alone, a minimum of 60 square inches of open area is required. If a washer and dryer are installed together, a minimum of 120 square inches of open area is required.



# Installation Instructions

## CONNECTING AN ELECTRIC DRYER

### TOOLS YOU WILL NEED

- Slip-joint pliers



- Flat-blade screwdriver



- Phillips screwdriver



- Level



### MATERIALS YOU WILL NEED

- Safety glasses



- Gloves

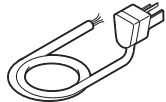


- 3/4" Strain relief (UL recognized)



- Dryer power cord kit (not provided with dryer)

UL rated 120/240V, 30A with 3 or 4 prongs. Identify the plug type as per the house receptacle before purchasing line cord.



Stacking installations may require a power cord up to 6 feet in length.

Before making the electrical connection, turn off the circuit breaker(s) or remove the dryer's circuit fuse(s) at the electrical box. Be sure the dryer cord is unplugged from the wall. **NEVER LEAVE THE ACCESS COVER OFF THE TERMINAL BLOCK.**



### **⚠ WARNING** - Electrical Shock Hazard

Disconnect power supply before servicing. Replace all parts and panels before operating. Failure to do so can result in death or electrical shock.

### **⚠ WARNING** - Shock Hazard

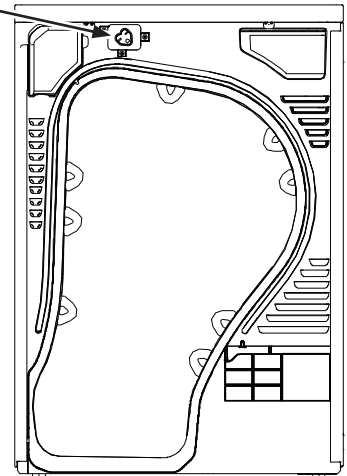
Certain internal parts are intentionally not grounded and may present a risk of electric shock only during servicing.

**Service personnel – DO NOT** contact the following parts while the appliance is energized: motor start capacitor, motor metal holder, and drum wheel shaft.

### RECEPTACLE FOR CONNECTION TO SPECIFIED WASHERS

Receptacle

Not a general-use receptacle – For use with washers GFW148 or QFW150, GFQ14 only.



# Installation Instructions

## ELECTRICAL CONNECTION INFORMATION FOR ELECTRIC DRYERS

For electrical connections using a power cord:

### **WARNING** - Fire Hazard

Use a new UL-listed 240V 30 amp dryer power supply cord with closed ring terminals or spade terminals with upturned ends.

Use a UL-listed strain relief.

Disconnect power before making electrical connections.

Connect neutral wire (white or center wire) to center terminal.

Ground wire (green or bare wire) must be connected to green ground connector.

Connect remaining two supply wires to remaining two terminals.


Securely tighten all electrical connections.

Replace the terminal block cover.

Failure to do so can result in death, fire or electrical shock.

## GROUNDING INSTRUCTIONS

**For a grounded, cord-connected dryer:** This dryer must be grounded. In the event of a malfunction or breakdown, grounding will reduce the risk of electric shock by providing a path of least resistance for electric current. This dryer uses a cord having an equipment-grounding conductor and a grounding plug. The plug must be plugged into an appropriate outlet that is properly installed and grounded in accordance with all local codes and ordinances.

** WARNING** Improper connection of the equipment-grounding conductor can result in a risk of electric shock. Check with a qualified electrician, or service representative or personnel, if you are in doubt as to whether the appliance is properly grounded. **DO NOT** modify the plug on the power supply cord. If it will not fit the outlet, have a proper outlet installed by a qualified electrician.

**SAVE THESE INSTRUCTIONS**

### **WARNING** - Electrical Shock Hazard

**TO PREVENT ELECTRIC SHOCK, DISCONNECT POWER BEFORE SERVICING.**

This dryer should be connected to an individual branch circuit with 10 gauge copper wire minimum through a 30 amp fuse or circuit breaker. **DO NOT** fuse neutral.

Use copper conductors only.

## ELECTRICAL CONNECTION INFORMATION FOR ELECTRIC DRYERS

For direct wire connections:

### **WARNING** - Fire Hazard

Use 10 gauge copper wire.

Use a UL-listed strain relief.

Disconnect power before making electrical connections.

Connect neutral wire (white or center wire) to center terminal.

Ground wire (green or bare wire) must be connected to green ground connector.

Connect remaining two supply wires to remaining two terminals.


Securely tighten all electrical connections.

Replace the terminal block cover.

Failure to do so can result in death, fire or electrical shock.

## GROUNDING INSTRUCTIONS

**For a permanently connected dryer:** This dryer must be connected to a grounded metal, permanent wiring system, or an equipment-grounding conductor must be run with the circuit conductors and connected to the equipment-grounding terminal on the appliance.

** WARNING** Improper connection of the equipment-grounding conductor can result in a risk of electric shock. Check with a qualified electrician, or service representative or personnel, if you are in doubt as to whether the appliance is properly grounded.

**SAVE THESE INSTRUCTIONS**

### **WARNING** - Electrical Shock Hazard

**TO PREVENT ELECTRIC SHOCK, DISCONNECT POWER BEFORE SERVICING.**

This dryer should be connected to an individual branch circuit with 10 gauge copper wire minimum through a 30 amp fuse or circuit breaker. **DO NOT** fuse neutral.

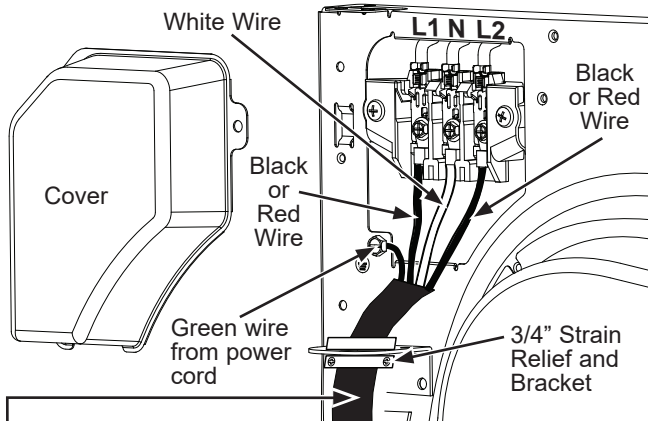
Use copper conductors only.



# Installation Instructions

## CONNECTING DRYER USING 4-WIRE CONNECTION (MUST BE USED FOR MOBILE HOME INSTALLATION)

**NOTE:** Since January 1, 1996, the National Electrical Code requires that new constructions use a 4-wire connection to an electric dryer. A 4-wire cord must also be used where local codes do not permit grounding through the neutral. 3-wire connection is NOT for use on new construction.



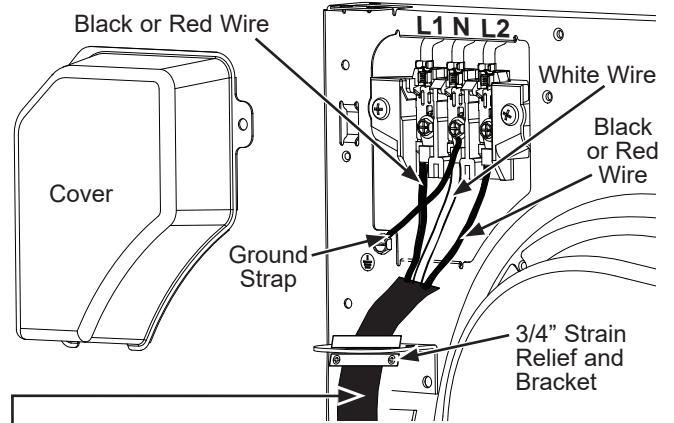
4 #10 AWG minimum copper conductors or 120/240V 30A power supply cord kit marked for use with dryers and provided with closed loop or spade terminals with upturned ends (not supplied).

1. Turn off the circuit breaker(s) (30 amp) or remove the dryer's circuit fuse at the electrical box.
2. Be sure the dryer cord is unplugged from the wall receptacle.
3. Remove the power cord cover located at the upper back.
4. Remove green ground screw and retain for use in Step 7. Remove center screw (marked N) in terminal block. Remove and discard ground strap.
5. Install 3/4 in. UL-recognized strain relief to power cord entry hole. Bring power cord through strain relief and bracket.
6. Connect power cord as follows:
  - A. Connect the 2 hot lines to the outer screws of the terminal block (marked L1 and L2).
  - B. Connect the neutral (white) line to the center of the terminal block (marked N).
7. Attach ground wire of power cord with the green ground screw (hole above strain relief bracket). Tighten all terminal block screws (3) securely.
8. Properly secure power cord to strain relief and bracket.
9. Reinstall the cover.

**NEVER LEAVE THE COVER OFF OF THE TERMINAL BLOCK.**

## CONNECTING DRYER USING 3-WIRE CONNECTION

If required, by local code, install external ground (not provided) to grounded metal, cold water pipe, or other established ground determined by a qualified electrician.



3 #10 AWG minimum copper conductors or 120/240V 30A power supply cord kit marked for use with dryers and provided with closed loop or spade terminals with upturned ends (not supplied).

### 3-wire Connection

Not for use in Canada.

DO NOT use for Mobile Home Installations.

NOT for use on new construction.

NOT for use on recreational vehicles.

NOT for use in areas where local codes prohibit grounding through the neutral conduction.

1. Turn off the circuit breaker(s) (30 amp) or remove the dryer's circuit fuse at the electrical box.
2. Be sure the dryer cord is unplugged from the wall receptacle.
3. Remove the power cord cover located at the upper back.
4. Install 3/4-in. UL-recognized strain relief to power cord entry hole. Bring power cord through strain relief and bracket.
5. Connect power cord as follows:
  - A. Connect the 2 hot lines to the outer screws of the terminal block (marked L1 and L2).
  - B. Connect the neutral (white) line to the center of the terminal block (marked N).
6. Be sure ground strap is connected to green ground screw on cabinet rear. Tighten all terminal block screws (3) securely.
7. Properly secure power cord to strain relief and bracket.
8. Reinstall the cover.

**NEVER LEAVE THE COVER OFF OF THE TERMINAL BLOCK.**

# Installation Instructions

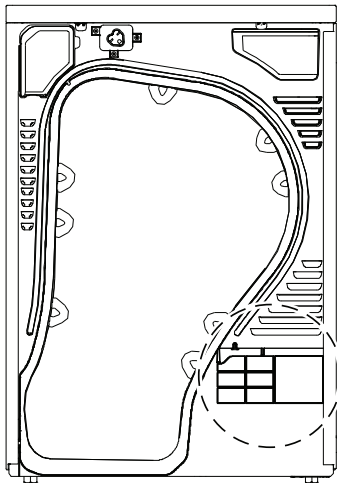
## CONNECTING THE DRAIN HOSE

### DRAINING WATER WITHOUT USING THE WATER TANK

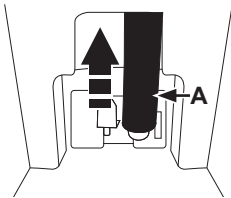
You can use the dryer without using the water tank by following the procedures below.

### CONNECTING THE DRAIN HOSE

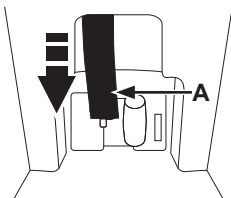
The dryer can pump the condensed water outside of the DRYER directly with drain hose provide. The procedures to connect the drain hose are as follows.



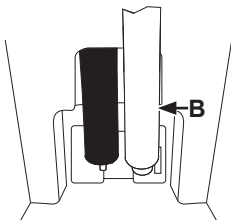
1. Disconnect the drain hose **A**.



2. Connect the drain hose **A** to the other hole.



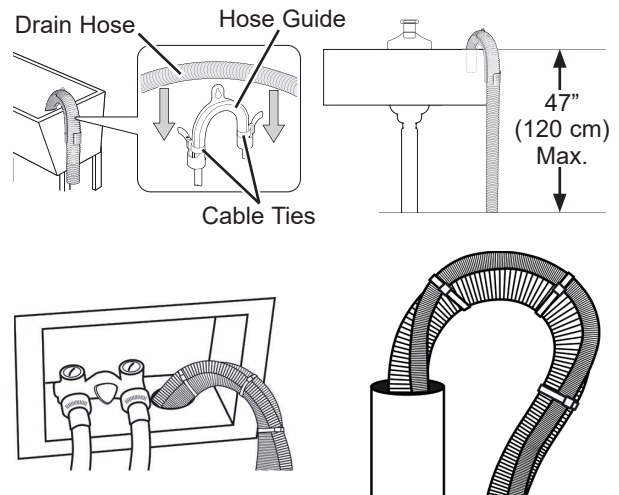
3. Connect accessory hose **B** (long drain hose) adjacent to hose **A**.



- When connecting hose **B**, take care that the height of the hose does not exceed 47" (120 cm).
- After connecting the drain hose, you can now directly drain the condensed water to a standpipe or washstand.

### CONNECTING THE DRAIN HOSE (CONT.)

4. Over the edge of a wash basin: The drain hose must be placed lower than 47" (120 cm) and higher than 30" (76 cm). To keep the drain hose spout bent, use the supplied plastic hose guide. Secure the guide to the wall with a hook or to the tap with a piece of string to prevent the drain hose from moving.
5. Assemble the drain hose and the hose guide and fix them with the cable-tie.



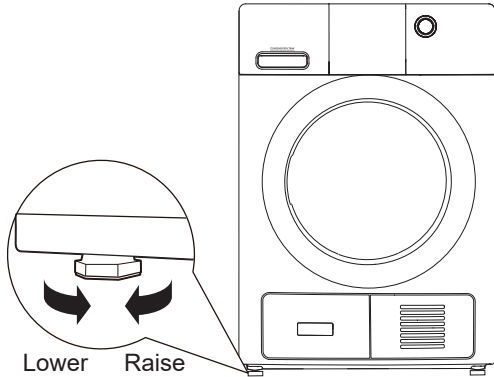
Do not push the drain hose in the standpipe any further than 4" (10 cm). Pushing the drain hose further in the standpipe can cause leaking.

# Installation Instructions

## FINAL SETUP

### 1 LEVEL THE DRYER

Stand the dryer upright near the final location and adjust the four leveling legs at the corners to ensure that the dryer is level from side to side and front to rear.



### 3 DRYER STARTUP

Press the **Power** button.

Power

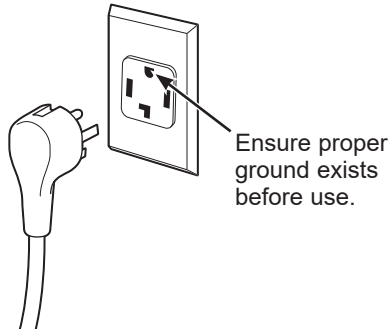


**NOTE:** If the dryer has been exposed to temperatures below freezing for an extended period of time, allow it to warm up before pressing **Power**. Otherwise, the display will not come on.

The dryer is now ready for use.

### 2 PLUG DRYER IN

**NOTE:** Stacking installations may require a power cord up to 6 feet in length.



# Installation Instructions

## STACKING THE WASHER AND DRYER (if desired)

If you are planning to stack the washer and dryer, order Stacking Kit number **GFA24KITL** to be used for this dryer. Kit sold separately.

### BEFORE YOU BEGIN

Read these instructions completely and carefully.

- **IMPORTANT** – Save these instructions for local electrical inspector's use.
- **IMPORTANT** – Observe all governing codes and ordinances.
- **Note to Installer** – Be sure to leave these instructions with the Consumer.
- **Note to Consumer** – Keep these instructions for future reference.
- Service **must** be performed by a qualified installer.
- Do not allow children on or in the appliance. Close supervision of children is necessary when the appliance is used near children.
- Proper installation is the responsibility of the installer.

### GE APPLIANCES STACK KIT

Order on-line at [GEApplianceParts.com](http://GEApplianceParts.com), 24 hours a day or by phone at **877.959.8688** during normal business hours.

|                    |                    |
|--------------------|--------------------|
| <b>Part Number</b> | <b>Accessory</b>   |
| <b>GFA24KITL</b>   | Complete Stack Kit |

### REQUIREMENTS FOR ALCOVE OR CLOSET INSTALLATION

#### **⚠ WARNING** - Explosion Hazard

Keep flammable materials and vapors, such as gasoline, away from dryer.

Place dryer at least 18" (46 cm) above the floor for a garage installation.

Failure to do so can result in death, explosion, or fire.

- Minimum clearance between dryer cabinet and adjacent walls or other surfaces is:
  - 0" either side
  - 1" front and rear
  - 1" top
- The rear of the dryer should face a wall.
- Consideration must be given to provide adequate clearance for installation and service.
- Closet doors must be louvered or otherwise ventilated and have at least 60 square inches of open area. If the closet contains both a washer and a dryer, doors must contain a minimum of 120 square inches of open area.

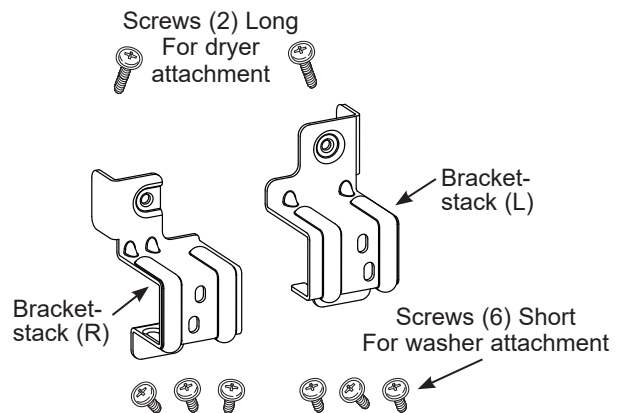
### MINIMUM CLEARANCE OTHER THAN ALCOVE OR CLOSET INSTALLATION

Minimum clearance to combustible surfaces and for air opening are: 0" both sides, 1" rear and 1" top.

The rear of the dryer should face a wall.

Consideration must be given to provide adequate clearance for installation and service.

### KIT CONTENTS (GE APPLIANCES KIT # GFA24KITL)



### TOOLS YOU WILL NEED

- Phillips screwdriver
- Gloves



- Level



### INSTALLATION PREPARATION

Remove the packaging.

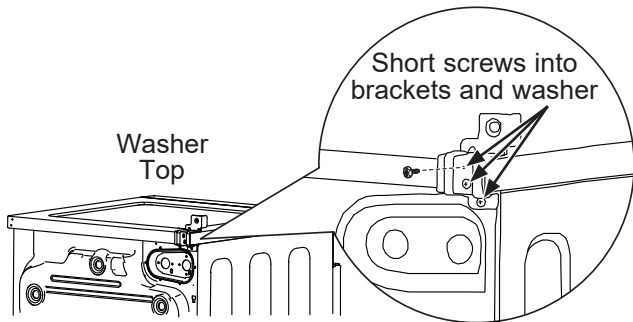
Flatten the product carton to use as a pad to lay the dryer down on its side. Continue using the carton to protect the finished floor in front of the installation location.

# Installation Instructions

## INSTALLING THE STACK BRACKET KIT

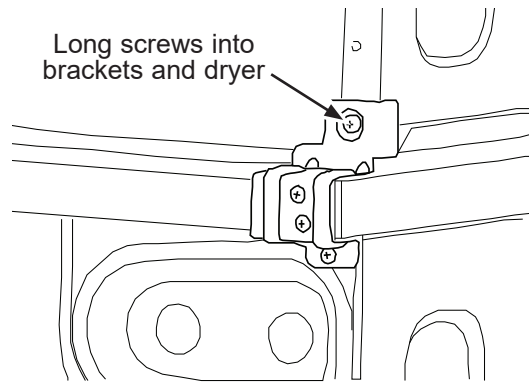
### 1 INSTALL BRACKET TO WASHER

- A. Remove washer top cap screw from the rear left. Align left bracket holes with top cap screw hole on rear left of the unit and replace screw.  
**NOTE:** Leave screws loose so dryer hole alignment will be easier.
- B. Drive next screw through the bracket into the rear of the washer.
- C. Repeat the above steps with the right side.



### 2 INSTALL DRYER AND BRACKET ON DRYER (CONT.)

- C. Tighten the dryer bracket screws; then tighten all stacking kit screws.



### 2 INSTALL DRYER AND BRACKET ON DRYER

**⚠ WARNING** Disconnect power before installing. Failure to do so could result in serious injury or death.

**⚠ WARNING**  - Excessive Weight Hazard

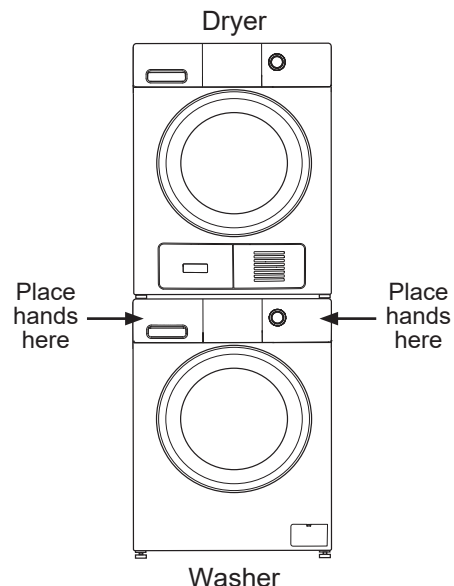
Failure to do so may result in back or other injury, or property damage.

- Use two or more people to install dryer.
  - Avoid tipping and rupture of utility services.
  - Dryer must be securely attached to the washer.
  - **DO NOT** place the washer on top of the dryer.
- A. Lift the dryer on top of the washer. Protect the washer control panel with cardboard or other protection. Be sure to lift the dryer high enough to clear the washer control panel.
- B. Align the holes in the bracket with the holes in the back of the dryer. Using a Phillips screwdriver, attach the 2 #8 x 1/2" tapping screws.

### 3 FINALIZE THE INSTALLATION

**⚠ CAUTION** Do not push on the dryer once installed to top of the washer. Pushing on the dryer may result in pinched fingers.

- A. Refer to the washer Installation Instructions to complete the washer installation.
- B. Refer to the dryer Installation Instructions to complete the dryer installation.
- C. Carefully slide or walk the stacked washer and dryer into place. Use felt pads or other sliding device to assist moving and to protect flooring.



# Installation Instructions

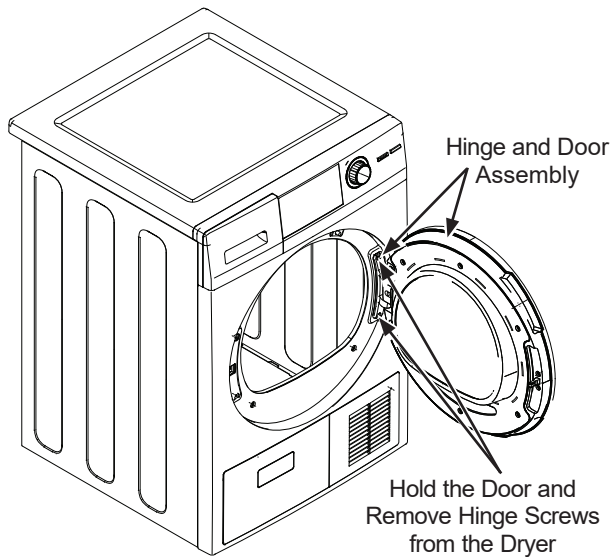
## REVERSING THE DOOR SWING (Optional)

### IMPORTANT NOTES

- Before you start, unplug the dryer from its electrical outlet.
- Handle parts carefully to avoid scratching paint.
- Provide a non-scratching work surface for the doors.
- Tools you will need: Phillips-head screwdriver.
- Once you begin, do not move the cabinet until door-swing reversal is completed.
- These instructions are for changing the hinges from the right side to the left side—if you ever want to switch them back to the right side, follow these same instructions and reverse all references to the left and right.

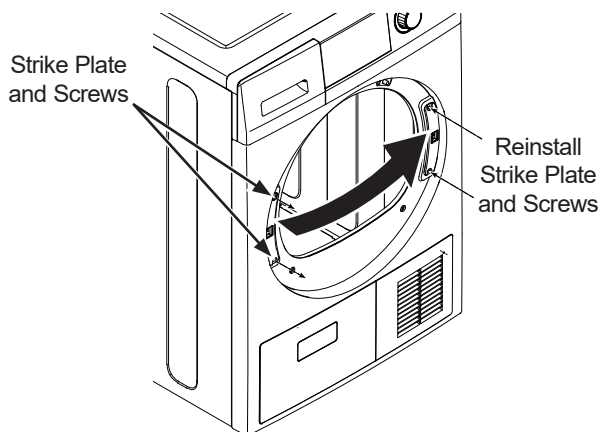
### 1 REMOVE THE DOOR ASSEMBLY

- Open the door. Remove the two screws holding the hinge/door assembly to the dryer. Carefully set the hinge/door assembly aside.



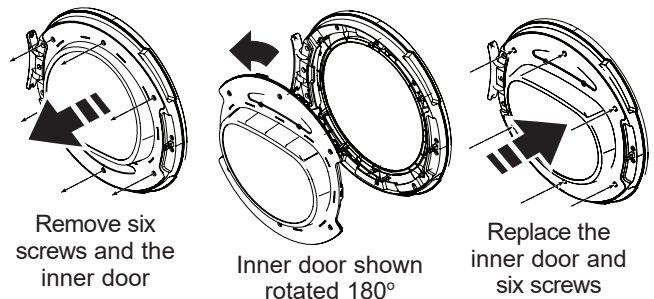
### 2 REMOVE, ROTATE AND REPLACE THE STRIKE PLATE

- Remove the two screws holding the strike plate. Rotate it and install it on the opposite side.



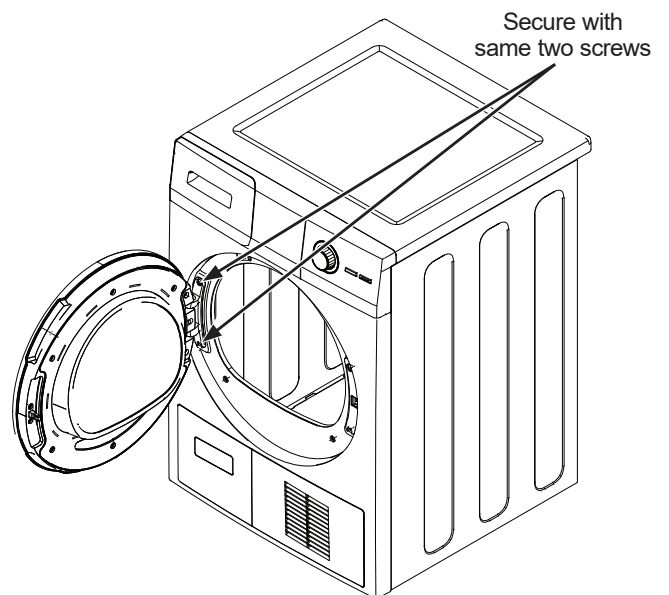
### 3 REMOVE, ROTATE AND REPLACE THE INNER DOOR

- Remove the six screws securing the inner door to the outer door. Remove the inner door, rotate it 180° and reinstall it into the outer door using the same six screws.



### 4 ROTATE AND REPLACE THE HINGE/DOOR ASSEMBLY

- Rotate and replace the hinge/door assembly, on the opposite side, using the same two screws.



# Notes

---

## Troubleshooting Tips... Before you call for service

| Problem   | Possible Cause  | What To Do  |
|---|---|---|
| Dryer shakes or makes noise                             | Some shaking/noise is normal. Dryer may be sitting unevenly.                                | Move dryer to an even floor space, or adjust leveling legs as necessary until even.   |
| Clothes take too long to dry                            | Improper sorting  | Separate heavy items from lightweight items (generally, a well-sorted washer load is a well-sorted dryer load).   |
|   | Large loads of heavy fabrics (like beach towels)  | Large, heavy fabrics contain more moisture and take longer to dry. Separate large, heavy fabrics into smaller loads to speed drying time.   |
|   | Non-venting dryer   | Condensing dryers usually take longer to dry than a vented dryer.   |
|   | Controls improperly set   | Match control settings to the load you are drying.  |
|   | Condenser box is clogged  | Remove and clean the condenser box. Also, clean the location where the condenser box is located ensuring all seals are free from debris. Put the condenser box back and lock it in place. See <b>Condenser</b> in the <b>Care and Cleaning</b> section. |
|   | Lint filter is full   | Clean lint filter before every load.  |
|   | Blown fuses or tripped circuit breaker  | Replace fuses or reset circuit breakers. Since most dryers use 2 fuses/breakers, make sure both are operating.  |
|   | Overloading/combining loads   | Do not put more than one washer load in the dryer at a time.  |
|   | Underloading  | If you are drying only one or two items, add a few items to ensure proper tumbling.   |
| The Dry dryness level was chosen but load is still damp | Load consists of a mixture of heavy and light fabrics                                       | When combining heavy and light fabrics in a load, choose <b>More Dry</b> .  |
|   | Lint filter, condenser, and/or air intake vent located on the front of the dryer is blocked | Inspect and clean lint filter, condenser, and/or air intake vent located on the front of the dryer.   |
|   | Dry Sensor is dirty   | Clean the sensor with a moist cloth.  |
| Control buttons not responding                          | Controls accidentally put in service mode   | Press <b>Start/Pause</b> .  |
|   | Controls accidentally put in lock mode  | Hold the <b>Lock Control</b> button for 3 seconds to unlock the dryer.  |
|   | Controls performed an incorrect operation   | Reset the in-house breaker.   |
| Dryer doesn't start                                     | Control panel is "asleep"   | This is normal. Press <b>Power</b> to activate the control panel.   |
|   | Dryer is unplugged  | Make sure the dryer plug is pushed completely into the outlet.  |
|   | Fuse is blown/circuit breaker is tripped  | Check the building's fuse/circuit breaker box and replace fuse or reset breaker. <b>NOTE:</b> Electric dryers use two fuses or breakers.  |
|   | Dryer was accidentally paused when starting Delay Dry                                       | If the light on the <b>Start/Pause</b> button is flashing, the dryer is paused. Press <b>Start/Pause</b> to restart the countdown.  |
|   | Water tank is full  | If the <b>Empty Tank</b> light is on, you must empty the water tank before the dryer will start. Refer to the <b>Care and Cleaning</b> section for instructions on emptying the water tank.   |
| No numbers displayed during cycle, only lights          | Dryer is continuously monitoring the amount of moisture in the clothes                      | This is normal. When the dryer senses a low level of moisture in the load, the dryer will display the dry time remaining.   |



# Troubleshooting Tips... Before you call for service

| Problem   | Possible Causes   | What To Do   |
|---|---|--|
| Time Remaining jumped to a lower number                     | The estimated time may change when a smaller load than usual is drying  | This is normal.  |
| Cannot make a selection and the dryer beeps twice           | The dryness Level, Temp or option that you are trying to select is incompatible with the chosen dry cycle                   | This is normal.  |
| Dryer is running but 00 is displayed in Time Remaining      | The Ext Tumble option was chosen  | This is normal. During extended tumbling, the time remaining is not displayed. The extended tumbling option lasts approximately 60 minutes.  |
| Clean Lint Filter (message)                                 | Power button was activated  | Press <b>Start/Pause</b> to begin a dry cycle and the message will disappear.  |
| Dryer doesn't heat  | Fuse is blown/circuit breaker is tripped; the dryer may tumble but not heat   | Check the building's fuse/circuit breaker box and replace both fuses or reset both breakers. Your dryer may tumble if only one fuse is blown or one breaker tripped.                   |
| Inconsistent drying times                                   | Type of load and drying conditions  | The load size, types of fabric, wetness of clothes and the condition of the lint filter, condenser, and/or air intake vent located on the front of the dryer will affect drying times. |
|   | Excess debris has collected on the condenser preventing proper airflow  | Refer to the <b>Care and Cleaning</b> section.   |
| Glow at the rear of the drum                                | Heaters behind the drum   | This is normal. Under certain drying conditions and room ambient lighting, the glow of the heaters may be visible at the rear of the drum.   |
| Clothes are still wet and dryer shut off after a short time | The door was opened mid-cycle. The load was then removed from the dryer and a new load put in without selecting a new cycle | A dry cycle must be reselected each time a new load is put in.   |
|   | Small load  | When drying 3 items or less, choose <b>Quick Dry</b> or <b>Time Dry</b> .  |
|   | Load was already dry except for collars and waistbands  | Choose <b>Quick Dry</b> or <b>Time Dry</b> to dry damp collars and waistbands. In the future, when drying a load with collars and waistbands, choose <b>More Dry</b> .                 |
|   | Dryer is not level  | Move dryer to an even floor space or adjust leveling legs as necessary until even.   |
| Clothes are wrinkled  | Overdrying  | Select a shorter drying time. Remove items while they still hold a slight amount of moisture. Select a <b>Less Dry</b> or <b>Damp</b> setting.   |
|   | Letting items sit in dryer after cycle ends<br>Overloading  | Remove items when cycle ends and fold or hang immediately, or use the <b>Ext Tumble</b> option.<br>Separate large loads into smaller ones.   |

## Troubleshooting Tips... Before you call for service

| Problem   | Possible Causes  | What To Do   |
|---|--|--|
| Clothes shrink  | Some fabrics will naturally shrink when washed. Others can be safely washed, but will shrink in the dryer. | To avoid shrinkage, follow garment care labels exactly.<br>Some items may be pressed back into shape after drying.<br>If you are concerned about shrinkage in a particular item, do not machine wash or tumble dry it. |
| Greasy spots on clothes                               | Improper use of fabric softener  | Follow directions on fabric softener package.  |
|   | Drying dirty items with clean ones   | Use your dryer to dry only clean items. Dirty items can stain clean items and the dryer.   |
|   | Clothes were not completely clean  | Sometimes stains which cannot be seen when the clothes are wet appear after drying. Use proper washing procedures before drying.   |
| Lint on clothes                                       | Lint filter is full  | Clean lint screen before each load.  |
|   | Improper sorting   | Sort lint producers (like chenille) from lint collectors (like corduroy).  |
|   | Static electricity can attract lint  | See suggestions in this section under <b>Static occurs</b> .   |
|   | Overloading  | Separate large loads into smaller ones.  |
|   | Paper, tissue, etc., left in pockets   | Empty all pockets before laundering clothes.   |
| Static occurs   | No fabric softener was used  | Try a fabric softener.<br>Bounce® Fabric Conditioner Dryer Sheets have been approved for use in all GE Appliances dryers when used in accordance with the manufacturer's instructions.                                 |
|   | Overdrying   | Try a fabric softener.<br>Adjust setting to <b>Less Dry</b> or <b>Damp</b> .   |
|   | Synthetics, permanent press and blends can cause static  | Try a fabric softener.   |
| Collars and waistbands still wet at end of cycle      | The dryness monitor senses that the body of the clothes is dry   | Choose <b>Quick Dry</b> or <b>Time Dry</b> to dry damp collars and waistbands. In the future, when drying a load with collars and waistbands, choose <b>More Dry</b> .   |
| Slight variation in metallic color                    | This is normal   | Due to the metallic properties of paint used for this unique product, slight variations of color may occur due to viewing angles and lighting conditions.  |
| Dryer continues to tumble after display says Complete | Ext Tumble was selected  | Ensure <b>Ext Tumble</b> option is not selected.   |

# GE Appliances Dryer Limited Warranty

**LIMITED WARRANTY**

## GEAppliances.com

All warranty service is provided by our Factory Service Centers, or an authorized Customer Care® technician. To schedule service online, visit us at [GEAppliances.com/service](http://GEAppliances.com/service), or call GE Appliances at 800.GE.CARES (800.432.2737). Please have your serial number and your model number available when calling for service.

Servicing your appliance may require the use of the onboard data port for diagnostics. This gives a GE Appliances factory service technician the ability to quickly diagnose any issues with your appliance and helps GE Appliances improve its products by providing GE Appliances with information on your appliance. If you do not want your appliance data to be sent to GE Appliances, please advise your technician not to submit the data to GE Appliances at the time of service.

| For the period of:  | We will replace:  |
|---|---|
| <b>One year</b><br>From the date of the original purchase | <b>Any part</b> of the dryer which fails due to a defect in materials or workmanship. During this <b>limited one-year warranty</b> , we will also provide, <b>free of charge</b> , all labor and related service to replace the defective part. |

### What is not covered:

- Service trips to your home to teach you how to use the product.
- Improper installation, delivery or maintenance.
- Failure of the product if it is abused, misused, or used for other than the intended purpose or used commercially.
- Replacement of house fuses or resetting of circuit breakers.
- Products which are not defective or broken, or which are working as described in the Owner's Manual.
- Damage to the product caused by accident, fire, floods or acts of God.
- Incidental or consequential damage caused by possible defects with this appliance.
- Defects or damage due to operation in freezing temperatures.
- Damage caused after delivery.
- Product not accessible to provide required service.
- Cleaning of condenser to restore product drying performance.

### EXCLUSION OF IMPLIED WARRANTIES

Your sole and exclusive remedy is product repair as provided in this Limited Warranty. Any implied warranties, including the implied warranties of merchantability or fitness for a particular purpose, are limited to one year or the shortest period allowed by law.

### In the United States:

This limited warranty is extended to the original purchaser and any succeeding owner for products purchased for home use within the USA. If the product is located in an area where service by a GE Appliances Authorized Servicer is not available, you may be responsible for a trip charge or you may be required to bring the product to an Authorized GE Appliances Service location for service. In Alaska, the limited warranty excludes the cost of shipping or service calls to your home.

Some states do not allow the exclusion or limitation of incidental or consequential damages. This limited warranty gives you specific legal rights, and you may also have other rights which vary from state to state. To know what your legal rights are, consult your local or state consumer affairs office or your state's Attorney General.

**Warrantor: GE Appliances, a Haier Company**  
**Louisville, KY 40225**

### In Canada:

This limited warranty is extended to the original purchaser and any succeeding owner for products purchased in Canada for home use within Canada. If the product is located in an area where service by a GE Appliances Authorized Servicer is not available, you may be responsible for a trip charge or you may be required to bring the product to an Authorized GE Appliances Service location.

Some provinces do not allow the exclusion or limitation of incidental or consequential damages. This limited warranty gives you specific legal rights, and you may also have other rights which vary from province to province. To know what your legal rights are, consult your local or provincial consumer affairs office.

**Warrantor: MC Commercial Inc., Burlington, ON, L7R 5B6**

**Extended Warranties:** Purchase a GE Appliances extended warranty and learn about special discounts that are available while your warranty is still in effect. You can purchase it online anytime at

[GEAppliances.com/extended-warranty](http://GEAppliances.com/extended-warranty)

or call 800.626.2224 during normal business hours. GE Appliances Service will still be there after your warranty expires.

Staple your receipt here. Proof of the original purchase date is needed to obtain service under the warranty.

# Consumer Support

---

## GE Appliances Website

Have a question or need assistance with your appliance? Try the GE Appliances Website 24 hours a day, any day of the year! You can also shop for more great GE Appliances products and take advantage of all our on-line support services designed for your convenience. In the US: [GEAppliances.com](http://GEAppliances.com)

In Canada: [GEAppliances.ca](http://GEAppliances.ca)

---

## Register Your Appliance

Register your new appliance on-line at your convenience! Timely product registration will allow for enhanced communication and prompt service under the terms of your warranty, should the need arise. You may also mail in the pre-printed registration card included in the packing material. In the US: [GEAppliances.com/register](http://GEAppliances.com/register)

In Canada: [GEAppliances.ca/after-sales-support](http://GEAppliances.ca/after-sales-support)

---

## Schedule Service

Expert GE Appliances repair service is only one step away from your door. Get on-line and schedule your service at your convenience any day of the year. In the US: [GEAppliances.com/service](http://GEAppliances.com/service) or call 800.432.2737 during normal business hours.

In Canada: [GEAppliances.ca/after-sales-support](http://GEAppliances.ca/after-sales-support) or call 800.561.3344.

---

## Extended Warranties

Purchase a GE Appliances extended warranty and learn about special discounts that are available while your warranty is still in effect. You can purchase it on-line anytime. GE Appliances Services will still be there after your warranty expires. In the US: [GEAppliances.com/extended-warranty](http://GEAppliances.com/extended-warranty) or call 800.626.2224 during normal business hours.

In Canada: [GEAppliances.ca/purchase-extended-warranty](http://GEAppliances.ca/purchase-extended-warranty) or call 866.277.9842.

---

## Remote Connectivity

For assistance with wireless network connectivity (for models with remote enable), in the US visit our website at [GEAppliances.com/connect](http://GEAppliances.com/connect) or call 800.220.6899.

In Canada: [GEAppliances.ca/connected-appliances](http://GEAppliances.ca/connected-appliances) or call 800.220.6899

---

## Parts and Accessories

Individuals qualified to service their own appliances can have parts or accessories sent directly to their homes (VISA, MasterCard and Discover cards are accepted). Order on-line today 24 hours every day.

In the US: [GEApplianceparts.com](http://GEApplianceparts.com) or by phone at 877.959.8688 during normal business hours.

In Canada: [GEAppliances.ca/parts-filters-accessories](http://GEAppliances.ca/parts-filters-accessories) or call 800.661.1616.

**Instructions contained in this manual cover procedures to be performed by any user. Other servicing generally should be referred to qualified service personnel. Caution must be exercised, since improper servicing may cause unsafe operation.**

---

## Contact Us

If you are not satisfied with the service you receive from GE Appliances, contact us on our Website with all the details including your phone number, or write to:

In the US: General Manager, Customer Relations | GE Appliances, Appliance Park | Louisville, KY 40225  
[GEAppliances.com/contact](http://GEAppliances.com/contact) or call 800.626.2000

In Canada: Director, Customer Relations | MC Commercial Inc. | Suite 300, 5420 North Service Road | Burlington, ON L7L 6C7  
[GEAppliances.ca/contact-us](http://GEAppliances.ca/contact-us) or call 877.994.5366



# SÈCHES

**CONSIGNES DE SÉCURITÉ** .....3

**UTILISATION DE LA SÈCHEUSE**  
 Pour démarrer ..... 4  
 Chargement.....8  
 Caractéristiques .....8

**ENTRETIEN ET NETTOYAGE**....9

**INSTRUCTIONS D'INSTALLATION**.....11  
 Comment superposer la sècheuse à la laveuse (Optionnel) .....19  
 Inversion de l'ouverture de la porte (Optionnel) ..... 21

**CONSEILS DE DÉPANNAGE**...22

**GARANTIE LIMITÉE**.....25

**SERVICE À LA CLIENTÈLE** ..... 26

## GUIDE DE L'UTILISATEUR ET INSTRUCTION D'INSTALLATION

GFT14

Inscrivez ici les numéros de modèle et de série :

Modèle # \_\_\_\_\_

Série # \_\_\_\_\_

Ces informations figurent sur l'étiquette située à l'avant de la sècheuse, derrière la porte.

## **NOUS VOUS REMERCIONS D'ACCUEILLIR GE APPLIANCES CHEZ VOUS**

---

Que vous ayez grandi avec GE Appliances ou qu'il s'agisse de votre première acquisition, nous sommes heureux de vous accueillir dans notre famille.

Nous sommes fiers du savoir-faire, de l'innovation et de l'esthétique qui composent chaque appareil GE Appliances, et nous pensons que vous le serez aussi. Dans cette optique, nous vous rappelons que l'enregistrement de votre électroménager vous assure la communication de renseignements importants sur le produit et la garantie lorsque vous en avez besoin.

Enregistrez votre électroménager GE en ligne dès maintenant. Des sites Web et des numéros de téléphone utiles figurent dans la section Soutien au consommateur de ce manuel d'utilisation. Vous pouvez aussi poster la fiche de garantie préimprimée incluse dans l'emballage.



**GE APPLIANCES**

# CONSIGNES DE SÉCURITÉ IMPORTANTES

## LIRE TOUTES LES CONSIGNES AVANT D'UTILISER L'APPAREIL

### ▲ AVERTISSEMENT

Pour réduire le risque d'incendie, d'explosion, de choc électrique ou de blessure aux personnes utilisant cet appareil, observez des précautions élémentaires dont les suivantes :

- Lisez toutes les instructions avant d'utiliser l'appareil.
- **NE** séchez **PAS** les articles qui ont été précédemment nettoyés, lavés, trempés, ou détachés à l'aide d'essence, de solvants de nettoyage à sec ou d'autres substances inflammables ou explosives, puisqu'ils peuvent émettre des vapeurs susceptibles de s'enflammer ou d'exploser.
- **NE** placez **PAS** d'articles exposés aux huiles de cuisson dans la sècheuse. Les articles souillés par les huiles de cuisson peuvent faciliter des réactions chimiques susceptibles d'enflammer une brassée. Pour réduire le risque d'incendie en raison de charges contaminées, la dernière partie du cycle de sèche-linge se produit sans chaleur (période de refroidissement). Évitez d'arrêter une sècheuse avant la fin du cycle de séchage à moins que tous les articles soient rapidement enlevés et répartis de telle sorte que la chaleur est dissipée.
- Risque d'étouffement et de blessure par coincement : **N'autorisez PAS** les enfants à jouer sur ou dans cet appareil. Une surveillance étroite est requise lorsque des enfants se trouvent à proximité de l'appareil en fonctionnement.
- Enlevez la porte de la sècheuse lorsque l'appareil est mis hors service ou au rebut.
- **NE** vous penchez **PAS** dans l'appareil lorsque le tambour est en rotation.
- **N'installez PAS** et ne rangez **PAS** cet appareil à un endroit exposé aux intempéries.
- **NE** modifiez **PAS** les commandes.
- **ABSTENEZ-VOUS** de grimper ou de vous tenir sur l'appareil.
- **NE** réparez **PAS** cet appareil, en totalité ou en partie, en remplacez une quelconque pièce, à moins que cela ne soit expressément recommandé dans les instructions d'entretien ou de réparation destinées à l'utilisateur dont vous avez une compréhension et une compétence suffisantes pour les appliquer.
- Suivez toutes les instructions et avertissements de soin des tissus pour éviter que les vêtements fondent ou des dommages à l'appareil.
- **N'employez PAS** de produits assouplissants NI d'agents antistatiques à moins que leur utilisation ne soit recommandée par leurs fabricants.
- **NE PAS** utiliser de la chaleur pour sécher des articles qui contiennent du caoutchouc mousse ou des matières à texture caoutchouteuse similaire.
- Nettoyez le filtre à charpie et nettoyez et videz le condenseur avant ou après chaque chargement.
- **N'utilisez PAS** la sècheuse sans que le filtre à charpie et le condenseur **ne** soit en place.
- **NE** rangez **PAS** de matières combustibles, de l'essence ni d'autres liquides inflammables à proximité de la sècheuse. Gardez la zone autour de l'admission d'air à l'avant de la sècheuse et tout l'espace adjacent libres de charpie, de poussière et de saletés.
- L'intérieur de l'appareil doit être nettoyé régulièrement par du personnel qualifié.
- Débranchez l'appareil ou fermez le disjoncteur avant une réparation. Le fait d'appuyer sur le bouton Power (Alimentation) ou sur le bouton **Start/Pause** (Mise en marche/pause) **NE** coupe **PAS** l'alimentation électrique.
- **NE** faites **PAS** fonctionner cet appareil s'il est endommagé, ne fonctionne pas correctement, est en partie démonté, ou encore si des pièces sont manquantes ou abîmées, y compris le cordon électrique ou sa fiche.
- **N'utilisez PAS** de pièces de rechange qui n'ont pas été recommandées par le fabricant (p. ex., des pièces fabriquées à domicile à l'aide d'une imprimante 3D).
- **NE** vaporisez **AUCUN** type d'aérosol dans, sur ou à proximité de la sècheuse, et ce en tout temps. **N'utilisez AUCUN** type de nettoyant en vaporisateur lorsque vous nettoyez l'intérieur de la sècheuse. Cela poserait un risque de vapeurs dangereuses ou de choc électrique.
- Consultez la section « RENSEIGNEMENTS SUR LES RACCORDS ÉLECTRIQUES » des instructions d'installation pour connaître la procédure de mise à la terre.

### Mise au rebut adéquate de votre électroménager

- Veuillez jeter ou recycler votre électroménager conformément aux règlements fédéraux ou locaux. Communiquez avec les instances locales pour en savoir plus sur la mise au rebut ou le recyclage de votre électroménager.
- Considérez les options de recyclage des matériaux d'emballage de votre électroménager.

## LIRE ET CONSERVEZ CES DIRECTIVES

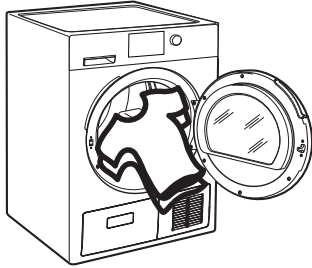
# Comment démarrer

## ⚠ AVERTISSEMENT

Pour réduire le risque d'incendie, de choc électrique ou de blessure, lisez les CONSIGNES DE SÉCURITÉ IMPORTANTES avant de faire fonctionner cet appareil.

Les caractéristiques et l'apparence de la cuisinière montrée dans ce manuel peuvent varier selon le modèle.

### Étape 1

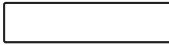


- Chargez le linge sans le tasser.
- Fermez la porte.

**REMARQUE :** La sècheuse ne démarre pas lorsque la porte est ouverte.

### Étape 2

Power



- Si l'écran est obscur, appuyez sur le bouton Power (alimentation) pour activer l'afficheur.

### Étape 3



- Sélectionnez le cycle de séchage. (Des réglages par défaut sont établis pour chaque cycle de séchage. Ces réglages peuvent être changés. Consultez la section réglage des contrôles pour de plus amples renseignements.)

OU



- Appuyez sur le bouton Timed Dry (Séchage minuté), faites tourner le bouton pour régler la durée de séchage et appuyez sur le bouton Temp (Température) pour définir votre propre température.

### Étape 4

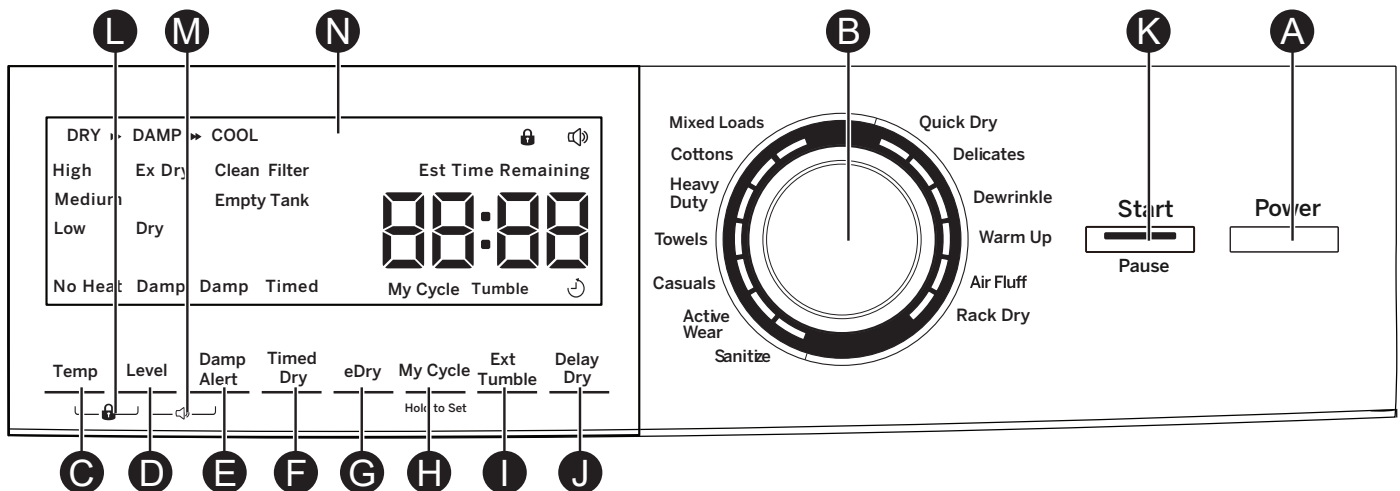
Start



Pause

- Si vous avez choisi un cycle de lavage, appuyez sur le bouton Start/ Pause (Départ/ Pause).

## Commandes



### A Power (alimentation)

Appuyez pour activer l'affichage. Si l'écran est actif, appuyez pour éteindre la sècheuse.

**NOTE :** Vous ne débranchez pas votre appareil de l'alimentation électrique en appuyant sur **Power** (alimentation).



# Comment démarrer

## B Cycles de séchage

Le cycle de séchage contrôle la durée du processus de séchage. Le tableau ci-dessous vous aidera à trouver le bon réglage de séchage en fonction de votre brassée.

|   |   |
|---|---|
| <b>Mixed Loads (Charges mixtes) ou Normal (Selon le modèle)</b> | Pour les brassées constituées de cotons et de mélanges de polyester.  |
| <b>Cottons (Cotons)</b>   | Pour les cotons et la plupart des articles en toile. <b>REMARQUE</b> : Les modèles <b>Energy Star®</b> sont testés sur <b>Cottons (Cotons)</b> avec les paramètres par défaut.  |
| <b>Heavy Duty (Intensif)</b>                                    | Pour manteaux grand format, jetés de lit, housses à matelas, sacs de couchage, couvertures, douillettes, blousons, carpettes et autres articles volumineux.   |
| <b>Towels (Serviettes)</b>                                      | Pour serviettes OU draps. Il n'est pas recommandé de mélanger serviettes et draps dans la même brassée.   |
| <b>Casuals (Tout-Aller)</b>                                     | Pour les articles infroissables, sans repassage et délicats, et pour les laines.  |
| <b>Active Wear (Vêtements Sport)</b>                            | Pour les vêtements de sports, d'exercice et certains vêtements décontractés. Les tissus bénéficient de finitions en nouvelle technologie et sont composés de fibres élastiques comme le Spandex. Aussi pour vêtements étiquetés Sans repassage (Easy Care) ou Infroissable (Perma Press) : Pour les articles qui ne nécessitent pas de repassage. |
| <b>Sanitize (Désinfecter)</b>                                   | Réduit certains types de bactéries de 99.6 %, notamment : Staphylococcus aureus et Pseudomonas aeruginosa. Le traitement antibactérien survient lorsqu'une chaleur élevée est appliquée durant une partie du cycle de séchage.  |
| <b>Quick Dry (Séchage rapide)</b>                               | Pour les petites brassées qui doivent être séchées rapidement, comme les tenues de sport ou les uniformes d'école. Ce cycle peut aussi être utilisé si le cycle précédent a laissé quelques articles encore humides, comme des cols ou des ceintures.   |
| <b>Delicates (Delicate)</b>                                     | Pour la lingerie et les tissus délicats.  |
| <b>Dewrinkle (Défroissage)</b>                                  | Pour les articles infroissables/entretien facile et sans repassage.   |
| <b>Warm Up (Préchauffage)</b>                                   | Fournit 25 minutes de préchauffage des vêtements.   |
| <b>Air Fluff (Air froid)</b>                                    | Fournit 30 minutes de temps de culbutage sans chaleur.  |
| <b>Rack Dry (Grille de séchage)</b>                             | Pour les articles délicats sans culbutage, utilisez la grille de séchage. Placez les articles, tels que les pulls en laine ou les tissus délicats, à plat sur la grille de séchage. Séchez à basse température.   |

## C

### Temp

### Temp (Température)

Vous pouvez modifier la température de votre cycle de séchage.

|                               |   |
|-------------------------------|---|
| <b>High (Haute)</b>           | Pour les cotons normaux à lourds.   |
| <b>Medium (Moyenne)</b>       | Pour les synthétiques, les mélanges et les articles étiquetés sans repassage.   |
| <b>Low (Basse)</b>            | Pour les tissus délicats, synthétiques et les articles étiquetés Tumble Dry Low (séchage par culbutage à basse température).  |
| <b>No Heat (Sans chaleur)</b> | Cette option ne peut être utilisée qu'avec la commande <b>Air Fluff (Air froid)</b> et <b>Timed Dry (Séchage Minuté)</b> , par laquelle le culbutage des articles s'exécute sans chaleur. |

## Comment démarrer

- D** **Level (Niveau)**  
 Level  
 Le détecteur surveille en permanence le niveau d'humidité dans le linge. Quand l'humidité dans vos vêtements atteint le niveau de séchage que vous avez choisi, la sècheuse s'arrête.  
**REMARQUE** : Le détecteur du taux d'humidité (**Level**) peut être utilisé avec tous les cycles sauf **Timed Dry** (Séchage Minuté), **Air Fluff** (Air froid), **Rack Dry** (Grille de séchage), **Warm Up** (Préchauffage) and **Dewrinkle** (Défroissage).
- |                           |  |
|---------------------------|--|
| <b>Ex Dry (Extra sec)</b> | Utilisé pour les tissus résistants ou les articles qui ont besoin d'être très secs, comme par exemple les serviettes.                              |
| <b>Dry (Sec)</b>          | Utilisé pour un niveau de séchage normal adapté à la plupart des brassées. C'est le cycle recommandé pour un fonctionnement en économie d'énergie. |
| <b>Damp (Humide)</b>      | Pour laisser les articles partiellement humides.   |
- 
- E** **Damp Alert (Alerte d'humidité)**  
 Damp Alert  
 Cette option fait sonner la sècheuse quand les vêtements ont été séchés jusqu'à un certain niveau d'humidité. Retirez les articles que vous souhaitez étendre pour sécher. **Damp Alert** (L'Alerte d'humidité) émet un bip lorsque cette option est sélectionnée, et la sècheuse continuera à sécher. Le fait de retirer les vêtements et les étendre quand ils sont humides peut diminuer le besoin de repasser certains articles.
- 
- F** **Timed Dry (Séchage minuté)**  
 Timed Dry  
 1. Appuyez sur le bouton de **Timed Dry** (Séchage programmé). Les lumières autour du bouton clignoteront. Sélectionnez le temps de séchage en tournant le bouton pour augmenter ou diminuer le temps par incréments de 10 minutes jusqu'à 2 heures et 30 minutes.  
 2. Sélectionnez **Temp** de séchage.  
 3. Fermez la porte.  
 4. Appuyez sur **Start/Pause** (Mise en marche/Pause).
- 
- G** **eDry (sur certains modèles)**  
 eDry  
 Réduit la consommation totale d'énergie des cycles spécifiques de la sècheuse en ajustant certains réglages de température.  
**REMARQUE** : Les durées de cycle changent lorsque eDry est sélectionné.  
 Les modèles **Energy Star®** sont testés sur le cycle **Cottons** avec les réglages par défaut pour déterminer le classement de la consommation d'énergie utilisée de cette sècheuse. L'option **eDry** sera activée par défaut pour **Cottons**. Les paramètres de température sur l'option High et le niveau de séchage Dry sont spécialement conçus pour ce cycle pour réduire la consommation d'énergie. Pour des économies d'énergie optimales, activez **eDry**. Pour des temps de séchage optimaux, éteindre **eDry**. Les économies d'énergie varient en fonction des charges et des cycles. La sélection **eDry** peut être utilisé avec les tissus **Mixed Loads** (Charges mixtes), **Cottons** (Cotons), **Heavy Duty** (Intensif), **Towels** (Serviettes), **Casuals** (Tout-Aller), **Active Wear** (Vêtements Sport) et **Delicates** (Delicate).
- 
- H** **My Cycle (Favori)**  
 My Cycle  
 Hold to Set  
 Configurez votre propre combinaison de réglages et enregistrez-la ici pour ensuite la lancer d'une touche. Cette configuration personnalisée peut être définie pendant qu'un cycle est en cours.  
**Pour enregistrer une combinaison de réglages My Cycle (Mon cycle).**  
 1. Sélectionnez un cycle de séchage.  
 2. Changez les réglages **Temp** et **Level** afin de répondre à vos besoins.  
 3. Sélectionnez toutes les options de séchage souhaitées.  
 4. Appuyez sur la touche **My Cycle (Mon cycle)** et maintenez-la enfoncée pendant trois secondes pour sauvegarder votre sélection. Un bip sonore retentit et le bouton s'allume.  
**Pour lancer votre combinaison My Cycle (Mon cycle) enregistrée :**  
 Appuyez sur la touche **My Cycle (Mon cycle)** avant de sécher une brassée.  
**Pour modifier votre combinaison My Cycle (Mon cycle) enregistrée.** Répéter les étapes 1 à 4.
- 
- I** **Ext Tumble (Culbutage prolongé)**  
 Ext Tumble  
 Réduit le froissement en ajoutant environ 2 heures de culbutage sans chauffage après séchage des vêtements.  
 L'affichage du temps restant estimé affichera « END » (Fin).  
 Le temps de culbutage prolongé n'est pas ajouté à la durée du cycle affiché.

# Comment démarrer



Delay  
Dry

## Delay Dry (Mise en séchage différée)

Utilisez pour retarder le démarrage de votre sècheuse.

1. Sélectionnez votre cycle de séchage et toutes les options.
2. Appuyez sur **Delay Dry** (Mise en séchage différée). Vous pouvez changer le délai d'attente par intervalles de 1 heure en utilisant le bouton **Delay Dry** (Mise en séchage différée).
3. Appuyez sur le bouton **Start/Pause** (Mise en Marche/Pause) pour lancer le compte à rebours.

**REMARQUES :** Si la porte est ouverte alors que la sècheuse est en mode **Delay Dry** (Mise en séchage différée), le compte à rebours ne redémarrera pas sauf si la porte est fermée et que le bouton **Delay Dry** (Mise en séchage différée) est à nouveau enfoncée.



Start



Pause

## Start/Pause (Départ/Pause)

Appuyez pour mettre en marche un cycle. Si la sècheuse fonctionne, vous l'arrêtez en appuyant une fois et déverrouillez la porte. Cette fonction peut être utilisée pour ajouter des vêtements durant un cycle. Appuyez à nouveau pour remettre en marche le cycle.

**NOTE :** En arrêtant la sècheuse et en ne remettant pas en marche le cycle dans les 15 minutes qui suivent, vous annulez le cycle actuel.



Temp Level



## Lock (Verrouillage)

Vous pouvez verrouiller les contrôles pour empêcher tout choix de cycle, ou vous pouvez verrouiller les contrôles après avoir commencé un cycle.

Les enfants ne peuvent pas mettre accidentellement en marche la sècheuse en appuyant sur des touches quand vous choisissez cette option.

Pour verrouiller les contrôles de la sècheuse, maintenez enfoncés les boutons **Temp** (Température) et **Level** (Niveau) simultanément pendant 3 secondes.

Pour déverrouiller les contrôles de la sècheuse, maintenez enfoncés les boutons **Temp** (Température) et **Level** (Niveau) simultanément pendant 3 secondes. Un son retentit pour indiquer l'état verrouillé/déverrouillé.

L'icône de contrôle de verrouillage de l'affichage s'allume quand il est branché.

**NOTE :** Vous pouvez encore utiliser le bouton **Power** (Alimentation) quand la machine est verrouillée.



Level Damp  
Alert



## Signal (Sonnerie)

Lorsque le voyant est à marche, la sècheuse émettra un bip à la fin du cycle et à chaque fois que vous appuierez sur un bouton sur le panneau de commande.

Pour désactiver la sonnerie, appuyez sur les touches **Level** (Niveau) et **Damp Alert** (Alerte d'humidité) et maintenez-les pendant 3 secondes. Un bip sonore vous indiquera l'état de verrouillage ou de déverrouillage.



## Affichage et voyants d'état

L'écran affiche le temps approximatif restant avant la fin du programme.

**De plus, cet écran affiche l'état de la sècheuse :**

|   |   |
|---|---|
| Status (Etat)                             | DRY ► DAMP ► COOL (SEC - HUMIDE - REFROIDISSEMENT)  |
|   | Verrouillage des commandes.   |
|   | Sonnerie de fin de cycle activée.   |
| Clean Filter (Nettoyer le filtre)         | Il est nécessaire de nettoyer le filtre. Consultez la section <b>Entretien et Nettoyage</b> .   |
| Empty Tank (Vider le réservoir)           | Il est nécessaire de vider le réservoir d'eau. Consultez la section <b>Entretien et Nettoyage</b> .   |
| Temp                                      | Affiche le réglage de température sélectionné <b>High</b> (Haute), <b>Medium</b> (Moyenne), <b>Low</b> (Basse) ou <b>No Heat</b> (Sans chaleur).              |
| Level (Niveau)                            | Indique le réglage sélectionné pour le séchage <b>Extra Dry</b> (Extra sec), <b>Dry</b> (Sec) ou <b>Damp</b> (Humide).  |
| Damp Alert (Alerte d'humidité)            | Indique que l'avertissement <b>Damp Alert</b> (Alerte d'humidité) est activé et émettra un bip sonore lorsque le linge atteindra un niveau de séchage humide. |
| Timed (Minuté)                            | Indique qu'un cycle <b>Timed Dry</b> (Séchage minuté) est en cours. S'éteint à la fin du cycle.   |
| Est Time Remaining (Temps restant estimé) | Affiche le temps restant estimé avant la fin du cycle.  |
| My Cycle (Favori)                         | Indique que la fonction <b>My Cycle</b> (Favori) est en cours.  |
| Ext Tumble (Culbutage prolongé)           | Indique que la fonction <b>Extended Tumble</b> (Culbutage prolongé) est en cours.   |
|   | Indique que la fonction <b>Delay Dry</b> (Mise en séchage différée) est activée.  |

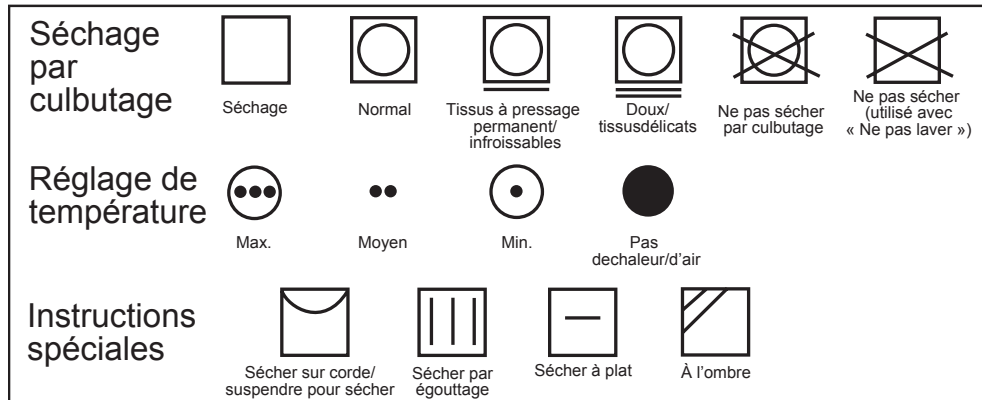
# Chargement

Respectez toujours l'étiquette d'entretien du fabricant lors de la lessive.

## Étiquettes d'entretien de tissu

Ci-dessous figurent les « symboles » des étiquettes d'entretien de tissu qui concernent le linge à sécher.

### Séchage étiquettes



## Conseils pour le tri et le chargement

### ⚠ AVERTISSEMENT - Risque d'incendie

- Gardez les matières et les vapeurs inflammables telles que l'essence à distance de la sècheuse.
- **NE séchez AUCUN** article qui a déjà reçu une matière inflammable (même après le lavage).
- Aucune laveuse ne peut éliminer l'huile totalement.
- **NE séchez AUCUN** article qui a déjà reçu un type d'huile quelconque (y compris les huiles de cuisson).
- Les articles qui comportent de la mousse, du caoutchouc ou du plastique doivent sécher sur une corde à linge.
- Le non-respect de ces instructions pourrait entraîner la mort, l'explosion ou l'incendie.

En règle générale, lorsque les vêtements sont correctement triés pour le lavage, ils le sont aussi pour le séchage. Essayez aussi de trier les articles en fonction de leur taille. Par exemple, ne séchez pas un drap avec des chaussettes ou d'autres petits articles.

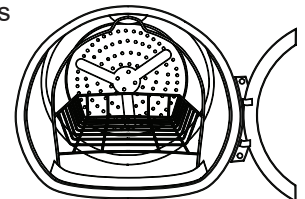
N'ajoutez pas votre feuille d'assouplissant textile lorsque la brassée a commencé à chauffer, car elle risque de provoquer des taches d'assouplissant. Les feuilles d'assouplissant de tissus BounceMD pour sècheuses ont été approuvées pour cette sècheuse si elles sont utilisées conformément aux instructions du fabricant.

**Ne surchargez pas.** Ceci consomme inutilement de l'énergie et cause des faux plis.

## Grille de séchage

Utilisez une grille de séchage pour sécher les articles délicats, par exemple, les chandails lavables. Placez les articles à plat sur la grille de séchage, en mettant de côté les chandails en laine et les tissus délicats. Séchez à faible chaleur.

Pour installer la grille de séchage, la déployer à l'intérieur du tambour de la sècheuse et appuyez les deux pattes avant sur le rebord angulaire avant.



### REMARQUES :

- La grille de séchage est conçue pour une utilisation avec le programmé de **Timed Dry** (Séchage minuté). L'utilisation de la grille avec un programme de séchage par capteur peut augmenter la durée des programmes ou conserver l'humidité dans les articles.
- N'utilisez pas la grille de séchage lorsque d'autres vêtements dans la sècheuse ne sont pas disposés sur la grille.
- La grille de séchage, **WE01X26416**, est disponible en tant qu'accessoire. Commandez en ligne à **Electromenagersge.ca/fr/produits/filtres-et-accessoires**, 24 heures par jour ou par téléphone au **800.661.1616** pendant les heures normales de travail.

# Entretien et nettoyage

## Intérieur

L'intérieur de l'appareil doit être nettoyé une fois par an par un technicien qualifié.

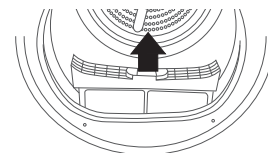
## Extérieur

Essuyez ou époussetez tout déversement ou produit de lavage avec un chiffon humide. Le panneau de commande de la sècheuse peut être endommagé par certains détergents et produits détachants. Appliquez ces produits loin de la sècheuse. Le tissu peut ensuite être lavé et séché normalement. Les dommages causés par ces produits ne sont pas couverts par la garantie de votre sècheuse.

## Filtre à charpie

Nettoyez le filtre à charpie avant chaque utilisation.

Tirez le filtre à charpie. Mouillez vos doigts et retirez la charpie. Une fois qu'il a été nettoyé, glissez le filtre dans sa position. Demandez à un technicien qualifié d'aspirer la charpie de la sècheuse une fois par année.



**N'UTILISEZ JAMAIS LA SÈCHEUSE SANS FILTRE.**

## Acier inoxydable

Pour nettoyer les surfaces en acier inoxydable, utilisez un chiffon humide et un détergent doux non abrasif convenant aux surfaces en acier inoxydable. Retirez les résidus de produit nettoyant, puis séchez-les avec un chiffon propre.

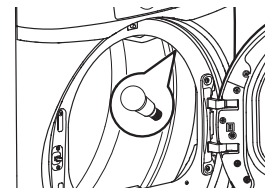
L'acier inoxydable utilisé pour la fabrication du tambour de la sècheuse vous offre la meilleure fiabilité possible dans une sècheuse GE Appliances. Si le tambour de la sècheuse venait à être marqué ou rayé en cours d'usage normal, il ne rouillerait pas. Ces dommages superficiels n'affecteront pas sa durabilité ni son fonctionnement.

## Éclairage du tambour

**REMARQUE :** La lampe du tambour ne peut pas être remplacée par le consommateur sur les modèles où il y a un couvercle en forme de plat sur une ampoule LED. Si cette lampe venait à cesser de fonctionner, communiquez avec une entreprise de réparation.

**Pour les modèles qui ont un couvercle en forme de dôme sur une ampoule, fixé par une vis :**

Avant de remplacer l'ampoule, assurez-vous de débrancher le cordon d'alimentation de la sècheuse ou de déconnecter la sècheuse du tableau de distribution de votre domicile (fusible ou disjoncteur). Penchez-vous au-dessus de l'ouverture de la sècheuse vers l'intérieur du tambour pour localiser le couvercle plat.



Retirez la vis et le couvercle en plastique pour accéder à l'ampoule. Remplacer par une ampoule appropriée, puis apposer de nouveau le couvercle et la vis.

Commandez en ligne une ampoule de rechange **WE11X26351** sur [Electromenagersge.ca/fr/produits/filtres-et-accessoires](http://Electromenagersge.ca/fr/produits/filtres-et-accessoires), par téléphone au **800.661.1616** durant les heures normales d'affaire, ou procurez-vous une ampoule modèle **7C7** chez votre détaillant.

Lorsque la porte est ouverte, la lumière du tambour s'allume automatiquement et reste allumée pendant 2 minutes. À la fermeture de la porte, elle reste allumée pendant 30 minutes.

### ⚠ AVERTISSEMENT - Risque d'électrocution

Débranchez l'alimentation électrique avant la réparation.

Remettez toutes les pièces et panneaux en place avant d'utiliser l'appareil.

L'omission de prendre ces précautions peut provoquer la mort ou l'électrocution.

### ⚠ AVERTISSEMENT - Risque d'électrocution

Certaines pièces internes sont intentionnellement non mises à la terre et peuvent présenter un risque de choc électrique lors d'un entretien.

**Personnel de réparateur – NE PAS** toucher aux composants suivants lorsque l'appareil est sous tension : condensateur de démarrage du moteur, support du moteur en métal et axe de la roue du tambour.

# Entretien et nettoyage

## Réservoir d'eau

**RETIRER L'EAU CONDENSÉE DU RÉSERVOIR APRES CHAQUE CYCLE DE SÉCHAGE.**

**NOTE :** Si le tuyau de vidange est installé, la vidange du réservoir d'eau n'est pas nécessaire. Voir la section **CONNEXION DU TUYAU DE VIDANGE** dans les consignes d'installation de ce manuel.

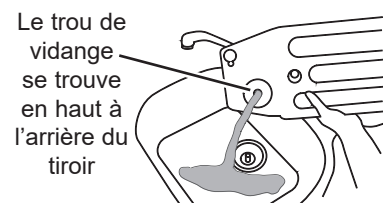
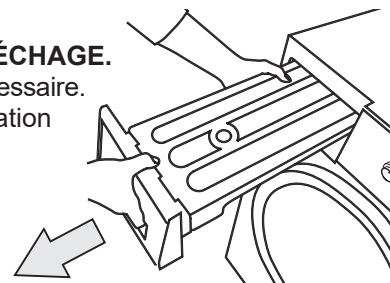
- Retirez le réservoir d'eau.

Lors du retrait du réservoir d'eau de la sècheuse, tenez-le à deux mains parce qu'il est lourd et prenez soin de ne pas renverser d'eau contenue dans le réservoir.

- Videz l'eau condensée contenue dans le réservoir d'eau.

Pour éviter un trop-plein, qui pourrait conduire à une fuite d'eau à l'extérieur de la sècheuse, vidangez l'eau restant dans le réservoir d'eau après chaque cycle. Remplir en trop causera l'arrêt prématuré du cycle jusqu'à ce qu'il soit vidé.

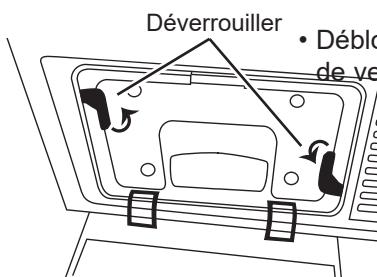
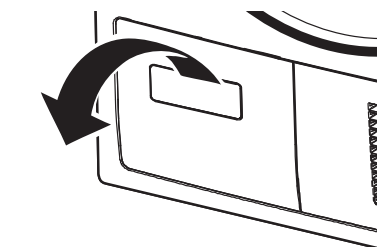
**NOTE :** Lorsque le voyant **Empty Tank** (Vider le réservoir) est allumé, le sèche-linge ne fonctionnera pas tant que le réservoir n'a pas été vidé et le voyant réinitialisé. Appuyez sur le bouton **Start** (Mise en marche) et le voyant s'éteint et la sècheuse reprendra le cycle.



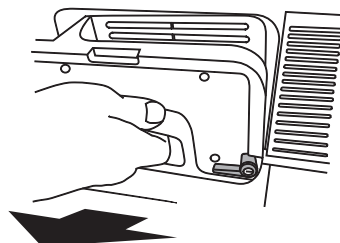
## Condenseur

**LE CONDENSEUR DOIT ÊTRE NETTOYÉ UNE FOIS PAR MOIS.**

- Ouvrez le couvercle du compartiment du condenseur.



- Retirez le boîtier du condenseur du compartiment du condenseur.



- Nettoyez complètement le boîtier du condenseur et l'intérieur du compartiment du condenseur. Utilisez de l'eau du robinet pour nettoyer entre les rainures de la boîte du condenseur en laissant couler l'eau du robinet. Mettez la main à l'intérieur du compartiment du condenseur et essuyez tous les débris. Assurez-vous que les joints en caoutchouc du condenseur sont exempts de débris avant de les réinstaller.

### NOTES :

- Assurez-vous de nettoyer votre condenseur une fois par mois pour éviter une perte de performance de la sècheuse.
- Lors du remontage du condenseur après nettoyage, assurez-vous que les languettes de verrouillage sont bien dans la position de verrouillage. **Ne jamais faire fonctionner le sèche-linge sans que le condenseur ne soit installé.**

# Instructions d'installation

# Laveuse

Des questions? Appelez le 800.561.3344 ou Visitez notre site Web à l'adresse : [www.electromenagersge.ca](http://www.electromenagersge.ca)

## AVANT DE COMMENCER

Lisez attentivement ces instructions dans leur intégralité.

- **IMPORTANT** – Gardez ces instructions pour l'usage de l'inspecteur électrique local.
- **IMPORTANT** – Observez toutes les réglementations et ordonnances en vigueur.
- Installez la sècheuse conformément aux instructions du fabricant et aux réglementations locales.
- **Remarque pour l'installateur** – Assurez-vous de laisser ces instructions au client.
- **Remarque pour le consommateur** - Gardez ces instructions à titre de référence ultérieure.
- L'installation de la sècheuse doit être effectuée par un installateur qualifié.
- Retirez la porte de la vieille sècheuse avant de la mettre au rebut ou hors service.
- Les renseignements d'entretien et le schéma de câblage se trouvent dans la console de commande.
- Ne laissez pas les enfants monter sur l'appareil ou entrer dans celui-ci. Une surveillance étroite des enfants doit être exercée lorsque l'appareil est utilisé à leur proximité.
- La responsabilité d'installer correctement l'appareil relève de l'installateur.
- Toute défaillance de l'appareil suite à une installation incorrecte n'est pas couverte par la garantie.
- Installez la sècheuse là où la température est supérieure à 10 C (50 F) pour assurer le bon fonctionnement du système de commande de la sècheuse.

### ⚠ AVERTISSEMENT



- Risque  
d'incendie

- **Risque d'incendie** - L'installation de la sècheuse doit être effectuée par un installateur qualifié.
- Installez la sècheuse conformément aux instructions du fabricant et aux réglementations locales.
- N'installez et ne remisez **PAS** cet appareil dans un lieu où il peut être exposé à l'eau ou intempéries.
- Pour réduire le risque de blessure grave, voire de mort, suivez toutes les instructions d'installation.
- Gardez ces instructions. (Installateurs : Assurez-vous de laisser ces instructions au client.)

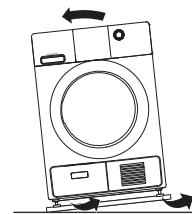
Si vous envisagez de superposer une sècheuse et une laveuse, commandez la Trousse de Superposition **GFA24KITL** à utiliser avec cette sècheuse. La trousse est vendue séparément.

# Instructions d'installation

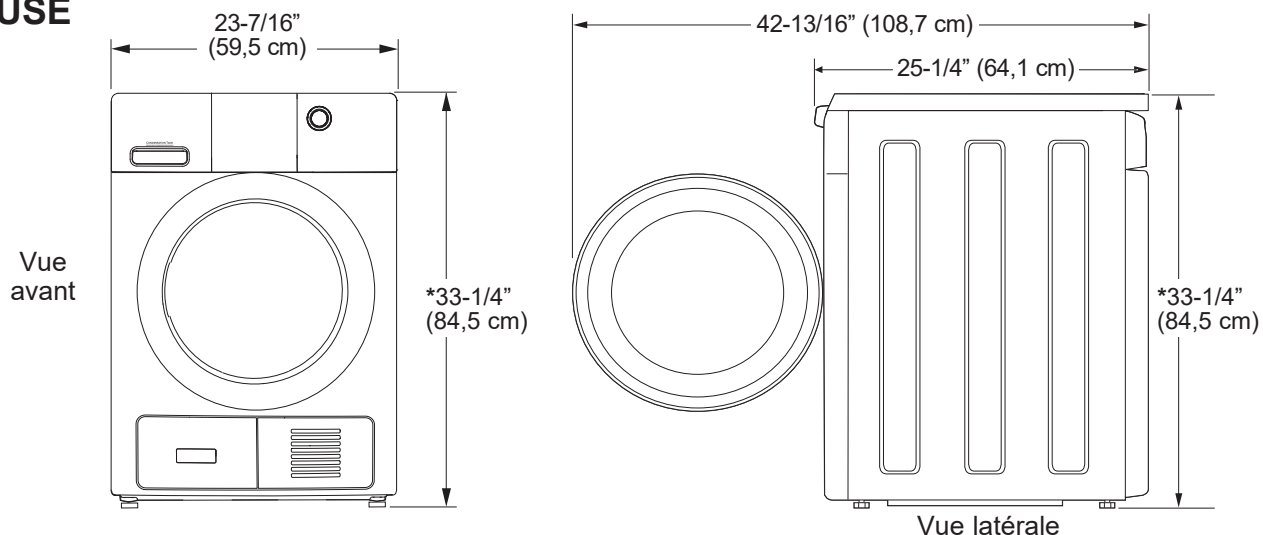
## DÉBALLAGE DE VOTRE SÈCHEUSE

Inclinez la sècheuse latéralement et enlevez les coussinets d'expédition en mousse en les poussant sur les côtés et en les détachant des pattes de la sècheuse.

Assurez-vous d'enlever toutes les pièces en mousse autour des pattes.



## DIMENSIONS DE LA SÈCHEUSE



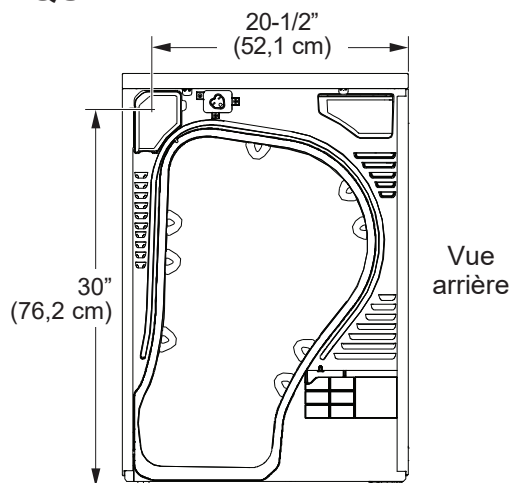
**\*NOTE :**

Avec pieds de nivellement rétractés : 33-1/4 (84.5 cm)

Avec pieds de nivellement complètement sortis : 33-5/8 (85.4 cm)

Superposé : 66-1/2" (168.9 cm)

## DIMENSIONS DE LA CONNEXION ELECTRIQUE



## CORDONS D'ALIMENTATION

GE Appliances recommande vivement l'utilisation de pièces spécifiées par le fabricant. Choisissez un cordon d'alimentation qui correspond aux exigences de votre installation.

| No de pièce | Type         | Longueur | Intensité de courant |
|-------------|--------------|----------|----------------------|
| WX9X2       | 3-Trifilaire | 4 Pied   | 30                   |
| WX9X3       | 3-Trifilaire | 5 Pied   | 30                   |
| WX9X4       | 3-Trifilaire | 6 Pied   | 30                   |
| WX9X18      | 4-Trifilaire | 4 Pied   | 30                   |
| WX9X19      | 4-Trifilaire | 5 Pied   | 30                   |
| WX9X20      | 4-Trifilaire | 6 Pied   | 30                   |

Consultez votre annuaire local pour un détaillant de pièces autorisé ou appelez-nous au 800.661.1616 ou [Electromenagersge.ca/fr/produits/filtres-et-accessoires](http://Electromenagersge.ca/fr/produits/filtres-et-accessoires).



# Instructions d'installation

## EXIGENCES RELATIVES À UNE INSTALLATION ENCASTRÉE

### ⚠ AVERTISSEMENT - Risque d'explosion

Gardez les matières et les vapeurs inflammables telles que l'essence à distance de la sècheuse.

Placez la sècheuse à au moins 46 cm (18 po) au-dessus du sol dans le cas d'une installation dans un garage.

L'omission de prendre ces précautions peut provoquer la mort, l'explosion ou l'incendie.

- L'espace minimum entre la sècheuse et les murs adjacents ou d'autres surfaces est le suivant:
  - 0 cm (0 po) des deux côtés
  - 2,54 cm (1 po) avant et arrière
  - 2,54 cm (1 po) haut
- L'arrière de la sècheuse doit faire face à un mur.
- Il faut veiller à procurer le dégagement nécessaire à l'installation et aux interventions de service.
- Les portes du placard doivent être perforées ou bien ventilées et disposer d'au moins 150 cm<sup>2</sup> (60 pouces carrés) d'espace. Si le placard abrite une laveuse et une sècheuse, les portes doivent disposer de 3 m<sup>2</sup> (120 pouces carrés) au minimum d'espace ouvert.

## DÉGAGEMENTS MINIMUMS AUTRES QUE POUR UNE INSTALLATION ENCASTRÉE

Les dégagements minimums par rapport aux surfaces inflammables et pour l'orifice d'aération sont les suivants : 0 cm (0 po) des deux côtés, 2,54 cm (1 po) à l'arrière et 2,54 cm (1 po) haut.

L'arrière de la sècheuse doit faire face à un mur.

Veillez à prévoir des dégagements suffisants pour toute installation et réparation.

## INSTALLATION DANS UNE MAISON MOBILE OU PRÉFABRIQUÉE

- Installation DOIT être conforme à la NORME DE SÉCURITÉ POUR LA CONSTRUCTION DE MAISONS FABRIQUÉES, TITRE 24, PARTIE 3280 ou NORME POUR DES MAISONS MOBILES CAN/CSA-Z240 MH, ou, si la norme n'est pas applicable, à la NORME NATIONALE AMÉRICAINE POUR LES MAISONS MOBILES ANSI/NFPA N° 501B.
- Prévoyez une ouverture dotée d'une zone ouverte de 63 cm<sup>2</sup> (25 pouces carrés) pour l'infiltration d'air extérieur dans de la sècheuse chambre.
- Voir la section pour des renseignements sur la connexion électrique.

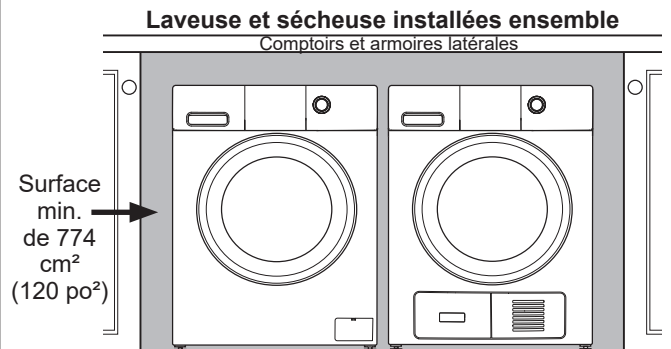
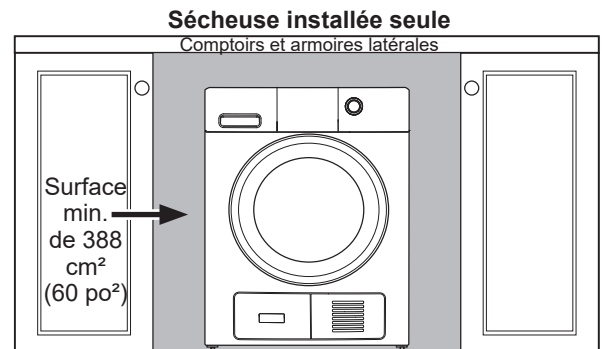
## INSTALLATION DANS UNE SALLE DE BAINS OU DANS UNE CHAMBRE

L'installation doit être conforme aux codes locaux ou, en l'absence de codes locaux, à la dernière édition du CODE NATIONAL DE L'ELECTRICITE, ANSI/NFPA N° 70 (pour les sècheuses électriques).

## INSTALLATION SOUS UN COMPTOIR

Pour une installation sous un comptoir :

- Aucun kit d'installation particulier n'est nécessaire.
- Si la sècheuse est installée seule, une surface minimale de 388 cm<sup>2</sup> (60 po<sup>2</sup>) d'espace ouvert est requise. Si la sècheuse est installée avec une laveuse, une surface minimale de 774 cm<sup>2</sup> (120 po<sup>2</sup>) d'espace ouvert est requise.



# Instructions d'installation

## RACCORDEMENT D'UNE SÈCHEUSE ÉLECTRIQUE

### OUTILS NÉCESSAIRES

- Pince à joint coulissant



- Tournevis à tête plate



- Tournevis cruciforme



- Niveau



### MATÉRIEL NÉCESSAIRE

- Lunettes de protection



- Gants

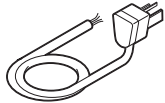


- Réducteur de tension 3/4 po (UL)



- Cordon d'alimentation de la sècheuse (non livré avec l'appareil)

Conforme à la norme UL 120/240 V, 30 A avec 3 ou 4 broches. Identifiez le type de fiche selon la prise murale de votre domicile avant d'acheter le cordon.



Les installations superposées peuvent nécessiter un cordon d'alimentation d'une longueur de d'1,8 m (6 pieds).

Avant d'effectuer le branchement électrique, déclenchez le disjoncteur ou enlevez le fusible de la sècheuse au panneau de distribution électrique. Assurez-vous que le cordon d'alimentation de la sècheuse est débranché de la prise murale. **NE LAISSEZ JAMAIS LE CAPOT DE LA PLAQUE À BORNES ENLEVÉ.**



### ⚠ AVERTISSEMENT - Risque d'électrocution

Débranchez l'alimentation électrique avant la réparation.

Remettez toutes les pièces et panneaux en place avant d'utiliser l'appareil.

L'omission de prendre ces précautions peut provoquer la mort ou l'électrocution.

### ⚠ AVERTISSEMENT - Risque d'électrocution

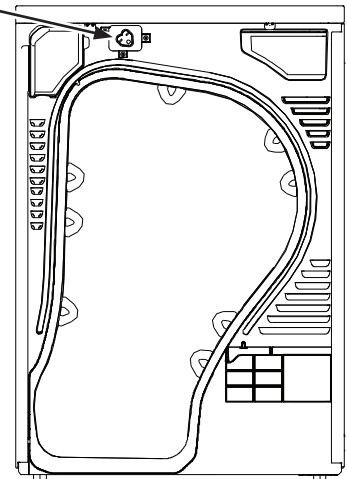
Certaines pièces internes sont intentionnellement non mises à la terre et peuvent présenter un risque de choc électrique lors d'un entretien.

**Personnel de réparateur – NE PAS** toucher aux composants suivants lorsque l'appareil est sous tension : condensateur de démarrage du moteur, support du moteur en métal et axe de la roue du tambour.

### PRISE POUR LE BRANCHEMENT DE CERTAINES LAVEUSES

Prise à usage

Ce n'est pas une prise à usage général – À utiliser avec les laveuses GFW148, QFW150 ou GFQ14 uniquement.



# Instructions d'installation

## RENSEIGNEMENTS SUR LES RACCORDS ÉLECTRIQUES POUR SÈCHEUSES ÉLECTRIQUES

Pour les branchements électriques utilisant un cordon d'alimentation :

### **AVERTISSEMENT** - Risque d'incendie

Utilisez un cordon d'alimentation de 240 V 30 ampères homologué UL pour sècheuse avec cosses à anneau fermées ou cosses fermées aux extrémités renversées.

Utilisez un réducteur de tension homologué UL.

Débranchez l'alimentation avant d'effectuer des connexions électriques.

Connectez le fil neutre (le fil blanc ou central) sur la borne centrale.

Le fil de terre (fil vert ou à nu) doit être branché à un connecteur de terre vert.

Connectez les deux autres fils d'alimentation sur les deux bornes correspondantes.

Serrez fermement toutes les connexions électriques.

Remplacez le couvercle du bloc des bornes.

L'omission de prendre ces précautions peut provoquer la mort, l'explosion ou l'incendie.

## INSTRUCTIONS DE MISE À LA TERRE

**Pour une sècheuse branchée par cordon mis à la terre :**

Cette sècheuse doit être mise à la terre. Dans l'éventualité d'un mal fonctionnement ou d'une panne, la mise à la terre réduit le risque de choc électrique en procurant un circuit de moindre résistance au courant électrique. Cette sècheuse utilise un cordon doté d'un conducteur de mise à la terre de l'appareillage et d'une fiche de mise à la terre. La fiche doit être branchée dans une prise compatible correctement installée et mise à la terre conformément à tous les codes et règlements en vigueur.

**AVERTISSEMENT** Une connexion incorrecte du conducteur de mise à la terre de l'appareillage peut poser un risque de choc électrique. Consultez un électricien ou réparateur qualifié si vous doutez que l'appareil soit correctement mis à la terre. **NE** modifiez **PAS** la fiche du cordon d'alimentation. Si elle ne s'insère pas dans la prise, demandez à un électricien agréé de poser une prise appropriée.

**CONSERVEZ CES INSTRUCTIONS**

### **AVERTISSEMENT** - Risque d'électrocution

**POUR ÉVITER LES CHOC ÉLECTRIQUES, DÉBRANCHEZ L'ALIMENTATION ÉLECTRIQUE AVANT L'ENTRETIEN.**

Cette sècheuse doit être connectée à un circuit de dérivation individuel avec un fil de cuivre de calibre 10 minimum à travers un fusible de 30 ampères ou un disjoncteur. **PAS** de fusible sur le fil neutre.

Utilisez uniquement des conducteurs en cuivre.

## RENSEIGNEMENTS SUR LES RACCORDS ÉLECTRIQUES POUR SÈCHEUSES ÉLECTRIQUES

Pour les connexions de fil directes :

### **AVERTISSEMENT** - Risque d'incendie

Utilisez un fil de cuivre de calibre 10.

Utilisez un réducteur de tension homologué UL.

Débranchez l'alimentation avant d'effectuer des connexions électriques.

Connectez le fil neutre (le fil blanc ou central) sur la borne centrale.

Le fil de terre (fil vert ou à nu) doit être branché à un connecteur de terre vert.

Connectez les deux autres fils d'alimentation sur les deux bornes correspondantes.

Serrez fermement toutes les connexions électriques.

Remplacez le couvercle du bloc des bornes.

L'omission de prendre ces précautions peut provoquer la mort, l'explosion ou l'incendie.

## INSTRUCTIONS DE MISE À LA TERRE

**Pour une sècheuse à branchement permanent :**

Cette sècheuse doit être connectée à du métal mis à la terre ou à un système de câblage permanent ; ou encore un conducteur de mise à la terre de l'appareillage doit être acheminé avec les conducteurs du circuit et connecté à une borne de mise à la terre de l'appareillage sur l'appareil.

**AVERTISSEMENT** Une connexion incorrecte du conducteur de mise à la terre de l'appareillage peut poser un risque de choc électrique. Consultez un électricien ou réparateur qualifié si vous doutez que l'appareil soit correctement mis à la terre.

**CONSERVEZ CES INSTRUCTIONS**

### **AVERTISSEMENT** - Risque d'électrocution

**POUR ÉVITER LES CHOC ÉLECTRIQUES, DÉBRANCHEZ L'ALIMENTATION ÉLECTRIQUE AVANT L'ENTRETIEN.**

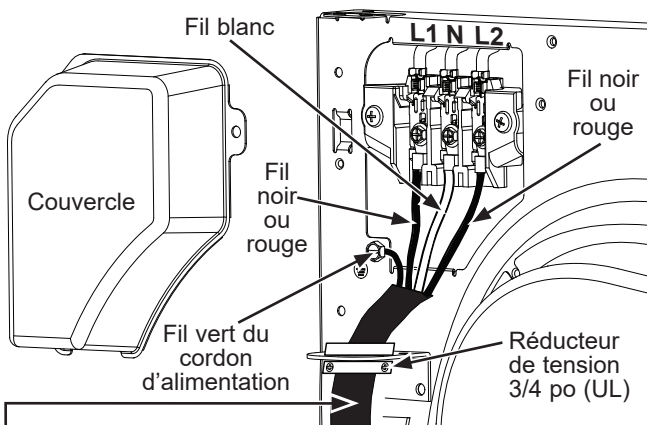
Cette sècheuse doit être connectée à un circuit de dérivation individuel avec un fil de cuivre de calibre 10 minimum à travers un fusible de 30 ampères ou un disjoncteur. **PAS** de fusible sur le fil neutre.

Utilisez uniquement des conducteurs en cuivre.

# Instructions d'installation

## BRANCHEMENT DE LA SÈCHEUSE À L'AIDE D'UN CÂBLE À 4 FILS (À UTILISER POUR L'INSTALLATION DANS UNE MAISON MOBILE)

**REMARQUE :** Depuis le 1<sup>er</sup> janvier 1996, le Code national de l'électricité impose aux nouvelles constructions d'utiliser un raccordement à 4 fils pour une sècheuse électrique. Un cordon à 4 fils doit aussi être utilisé lorsque les normes locales n'autorisent pas une mise à la terre via le neutre. Un raccordement à 3 fils NE doit PAS être utilisé dans une nouvelle construction.



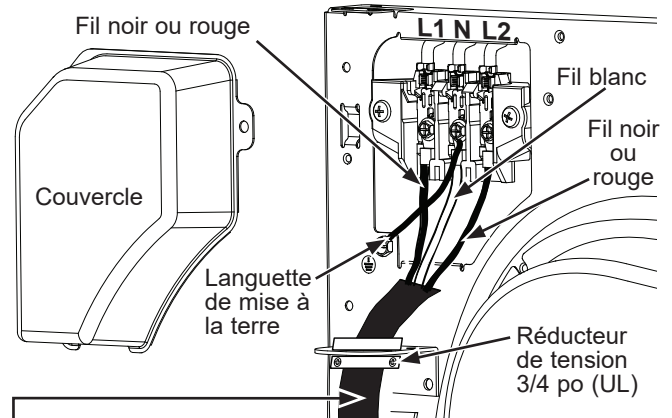
4 conducteurs en cuivre N° 10 minimum ou cordon d'alimentation de 120/240 V 30 A pour sècheuse muni de cosse ouvertes ou à anneau (non fourni).

1. Déclenchez le(s) disjoncteur(s) ou retirez le(s) fusible(s) du circuit du tableau électrique.
2. Assurez-vous que le cordon de la sècheuse est débranché de la prise murale.
3. Retirez le couvercle du cordon d'alimentation situé à l'arrière supérieur.
4. Retirez la vis de mise à la terre verte et conservez-la pour une utilisation à l'étape 7. Retirez la vis centrale (marquée N) dans le bloc terminal. Retirez et jetez la bande de mise à la terre.
5. Insérez un réducteur de tension conforme UL 3/4 po dans le trou d'entrée du cordon. Faites passer le cordon d'alimentation dans le support du réducteur de tension.
6. Connectez le cordon d'alimentation comme suit :
  - A. Connectez les 2 fils sous tension aux vis extérieures de la plaque à bornes (L1 et L2).
  - B. Connectez le fil neutre (blanc) au centre de la plaque à bornes (N).
7. Branchez le fil de terre du cordon à la vis verte de mise à la terre (trou placé au-dessus du support du réducteur de tension). Serrez toutes les vis de la plaque à bornes (3) fermement.
8. Fixez le cordon d'alimentation dans le support du réducteur de tension.
9. Réinstallez le couvercle.

**NE LAISSEZ JAMAIS LE COUVERCLE ENLEVÉ DE LA PLAQUE À BORNES.**

## RACCORDEMENT DE LA SÈCHEUSE À L'AIDE D'UN CÂBLE À 3 FILS

Faites installer, si le code local l'exige, une mise à la terre externe (non fournie) sur un tuyau d'eau froide métallique mis à la terre ou toute autre mise à la terre par un électricien qualifié.



3 conducteurs en cuivre N° 10 minimum ou cordon d'alimentation de 120/240 V 30 A pour sècheuse muni de cosse ouvertes ou à anneau (non fourni).

### Connexion à 3 fils

Ne peut pas être utilisée au Canada.

Ne peut pas être utilisée dans une maison mobile.

Ne peut pas être utilisée dans les nouvelles constructions.

Ne peut pas être utilisée dans les véhicules récréatifs.

Ne peut pas être utilisée dans les régions où les codes locaux interdisent la mise à la terre par le biais du câble neutre.

1. Déclenchez le(s) disjoncteur(s) ou retirez le(s) fusible(s) du circuit du tableau électrique.
2. Assurez-vous que le cordon de la sècheuse est débranché de la prise murale.
3. Retirez le couvercle du cordon d'alimentation situé à l'arrière supérieur.
4. Insérez un réducteur de tension conforme UL 3/4 po dans le trou d'entrée du cordon. Faites passer le cordon d'alimentation dans le réducteur de tension.
5. Connectez le cordon d'alimentation comme suit :
  - A. Connectez les 2 fils sous tension aux vis extérieures de la plaque à bornes (L1 et L2).
  - B. Connectez le fil neutre (blanc) au centre de la plaque à bornes (N).
6. Veillez à ce que la languette de mise à la terre soit connectée à la vis verte de mise à la terre sur le boîtier. Serrez toutes les vis de la plaque à bornes (3) fermement.
7. Fixez le cordon d'alimentation dans le réducteur de tension.
8. Réinstallez le couvercle.

**NE LAISSEZ JAMAIS LE COUVERCLE ENLEVÉ DE LA PLAQUE À BORNES.**

# Instructions d'installation

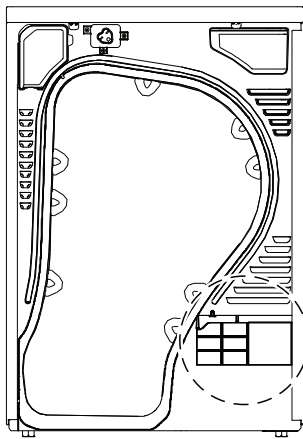
## CONNEXION DU TUYAU DE VIDANGE

### VIDANGE DE L'EAU SANS UTILISER LE RESERVOIR D'EAU

Vous pouvez utiliser la sècheuse sans utiliser le réservoir d'eau en suivant les procédures ci-dessous.

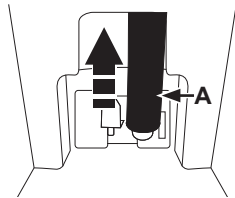
### CONNEXION DU TUYAU DE VIDANGE

La sècheuse peut éliminer l'eau condensée par pompage à l'aide du tuyau de vidange fourni. Les procédures de connexion du tuyau de vidange sont les suivantes.

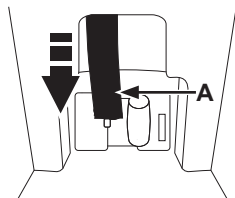


Vue arrière

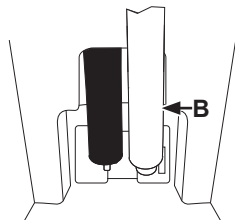
1. Déconnectez le tuyau de vidange **A**.



2. Raccordez le tuyau de vidange **A** à l'autre ouverture.



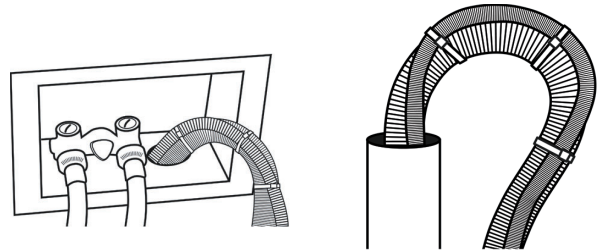
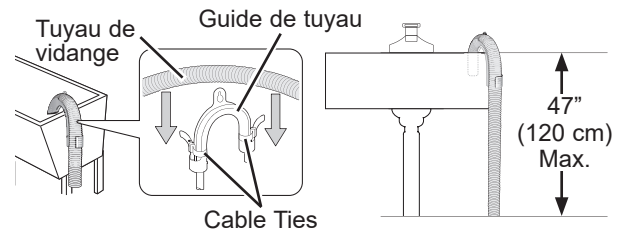
3. Raccordez le tuyau accessoire B (tuyau de vidange de grade longueur) à côté de tuyau de vidange **A**.



- Lors de la connexion du tuyau de vidange B, veillez à ce que la hauteur du tuyau ne dépasse pas 120 cm (47").
- Après avoir raccordé le tuyau de vidange, vous pouvez maintenant directement éliminer l'eau condensée vers un tuyau d'évacuation vertical ou un lavabo.

### CONNEXION DU TUYAU DE VIDANGE (SUITE)

4. Sur le bord d'un lavabo : le tuyau de vidange doit être placé à une hauteur inférieure à 47" (120 cm) et supérieur à 30" (76 cm). Pour garder le bec du tuyau de vidange courbé, utilisez le guide en plastique fourni. Fixez le guide sur le mur avec un crochet ou au robinet avec un morceau de ficelle pour empêcher le tuyau de vidange de bouger.
5. Assemblez le tuyau de vidange et le guide de tuyau et fixez-les avec un attache-câble.



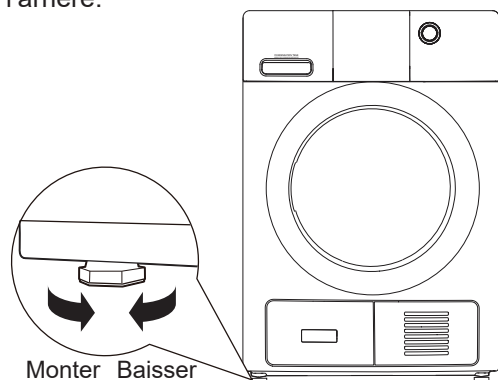
N'insérez pas le tuyau de vidange dans le tuyau d'évacuation de plus de 10 cm (4 pouces). Si vous insérez le tuyau de vidange de plus de 10 cm, vous risquez de provoquer une fuite.

# Instructions d'installation

## INSTALLATION FINALE

### 1 METTEZ LA SÈCHEUSE DE NIVEAU

Placez la sècheuse à proximité de l'emplacement final. Réglez les quatre pattes de nivellement pour la mettre de niveau de gauche à droite, et de l'avant vers l'arrière.



### 3 DÉMARRAGE DE LA SÈCHEUSE

Appuyez sur la touche **Power** (Alimentation).

Power

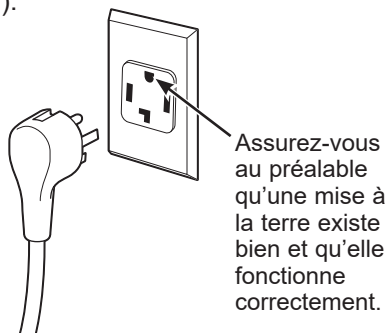


**REMARQUE** : Si la sècheuse a été exposée à des températures inférieures au point de congélation pendant une période prolongée, laissez-la se réchauffer avant d'appuyer sur **Power** (Alimentation). Sinon, l'écran ne s'allumera pas.

La sècheuse est maintenant prête à l'emploi.

### 2 BRANCHEZ LA SÈCHEUSE

**NOTE** : Les installations superposées peuvent nécessiter un cordon d'alimentation d'une longueur de d'1,8 m (6 pieds).



# Instructions d'installation

## COMMENT SUPERPOSER LA SÈCHEUSE À LA LAVEUSE (optionnel)

Si vous envisagez de superposer une sècheuse et une laveuse, commandez la Trousse de Superposition GFA24KITL à utiliser avec cette sècheuse. La trousse est vendue séparément.

### AVANT DE COMMENCER

Lisez attentivement ces instructions dans leur intégralité.

- **IMPORTANT** – Gardez ces instructions pour l'usage de l'inspecteur électrique local.
- **IMPORTANT** – Observez toutes les réglementations et ordonnances en vigueur.
- **Remarque pour l'installateur** – Assurez-vous de laisser ces instructions au client.
- **Remarque pour le consommateur** - Gardez ces instructions à titre de référence ultérieure.
- L'installation de la sècheuse **doit** être effectuée par un installateur qualifié.
- La responsabilité d'installer correctement l'appareil relève de l'installateur.

### ENSEMBLE DE SUPERPOSITION

Commandez en ligne sur [www.electromenagersge.ca](http://www.electromenagersge.ca) 24 heures sur 24, ou en téléphonant au **800.561.3344** durant les heures normales de bureau.

**Numéro de pièce**      **GE Appliances Accessoire**  
**GFA24KITL**              Ensemble complet superposition

### EXIGENCES RELATIVES À UNE INSTALLATION ENCASTRÉE

#### **⚠ AVERTISSEMENT** - Risque d'explosion

Gardez les matières et les vapeurs inflammables telles que l'essence à distance de la sècheuse. Placez la sècheuse à au moins 46 cm (18 po) au-dessus du sol dans le cas d'une installation dans un garage. L'omission de prendre ces précautions peut provoquer la mort, l'explosion ou l'incendie.

- L'espace minimum entre la sècheuse et les murs adjacents ou d'autres surfaces est le suivant:
  - 0 cm (0 po) des deux côtés
  - 2,54 cm (1 po) avant et arrière
  - 2,54 cm (1 po) haut
- L'arrière de la sècheuse doit faire face à un mur.
- Il faut veiller à procurer le dégagement nécessaire à l'installation et aux interventions de service.
- Les portes du placard doivent être perforées ou bien ventilées et disposer d'au moins 150 cm<sup>2</sup> (60 pouces carrés) d'espace. Si le placard abrite une laveuse et une sècheuse, les portes doivent disposer de 3 m<sup>2</sup> (120 pouces carrés) au minimum d'espace ouvert.

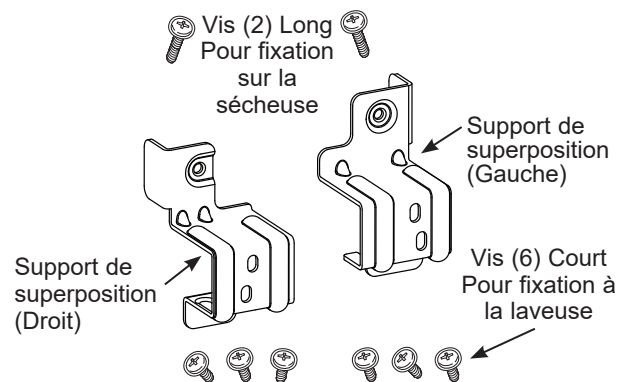
### DÉGAGEMENTS MINIMUMS AUTRES QUE POUR UNE INSTALLATION ENCASTRÉE

Les dégagements minimums par rapport aux surfaces inflammables et pour l'orifice d'aération sont les suivants : 0 cm (0 po) des deux côtés, 2,54 cm (1 po) à l'arrière et 2,54 cm (1 po) haut.




L'arrière de la sècheuse doit faire face à un mur.

Veillez à prévoir des dégagements suffisants pour toute installation et réparation.

### CONTENU DU KIT (GE APPLIANCES NUMÉRO DU KIT GFA24KITL)



### OUTILS NÉCESSAIRES

- Tournevis cruciforme 
- Gants 
- Niveau 

### COMMENT PRÉPARER L'INSTALLATION

Retirez l'emballage.

Aplatissez le carton pour l'utiliser comme cale pour coucher la sècheuse sur le côté. Utilisez le carton pour protéger également le sol en face de l'endroit choisi pour l'installation.

# Instructions d'installation

## INSTALLATION DU SUPPORT DE SUPERPOSITION

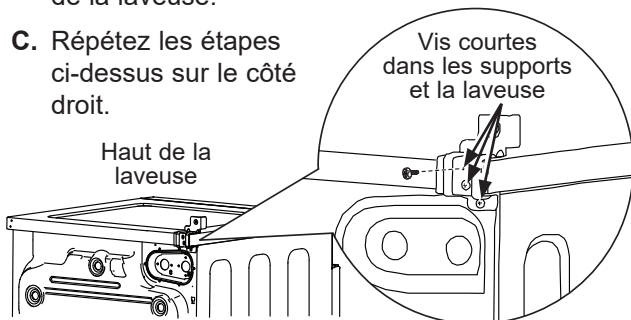
### 1 INSTALLER LE SUPPORT SUR LA LAVEUSE

A. Retirez la vis du couvercle de la laveuse du côté gauche. Alignez les trous dans le support gauche avec le trou de vis du couvercle sur le côté gauche de l'appareil et remettez la vis en place.

**NOTE :** Ne revissez pas la vis de façon à ce que l'alignement des trous de la sécheuse soit facilité.

B. Insérez la vis suivante dans le support à l'arrière de la laveuse.

C. Répétez les étapes ci-dessus sur le côté droit.

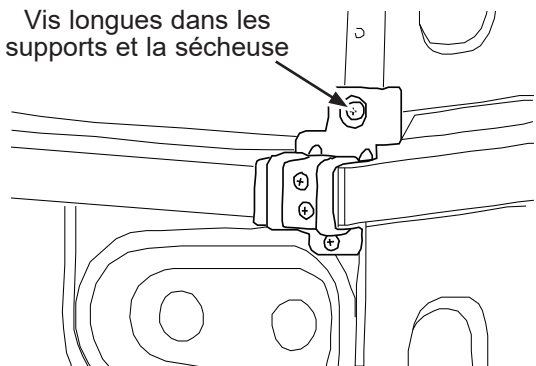


### 2 COMMENT INSTALLER LA SÉCHEUSE ET LE SUPPORT SUR LA SÉCHEUSE (SUITE)

B. Alignez les trous du support sur ceux situés à l'arrière de la sécheuse. À l'aide d'un tournevis cruciforme, vissez les 2 vis taraudeuses #8 x 1/2 po.

C. Serrez les vis de support de la sécheuse, puis serrez les vis du dispositif de superposition.

Vis longues dans les supports et la sécheuse



### 2 COMMENT INSTALLER LA SÉCHEUSE ET LE SUPPORT SUR LA SÉCHEUSE

**⚠ AVERTISSEMENT** Coupez l'alimentation électrique avant de procéder à l'installation. Vous risquez de vous blesser gravement si vous ne le faites pas.

**⚠ AVERTISSEMENT**  - Risque lié au poids excessif

L'omission de prendre cette précaution peut causer une blessure au dos ou à une autre partie du corps, ou des dommages matériels.

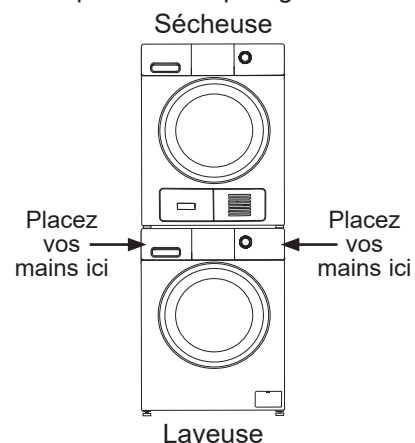
- La participation de deux personnes ou plus est nécessaire pour installer la sécheuse.
- Évitez le basculement et le débranchement des services publics.
- La sécheuse doit être correctement fixée à la laveuse.
- **NE** placez **PAS** la laveuse au dessus de la sécheuse.

A. Placez la sécheuse au-dessus de la laveuse. Protégez le panneau de contrôle avec du carton ou tout autre protection. Prenez soin de soulever la sécheuse à une hauteur suffisante de manière à ne pas masquer le panneau de contrôle de la laveuse.

### 3 COMMENT TERMINER L'INSTALLATION

**⚠ ATTENTION** Ne poussez pas sur la sécheuse lorsqu'elle est installée au-dessus de la laveuse. Si vous poussez sur la sécheuse, vous risquez de vous coincer vos doigts.

- Reportez-vous aux consignes d'installation pour terminer l'installation de la laveuse.
- Reportez-vous aux consignes d'installation pour terminer l'installation de la sécheuse.
- Poussez avec précaution la laveuse et la sécheuse superposées à leur emplacement définitif. Utilisez des cales en feutre ou tout autre dispositif coulissant pour faciliter le déplacement et protéger le revêtement du sol.





# Instructions d'installation

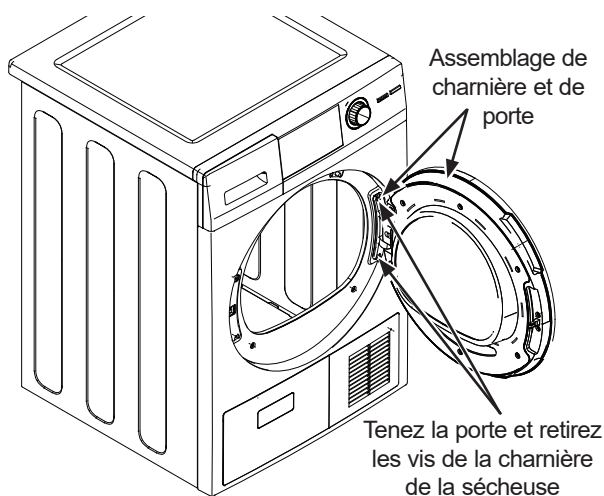
## INVERSION DE L'OUVERTURE DE LA PORTE (Optionnel)

### REMARQUES IMPORTANTES

- Avant de commencer, débranchez la sécheuse de sa prise électrique.
- Manipulez les pièces avec soin afin d'éviter d'abîmer la peinture.
- Prévoyez une surface non abrasive pour les portes.
- Outils nécessaires : Tournevis cruciforme.
- Après avoir commencé, ne déplacez pas la sécheuse avant que l'inversion de l'ouverture de la porte n'ait été effectuée.
- Ces instructions permettent de transférer les charnières du côté droit vers le côté gauche. Si vous souhaitez les réinstaller du côté droit, veuillez suivre ces mêmes instructions et inversez toutes les références aux termes gauche et droite.

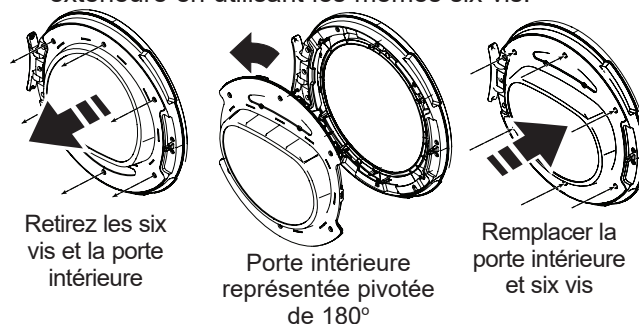
### 1 RETIREZ L'ASSEMBLAGE DE PORTE

- Ouvrez la porte. Retirez les deux vis qui retiennent l'assemblage charnière / porte à la sécheuse. Mettre soigneusement l'assemblage charnière / porte de côté.



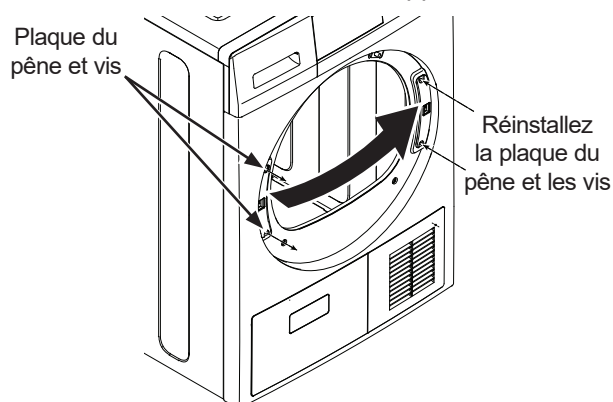
### 3 RETIREZ, TOURNEZ ET REMPLACEZ LA PORTE INTÉRIEURE

- Retirez les six vis qui fixent la porte intérieure à la porte extérieure. Retirez la porte intérieure, faites-la pivoter de 180° et réinstallez-la dans la porte extérieure en utilisant les mêmes six vis.



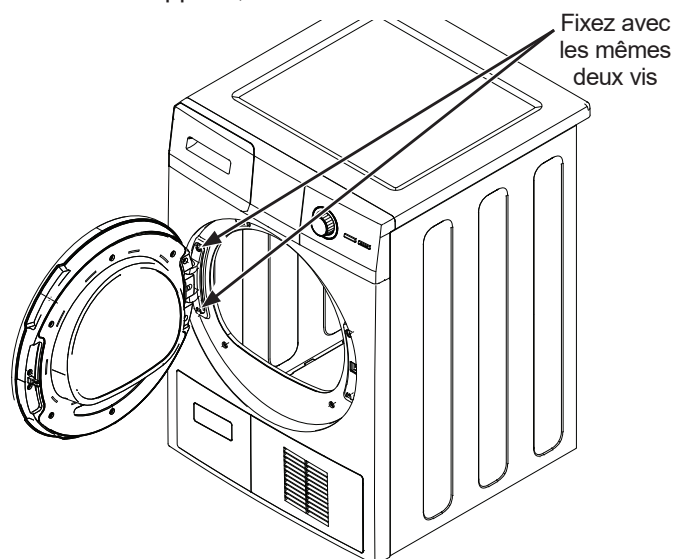
### 2 RETIREZ, TOURNEZ ET REMPLACEZ LA PLAQUE DU PÊNE

- Retirez les deux vis qui retiennent le pêne. Tournez-le et installez-le du côté opposé.



### 4 TOURNEZ ET REMPLACEZ L'ASSEMBLAGE CHARNIÈRE / PORTE

- Tournez et remplacez l'assemblage charnière / porte, du côté opposé, en utilisant les mêmes deux vis.



## Conseils de Dépannage...Avant d'appeler un réparateur

| Problème   | Causes possibles   | Correctifs   |
|--|--|--|
| La sècheuse émet des secousses et des bruits                                 | Le bruit/ou les secousses sont normaux. La sècheuse est peut-être placée sur une surface inégale               | Placez l'appareil sur une surface plane, ou ajustez les pattes au besoin jusqu'à ce qu'il soit bien de niveau.   |
| Le séchage est trop long   | Tri erroné   | Séparez les articles lourds des légers (en général un linge correctement trié dans la laveuse l'est aussi dans la sècheuse).   |
|  | Charges de tissus lourds (serviettes par exemple)  | Les tissus lourds et de grande taille contiennent de l'humidité et tardent davantage à sécher. Répartissez les tissus lourds et de grande taille en de plus petites charges pour accélérer le séchage.   |
|  | Sècheuse à condensation  | Les sècheuses à condensation prennent généralement plus de temps à sécher qu'une sècheuse à évacuation.  |
|  | Les commandes sont mal réglées   | Réglez les commandes conformément à la charge que vous séchez.   |
|  | La boîte du condenseur est bouchée   | Retirez et nettoyez le boîtier du condenseur. En outre, nettoyez le support où se trouve la boîte du condenseur, en s'assurant que tous les joints sont libres de débris. Remettez la boîte du condenseur et verrouillez-la en place. Voir <b>Condenser (Condenseur)</b> dans la section <b>Entretien et nettoyage</b> . |
|  | Le filtre à charpie est plein  | Nettoyez le filtre à charpie avant chaque utilisation.   |
|  | Fusibles grillés ou disjoncteur déclenché  | Remplacez les fusibles ou réenclenchez les disjoncteurs. La plupart des sècheuses étant équipées de 2 fusibles/disjoncteurs, assurez-vous que les deux fonctionnent.   |
|  | Surcharge/charges mixtes   | Ne mettez pas plusieurs charges dans la sècheuse à la fois.  |
| Charge insuffisante  | Si vous ne séchez qu'un ou deux articles, ajoutez d'autres vêtements afin d'obtenir un bon culbutage.          |  |
| Le niveau de séchage Dry a été sélectionné mais le linge est toujours humide | La brassée est composée de vêtements lourds et légers  | Lorsque vous mélangez les tissus lourds et légers, sélectionnez <b>More Dry (Plus Sec)</b> .   |
|  | Le filtre à charpie, le condenseur et/ou l'admission d'air situé à l'avant de la sècheuse est bouché           | Inspectez ou nettoyez le filtre à charpie et/ou l'admission d'air situé à l'avant de la sècheuse.  |
|  | Le capteur d'humidité est sale   | Nettoyez le capteur avec un chiffon humide.  |
| Les touches de commande ne répondent pas                                     | Les commandes ont été accidentellement réglées au mode réparation  | Appuyez sur <b>Start/Pause (Mise en marche/pause)</b> .  |
|  | Les commandes ont été accidentellement réglées au mode verrouillage  | Maintenez la touche <b>Lock Control (Verrouillage)</b> enfoncée pendant 3 secondes pour déverrouiller la sècheuse.   |
|  | Les commandes fonctionnent mal   | Réenclenchez le disjoncteur de votre domicile.   |
| La sècheuse ne démarre pas   | Le panneau de contrôle est en « veille »   | C'est normal. Appuyez sur <b>Power (Alimentation)</b> pour activer le panneau de contrôle.   |
|  | La sècheuse est débranchée   | Veillez à ce que la fiche de la sècheuse soit entièrement branchée dans la prise.  |
|  | Fusible grillé/disjoncteur déclenché   | Vérifiez le fusible disjoncteur et remplacez le fusible ou réenclenchez le disjoncteur. <b>REMARQUE</b> : Les sècheuses électriques utilisent deux fusibles ou disjoncteurs.   |
|  | La sècheuse a été arrêtée par inadvertance au moment de régler la fonction Delay Dry (Mise en marche différée) | Si la lumière de la touche <b>Start/Pause (Mise en marche/pause)</b> clignote, la sècheuse est arrêtée. Appuyez sur <b>Start/Pause (Mise en marche/pause)</b> pour lancer le compte à rebours.   |
|  | Le réservoir d'eau est plein   | Si le voyant <b>Empty Tank (Vider le réservoir)</b> est allumé, il sera nécessaire de vider le réservoir d'eau avant de remettre la sècheuse en marche. Reportez-vous à la section <b>Entretien et Nettoyage</b> pour les instructions de vidange du réservoir d'eau.  |

# Conseils de Dépannage...Avant d'appeler un réparateur

| Problème  | Causes possibles   | Correctifs  |
|---|--|---|
| Aucun chiffre n'apparaît pendant le cycle, il ne fait que s'allumer               | La sècheuse évalue la quantité d'humidité du linge   | C'est normal. Lorsque la sècheuse détectera un faible niveau d'humidité dans le linge, elle affichera le temps de séchage restant.  |
| Le temps restant a diminué  | Le temps estimé risque de changer lorsqu'une charge plus petite est en train de sécher   | C'est normal.   |
| Impossible de procéder à une sélection et la sècheuse émet un double bip          | L'option dryness Level (Niveau de séchage), Temp (Temperature) ou l'option que vous tentez de sélectionner est incompatible avec le cycle de séchage sélectionné | C'est normal.   |
| La sècheuse fonctionne mais 00 est le temps restant affiché                       | L'option Extend Tumble (Culbutage prolongé) a été sélectionnée   | C'est normal. Pendant un culbutage prolongé, le temps restant n'est pas affiché. L'option de culbutage prolongé dure environ 60 minutes.  |
| Nettoyez le filtre (message)  | Le bouton Power (Alimentation) a été activé  | Appuyez sur <b>Start/Pause</b> (Mise en marche/pause) pour à charpie lancer un cycle de séchage et le message disparaîtra.  |
| La sècheuse ne chauffe pas  | Fusible grillé/disjoncteur déclenché, la sècheuse peut tourner mais ne chauffe pas   | Vérifiez le fusible disjoncteur et remplacez le fusible ou réenclenchez le disjoncteur. Votre sècheuse peut tourner si un fusible est grillé ou un disjoncteur est déclenché.   |
| Temps de séchage non uniformes  | Type de charge et conditions de séchage  | La charge, les types de tissu, l'humidité des vêtements et l'état du filtre à charpie, du condenseur, et/ou de l'admission d'air situé à l'avant de la sècheuse affecteront les durées de séchage.  |
|   | Des débris se sont accumulés sur le condenseur empêchant une ventilation adéquate  | Consultez la section <b>Entretien et Nettoyage</b> .  |
| Lueur à l'arrière du tambour  | Chauffage à l'arrière du tambour   | C'est normal. Dans certaines conditions de séchage et d'éclairage ambiant, la lueur des chauffages peut être visible à l'arrière du tambour.  |
| Le linge est toujours humide et la sècheuse s'est arrêtée après quelques instants | La porte a été ouverte au milieu du cycle. Le linge a été ensuite retiré de la sècheuse et une nouvelle charge introduite sans sélectionner un nouveau cycle     | Un cycle de séchage doit être sélectionné chaque fois qu'une nouvelle brassée est placée dans l'appareil.   |
|   | Charge petite  | Si vous séchez 3 articles au plus, sélectionnez <b>Speed Dry</b> (Séchage rapide) ou <b>Time Dry</b> (Séchage minuté).  |
|   | Le linge est déjà sec à l'exception des cols et les ceintures  | Sélectionner <b>Quick Dry</b> (Séchage rapide) ou <b>Time Dry</b> (Séchage minuté) pour sécher des cols et des ceintures. À l'avenir, lorsque vous séchez des articles possédant des cols et des ceintures, sélectionnez plutôt <b>More Dry</b> (Plus Sec). |
|   | La sècheuse n'est pas placée sur une surface plane   | Placez l'appareil sur une surface plane, ou ajustez les pattes au besoin jusqu'à ce qu'il soit bien de niveau.  |
| Le linge est froissé  | Séchage excessif   | Sélectionnez un temps de séchage plus court.<br>Retirez du linge pendant qu'il est encore légèrement humide. Sélectionnez les options <b>Less Dry</b> (Moins sec) ou <b>Damp</b> (Humide).  |
|   | Linge laissé dans la sècheuse alors que le cycle est fini<br><br>Surcharge   | Retirez le linge une fois le cycle terminé, pliez et suspendez-le immédiatement, ou utilisez l'option <b>Ext Tumble</b> (Culbutage Prolongé).<br><br>Répartissez les tissus lourds et de grande taille en de plus petites charges.                          |

## Conseils de Dépannage...Avant d'appeler un réparateur

| Problème  | Causes possibles  | Correctifs  |
|---|---|---|
| Le linge a rétréci  | Certains tissus rétréciront naturellement au lavage. D'autres peuvent être lavés sans problème, mais rétréciront dans la sècheuse | Afin d'éviter tout rétrécissement, suivez les indications figurant sur les étiquettes des vêtements.<br>Certains vêtements doivent être étirés après le séchage afin qu'ils retrouvent leur forme d'origine.<br>Si vous avez peur qu'un vêtement rétrécisse, ne le lavez pas à la machine ou ne le séchez pas dans la sècheuse. |
| Des tâches de gras sur le linge   | Une utilisation inadéquate de l'assouplissant   | Suivez le mode d'emploi figurant sur l'emballage de l'assouplissant.  |
|   | Séchage de linge propre avec du linge sale  | Utilisez votre sècheuse pour ne sécher que du linge propre. Le linge sale risque de tacher le linge propre et la sècheuse.  |
|   | Le linge n'était pas complètement propre  | Il arrive parfois que des taches ne soient pas visibles lorsque le linge est humide et apparaissent après le séchage. Utilisez des procédures de lavage adéquates avant le séchage.   |
| De la charpie sur le linge  | Le filtre à charpie est plein   | Nettoyez le filtre à charpie avant chaque utilisation.  |
|   | Tri erroné  | Triez les tissus producteurs de charpie (chenille par exemple) des tissus collecteurs de charpie (le velours côtelé par exemple).   |
|   | L'électricité statique peut attirer la charpie  | Se reporter aux suggestions de la section <b>Électricité statique</b> .   |
|   | Surcharge   | Répartissez les tissus lourds et de grande taille en de plus petites charges.   |
|   | Papier, mouchoir, etc., oubliés dans les poches   | Videz toutes les poches avant de laver le linge.  |
| Électricité statique  | Aucun assouplissant n'a été utilisé   | Essayez un assouplissant.<br>Les feuilles d'assouplissant textile de marque BounceMD ont été approuvées pour toutes les sècheuses GE Appliances lorsqu'elles sont utilisées conformément aux instructions du fabricant.   |
|   | Séchage excessif  | Essayez un assouplissant.<br>Réglez l'option <b>Less Dry</b> (Moins Sec) ou <b>Damp</b> (Humide).   |
|   | Les synthétiques, les mélanges et les infroissables peuvent provoquer de l'électricité statique                                   | Essayez un assouplissant.   |
| Les cols et les ceintures sont toujours humides à la fin du cycle                             | Le capteur d'humidité détecte que la majeure partie du linge est sèche  | Sélectionnez <b>Quick Dry</b> (Séchage rapide) ou <b>Time Dry</b> (Séchage minuté) pour sécher les cols et les ceintures humides. À l'avenir, lorsque vous séchez des articles possédant des cols et des ceintures, sélectionnez plutôt <b>More Dry</b> (Plus Sec).   |
| Légère variation de la couleur métallique   | C'est normal  | En raison des propriétés métalliques de la peinture utilisée pour ce produit, de légères variations de couleur peuvent se produire en raison des conditions d'éclairage et des angles d'observation.  |
| La sècheuse continue à fonctionner après que l'affichage indique que le programme est terminé | L'option de culbutage prolongé a été sélectionnée   | Assurez-vous que l'option <b>Ext Tumble</b> (Culbutage prolongé) n'a pas été sélectionnée.  |

# Garantie limitée de la sècheuse GE Appliances

**GARANTIE LIMITÉE**

[www.electromenagersge.ca](http://www.electromenagersge.ca)

Toutes les réparations sous garantie seront effectuées par nos centres de réparation ou nos réparateurs autorisés. Pour planifier un service en ligne, rendez-vous sur [Electromenagersge.ca/fr/soutien/demande-de-service](http://Electromenagersge.ca/fr/soutien/demande-de-service) ou appelez le **800.561.3344**. Veuillez fournir le numéro de série et le numéro de modèle lorsque vous appelez pour obtenir le service.

Pour le diagnostic, la réparation de votre appareil peut nécessiter l'utilisation du port de données embarqué. Celui-ci permet au technicien de réparation GE Appliances de diagnostiquer rapidement des problèmes avec votre appareil. Il permet également à GE Appliances d'améliorer ses produits en fournissant à ces derniers des informations sur votre appareil. Si vous ne voulez pas que les données de votre appareil soient envoyées à GE Appliances, veuillez demander à votre technicien de NE PAS soumettre les données à GE Appliances pendant la réparation.

|  |   |
|--|---|
| <b>Pendant la période de :</b>                         | <b>Nous remplacerons :</b>  |
| <b>Un an</b><br>À compter de la date d'achat d'origine | <b>Toute pièce</b> de la sècheuse qui se révèle défectueuse en raison d'un vice de matériaux ou de fabrication. Au cours de cette <b>garantie limitée d'un an</b> , nous fournirons également, <b>sans frais</b> , les pièces et la main-d'œuvre pour remplacer la pièce défectueuse. |

## Ce qui n'est pas couvert :

- Toute visite à votre domicile pour vous expliquer le fonctionnement de l'appareil.
- L'installation, la livraison ou l'entretien inadéquats de l'appareil.
- Toute défectuosité du produit attribuable à une utilisation abusive ou inadéquate, s'il a été utilisé à toute autre fin que celle pour laquelle il a été conçu, ou s'il a été utilisé à des fins commerciales.
- Le remplacement des fusibles ou le réenclenchement des disjoncteurs de votre domicile.
- Les produits qui ne sont pas défectueux ou brisés, ou qui fonctionnent tel que décrit dans le Manuel de l'utilisateur.
- Tout dommage au produit attribuable à un accident, un incendie, une inondation ou une catastrophe naturelle.
- Tout dommage accessoire ou indirect, causé par des défaillances possibles de l'appareil.
- Les défectuosités ou les dommages causés par une utilisation de l'appareil à des températures situées sous le point de congélation.
- Tout dommage causé après la livraison.
- Tout produit auquel il n'est pas possible d'accéder pour effectuer les réparations nécessaires.
- Le nettoyage du condenseur pour restaurer la performance de la sècheuse.

## EXCLUSION DES GARANTIES IMPLICITES :

Votre seul et unique recours est de faire réparer le produit dans le cadre de cette garantie limitée. Toute garantie implicite, incluant la garantie de qualité marchande ou d'adaptabilité du produit à un usage particulier, est limitée à un an ou à la période la plus courte autorisée par la loi.

Agrafez le reçu d'achat ici. Pour obtenir le service sous garantie, vous devrez fournir la preuve de l'achat original.

Cette garantie limitée est offerte à l'acheteur initial, ainsi qu'à tout propriétaire subséquent d'un produit acheté au Canada en vue d'une utilisation domestique au Canada. Si le produit se situe dans une zone où aucun réparateur agréé par GE Appliances n'est disponible, vous devrez peut-être assumer les frais de déplacement de celui-ci ou apporter le produit à un atelier de réparation agréé par GE Appliances.

Dans certains États ou province, il est interdit d'exclure ou de limiter les dommages indirects ou accessoires. Il est alors possible que les limitations ou exclusions ci-dessus ne s'appliquent pas dans votre cas. La présente garantie limitée vous confère des droits juridiques spécifiques. Vous pouvez bénéficier d'autres droits, qui varient d'un État ou d'une province à l'autre. Pour connaître les droits dont vous bénéficiez, communiquez avec le bureau des Relations avec les consommateurs de votre région ou de votre province.

**Garant : MC Commercial Inc., Burlington, ON, L7R 5B6**

# Soutien au consommateur

---

## Site Web de GE Appliances

Vous avez une question ou vous avez besoin d'aide pour votre appareil électroménager? Visitez le site Web de GE Appliances 24 heures par jour, tous les jours de l'année! Vous pouvez aussi y trouver d'autres formidables produits GE Appliances et tirer avantage de tous nos services d'assistance en ligne. Au Canada : **ElectromenagersGE.ca/fr**

---

## Enregistrez votre électroménager

Enregistrez votre nouvel appareil en ligne au moment qui vous convient le mieux! L'enregistrement de votre produit dans les délais prescrits permet une meilleure communication et un service rapide, selon les modalités de votre garantie, si besoin est. Vous pouvez également envoyer par courrier la carte d'enregistrement pré-imprimée qui se trouve dans l'emballage de votre appareil.

Au Canada : **electromenagersge.ca/soutien-apres-vente**

---

## Service de réparation

Un service de réparation expert GE Appliances se trouve à quelques pas de chez vous. Rendez-vous sur notre site et programmez, à votre convenance, une visite de réparation à n'importe quel jour de l'année.

Au Canada : **electromenagersge.ca/soutien-apres-vente** ou composez le 800.561.3344

---

## Prolongation de garantie

Procurez-vous une prolongation de garantie GE Appliances et informez-vous des rabais spéciaux en vigueur pendant la durée de votre garantie. Vous pouvez vous la procurer en ligne en tout temps. Les services GE Appliances seront toujours disponibles après l'expiration de la garantie.

Au Canada : **electromenagersge.ca/achat-dune-garantie-prolongee** ou composez le 866.277.9842.

---

## Connectivité à distance

Pour de l'assistance concernant la connectivité au réseau sans fil (pour les modèles équipés de cette fonction), visitez notre site Web au **electromenagersge.ca/connected-appliances** ou composez le 800.220.6899.

---

## Pièces et accessoires

Les personnes ayant les compétences requises pour réparer elles-mêmes leurs appareils peuvent recevoir directement à la maison des pièces ou accessoires (les cartes VISA, MasterCard et Discover sont acceptées). Commandez en ligne 24 heures par jour.

Au Canada : **electromenagersge.ca/pièces-filtres-et-accessoires** ou composer le 800.661.1616.

**Les instructions contenues dans le présent manuel comportent des procédures que tout utilisateur peut effectuer. Les autres types de réparation doivent généralement être confiés à un technicien qualifié. Utilisez de prudence : une réparation ou un entretien mal effectués peuvent rendre l'utilisation de l'appareil dangereuse.**

---

## Communiquez avec nous

Si vous n'êtes pas satisfait du service après-vente de GE Appliances, communiquez avec nous depuis notre site Web en fournissant tous les détails dont votre numéro de téléphone, ou écrivez à :

Au Canada : Director, Customer Relations | MC Commercial Inc. | Suite 300, 5420 North Service Road | Burlington, ON L7L 6C7  
**electromenagersge.ca/contactez-nous** ou composer le 877.994.5366



# SECADORAS

**INFORMACIÓN DE SEGURIDAD** ..... 3

**USAR LA SECADORA**

Puesta en Marcha ..... 4

Carga ..... 8

Características ..... 8

**CUIDADO Y LIMPIEZA** ..... 9

**INSTRUCCIONES DE INSTALACIÓN** ..... 11

Cómo apilar la lavadora y la secadora (Opcional) ..... 19

Cambiar el sentido de apertura de la puerta (Opcional) ..... 21

**CONSEJOS PARA SOLUCIÓN DE PROBLEMAS** ..... 22

**GARANTÍA LIMITADA** ..... 25

**SOPORTE AL CLIENTE** ..... 26

**MANUAL DEL PROPIETARIO E INSTRUCCIONES DE INSTALACIÓN**

GFT14

Escriba aquí los números de modelo y serie:

Modelo # \_\_\_\_\_

Serie # \_\_\_\_\_

Se encuentran en una etiqueta en el frente de la secadora detrás de la puerta.

## **GRACIAS POR HACER QUE GE APPLIANCES SEA PARTE DE SU HOGAR.**

---

Ya sea que haya crecido usando GE Appliances, o que ésta es su primera vez, nos complace tenerlo en la familia.

Sentimos orgullo por el nivel de arte, innovación y diseño de cada uno de los electrodomésticos de GE Appliances, y creemos que usted también. Entre otras cosas, el registro de su electrodoméstico asegura que podamos entregarle información importante del producto y detalles de la garantía cuando los necesite.

Registre su electrodoméstico GE ahora a través de Internet. Sitios Web y números telefónicos útiles están disponibles en la sección de Soporte para el Consumidor de este Manual del Propietario.

También puede enviar una carta en la tarjeta de inscripción preimpresa que se incluye con el material embalado.



**GE APPLIANCES**



# INFORMACIÓN IMPORTANTE DE SEGURIDAD

## LEA TODAS LAS INSTRUCCIONES ANTES DE USAR

### ⚠ ADVERTENCIA

Para reducir el riesgo de incendio, explosión, descargas eléctricas o lesiones sobre las personas al usar su electrodoméstico, siga las precauciones básicas, incluyendo lo siguiente:

- Lea todas las instrucciones antes de usar este electrodoméstico.
- **NO** seque prendas que en forma previa hayan sido secadas, lavadas, penetradas, o manchadas con gasolina, solventes de limpieza en seco, u otras sustancias inflamables o explosivas, ya que despiden vapores que se podrían encender o explotar.
- **NO** coloque prendas expuestas a aceites de cocción en su secadora. Las prendas contaminadas con aceites de cocción podrán contribuir a una reacción química que podría hacer que una carga de ropa se prenda fuego. Para reducir el riesgo de incendio debido a unas cargas contaminadas, la parte final del ciclo de la secadora se produce sin calor (período de enfriamiento). Evite detener una secadora antes del final del ciclo de secado a menos que todos los artículos se retiren y se dispersan rápidamente para que el calor se disipe.
- Riesgo de asfixia y lesiones por atrapamiento: **NO** permita que los niños jueguen sobre o dentro de este electrodoméstico. Cuando el electrodoméstico se use cerca de niños, será necesario supervisarlos de cerca.
- Antes de que este electrodoméstico quede fuera de uso o se descarte, retire la puerta del compartimiento de secado.
- **NO** introduzca las manos en la secadora cuando el tambor se encuentre en movimiento.
- **NO** instale ni guarde este electrodoméstico donde quede expuesto a los factores climáticos.
- **NO** manipule indebidamente los controles.
- **NO** se trepe ni se pare sobre la unidad.
- **NO** reparar ni reemplazar cualquier parte del electrodoméstico o realizar cualquier otro trabajo técnico, a menos que esto sea específicamente recomendado en las instrucciones de mantenimiento del usuario o en instrucciones publicadas sobre reparaciones del usuario, que entienda y para las cuales posea las destrezas necesarias.
- Siga todas las instrucciones y advertencias de cuidado de tejidos para evitar el derretimiento de las prendas o daños al aparato.
- **NO** utilice suavizantes de tela ni productos para eliminar la estática, a menos que esto sea recomendado por el fabricante del suavizante de tela u otro producto.
- **NO** use calor para secar artículos que contengan gomaespuma o materiales similares al caucho con textura similar.
- Limpie la pantalla de pelusa y limpie y vacíe el condensador antes o después de cada carga.
- **NO** utilice la secadora si el filtro de pelusas o el condensador **no** se encuentra colocado.
- **NO** guarde materiales combustibles, gasolina u otros líquidos inflamables cerca de la secadora. Mantenga el área alrededor de la ventilación de la entrada de aire en el frente de la secadora y las áreas adyacentes circundantes libres de acumulación de pelusa, polvo y suciedad.
- La parte interior del electrodoméstico debe limpiar periódicamente por personal calificado del servicio técnico.
- Desenchufe el electrodoméstico o apague el disyuntor antes de realizar el servicio técnico. Presionar el botón **Power** (Encendido) o **Start/Pause** (Inicio/Pausa) **NO** desconecta el encendido.
- **NO** utilice este electrodoméstico si se encuentra dañado, funcionando mal, parcialmente desensamblado, o si tiene partes faltantes o rotas, incluyendo un cable o enchufe dañado.
- **NO** utilice piezas de reemplazo que no hayan sido recomendadas por el fabricante. (Por ejemplo: piezas hechas en casa usando una impresora 3D).
- **NO** rocíe ningún tipo de aerosol dentro, sobre ni cerca de la secadora en ningún momento. **NO** use ningún tipo de limpiador en spray para limpiar el interior de la secadora. Se podrán producir vapores o una descarga eléctrica.
- Para acceder a las instrucciones de conexión a tierra, lea los "CONEXIÓN ELÉCTRICA" ubicados en las Instrucciones de Instalación.

### Forma adecuada de descartar su electrodoméstico

- Descarte o recicle su electrodoméstico de acuerdo con las Regulaciones Federales y Locales. Comuníquese con las autoridades locales para descartar o reciclar su electrodoméstico de forma ambientalmente segura.
- Tenga en cuenta las opciones de reciclaje del material de embalaje de su electrodoméstico.

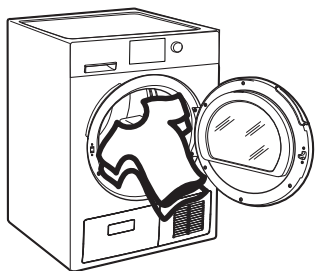
## LEA Y GUARDE ESTAS INSTRUCCIONES

# Puesta en Marcha

**⚠ ADVERTENCIA** Para reducir el riesgo de incendios, descargas eléctricas o heridas, lea la **INFORMACIÓN IMPORTANTE DE SEGURIDAD** antes de utilizar este electrodoméstico.

Es posible que las funciones y apariencias varíen con relación a su modelo a lo largo del manual.

### Paso 1

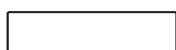


- Agregue las prendas.
- Cierre la puerta.

**NOTA:** La secadora no se iniciará con la puerta abierta.

### Paso 2

Power

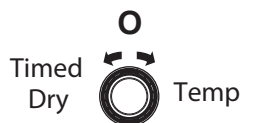


- Si la pantalla se encuentra oscura, presione el botón Power (encendido/apagado) para “despertar” la pantalla.

### Paso 3



- Seleccione un ciclo de secado. (Existen configuraciones por defecto para cada ciclo de secado. Estas configuraciones por defecto pueden modificarse. Para más información, consulte configuraciones de control.)



- Presione el botón **Timed Dry** (Secado por Tiempo), gire la perilla para ajustar el tiempo, y presione el botón **Temp** (Temperatura) para configurar su propia temperatura.

### Paso 4

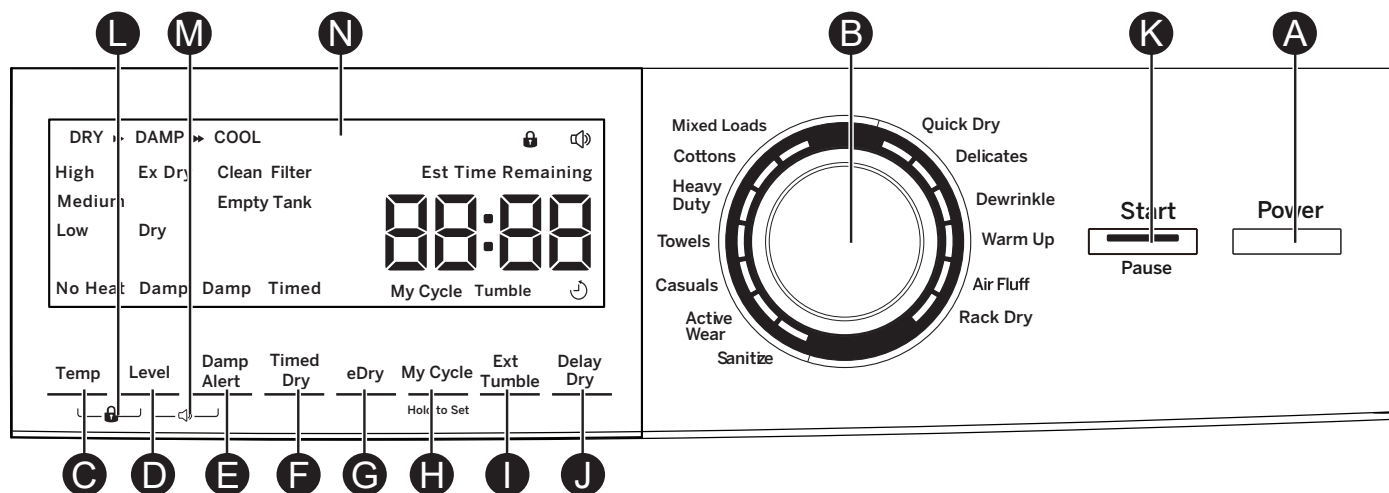
Start



Pause

- Si seleccionó un ciclo de lavado, presione el botón Start/ Pause (iniciar/pausa).

## Controles



### **A** Power (Encendido/apagado)

Pulse este botón para “activar” la pantalla. Si la pantalla está activa, presione para apagar la secadora.

**NOTA:** Al pulsar el botón de Power (encendido/apagado) no se desconecta la lavadora de la corriente.

# Puesta en Marcha

## B Ciclos de secado

El ciclo de secado controla el tiempo del ciclo para el proceso de secado. La tabla siguiente lo ayudará a combinar la configuración de secado con las cargas.

|  |   |
|--|---|
| <b>Mixed Loads (Carga mixta) o Normal (Dependiendo del modelo)</b> | Para cargas que cuentan con algodones y mezclas de poliéster.   |
| <b>Cottons (Algodones)</b>   | Para algodones y la mayoría de los linos. <b>NOTA:</b> Los modelos de <b>Energy Star®</b> son probados en <b>Cottons (Algodones)</b> con la configuración predeterminada.   |
| <b>Heavy Duty (Muy Resistentes)</b>                                | Para abrigos grandes, prendas de cama, cubiertas de colchones, bolsas de dormir, mantas, edredones, fundas y tapetes pequeños, y artículos tales como grandes y gruesos similares.  |
| <b>Towels (Toallas)</b>  | Use para toallas O sábanas no se recomienda mezclar toallas y sábanas en la misma carga.  |
| <b>Casuals (Ropa de uso diario)</b>                                | Para artículos que no se arrugan, planchado permanente y delicados, así como artículos tejidos.   |
| <b>Active Wear (Ropa de Ejercicio)</b>                             | Prendas utilizadas para ejercicio físico activo y algunas prendas informales. Las telas incluyen acabados de tecnología nueva y fibras elásticas como el Spandex. También para vestimenta con etiqueta Easy Care (Cuidado Fácil) y Perma Press (Planchado Permanente): Para prendas y tejidos sin arrugas y planchado permanente. |
| <b>Sanitize (Desinfectar)</b>                                      | Reduce ciertos tipos de bacterias en un 99.6%, incluyendo: Staphylococcus aureus y Pseudomonas aeruginosa. El proceso antibacterial ocurre cuando se utiliza un alto nivel de calor durante una parte este ciclo de secado.   |
| <b>Quick Dry (Secado rápido)</b>                                   | Para cargas pequeñas que se necesitan cuando antes, como uniformes deportivos o escolares. También puede usarse si el ciclo anterior dejó húmedas algunas partes, como cuellos o cinturas.  |
| <b>Delicates (Prendas Delicadas)</b>                               | Para lencería y telas delicadas.  |
| <b>Dewrinkle (Estirar)</b>   | Para prendas libres de arrugas/cuidado sencillo y de planchado permanente.  |
| <b>Warm Up (Calentamiento)</b>                                     | Brinda 25 minutos de calentamiento de las ropas.  |
| <b>Air Fluff (Esponjado con aire)</b>                              | Proporciona 30 minutos de giro del tambor sin calor.  |
| <b>Rack Dry (Secado en Estante)</b>                                | Para secar prendas delicadas sin giro, use el accesorio del estante de secado. Coloque de forma extendida sobre el estante de secado prendas tales como pulóveres de lana y telas delicadas. Seque con nivel de calor bajo.   |

## C

### Temp

### Temp (Temperatura)

Usted puede cambiar la temperatura de su ciclo de secado.

|                            |   |
|----------------------------|---|
| <b>High (Alto)</b>         | Para algodones normales a pesados.  |
| <b>Medium (Medio)</b>      | Para sintéticos, mezclas y prendas marcadas como planchado permanente.  |
| <b>Low (Bajo)</b>          | Para delicados, sintéticos y prendas marcadas como Tumble Dry Low (secado bajo en secadora).  |
| <b>No Heat (Sin Calor)</b> | Esta opción sólo puede ser usada con <b>Air Fluff (Secado por Aire)</b> y <b>Timed Dry (Secado temporizado propio)</b> , donde las prendas dan vueltas sin calor. |

# Puesta en Marcha

**D** **Level (Nivel)**  
 Level  
 El sensor continuamente monitorea la cantidad de humedad de la carga. Cuando la humedad de sus ropas alcanza su nivel de secado seleccionado, la secadora se detendrá.  
**NOTA:** El nivel de secado del sensor podrá ser usado en todos los ciclos, excepto con **Timed Dry** (Secado temporizado propio), **Air Fluff** (Esponjado con aire), **Rack Dry** (Secado en Estante), **Warm Up** (Calentamiento) and **Dewrinkle** (Estirar).

|                           |   |
|---------------------------|---|
| <b>Extra Dry (Secado)</b> | Para telas muy resistentes o prendas que deben estar muy secas, como las toallas.   |
| <b>Dry (Seco)</b>         | Úselo para un nivel de secado normal adecuado para la mayoría de las cargas. Este es el ciclo preferido para ahorrar energía. |
| <b>Damp (Húmedo)</b>      | Para dejar las prendas parcialmente húmedas.  |

**E** **Damp Alert (Alerta de humedad)**  
 Damp Alert  
 Esta opción hace que la secadora emita un pitido cuando las prendas se han secado hasta un nivel húmedo. Retire las prendas que quiere colgar. **Damp Alert** (Alerta de humedad) sólo sonará cuando se selecciona esta opción, y la secadora continuará de secar. Quitar algunas prendas y colgarlas cuando están húmedas puede reducir la necesidad de plancharlas.

**F** **Timed Dry (Secado temporizado propio)**  
 Timed Dry  
 1. Presione el botón de **Timed Dry** (Secado Programado). Las luces alrededor de la perilla parpadearán. Seleccione el tiempo de secado girando la perilla para aumentar o disminuir el tiempo en incrementos de 10 minutos hasta 2 horas y 30 minutos.  
 2. Seleccione la **Temp** de secado.  
 3. Cierre la puerta.  
 4. Presione **Start/Pause** (Iniciar/Pausa).

**G** **eDry (en algunos modelos)**  
 eDry  
 Reduce el consumo total de energía de ciclos específicos de la secadora mediante el ajuste de ciertas configuraciones de calor.  
**NOTA: Los tiempos de los ciclos cambiarán cuando se selecciona eDry.**  
 Los modelos **Energy Star®** se prueban en el ciclo **Cottons** (Algodones) con configuraciones predeterminadas para determinar la clasificación de la consumación de energía de esta secadora. La opción **eDry** se activará por defecto para **Cottons** (Algodones). Las configuraciones de temperatura en la opción High (Alto) y el ajuste de nivel de secado en Dry (Seco) están específicamente diseñados para que este ciclo reduzca el consumo de energía. Para un ahorro de energía óptimo, encienda **eDry**. Para tiempos de secado óptimos, apaga **eDry**. El ahorro de energía variará según las cargas y los ciclos.  
 La selección de **eDry** se puede utilizar con **Mixed Loads** (Carga mixta), **Cottons** (Algodones), **Heavy Duty** (Muy Resistentes), **Towels** (Toallas), **Casuals** (Ropa de uso diario), **Active Wear** (Ropa de Ejercicio) y **Delicates** (Prendas Delicadas).

**H** **My Cycle (Mi ciclo)**  
 My Cycle  
 Hold to Set  
 Ingrese su combinación favorita de configuraciones y guárdelas aquí para poder acceder a ellas con un toque. Estas configuraciones personales pueden ingresarse mientras un ciclo está en funcionamiento.  
**Para guardar una combinación de configuraciones My Cycle (Mi ciclo):**  
 1. Seleccione su ciclo de secado.  
 2. Cambie las configuraciones de **Temp** y **Level** para ajustarse a sus necesidades.  
 3. Seleccione cualquier opción de secado que desee en opciones.  
 4. Presione y sostenga el botón **My Cycle (Mi ciclo)** durante tres segundos para conservar su selección. Sonará un pitido y el botón se encenderá.  
**Para recordar su combinación conservada My Cycle (Mi ciclo):**  
 Presione el botón **My Cycle (Mi ciclo)** antes de secar una carga.  
**Para cambiar su combinación conservada My Cycle (Mi ciclo):** Repetir los pasos de 1–4.

**I** **Ext Tumble (Secado prolongado)**  
 Ext Tumble  
 Minimiza las arrugas agregando aproximadamente 2 horas de giro sin calor una vez que esté seca la ropa.  
 La pantalla de tiempo estimado restante mostrará "END" (Fin).  
 El tiempo de giro extendido no se agrega al tiempo del ciclo en la pantalla.

# Puesta en Marcha

**J**

Delay Dry

## Delay Dry (Secado retardado)

Utilícelo para retardar el inicio de su secadora.

1. Elija un ciclo de secado y cualquier otra opción.
2. Presione **Delay Dry** (Secado retardado). Usted puede cambiar el tiempo de inicio retardado en unidades de 1 hora utilizando el botón de **Delay Dry** (Secado retardado).
3. Presione **Start/Pause** (Inicio/Pausa) para iniciar la cuenta regresiva.

**NOTA:** Si la puerta se abre mientras la secadora se encuentra en **Delay Dry** (Secado retardado), la cuenta regresiva no volverá a iniciarse a menos que la puerta esté cerrada y el botón **Start/Pause** (Inicio/Pausa) se haya presionado de nuevo.

**K**

Start



Pause

## Start/Pause (Inicio/Pausa)

Pulse este botón para iniciar un ciclo. Si la secadora está en funcionamiento, al pulsarlo una vez, la secadora se detendrá y se desbloqueará la puerta. Esta función puede utilizarse para agregar prendas durante un ciclo. Vuelva a pulsar el botón para reiniciar el ciclo.

**NOTA:** Si la secadora está detenida y el ciclo no se reinicia en 15 minutos, se cancelará el ciclo actual.

**L**

Temp Level



## Lock (Bloquear)

Puede bloquear los controles para impedir que se realice cualquier selección. O bien puede bloquear los controles después de haber iniciado un ciclo.

Con esta opción seleccionada, los niños no podrán poner en marcha la secadora de manera fortuita aunque toquen el panel.

Para bloquear la secadora, presione y sostenga los botones **Temp** (Temperatura) et **Level** (Nivel) al mismo tiempo durante 3 segundos.

Para desbloquear los controles de la secadora, presione y sostenga los botones **Temp** (Temperatura) et **Level** (Nivel) al mismo tiempo durante 3 segundos. Se escuchará un sonido que indica la condición de bloqueado/desbloqueado.

El icono de bloqueo de los controles que aparece en la pantalla se encenderá cuando esté activado.

**NOTA:** El botón **Power** (Encendido/Apagado) puede seguir utilizándose cuando la lavadora está bloqueada.

**M**

Level Damp Alert



## Signal (Señal)

Cuando la luz está encendida, la secadora emitirá un pitido al final del ciclo y cada vez que se presione un botón del panel de control.

Para apagar la señal, mantenga presionados los botones **Level** (Nivel) y **Damp Alert** (Alerta de humedad) durante 3 segundos. Un sonido es realizado para indicar el estado de bloqueo/ desbloqueo.

**N**



## Pantalla y las Luces de Estado

La pantalla muestra el tiempo restante aproximado hasta el final del ciclo.

**Además, esta pantalla mostrará el estado de la secadora:**

|  |   |
|--|---|
| <b>Status (Estado)</b>                               | DRY ► DAMP ► COOL (SECO HÚMEDO FRÍO)  |
|  | Controles bloqueados.   |
|  | Señal activada de fin de ciclo.   |
| <b>Clean Filter (Filtro Limpio)</b>                  | Tiempo de limpiar el filtro. Lea la sección de <b>Cuidado y Limpieza</b> .  |
| <b>Empty Tank (Tanque Vacío)</b>                     | Tiempo de vaciar el tanque de agua. Lea la sección de <b>Cuidado y Limpieza</b> .   |
| <b>Temp (Temp.)</b>                                  | Muestra la configuración de temperatura <b>High</b> (Alta), <b>Medium</b> (Media), <b>Low</b> (Baja) o <b>No Heat</b> (Sin Calor) seleccionada. |
| <b>Level (Nivel)</b>                                 | Muestra la configuración de secado <b>Extra Dry</b> (Extra Seco), <b>Dry</b> (Seco) o <b>Damp</b> (Húmedo).                                     |
| <b>Damp Alert (Alerta de Humedad)</b>                | Indica que <b>Damp Alert</b> (Alerta de Humedad) fue configurado y sonará cuando la ropa se haya secado a un nivel de secado húmedo.            |
| <b>Timed (Por Tiempo)</b>                            | Indica que un ciclo de <b>Timed Dry</b> (Secado por Tiempo) fue configurado. Se apagará una vez finalizado el ciclo.                            |
| <b>Est Time Remaining (Tiempo Restante Estimado)</b> | La pantalla muestra el tiempo restante estimado, hasta que el ciclo de configuración sea completado.  |
| <b>My Cycle (Mi Ciclo)</b>                           | Indica que la función <b>My Cycle</b> (Mi Ciclo) fue configurada.   |
| <b>Ext Tumble (Giro Extendido)</b>                   | Indica que la función <b>Extended Tumble</b> (Giro Extendido) fue configurada.  |
|  | Indica que la función de tiempo <b>Delay Dry</b> (Secado con Retraso) fue seleccionada.   |

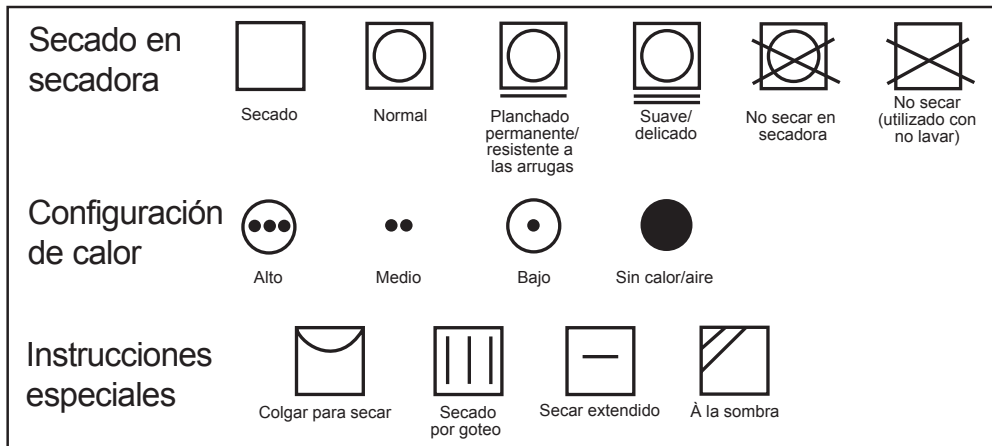
# Carga

Siempre siga las instrucciones del fabricante de la ropa cuando lave.

## Etiquetas sobre cuidado de las telas

A continuación incluimos los “símbolos” de las etiquetas sobre cuidado de las telas que podrían afectar a las ropas que está lavando.

### Etiquetas de secado



## Consejos de clasificación y carga

### ⚠ ADVERTENCIA - Riesgo de incendio

- Mantenga cualquier material y vapores inflamables, tales como gasolina, alejados de la secadora.
- **NO** seque nada que alguna vez haya tenido algo inflamable en éste (incluso luego de lavar).
- Ninguna lavadora puede eliminar el aceite por completo.
- **NO** seque nada que alguna vez haya tenido algún tipo de aceite (incluyendo aceites de cocina).
- Las prendas con gomaespuma, goma, o plástico deberán ser secadas en un tendedero.
- Si no se cumple con esto, se podrá producir muerte, explosión o incendio.

Como regla general, si las prendas están bien clasificadas para la lavadora, estarán bien clasificadas para la secadora. También trate de clasificar las prendas de acuerdo al tamaño. Por ejemplo, no seque una sábana con medias u otros elementos pequeños.

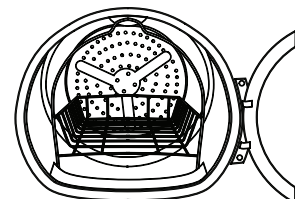
No agregue suavizante de telas una vez que la carga se ha calentado. Esto puede provocar manchas de suavizante. El acondicionador de telas Bounce® en hojas para secadoras ha sido aprobado para su uso en esta secadora cuando se utiliza de acuerdo con las instrucciones del fabricante.

**No la sobrecargue.** Eso malgasta energía y provoca arrugas.

## La rejilla de secado

La rejilla de secado se puede usar para secar artículos delicados tales como suéteres lavables. Coloque las prendas planas en la rejilla de secado y asegure prendas tales como suéteres y telas delicadas. Seque con calor bajo.

Para instalar el estante de secado, extienda el mismo en el tambor de la secadora y deje descansar las dos patas delanteras sobre el apoyo del ángulo frontal.



### NOTAS:

- La rejilla de secado se encuentra diseñada para utilizar con el ciclo **Timed Dry** (Secado cronometrado). El uso con ciclos por sensor pueden dejar las prendas húmedas o generar ciclos prolongados.
- No utilice esta rejilla de secado cuando haya otras prendas en la secadora que no se encuentren en la rejilla.
- La rejilla de secado, **WE01X26416**, está disponible como accesorio. Pida en línea en **GEApplianceparts.com**, 24 horas al día o por teléfono al **877.959.8688** durante las horas normales de trabajo.

# Cuidado y limpieza

## Interior

El interior del aparato debe ser limpiado una vez al año por un técnico calificado.

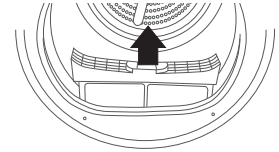
## Exterior

Pásele un trapo y elimine el polvo o cualquier derrame de productos de lavandería con un trapo húmedo. Los productos de tratamiento para quitar mugre y manchas podrían dañar el panel de control de la secadora y afectar su apariencia. Aplique estos productos a cierta distancia de la secadora. Luego las telas podrán lavarse y secarse normalmente. Los daños causados a la secadora por estos productos no están cubiertos bajo su garantía.

## El filtro de pelusa

Limpie el filtro de pelusa antes de cada uso.

Saque el filtro de pelusa. Humedezca sus dedos y quite la pelusa capturada. Una vez que se encuentre limpio, deslice el filtro nuevamente a su lugar. Pida a un técnico de servicio calificado que aspire la pelusa de la secadora una vez al año.



**NUNCA OPERE LA SECADORA SIN EL FILTRO EN SU LUGAR.**

## Acero inoxidable

Para limpiar superficies de acero inoxidable, utilice un paño húmedo con un limpiador suave y no abrasivo adecuado para superficies de acero inoxidable. Quite los restos de limpiador y luego seque con un paño limpio.

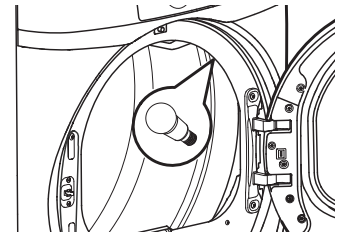
El acero inoxidable utilizado para fabricar el tambor de la secadora ofrece la mayor confiabilidad de una secadora GE Appliances. Si el tambor de la secadora se raya o abolla durante un uso normal, éste no se oxidará o corroerá. Estas imperfecciones de la superficie no afectan la función o durabilidad del tambor.

## La bombilla del tambor giratorio

**NOTA:** La lámpara del tambor no puede ser reemplazada por el consumidor en los modelos donde hay una cubierta en forma de plana sobre una bombilla LED. Si esta luz dejara de funcionar, comuníquese al servicio técnico.

**Para los modelos que tienen una cubierta en forma de cúpula sobre la bombilla, asegurada por un tornillo:**

Antes de reemplazar la bombilla, asegúrese de desconectar la secadora del tomacorriente o de desconectar la secadora del panel de distribución de su casa removiendo el fusible o interrumpiendo el circuito eléctrico. Alcance por encima de la abertura de la puerta de la secadora dentro del tambor para localizar la cubierta plana.



Quite el tornillo y la cubierta de plástico para acceder a la bombilla. Reemplace con la bombilla apropiada y luego coloque de nuevo la cubierta y el tornillo.

Ordene la lámpara de reemplazo **WE11X26351** a través de Internet en **GEApplianceparts.com**, en forma telefónica al **877.959.8688** durante el horario comercial normal, o adquiera la lámpara del electrodoméstico **7C7** a través de su vendedor minorista.

Cuando la puerta sea abierta, la lámpara del tambor se encenderá de forma automática y permanecerá encendida durante 2 minutos. Cuando la puerta sea cerrada, la lámpara del tambor permanecerá encendida durante 30 segundos.

### ⚠ ADVERTENCIA - Riesgo de Descarga Eléctrica

Desconecte el suministro de corriente antes de realizar el servicio técnico.

Reemplace todas las piezas y paneles antes de utilizar.

Si no cumple con esto, se podrá producir la muerte o descarga eléctrica.

### ⚠ ADVERTENCIA - Riesgo de Descarga Eléctrica

Ciertas piezas internas no tienen conexión a tierra en forma intencional y pueden presentar un riesgo de descarga eléctrica sólo durante la reparación.

**Personal de reparación – NO** toque las siguientes piezas cuando el aparato esté recibiendo energía: condensador de arranque del motor, soporte de metal del motor y eje de la rueda del tambor.

# Cuidado y limpieza

## Tanque de Agua

**RETIRE EL AGUA CONDENSADA DEL TANQUE LUEGO DE CADA CICLO DE SECADO. NOTA:** Si la manguera de drenaje es instalada, no será necesario vaciar el tanque de agua. Lea la sección de **CONEXIÓN DE LA MANGUERA DE DRENAJE** en las Instrucciones de Instalación de este manual.

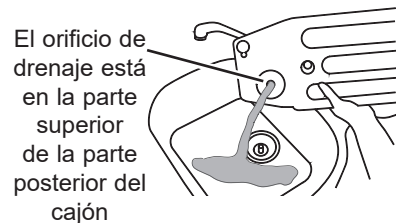
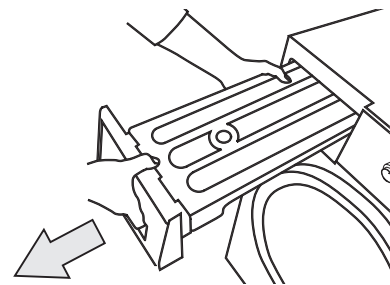
- Retire el tanque de agua.

Al retirar el tanque de Agua del producto, deberá sostenerlo con ambas manos ya que es pesado y deberá evitar derramar agua dentro del mismo

- Retire el agua condensada dentro del tanque de agua.

A fin de evitar desbordes, los cuales podrán conducir a goteos de agua fuera de la unidad, drene el agua restante en el tanque después de cada ciclo. El sobrellenado hará que el ciclo se detenga prematuramente hasta que se vacíe.

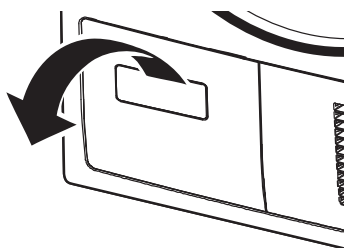
**NOTA:** Cuando la luz que indica que el **Empty Tank** (Tanque vacío) está lleno esté encendida, la secadora no funcionará hasta que el tanque se vacíe y la luz de advertencia esté apagada. Presione el botón **Start** (Iniciar) y la luz indicadora se apagará y la secadora reiniciará el ciclo.



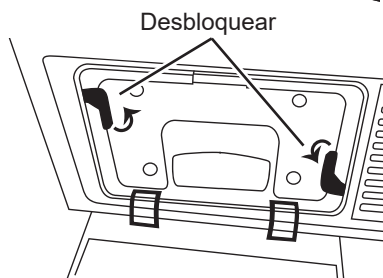
## Condensador

**EL CONDENSADOR SE DEBERÍA LIMPIAR UNA VEZ POR MES.**

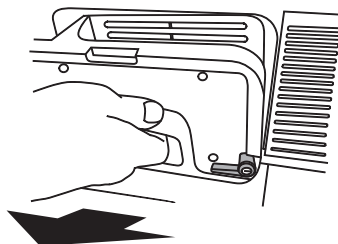
- Abra la tapa del compartimiento del condensador.



- Desbloquee ambas lengüetas de bloqueo.



- Retire la caja del condensador del compartimiento del condensador.



- Limpie a fondo la caja del condensador y el interior del compartimiento del condensador. Use agua del grifo para limpiar entre las ranuras en la caja del condensador haciendo correr el agua del grifo. Coloque su mano dentro del compartimiento del condensador y limpie cualquier resto. Asegúrese de que los sellos de goma del condensador estén libres de residuos antes de volver a instalarlos.

### NOTAS:

- Asegúrese de limpiar el condensador una vez por mes para evitar un menor rendimiento de la secadora.
- Al ensamblar el condensador luego de limpiar el mismo, asegúrese de que las lengüetas de bloqueo estén configuradas en la posición de bloqueo. **Nunca active la secadora sin haber instalado el condensador.**



# Instrucciones de instalación

# Lavadora

Si tiene alguna pregunta, llame GE Appliances a 800.GE.CARES (800.432.2737) o visite nuestro sitio Web en: [GEAppliances.com](http://GEAppliances.com)

## ANTES DE COMENZAR

Lea estas instrucciones por completo y con detenimiento.

- **IMPORTANTE** – Guarde estas instrucciones para el uso de inspectores eléctricos locales.
- **IMPORTANTE** – Cumpla con todos los códigos y ordenanzas vigentes.
- Instale la secadora de acuerdo con las instrucciones del fabricante y los códigos locales.
- **Nota al instalador** – Asegúrese de dejar estas instrucciones con el consumidor.
- **Nota al usuario** – Conserve estas instrucciones para referencia futura.
- La instalación de la secadora debe efectuarla un instalador calificado.
- Antes de que la secadora antigua sea retirada del servicio o eliminada, quítele la puerta.
- La información sobre reparaciones y el diagrama del cableado se encuentran en la consola de control.
- No permita que niños se suban o se metan dentro del artefacto. Se requiere una supervisión estricta cuando el aparato es utilizado cerca de niños.
- El instalador tiene la responsabilidad de efectuar una instalación adecuada.
- La garantía no cubre las fallas del producto debido a una instalación incorrecta.
- Instale la secadora en lugares donde la temperatura sea mayor a 50°F para un funcionamiento satisfactorio del sistema de control de la secadora.

### **⚠ ADVERTENCIA** - Riesgo de incendio

- **Riesgo de incendios** - La instalación de la secadora debe efectuarla un instalador calificado.
- Instale la secadora de ropa de acuerdo con estas instrucciones y en cumplimiento con los códigos locales.
- **NO** instale o almacene este aparato en un lugar donde se vea expuesto al agua o a las inclemencias del tiempo.
- Para reducir el riesgo de una lesión grave o de muerte, cumpla con todas las instrucciones de instalación.
- Guarde estas instrucciones. (Instaladores: Asegúrense de dejar estas instrucciones al consumidor).

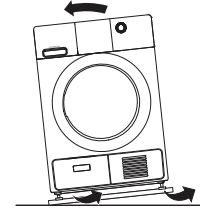
Si planea apilar la lavadora y secadora, solicite el kit de apilado número **GFA24KITL** para usar con esta secadora. El kit se vende por separado.

# Instrucciones de instalación

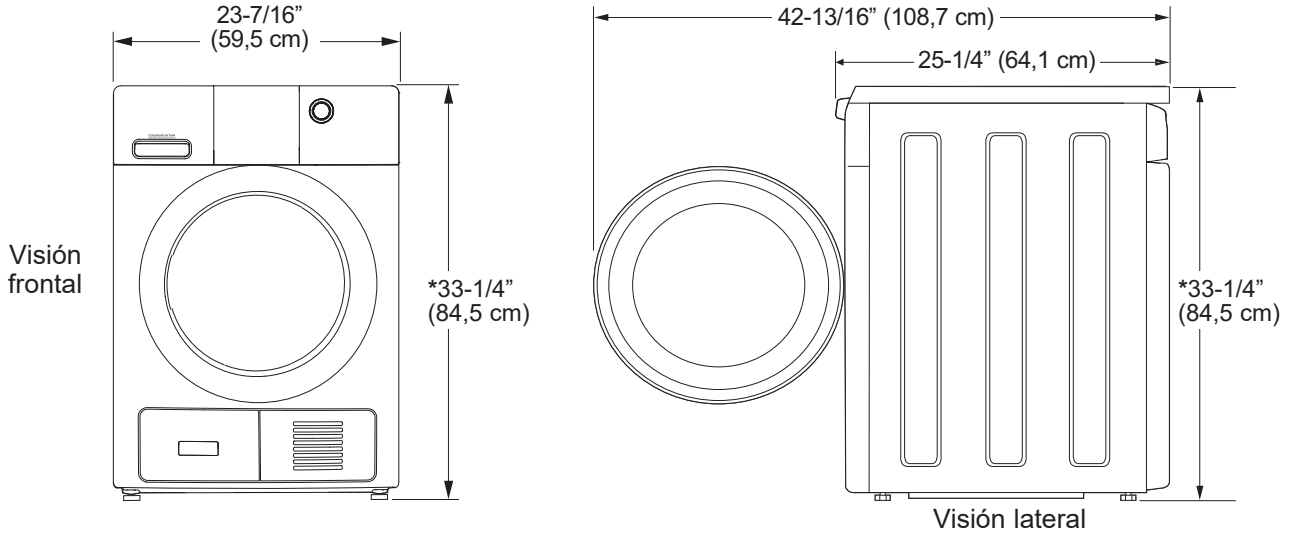
## CÓMO DESEMPACAR LA SECADORA

Incline la secadora de costado y saque los paños de espuma de embalaje tirand los costados y quitándolos de las patas de la secadora. Asegúrese de quitar tod: piezas de espuma de las patas.

Saque la bolsa que contiene la información.



## DIMENSIONES DE LA SECADORA



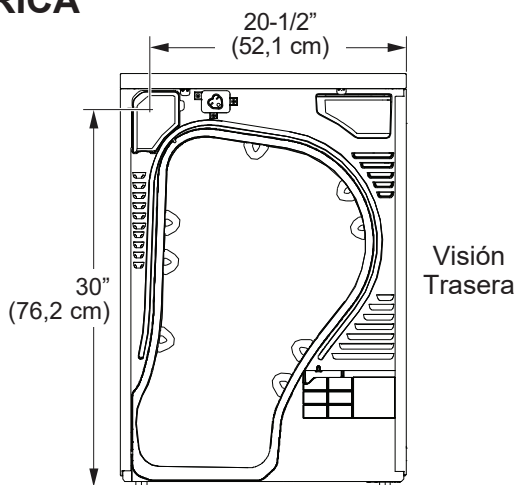
**\*NOTA:**

Con las patas niveladoras retraídas: 33-1/4 (84.5 cm)

Con las patas niveladoras completamente extendidas: 33-5/8 (85.4 cm)

Apilada: 66-1/2" (168.9 cm)

## DIMENSIONES DE LA CONEXIÓN ELÉCTRICA



## CABLES DE CORRIENTE

GE Appliances recomienda enfáticamente el uso de piezas específicas de fábrica. Seleccione el cable de corriente que se adecúe a sus requisitos de instalación.

| No. de parte | Tipo       | Longitud | Amperios |
|--------------|------------|----------|----------|
| WX9X2        | 3-Clavijas | 4 Pies   | 30       |
| WX9X3        | 3-Clavijas | 5 Pies   | 30       |
| WX9X4        | 3-Clavijas | 6 Pies   | 30       |
| WX9X18       | 4-Clavijas | 4 Pies   | 30       |
| WX9X19       | 4-Clavijas | 5 Pies   | 30       |
| WX9X20       | 4-Clavijas | 6 Pies   | 30       |

Solicítelos on-line hoy mismo a [GEApplianceparts.com](http://GEApplianceparts.com), las 24 horas del día o por teléfono al **877.959.8688** en horario normal de trabajo.

# Instrucciones de instalación

## REQUERIMIENTOS PARA INSTALACIÓN EN NICHOS O ARMARIOS

### **⚠ ADVERTENCIA** - Riesgo de explosión

Mantenga cualquier material y vapores inflamables, tales como gasolina, alejados de la secadora.

Coloque la secadora a por lo menos 18" (46 cm.) del piso cuando sea instalada en un garaje.

Si no se cumple con esto, se podrá producir una explosión, incendio o la muerte.

- El espacio libre mínimo entre el armario de la secadora y las paredes adyacentes u otras superficies es:
  - 0" sobre ambos lados
  - 1" sobre el frente y la parte trasera
  - 1" superior
- La parte posterior de la secadora debe mirar hacia una pared.
- Se deberá considerar que se debe brindar el despeje adecuado para la instalación y el servicio técnico.
- Las puertas del armario deben contar con rejillas u otro tipo de ventilación y tener por lo menos 60 pulgadas cuadradas de espacio abierto. Si el armario incluye una lavadora y una secadora, las puertas deben contener un mínimo de 120 pulgadas cuadradas de espacio abierto.

## ESPACIO LIBRE MÍNIMO EN OTROS ESPACIOS QUE NO SEAN INSTALACIONES EN NICHOS O ARMARIOS

Los espacios libres mínimos respecto de superficies combustibles y de aberturas de aire son: 0" a ambos lados, 1" en la parte trasera y 1" superior.

La parte posterior de la secadora debe mirar hacia una pared.

Debe tenerse en cuenta un espacio libre adecuado para un funcionamiento y reparación correctos.

## INSTALACIÓN EN CASAS MÓVILES O PREFABRICADAS

- Instalación DEBE cumplir con la NORMA SOBRE CONSTRUCCIÓN Y SEGURIDAD DE CASAS PREFABRICADAS, TÍTULO 24, PARTE 3280 o NORMA PARA CASAS RODANTES CAN/CSA-Z240 MH, o, cuando dicha norma no sea aplicable, con la NORMA NACIONAL ESTADOUNIDENSE PARA CASAS MÓVILES, ANSI/NFPA N° 501B.
- Debe contar con una abertura con un espacio libre de por lo menos 25 pulgadas cuadradas para el ingreso de aire exterior dentro de la secadora habitación.
- Para acceder a información sobre la conexión eléctrica, consulte la sección.

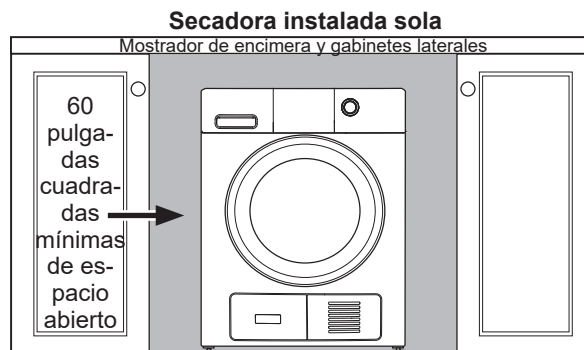
## INSTALACIÓN EN BAÑOS O DORMITORIOS

La instalación debe cumplir con los códigos locales o, si no los hubiera, con el CÓDIGO NACIONAL ELÉCTRICO, ANSI/NFPA NC. 70 (para secadoras eléctricas).

## INSTALACIÓN BAJO EL MOSTRADOR DE ENCIMERA

Si desea una instalación bajo mostrador de encimera:

- No se necesita un kit especial de instalación de secadoras.
- Si la secadora se instala sola, se necesita un mínimo de 60 pulgadas cuadradas de espacio abierto. Si la lavadora y la secadora se instalan juntas, se necesita un mínimo de 120 pulgadas cuadradas de espacio abierto.



# Instrucciones de instalación

## CÓMO CONECTAR UNA SECADORA ELECTRICA

### HERRAMIENTAS NECESARIAS

- Pinzas



- Destornillador de lados planos



- Destornillador Phillips



- Nivel



### MATERIALES NECESARIOS

- Gafas de seguridad



- Guantes



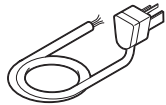
- Alivio de tensión de 3/4" (reconocido por UL)



- Kit de cable de energía de la secadora (no incluido con la secadora)

Clasificado UL, de 120/240V, 30A con 3 o 4 patas.

Identifique el tipo de enchufe según el tomacorriente de la vivienda antes de comprar el cable.



Si realiza la instalación sobre una base apilable podrá necesitar un cable de hasta 6 pies de longitud.

Antes de efectuar la conexión eléctrica, desactive los disyuntores o quite los fusibles del circuito de la secadora de la caja eléctrica. Verifique que el cable de la secadora esté desenchufado del tomacorriente. **NUNCA OLVIDE DE VOLVER A COLOCAR LA TAPA DE ACCESO DEL BLOQUE TERMINAL.**



### ⚠ ADVERTENCIA - Riesgo de Descarga Eléctrica

Desconecte el suministro de corriente antes de realizar el servicio técnico.

Reemplace todas las piezas y paneles antes de utilizar. Si no cumple con esto, se podrá producir la muerte o descarga eléctrica.

### ⚠ ADVERTENCIA - Riesgo de Descarga Eléctrica

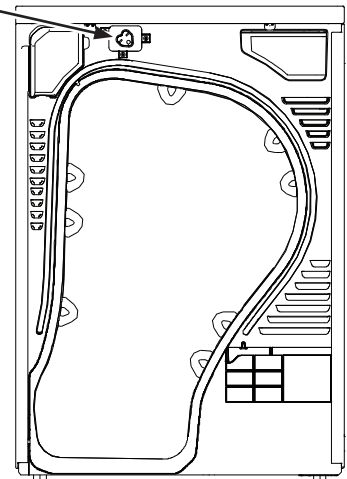
Ciertas piezas internas no tienen conexión a tierra en forma intencional y pueden presentar un riesgo de descarga eléctrica sólo durante la reparación.

**Personal de reparación – NO** toque las siguientes piezas cuando el aparato esté recibiendo energía: condensador de arranque del motor, soporte de metal del motor y eje de la rueda del tambor.

## RECEPTÁCULO PARA LA CONEXIÓN DE LAVADORAS ESPECIFICADAS

Receptáculo

No es un receptáculo de uso general: solo para uso con las lavadoras GFW148, QFW150 o GFQ14.



# Instrucciones de instalación

## CONEXIÓN ELÉCTRICA INFORMACIÓN SOBRE LAS SECADORAS ELÉCTRICAS

Para realizar conexiones eléctricas con un cable de corriente:

### **ADVERTENCIA** - Riesgo de incendio

Use un cable de suministro de corriente de la secadora de 30 amperes y 240V de la lista de UL, con terminales de anillo cerradas o terminales de espada con extremos al revés. Use un amortiguador con refuerzo de la lista de UL. Desconecte la corriente antes de realizar conexiones eléctricas.

Conecte el cable neutro (el blanco o el cable central) a la terminal central.

El cable a tierra (verde o pelado) se deberá conectar al conector a tierra verde.

Conecte los dos cables de suministro restantes a las dos terminales restantes.


De forma segura ajuste todas las conexiones eléctricas.

Reemplace la tapa del bloque terminal.

Si no cumple con esto, se podrá producir la muerte, incendio o descarga eléctrica.

## INSTRUCCIONES DE CONEXIÓN A TIERRA

**Para una secadora conectada con cable con conexión a tierra:** Esta secadora deberá estar conectado a tierra. En caso de mal funcionamiento o avería, la conexión a tierra reducirá el riesgo de descargas eléctricas al brindar un camino con una resistencia menor para la corriente eléctrica. Esta secadora está equipada con un cable con un conductor para la conexión a tierra del equipo y un enchufe con conexión a tierra. El enchufe deberá estar conectado a un tomacorriente instalado en forma adecuada y con conexión a tierra de acuerdo con todos los códigos y ordenanzas locales.

 **ADVERTENCIA** Una conexión inapropiada del conductor de conexión a tierra del equipo puede provocar riesgos de descargas eléctricas. Consulte a un electricista calificado o personal o representantes del servicio técnico si tiene dudas de que el electrodoméstico se encuentre conectado a tierra apropiadamente. **NO** modifique el enchufe en el cable de suministro de corriente. Si no coincide con la toma de corriente, contrate a un electricista calificado para que instale una toma de corriente en forma adecuada.

**GUARDE ESTAS INSTRUCCIONES**

### **ADVERTENCIA** - Riesgo de Descarga Eléctrica

PARA EVITAR DESCARGAS ELÉCTRICAS, DESCONECTE LA ALIMENTACION ELÉCTRICA ANTES DE REALIZAR EL SERVICIO.

Esta secadora debe conectarse a un circuito derivado individual con un cable de cobre de calibre mínimo 10 a través de un fusible de 30 amperios o un interruptor de circuito. **NUNCA** meter un fusible en el cable neutro. Use solo conductores de cobre.

## CONEXIÓN ELÉCTRICA INFORMACIÓN SOBRE LAS SECADORAS ELÉCTRICAS

Para conexiones directas de cables:

### **ADVERTENCIA** - Riesgo de incendio

Use un cable de cobre con calibre de 10

Use un amortiguador con refuerzo de la lista de UL.

Desconecte la corriente antes de realizar conexiones eléctricas.

Conecte el cable neutro (el blanco o el cable central) a la terminal central.

El cable a tierra (verde o pelado) se deberá conectar al conector a tierra verde.

Conecte los dos cables de suministro restantes a las dos terminales restantes.

De forma segura ajuste todas las conexiones eléctricas.

Reemplace la tapa del bloque terminal.

Si no cumple con esto, se podrá producir la muerte, incendio o descarga eléctrica.

## INSTRUCCIONES DE CONEXIÓN A TIERRA

**Para una secadora conectada de forma**

**permanente:** Esta secadora debe estar conectada a un sistema de cableado de metal permanente con conexión a tierra o se debe tender un conductor para la conexión a tierra del equipo con los conductores del circuito y ser conectado al terminal de tierra del electrodoméstico.

 **ADVERTENCIA** Una conexión inapropiada del conducto de conexión a tierra del equipo puede provocar riesgos de descargas eléctricas. Consulte a un electricista calificado o personal o representantes del servicio técnico si tiene dudas de que el electrodoméstico se encuentre conectado a tierra apropiadamente.

**GUARDE ESTAS INSTRUCCIONES**

### **ADVERTENCIA** - Riesgo de Descarga Eléctrica

PARA EVITAR DESCARGAS ELÉCTRICAS, DESCONECTE LA ALIMENTACION ELÉCTRICA ANTES DE REALIZAR EL SERVICIO.

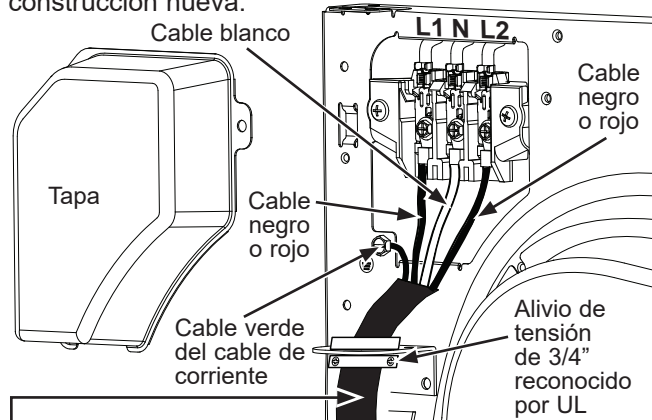
Esta secadora debe conectarse a un circuito derivado individual con un cable de cobre de calibre mínimo 10 a través de un fusible de 30 amperios o un interruptor de circuito. **NUNCA** meter un fusible en el cable neutro. Use solo conductores de cobre.

# Instrucciones de instalación

## CÓMO CONECTAR LA SECADORA USANDO UNA CONEXIÓN DE 4 CABLES (DEBE UTILIZARSE EN INSTALACIONES DE CASAS RODANTES)

**NOTA:** Desde el 1 de enero de 1996, el Código Eléctrico Nacional exige que las nuevas construcciones utilicen una conexión de 4 cables a una secadora eléctrica. También debe usarse un cable de 4 alambres cuando los códigos locales no permiten una conexión a tierra a través de cable neutral.

NO debe usarse una conexión de tres cables en una construcción nueva.



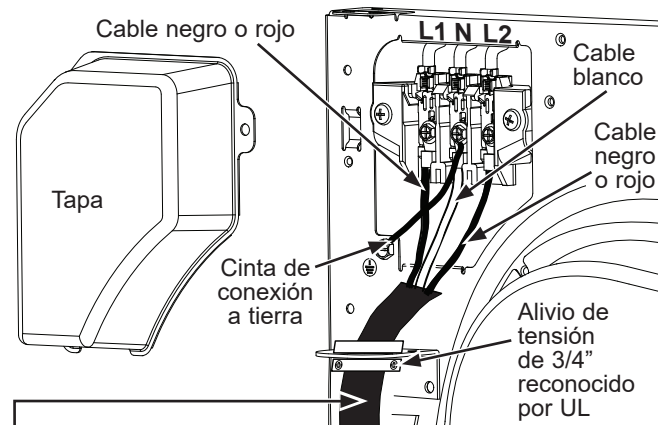
4 conductores de cobre #10 AWG mínimo o kit de cable de suministro de energía de 120/240V 30A marcado para su uso con secadoras y provisto con terminales de bucle cerrado o hembra con extremos hacia arriba (no provistos).

1. Desactive el disyuntor (30 amperios) o quite el fusible del circuito de la secadora de la caja eléctrica.
2. Verifique que el cable de la secadora esté desenchufado del tomacorriente.
3. Quite la tapa del cable de energía ubicada en la parte trasera superior.
4. Retire el tornillo a tierra verde y guarde el mismo para su uso en el paso 7. Retire el tornillo central (con la marca N) en el bloque terminal. Retire y descarte la cinta de conexión a tierra.
5. Instale un alivio de tensión de 3/4 pulgadas reconocido por UL en el orificio de entrada del cable de energía. Pase el cable de energía a través del alivio de tensión.
6. Conecte el cable de energía de la siguiente manera:
  - A. Conecte los dos cables vivos a los tornillos externos del bloque terminal (marcado L1 y L2).
  - B. Conecte el cable neutral (blanco) al centro del bloque terminal (marcado N).
7. Conecte el cable a tierra del cable de energía con el tornillo verde de conexión a tierra (orificio sobre el soporte de alivio de tensión). Ajuste por firmemente todos los tornillos (3) del bloque terminal.
8. Ajuste bien el cable de energía al alivio de tensión.
9. Vuelva a instalar la tapa.

**NUNCA OLVIDE DE VOLVER A COLOCAR LA TAPA DEL BLOQUE TERMINAL.**

## CÓMO CONECTAR LA SECADORA USANDO UNA CONEXIÓN DE 3 CABLES

Si así lo requirieran los códigos locales, instale una conexión a tierra externa (no provista) a metal con conexión a tierra, tuberías de agua fría con conexión a tierra u otra conexión a tierra establecida por un electricista calificado.



3 conductores de cobre #10 AWG mínimo o kit de cable de suministro de energía de 120/240V 30A marcado para su uso con secadoras y provisto con terminales de bucle cerrado o hembra con extremos hacia arriba (no provistos).

### Conexión de 3 cables

NO usar en Canadá.

NO usar en instalaciones en casas móviles.

NO usar en casas nuevas.

NO usar en vehículos recreativos.

NO usar en áreas donde los códigos locales prohíben la conexión eléctrica a tierra por el medio del cable neutral.

1. Desactive el disyuntor (30 amperios) o quite el fusible del circuito de la secadora de la caja eléctrica.
2. Verifique que el cable de la secadora esté desenchufado del tomacorriente.
3. Quite la tapa del cable de energía ubicada en la parte trasera superior.
4. Instale un alivio de tensión de 3/4 pulgadas reconocido por UL en el orificio de entrada del cable de energía. Pase el cable de energía a través del alivio de tensión.
5. Conecte el cable de energía de la siguiente manera:
  - A. Conecte los dos cables vivos a los tornillos externos del bloque terminal (marcado L1 y L2).
  - B. Conecte el cable neutral (blanco) al centro del bloque terminal (marcado N).
6. Asegúrese de que la cinta de conexión al tornillo verde de conexión a tierra de la parte trasera del gabinete. Ajuste por firmemente todos los tornillos (3) del bloque terminal.
7. Ajuste bien el cable de energía al alivio de tensión.
8. Vuelva a instalar la tapa.

**NUNCA OLVIDE DE VOLVER A COLOCAR LA TAPA DEL BLOQUE TERMINAL.**

# Instrucciones de instalación

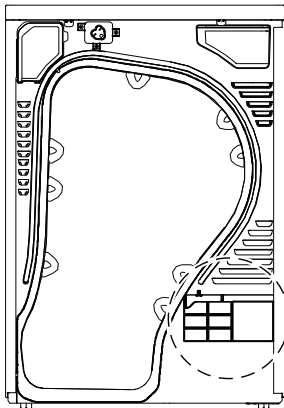
## CONEXIÓN DE LA MANGUERA DE DRENAJE

### DRENAJE DEL AGUA SIN USAR EL TANQUE DE AGUA

Puede usar la secadora sin usar el tanque de agua, siguiendo los siguientes procedimientos.

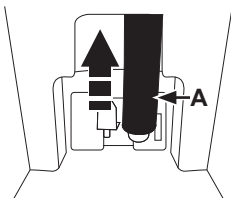
### CONEXIÓN DE LA MANGUERA DE DRENAJE

La secadora puede bombear el agua condensada fuera de la SECADORA, directamente por la manguera de drenaje provista. Los procedimientos para conectar la manguera de drenaje son los siguientes.

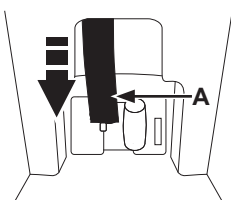


Visión Trasera

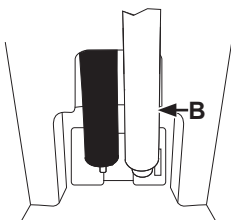
1. Desconecte la manguera de drenaje **A**.



2. Conecte la manguera de drenaje **A** al otro agujero.



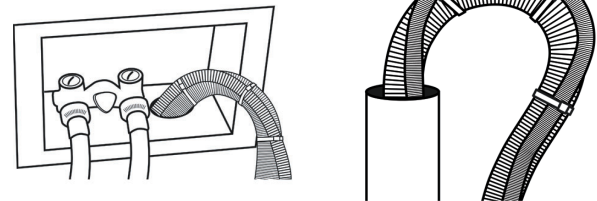
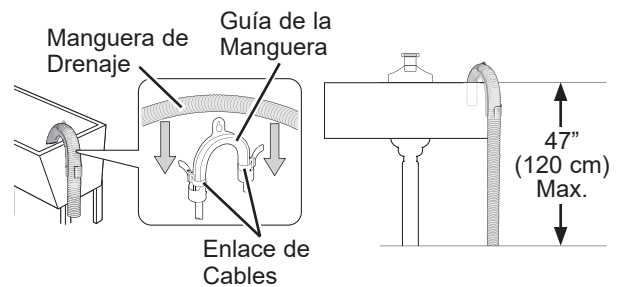
3. Conecte la manguera complementaria **B** (manguera de drenaje larga) en forma adyacente a la manguera **A**.



- Al conectar la manguera **B**, tenga cuidado de que la altura de la misma no supere los 47" (120 cm).
- Luego de conectar la manguera de drenaje, puede drenar directamente el agua condensada a un tubo vertical o lavabo.

### CONEXIÓN DE LA MANGUERA DE DRENAJE (CONT.)

4. Sobre el extremo del lavatorio: La manguera debe ser ubicada a una altura inferior a los 47" (120 cm) y más de 30" (76 cm). Para mantener el chorro de la manguera de drenaje inclinado, use la guía para mangueras de plástico suministrada. Asegure la guía sobre la pared con un gancho o al grifo con un trozo de cuerda, a fin de evitar que la manguera de drenaje se mueva.
5. Ensamble la manguera de drenaje y la guía de la manguera con la presilla del cable.



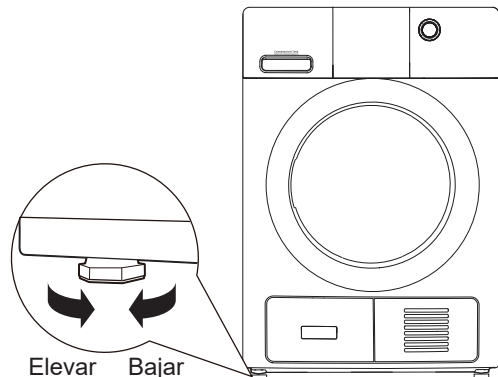
No presione la manguera de drenaje por la tubería vertical más de 4 po (10 cm). Empujar más la manguera de drenaje por la tubería vertical podrá causar goteos.

# Instrucciones de instalación

## CONFIGURACIÓN FINAL

### 1 NIVELE LA SECADORA

Coloque la secadora en posición vertical cerca de la ubicación definitiva y ajuste las cuatro patas niveladoras para garantizar que la secadora se encuentre nivelada de lado a lado y del frente a la parte trasera.



### 3 INICIO DE LA SECADORA

Presione el botón **Power** (Encendido).

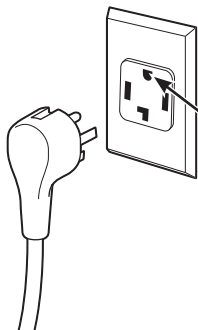
Power



**NOTA:** Si la secadora ha sido expuesta a temperaturas bajo cero por un período prolongado, deje que suba la temperatura antes de presionar **Power**. De otra manera, la pantalla no se encenderá. Su secadora ya está lista para usar.

### 2 ENCHUFE LA SECADORA

**NOTA:** Las instalaciones apiladas podrán requerir un cable de corriente de hasta 6 pies de longitud.



Verifique que haya una conexión a tierra adecuada antes del uso.



# Instrucciones de instalación

## CÓMO APILAR LA LAVADORA Y LA SECADORA (si así lo desea)

Si planea apilar la lavadora y secadora, solicite el kit de apilado número **GFA24KITL** para usar con esta secadora. El kit se vende por separado.

### ANTES DE COMENZAR

Lea estas instrucciones por completo y con detenimiento.

- **IMPORTANTE** – Guarde estas instrucciones para el uso de inspectores eléctricos locales.
- **IMPORTANTE** – Cumpla con todos los códigos y ordenanzas vigentes.
- **Nota al instalador** – Asegúrese de dejar estas instrucciones con el consumidor.
- **Nota al usuario** – Conserve estas instrucciones para referencia futura.
- La instalación **debe** efectuarla un instalador calificado.
- El instalador tiene la responsabilidad de efectuar una instalación adecuada.

### KIT DE APILADO GE APPLIANCES:

Ordene hoy a través de Internet en **GEAppliancesparts.com**, las 24 horas del día o en forma telefónica llamando al **800.626.2002**, durante el horario comercial habitual.

Número de Pieza **Accesorio**

**GFA24KITL** Kit Completo de Apilado

### REQUERIMIENTOS INSTALACIÓN EN NICHOS O ARMARIOS

#### **⚠ ADVERTENCIA** - Riesgo de explosión

Mantenga cualquier material y vapores inflamables, tales como gasolina, alejados de la secadora.

Coloque la secadora a por lo menos 18" (46 cm.) del piso cuando sea instalada en un garaje.

Si no se cumple con esto, se podrá producir una explosión, incendio o la muerte.

- El espacio libre mínimo entre el armario de la secadora y las paredes adyacentes u otras superficies es:
  - 0" sobre ambos lados
  - 1" sobre el frente y la parte trasera
  - 1" superior
- La parte posterior de la secadora debe mirar hacia una pared.
- Se deberá considerar que se debe brindar el despeje adecuado para la instalación y el servicio técnico.
- Las puertas del armario deben contar con rejillas u otro tipo de ventilación y tener por lo menos 60 pulgadas cuadradas de espacio abierto. Si el armario incluye una lavadora y una secadora, las puertas deben contener un mínimo de 120 pulgadas cuadradas de espacio abierto.

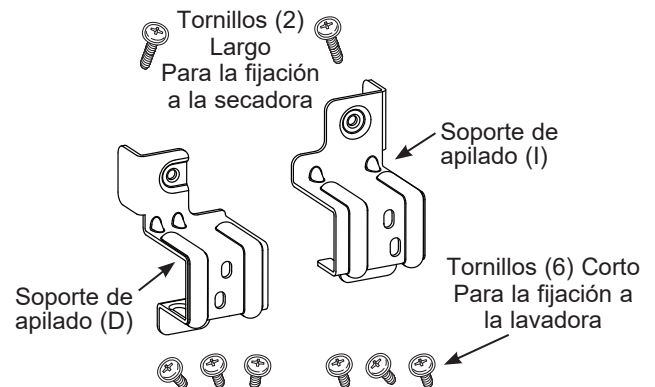
### ESPACIO LIBRE MÍNIMO EN OTROS ESPACIOS QUE NO SEAN INSTALACIONES EN NICHOS O ARMARIOS

Los espacios libres mínimos respecto de superficies combustibles y de aberturas de aire son: 0" a ambos lados, 1" en la parte trasera y 1" superior.

La parte posterior de la secadora debe mirar hacia una pared.

Debe tenerse en cuenta un espacio libre adecuado para un funcionamiento y reparación correctos.

### CONTENIDO DEL KIT (KIT DE GE APPLIANCES # GFA24KITL)



### HERRAMIENTAS NECESARIAS

☐ Destornillador Phillips



☐ Guantes



☐ Nivel



### PREPARACIÓN PARA LA INSTALACIÓN

Quite el envoltorio.

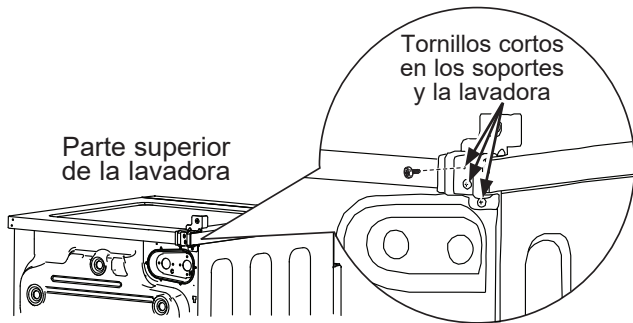
Aplaste el cartón del producto para poder utilizarlo para colocar la secadora de costado. Siga usando el cartón para proteger el piso frente al lugar de instalación.

# Instrucciones de instalación

## CÓMO INSTALAR EL KIT DE SOPORTE DE APILADO

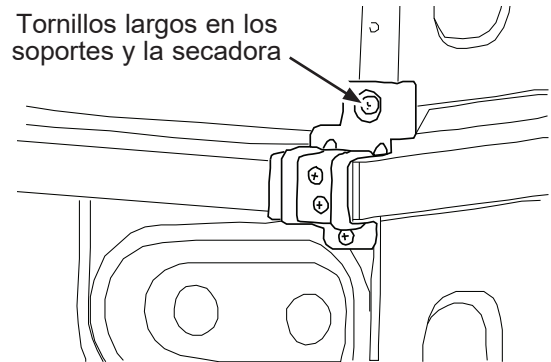
### 1 CÓMO INSTALAR EL SOPORTE EN LA LAVADORA

- A. Quite el tornillo de la tapa superior de la lavadora de la parte trasera izquierda. Alinee los orificios del soporte izquierdo con el orificio de tornillo de la tapa superior de la parte trasera izquierda de la unidad y coloque el tornillo. **NOTA:** Deje los tornillos flojos para facilitar la alineación del orificio de la secadora.
- B. Introduzca el tornillo siguiente a través del soporte dentro de la parte trasera de la lavadora.
- C. Repita los pasos anteriores en el lado derecho.



### 2 CÓMO INSTALAR LA SECADORA Y EL SOPORTE EN LA SECADORA (CONT.)

- B. Alinee los orificios del soporte con los orificios de la parte trasera de la secadora. Con un destornillador de estrella, sujete los 2 tornillos auto-roscantes #8 x 1/2".
- C. Ajuste los tornillos del soporte de la secadora; luego ajuste todos los tornillos del kit de apilado.



### 2 CÓMO INSTALAR LA SECADORA Y EL SOPORTE EN LA SECADORA

**⚠ ADVERTENCIA** Desconecte la energía antes de instalar. No hacerlo puede provocar una lesión personal grave o la muerte.

**⚠ ADVERTENCIA**  - **Riesgo de peso excesivo**

Si esto no se cumple, se podrán producir lesiones en la espalda u otras heridas o daños a la propiedad.

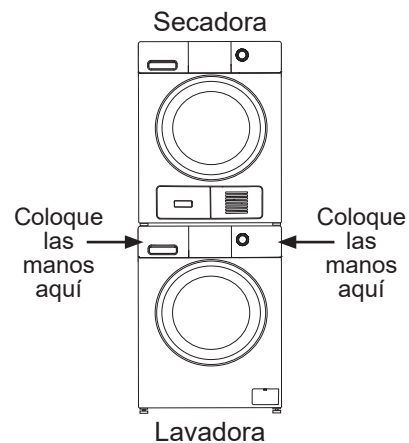
- Se deberá contar con dos o más personas para instalar la secadora.
- Evite la inclinación y ruptura de los servicios públicos.
- La secadora debe estar bien sujeta a la lavadora.
- **NO** coloque la lavadora sobre la secadora.

- A. Levante la secadora sobre la lavadora. Proteja el panel de control de la lavadora con cartón u otra protección. Asegúrese de levantar la secadora lo suficiente para liberar el panel de control de la lavadora.

### 3 FINALICE LA INSTALACIÓN

**⚠ PRECAUCIÓN** No empuje la secadora una vez que se haya instalado sobre la lavadora. Si empuja la secadora puede pellizcarse los dedos.

- A. Consulte las Instrucciones de instalación de la lavadora para completar la instalación de la lavadora.
- B. Consulte las Instrucciones de instalación de la secadora para completar la instalación de la secadora.
- C. Con cuidado deslice o desplace la lavadora y secadora apiladas a su lugar. Utilice almohadillas u otro dispositivo para ayudar a deslizar los artefactos y para proteger el piso.



# Instrucciones de instalación

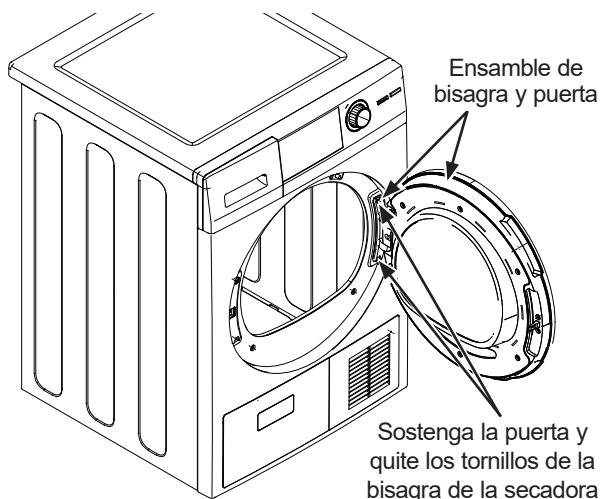
## CÓMO INVERTIR LA APERTURA DE LA PUERTA (Opcional)

### NOTAS IMPORTANTES

- Antes de comenzar, desenchufe la secadora del tomacorriente.
- Manipule las piezas con cuidado para no rayar la pintura.
- Coloque las puertas sobre una superficie de trabajo que no raye.
- Herramientas necesarias: Destornillador Phillips.
- Una vez que haya comenzado, no mueva el gabinete hasta haber finalizado la inversión de la apertura de la puerta.
- Estas instrucciones son para cambiar las bisagras del lado derecho al lado izquierdo; si alguna vez desea cambiarlas de nuevo al lado derecho, siga las mismas instrucciones e invierta todas las referencias de izquierda a derecha.

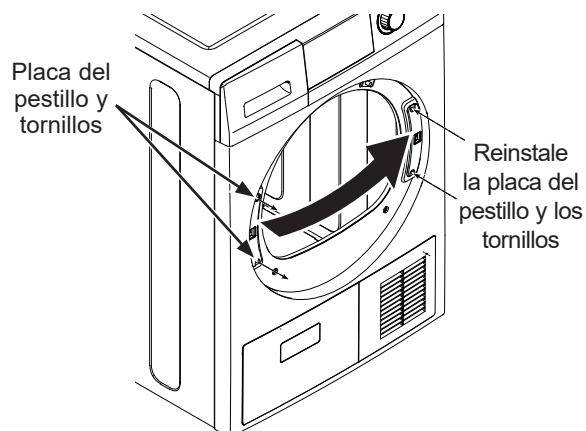
### 1 RETIRE EL ENSAMBLE DE LA PUERTA

- Abra la puerta. Retire los dos tornillos que sujetan el ensamble de bisagra / puerta a la secadora. Con cuidado, aparte el conjunto de bisagra / puerta.



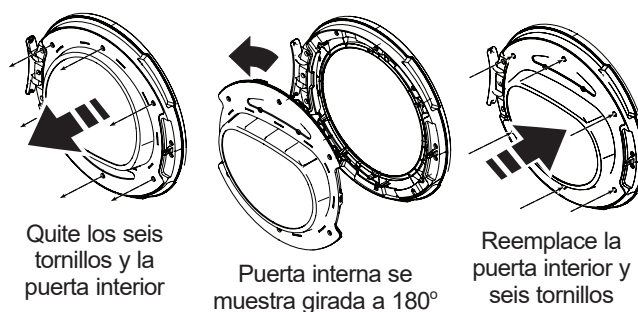
### 2 quite, gire y reemplace la placa del pestillo

- Retire los dos tornillos que sujetan la placa del pestillo. Gírelo e instálelo en el lado opuesto.



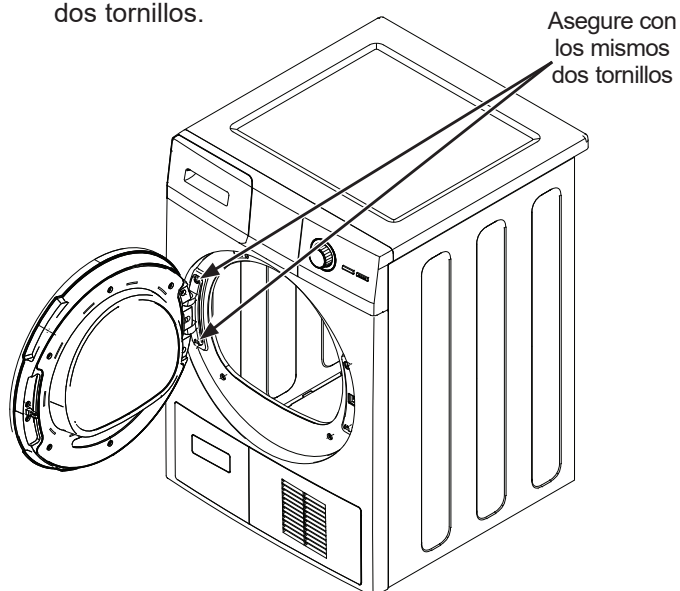
### 3 quite, gire y reemplace la puerta interior

- Retire los seis tornillos que aseguran la puerta interior a la puerta exterior. Retire la puerta interior, gírela 180° y vuelva a instalarla en la puerta exterior utilizando los mismos seis tornillos.



### 4 GIRE Y REEMPLACE EL ENSAMBLAJE DE BISAGRA / PUERTA

- Gire y vuelva a colocar el ensamble de bisagra / puerta, en el lado opuesto, utilizando los mismos dos tornillos.



## Consejos para la solución de problemas

| Problema   | Causas posibles  | Solución   |
|--|--|--|
| La secadora se mueve o hace ruido  | El movimiento/ruido es normal. La secadora puede estar colocada en un lugar desnivelado  | Desplace la secadora a un lugar nivelado, o ajuste las patas niveladoras según sea necesario.  |
| Las prendas tardan mucho en secarse  | Clasificación inadecuada   | Separe prendas pesadas de livianas (generalmente, una carga bien clasificada para la lavadora es una carga bien clasificada para la secadora).   |
|  | Cargas grandes de telas pesadas (como toallas de playa)  | Separe prendas pesadas de livianas (generalmente, una carga bien clasificada para la lavadora es una carga bien clasificada para la secadora).   |
|  | Secadora sin ventilación   | Las secadoras de condensación normalmente tardan más en secar que las secadoras con ventilación.   |
|  | Los controles están mal configurados   | Ajuste las configuraciones de control a la carga que esté secando.   |
|  | La caja del condensador está obstruida   | Retire y limpie la caja del condensador. Además, limpie el soportedonde se encuentra la caja del condensador asegurando que todos los sellos estén libres de restos. Vuelva a colocar la caja del condensador y asegúrala en su lugar. Consulte <b>Condenser</b> (Condensador) en la sección <b>Cuidado y limpieza</b> . |
|  | El filtro de pelusas está lleno  | Limpie el filtro de pelusas antes de cada carga.   |
|  | Fusible quemado o disyuntor accionado  | Cambie los fusibles o reconfigure los disyuntores. Ya que la mayoría de las secadoras utilizan 2 fusibles/disyuntores, asegúrese de que ambos estén funcionando.   |
|  | Carga excesiva/cargas combinadas   | No coloque más de una carga en la secadora por vez.  |
|  | Poca carga   | Si va secar sólo una o dos prendas, agregue algunas más para asegurar un secado correcto.  |
| Se ha seleccionado el nivel de secado Dry (Seco) pero la carga aún se encuentra húmeda | La carga consiste de una combinación de telas pesadas y livianas   | Cuando combine telas pesadas con livianas en una carga, escoja <b>More Dry</b> (Más seco).   |
|  | El filtro de pelusas, el condensador, y/o la ventilación de entrada de aire ubicada en el frente de la secadora se encuentran bloqueados | Inspeccione y limpie el filtro de pelusas, el condensador, y/o la ventilación de la entrada de aire ubicada en el frente de la secadora.   |
|  | El Sensor de Secado está sucio   | Limpie el sensor con una tela húmeda.  |
| Las teclas de control  | Los controles se accionaron accidentalmente en el modo de servicio   | Presione <b>Start/Pause</b> (Inicio/Pausa).  |
|  | Los controles se accionaron operation accidentalmente en el modo de de bloqueo   | Sostenga el botón Lock Control (bloqueo de control) durante 3 segundos para desbloquear la secadora.   |
|  | Los controles efectuaron una operación incorrecta  | Reconfigure el disyuntor.  |
| La secadora no se enciende   | El panel de control está "dormido"   | Esto es normal. Presione <b>Power</b> (encendido) para activar el panel de control.  |
|  | La secadora está desenchufada  | Verifique que el enchufe de la secadora esté bien colocado en el tomacorriente.  |
|  | Fusible quemado/disyuntor accionado  | Verifique la caja de fusibles/disyuntor del edificio y cambie el fusible o reconfigure el disyuntor. <b>NOTA:</b> Las secadoras eléctricas utilizan dos fusibles o disyuntores.  |
|  | La secadora se puso en pausa accidentalmente cuando se iniciaba Delay Dry (Secado retardado)   | Si la luz del botón <b>Start/Pause</b> (Inicio/Pausa) destella, la secadora se encuentra en pausa. Presione <b>Start/Pause</b> (Inicio/Pausa) para volver a iniciar la cuenta regresiva.   |
|  | El tanque de agua está lleno   | Si la luz del <b>Empty Tank</b> (Tanque vacío) está encendida, deberá vaciar el tanque de agua antes de que la secadora empiece a funcionar. Para obtener instrucciones sobre cómo vaciar el tanque, consulte la <b>Cuidado y limpieza</b> .   |

# Consejos para la solución de problemas

| Problema  | Causas posibles   | Solución  |
|---|---|---|
| No aparecen números en la pantalla durante el ciclo, sólo luces                         | La secadora monitorea constantemente la cantidad de humedad en la ropa  | Esto es normal. Cuando la secadora detecta un nivel bajo de humedad en la carga, la secadora mostrará el tiempo restante de secado.   |
| El tiempo restante ha saltado a un número inferior                                      | El tiempo estimado podría cambiar si seca una carga menor a la normal   | Esto es normal.   |
| No puede realizar una selección y la secadora activa la alarma sonora dos veces         | El Level (nivel de secado), Temp (temperatura) o la opción que intenta seleccionar es incompatible con el ciclo de secado que ha escogido.              | Esto es normal.   |
| La secadora se encuentra funcionando, pero el tiempo restante muestra 00                | Se ha escogido la opción Ext Tumble (Prolongar secado)  | Esto es normal. Durante el secado prolongado, no se muestra el tiempo restante. La opción de secado prolongado tarda 60 minutos aproximadamente.  |
| Mensaje "Clean Filter" (Limpie filtro de pelusa)  | Se activó el botón Power (Encendido/Apagado)  | Presione <b>Start/Pause</b> (Inicio/Pausa) para iniciar un ciclo de secado y desaparecerá el mensaje.   |
| La secadora no calienta   | Fusible quemado/disyuntor desconectado; es posible que la secadora gire sin calentar  | Revise la caja de fusibles/disyuntores y reemplace ambos fusibles y reconecte ambos disyuntores. Es posible que la secadora gire si únicamente un fusible se ha quemado o un solo disyuntor ha saltado.                                   |
| Plazos de secado inconsistentes   | Tipo de carga y condiciones de secado   | El tamaño de la carga, el tipo de tela, cuán mojada que esté la ropa y la condición del filtro de pelusas, el condensador, y/o la ventilación de entrada de aire ubicada en el frente de la secadora afectarán los tiempos del secado.    |
|   | Se acumuló una cantidad excesiva de escombros en el condensador, impidiendo un flujo de aire adecuado.  | Consulte la <b>Cuidado y limpieza</b> .   |
| Brillo en la parte trasera del tambor   | Calentadores detrás del tambor  | Esto es normal. En ciertas condiciones de secado e iluminación ambiente, el brillo de los calentadores puede verse en la parte trasera del tambor.  |
| Las prendas aún se encuentran húmedas y la secadora se apaga después de un tiempo corto | Se abrió la puerta a la mitad del ciclo. Luego se procedió a retirar la carga de la secadora y se colocó una carga nueva sin seleccionar un ciclo nuevo | Se debe volver a seleccionar un ciclo de secado cada vez que se coloca una carga nueva.   |
|   | Carga pequeña   | Cuando seque 3 o menos prendas, escoja <b>Quick Dry</b> (Secado rápido) o <b>Time Dry</b> (Secado cronometrado).  |
|   | La carga ya se encontraba seca a excepción de los cuellos y pretinas  | Escoja <b>Quick Dry</b> (Secado rápido) o <b>Time Dry</b> (Secado cronometrado) para secar los cuellos y pretinas que estén húmedos. En el futuro, al secar una carga que contenga cuellos y pretinas, escoja <b>More Dry</b> (Más seco). |
|   | La secadora no está nivelada  | Mueva la secadora a un área con piso nivelado o ajuste las patas niveladoras como sea necesario hasta que se encuentre nivelada.  |
| Las prendas están arrugadas   | Sobresecado   | Seleccione un plazo de secado más breve.<br>Retire las prendas mientras están húmedas. Programe el ajuste a <b>Less Dry</b> (Menos seco) o <b>Damp</b> (Secado húmedo).   |
|   | Las prendas permanecen en la secadora después que ha terminado el ciclo   | Retire las prendas cuando finaliza el ciclo y doble o cuélguelas inmediatamente, o utilice la opción <b>Ext Tumble</b> (Secado prolongado).   |
|   | Sobrecarga  | Separe las cargas más grandes en más pequeñas.  |

## Consejos para la solución de problemas

| Problema  | Causas posibles  | Solución  |
|---|--|---|
| Las prendas se encogen  | Algunas telas se encogen de manera natural cuando se lavan. Otras pueden lavarse sin problemas, pero se encogerán en la secadora | Para evitar encoger las prendas, siga las instrucciones de las etiquetas exactamente.<br>Algunas prendas pueden plancharse nuevamente a su forma original después de secarlas.<br>Si tiene dudas sobre si una prenda en particular encogerá, no la lave a máquina ni la seque con giro. |
| Manchas de grasa en la ropa   | Uso inapropiado de suavizador de telas   | Siga las direcciones en el envase del suavizador de telas.  |
|   | Secado de artículos sucios con limpios   | Utilice su secadora para secar únicamente artículos limpios. Los artículos sucios pueden manchar los artículos limpios y la secadora.   |
|   | Las prendas no están completamente limpias   | Algunas manchas que no se pueden ver cuando las prendas están mojadas aparecen después del secado. Utilice procedimientos apropiados de lavado antes del secado.  |
| Pelusa en las prendas   | El filtro de pelusa está lleno   | Limpie el filtro antes de cada carga.   |
|   | Clasificación incorrecta   | Clasifique las prendas que producen pelusa (como felpilla) de las prendas que juntan pelusa (como la pana).   |
|   | La electricidad estática puede atraer pelusa   | Consulte las sugerencias en esta sección bajo <b>Ocurre estática</b>  |
|   | Sobrecarga   | Separe las cargas más grandes en menor tamaño.  |
|   | Papel, servilletas, etc., quedan dentro de los bolsillos de la ropa  | Vacíe todos los bolsillos antes de lavar la ropa.   |
| Ocurre estática   | No se utilizó ningún tipo de suavizador de telas   | Intente utilizar un suavizador de telas.<br>Bounce® Fabric Conditioner Dryer Sheets ha sido aprobado para ser usado con todas las Secadoras GE Appliances y cuando se usen de acuerdo con las instrucciones del fabricante.   |
|   | Sobresecado  | Intente utilizar un suavizador de telas.<br>Programa el ajuste a <b>Less Dry</b> (Menos seco) o <b>Damp</b> (Secado húmedo).  |
|   | Artículos sintéticos, planchado permanente y combinaciones pueden causar estática  | Intente utilizar un suavizador de telas.  |
| Los cuellos y pretinas aún se encuentran húmedos al final del ciclo                 | El monitor de sequedad detecta que el cuerpo de las prendas está seco  | Escoja <b>Quick Dry</b> (Secado rápido) o <b>Time Dry</b> (Secado cronometrado) para secar dejando húmedos los cuellos y pretinas. En el futuro, cuando seque una carga con cuellos y pretinas, escoja <b>More Dry</b> (Más seco).  |
| Pequeña variación del color metálico.   | Esto es normal.  | Debido a las propiedades metálicas de la pintura utilizada con este producto único, pueden ocurrir pequeñas variaciones de color debido ángulos de visualización y condiciones de iluminación.  |
| La secadora sigue girando después de que la pantalla indica Complete (finalización) | Se seleccionó Ext Tumble el secado prolongado.   | Asegúrese de que Ext Tumble la opción de secado prolongado no esté seleccionada.  |

# Garantía limitada de la secadora GE Appliances

## GEAppliances.com

Todo el servicio de garantía es provisto por nuestros Centros de Servicio de Fabricación, o un técnico autorizado de Servicio al Cliente (Customer Care®). Para programar una visita del servicio técnico, visítenos a través de Internet en [GEAppliances.com/service](http://GEAppliances.com/service), o llame GE Appliances al 800.GE.CARES (800.432.2737). Cuando llame para solicitar el servicio, tenga los números de serie y modelo disponibles.

Para realizar el servicio técnico de su electrodoméstico se podrá requerir el uso de datos del puerto de abordaje para su diagnóstico. Esto da al técnico del Servicio de Fábrica de GE Appliances la habilidad de diagnosticar de forma rápida cualquier problema con su electrodoméstico, y de ayudar a GE Appliances a mejorar sus productos al brindarle a GE Appliances la información sobre su electrodoméstico. Si no desea que los datos de su electrodoméstico sean enviados a GE Appliances, solicitamos que le indique a su técnico NO entregar los datos a GE Appliances en el momento del servicio.

| Por el Período de:                                 | Se sustituirá:  |
|--|---|
| <b>Un Año</b><br>Desde la fecha de compra original | <b>Cualquier pieza</b> de la secadora que falle debido a un defecto de los materiales o la mano de obra. Durante esta <b>garantía limitada de un año</b> , también ofrecemos, <b>en forma gratuita</b> , toda la mano de obra y los costos de servicio para reemplazar la pieza defectuosa. |

## Qué No Cubrirá GE Appliances:

- Viajes del personal de servicio a su casa para enseñarle cómo usar su producto.
- Instalación, entrega o mantenimiento inapropiada.
- Fallas del producto si es maltratado, mal usado, o usado para un propósito diferente del que se creó o si es usado para usos comerciales.
- Cambio de los fusibles de su casa o reajuste del circuito de interruptores.
- Productos sin defectos o rotos, o los cuales se encuentran funcionando como se indica en el Manual del propietario.
- Daños al producto causados por accidentes, incendios, inundaciones o actos de la naturaleza.
- Daños imprevistos resultantes causados por posibles defectos con este electrodoméstico.
- Defectos o daños debido a la puesta en funcionamiento a temperaturas de congelación.
- Daños causados después del envío.
- Producto no accesible para facilitar el servicio requerido.
- Limpieza del condensador para restaurar el rendimiento del secado del producto.

## EXCLUSIÓN DE GARANTÍAS IMPLÍCITAS

Su única y exclusiva alternativa es la reparación del producto, como se indica en la Garantía Limitada. Las garantías implícitas, incluyendo garantías implícitas de comerciabilidad o conveniencia sobre un propósito particular, se limitan a un año o al período más corto permitido por la ley.

Esta garantía limitada se extiende al comprador original y a cualquier propietario subsecuente para productos comprados para uso doméstico dentro Estados Unidos. Si el producto está situado en un área que no dispone de servicio por parte de un proveedor de servicio autorizado de GE Appliances, podría tener que hacerse cargo de los costes de envío o bien podría solicitársele que lleve el producto a un centro de servicio de GE Appliances autorizado para realizar la reparación. En Alaska, la garantía limitada excluye el costo de envío o las visitas de servicio a su casa.

Algunos estados no permiten la exclusión o limitación de daños imprevistos. Esta garantía limitada le da sus derechos legales específicos, y es posible que usted tenga otros derechos legales que varían de estado a estado. Para informarse de cuáles son sus derechos legales, consulte a su oficina de asuntos del consumidor local o estatal o póngase en contacto con la Oficina de su Procurador General.

**Garante: GE Appliances, a Haier Company**  
**Louisville, KY 40225**

**Garantías Extendidas:** Adquiera una garantía extendida de GE Appliances y conozca los descuentos especiales que están disponibles mientras su garantía aún está vigente. Puede acceder a la misma a través de Internet en cualquier momento en

**[GEAppliances.com/extended-warranty](http://GEAppliances.com/extended-warranty)**

o llamando al 800.626.2224 durante el horario comercial. Los Servicios para los GE Appliances aún estarán disponibles cuando su garantía caduque.

**GARANTÍA LIMITADA**

Abroche su recibo aquí. Para acceder al servicio técnico de acuerdo con la garantía deberá contar con la prueba de la fecha original de compra.

# Soporte para el Consumidor

---

## Sitio Web de GE Appliances

¿Desea realizar una consulta o necesita ayuda con su electrodoméstico? ¡Intente a través del Sitio Web de GE Appliances las 24 horas del día, cualquier día del año! Usted también puede comprar más electrodomésticos maravillosos de GE Appliances y aprovechar todos nuestros servicios de soporte a través de Internet, diseñados para su conveniencia. [GEAppliances.com](http://GEAppliances.com)

---

## Registre su Electrodoméstico

¡Registre su electrodoméstico nuevo a través de Internet, según su conveniencia! Un registro puntual de su producto permitirá una mejor comunicación y un servicio más puntual de acuerdo con los términos de su garantía, en caso de surgir la necesidad. También puede enviar una carta en la tarjeta de inscripción preimpresa que se incluye con el material embalado. [GEAppliances.com/register](http://GEAppliances.com/register)

---

## Servicio Programado

El servicio de reparación de expertos de GE Appliances está a sólo un paso de su puerta. Conéctese a través de Internet y programe su servicio a su conveniencia cualquier día del año.

[GEAppliances.com/service](http://GEAppliances.com/service)

o comuníquese al 800.432.2737 durante el horario de atención comercial.

---

## Garantías Extendidas

Adquiera una garantía extendida de GE Appliances y conozca los descuentos especiales que están disponibles mientras su garantía aún está vigente. La puede adquirir en cualquier momento a través de Internet. Los servicios de GE Appliances aún estarán allí cuando su garantía caduque.

[GEAppliances.com/extended-warranty](http://GEAppliances.com/extended-warranty)

o comuníquese al 800.626.2224 durante el horario de atención comercial.

---

## Conectividad Remota

Para solicitar asistencia para la conectividad de red inalámbrica (para modelos con acceso remoto), visite nuestro sitio web en [GEAppliances.com/connect](http://GEAppliances.com/connect) o comuníquese al 800.220.6899.

---

## Piezas y Accesorios

Aquellos individuos calificados para realizar el servicio técnico de sus propios electrodomésticos podrán solicitar el envío de piezas o accesorios directamente a sus hogares (se aceptan las tarjetas VISA, MasterCard y Discover). Ordene hoy a través de Internet durante las 24 horas, todos los días. [GEApplianceparts.com](http://GEApplianceparts.com) o de forma telefónica al 877.959.8688 durante el horario de atención comercial.

**Las instrucciones que figuran en este manual cubren los procedimientos que serán realizados por cualquier usuario. Otros servicios técnicos generalmente deben ser derivados a personal calificado del servicio. Se deberá tener cuidado, ya que una reparación indebida podrá hacer que el funcionamiento no sea seguro.**

---

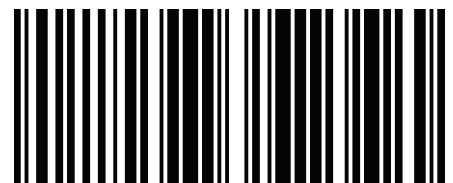
## Contáctenos

Si no se encuentra satisfecho con el servicio que recibió de GE Appliances, comuníquese con nosotros a través de nuestro sitio Web con todos los detalles, incluyendo su número telefónico, o escriba a:

General Manager, Customer Relations | GE Appliances, Appliance Park | Louisville, KY 40225

[GEAppliances.com/contact](http://GEAppliances.com/contact) o comuníquese al 800.626.2000

---



0020507767Z