

**NVS-10380020CS**  
**20W COAXIAL CEILING SPEAKER WITH**  
**MULTIPLE POWER TAP OPTION**  
**USER MANUAL**



## Contents

<b>Product Overview.....</b>	<b>3</b>
• Description .....	3
• Features.....	3
<b>Product Dimension.....</b>	<b>3</b>
<b>Installation Instructions.....</b>	<b>4</b>
<b>Technical Parameters.....</b>	<b>5</b>
<b>Specifications.....</b>	<b>6</b>

## Product Overview

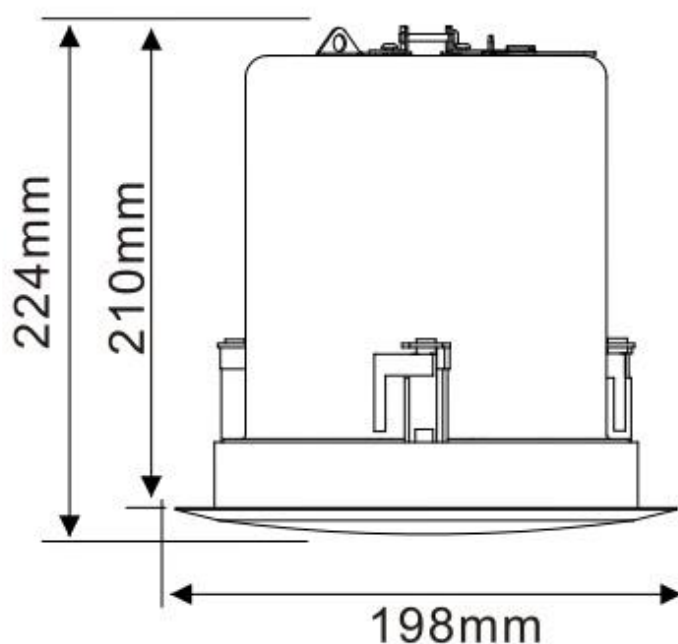
### Description

The NVS-10380020CS is a Ceiling Speaker with built-in 70V/100V transformer and it can be switched between voltage terminal and the ohms terminal. The transmission takes place in a high-voltage, low-current environment. Low-current mode allows for longer transmission distances and parallel connections of many loudspeakers. The built-in 5" speaker driver has a wide frequency response (60-20,000Hz) and a 20W rated power output. It is made of high-quality engineering plastic, which assure a long-term durability and never out of shape and it will not color fade. It is an ideal choice for industrial and commercial applications like hotel, school, office and factory where background music and paging is required.

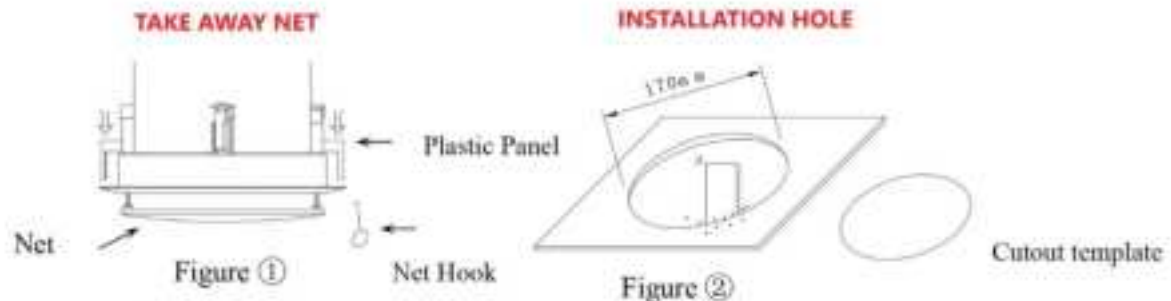
### Features

- Multiple power tap option
- Secure flush mount
- ABS white plastic

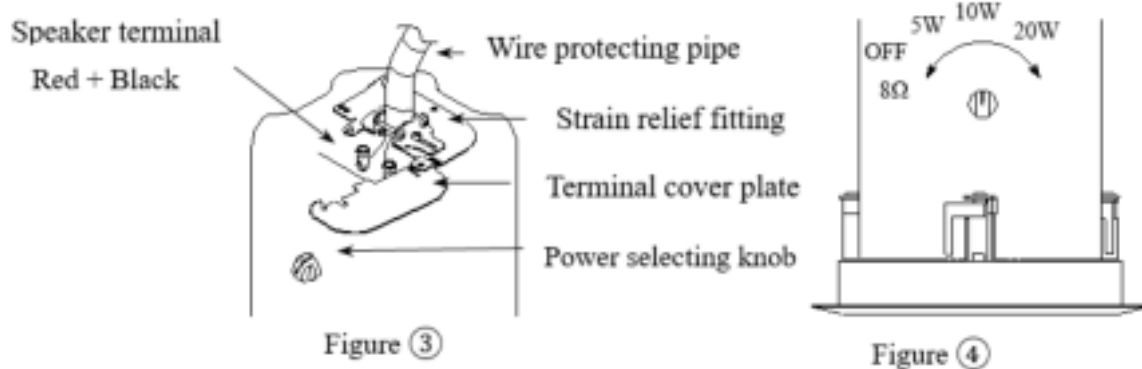
### Product Dimension



## Installation Instructions



1. Pull the net by the net hook (Figure ①).
2. Cut an  $\varnothing 170\text{mm}$  installation hole on ceiling by the cutout template (Figure ②).
3. Pass public address wire through the wire-protecting pipe to connect speaker's terminal, then fix up the strain relief fitting and the terminal cover plate (Figure ③).



4. Select the power by the power selecting knob (Figure ④).
5. Attach the auxiliary support line through the support ring to another point (Figure ⑤).

Supporting



Figure ⑤

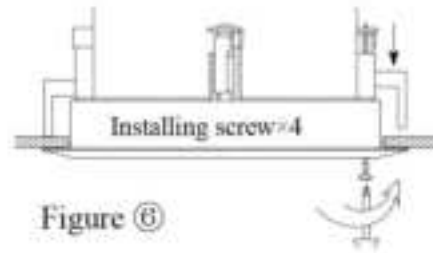
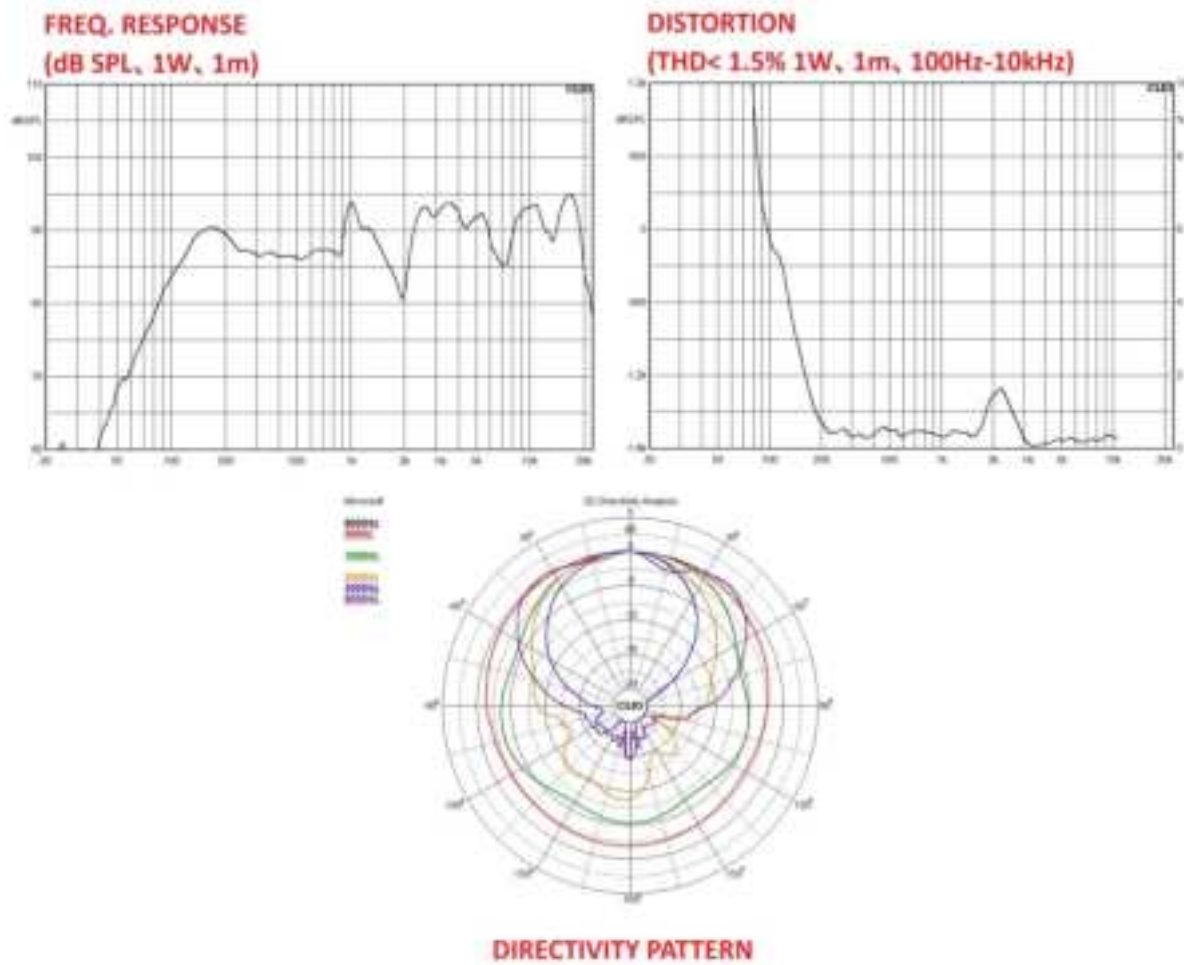


Figure ⑥

6. Push the speaker into the installation hole and turn the installing screw to fix up the speaker on ceiling (Figure ⑥).
7. Push the net into the plastic panel.
8. Adjust the direction of set and examine whether it is steady.

## Technical Parameters



## Specification

<b>Model</b>	<b>NVS-10380020CS</b>
Rated power	20W
Driver Size	5" x 1, 1" x1
Power Taping Options	5/10/20W
Input Voltage/Impedance	70/100V, 4-16Ω
Coverage Angle	175°
Connector type	Spring loaded terminal
Cutout Size	Ø170mm
Frequency Response	60Hz-20kHz
Sensitivity (1W@1M)	90dB
Maximum SPL (1M)	103dB
Operating temperature	-25°C~+57°C
Weight	2.9kg
Dimension	Ø198 x 224 mm