

Users Manual

RPM

RPM PRO WIRELESS VACUUM
SKU: RPMPRO-1



D Catalogue

1. Safe operation manual
2. Product parameters
3. Product mix
4. Accessories list
5. Installation instructions
6. Method of use
7. Cleaning and maintenance
8. General fault analysis and treatment
9. Environmental protection instruction sheet

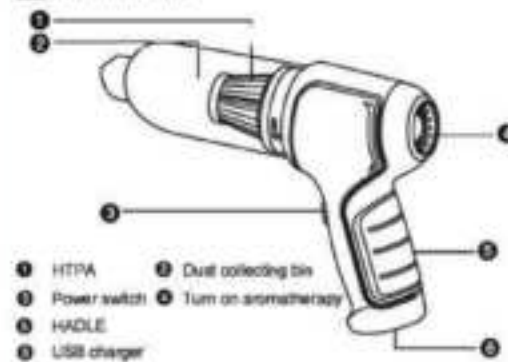
D Safe operation manual

- please read all contents of this manual carefully before using the product.
- keep this manual properly. If you transfer the product to a third party for use, please attach this manual with the machine.
- any operation inconsistent with the instructions in the manual may cause serious personal injury, property loss or damage to the product itself.
- our company will not bear any legal liability for the loss caused by the failure to operate in accordance with the product instructions.
- please read the instructions that are very important to your personal safety carefully to avoid accidents and possible damage to the product.
- please be very careful when working with the product to avoid danger.
- keep the product properly and keep it out of the reach of children and people who are unable to judge the environmental risk.
- do not store the product at a high place to avoid the risk of accidental fall.

D Product Parameters

Product Model	ST-6645C	ST-6645Pro
Rated Voltage	7.4V	7.4V
Rated Input	5V-2A	5V-2A
Dust cup capacity	0.2L	0.2L
Interface Type	Type-C	Type-C
Product Size	21.3X16.3X6.7cm	21.3X16.3X6.7cm
Product Weight	about 340g	about 372g
Appearance Material	ABS	ABS
Motor Type	DC Motor	DC Brushless Motor

D Product mix



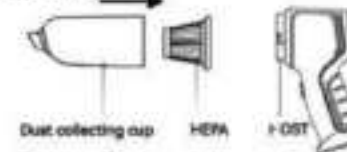
D Accessories list



D Installation instructions

Installation of main machine dust collecting cup group

1. Install the HEPA filter cover into the dust collecting cup as shown in the figure;
2. Rotate the dust collecting cup assembly counterclockwise as shown in the figure, and a "click" sound indicates that the installation is successful;



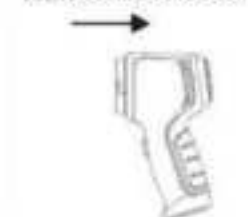
Dust collection mode

1. Insert the two-in-one flat suction into the suction port of the host;



Blowing mode

1. According to the arrow direction as shown in the figure, install the air nozzle on the host.



Extraction mode

1. According to the arrow direction as shown in the figure, install the air extraction nozzle on the host.



D Method of use

● preparation before use

1. Charge with a 1A-2A mobile phone charger. Make sure that all parts of the wireless vacuum cleaner have been assembled in place. Check whether the power is sufficient to ensure the normal operation of the product.
2. Do not start the machine when charging. The red indicator light of the charging line is in normal charging state, and the blue light is always on when fully charged.
3. Insert the charging cable into the USB interface and the other end into the charging interface.

● charging instructions

1. Insert the charging cable into the USB interface and the other end into the charging interface.
2. Do not start the machine when charging. The red indicator light of the charging line is in normal charging state, and the blue light is always on when fully charged.

Start-up

The whole machine adopts a locking switch, press the switch button, the main machine starts to the standard working mode, and the working indicator light is green and always on.

close

Press the switch button to close.



be careful

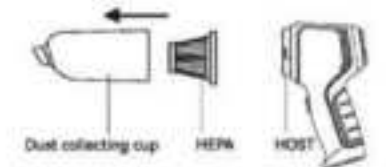
When using a new battery or storing a battery for the first time for a long time, please fully charge the battery. Please charge for more than 3 hours before the first use. Please fully charge before long-term storage. If the battery enters the power shortage state, the machine will not be able to charge, affecting normal use.

D Product disassembly and cleaning

Cleaning and maintenance

Clean the dust collecting cup

1. First, rotate the dust collecting cup in the direction shown in the figure and remove it from the host;



2. Take out the HEPA filter screen in the dust bin and dump the garbage into the garbage can.

3. Separate the HEPA filter cover and dust collecting cup in sequence, and clean the HEPA filter cover with a brush. The dust collecting cup can be washed and dried before use.

4. To reinstall the dust bin, put the HEPA filter screen into the dust bin, and rotate and tighten it in the opposite direction according to step 1 above;

