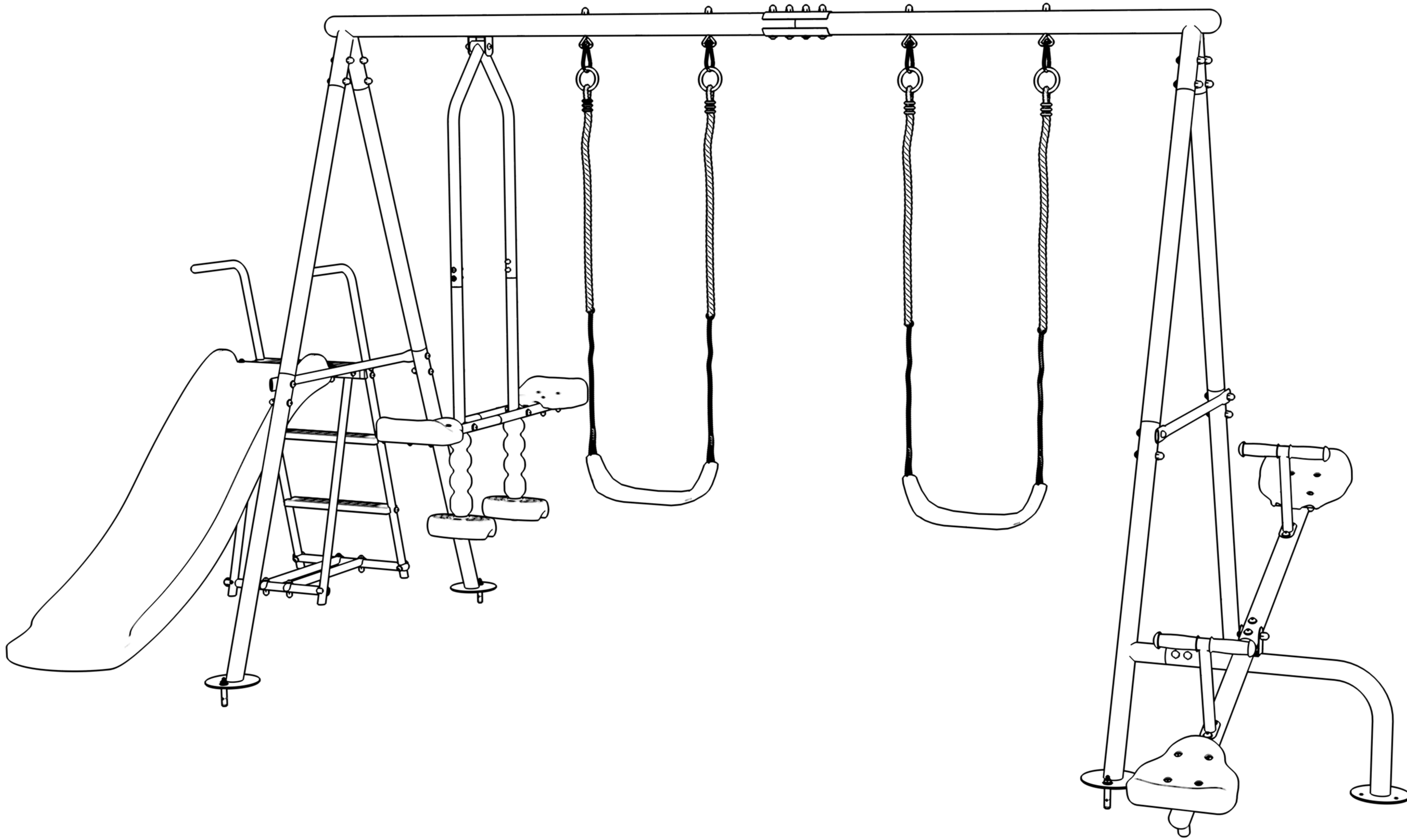


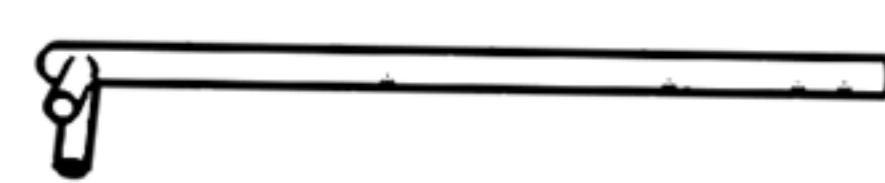


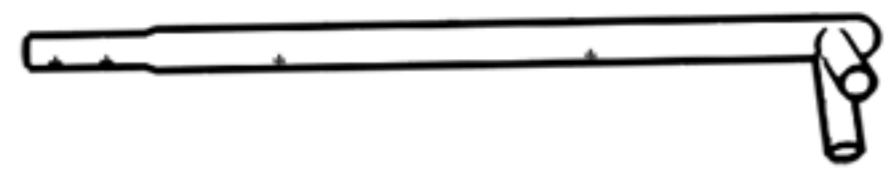


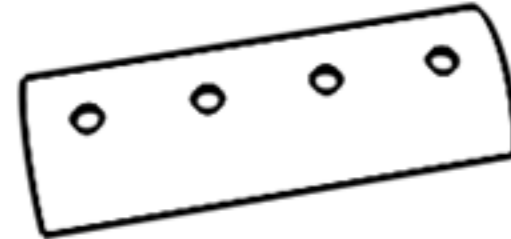


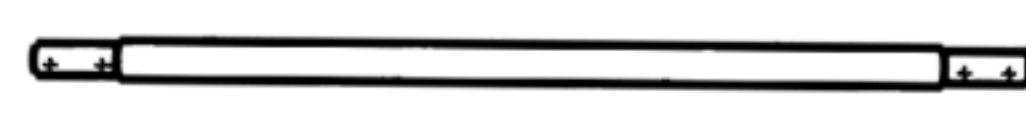


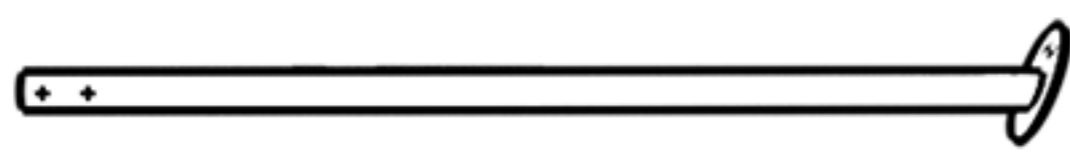

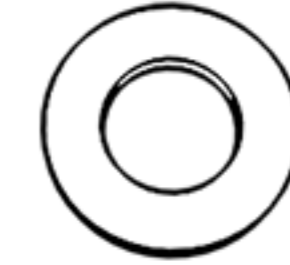





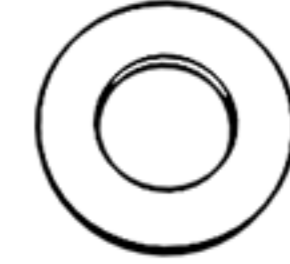








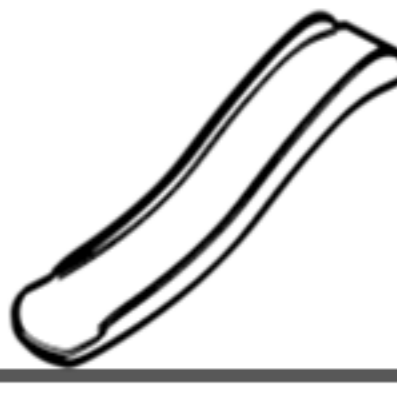
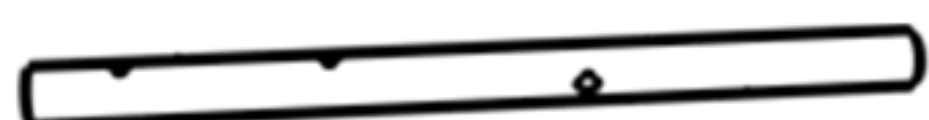

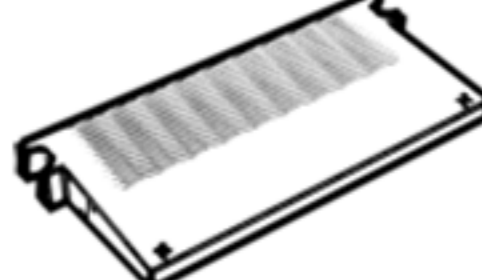





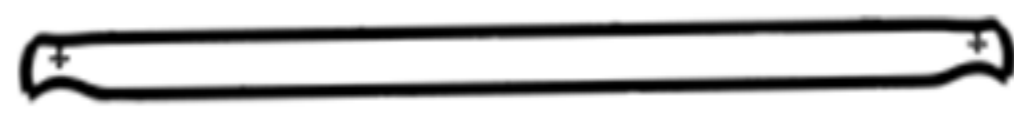



# SWING SET INSTALLRATION INSTRUCTIONS SWN0303



CE

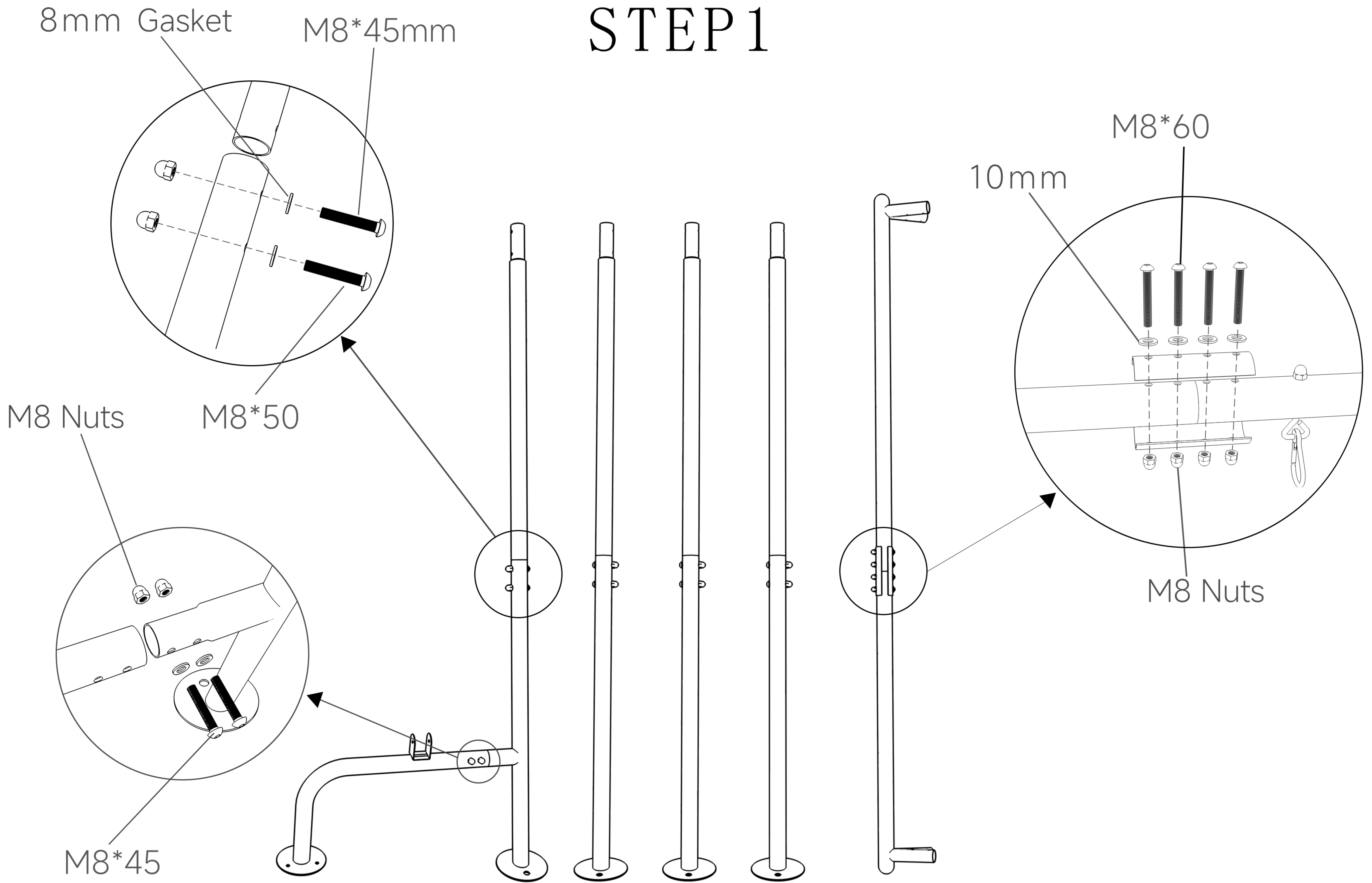


## SPARE PARTS LIST

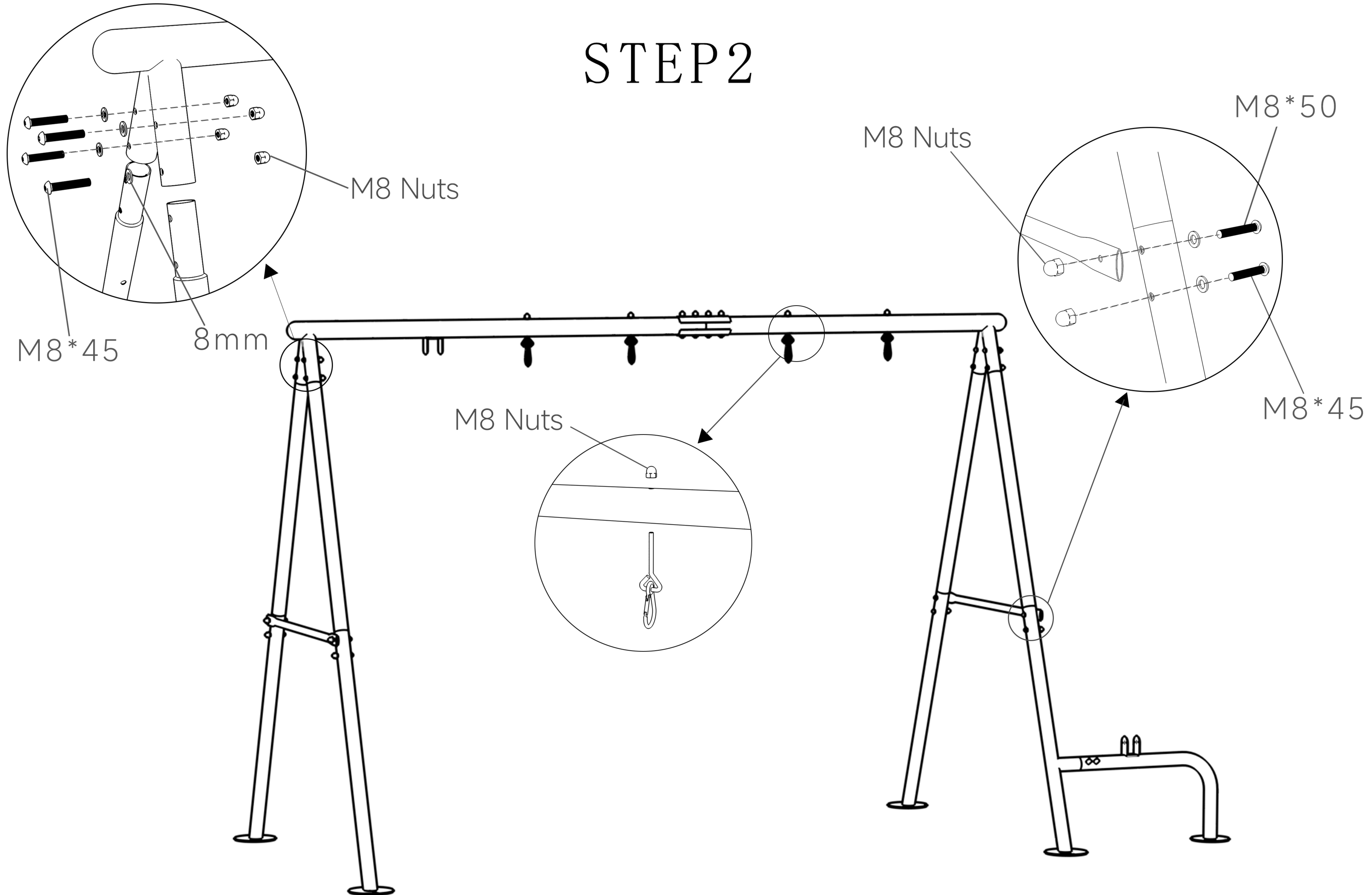
NAME	PHOTO	QTY	SIZE	NAME	PHOTO	QTY	SIZE	NAME	PHOTO	QTY	SIZE
A		1		O		4		R1		22	M6
B		1		P		4		R2		41	M8
C		2		Q1		2	M6*20	R3		4	M10
D		4		Q2		2	M6*35	R4		1	M12
E		3		Q3		16	M6*40	S1		22	6mm
F		2		Q4		10	M6*45	S2		41	8mm
G		1		Q5		24	M8*45	S3		4	10mm
H		1		Q6		4	M8*50	S4		1	12mm
I		2		Q7		10	M8*60	T		2	
J		4		Q8		4	M8*70	U		1	
K		2		Q9		1	M8*80	V		1	
L		2		Q10		2	M8*90	W		2	
M		2		Q11		4	M10*20	X		4	
N		6		Q12		1	M12*55	Y		2	



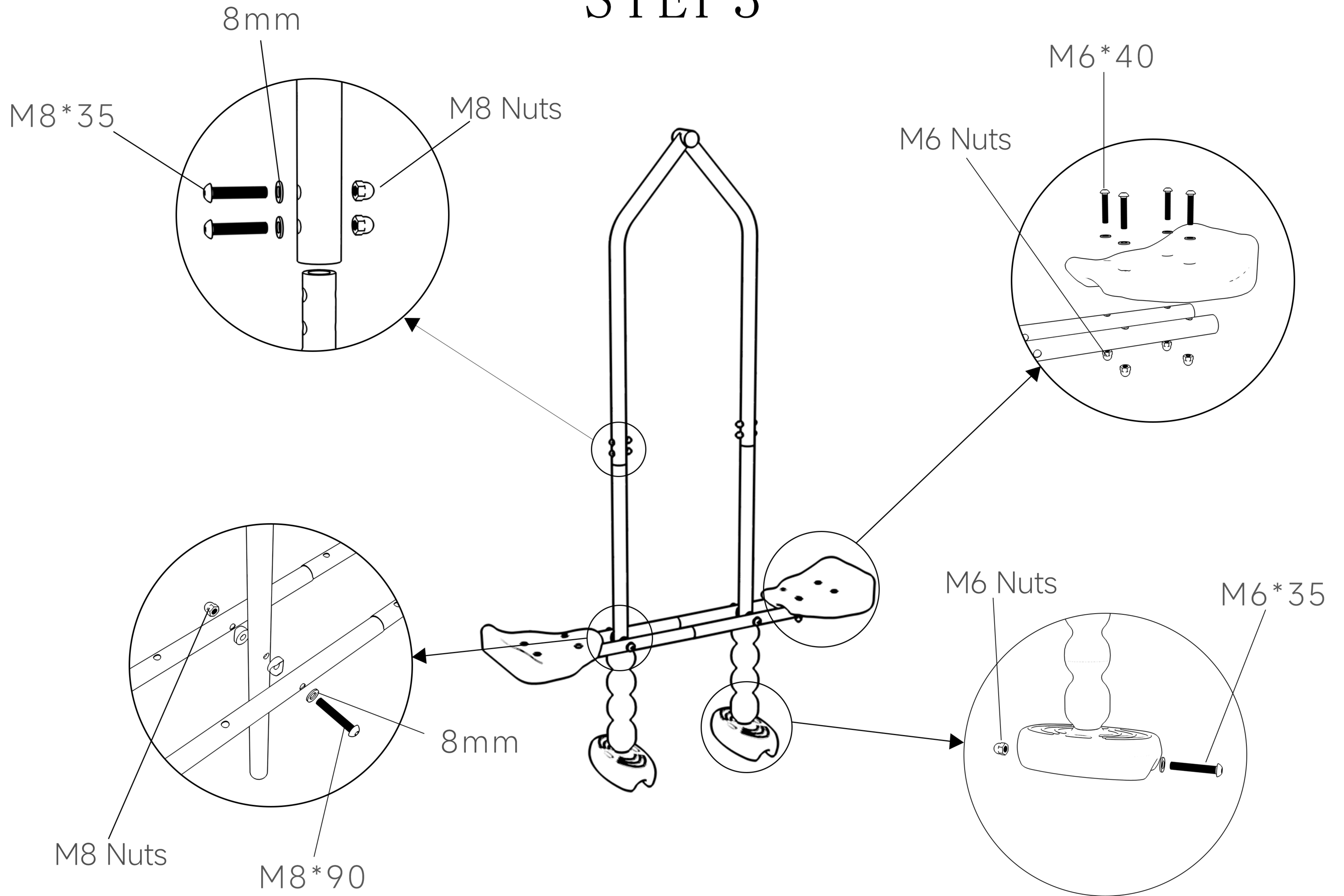
# STEP 1



# STEP 2



# STEP 3



# STEP 4

M6\*45

M6 Nuts

M6\*20

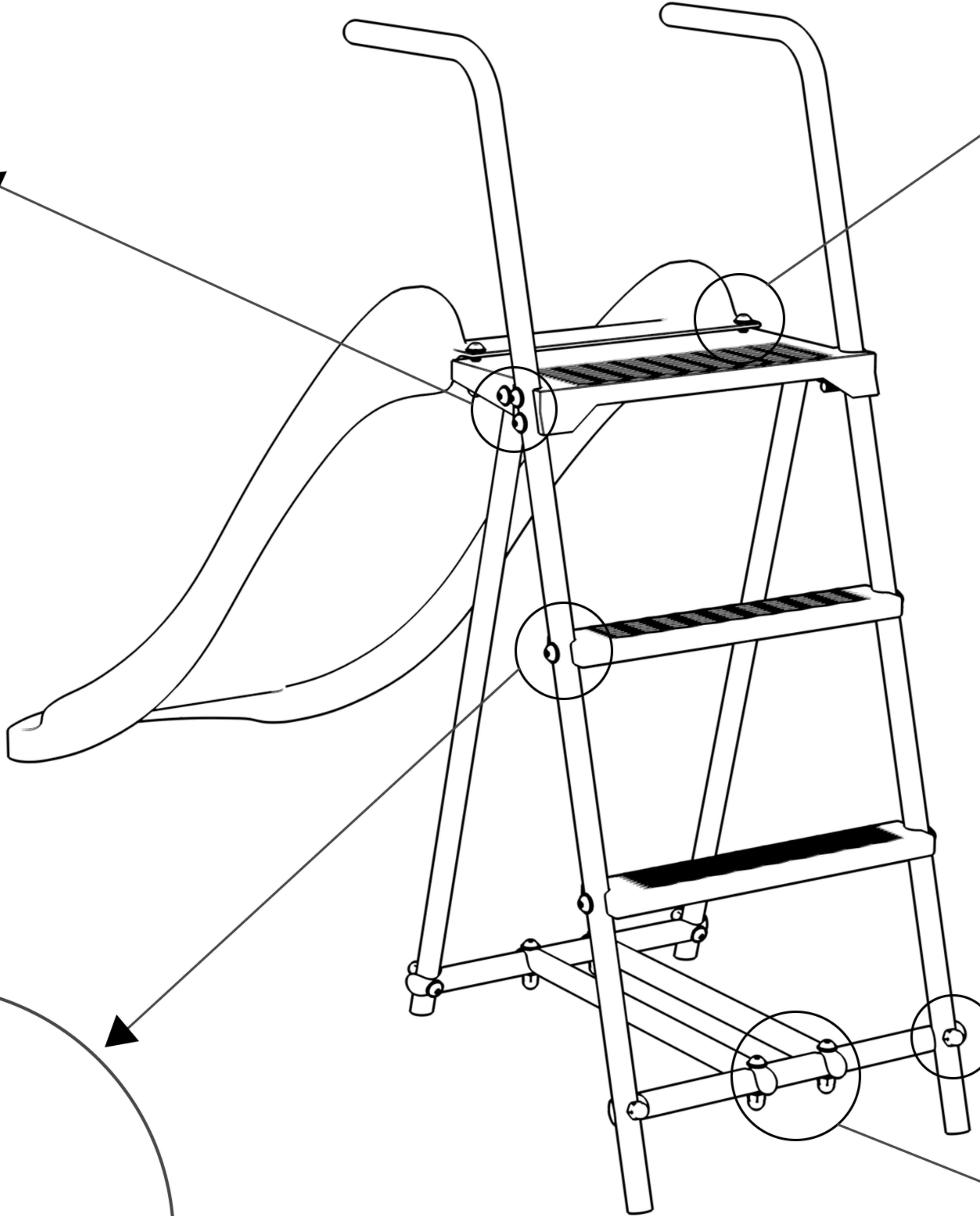
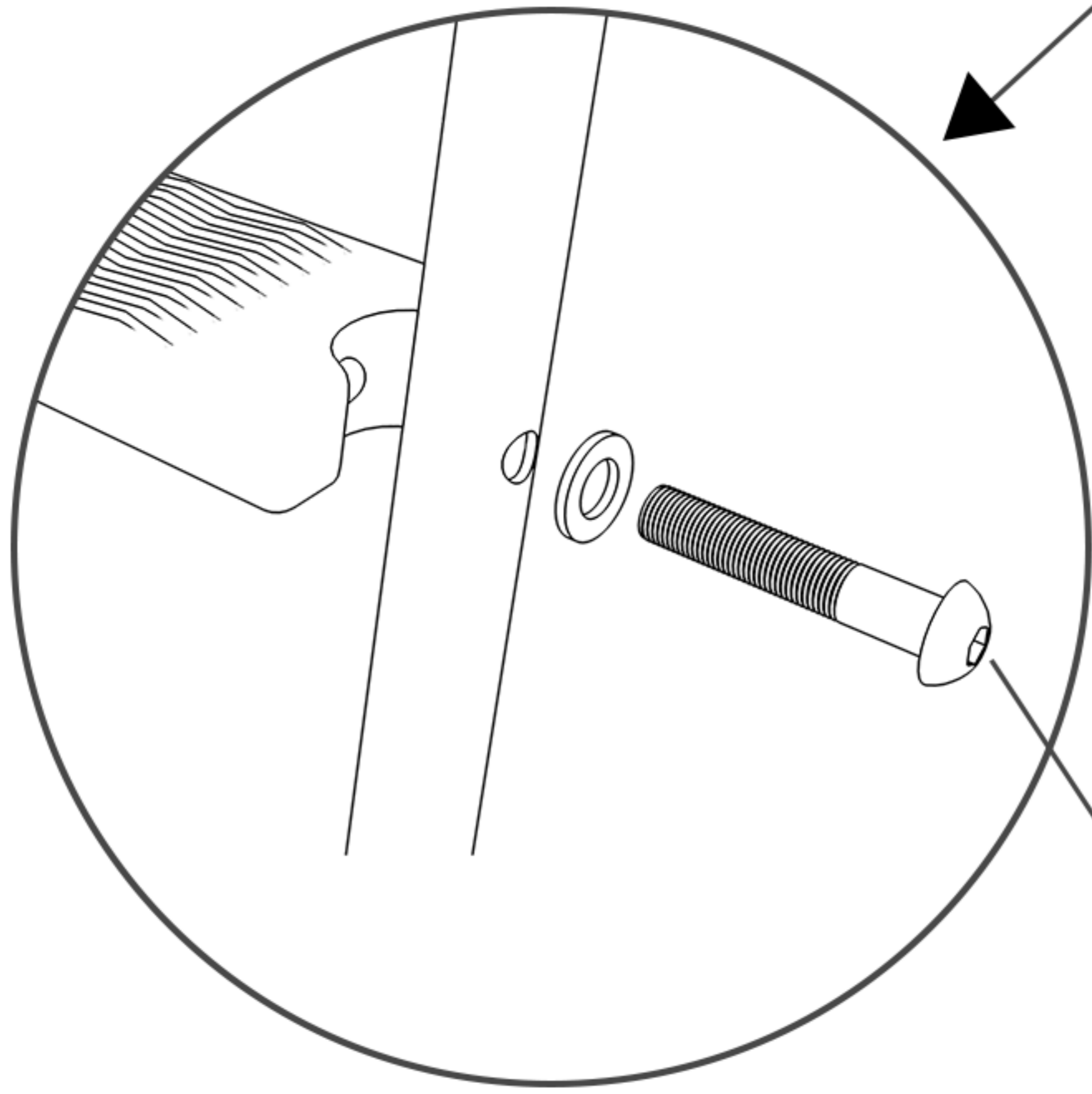
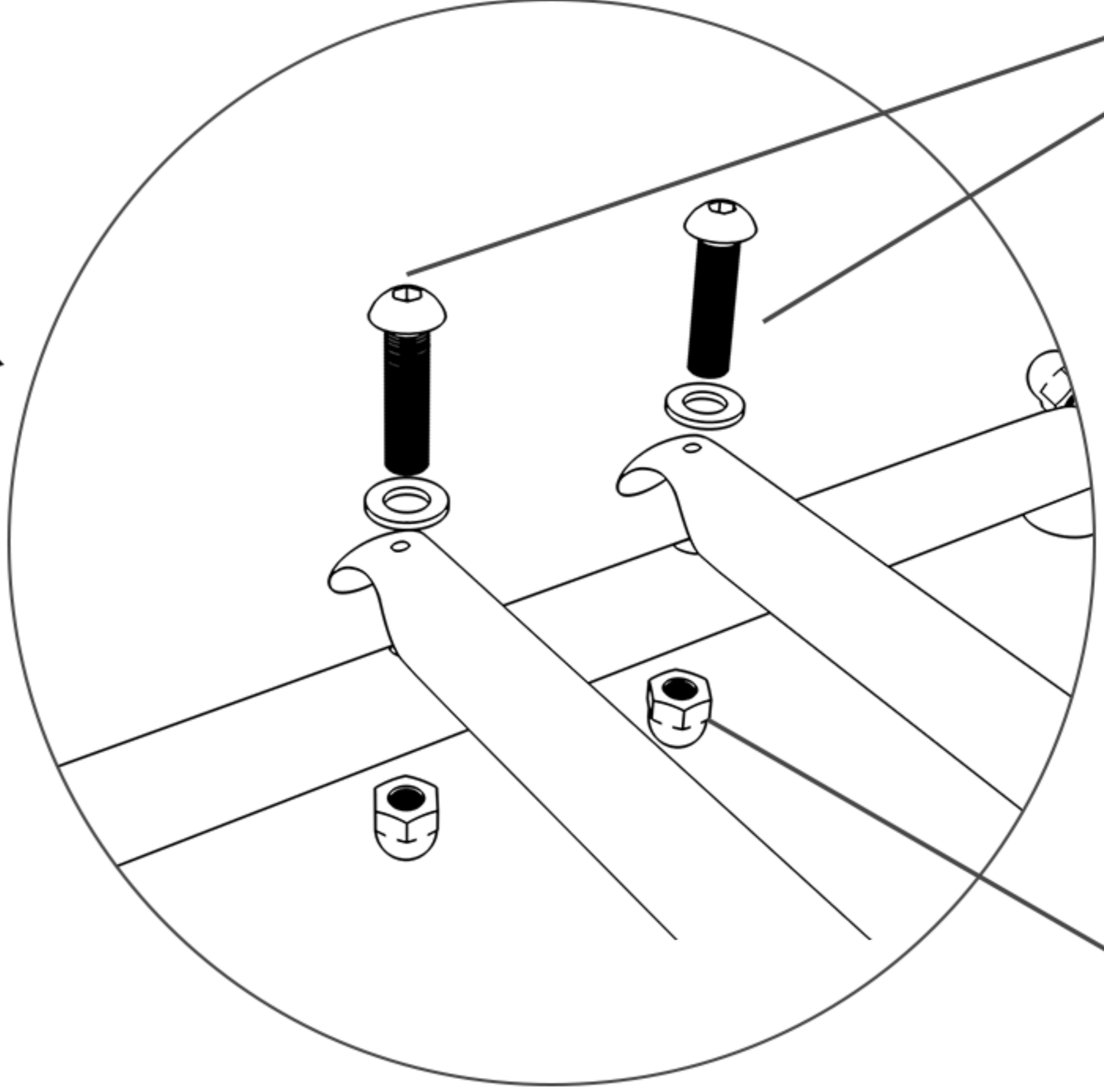
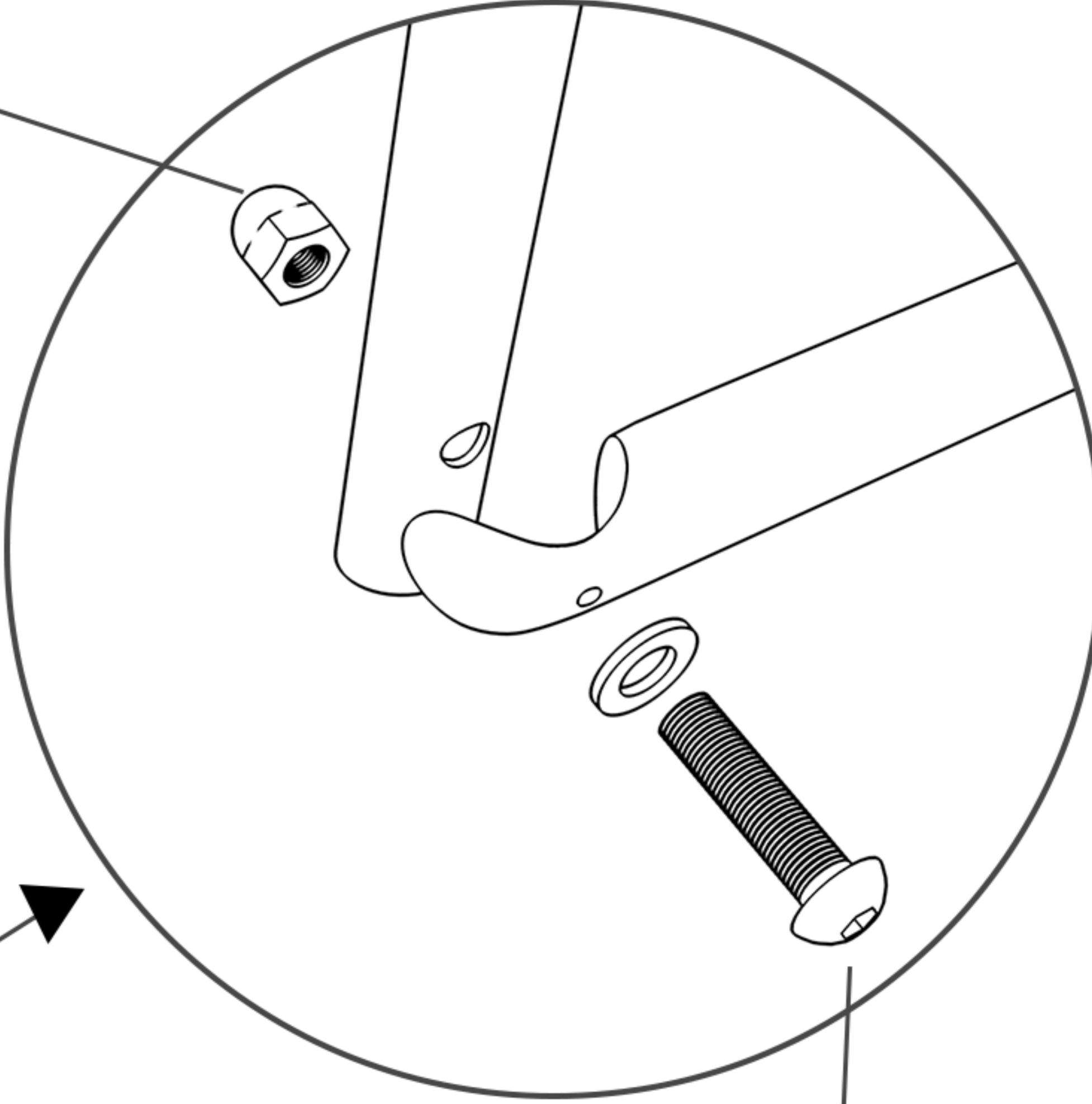
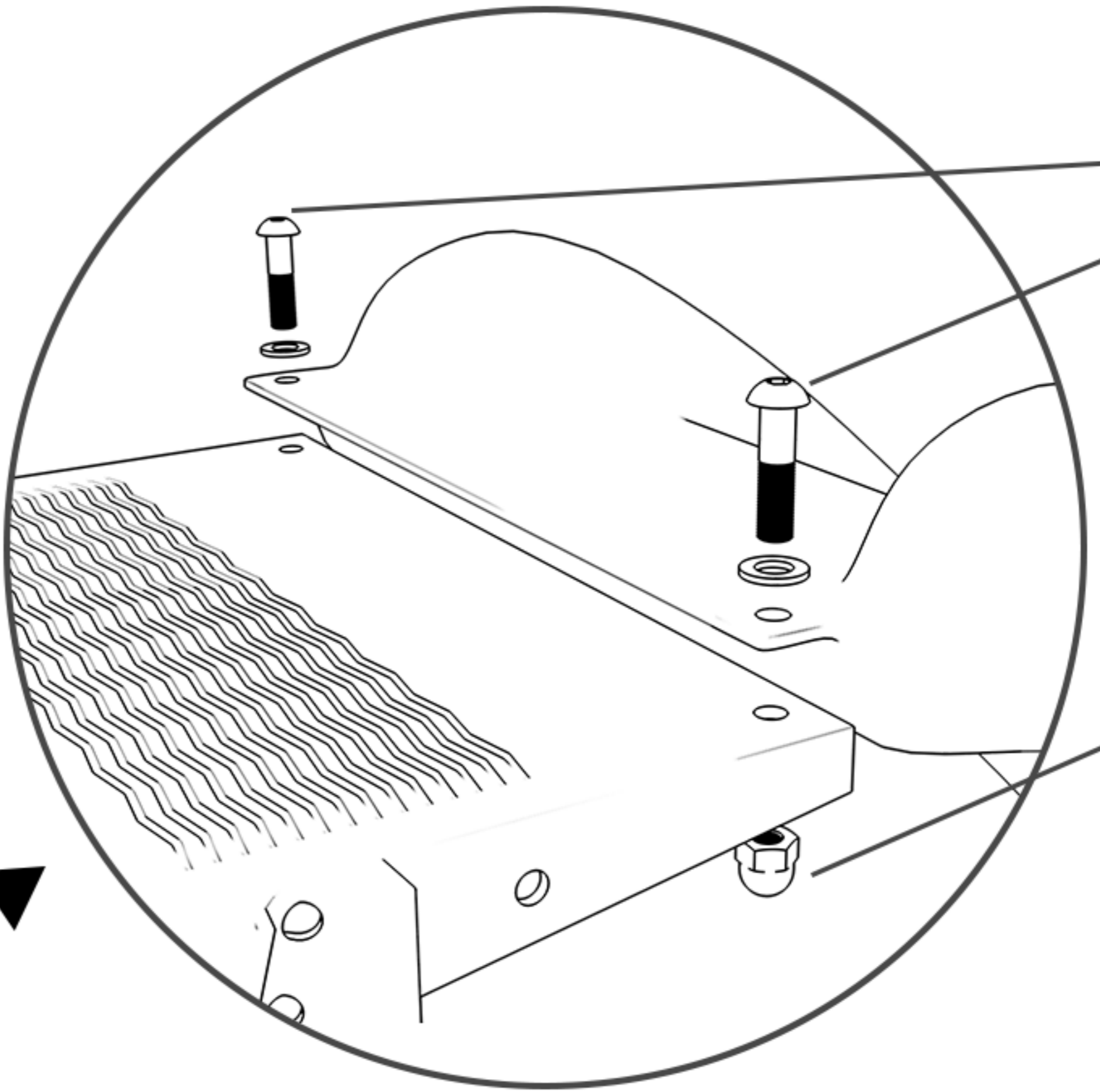
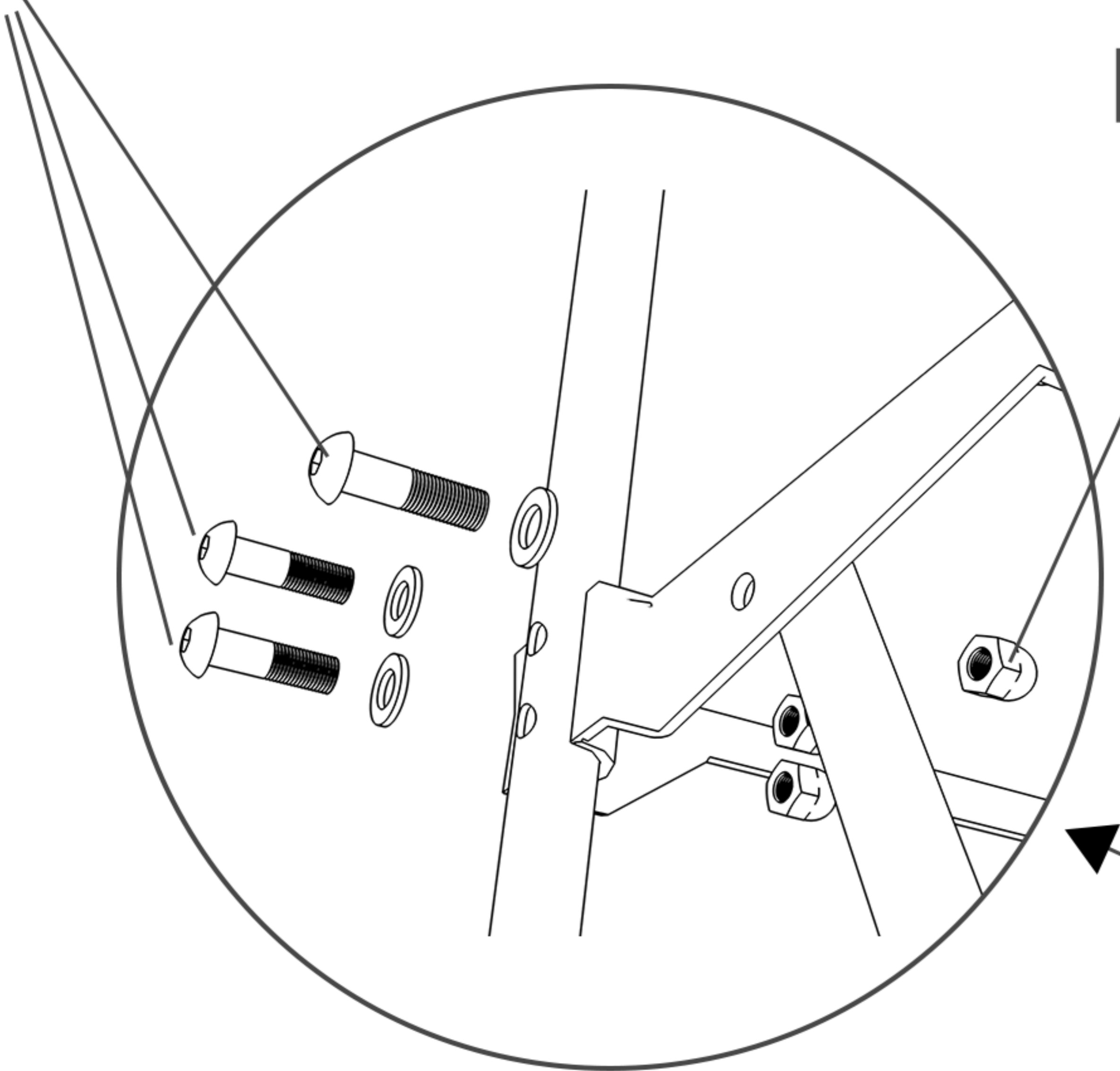
M6 Nuts

M8 Nuts

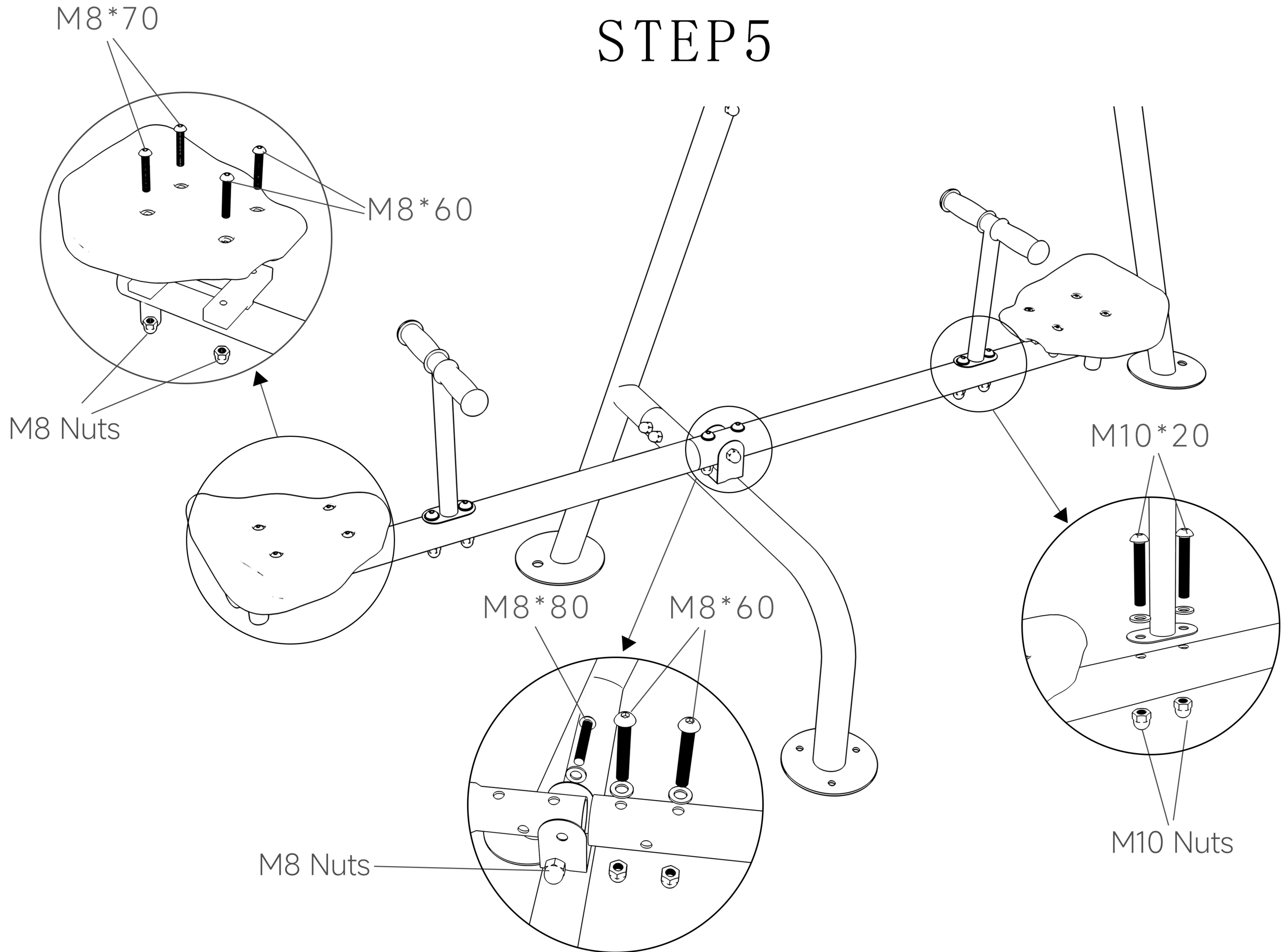
M8\*45

M8 Nuts

M6\*45



# STEP 5





# STEP 6

M12\*55

M12

