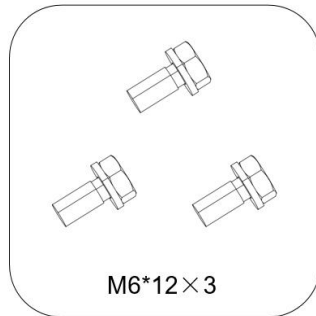
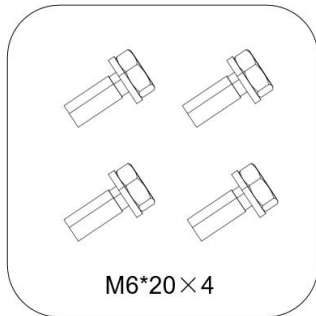


Transformer installation guide

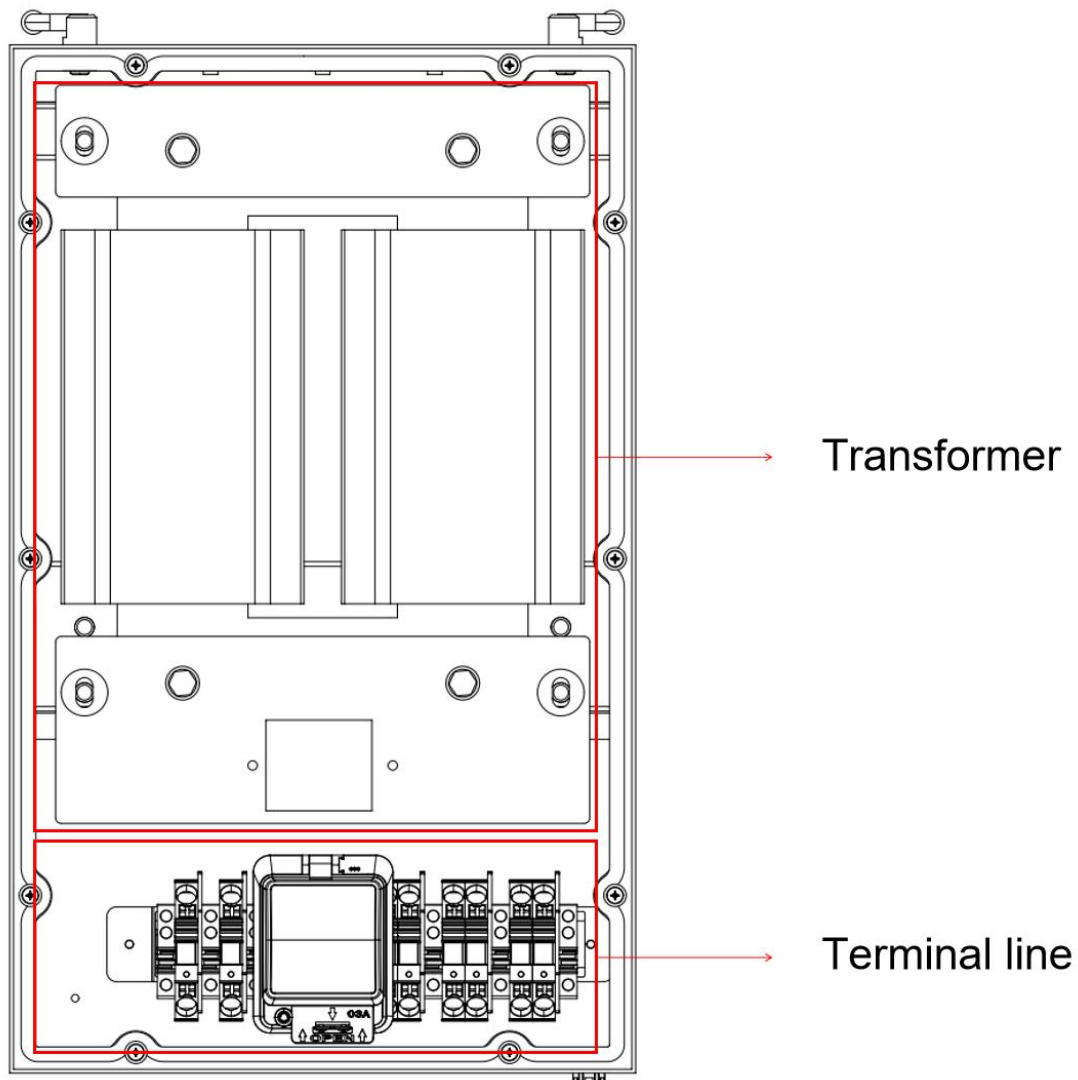
GE-F60-TF-4



1. Part List



2. Internal Structure

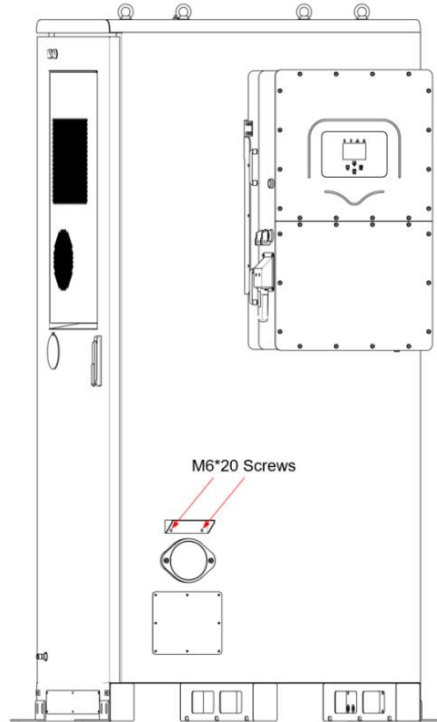


3. Mechanical Installation

1. External mechanical installation of transformer

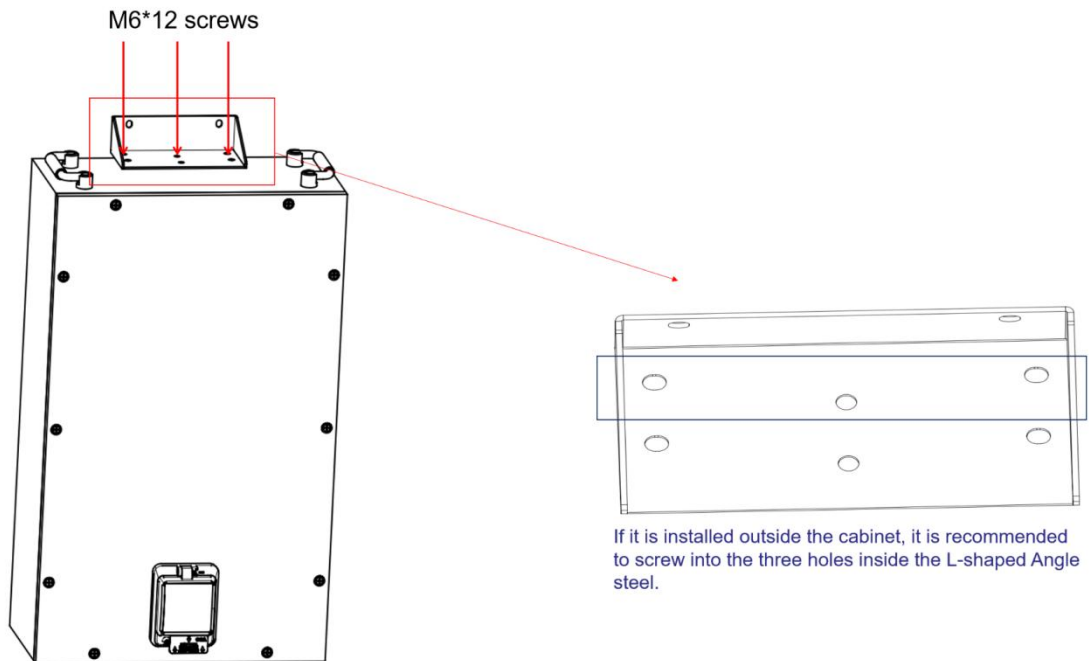
Step ①

Attach the triangle steel bracket onto the wall of cabinet with two screws M6*20.



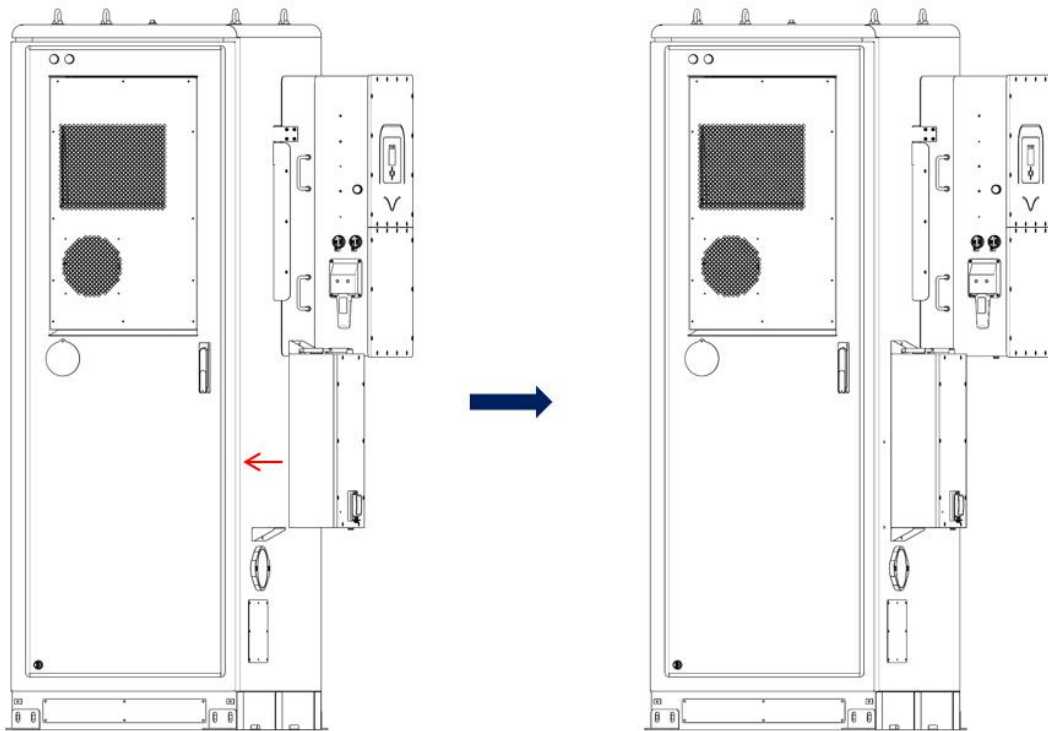
Step ②

Attach the triangle steel bracket on the top of enclosure with three screws M6*12.



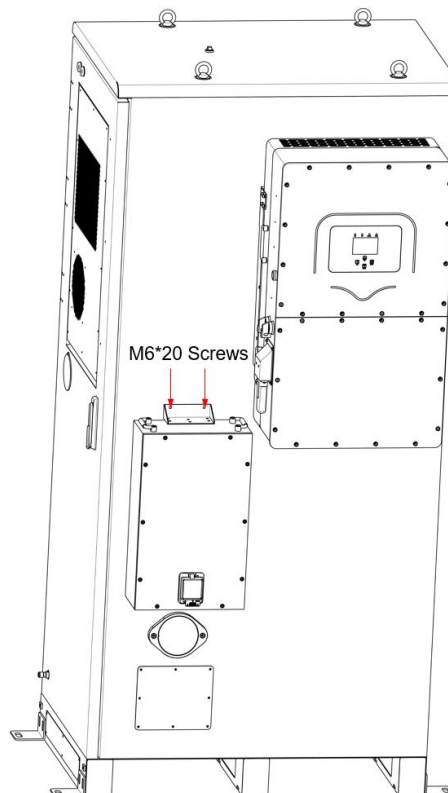
Step ③

Place the transformer above the L-angle steel.

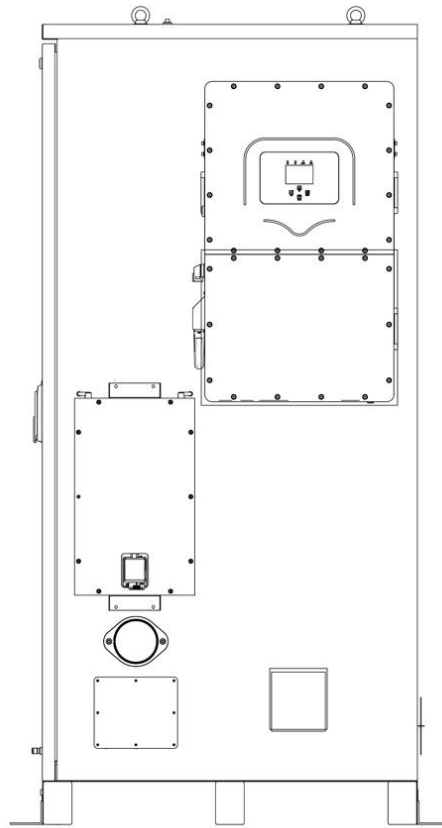


Step ④

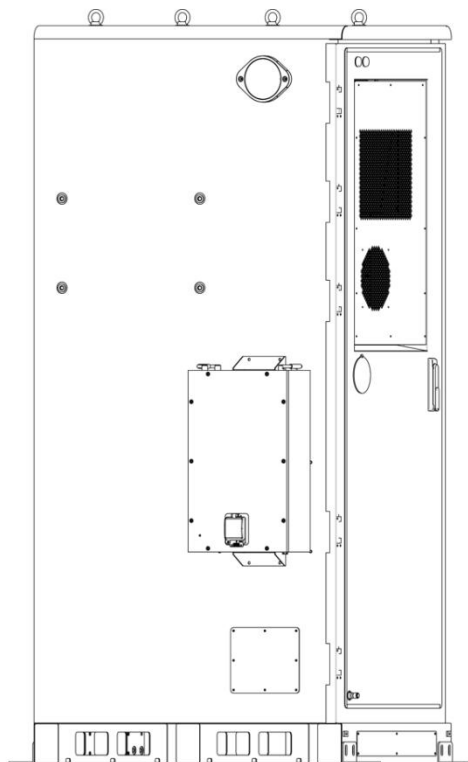
Screw two M6*20 screws into the L-shaped Angle of the cabinet.



Complete installation(Transformers can be installed on the left and right sides of the cabinet. For details on how to install the left transformer, see the right transformer.)



(Right side of cabinet)



(Left side of cabinet)

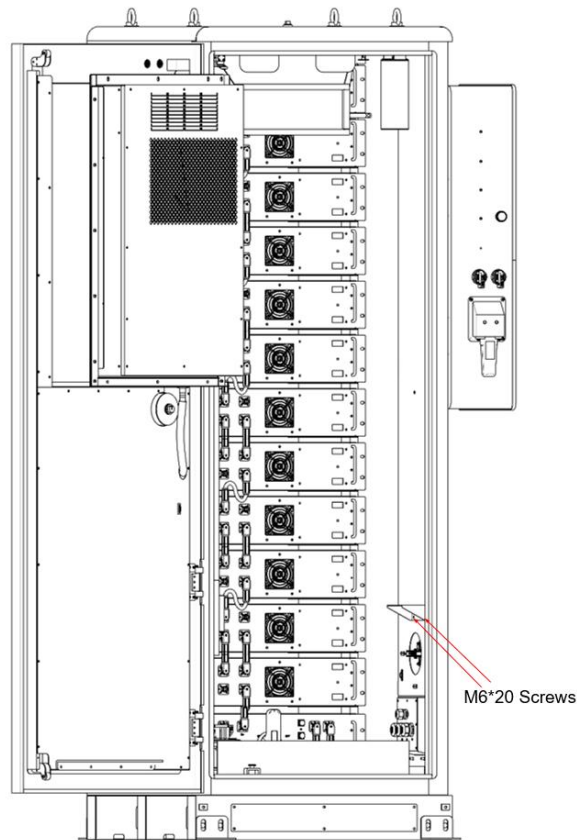


NINGBO DEYE ESS TECHNOLOGY CO., LTD
NO. 18TH ZHENGLONG ROAD LONGHSAN CIXI NINGBO ZHEJIAING 315311 P.R.CHINA
Tel: +86-0574-8622 9263 | E-mail: sales@deye.com.cn

2. Internal mechanical installation of transformer

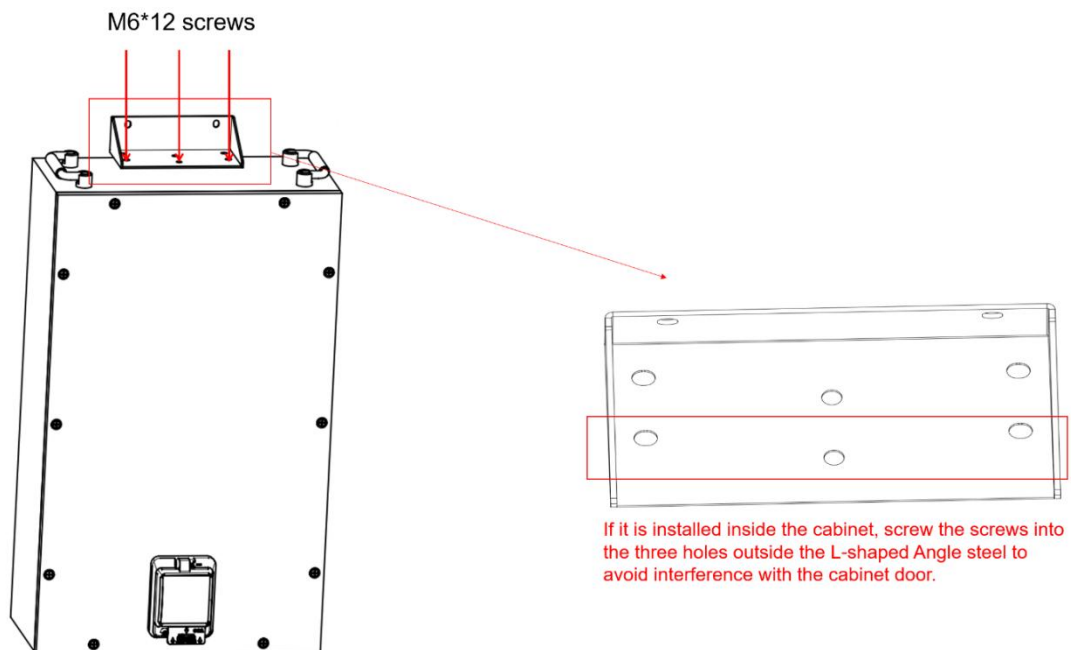
Step ①

Attach the triangle steel bracket onto the wall of cabinet with two screws M6*20.



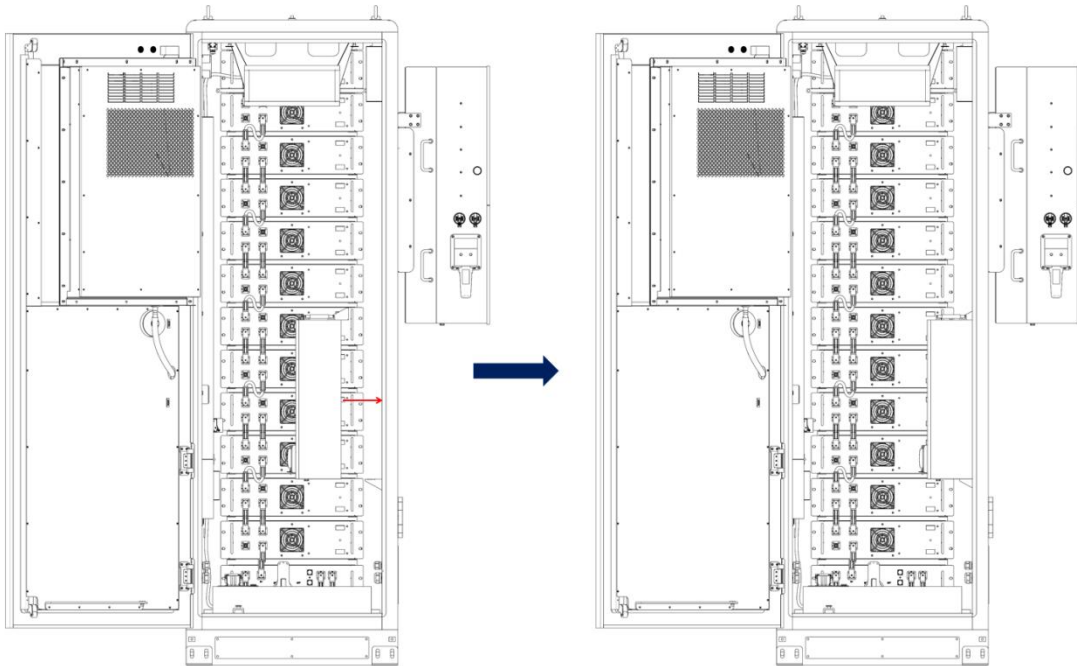
Step ②

Attach the triangle steel bracket on the top of enclosure with three screws M6*12.



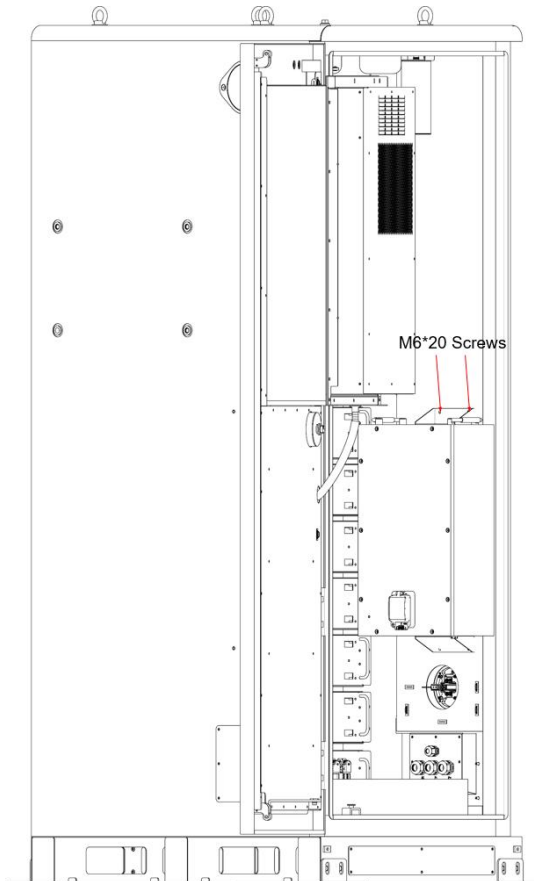
Step ③

Place the transformer above the L-angle steel.

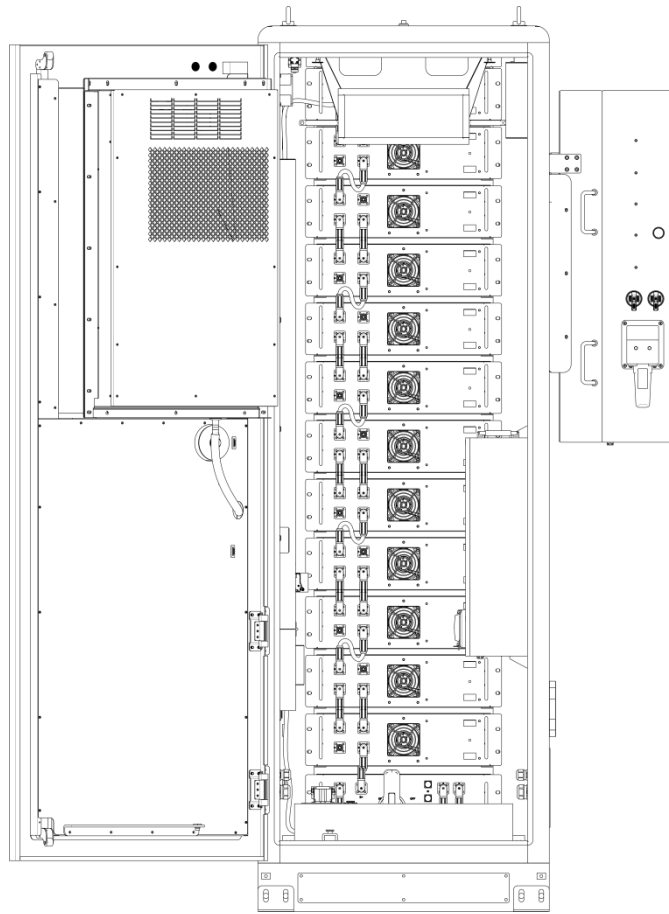


Step ④

Screw two M6*20 screws into the L-shaped Angle of the cabinet.



Complete installation



(Inside of cabinet)

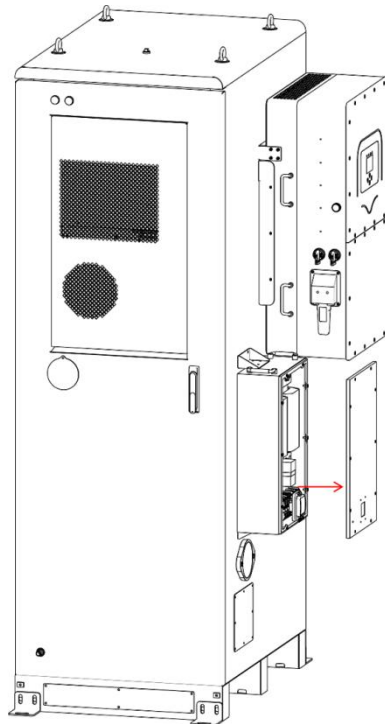


NINGBO DEYE ESS TECHNOLOGY CO., LTD
NO. 18TH ZHENGLONG ROAD LONGHSAN CIXI NINGBO ZHEJIANG 315311 P.R.CHINA
Tel: +86-0574-8622 9263 | E-mail: sales@deye.com.cn

4.Wiring And Installation

Step ①

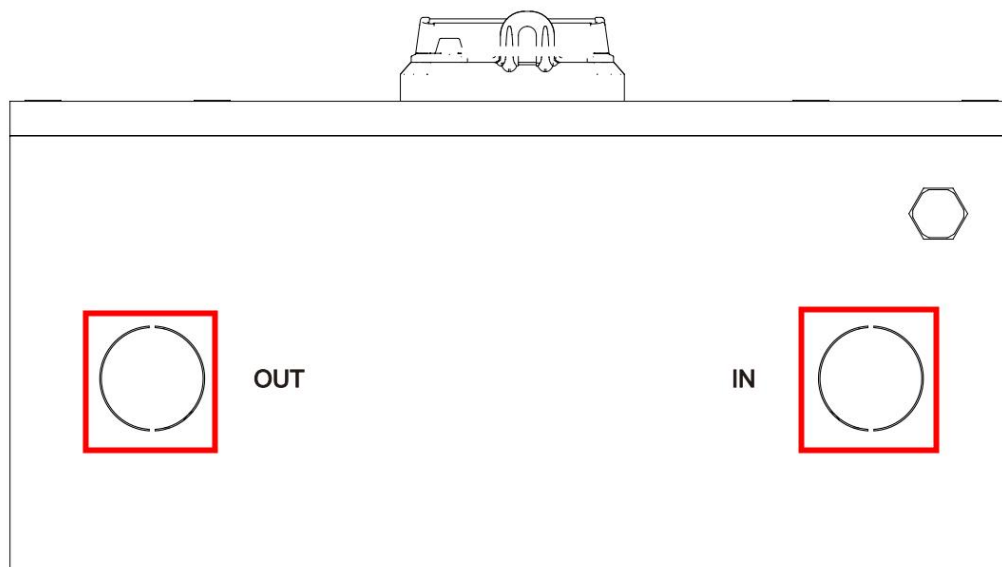
Remove the cover from the transformer.



Step ②

When you are before wiring, first knock off the transformer bottom IN and OUT of the two sheet metal.

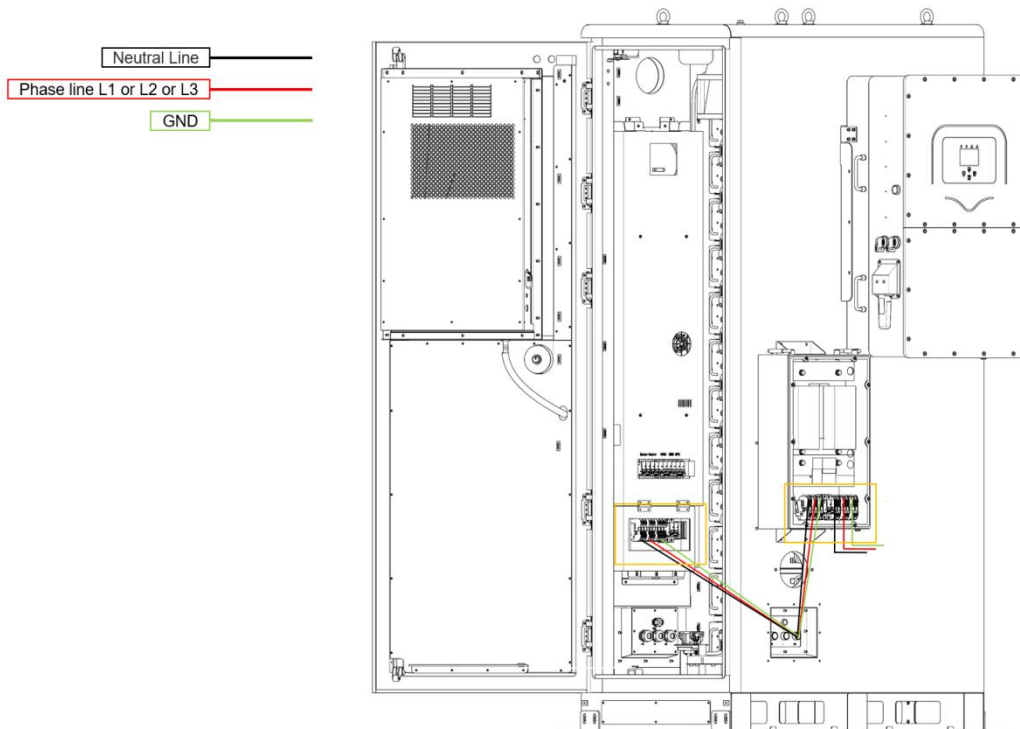
When the transformer is installed outside the cabinet, it is recommended that customers install their own steel heads for the IN and OUT ports. When the transformer is installed inside the cabinet, it is recommended to cover the toothed bushing at the IN and OUT ports to prevent cutting the line.



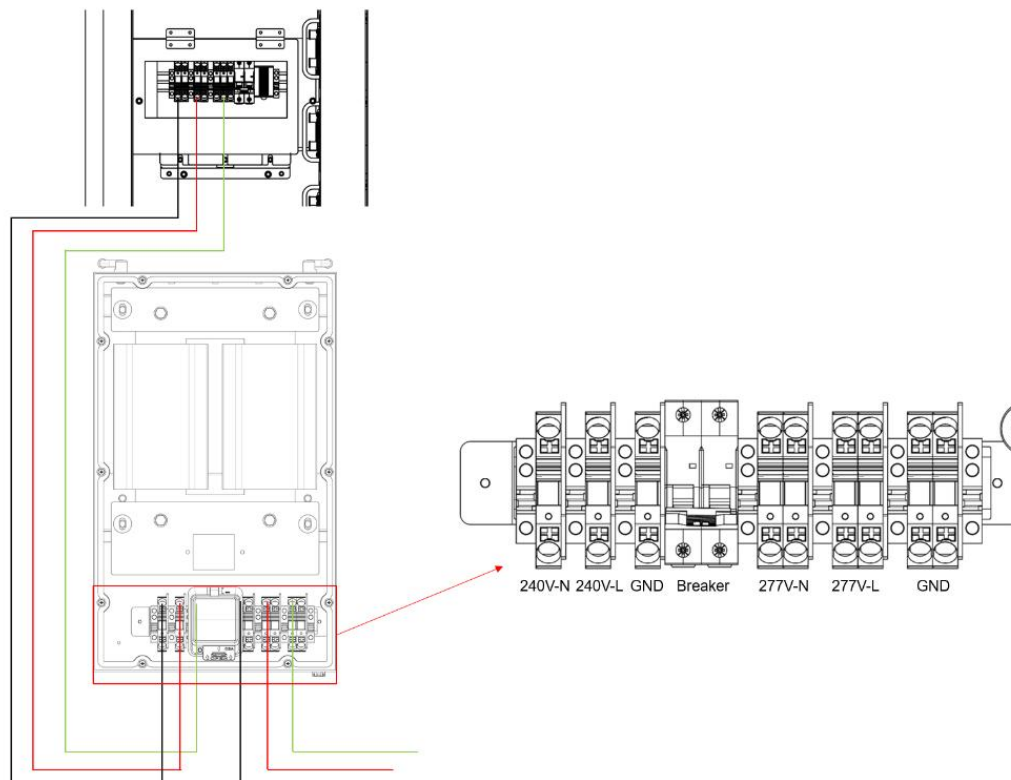
NINGBO DEYE ESS TECHNOLOGY CO., LTD
NO. 18TH ZHENGLONG ROAD LONGHSAN CIXI NINGBO ZHEJIAING 315311 P.R.CHINA
Tel: +86-0574-8622 9263 | E-mail: sales@deye.com.cn

Step ③

The transformer is connected with neutral Line, phase line L1 or L2 or L3 and ground line.
Open the cabinet door and connect the neutral Line, phase line L1 or L2 or L3 and ground line between the cabinet and the transformer.



Refer to the following figure for specific wiring positions.



After connecting the transformer, turn on the breaker to start the transformer.



NINGBO DEYE ESS TECHNOLOGY CO., LTD
NO. 18TH ZHENGLONG ROAD LONGHSAN CIXI NINGBO ZHEJIANG 315311 P.R.CHINA
Tel: +86-0574-8622 9263 | E-mail: sales@deye.com.cn