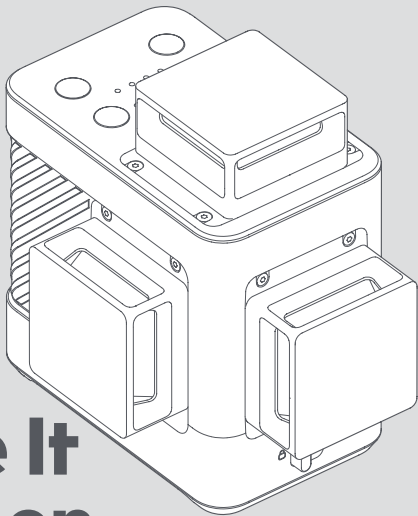


HOTO Laser Level 3*360



**Make It
Happen**





Visit our website for more Cool Tools
(www.hototools.com)

01.Safety Instructions

Warning!

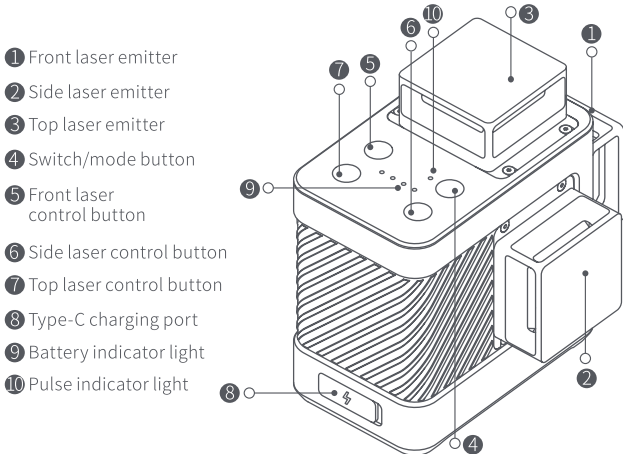
- Please read all safety warnings, instructions, illustrations, and prescriptions in this Manual carefully before using the product.
- Before using the product, please carefully read the safety regulations and instructions for use. Your failure to follow the instructions for use provided in this Manual may cause the product to be damaged, the measurement precision to be affected, or personal injury to the user or others.
- Do not disassemble or repair the product by yourself in any way. Illegal modification or change of the performance of the laser emitter of the product is strictly prohibited.
- Please properly keep the product. Keep the product out of the reach of children, and also prevent it from being used by irrelevant persons.
- Do not expose your own or other people's eyes or other body parts to the laser emitter of the product. Do not expose the highly reflective surface of any object to the laser emitter.
- The electromagnetic radiation of the product may interfere with other equipment or devices. Do not use the product near aircraft or medical equipment. Do not use the product in inflammable or explosive environments.
- Used batteries removed from the product cannot be discarded together with household garbage. So as the product if it is obsolete. Please discard used batteries and the obsolete product according to relevant national or local laws and regulations.
- In case of product quality problems or any questions about the use of the product, please contact your local distributor or manufacturer in time. We will respond immediately.

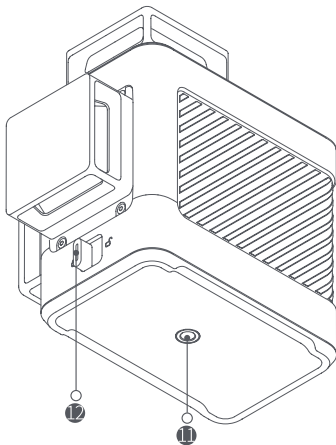
02. Product Description

Please carefully read this Manual before using the product and keep it properly.

Thanks for using HOTO Laser Level 3*360. The product picture is for illustrative purposes only. Please refer to the actual product.

The product can emit visible laser vertically or horizontally. It can be used to mark horizontal or vertical lines on the target surface.



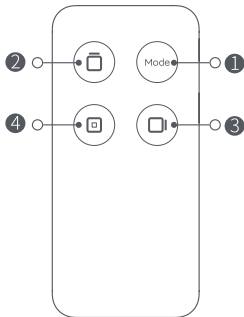


- ① One quarter screw mouth
- ② Movement locking push button

03. Fittings

Remote control × 1, indexer stand × 1, target plate × 1, storage bag × 1, charging cable × 1

Remote control



- ① Mode button
- ② Front laser control button
- ③ Side laser control button
- ④ Top laser control button

04. Instructions for Use

Battery indicator and charging

Battery indicator

75% < Battery ≤ 100%: Four battery indicator lights are on

50% < Battery ≤ 75%: Three battery indicator lights are on

25% < Battery ≤ 50%: Two battery indicator lights are on

Battery ≤ 25%: One battery indicator light is on

Charging

Please fully charge the product before using it for the first time.

Charge the product by connecting it to a 5V USB adapter with a Type-C charger cable.

Charging status:

Battery ≤ 25%: The first battery indicator light flashes

25% < Battery ≤ 50%: The first battery indicator light is long on and the second one flashes

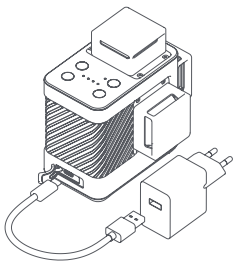
50% < Battery ≤ 75%: The first and second battery indicator lights are long on and the third one flashes

75% < Battery < 100%: The first, second, and third battery indicator lights are long on and the fourth one flashes

When the battery level reaches 100%, the indicator remains on for 3 minutes and then goes off.

Tips

The product can be used normally during charging. Please buy a safe and compliant adapter.

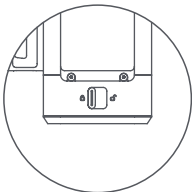


Power on/off with the movement locked

Power on/off

Power on

1. Under the power-off mode, press and hold the "Switch/mode button" for 1.5s to power on the product with the movement locked.
2. All three lasers are on after the product is powered on, and the lasers can be powered off or back on by using the control buttons corresponding to the lasers.
3. Short press the "Switch/mode button" to switch the laser full bright mode and pulse mode.



Power off

1. Under the power-on mode, press and hold the "Switch/mode button" for 1.5s to power off the product with the movement locked. The battery indicator light is off.
2. When the three laser emitters are turned off via the corresponding laser control buttons, the power indicator light automatically goes off after two hours of no operation.

Remark:

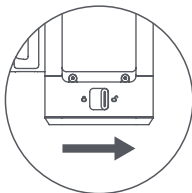
1. The product cannot automatically calibrate for leveling when working with the movement locked.
2. When working with the movement locked, the currently illuminated laser flashes every 7s to alert the user to the current non-leveling state.
3. Under the pulse mode, the pulse indicator light is on synchronously, the laser is a little darker than the full bright mode, and the product can be used with a laser receiver (supports 10K frequency).

Power on/off with the movement unlocked

Toggle the "Movement locking push button" to unlock the movement

Power on

1. Toggle the "Movement locking push button" to unlock the movement and power on the product with the movement unlocked.
2. All three lasers are on after the product is powered on, and the lasers can be powered off or back on by using the control buttons corresponding to the lasers.
3. Short press the "Switch/mode button" to switch the laser full bright mode and pulse mode.



Power off

1. Movement unlock & laser off: Press and hold the "Switch/mode button" for 1.5s to turn off all the lasers currently working, but the power indicator light remains on as a reminder.
2. Movement lock & laser off: Toggle the "Movement locking push button" to lock the movement and enter the full shutdown state, laser and power indicator lights off.

Remark:

When working with the movement unlocked, if the product tilts over $3^{\circ} \pm 1^{\circ}$, i.e., beyond the automatic leveling angle, an alarm will be issued.

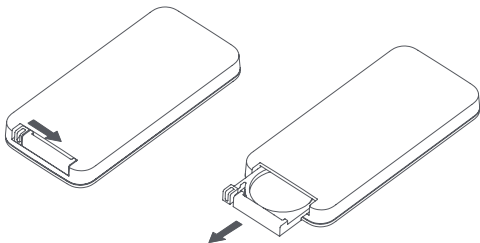
1. If all three lasers are off, they will flash until the product's automatic leveling angle returns to its normal range.
2. If there is a laser on, the current laser flashes as an alarm until the product's automatic leveling angle returns to its normal range.

Remote control use

The remote control needs to be used when the main unit is on

- 1.If the remote control cannot control the main unit, please complete the pairing between the remote control and the main unit. Pairing method: Press and hold the "top laser control button" on the product and the remote control at the same time for 2 seconds under the power-on state to re-connect with the main unit.
- 2.The "Front laser control button", "Side laser control button" and "Top laser control buttons" on the remote control are the same as the corresponding buttons on the main unit.
- 3.The "Mode button" on the remote control can be short pressed to switch between full bright mode and pulse mode, while it can not be long pressed to control power on/off.

Note: Push the left slider to the right and then pull it out to remove the battery compartment. Please use the CR2025 battery.

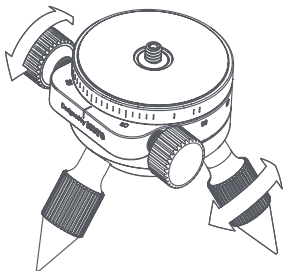


Use of indexer stand

The indexer stand is used after connecting the main unit through the 1/4 screw holes.

In case of uneven ground, rotate metal stand to adjust the leveling of the body;
In case of fine adjustment to the vertical line orientation, rotate the horizontal angle knob to accurately position the vertical line.

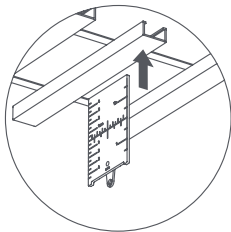
Note: The bottom of the indexer stand is reserved with a 3/8 screw port, which can be used to connect the tripod for use.



Use of target plate

The target plate can be attached to the surface of ferrous objects with the self-contained magnet, and is suitable for channel leveling.

The surface of the target plate is marked with a heart and a scale to make the laser positioning more accurate.



05. Precautions

- This product is not a toy and is not intended for use by children, Recommended for users over 16 years old.
- Please pay attention to the laser and protect your eyes during use.
- Do not keep the product at a temperature below -10°C or above 45°C , because overcooling or overheating will shorten the product's life of service and damage the built-in battery.
- If the product is left idle for long, its battery may be damaged. Please charge the product at least every three months.
- Please power off the product immediately if it generates a strange noise or overheats when working.
- Please use the product in a dry and clean environment, as mud and dust intrusion may lead to product damage.
- When the product is out of order, try turning it off and then on again. If the product does not return to normal, please contact customer service.
- Please use the adapter that in compliance with the input parameter, in combination with a compliant charging cable, to charge the product. Failure caused by charging in breach of the above requirements is not covered by the warranty.
- Make sure that the movement of the product is in a locked state while it is being carried and transported to ensure the laser accuracy of the product for long-term use.

LASER RADIATION
DO NOT STARE INTO BEAM
CLASS 2 LASER PRODUCT
Maximum output of laser radiation $< 1 \text{ mW}$
wavelength 630–680 nm
IEC 60825–1:2014; EN 60825–1:2014



06. Battery

- Only batteries approved by the manufacturer are allowed. Replacing the battery with the wrong type may void the safety protection and pose a risk of explosion, fire, etc.
- Please do not place the battery in extremely hot environments, such as sunshine, fire, microwave oven, and oven. Otherwise, explosions or flammable liquid or gas leakages may be caused.
- Please do not disassemble, hit, crush, or cut the battery. Otherwise, explosions may be caused.
- Please do not place the battery at extremely low air pressure. Otherwise, the battery may explode, or the flammable liquid and gas may leak.
- Please do not use the product if its battery severely swells.
- Do not swallow the battery as this may cause chemical burns.
- If you think the battery may have been swallowed or placed inside any part of your body, seek immediate medical attention.
- If the battery compartment is not securely closed, stop using the product and keep it away from children.
- Keep children away from new and used batteries.
- Please do not discard used batteries together with household garbage. Please discard used batteries according to relevant national laws and regulations.

07. Troubleshooting

Fault	Troubleshooting
Power-on failure	Turn on the product after it is fully charged.
Laser flicker	Please place the product horizontally and keep the tilt no more than 3°.
Low laser brightness	Confirm whether the product laser is in pulse mode.

Notes for packaging

The packaging materials are recyclable. Please dispose of packaging in an environmentally friendly manner.

08. Basic Parameters

Product name: HOTO Laser Level 3*360

Product model: QWFGJ002

Product dimensions: Approx. 127 X 123 X 87mm (excluding the fittings)
Approx. 5 x 4.85 x 3.43 in (excluding the fittings)

Net weight of the product: Approx. 600g (Approx. 1.32 lb)

Laser range: 3*360°

Laser distance: 15m on one side, and 30m on both sides in total
49.2 ft on one side, and 92.43 ft on both sides in total

Laser accuracy: $\pm 1.5\text{mm}$ (5m in distance), $\pm 3\text{mm}$ (10m in distance)
 $\pm 0.059\text{ in}$ (16.4 ft in distance), $\pm 0.11\text{ in}$ (32.8 ft in distance)

Automatic leveling angle: $3^\circ \pm 1^\circ$

Battery life: 6.5h (3-laser full bright mode), 13h (3-laser pulse mode)

Remote control distance: Approx. 12m (39.37 ft)

Storage temperature: -10°C - 45°C

Operating temperature: 0°C - 45°C

Battery capacity: 5200mAh

Rated voltage: 3.7V 

Input: 5V  1A

Battery type: Lithium-ion battery


Charging time: Approx. 5.5h

09. Regulatory Compliance Information

Europe — EU declaration of conformity

 We, Shanghai HOTO Technology Co., Ltd., hereby, declare that this equipment is in compliance with the applicable Directives and European Norms, and amendments.

Disposal and recycling information

 All products bearing this symbol are waste electrical and electronic equipment (WEEE as in directive 2012/19/EU) which should not be mixed with unsorted household waste. Instead, you should protect human health and the environment by handing over your waste equipment to a designated collection point for the recycling of waste electrical and electronic equipment, appointed by the government or local authorities. Correct disposal and recycling will help prevent potential negative consequences to the environment and human health. Please contact the installer or local authorities for more information about the location as well as terms and conditions of such collection points.

Federal Communications Commission Supplier' s Declaration of Conformity

This supplier' s declaration of conformity is hereby for
We declare that the above mentioned device has been tested and found in compliance with CFR 47 Part 15 Regulation.
Product: HOTO Laser Level 3*360
Number(s): QWFGJ002
Brand/Trade: HOTO

We declare that the above mentioned device has been tested and found in compliance with CFR 47 Part 15 Regulation. This device complies with part 15 of the FCC Rules. Operation is subject to the following two conditions: (1) This device may not cause harmful interference, and (2) this device must accept any interference received, including interference that may cause undesired operation.

However, there is no guarantee that interference will not occur in a particular installation. If this equipment does cause harmful interference to radio or television reception, which can be determined by turning the equipment off and on, the user is encouraged to try to correct the interference by one or more of the following

measures:

Reorient or relocate the receiving antenna.

Increase the separation between the equipment and receiver.

Connect the equipment into an outlet on a circuit different from that to which the receiver is connected.

Consult the dealer or an experienced radio/TV technician for help.

Representative of Responsible Party for SDoC

Company: HOTO (US) TECHNOLOGY CO LTD

Address: 919 North Market Street, Suite 950, Wilmington DE 19801

Country: U.S.A.

Customer Service(US): +1 855-577-2659

Mon-Fri 9:00 am - 5:00 pm(CST)

This device contains licence-exempt transmitter(s)/receiver(s) that comply with Innovation, Science and Economic Development Canada's licence-exempt RSS(s). Operation is subject to the following two conditions:

1. This device may not cause interference.
2. This device must accept any interference, including interference that may cause undesired operation of the device.

FCC Warning:

Any changes or modifications not expressly approved by the party responsible for compliance could void the user's authority to operate the equipment. This equipment complies with RF radiation exposure limits set forth for an uncontrolled environment.

IC Warning:

English:

This device complies with Industry Canada licence-exempt RSS standard(s). Operation is subject to the following two conditions: (1) This device may not cause interference, and (2) This device must accept any interference, including interference that may cause undesired operation of the device.

French:

Le présent appareil est conforme aux CNR d'Industrie Canada applicables aux appareils radio exempts de licence. L'exploitation est autorisée aux deux conditions suivantes:

- (1) l'appareil ne doit pas produire de brouillage, et
- (2) l'utilisateur de l'appareil doit accepter tout brouillage radioélectrique subi, même si le brouillage est susceptible d'en compromettre le fonctionnement.

Note: This equipment has been tested and found to comply with the limits for a Class B digital device, pursuant to part 15 of the FCC Rules. These limits are designed to provide reasonable protection against harmful interference in a residential installation. This equipment generates, uses and can radiate radio frequency energy and, if not installed and used in accordance with the instructions, may cause harmful interference to radio communications.

DECLARATION OF CONFORMITY



EU Declaration of Conformity

We

Shanghai HOTO Technology Co., Ltd.

Declare that the product:

HOTO Laser Level 3*360 / QWFGJ002

Complies with the essential health and safety requirements of the following directives:

2014/30/EU Electromagnetic Compatibility directive References to the following harmonized standard were made:

EN 61326-1

IEC EN 60825EN 62368

EN 301 489-1、EN 300 498-3、EN300 220

EN 62479

2011/65/EU+ (EU) 2015/863 Restrictions of the Use of Certain Hazardous

Substances in Electrical and Electronic Equipment

Authorised signatory and technical file holder:

Shanghai HOTO Technology Co., Ltd.

Building 45, No.50 Moganshan Road, Shanghai, China.

Manufacturer: Shanghai HOTO Technology Co., Ltd.

Address: Building 45, No.50 Moganshan Road, Shanghai, China

Designed by **HOTO**