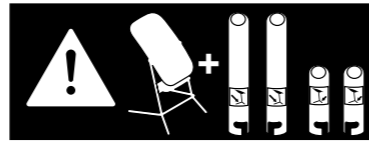
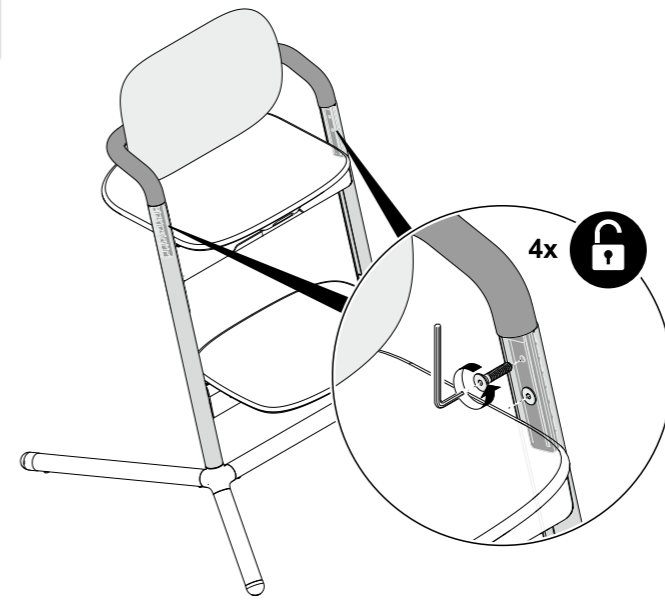


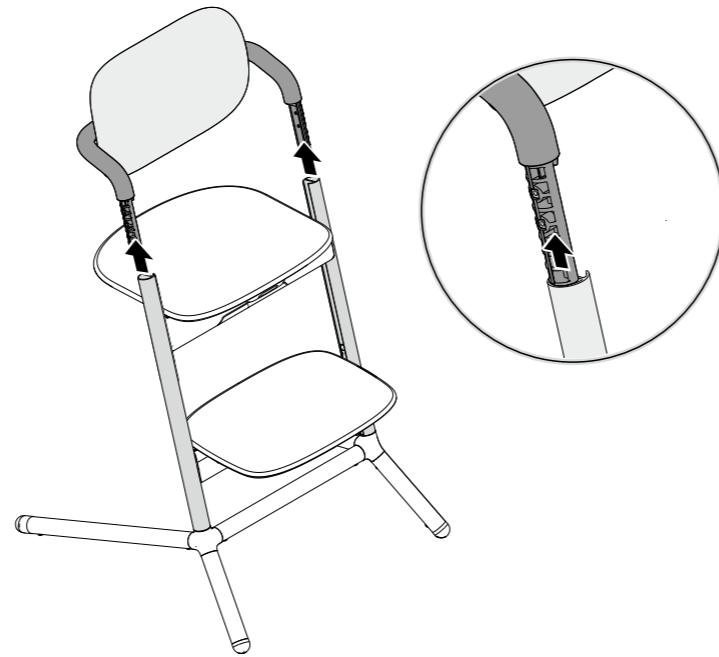
Max. 9 kg  
Max. 20 lbs



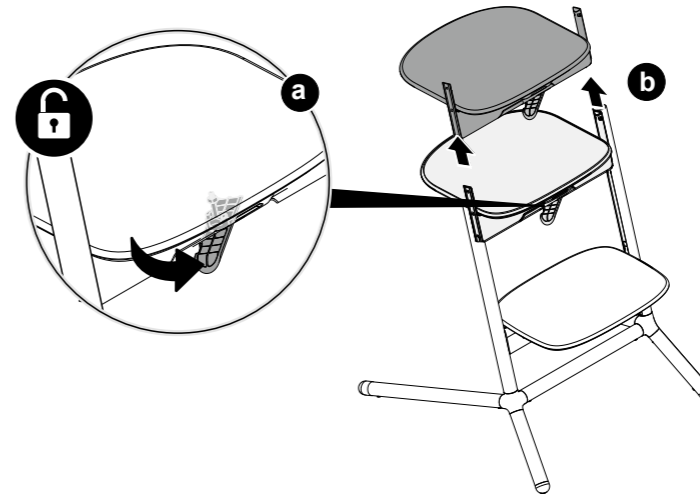
1



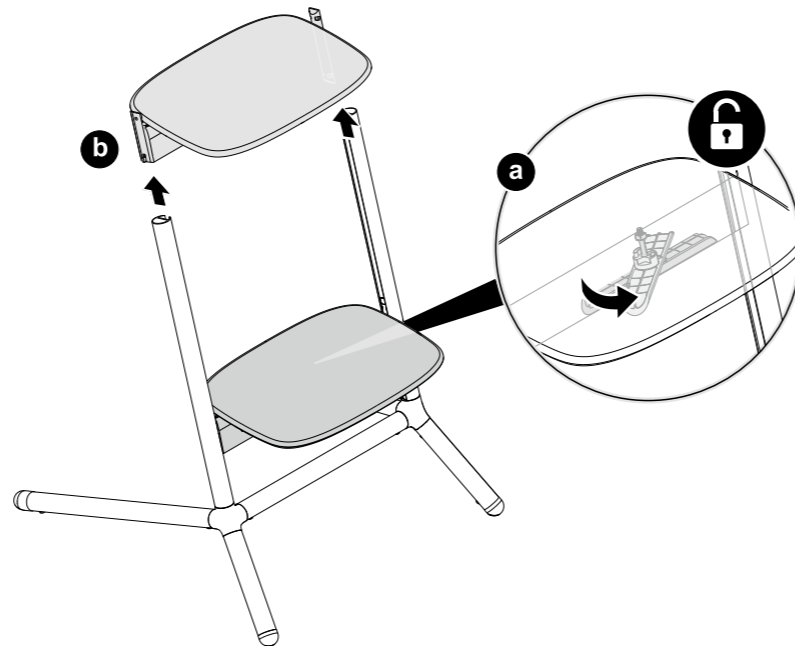
2



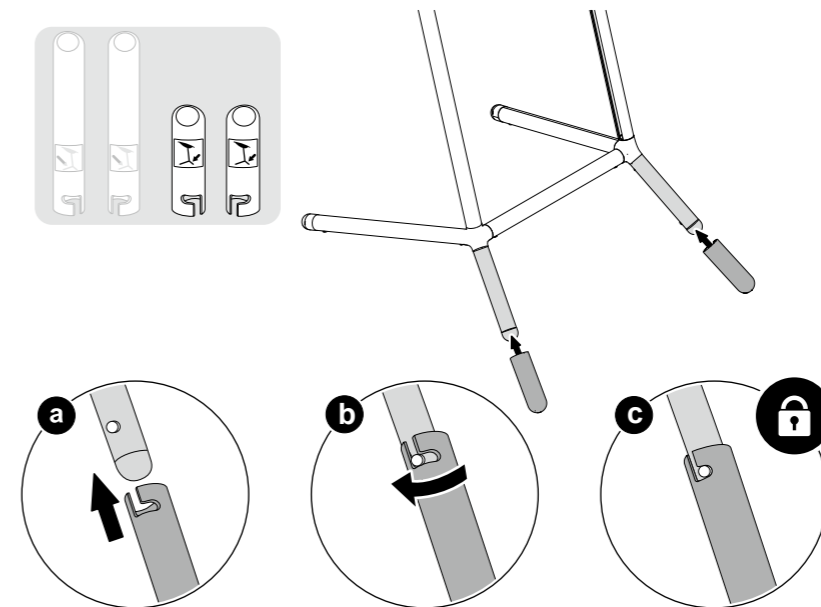
3



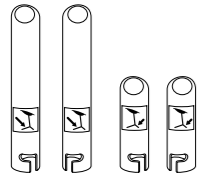
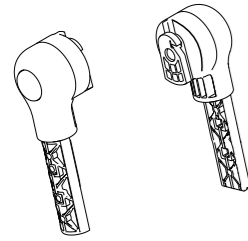
4



5



6



**ADAPTERS**  
**ADAPTER**  
**ADAPTADORES**  
**ADAPTATEURS**  
**ADATTATORI**

LEMO

**EUROPE AND ASIA**

CYBEX GmbH  
Riedingerstraße 18, 95448 Bayreuth, Germany  
+49 (0) 921-78 511 - 0, info@cybex-online.com

**AMERICAS**

Columbus Trading-Partners USA Inc.  
2915 Whitehall Park Drive, Suite 300, Charlotte, NC 28273, USA  
Customer Service: 1-877-242-5676, info.us@cybex-online.com

**CANADA**

Goodbaby Canada Inc.  
2 Robert Speck Parkway, Suite 750  
Mississauga, ON L4Z 1H8, Canada  
Customer Service: 1-877-242-5676, info.us@cybex-online.com

**AUSTRALIA**

Anstel Brands Pty Ltd  
Sunline Drive 36, 3029 Truganina, Victoria, Australia  
Phone: 03 9131 6545, support@anstel.com.au

**NEW ZEALAND**

Anstel Brands Pty Ltd,  
Sunline Drive 36, 3029 Truganina, Victoria, Australia  
Phone: 09 886 0028, support@anstel.com.nz

[cybex-online.com](http://cybex-online.com)



