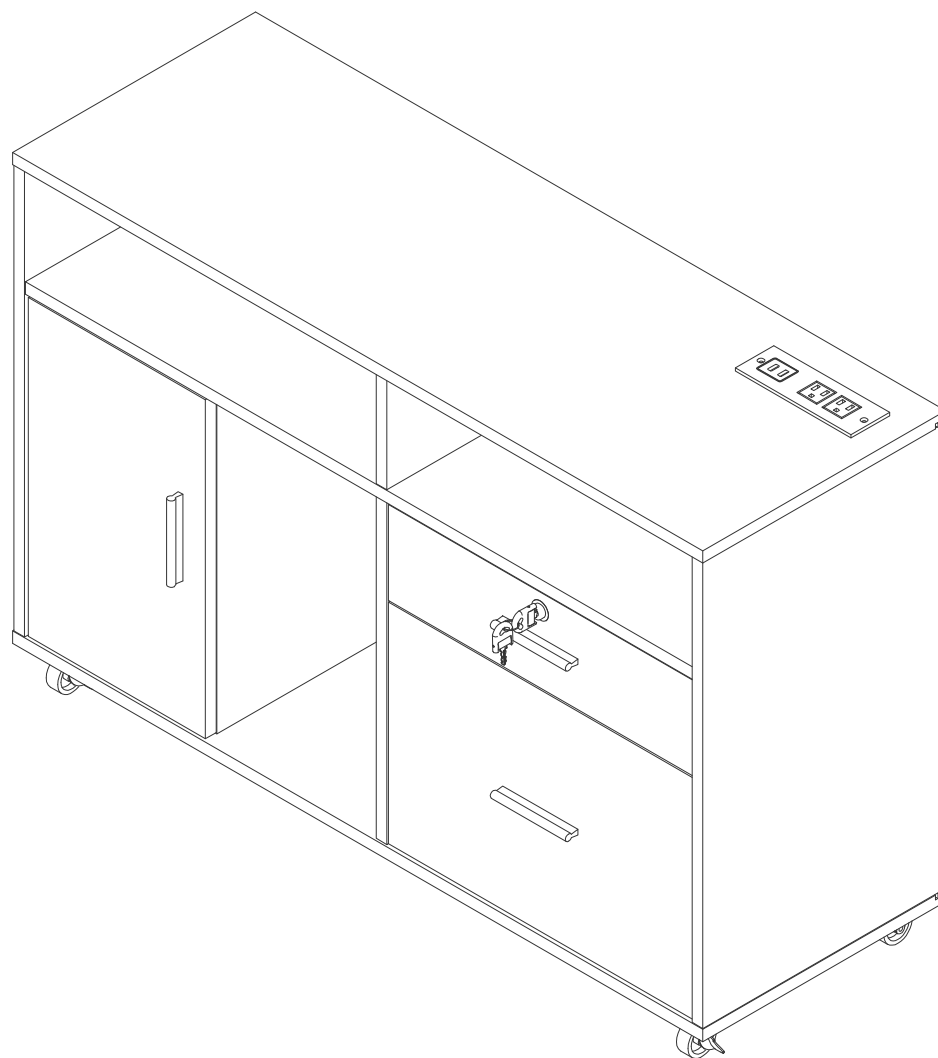


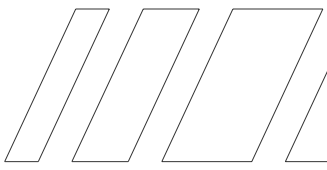
### GZPFK-V1

FTOFWF-6025  
FTOFWF-6026



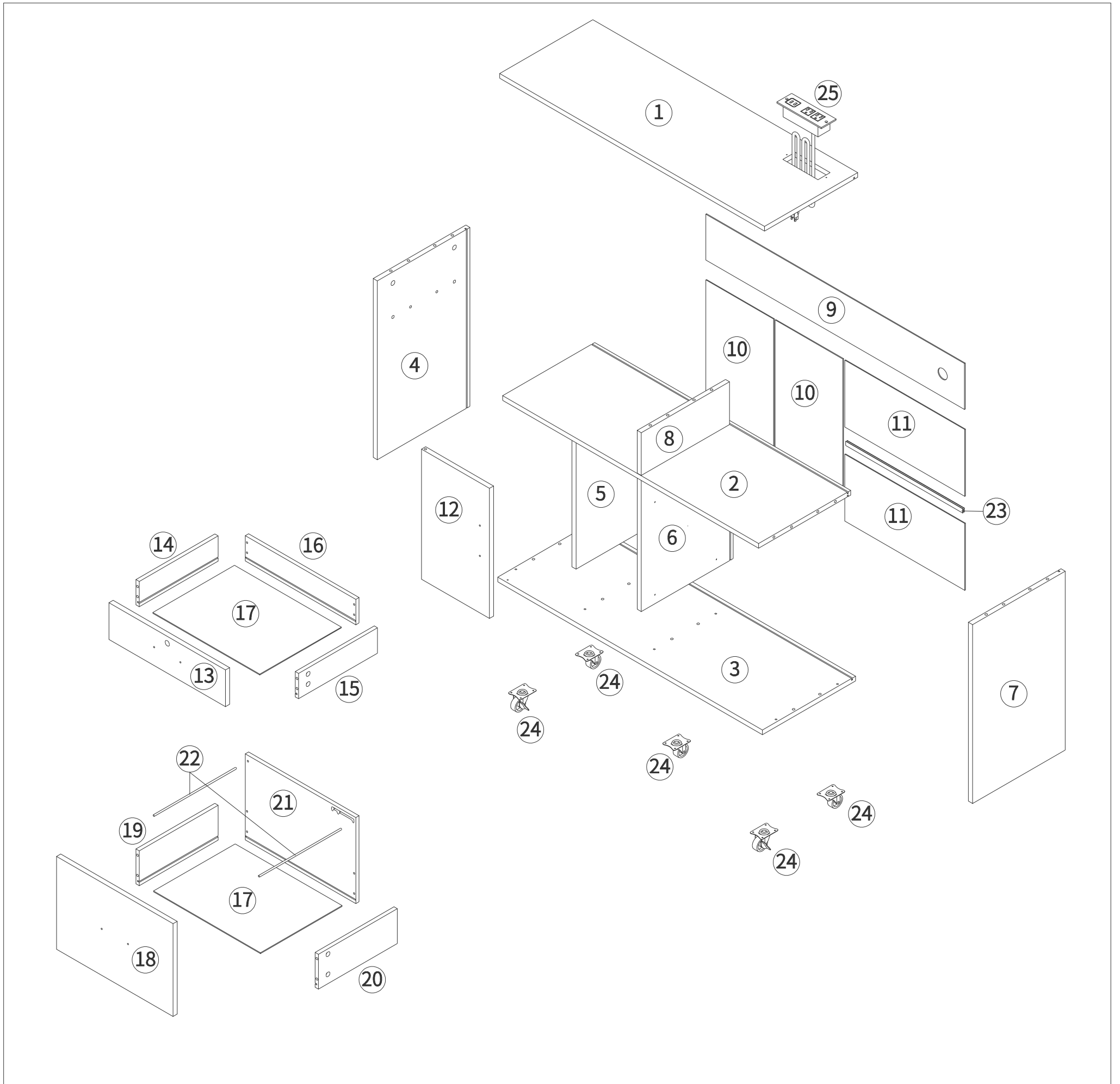
#### Notice:

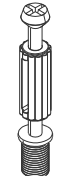
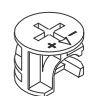



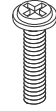
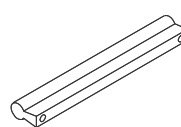
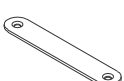
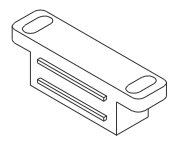

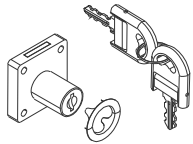
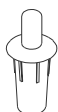

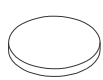
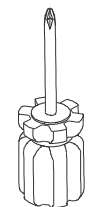
1. Follow the installation instructions. Please confirm all accessories are preset before installation.
2. Do not fully tighten the screws during initial assembly, Fully tighten screws only once all pieces which are correctly assembled.
3. If you encounter any problems during installation, please contact our customer service



# FTOFWF-6025/6026

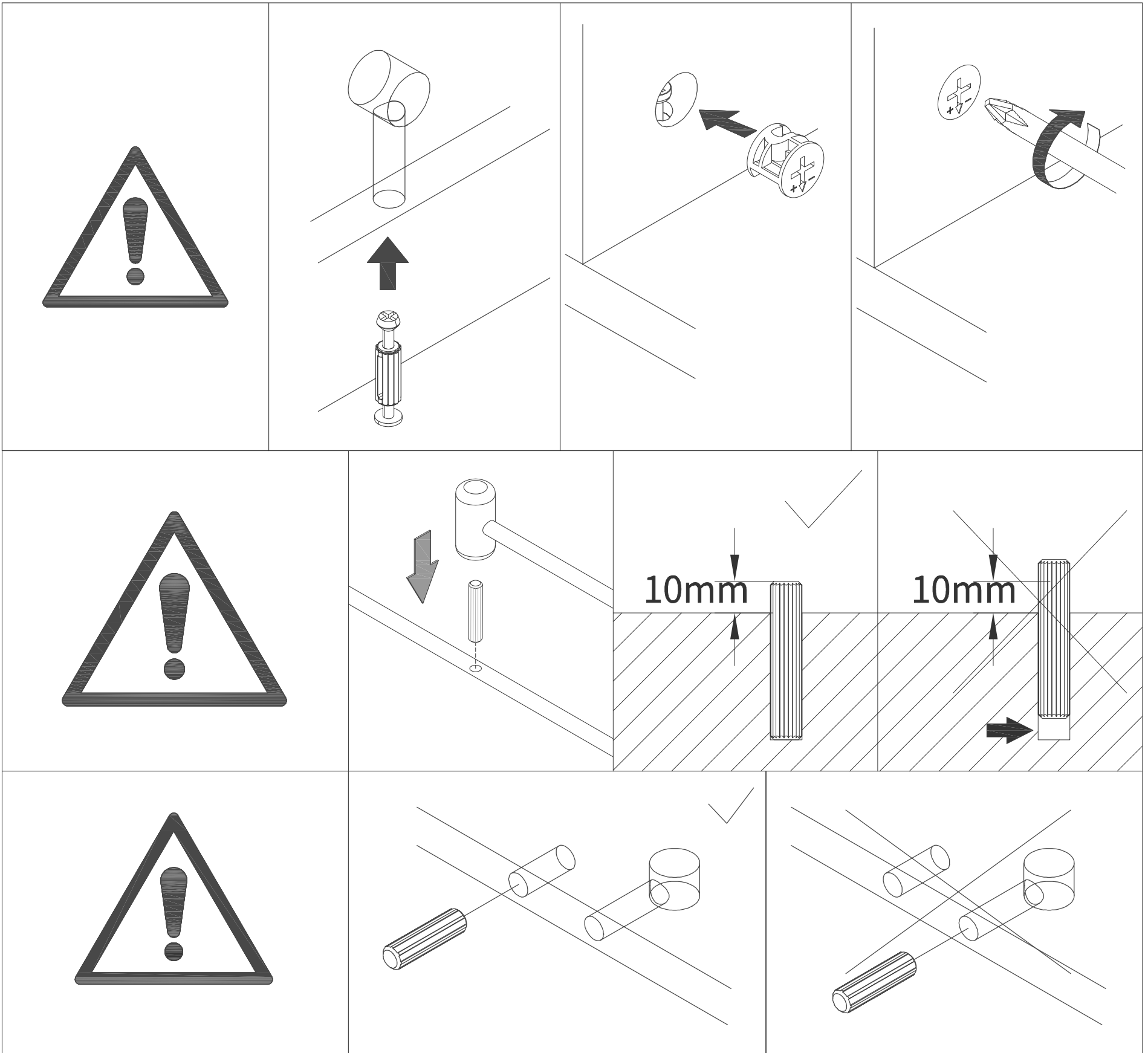
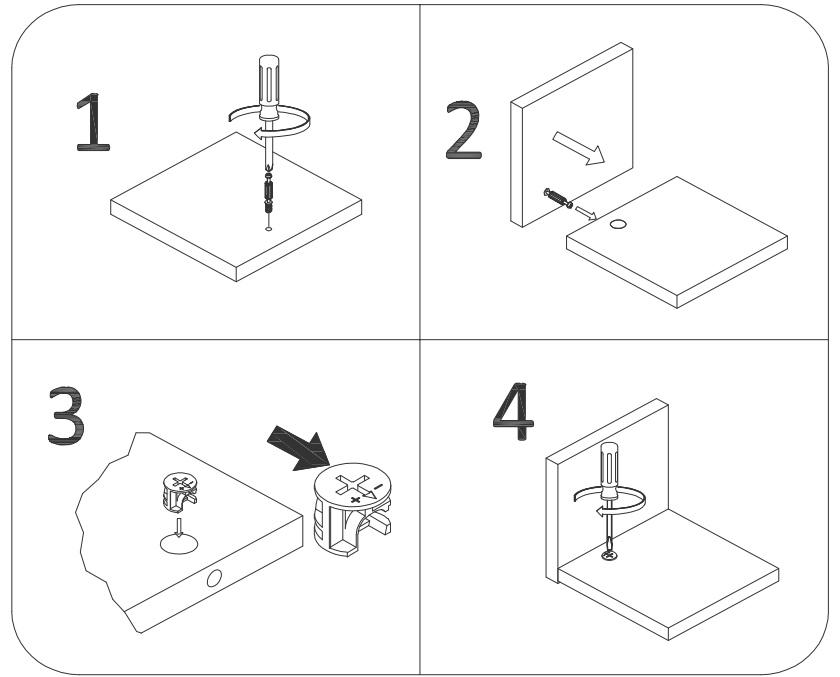
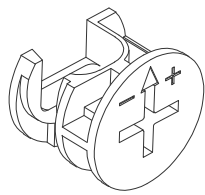
①	②	③	④
⑤	⑥	⑦	⑧
⑨	⑩ x 2	⑪ x 2	⑫
⑬	⑭	⑮	⑯
⑰ x 2	⑱	⑲	⑳
㉑	㉒ x 2	㉓	㉔ 2" x 1 SETS
㉕ 2M	㉖ 12" CL DL DR CR x 2 SETS		



<b>A</b> M6X42  24 PCS	<b>B</b> Ø15X10  24 PCS	<b>C</b> Ø8X40  24PCS	<b>D</b> M5X40  16 PCS	<b>E</b> M3.5X14  34 PCS	<b>F</b> M4X18  6 PCS	<b>G</b>  3 PCS	<b>H</b>  1 PC	<b>I</b>  1 PC
<b>J</b> M3X18  4 PCS	<b>K</b>  1 SET	<b>L</b>  2 PCS	<b>M</b> M3.5X12  8 PCS	<b>N</b>  8 PCS	 1 PC			

## Cam Lock Fastening System

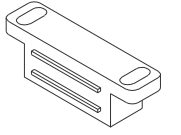
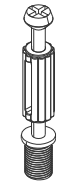
This Cam Lock Fastening System will be used throughout the assembly process



1

**A** M6X42

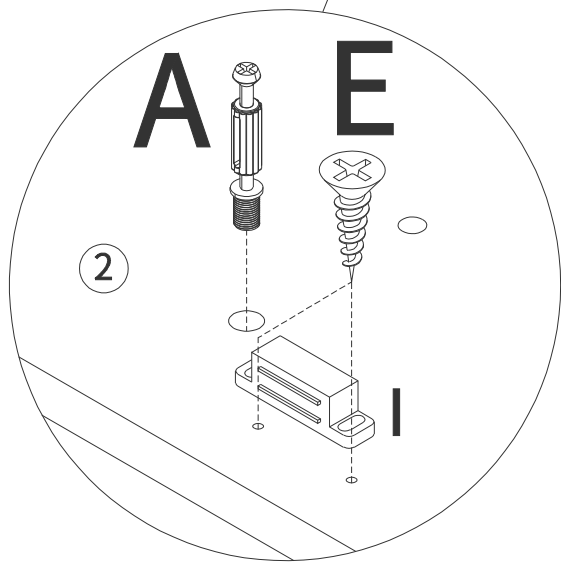
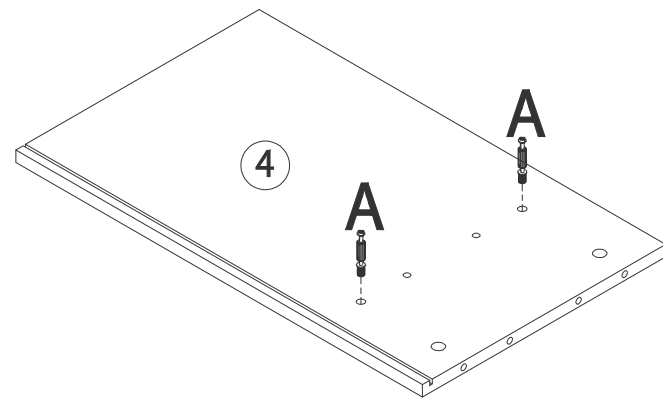
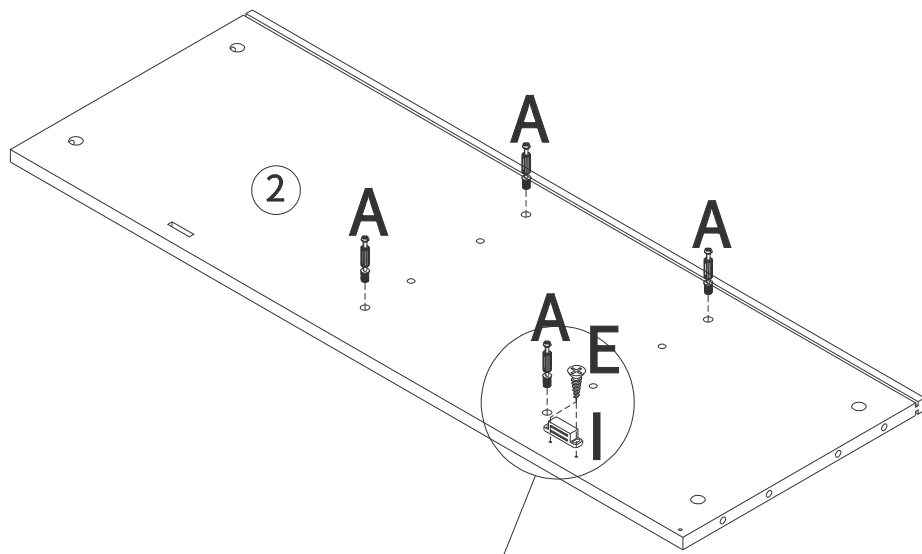
**E** M3.5X14 **I**



6 PCS

2 PCS

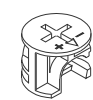
1 PC



2

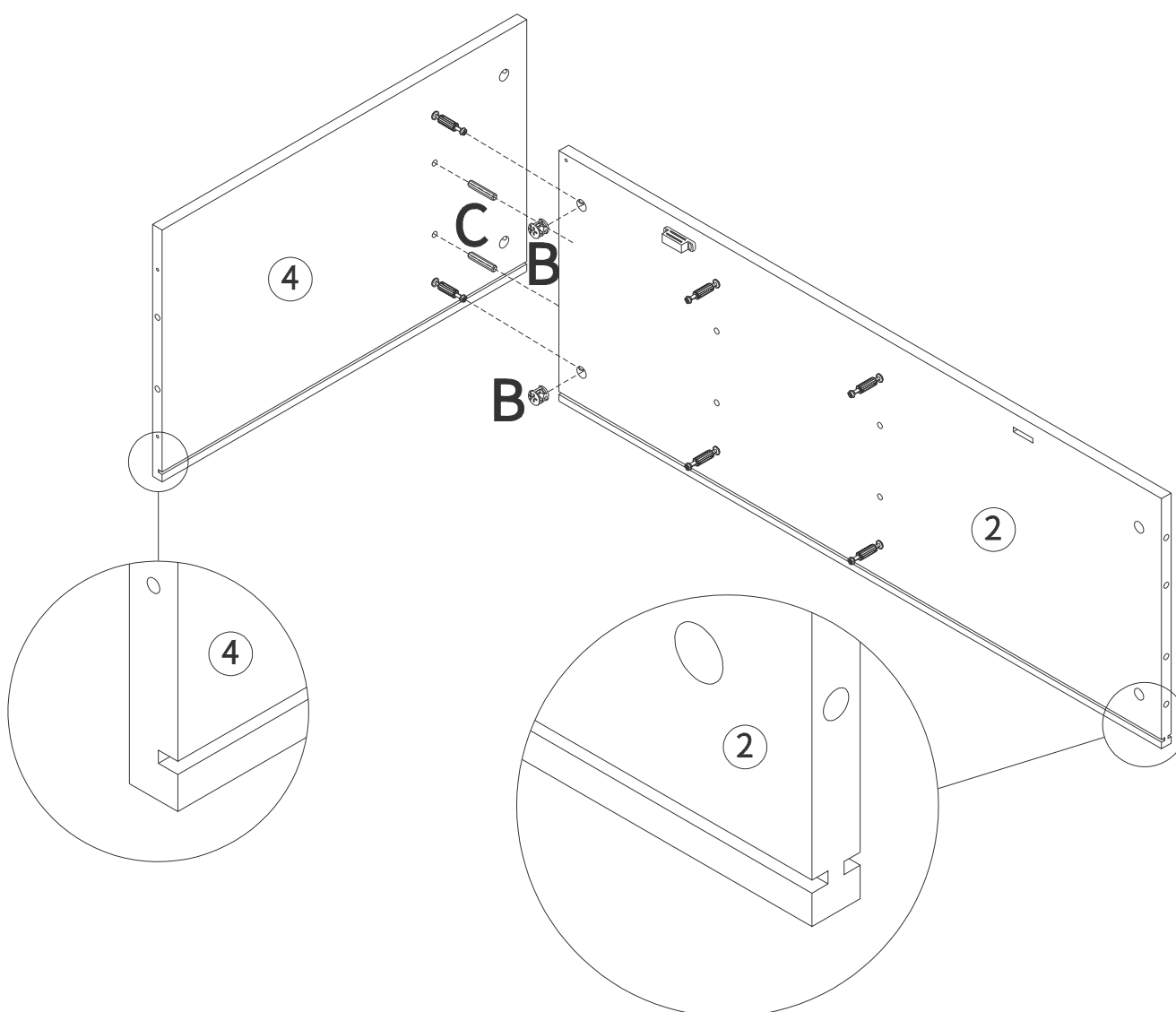
**B** Ø15X10

**C** Ø8X40

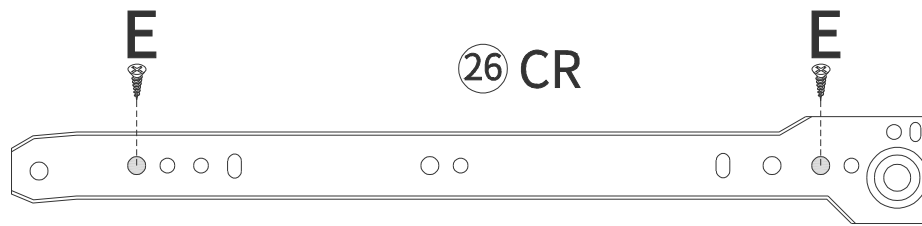


2 PCS

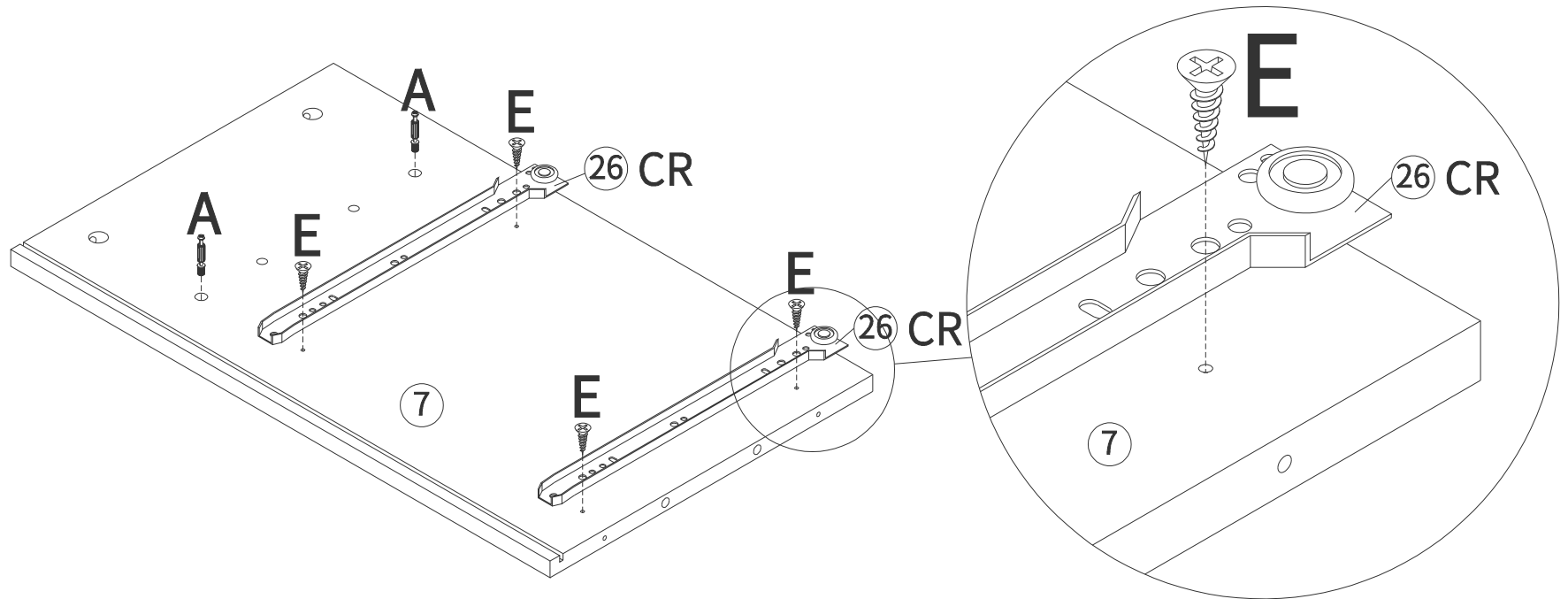
2 PCS



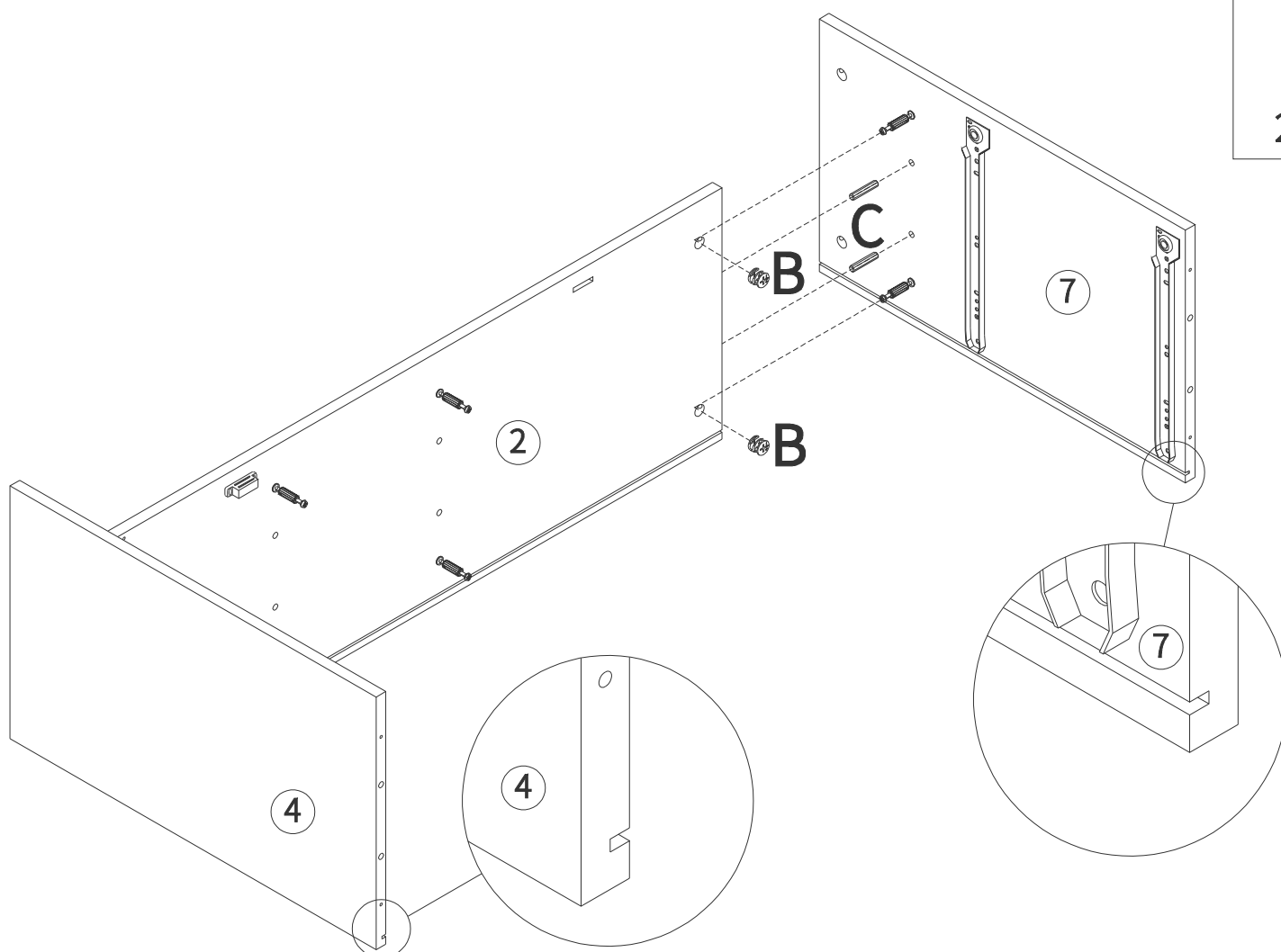
3



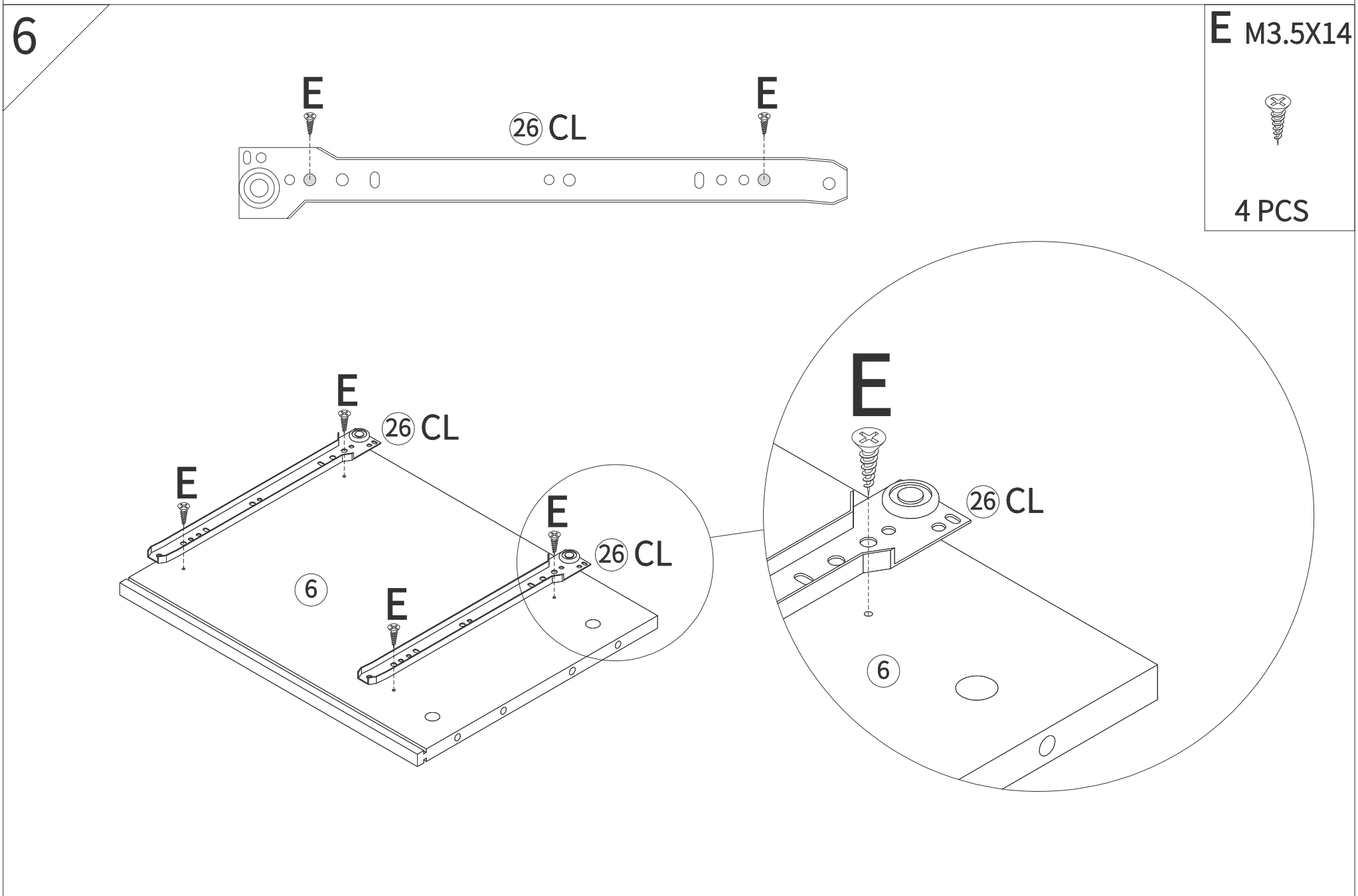
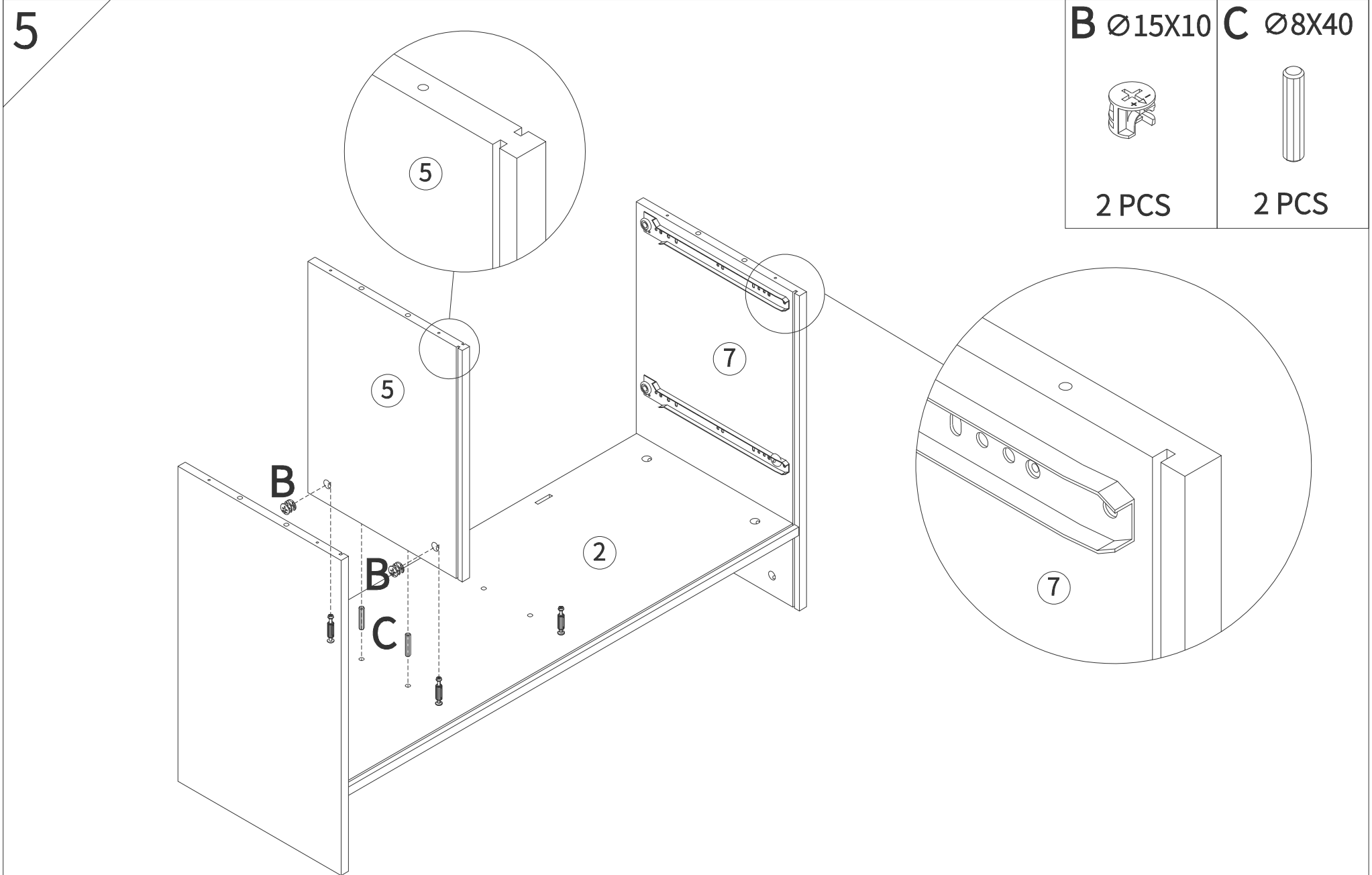
<b>A</b> M6X42	<b>E</b> M3.5X14
2 PCS	4 PCS





4

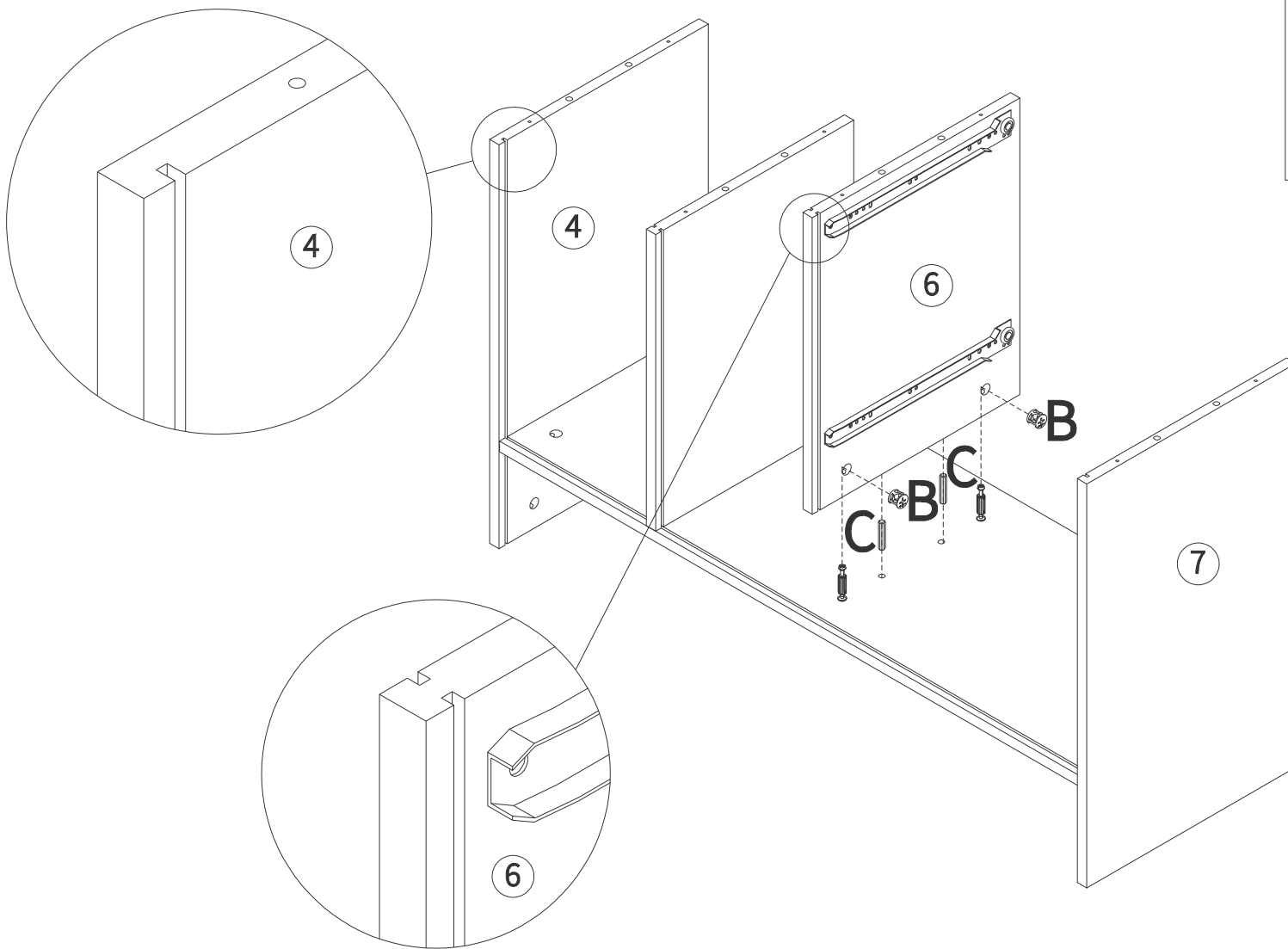


<b>B</b> Ø15X10	<b>C</b> Ø8X40
2 PCS	2 PCS

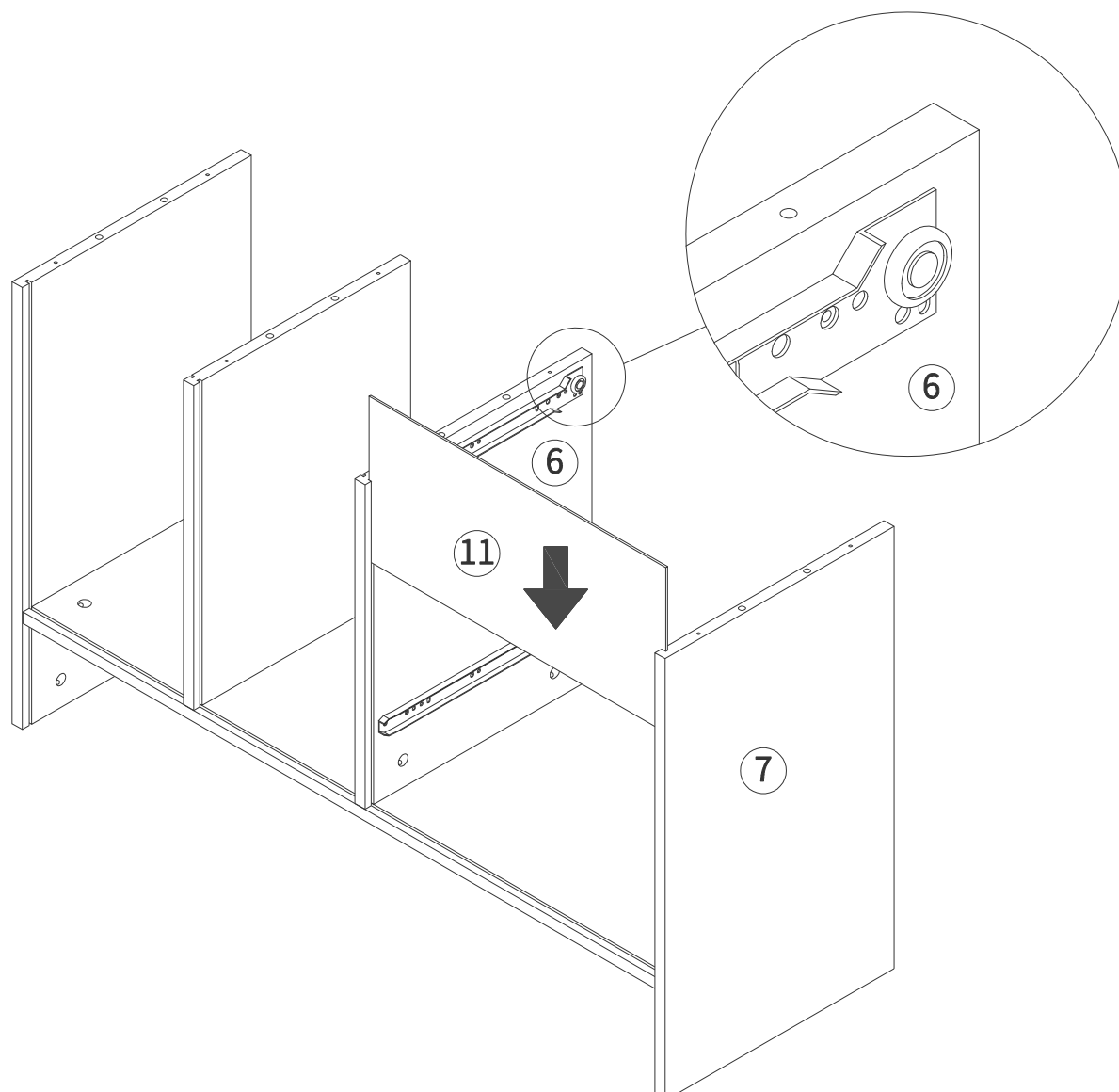


7

<b>B</b> Ø15X10	<b>C</b> Ø8X40
	
2 PCS	2 PCS

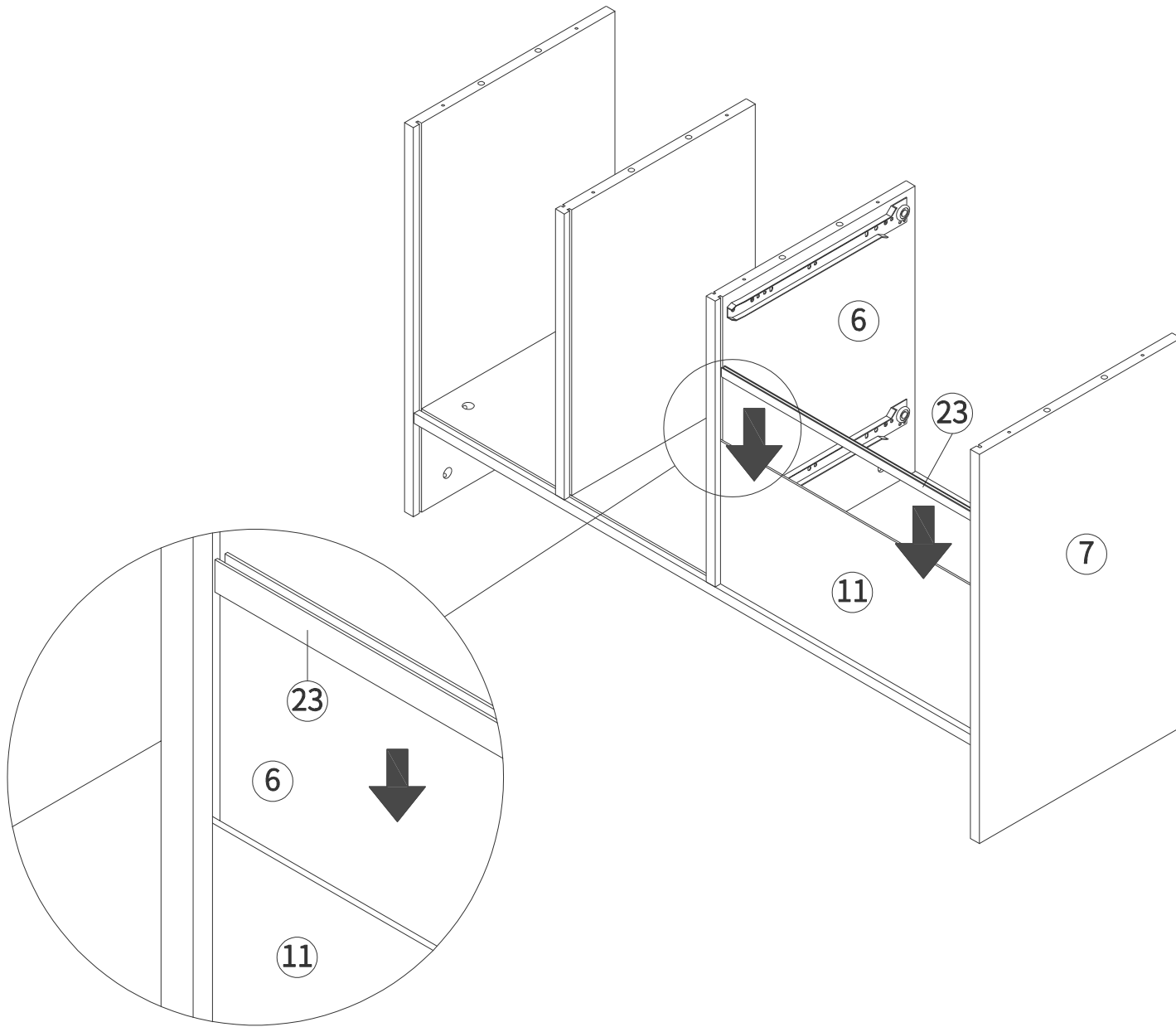


8

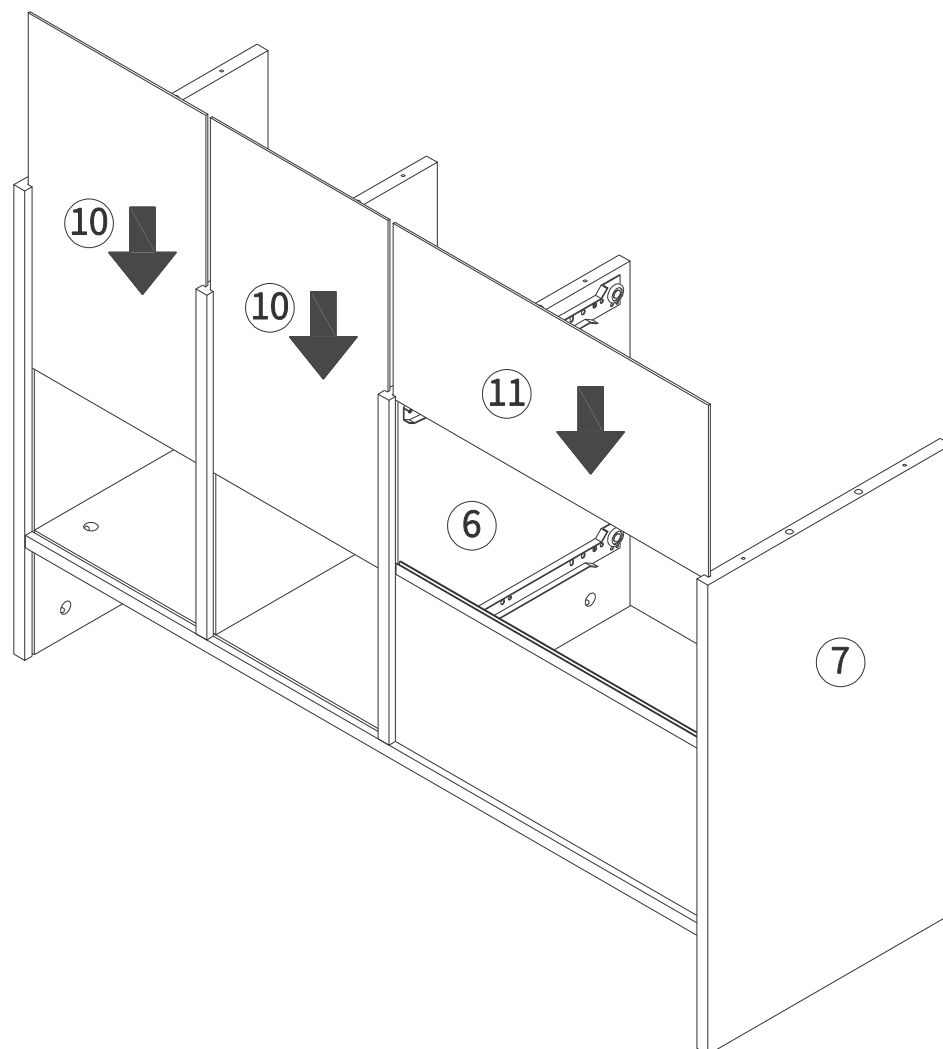




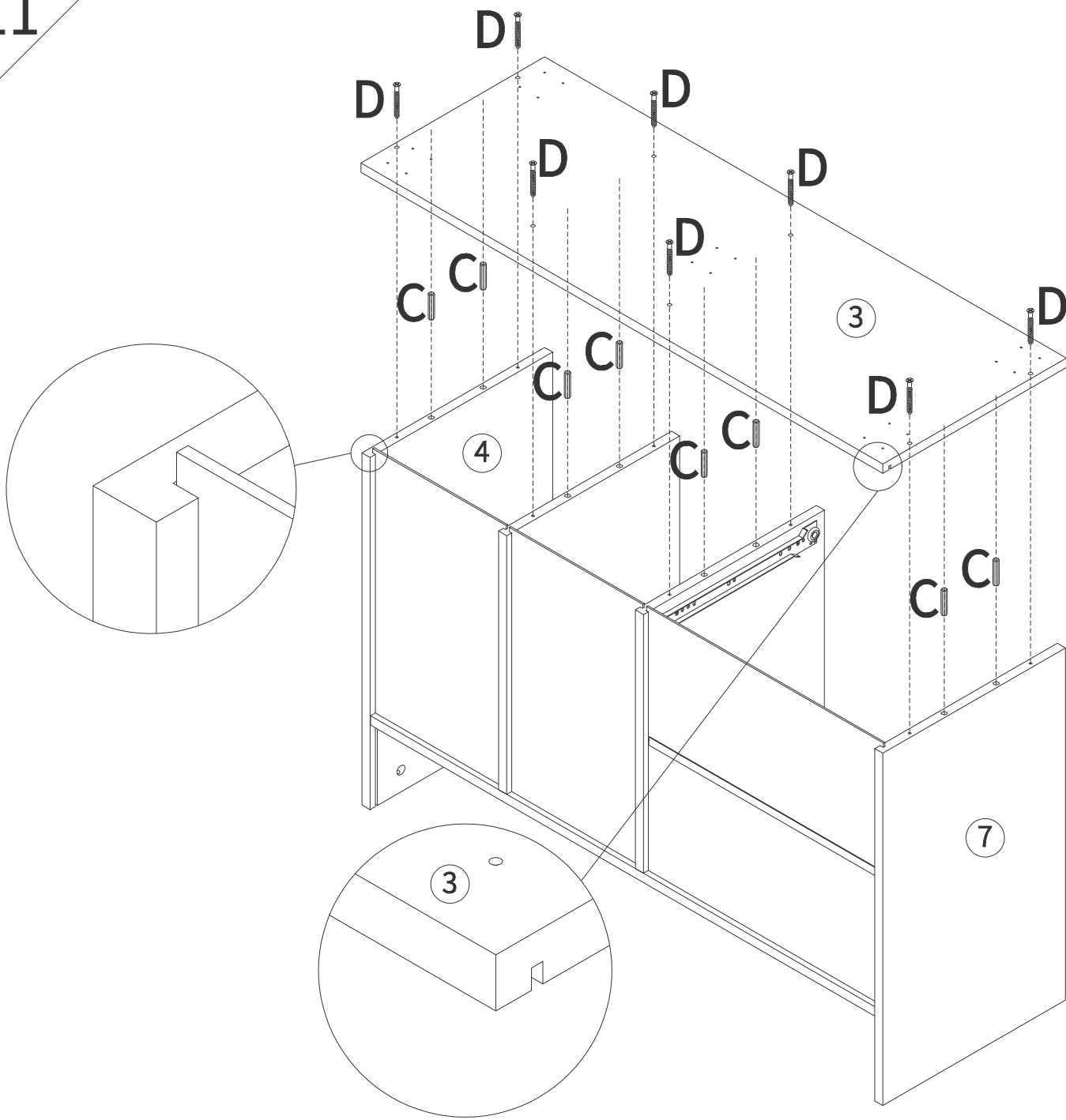
9



10



11



**C** Ø8X40



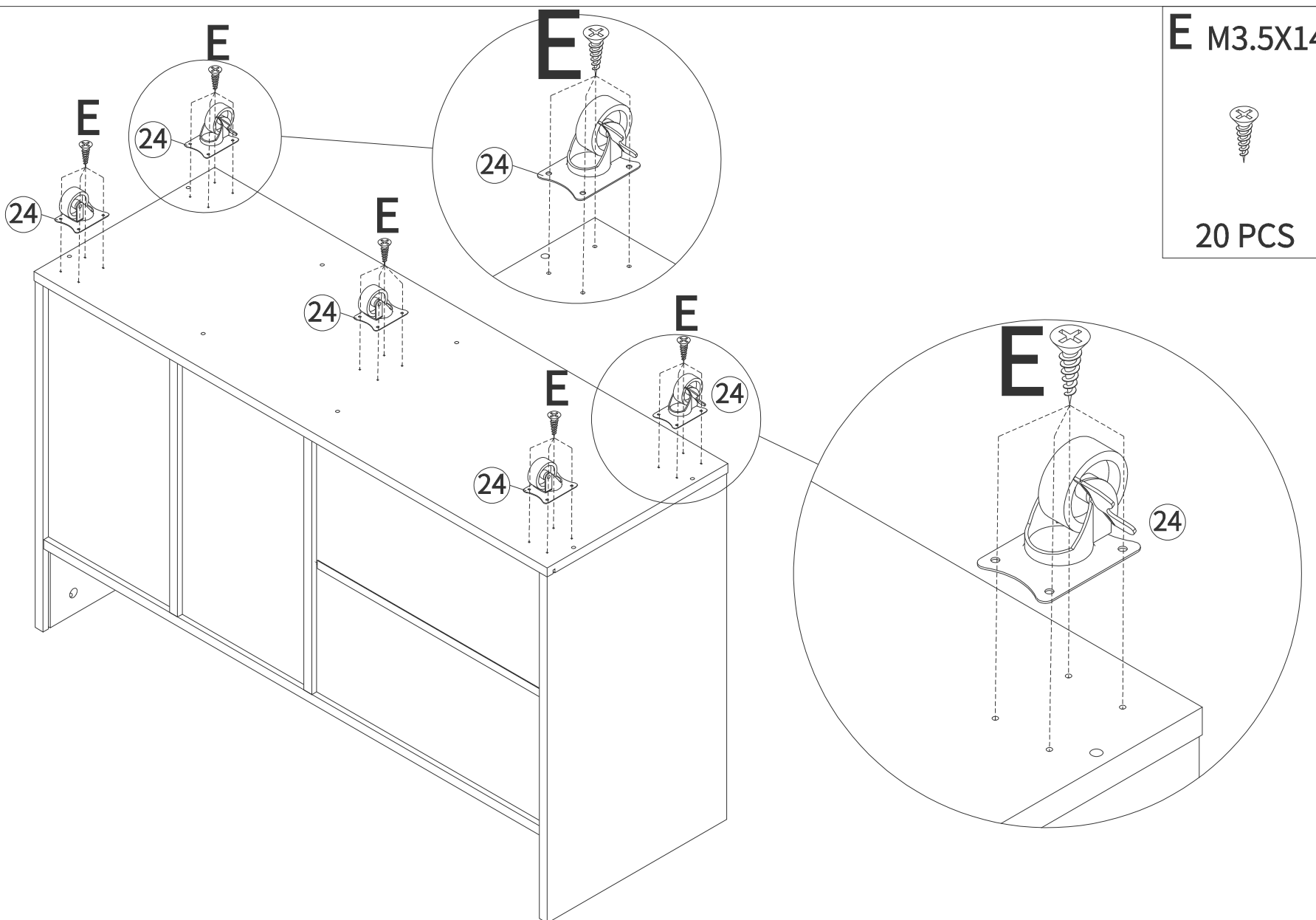
8 PCS

**D** M5X40



8 PCS

12

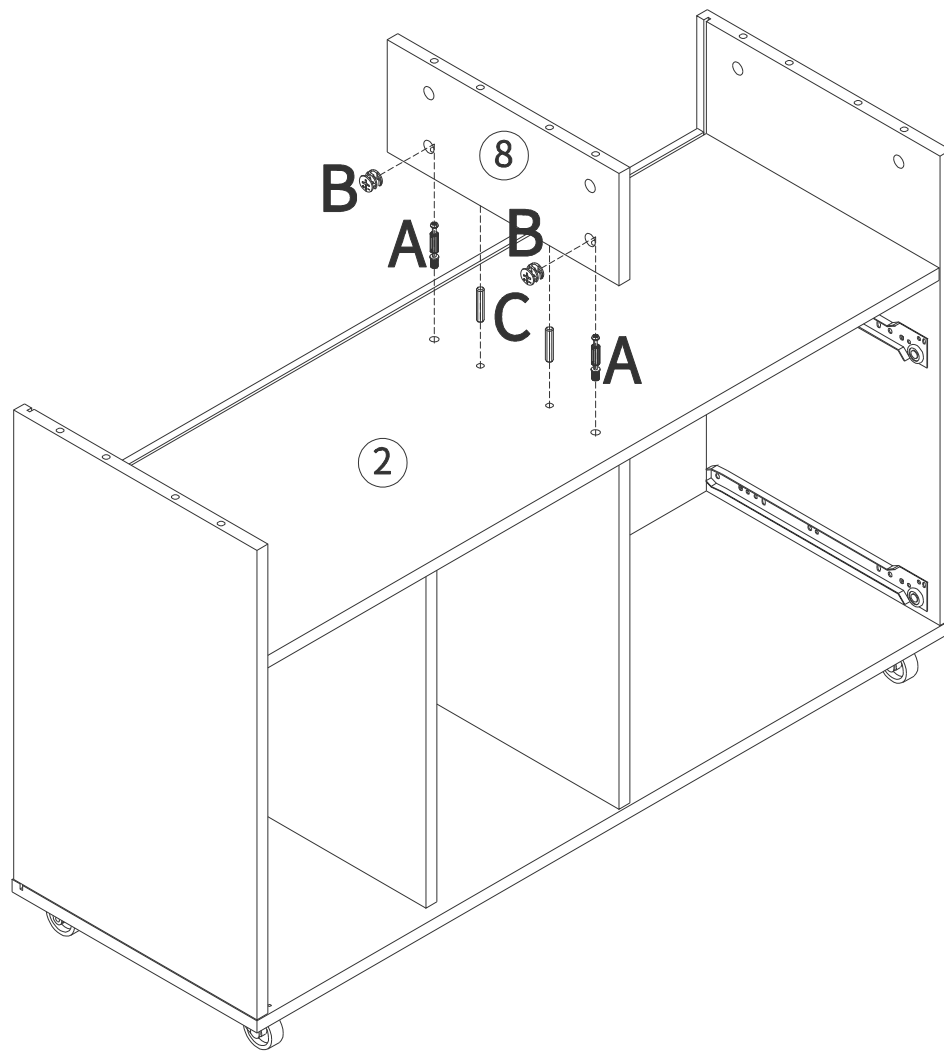


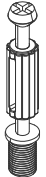
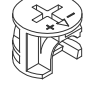

**E** M3.5X14



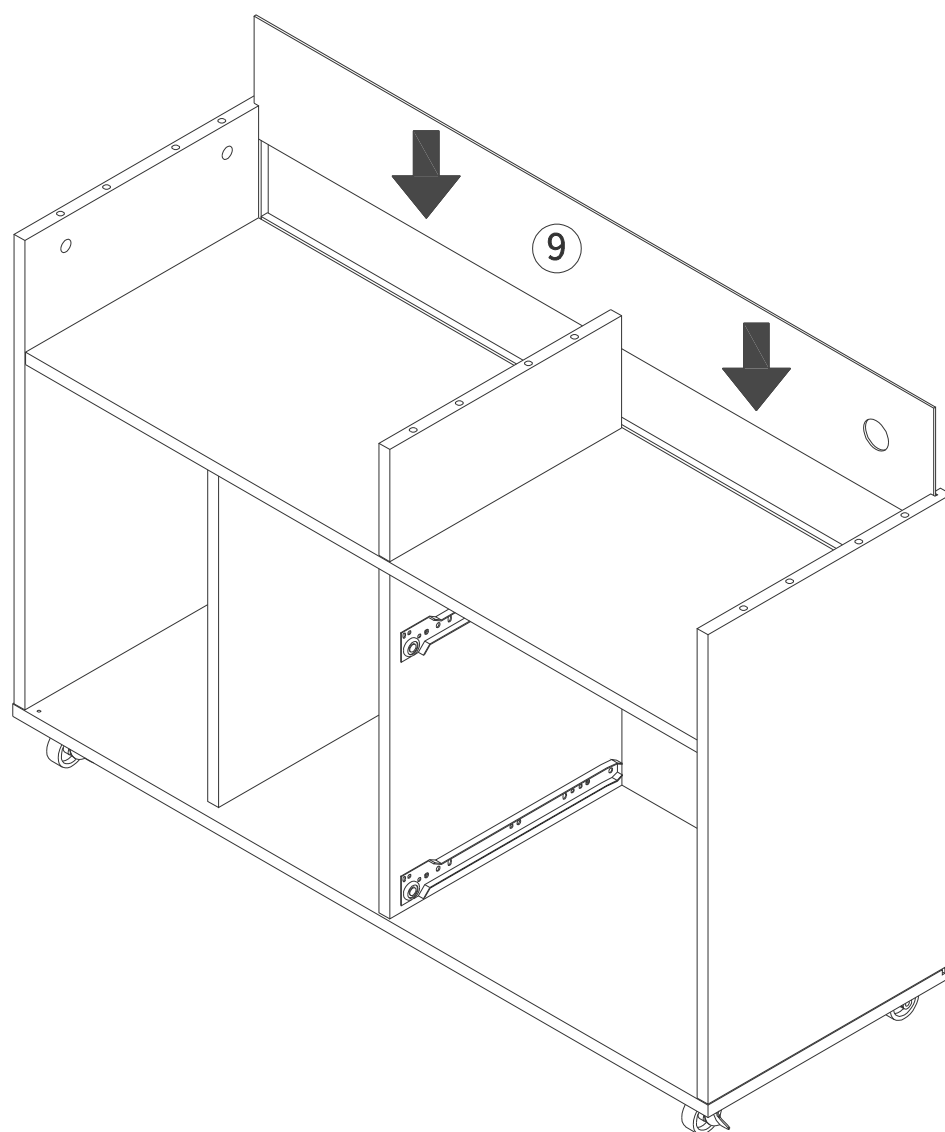
20 PCS

13

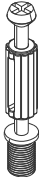
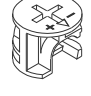



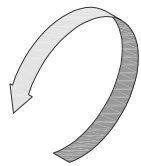
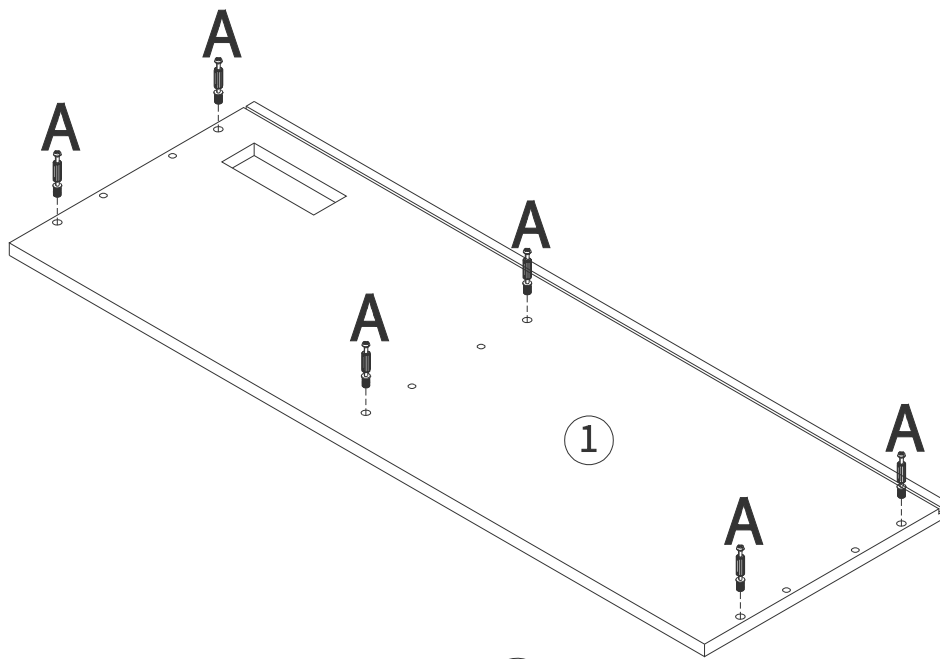
<b>A</b> M6X42	<b>B</b> Ø15X10	<b>C</b> Ø8X40
		
2 PCS	2 PCS	2 PCS

14

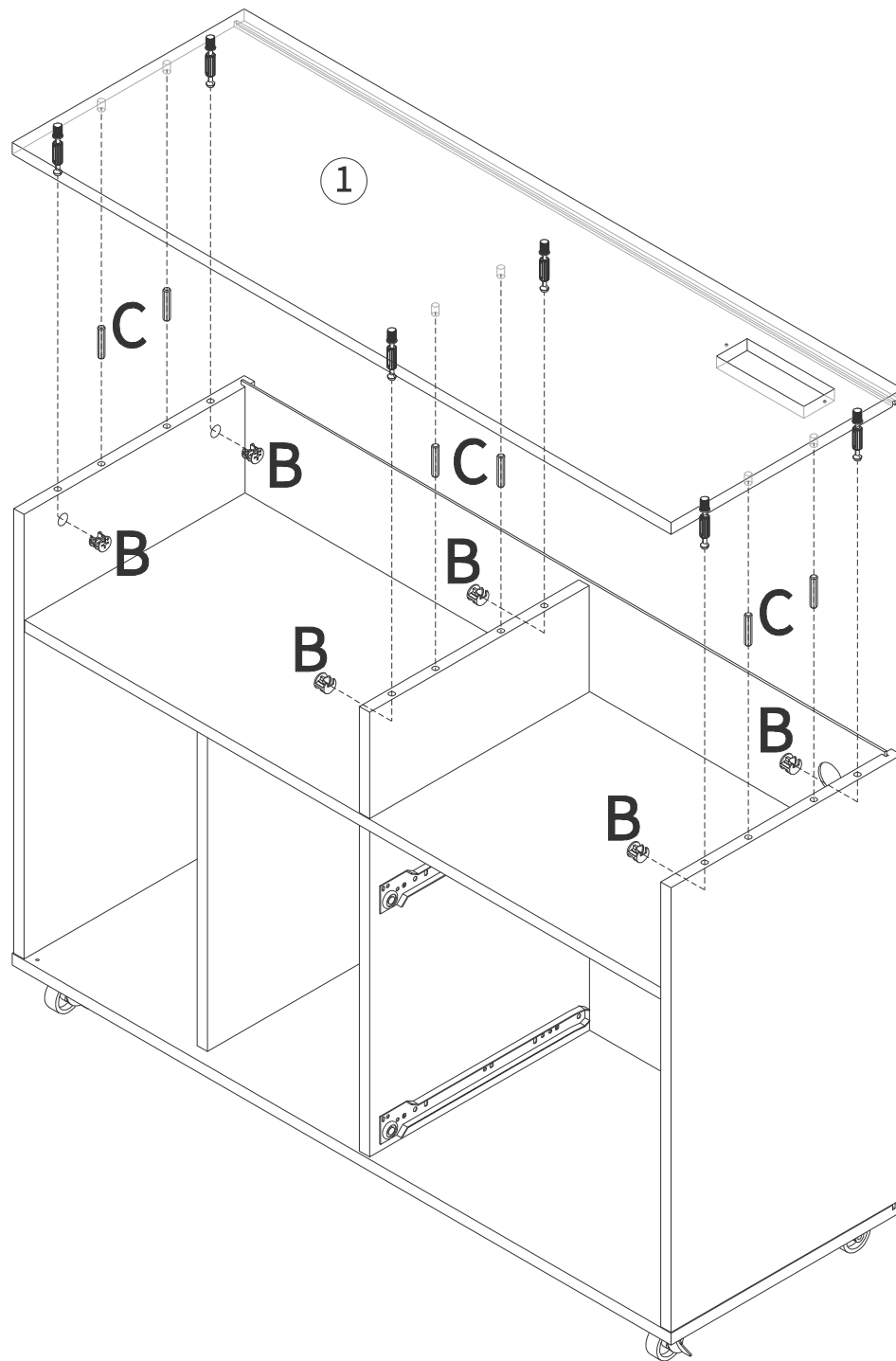


15

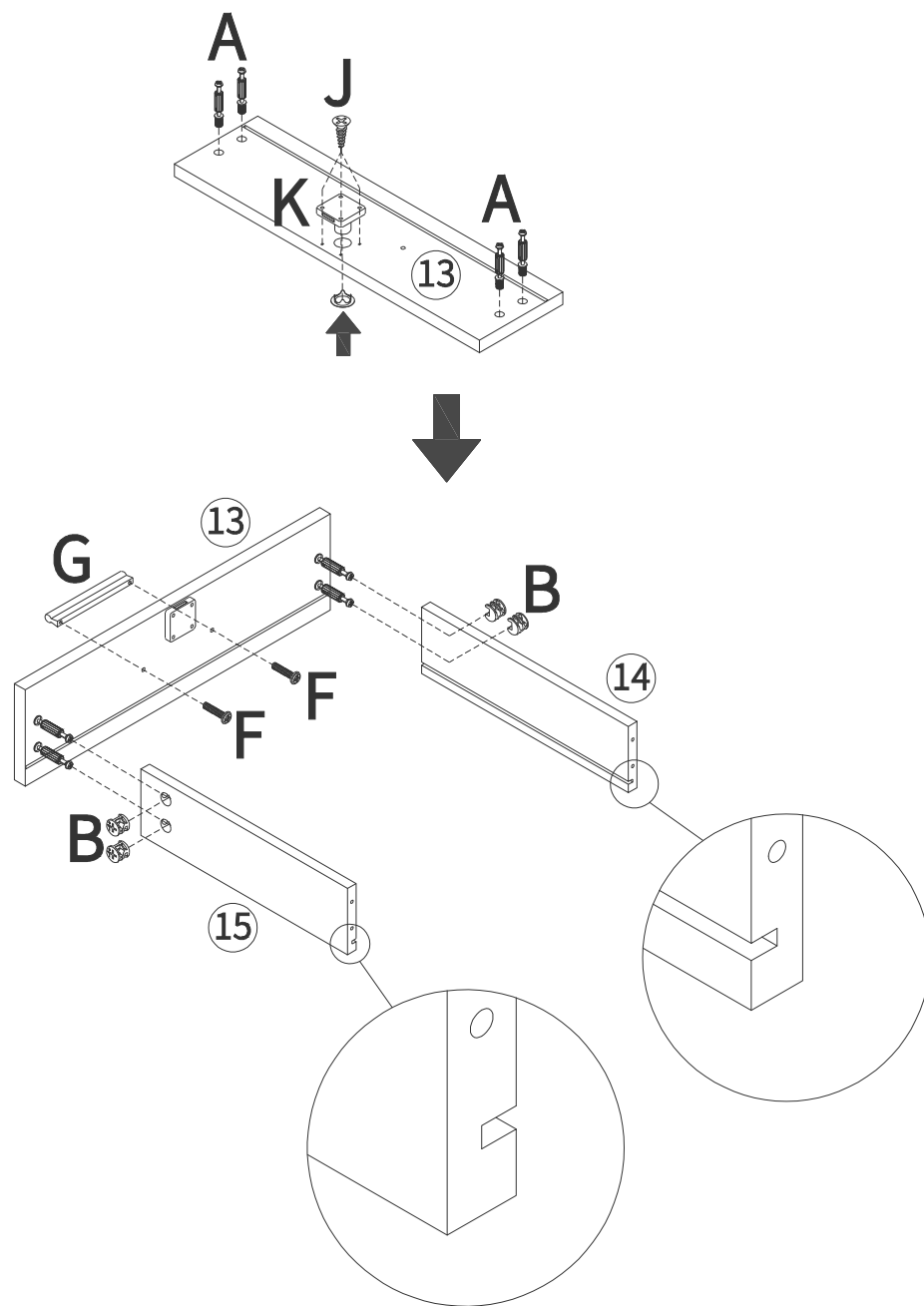
<b>A</b> M6X42	<b>B</b> Ø15X10	<b>C</b> Ø8X40
		
6 PCS	6 PCS	6 PCS




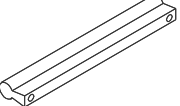

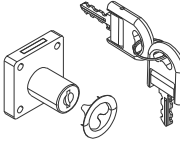


FLIP OVER

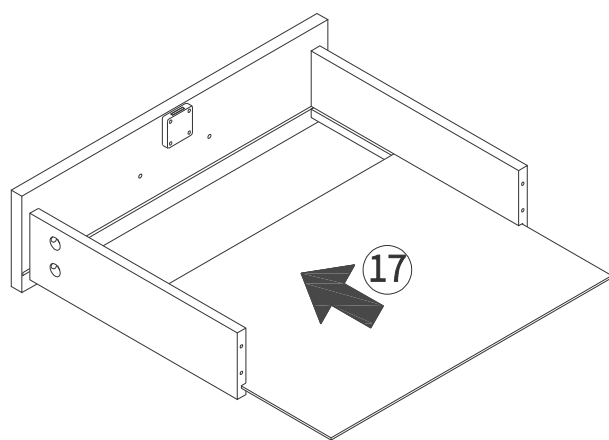


16



<b>A</b> M6X42  4 PCS	<b>B</b> Ø15X10  4 PCS
<b>F</b> M4X18  2 PCS	<b>G</b>  1 PC
<b>J</b> M3X18  4 PCS	<b>K</b>  1 SET

17

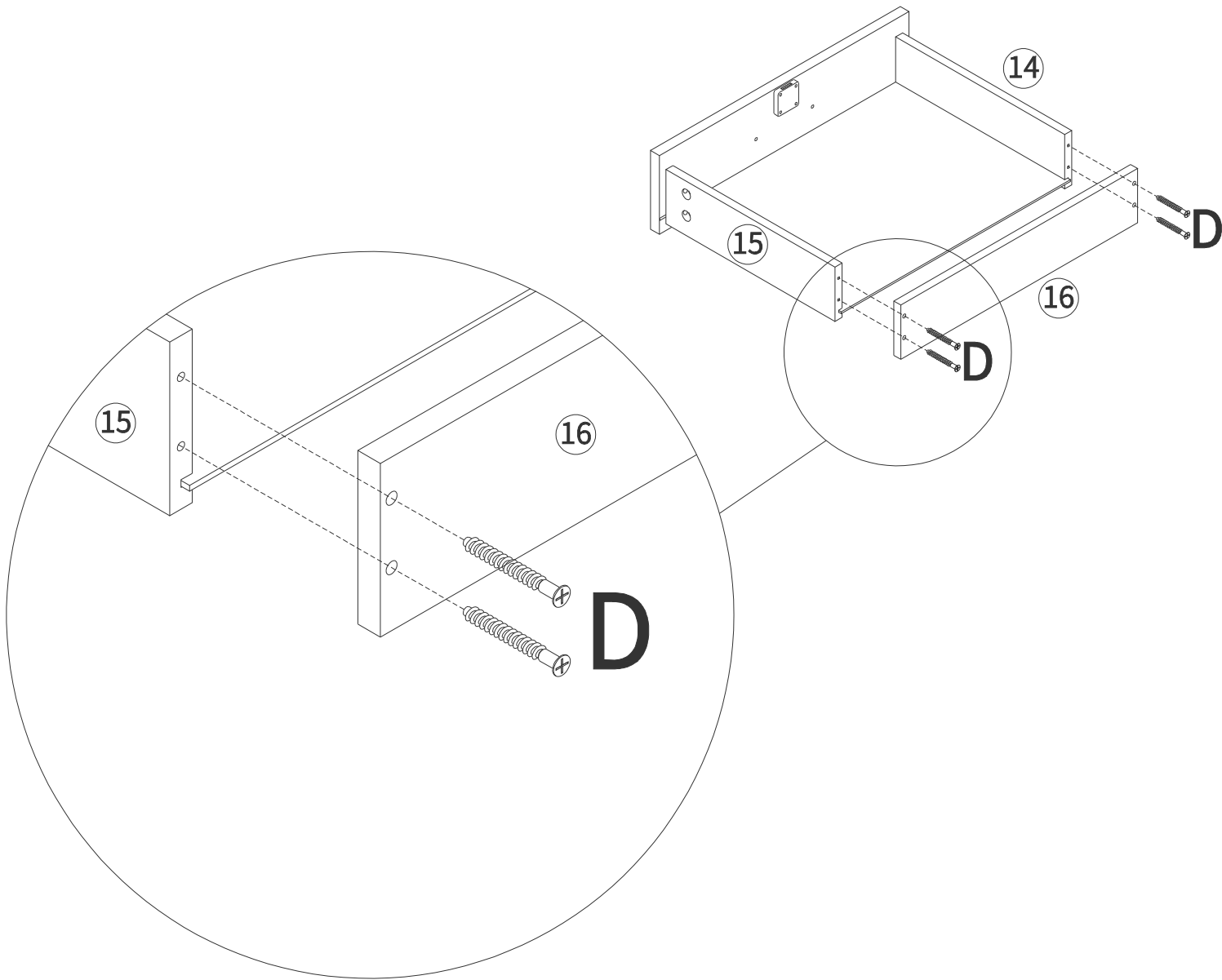


18

**D** M5X40



4 PCS

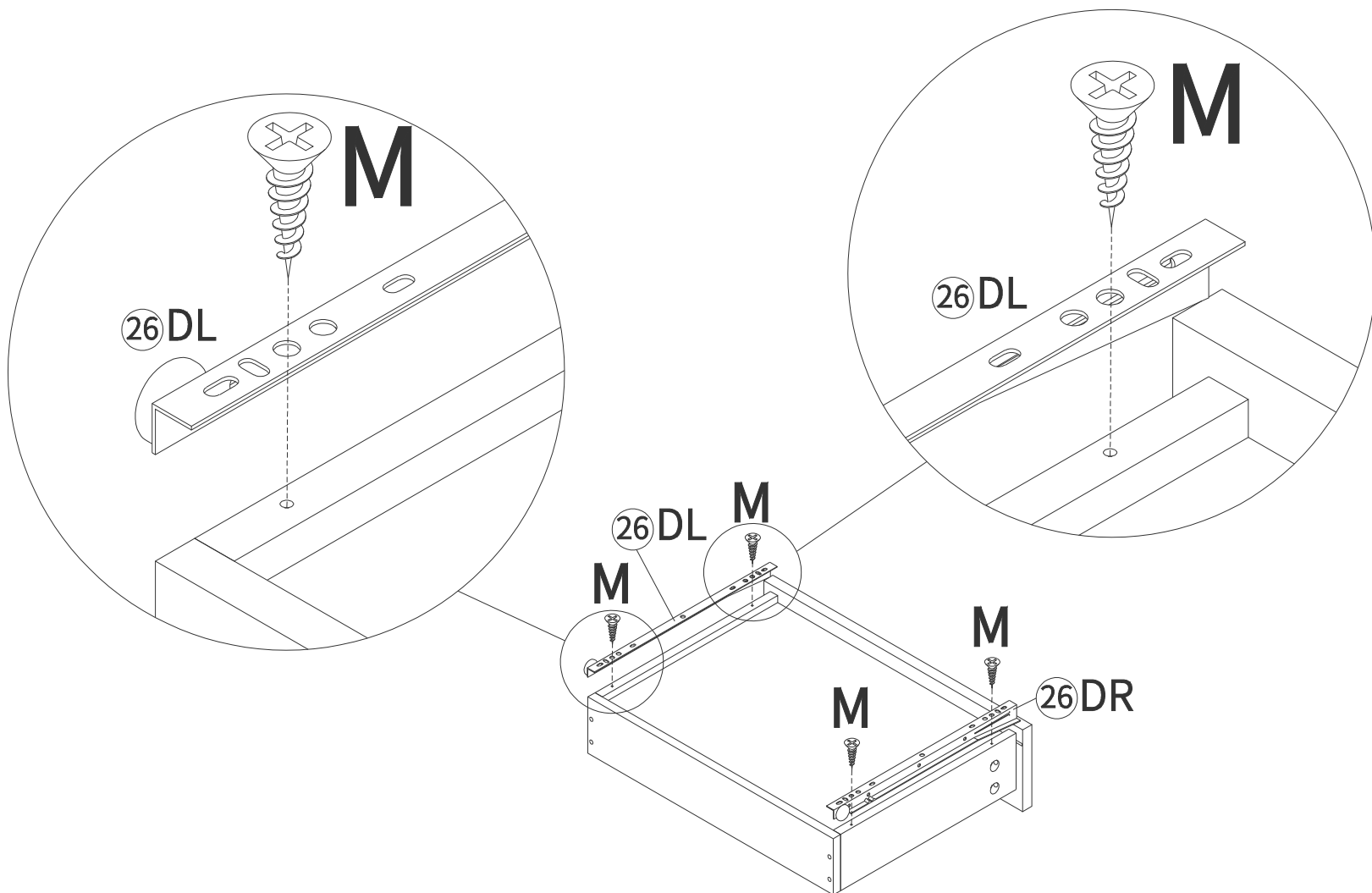


19

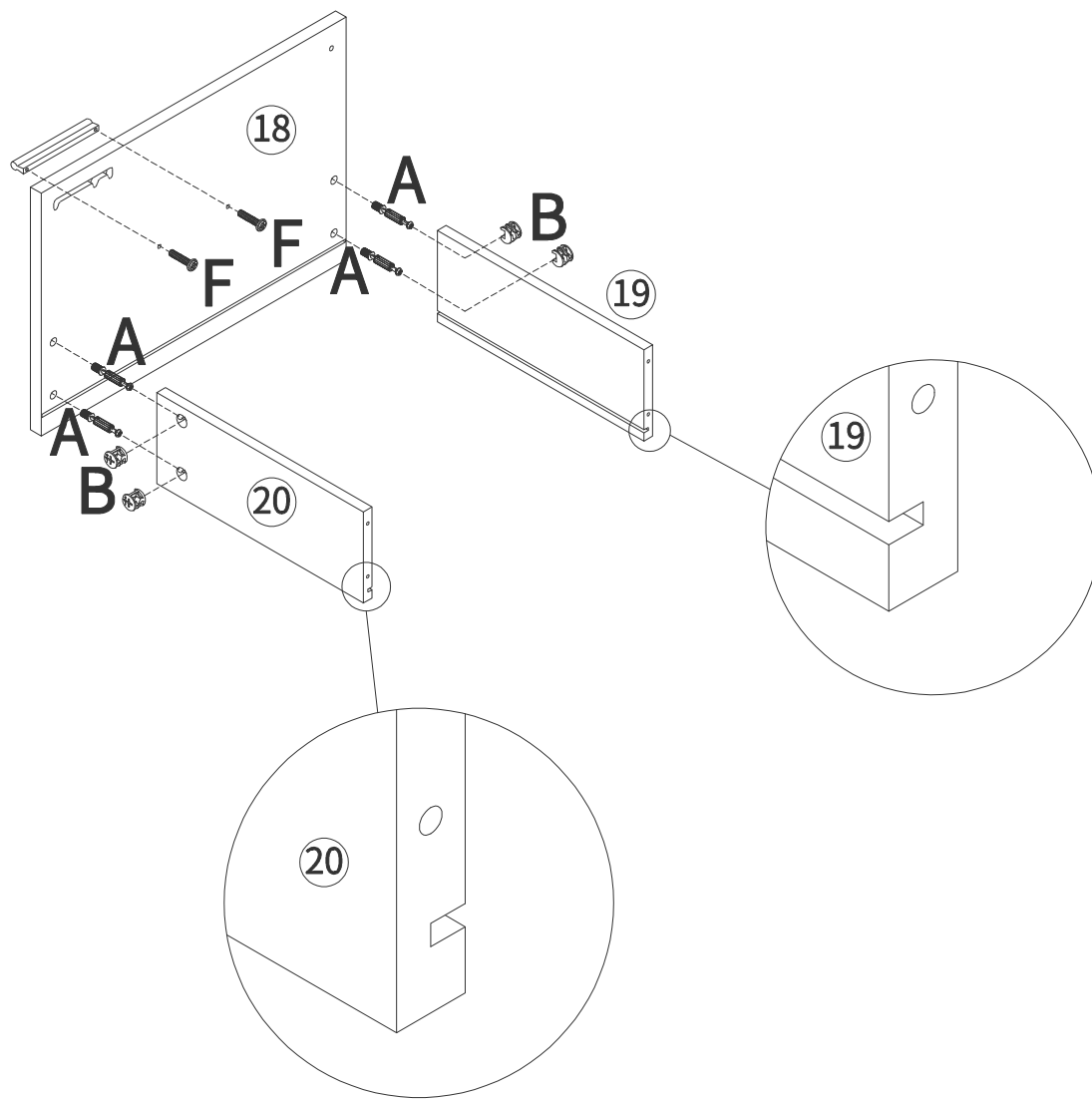
**M** M3.5X12


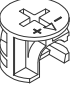
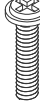
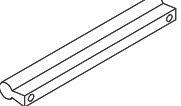


4 PCS

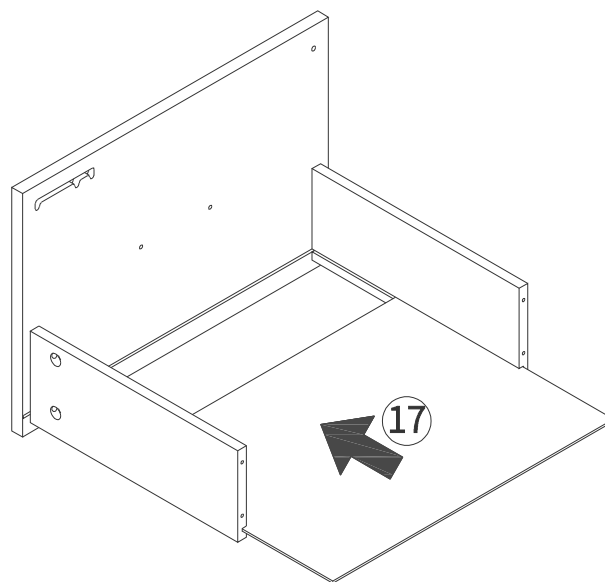


20



<b>A</b> M6X42  4 PCS	<b>B</b> Ø15X10  4 PCS
<b>F</b> M4X18  2 PCS	<b>G</b>  1 PC

21

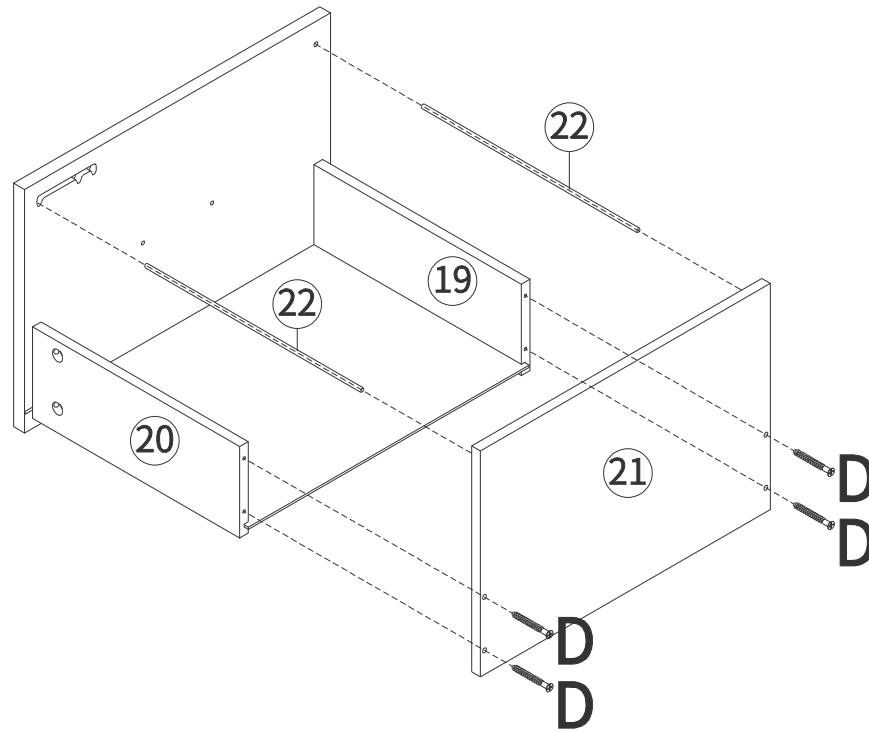


22

**D** M5X40



4 PCS

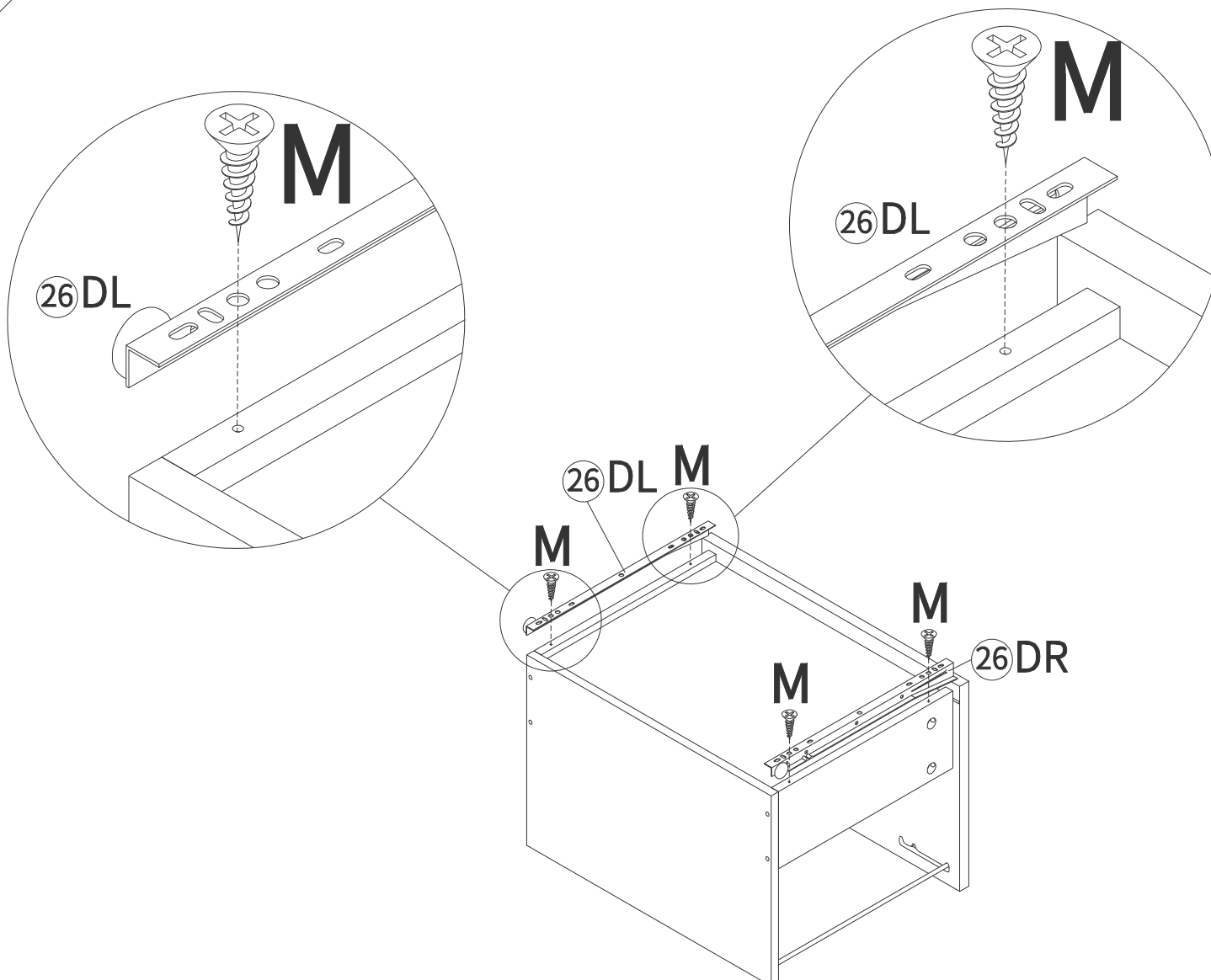


23

**M** M3.5X12

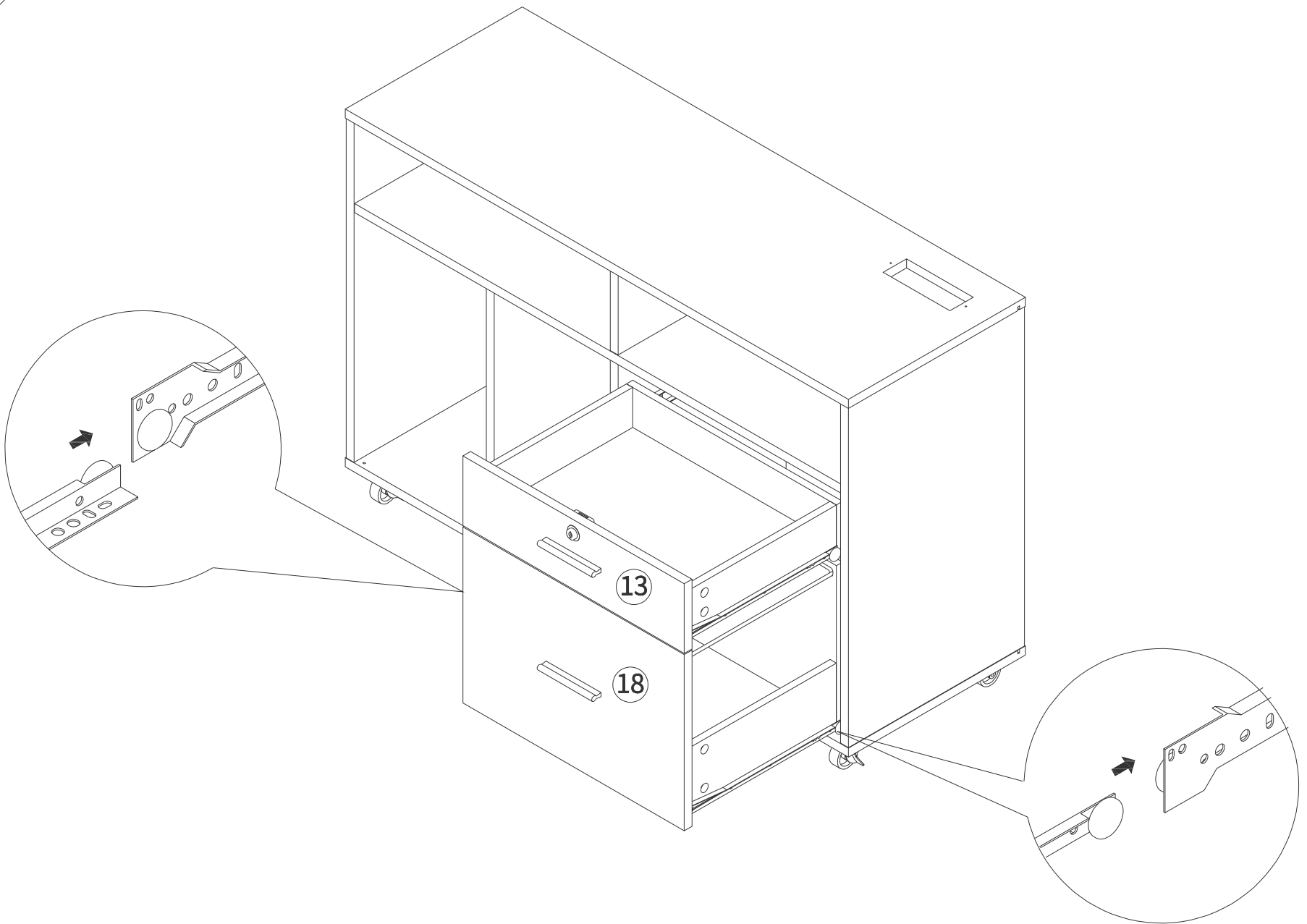


4 PCS

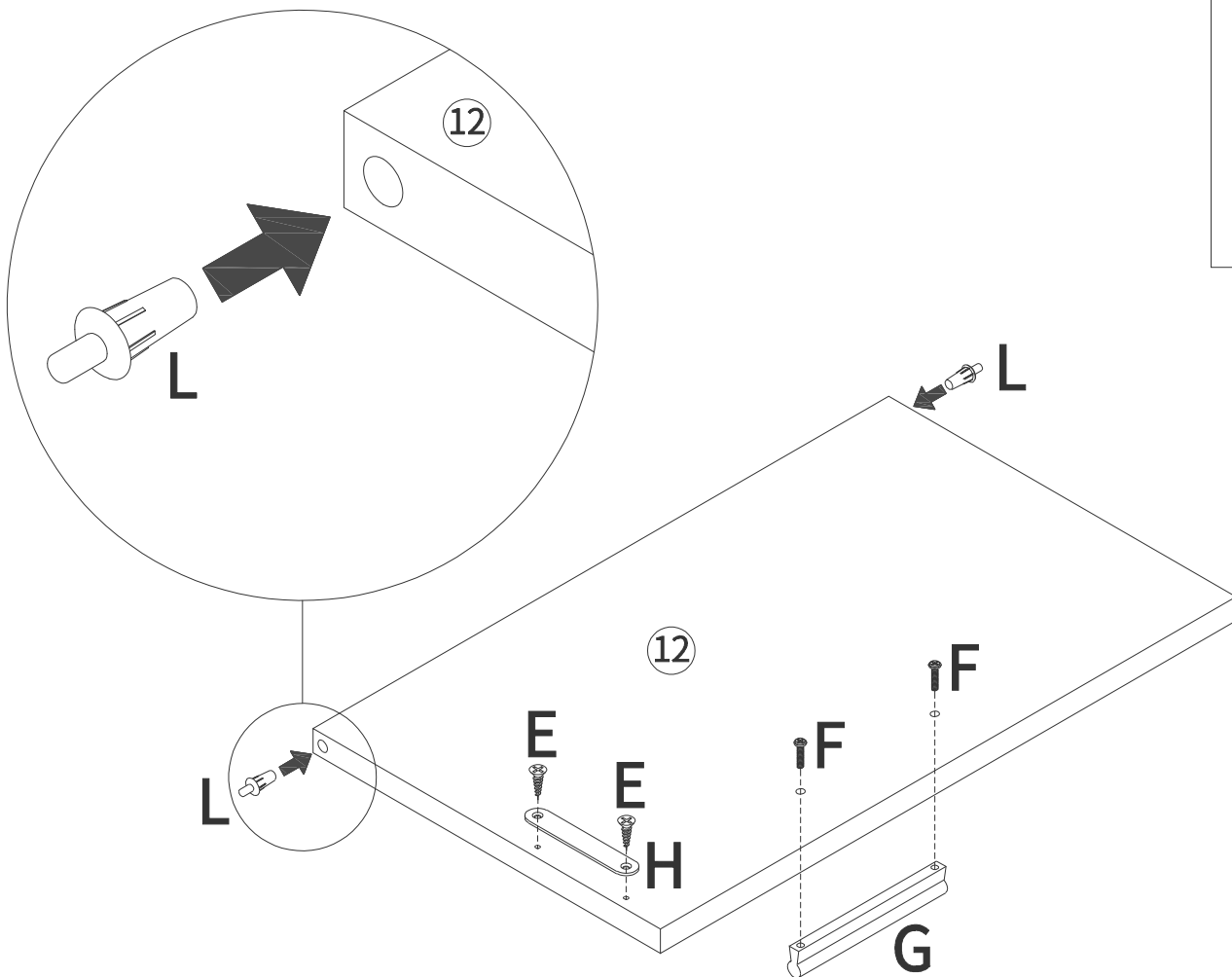



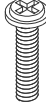
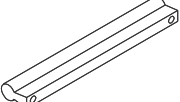

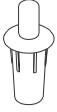


24

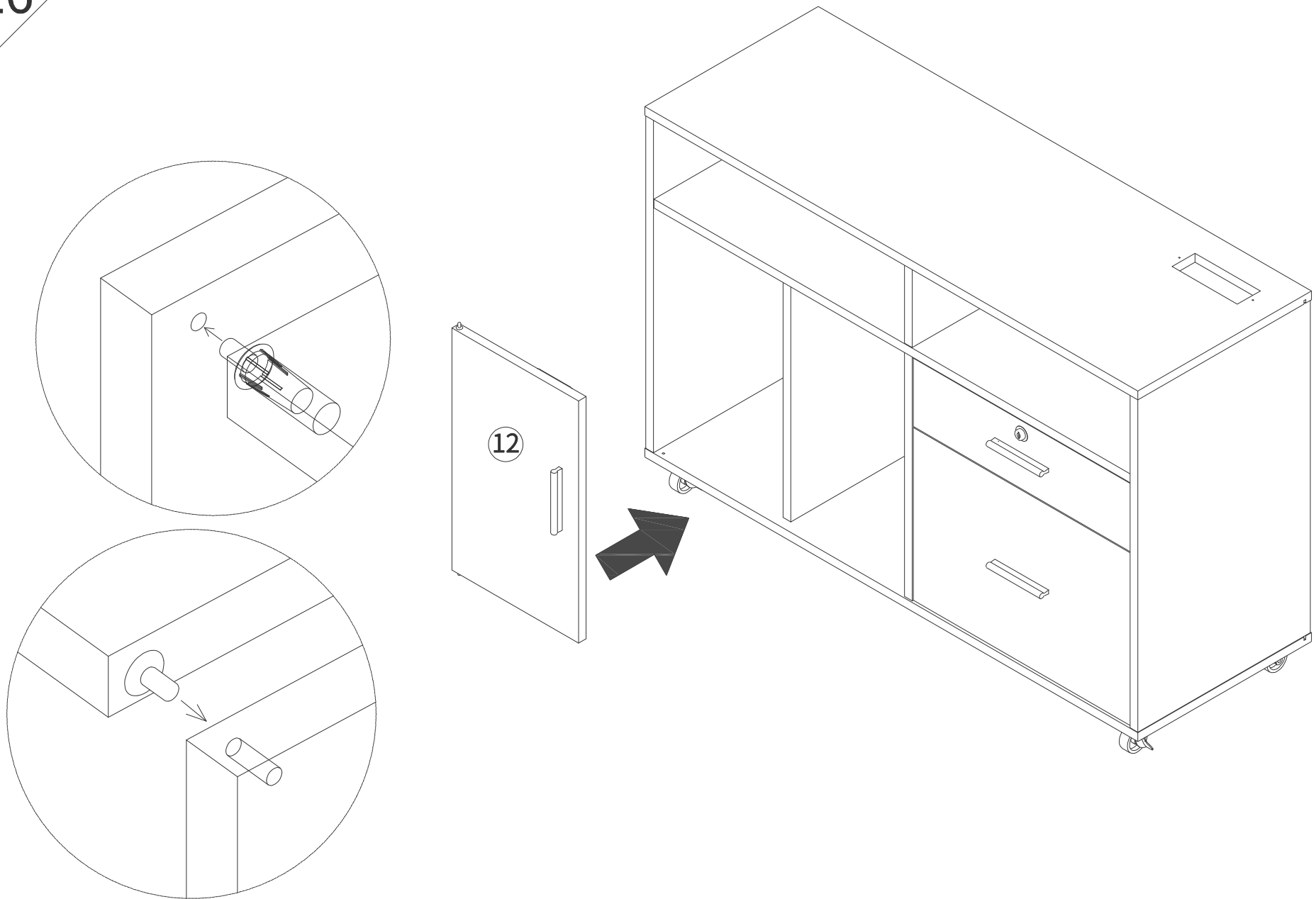


25




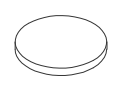
<b>E</b> M3.5X14  2 PCS	<b>F</b> M4X18  2 PCS	<b>G</b>  1 PC
	<b>H</b>  1 PC	<b>L</b>  2 PCS

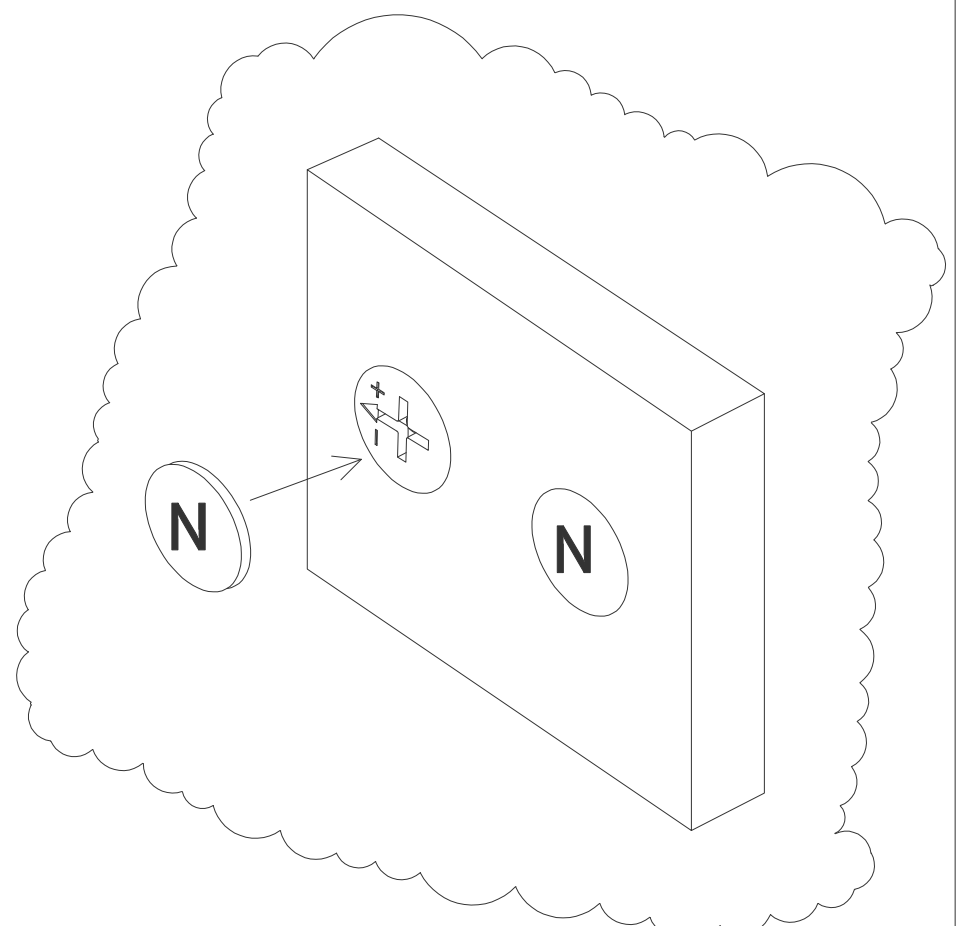
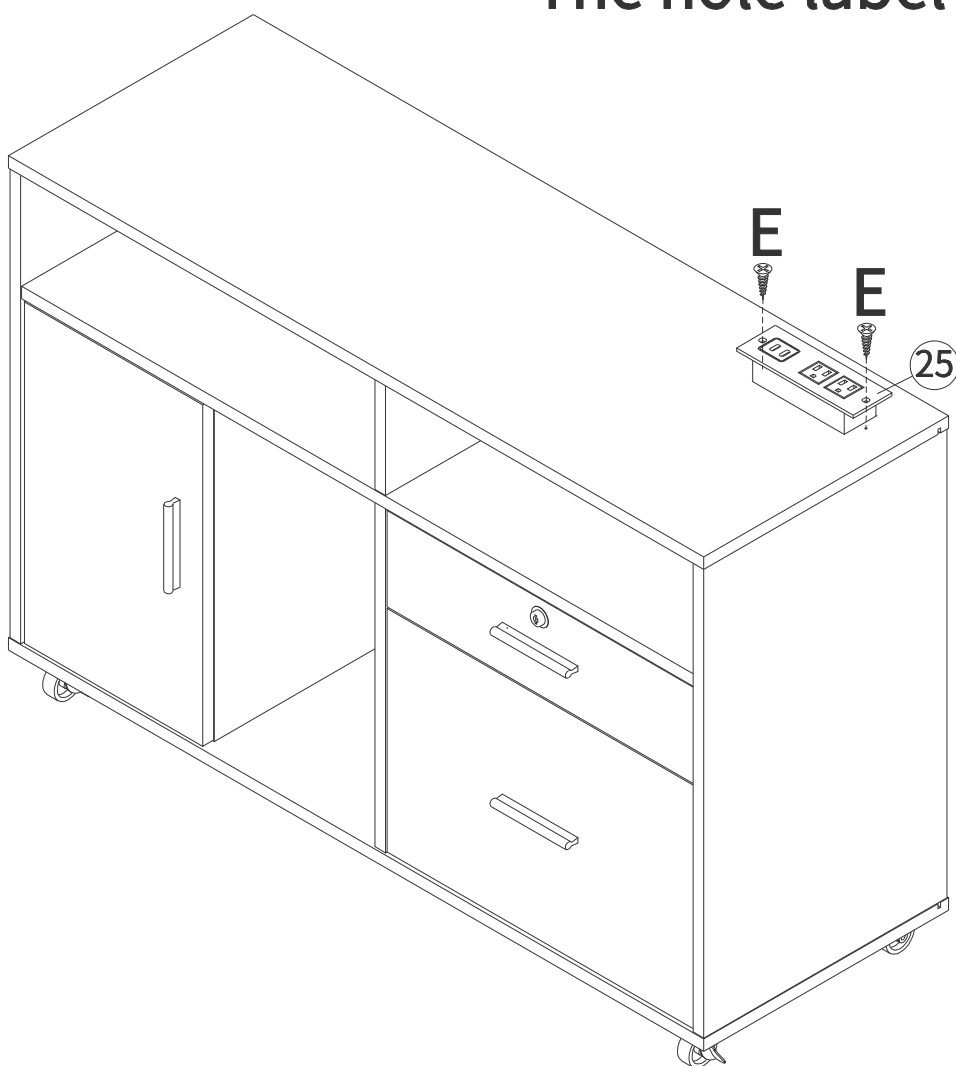
26



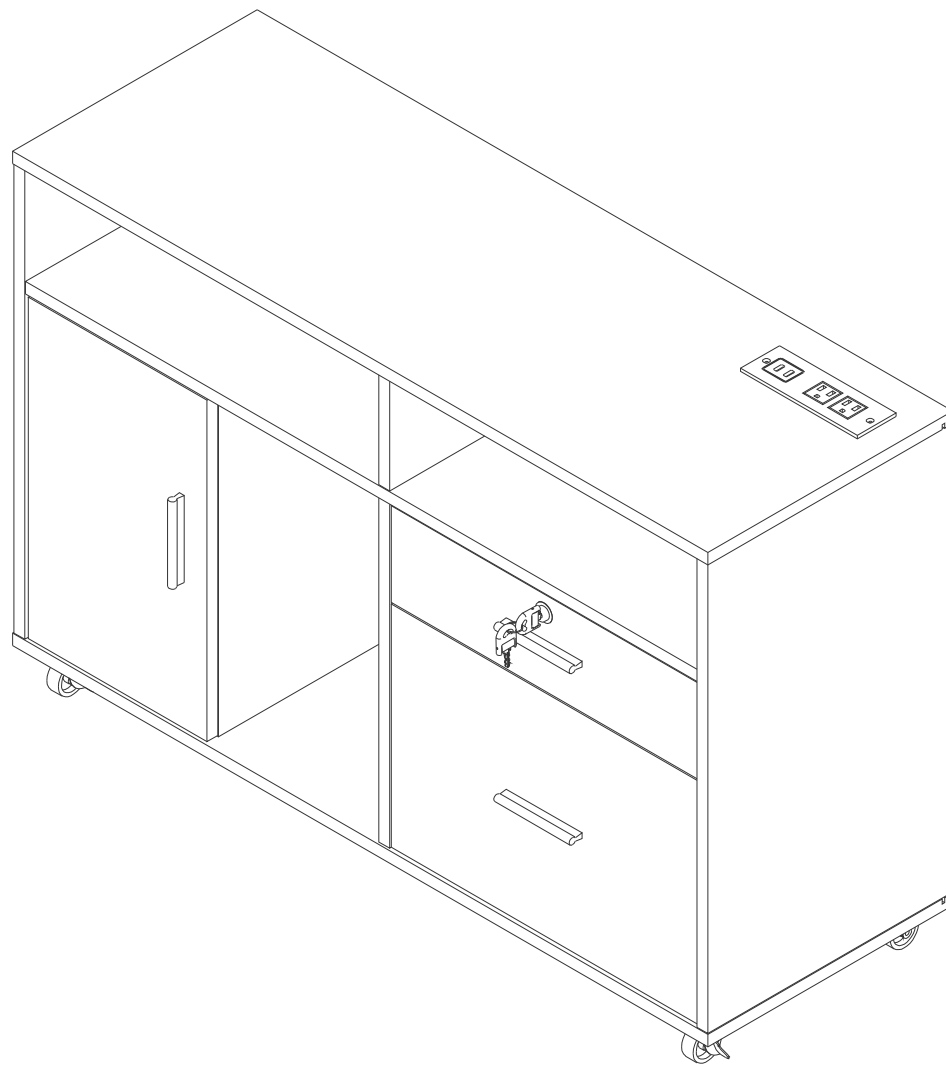
27

The hole label is pasted here.

<b>E</b> M3.5X14	<b>N</b>
	
2 PCS	8 PCS



28



Installation completed



Pure & Easy

### CONTACT US:

If you have any questions about the installation of YITAHOME® products, just contact us at +1(888)-717-8084 from Mon-Fri 8:00AM-16:30 PM PST / Saturday 8:00 AM-12:00 PMPST or E-mail us at: [after-sale.cs@hotmail.com](mailto:after-sale.cs@hotmail.com)

Alternative method to contact us (amazon.com orders only)

1. Log into your amazon account
2. Go to "Your Orders" and find the purchase
3. Click on "Contact Seller"