

PoE Extender User's Manual

V1.0.3

Important Safeguards and Warnings

Please read the following safeguards and warnings carefully before using the product in order to avoid damages and losses.

Note:

- Do not expose the device to lampblack, steam or dust. Otherwise it may cause fire or electric shock.
- Do not install the device at position exposed to sunlight or in high temperature. Temperature rise in device may cause fire.
- Do not expose the device to humid environment. Otherwise it may cause fire.
- The device must be installed on solid and flat surface in order to guarantee safety under load and earthquake. Otherwise, it may cause device to fall off or turnover.
- Do not place the device on carpet or quilt.
- Do not block air vent of the device or ventilation around the device. Otherwise, temperature in device will rise and may cause fire.
- Do not place any object on the device.
- Do not disassemble the device without professional instruction.

Warning:

Please use battery properly to avoid fire, explosion and other dangers.

Please replace used battery with battery of the same type.

Do not use power line other than the one specified. Please use it properly. Otherwise, it may cause fire or electric shock.

Special Announcement:

This manual is for reference only.

All the designs and software here are subject to change without prior written notice.

All trademarks and registered trademarks are the properties of their respective owners.

If there is any uncertainty or controversy, please refer to the final explanation of us.

Please visit our website for more information.

Table of Contents

| | | |
|----------|---|----------|
| 1 | Product Overview | 3 |
| 1.1 | Features | 3 |
| 1.2 | Typical Application | 3 |
| 2 | Device Structure | 4 |
| 2.1 | Appearance Port | 4 |
| | Front panel | 4 |
| 3 | Installation Guide | 5 |
| 3.1 | Install Device | 5 |
| | PoE Extender supports two installation modes which are junction box internal mounting and DIN rail mounting. | 5 |
| 1. | The junction box internal mounting is shown in Figure 3-1. | 5 |
| 2. | The DIN rail mounting is shown in Figure 3-2. | 6 |

1 Product Overview

PoE Extender is mainly used to cooperate with High PoE Midspan to form long-distance transmission plan, transmit Ethernet data via Cat5/5e/6 network cable and supply power for IP Camera, cascade multilevel transmission 300m.

1.1 Features

- Support passive PoE cascade power supply and Ethernet data exchange.
- Support IEEE 802.3af/at standard power supply IP Camera.
- 1*RJ45 10/100M PoE power supply input; 1*RJ45 10/100M supply power for IP Cam; 1*RJ45 10/100M supply power for the next extender.
- Cooperate with High PoE Midspan (PFT1200), able to cascade level 2 PoE Extender, connect to 3 IPC (power consumption $\leq 8W$), max transmission distance 300m.
- Interface: 1*RJ45 10/100M port in, 1*RJ45 10/100M port PoE power out.
- Indicator: Internet access Link/Act indication.
- Working temperature: $-30^{\circ}C \sim 65^{\circ}C$.
- Installation mode: junction box internal mounting, DIN rail mounting.

1.2 Typical Application

See Figure 1-1 for mode details about typical networking scene.

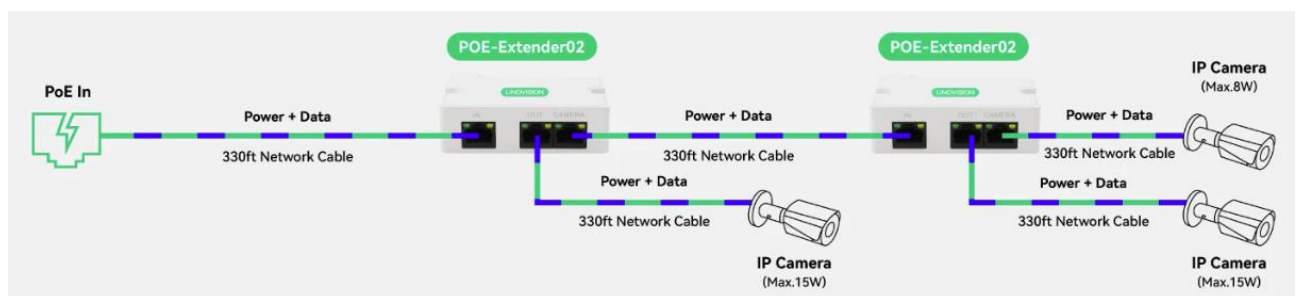


Figure 1-1

2 Device Structure

2.1 Appearance Port

Front panel

The front panel is shown in Figure 2-1.

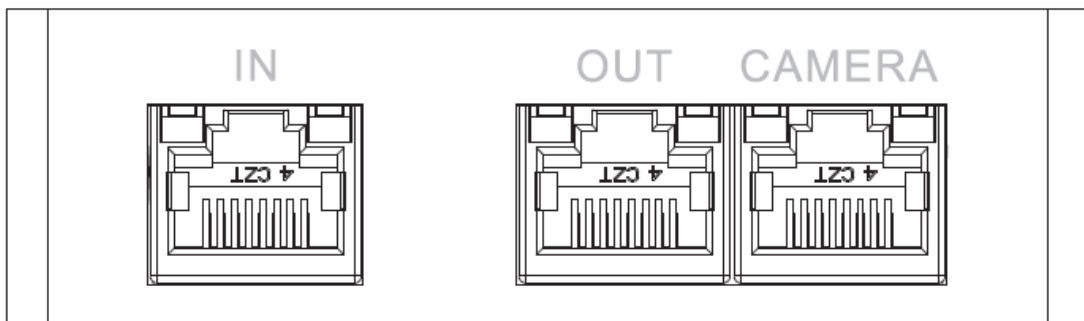


Figure 2-1

Refer to Sheet 2-1 for more details.

| Interface Name | Note |
|----------------|---|
| IN | 1*10/100M RJ45 port, receive PoE power supply port; yellow indicator shows Internet access Link status, green indicator shows network access Act status. |
| OUT | 1*10/100M RJ45 port, PoE power supply port, used to supply power for the next PoE Extender; yellow indicator shows Internet access Link status, green indicator shows Internet access Act status. |
| CAMERA | 1*10/100M RJ45 port, PoE power supply port, used to supply power for IP Camera; yellow indicator shows Internet access Link status, green indicator shows Internet access Act status |

3 Installation Guide

3.1 Install Device

PoE Extender supports two installation modes which are junction box internal mounting and DIN rail mounting.

1. The junction box internal mounting is shown in Figure 3-1.

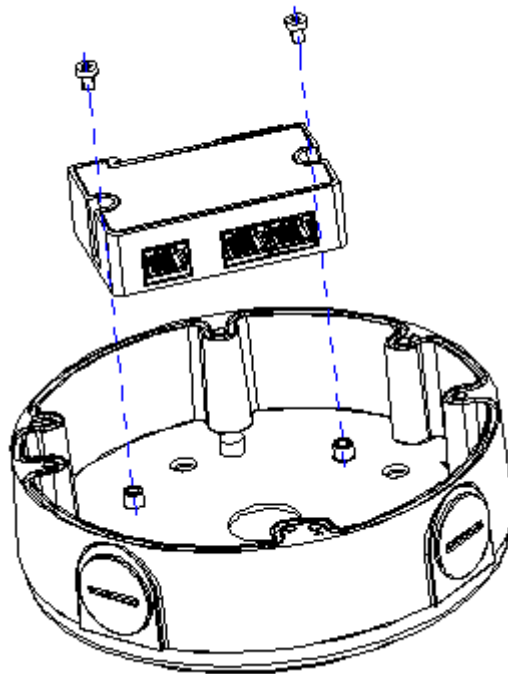


Figure 3-1

2. The DIN rail mounting is shown in Figure 3-2.

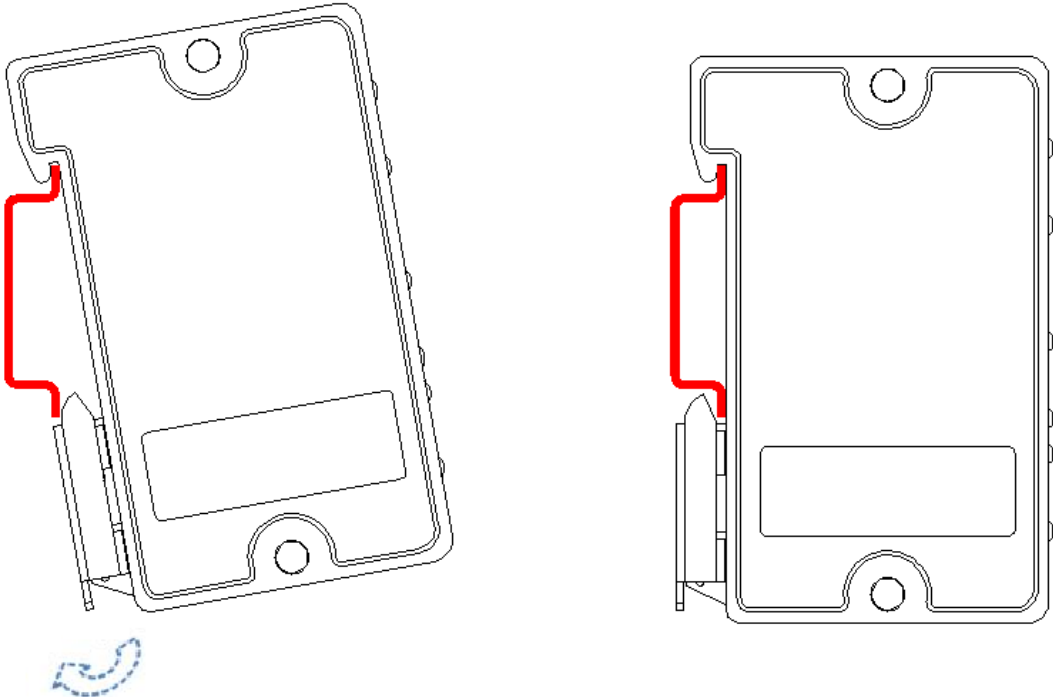
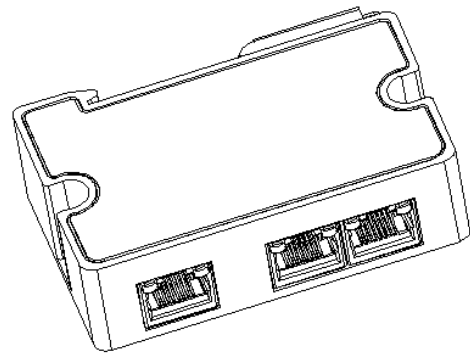
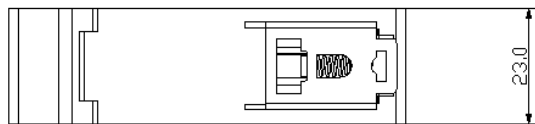
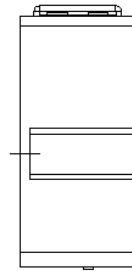
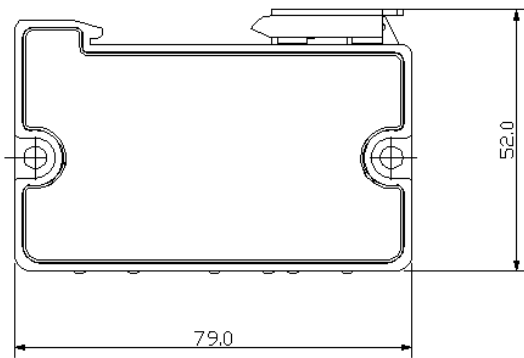


Figure 3-2

The device dimension is shown in the following figure.



Note

- This user's manual is for reference only.
- Slight difference may be found in user interface.
- All the designs and software here are subject to change without prior written notice.
- All trademarks and registered trademarks are the properties of their respective owners.
- If there is any uncertainty or controversy, please refer to the final explanation of us.
- Please visit our website for more information.