



MEET ME mobile application

**FERMAX**




INSTALLATION AND SETUP MANUAL

## **MEET ME MEET APPLICATION for MOBILE.**

Code 970139Id V11\_24

This technical document has been edited by FERMAX ELECTRÓNICA for informational purposes, and the company reserves the right to modify any of the technical specifications of the products referred to herein at any time without prior notice. These changes shall be reflected in later editions of the same document.

## ÍNDICE

	<b>1. INTRODUCTION</b>	<b>4</b>
	<b>2. INSTALLATION</b>	<b>4</b>
	<b>2.1 INSTALLATION STEPS</b>	<b>4</b>
	STEP 1: Monitor label and Panel label	4
	STEP 2: <b>PANEL &amp; GUARD UNIT</b> web server configuration	5
	a) Select the NETWORK CONFIGURATION option	5
	b) Select the GENERAL option	5
	c) Select the SIP option	6
	STEP 3: <b>MONITOR</b> web server configuration	6
	a) Select the NETWORK CONFIGURATION option	7
	b) Select the ADVANCED option	7
	STEP 4: Downloading and installing the APP	8
	<b>3. YOUTUBE</b>	<b>8</b>

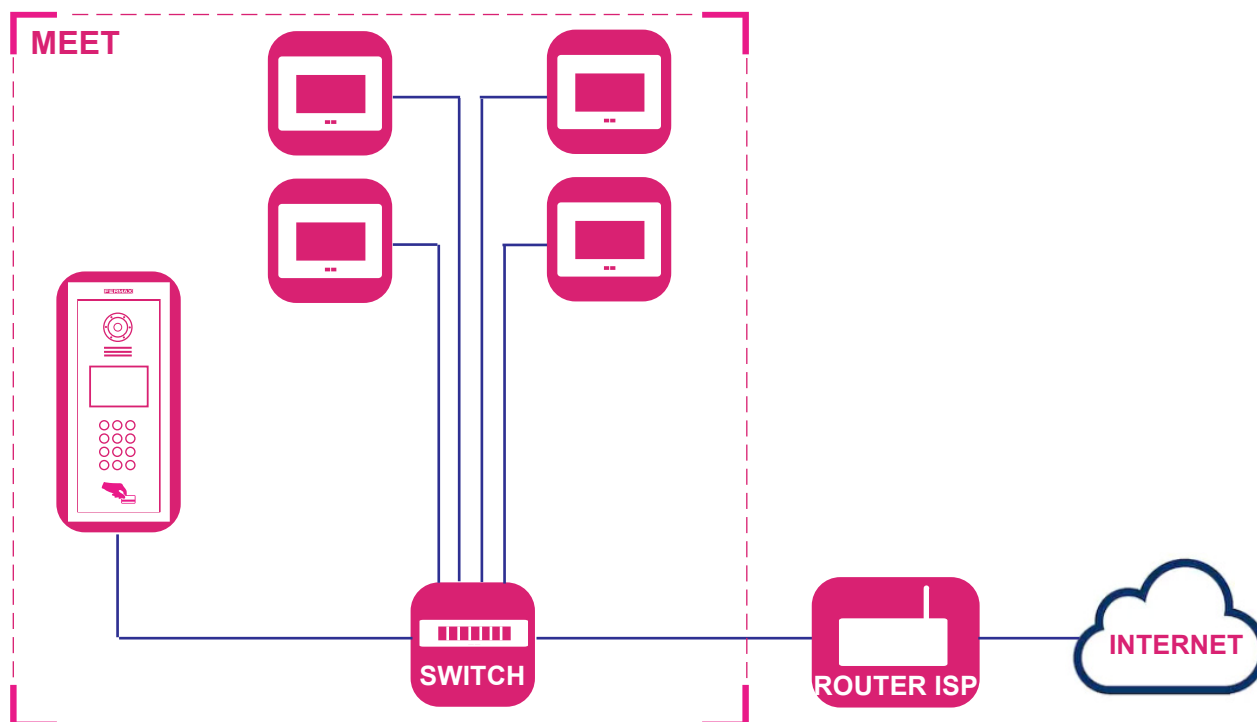
## 1. INTRODUCTION

The MEET ME APP is the app that allows you receive calls from MEET panels & guard units whenever there is a monitor installed in the house and at least one panel in the installation.

The MEET installation must be connected to the Internet.

It's a free APP from Google Play or Apple Store. Check availability of the APP in your area. Requires mobile phone compatible with Android version 8 or higher and Apple version 13 or higher.

The USERNAME and PASSWORD details are found on a label on each MEET monitor.



## 2. INSTALLATION

### Installation requirements:

- Verify that the MEET system is installed correctly and makes calls normally.

**PRECAUTIONS:** It is necessary to verify the following in the installation:

- Confirm that the router does not have the SIP ALG option and if it does, it is deactivated.
  - - The operator must not filter SIP packets to port 5060.
  - - The router or operator firewall must not block the Meet devices communication.
  - There are no other SIP servers or SIP-based services in the installation.
  - The upload bandwidth must be at least 3Mb per telephone panel communication.
  - MEET devices are upgraded to version 2.0 or higher.
  - The MEET device and ROUTER must be on the same network (IP ranges).
- The free user account required by the APP is included on the monitors via a label. This will allow the APP to be connect with the monitor.
- On the monitor we will add the account indicated on the label as an **extension**, where the call will be diverted.

### 2.1 INSTALLATION STEPS

#### STEP 1: Monitor label and Panel label.

Find the MEET label on the monitor and the MEET label on the panel.

<p>For example MONITOR label:</p> <p>Username: 0000018</p> <p>Password: ABC123GH</p>	<p>Username: 0000018</p> <p>Password: ABC123GH</p> <p>meet.fermax.com</p>	<p>For example PANEL label:</p> <p>Username: 0065478</p> <p>Password: CNM8HI2V</p>	<p>Username: 0065478</p> <p>Password: CNM8HI2V</p> <p>meet.fermax.com</p>
--	---	--	---

## STEP 2: PANEL & Guard Unit web server configuration.

- Correctly configure the call divert server in the cloud properly on each of the panels.
- Find the label on the plate with the user account on it.
- Connect to the panel's web server.

As the MEET installation must be connected to the Internet in order to have call forwarding to the mobile phone, there are some options within the screens: GENERAL and NETWORK SETTINGS, which must be set up for proper operation.

The rest of the options on these screens must already be set up and have the values that were programmed when the MEET installation was first carried out. [See manuals corresponding to the MEET system on the web.](#)

### a) Select the NETWORK CONFIGURATION option.

Remember that in the NETWORK CONFIGURATION screen of the panel, in the GATEWAY option, there must be the IP of the router that has Internet access.

All other options on this screen must have the values that were programmed when the MEET installation was first carried out. [See manuals for the system on the web.](#)

- Click and select NETWORK CONFIGURATION and set the following parameters:
  - GATEWAY: **IP address of the router that has Internet access.**
  - DNS: **DNS on the panel.** By default: 8.8.8.8
- Press **SAVE**

### b) Select the GENERAL option.

- Click and select GENERAL and set the following parameter:
  - SIP CALL DIVERT MODE: Select **PARALLEL**
- Press **SAVE**

**c) Select the SIP option.**

- Click and select SIP and set the following parameters:
  - SIP SERVER: **sip:sip.fermax.com**
  - DOMAIN: **sip.fermax.com**
  - STUN IP: **0**. (This value can be automatically updated).
  - STUN PORT: **5060**
  - H.264: **102**
  - SIP USER: **Username on the panel label.**
  - PASS SIP: **Password from the panel label.**
- Press **SAVE**

**Important note:** This screen corresponds to a building outdoor panel. 1 Line panel will have its corresponding screen.

**STEP 3: MONITOR web server configuration.**

- Correctly configure the call forwarding server in the cloud properly on the home monitor. If there is more than one monitor in the house, it would be only programmed on the main one (MONITOR: 0). This setup is in the GENERAL option. [View screen 1](#).
- Find the monitor label with the account to be used by the monitor.
- Connect to the monitor's web server.

As the MEET installation must be connected to the Internet in order to have call divert to the mobile phone, there are some options within "NETWORK CONFIG." that must be set up to for it to work properly. The rest of the options on this screen must already be set up and have the values that were programmed when the MEET installation was first carried out. [See manuals corresponding to the MEET system on the web.](#)

**a) Select the NETWORK CONFIGURATION option.**

- Click and select NETWORK CONFIGURATION and set the following parameters:
  - GATEWAY: **IP address of the router that has Internet access.**
  - DNS: **DNS on the panel.** By default: 8.8.8.8
- Press **SAVE**

**b) Select the ADVANCED option.**

- Click and select ADVANCED and set the following parameters
  - In the **SIP EXT** field select **1**.
  - In the **URL** field, enter the USERNAME (0000018) indicated on the monitor label, adding the text indicated on the screen: **sip:0000018@sip.fermax.com**
  - Press **SAVE**.

*Example:  
Monitor label*



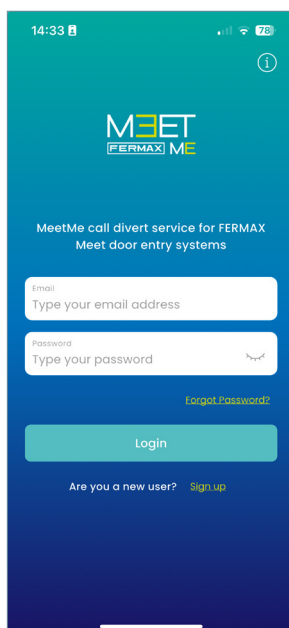
**STEP 4: Download and install the APP.**

Downloading and installing the APP.

1. In Google Play or Apple Store, search and download FERMAX MEET ME.



2. Register your account with your email and password by clicking on 'Sign me up'.



Then follow the process indicated in the app and add your home using the credentials included in your monitor or diversion licence.




**1. YOUTUBE**





The device you have purchased is identified under Directive 2012/19/EU on waste electrical and electronic equipment.

For more information, visit [www.fermax.com](http://www.fermax.com)  
 Contact: [tec@fermax.com](mailto:tec@fermax.com) / [www.fermax.com/contact](http://www.fermax.com/contact)







**FERMAX**

FERMAX ELECTRONICA S.A.U

Avenida Tres Cruces, 133

46017 Valencia, Spain