

MaxLite® 4ft & 8ft Vapor Tight - Value Vapor Tight VE Series (Wattage and CCT select)



General Safety Information

- To reduce the risk of death, personal injury or property damage from fire, electric shock, falling parts, cuts/abrasions, and other hazards read all warnings and instructions included with and on the fixture box and all fixture labels.
- Before installing, servicing, or performing routine maintenance upon this equipment, follow these general precautions.
- Commercial installation, service and maintenance of luminaires should be performed by a qualified licensed electrician.
- For Residential installation: If you are unsure about the installation or maintenance of the luminaires, consult a qualified licensed electrician and check your local electrical code.
- DO NOT INSTALL DAMAGED PRODUCT!



Picture is for illustration purposes only. Your model may vary.

WARNING: RISK OF ELECTRICAL SHOCK

- Turn off electrical power at fuse or circuit breaker box before wiring fixture to the power supply.
- Turn off the power when you perform any maintenance.
- Verify that supply voltage is correct by comparing it with the luminaire label information.
- Make all electrical and grounded connections in accordance with the National Electrical Code and any applicable local code requirements.
- All wiring connections should be capped with UL approved wire connectors.

CAUTION: RISK OF INJURY

- Wear gloves and safety glasses at all times when removing luminaire from carton, installing, servicing or performing maintenance.
- Avoid direct eye exposure to the light source while it is on.
- Account for small parts and destroy packing material, as these may be hazardous to children.

CAUTION: RISK OF FIRE

- Keep combustible and other materials that can burn away from luminaire and lamp/lens.

NOTE: Minimum 75° supply conductors.






NOTE: Specifications and dimensions subject to change without notice.










NOTE: Suitable for wet locations.










Models:









This instruction manual applies to the VE Series

Accessory Pack Included With The Fixture:

VE-4U23WCS	
	x2
	x2
	x1
	x4
	x4
	x4
	x2
	x2
	x1

VE-4U23WCSEM	
	x2
	x2
	x1
	x4
	x4
	x4
	x5
	x2
	x1

VE-8U65WCS	
	x4
	x4
	x1
	x8
	x8
	x4
	x2
	x2
	x1

VE-8U65WCSEM	
	x4
	x4
	x1
	x8
	x8
	x4
	x5
	x2
	x1



**MaxLite® 4ft & 8ft Vapor Tight - Value Vapor Tight VE Series
(Wattage and CCT select)**



Setting Wattage & Color Temperature

Note: Applicable to models ending in WCS only. Models are set to lowest wattage and 4000K.

Color settings:
 Left, stands for 5000K;
 Middle, stands for 4000K;
 Right, stands for 3500K;

Wattage settings:
 Left, stands for High;
 Middle, stands for Medium;
 Right, stands for Low;

5000K 4000K 3500K

H M L

The end users may adjust the color temperature and lumen output respectively by the two DIP switch. Each DIP switch is accommodated with 3 options (left, middle and right), corresponding to 3 color temperatures and 3 powers respectively, which can perform the desired color temperature and lumen output combination.

1. DIP switches are located onto the side of the fixture.
2. Select a wattage and color temperature by sliding switch left or right respectively to the desired value.



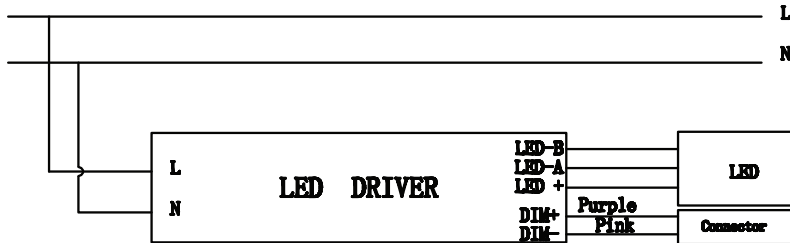
MaxLite® 4ft & 8ft Vapor Tight - Value Vapor Tight VE Series (Wattage and CCT select)



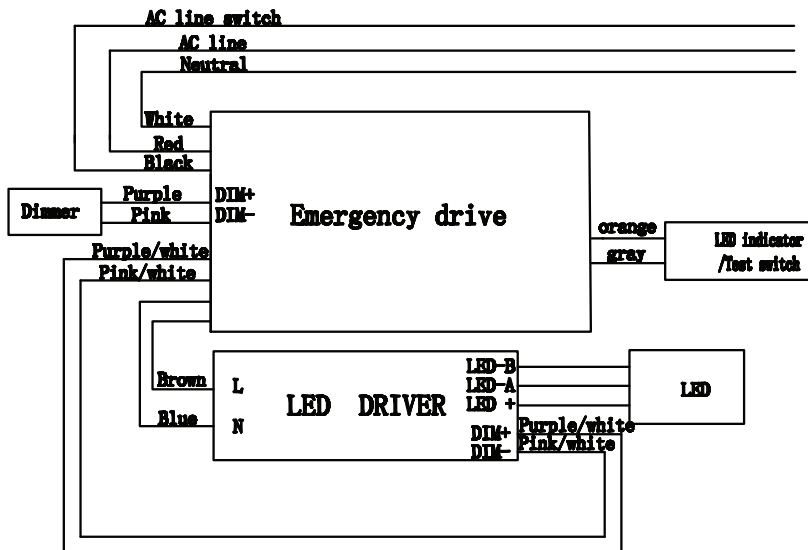
Wiring Diagrams

CAUTION: Turn off electrical power at fuse or circuit breaker box before wiring fixture to the power supply.

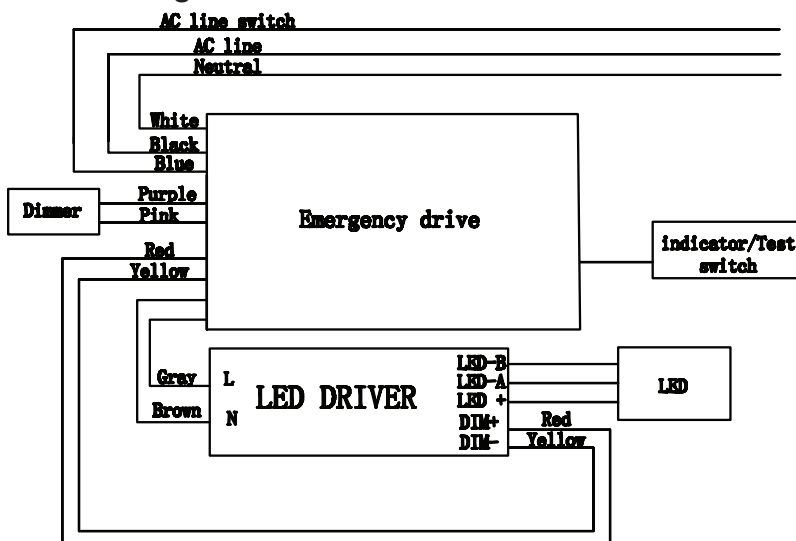
Standard wiring for 4' and 8" models:



4ft EM wiring:



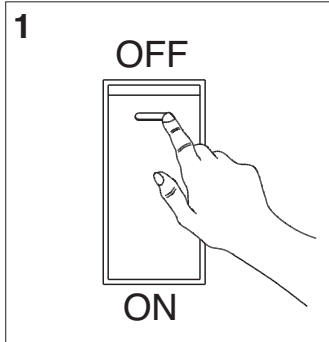
8ft EM wiring:



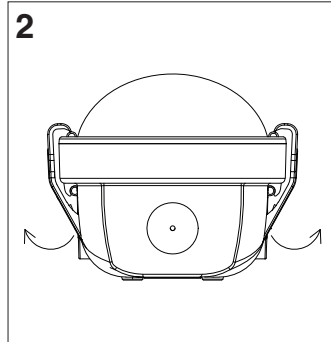


**MaxLite® 4ft & 8ft Vapor Tight - Value Vapor Tight VE Series
(Wattage and CCT select)**

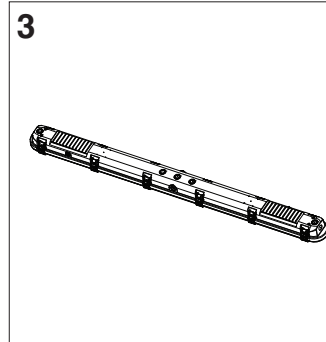
Surface Mounting Installation Instructions



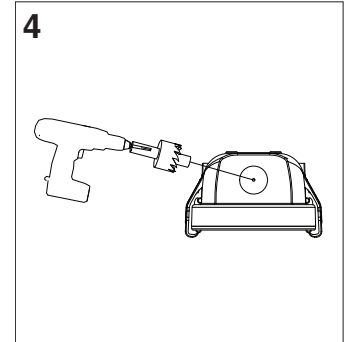
1. Disconnect the main power supply.



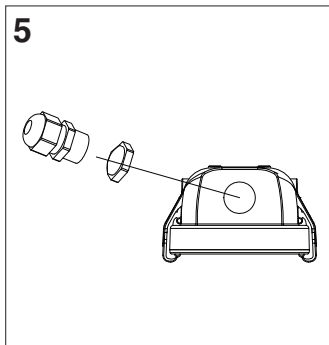
2. Release lamp by pulling side buckles away from the housing.



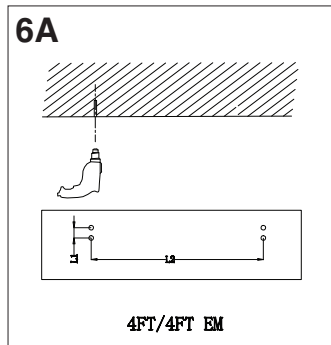
3. Choose the hole position for wiring.
(\varnothing 20.5mm)



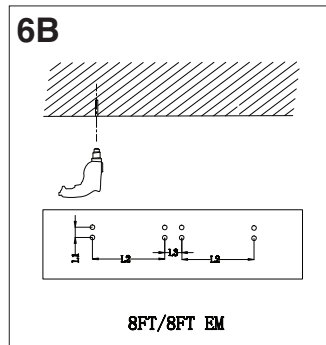
4. Use a punch tool to make holes.



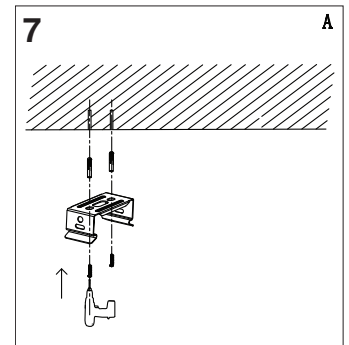
5. Install the waterproof terminal into the punched hole.



6A. 4FT/4FT EM Models:
Mark the hole position and punch holes.
L1=26.5mm (1.04in)
L2=856mm (33.7in)



6B. 8FT/8FT EM Models:
Mark the hole position and punch holes.
L1=26.5mm (1.04in)
L2=940mm (37in)
L3=120mm (4.72in)

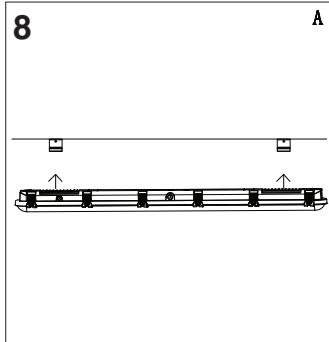


7. After inserting the expansion pipe into the ceiling, use screws to tighten the hanger clip.

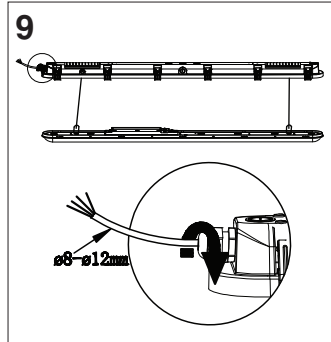


MaxLite® 4ft & 8ft Vapor Tight - Value Vapor Tight VE Series
(Wattage and CCT select)

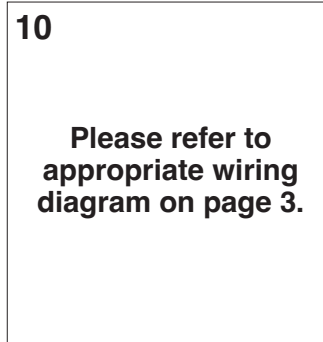
Surface Mounting Installation Instructions (Continued)



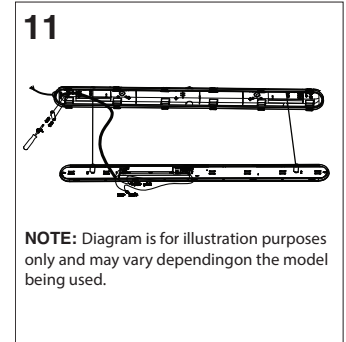
8. Push the lamp body into the hanger clip and lock it in place.



9. Thread the input line through the waterproof connector, confirm the wiring length, and tighten the outer nut clockwise.

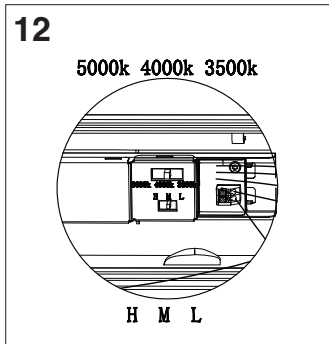


Please refer to appropriate wiring diagram on page 3.

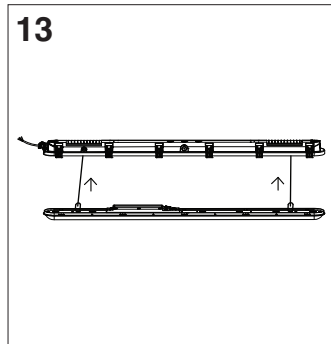


NOTE: Diagram is for illustration purposes only and may vary depending on the model being used.

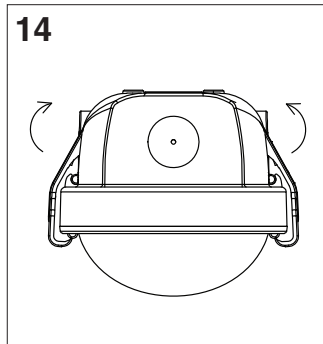
11. Secure the wires with screws on the wire board, according to the wiring diagram.



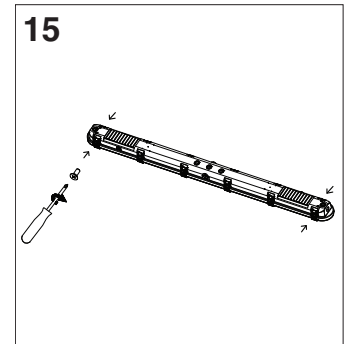
12. Select the desired power and color temperature level.



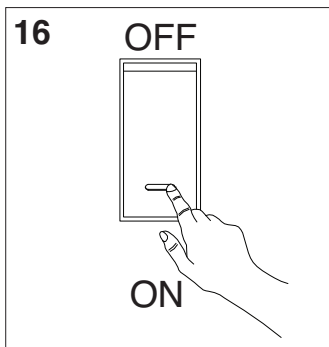
13. Cover the lampshade module.



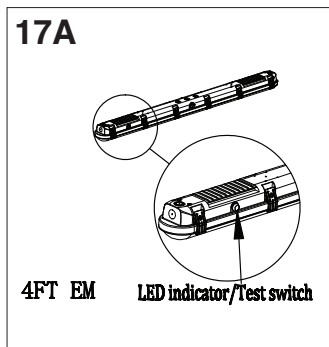
14. Fasten the side buckles.



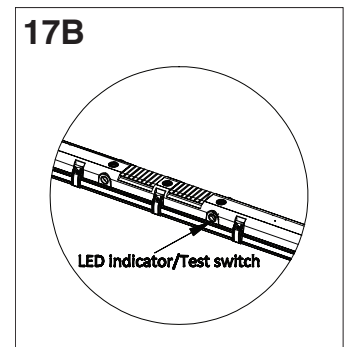
15. Tighten the screws on the 4 side buckles as shown.



16. Reconnect the main power supply.



17A. 4FT/4FT EM Models:
Test switch: Emergency conversion kit will go into emergency mode if test switch is pressed when main supply is on. It will go into charging mode when switch is not pressed. In emergency mode, press the test switch for 3 seconds to turn off the current emergency state.
LED indicator: Red means charging mode or charging full. Red off means mains power is off or discharging mode.

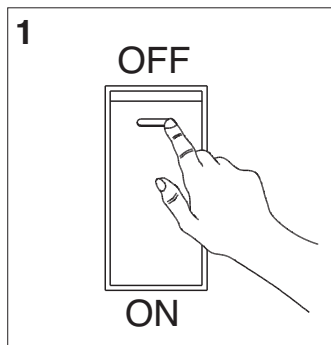


17B. 8FT/8FT EM Models:
LED Indicator:
① Green/Blinking: charging
② Green/ON: fully charged
③ Red /ON: discharge (EM mode)
④ Red/Blinking: The battery is low
⑤ Yellow: Error
Test switch: Press the test switch. Green turns to Red then emergency function is normal.

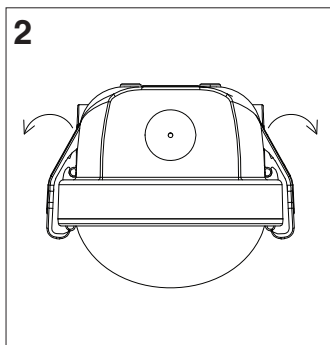


MaxLite® 4ft & 8ft Vapor Tight - Value Vapor Tight VE Series (Wattage and CCT select)

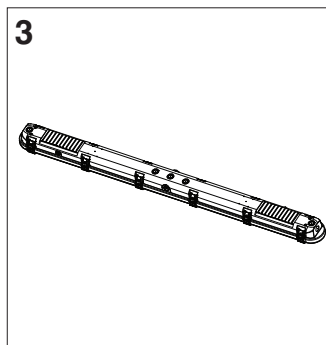
Chain Suspended Mounting Installation Instructions



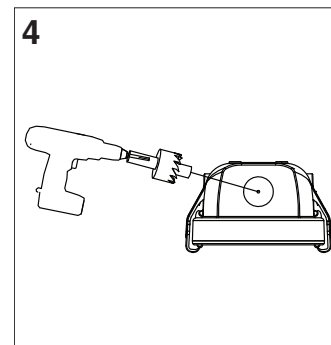
1. Disconnect the main power supply.



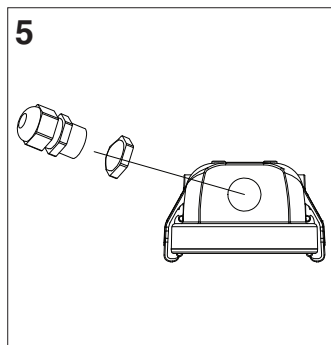
2. Release lamp by pulling the side buckles away from the housing.



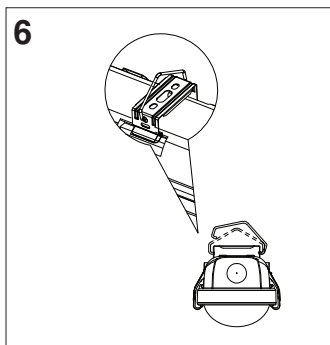
3. Choose the hole position for wiring.



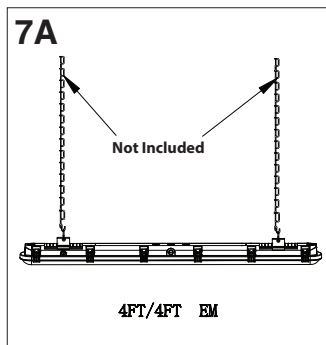
4. Use a punch tool to make holes. (ø20.5mm)



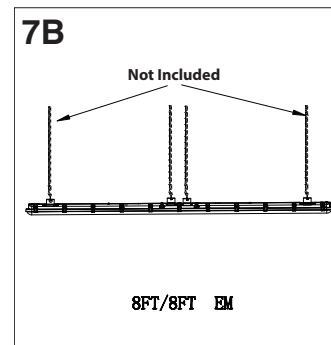
5. Install the waterproof terminal into the punched hole.



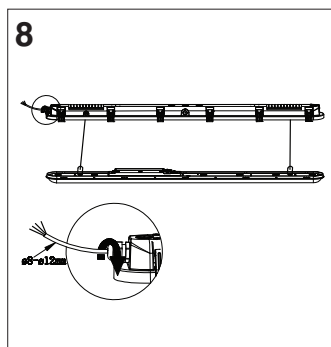
6. Secure the lamp body with the V-hook, then hook the V-hook into the clip.



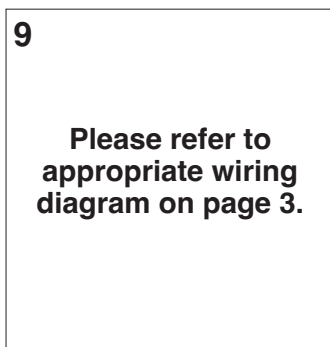
7A. 4FT/4FT EM Models: Hang the fixture using the V-Hook on to the Cables/Chain (not included)



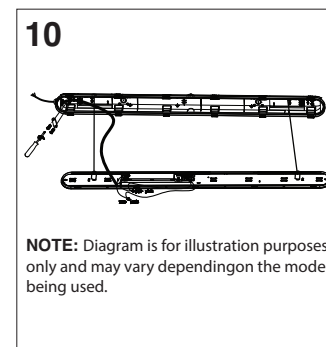
7B. 8FT/8FT EM Models: Hang the fixture using the V-Hook on to the Cables/Chain (not included)



8. Thread the input line through the waterproof connector, confirm the wiring length, and tighten the outer nut clockwise.

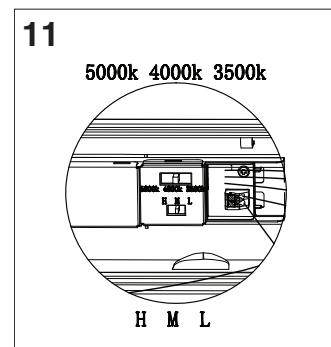


Please refer to appropriate wiring diagram on page 3.



NOTE: Diagram is for illustration purposes only and may vary depending on the model being used.

10. Secure the wires with screws on the wire board, according to the wiring diagram.

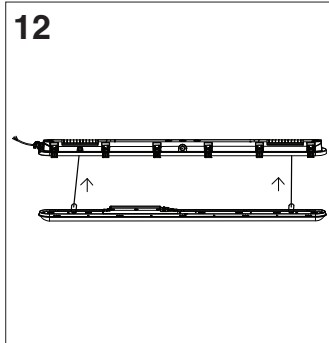


11. Toggle the DIP switch to select the desired power and color temperature level.

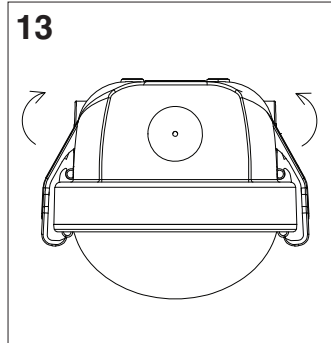


**MaxLite® 4ft & 8ft Vapor Tight - Value Vapor Tight VE Series
(Wattage and CCT select)**

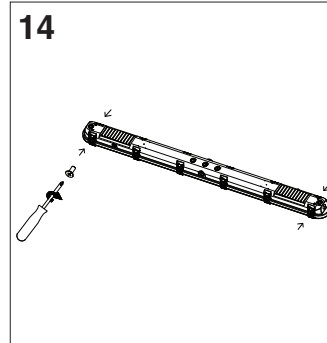
Chain Suspended Mounting Installation Instructions (Continued)



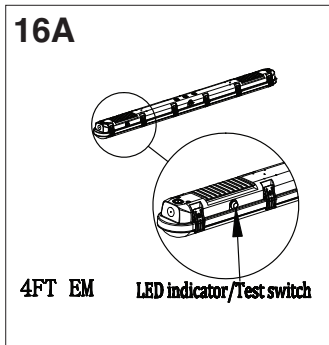
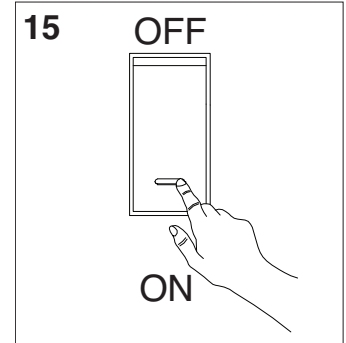
12. Cover the lamp shade module.



13. Fasten the side buckles.



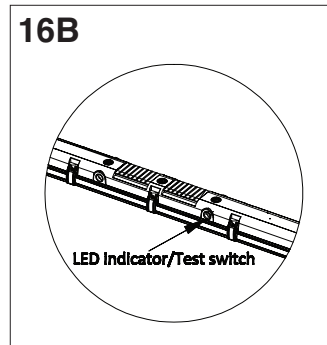
14. Tighten the screws on the four side buckles as shown.



16A. 4FT/4FT EM Models:

Test switch: Emergency conversion kit will go into emergency mode if test switch is pressed when main supply is on. It will go into charging mode when switch is not pressed. In emergency mode, press the test switch for 3 seconds to turn off the current emergency state.

LED indicator: Red means charging mode or charging full. Red off means mains power is off or discharging mode.



16B. 8FT/8FT EM Models:

LED Indicator:

- ① **Green/Blinking: charging**
- ② **Green/ON: fully charged**
- ③ **Red /ON: discharge (EM mode)**
- ④ **Red/Blinking: The battery is low**
- ⑤ **Yellow: Error**

Test switch: Press the test switch. Green turns to Red then emergency function is normal.

MaxLite® 4ft & 8ft Vapor Tight - Value Vapor Tight VE Series (Wattage and CCT select)



FCC Statement

This device complies with part 15 of the FCC Rules. Operation is subject to the following two conditions: (1) This device may not cause harmful interference, and (2) this device must accept any interference received, including interference that may cause undesired operation.

NOTE: This equipment has been tested and found to comply with the limits for a Class A digital device, pursuant to part 15 of the FCC Rules. These limits are designed to provide reasonable protection against harmful interference when the equipment is operated in a commercial environment. This equipment generates, uses, and can radiate radio frequency energy and, if not installed and used in accordance with the instruction manual, may cause harmful interference to radio communications. Operation of this equipment in a residential area is likely to cause harmful interference in which case the user will be required to correct the interference at his own expense. Any changes or modifications to this unit not expressly approved by the party responsible for compliance could void the user's authority to operate the equipment. Any changes or modifications to this unit not expressly approved by the party responsible for compliance could void the user's authority to operate the equipment.

Warranty Information

5-Year standard warranty with labor allowance*

(see terms at www.maxlite.com/warranties)

*Warranty Limitations: Product must be rated for application per the Product Data Sheet (PDS); operated ≤16 hrs; in ambient temperatures -4°F to 77°F.

*Up to \$25/unit; registration required. Additional coverage may be available for purchase; contact MaxLite.

*Excludes EM/MS versions; component warranty applies.

*If ambient temperatures fall outside the -4°F to 77°F range; product is warrantied for 5 years according to the operating temperature range specified on the PDS.

Limitation of Liability

THE FOREGOING WARRANTY IS EXCLUSIVE, AND IS THE SOLE REMEDY FOR ANY AND ALL CLAIMS, WHETHER IN CONTRACT, IN TORT OR OTHERWISE ARISING FROM THE FAILURE OF PRODUCT AND IS IN LIEU OF ALL OTHER WARRANTIES, EXPRESS OR IMPLIED, INCLUDING ALL WARRANTIES OF MERCHANTABILITY OR FITNESS FOR A PARTICULAR PURPOSE, WHICH WARRANTIES ARE HEREBY EXPRESSLY DISCLAIMED TO THE EXTENT PERMITTED BY LAW AND, IN ANY EVENT, SHALL BE LIMITED TO THE WARRANTY PERIOD SPECIFIED ABOVE. THE LIABILITY OF MAXLITE SHALL BE LIMITED TO THE TERMS OF THE EXPRESS WARRANTY SET FORTH HEREIN. IN NO EVENT WILL MAXLITE BE LIABLE FOR ANY SPECIAL, INCIDENTAL OR CONSEQUENTIAL DAMAGES INCLUDING, WITHOUT LIMITATION, DAMAGES RESULTING FROM LOSS OF USE, PROFITS, BUSINESS OR GOODWILL, LABOR COSTS, REMOVAL OR INSTALLATION COSTS, DECREASE IN THE LIGHT OUTPUT OF THE LAMP, AND/OR DETERIORATION IN THE LAMP'S PERFORMANCE, WHETHER OR NOT MAXLITE HAS BEEN ADVISED OF THE POSSIBILITY THEREOF. UNDER NO CIRCUMSTANCES SHALL MAXLITE'S ENTIRE LIABILITY FOR A DEFECTIVE PRODUCT EXCEED THE PURCHASE PRICE OF THAT PRODUCT. WARRANTY SERVICES PROVIDED UNDER THESE TERMS AND CONDITIONS DO NOT ENSURE THE UNINTERRUPTED OPERATION OF PRODUCTS; MAXLITE SHALL NOT BE LIABLE FOR DAMAGES CAUSED BY ANY DELAYS INVOLVING WARRANTY SERVICE.

This Limited Warranty gives you specific legal rights and you may also have other rights that may vary from state to state. Because some states or jurisdictions do not allow the exclusion or limitation of liability for consequential or incidental damages, this limitation may not apply to you.