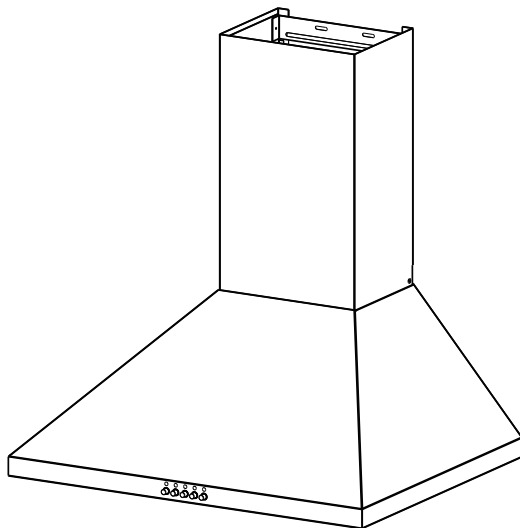


Comfee

en

Comfee CVP 30 / 36 inch Pyramid Range Hood

Power Supply: 120V
Rated Power: 323W
Frequency: 60Hz



Free 3 months extension of the original limited warranty period!* Simply text a picture of your proof of purchase to:

1-844-224-1614

*The warranty extension is for the three months immediately following the completion of the product's original warranty period.

Model Numbers CVP30W6AST
CVP36W6AST

IMPORTANT SAFETY INSTRUCTIONS

WARNING

TO REDUCE THE RISK OF FIRE, ELECTRIC SHOCK, OR INJURY TO PERSONS, OBSERVE THE FOLLOWING:

- A. Use this unit only in the manner intended by the manufacturer. If you have questions, contact the manufacturer
- B. Before servicing or cleaning the unit, switch power off at service panel and lock service panel disconnecting means to prevent power from being switched on accidentally. When the service disconnecting means cannot be locked, securely fasten a prominent warning device, such as a tag, to the service panel.
- C. Installation Work and Electrical Wiring Must Be Done By Qualified Person(s) In Accordance With all Applicable Codes & Standards, Including Fire-rated Construction.
- D. Sufficient air is needed for proper combustion and exhausting of gases through the flue (Chimney) of fuel burning equipment to prevent back-drafting. Follow the heating equipment manufacturers guideline and safety standards such as those published by the National Fire Protection Association (NFPA), the American Society for Heating, Refrigeration and Air Conditioning Engineers (ASHRAE), and the local code authorities.
- E. When cutting or drilling into wall or ceiling, do not damage electrical wiring and other hidden utilities.
- F. Ducted systems must always be vented to the outdoors.

WARNING

To Reduce The Risk Of Fire Or Electric Shock, Do Not Use This Hood With Any External Solid State Speed Control Device.

WARNING

TO REDUCE THE RISK OF INJURY TO PERSONS, IN THE EVENT OF A RANGE TOP GREASE FIRE, OBSERVE THE FOLLOWING:

- a) SMOTHER FLAMES** with a close - fitting lid, cookie sheet, or other metal tray, then turn off the gas burner or the electric element. **BE CAREFUL TO PREVENT BURNS.** If the flames do not go out immediately, **EVACUATE AND CALL THE FIRE DEPARTMENT.**
- b) NEVER PICK UP A FLAMING PAN** - you may be burned.
- c) DO NOT USE WATER**, including wet dishcloths or towels - a violent steam explosion will result.
- d) Use an extinguisher ONLY** if:
 - 1) You know you have a class ABC extinguisher, and you already know how to operate it.
 - 2) The fire is small and contained in the area where it started.
 - 3) The fire department is being called.
 - 4) You can fight the fire with your back to an exit.

OPERATION

Always leave safety grills and filters in place. Without these components, operating blowers could catch onto hair, fingers and loose clothing.

The manufacturer declines all responsibility in the event of failure to observe the instructions given here for installation, maintenance and suitable use of the product. The manufacturer further declines all responsibility for injury due to negligence and the warranty of the unit automatically expires due to improper maintenance.

WARNING

Unplug or disconnect the appliance from the power supply before servicing.

IMPORTANT SAFETY INSTRUCTIONS

Read all instructions before using this appliance.

Save these instructions for future references

Approved for residential appliances

For residential use only

Do not attempt to install or operate your appliance until you have read the safety precautions in this manual. Safety items throughout this manual are labeled with a WARNING or CAUTION based on the risk type.

▲ This is the safety alert symbol. It is used to alert you to potential personal injury hazards. Obey all safety messages that follow this symbol to avoid possible injury or death.

WARNING

This symbol alerts you to situations that may cause serious body harm, death or property damage.

CAUTION

CAUTION indicates a potentially hazardous situation which, if not avoided, may result in minor or moderate injury.

IMPORTANT

IMPORTANT indicates installation, operation, maintenance or valuable information that is not hazard related.

IMPORTANT SAFETY INSTRUCTIONS

CAUTION

FOR GENERAL VENTILATING USE ONLY. DO NOT USE TO EXHAUST HAZARDOUS OR EXPLOSIVE MATERIALS OR VAPORS.

CAUTION

USE ONLY WITH RANGE HOOD CORD CONNECTION KITS THAT HAVE BEEN INVESTIGATED AND FOUND ACCEPTABLE FOR USE WITH THIS MODEL RANGE HOOD.

WARNING

GROUNDING INSTRUCTIONS

This appliance must be grounded. In the event of an electrical short circuit, grounding reduces the risk of electric shock by providing an escape wire for the electric current. This appliance is equipped with a cord having a grounding wire with a grounding plug. The plug must be plugged into an outlet that is properly installed and grounded.

WARNING - IMPROPER GROUNDING CAN RESULT IN A RISK OF ELECTRIC SHOCK.

Consult a qualified electrician if the grounding instructions are not completely understood, or if doubt exists as to whether the appliance is properly grounded.

Do not use an extension cord. If the power supply cord is too short, have a qualified electrician install an outlet near the appliance.

CAUTION

To reduce risk of fire and to properly exhaust air, do not vent exhaust air into spaces within walls, ceilings, attics, crawl spaces, or garages.

WARNING

TO REDUCE THE RISK OF FIRE, USE ONLY METAL DUCT WORK.

Install this hood in accordance with all requirements specified.

WARNING

TO REDUCE THE RISK OF A RANGE TOP GREASE FIRE.

- Never leave surface units unattended at high settings. Boilovers cause smoking and greasy spillovers that may ignite. Heat oils slowly on low or medium settings.
- Always turn hood ON when cooking at high heat or when flambing food (i.e. Crepes Suzette, Cherries Jubilee, Peppercorn Beef Flambe).
- Clean ventilating fans frequently. Grease should not be allowed to accumulate on fan or filter.
- Use proper pan size. Always use cookware appropriate for the size of the surface element.

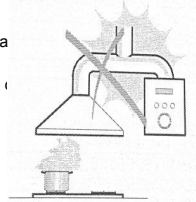
RECOMMENDATIONS AND SUGGESTIONS



The instructions for Use apply to several versions of this appliance. Accordingly, you may find descriptions of individual features that do not apply to your specific appliance.

INSTALLATION

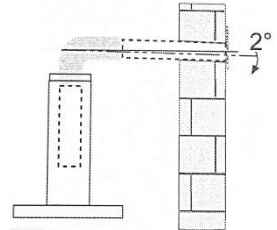
- The manufacturer will not be held liable for any damages resulting from incorrect or improper installation.
- The minimum distance between the supporting surface for the cooking vessels on the Range hood and the lowest part of the range hood. (When the range hood is located above a gas appliance, this distance shall be at least 65 feet. If the instructions for installation for the gas range hood specify a greater distance, this has to be taken into account. The distance of 65 feet can be reduced for: non-combustible parts of range hoods, and parts operating at safety extra low voltage. Provided these parts do not give access to live parts if deformed.)
- Check that the mains voltage corresponds to that indicated on the rating plate fixed to the hood.
- For Class I appliances, check that the domestic power supply guarantees adequate earthing.
- Connect the extractor to the exhaust flue through a pipe of minimum diameter 120inch. The route of the flue must be as short as possible.
- The air must not be discharged into a flue that is used for exhausting fumes from appliances burning gas or other fuels.
- If the extractor is used in conjunction with non-electrical appliances (e.g. gas burning appliances), a sufficient degree of aeration must be guaranteed in the room in order to prevent the backflow of exhaust gas. The kitchen must have an opening communicating directly with the open air in order to guarantee the entry of clean air. When the cooker hood is used in conjunction with appliances supplied with energy other than electric, the negative pressure in the room must not exceed 0,04 mbar to prevent fumes being drawn back into the room by the cooker hood.
- Regulations concerning the discharge of air have to be fulfilled.



USE

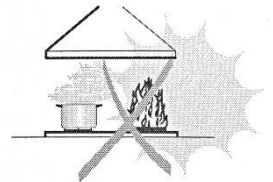
The cooker hood is only for home use, not suitable for barbecue, roast shop and other commercial purposes.


- Never use the hood for purposes other than for which it has been designed.
- Never leave high naked flames under the hood when it is in operation.
- Adjust the flame intensity to direct it onto the bottom of the pan only, making sure that it does not engulf the sides.
- Deep fat fryers must be continuously monitored during use: overheated oil can burst into flames.
- Do not flame under the range hood; risk of fire.
- This appliance can be used by children aged from 8 years and above and persons with reduced physical, sensory or mental capabilities or lack of experience and knowledge if they have been given supervision or instruction concerning use of the appliance in a safe way and understand the hazards involved.
- Children should be supervised to ensure that they do not play with the appliance.
- Cleaning and user maintenance shall not be made by children without supervision.
- "CAUTION: Accessible parts may become hot when used with cooking appliances".



MAINTENANCE

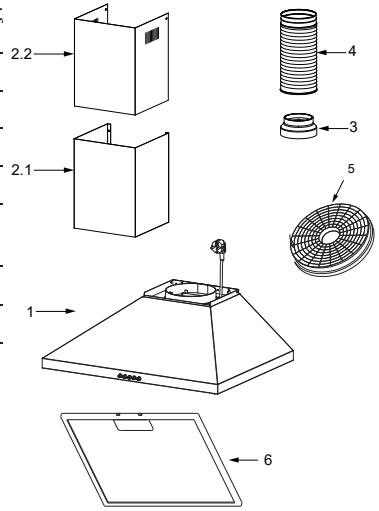
- The cooker hood and its filter should be cleaned regularly according to the instruction.
- Switch off or unplug the appliance from the mains supply before carrying out any maintenance work.
- Clean and/or replace the Filters after the specified period (Fire hazard).
- Clean the hood using a damp cloth and a neutral liquid detergent.
- The appliance uses 4 range hood elements at most.



The symbol  is packaging indicates that this product may not be treated as household waste. Instead it shall be handed over to the applicable collection point for the recycling of electrical and electronic equipment. By ensuring this product is disposed of correctly, you will help prevent potential negative consequences for the environment and human health, which could otherwise be caused by inappropriate waste handling of this product. For more detailed information about recycling of this product, please contact your local city office, your household waste disposal service or the shop where you purchased the product.

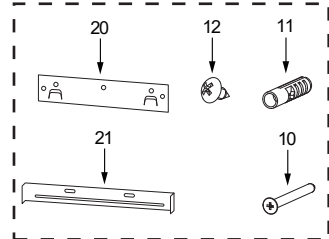
COMPONENTS

Ref.	Qty.	Product Components
1	1	Hood Body, complete with Controls, Light Blower, Filter.
2.1	1	Lower Decorative Chimney
2.2	1	Upper Decorative Chimney (Adjustable)
3	1	Flange (Adjustable)
4	1	Exhaust Pipe
5	2	The Activated Charcoal filter (Sell Sprately, Part# CVP/CVG-CF)
6	2	Grease filter (30")
	3	Grease filter (36")



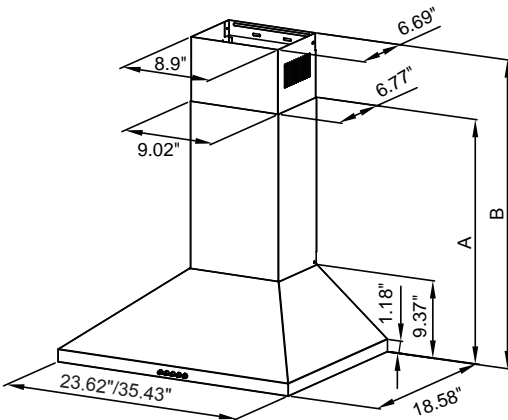
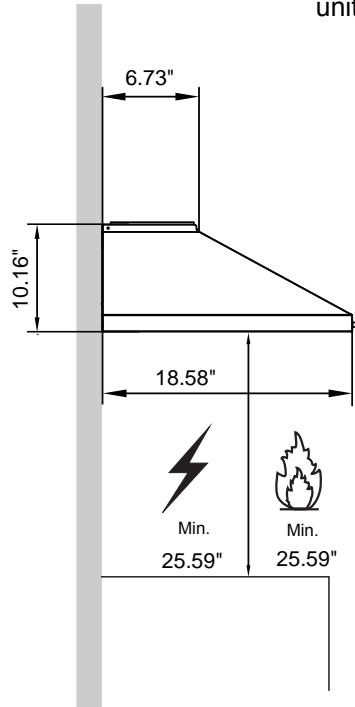
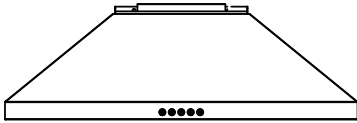
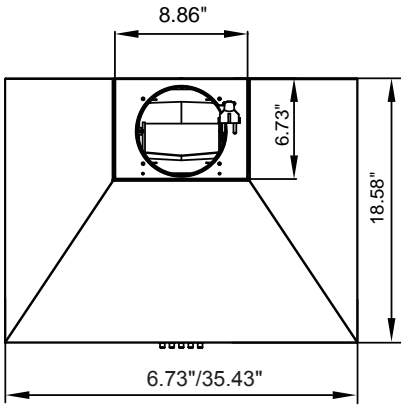
Qty	Documentation
1	Instruction Manual

Ref.	Qty.	Optional Installation Components
10	7	Screws 0.2" x 1.97" (0.5 x 5 cm)
11	7	Wall Plugs
12		Screws 0.17" x 0.37" (0.42 x 0.95 cm)
20	1	Hood fixing bracket
21	1	Chimney fixing bracket (Adjustable)



DIMENSIONS

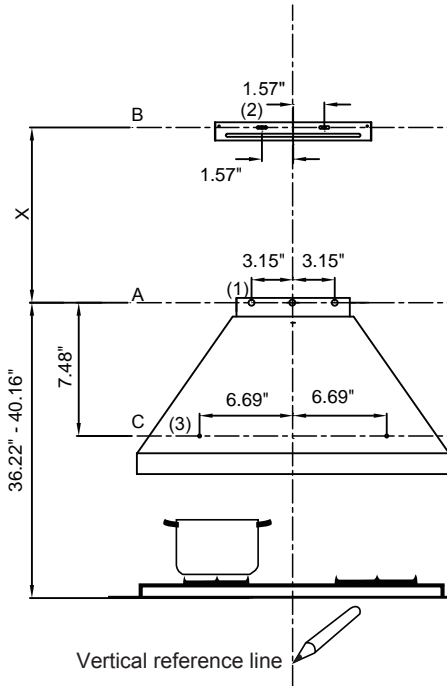
unit: inch



Option	Chimney	A	B
1	15.75" + 0	24.72"	/
2	15.75" + 11.81"	24.72"	26.38" - 35.83"
3	15.75" + 15.35"	24.72"	26.38" - 39.37"

INSTALLATION

WALL DRILLING AND BRACKET FIXING



Option	Chimney	X
1	$15.75" + 0$	/
2	$15.75" + 11.81"$	$15.35" - 24.41"$
3	$15.75" + 15.35"$	$15.35" - 27.95"$

As a first step, proceed with the following drawings:

- A vertical line up to the ceiling or up to the upper limit, at the center of the area in which the hood is to be fitted.
- A horizontal line **A** at $36.22" - 40.16"$ above the cooker top.
- A horizontal line **B** at a **X** inch above the horizontal line **A**.
- A horizontal line **C** at a $7.48"$ below the horizontal line **A**.

Mark Points:

- Mark a point (1) on the horizontal line **A**, $3.15"$ to the vertical reference line.
- Repeat this operation on the other side and on the vertical reference line, checking that the three marks are leveled.
- Mark a point (2) on the horizontal line **B**, $1.57"$ to the vertical reference line.
- Repeat this operation on the other side, checking that the two marks are leveled.
- Mark a point (3) on the horizontal line **C**, $6.69"$ to the vertical reference line.
- Repeat this operation on the other side, checking that the two marks are leveled.

Fix the brackets :

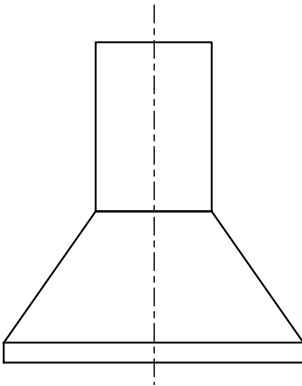
- Drill holes at the marked points with a 0.38" drill bit.
- Insert the Wall Plugs 11 into the holes.
- Fix the hood fixing bracket **20** with 3 screws **10** (5 x 50) at the horizontal line **A**.
- Fix a Chimney fixing bracket **21** with 2 screws **10** (5 x 50) at the horizontal line **B**.

Assembling Hood Body to Bracket

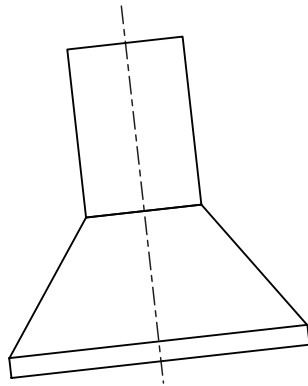
Hook the hood body to the bracket 20.

Level the hood body itself.

Remove the filter from the inside of the hood body, fix the screws **10** to Wall Plugs **11** at the points (3).



Right



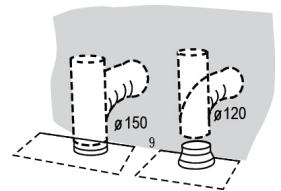
Wrong

DUCTED VERSION AIR EXHAUST SYSTEM

CONNECTIONS

When installing the ducted version, connect the hood to the chimney using either metal a metal flexible or rigid pipe 5.9" or 4.72" , the choice of which is left to the installer.

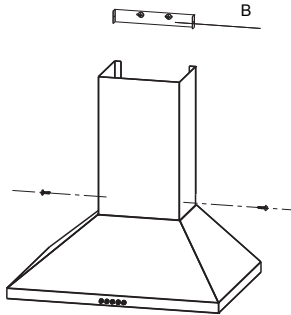
- If to install a 4.72" air exhaust connection, insert the reducer flange **3** on the hood body outlet.
- Fix the pipe **4** in position using sufficient pipe clamps (not supplied).



CHIMNEY ASSEMBLY

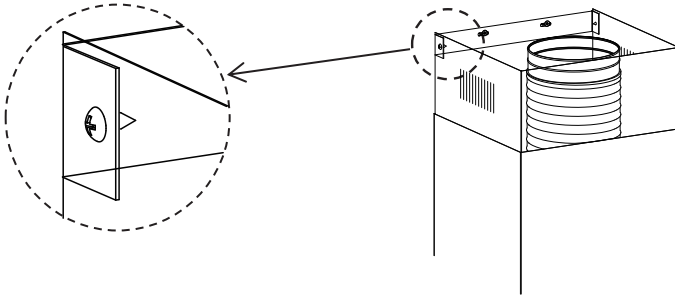
Lower Decorative Chimney

- Fix the Lower Decorative Chimney to the hood body with 2 screws **12** (4.2 x 9.5) supplied with the hood.



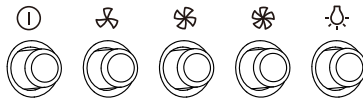
Upper Decorative Chimney

- Fix the upper chimney onto the bracket **21** with 2 screws **12** (4.2 x 9.5) supplied with the hood.



USE

Speed adjustment.



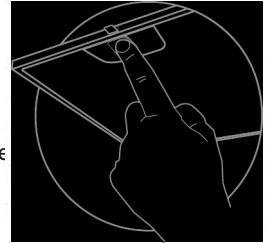
①	OFF MOTOR BUTTON: Press this button to stop the motor operation.
🌀	LOW SPEED : Press this button to operate the unit on the LOW speed setting.
🌀	MEDIUM SPEED: Press this button to operate the unit on the MEDIUM speed setting.
🌀	HIGH SPEED: Press this button to operate the unit on the HIGH speed setting.
💡	ON/OFF LIGHTING BUTTON: Press this button to turn on the lights on, press it again to turn lights off.

MAINTENANCE

GREASE FILTERS

CLEANING METAL SELF-SUPPORTING GREASE FILTERS

- ☒ The filters must be cleaned every 2 months of operation, or more frequently for particularly heavy usage, and can be washed on the top rack of the dishwasher.
- ☒ Remove the filters one by one pushing them towards the back side of the hood unit and simultaneously pulling downwards.
- ☒ Any kind of bending of the filters has to be avoided when washing them. Before fitting them again into the hood make sure that they are completely dry. (The color of the filter surface may change throughout the time but this has no influence on the filter efficiency).
- ☒ When fitting the filters into the hood pay attention that they are mounted in correct position the handle facing outwards.

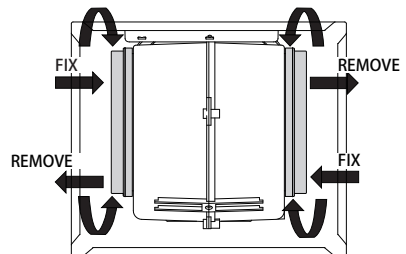


ACTIVATED CHARCOAL FILTER (RECIRCULATION DUCTLESS INSTALLATION)

If you choose Recirculation Ductless Installation, Activated Charcoal Filters are required for operation. Please visit [Amazon.com](https://www.amazon.com) and search for Model # CVP/CVG-CF to purchase the 2 Pack of Charcoal Filters. These filters are not washable and must be replaced every 4 months of operation, or more frequently with heavy usage.

REPLACING THE ACTIVATED CHARCOAL FILTER

- ☒ Remove the metal grease filters
- ☒ Remove the saturated activated charcoal filter.
- ☒ Fit the new filters
- ☒ Replace the metal grease filters.

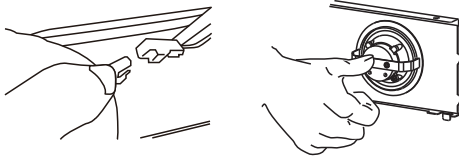



LIGHTING

LIGHT REPLACEMENT

Replacing the light modules

- You cannot replaced the light bulbs, the entire light module has to be replaced.
- When changing the light modules, the contacts are live.
- Before changing the light module(s), unplug the appliance from the mains or switch off the circuit breaker in the fuse box.
- Remove the grease filter .
- Disconnect the terminal of LED light.
- Press LED light on the back of the front plate, take the LED light out.
- Replace the lamp(commmercially available LED lamp (max.1.5w).



	Max Power	Voltage	Picture	Lamp Cap	ILCOS D code
Round/ Diameter: 2.76"	1.5W	DC 12 V		--	DSR-1.5-S-70

Reinstalling the LED light Module

- Press LED light on the front of front plate, install the LED light on the front plate.
- Connect the terminal of LED light and light leads.
- Reinstall the grease filter.

TROUBLE SHOOTING

Problem	Possible Cause	Solution
Light on, but motor does not work	The blades are blocked.	Call Comfee Consumer Service
	The capacitor is damaged.	Call Comfee Consumer Service
	The motor is damaged.	Call Comfee Consumer Service
	The internal wiring of motor is cut off/ disconnected. An unpleasant smell may be produced.	Call Comfee Consumer Service
Both light and motor do not work	Apart from the above mentioned, check the following:	
	Light damaged.	Replace lights.
	Power cord loose.	Connect power cord
Oil leakage	Outlet and the air ventilation entrance are not tightly sealed.	Take down the outlet and seal with glue or clean grease filters.
Vibration	The blade, if damaged, can cause vibrating.	Call Comfee Consumer Service
	The motor is not tightly fastened.	Fasten the motor tightly or Call Comfee Consumer Service.
	The cooker hood is not tightly fixed.	Fixed the cooker hood tightly.
Insufficient suction	The distance between the cooker hood and the cooker top is too large.	Readjust the distance.
	Too much ventilation from open doors or windows.	Choose a new place to install the appliance or close some doors / windows.
The machine inclines	The fixing screws are not tight enough.	Tighten the fixing screw and make it horizontal.
	The hanging screws are not tight enough	Tighten the hanging screw and make it horizontal.

DISPOSAL OF OLD ELECTRICAL APPLIANCES



The European directive 2012/19/EU on Waste Electrical and Electronic Equipment (WEEE), requires that old household electrical appliances must not be disposed of in the normal unsorted municipal waste stream. Old appliances must be collected separately in order to optimize the recovery and recycling of the materials they contain, and reduce the impact on human health and the environment.

The crossed out "wheeled bin" symbol on the product reminds you of your obligation, that when you dispose of the appliance, it must be separately collected.

Consumers should contact their local authority or retailer for information concerning the correct disposal of their old appliance.



1 YEAR LIMITED WARRANTY

This is the only express warranty for this product and is in lieu of any other warranty or condition.

This product is warranted to be free from defects in material and workmanship for a period of one (1) year from the date of original purchase. During this period, your exclusive remedy is repair or replacement of this product or any component found to be defective, at our option; however, you are responsible for all costs associated with returning the product to us and our returning the product or component under this warranty to you. If the product or component is no longer available, we will replace with a similar one of equal or greater value.

This warranty does not cover wear from normal use or operation that does not comply with the instruction manual or damages to the product resulting from accident, alteration, abuse, or misuse. This warranty extends only to the original consumer purchaser or gift recipient. Keep the original sales receipt, as proof of purchase is required to make a warranty claim. This warranty is void if product is used for other than single-family household use or subjected to any voltage and waveform other than as specified on the label.

We exclude all claims for special, incidental, and consequential damages by breach of express or implied warranty. All liability is limited to amount of the purchase price. Every implied warranty, including any statutory warranty or condition of merchantability or fitness for particular purpose, is disclaimed except to the extent prohibited by law, in which case such warranty or condition is limited to the duration of this written warranty.

This warranty gives you specific legal rights. You may have other legal rights that vary depending on where you live. Some states or provinces do not allow limitations on implied warranties or special, incidental consequential damages, so the foregoing limitations may not apply to you.

Customer Service:

Phone: 866-646-4332

