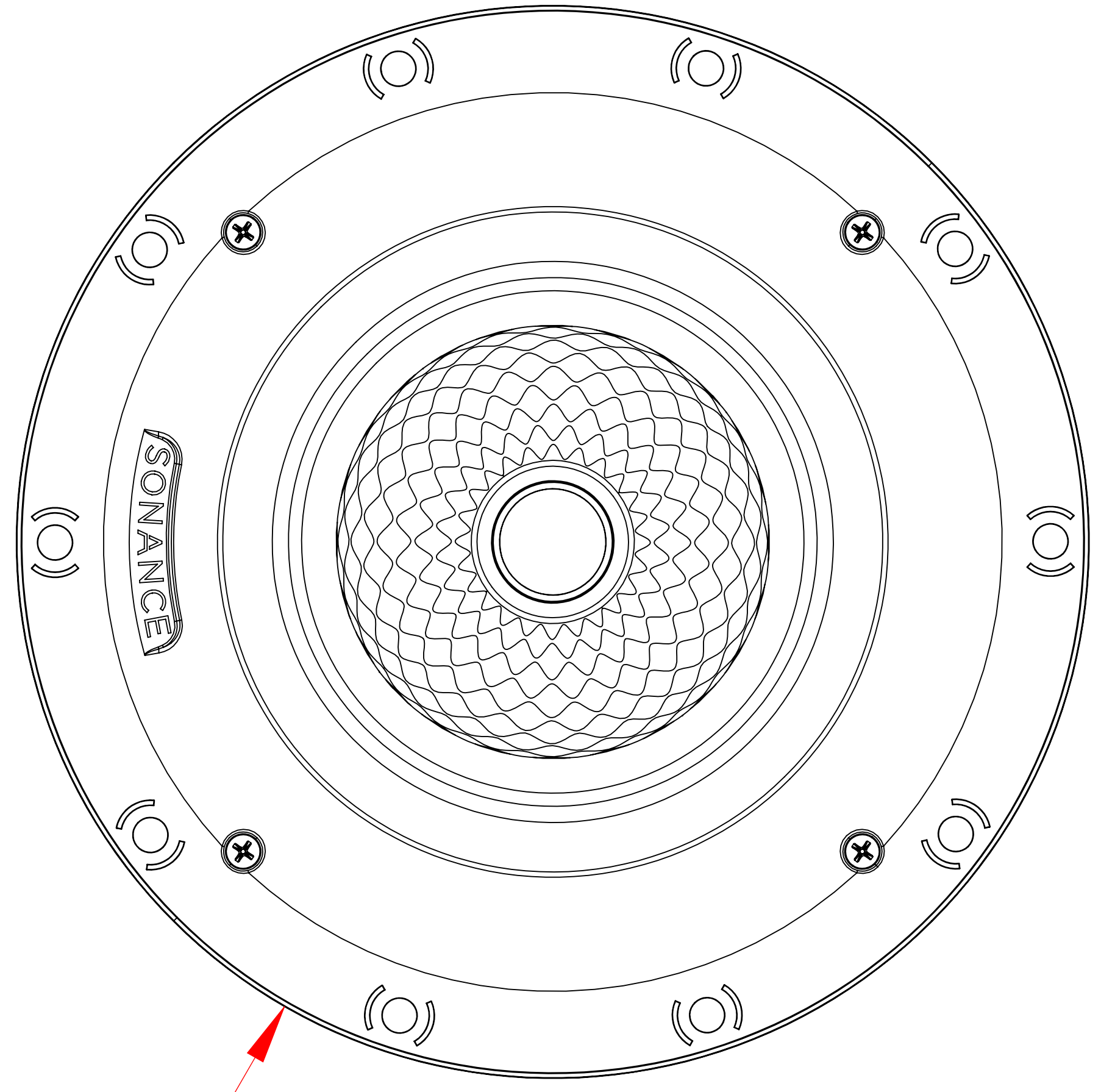
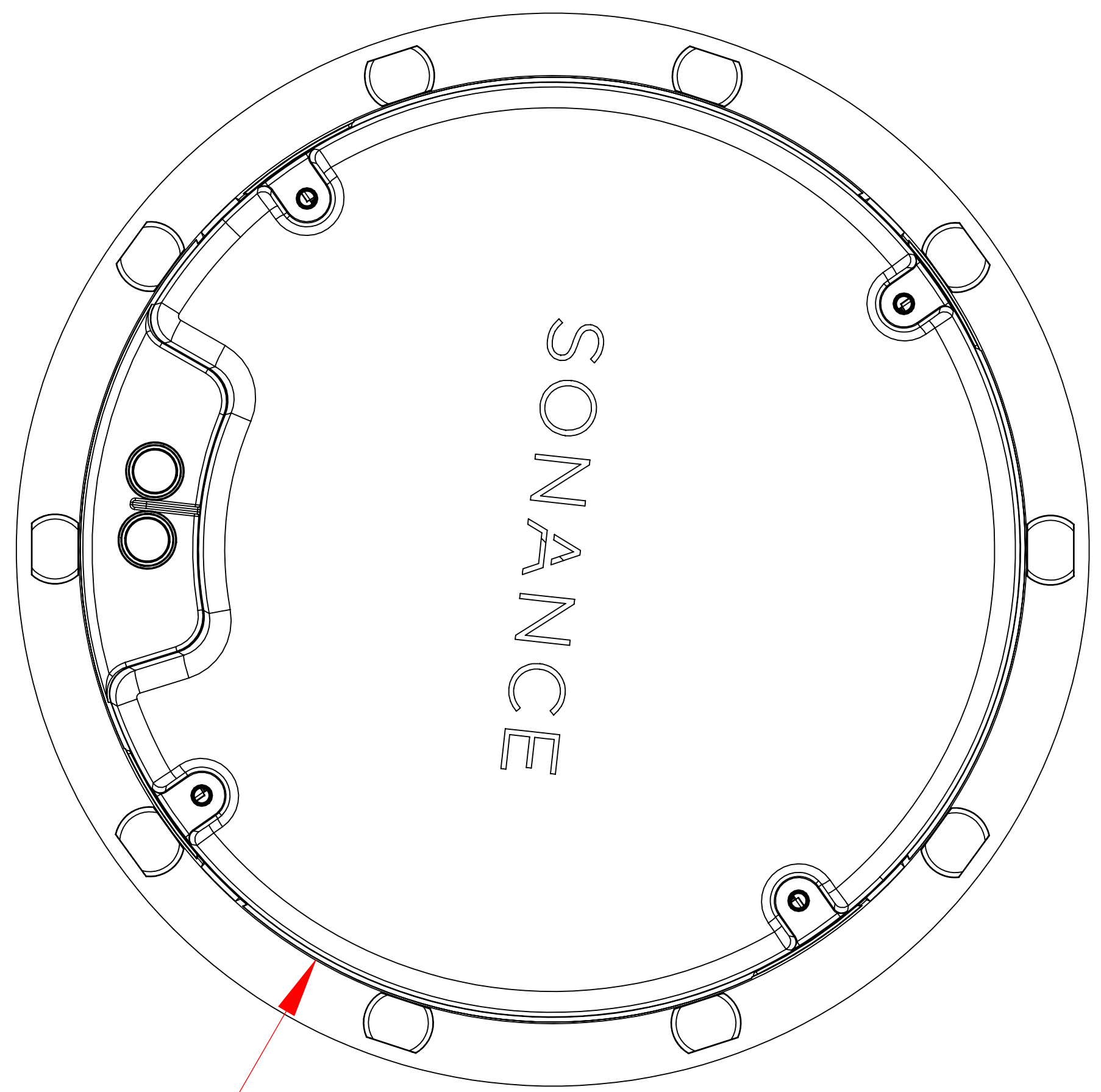


FRONT



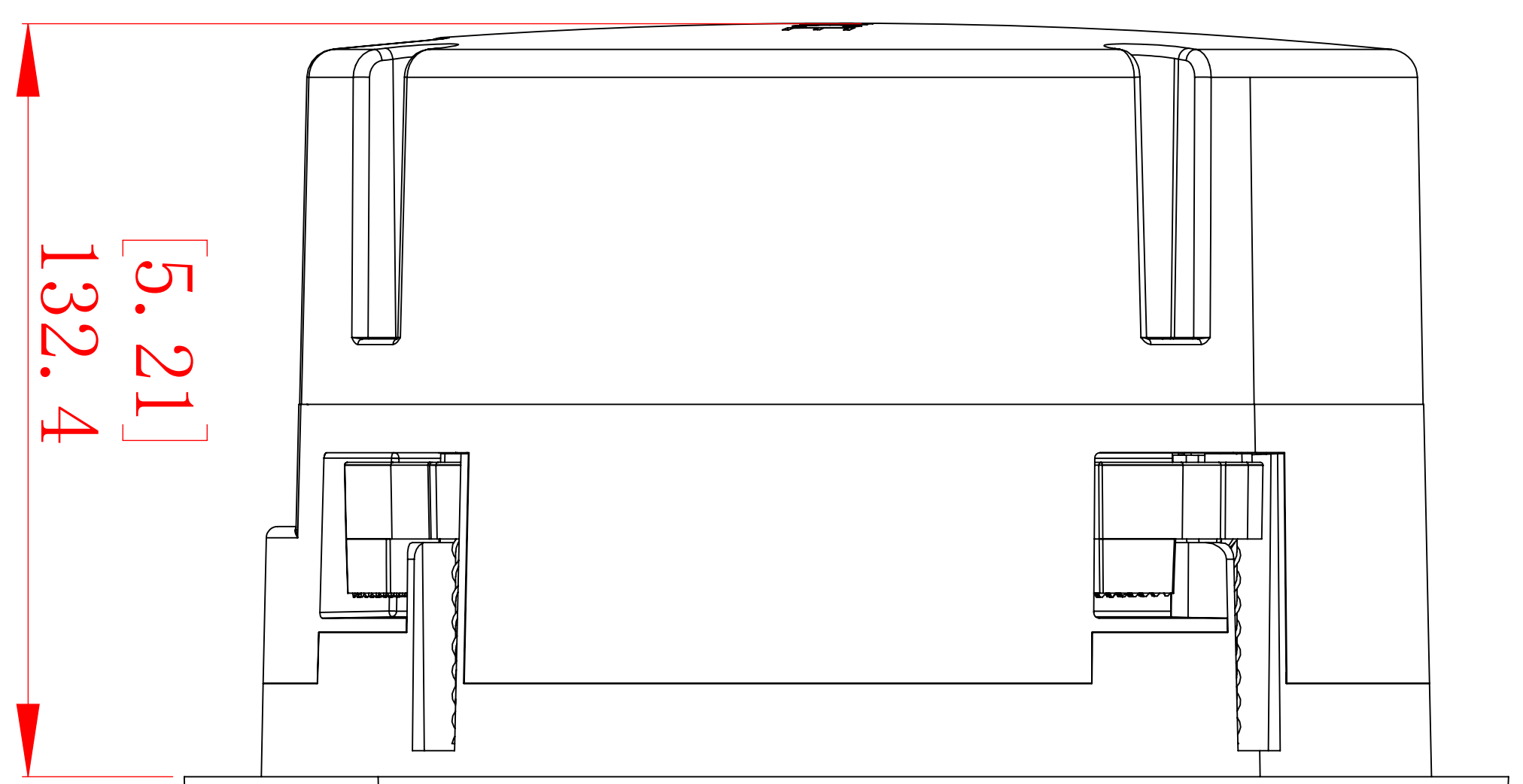
[9.17]
Ø 232.8

BACK / MINIMUM CUTOUT



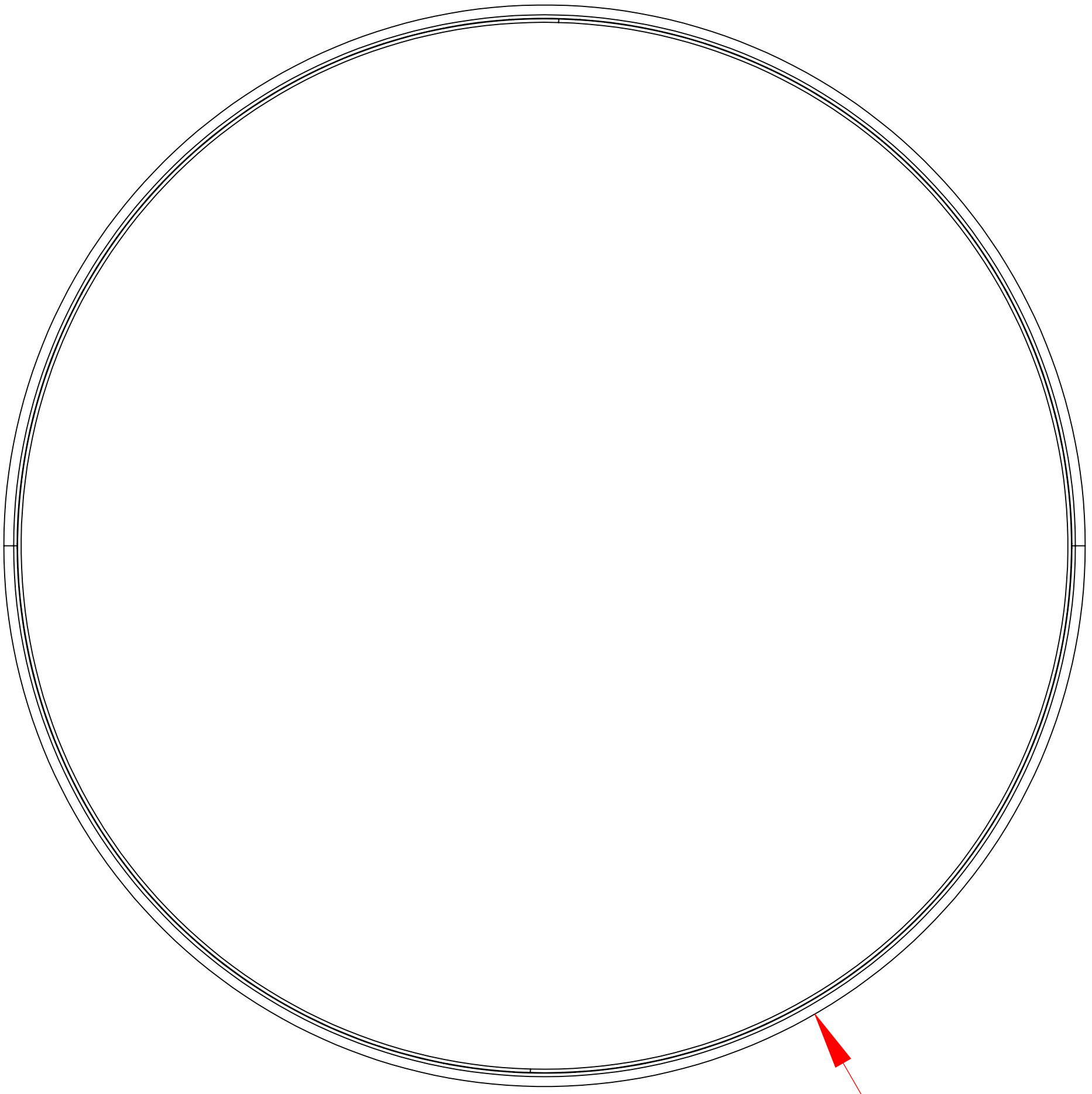
[8.10]
Ø 205.7

MOUNTING DEPTH



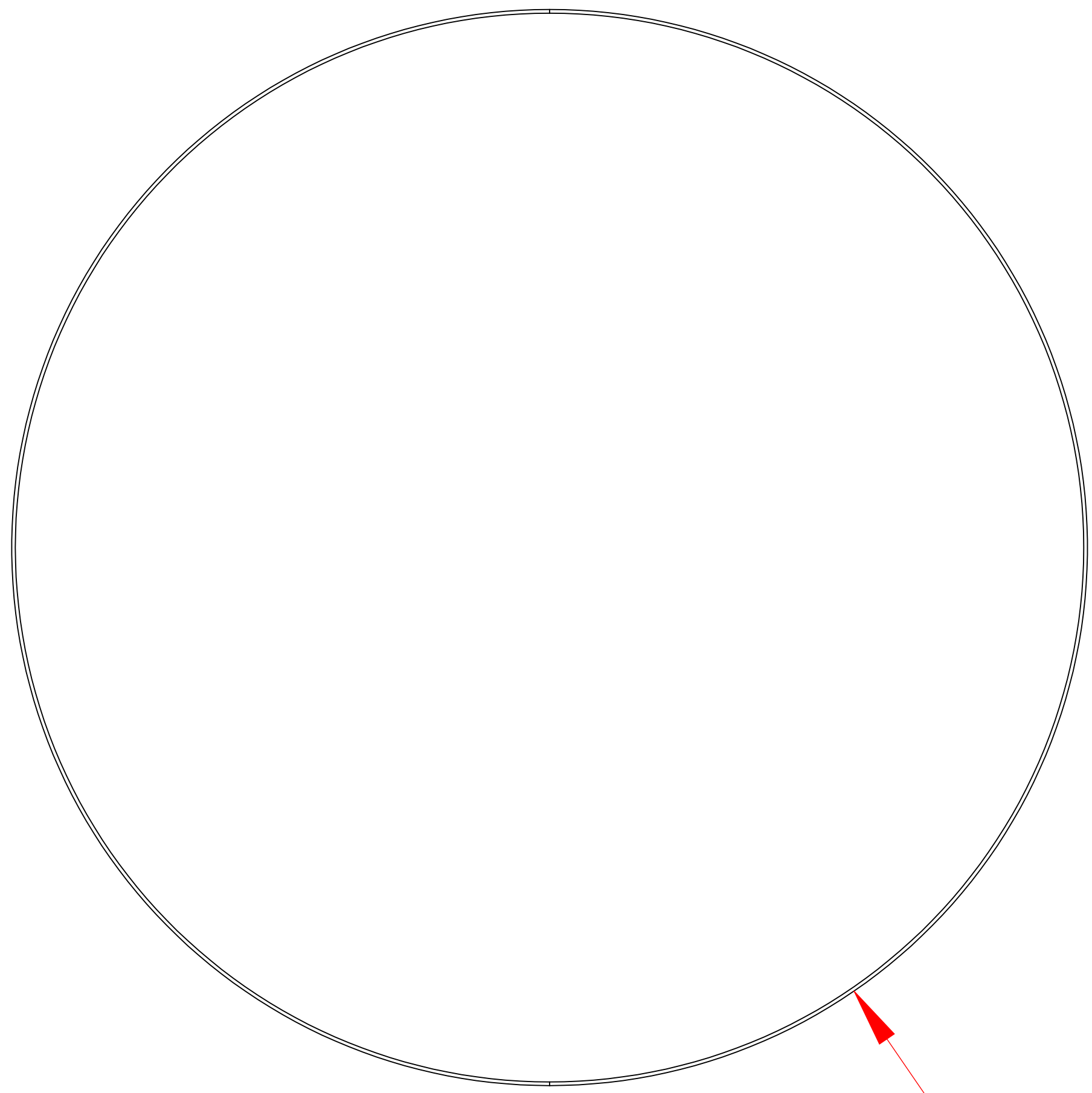
[5.21]
132.4

MICRO TRIM GRILLE



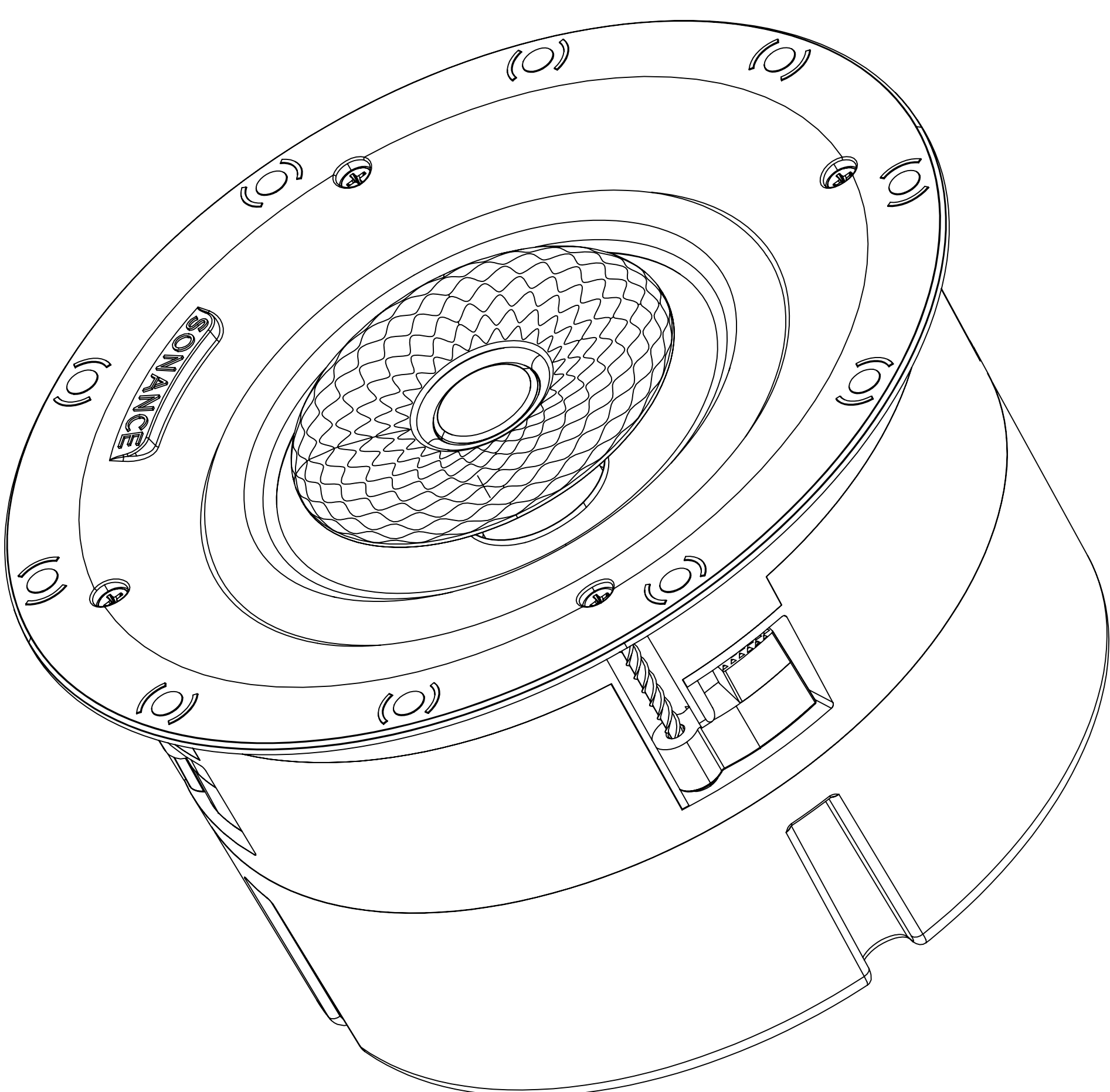
[9.62]
Ø 244.4

TRIMLESS GRILLE



[9.28]
Ø 235.6

ISOMETRIC



SONANCE

991 Calle Amanecer, San Clemente, CA.
92673
58800 2-7777 949 492-7777
FAX 949 361-5579
www.sonance.com

VX66R TL with retrofit enclosure

SCALE: 1 : 1

DRAWN BY: Roy

DRWN - PART NUMBER

REV.

SHEET: 0F

RELEASED ON: