

Integrated French Door Refrigerator Freezer, 80cm

Series 7 | Integrated

Panel Ready | French hinge

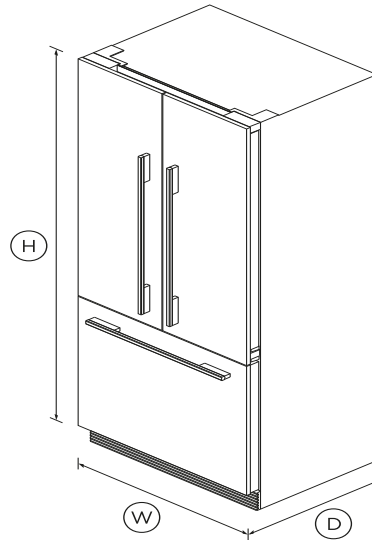


This large capacity refrigerator with bottom freezer seamlessly integrates into your kitchen, fitting flush into your cabinetry.

- ActiveSmart™ technology helps keep food fresher for longer by constantly maintaining the ideal temperature.
- Customise with your own kitchen cabinetry or purchase our stainless steel door panel accessory
- Features SmartTouch control panel for ease of use
- Spacious bottom freezer with full extension drawer

DIMENSIONS

Height	1798mm
Width	796mm
Depth	606mm



FEATURES & BENEFITS

ActiveSmart™ Foodcare

ActiveSmart™ Foodcare learns how you live. It's technology which understands how you use your refrigerator and adjusts temperature, airflow and humidity inside to help keep food fresher for longer.

Flexible storage

Designed to make it simple for you to store, access and remove food. Storage bins give you full access inside when they're pulled open and can be easily removed to clean. Our flexible shelving also gives you more storage options.

Easy cleaning

Secure, spill-safe glass shelves easily capture any drips or leaks, and can be easily removed for fast and easy cleaning.

Fast freezing

When freezing fresh food, the freshness, texture and taste are retained with rapid freezing. The Fast Freeze function boosts the freezing speed by dropping the freezer to its coldest temperature for 12 hours, ensuring food is fast and fully frozen.

Beautiful lighting

LED lighting illuminates the interior with a crisp, clean glow for enhanced visibility. Our energy saving LEDs use less power than comparable halogen lights.

Clever energy

This refrigerator adapts to daily use by cooling and defrosting only when needed, providing greater energy efficiency without compromising on food care.

SPECIFICATIONS

Accessories

Contemporary square handle	AHD3RS80A
Stainless steel door panel	RD80A

Capacity

Volume	417L
Volume freezer	129L
Volume refrigerator	288L

Consumption

Energy rating	3 star
Energy usage	444kWh/year

Features

Adjustable door shelves	6
Adjustable glass shelves	3
Covered door shelves	2
Door alarm	•
Fruit and vegetable bins	2
LED lighting	•
SmartTouch control panel	•
Soft close doors	•
Stackable bottle holders	4

Freezer Features

Bottle chill	•
Door alarm	•
Fast freeze	•
Ice trays	1
LED lighting	•
Large plastic bins	•
Slide Out Pastry Tray	•
Small plastic bins	•

Performance

ActiveSmart™ Foodcare	•
Adaptive defrost	•
Frost free freezer	•
Humidity control system	•
Inverter controlled compressor	•
Sabbath mode	•

Power requirements

Rated current	10A
---------------	-----

Supply frequency	50Hz
Supply voltage	230V

Product dimensions

Depth	606mm
Height	1798mm
Width	796mm

Warranty

Parts and labour	2 years
Sealed system parts only	5 years

SKU	26515
-----	-------

The product dimensions and specifications in this page apply to the specific product and model. Under our policy of continuous improvement, these dimensions and specifications may change at any time. You should therefore check with Fisher & Paykel's Customer Care Centre to ensure this page correctly describes the model currently available. ? Fisher & Paykel Appliances Ltd 2020

Other product downloads available at fisherpaykel.com

- [↓](#) Service & Warranty
- [↓](#) Install Guide - Water Filter Replacement
- [↓](#) Dual Installation Guide
- [↓](#) Installation Guide
- [↓](#) Alternate Installation Guide



A PEACE OF MIND SALE

24 Hours 7 Days a Week Customer Support

T 0800 372 273 W www.fisherpaykel.com