



12V CORDLESS GARDEN SAW PAAS 12 A2

GB IE NI CY

12V CORDLESS GARDEN SAW

Translation of the original instructions

DE AT CH

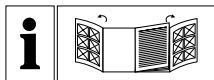
12-V-AKKU-ASTSÄGE

Originalbetriebsanleitung

GR CY

ΕΠΑΝΑΦΟΡΤΙΖΟΜΕΝΟ ΠΡΙΟΝΙ ΚΗΠΟΥ 12 V

Μετάφραση των αυθεντικών οδηγιών λειτουργίας



GB IE NI CY

Before reading, unfold both pages containing illustrations and familiarise yourself with all functions of the device.

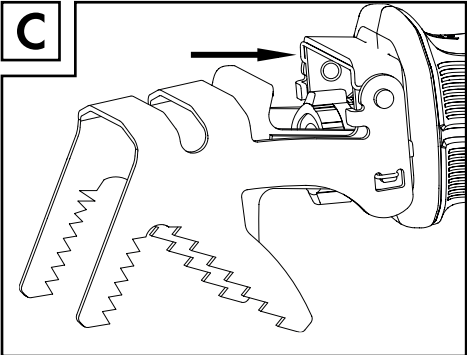
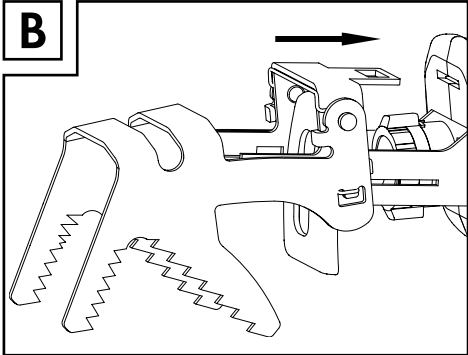
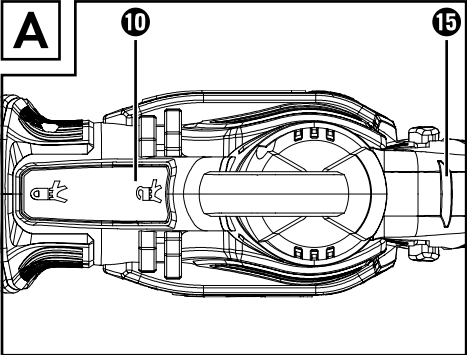
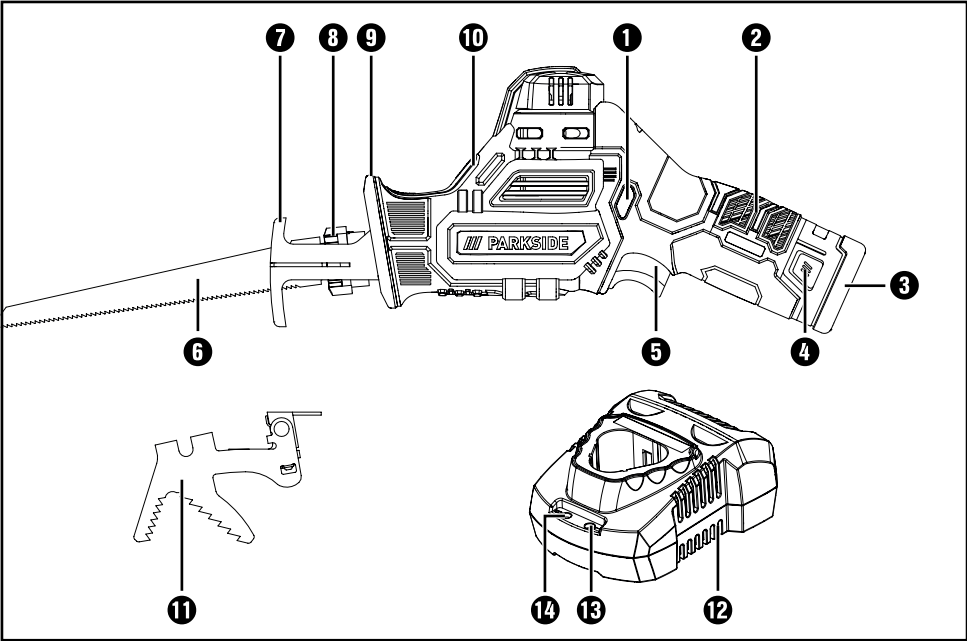
GR CY

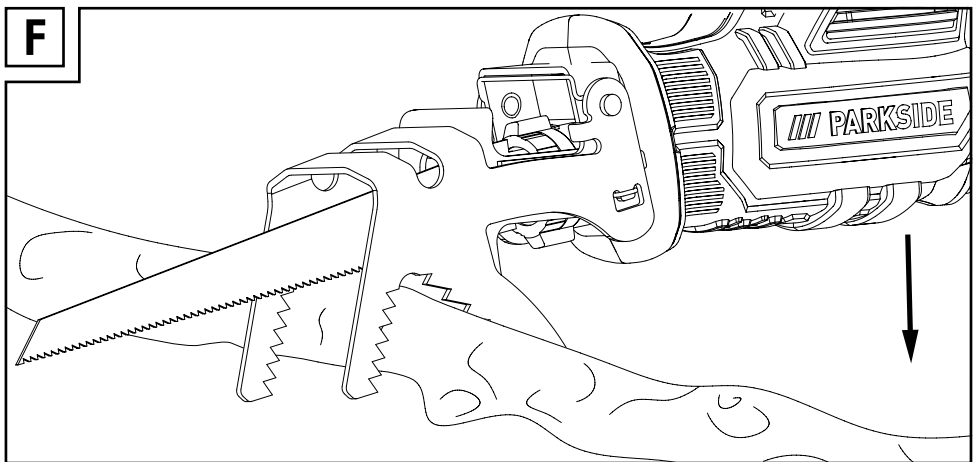
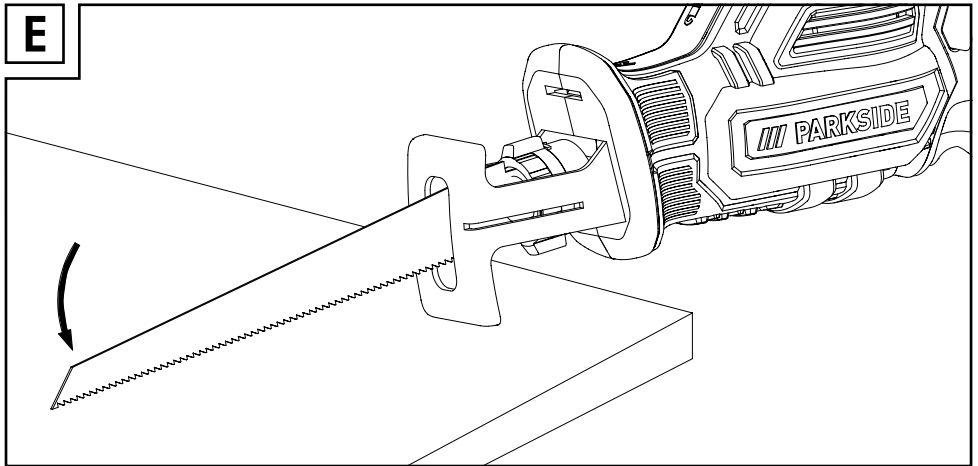
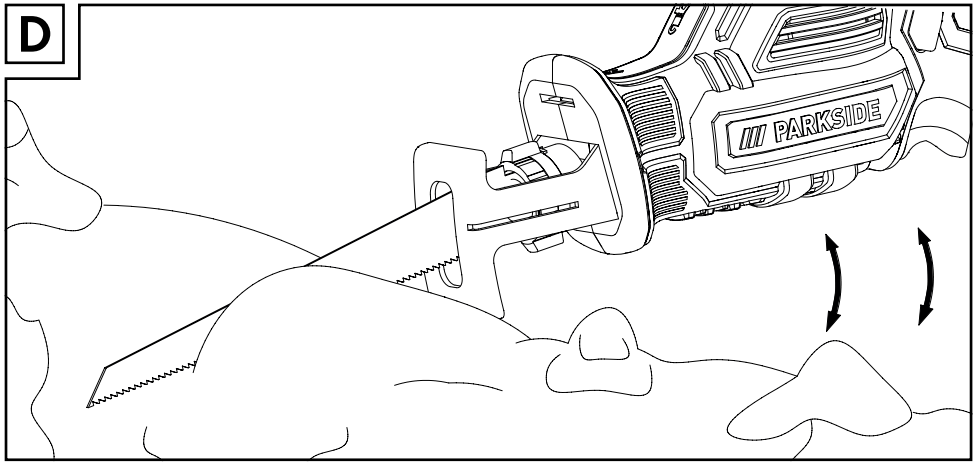
Πριν ξεκινήσετε την ανάγνωση, ανοίξτε τις δυο σελίδες με τις εικόνες και εξοικειωθείτε με όλες τις λειτουργίες της συσκευής.

DE AT CH

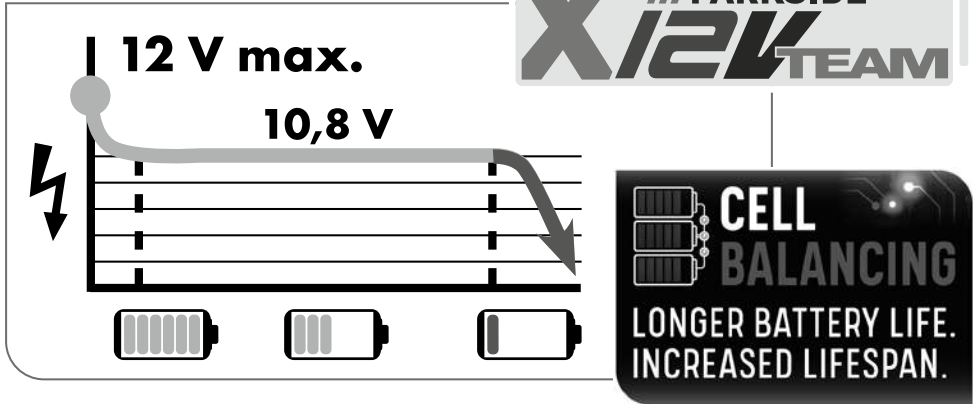
Klappen Sie vor dem Lesen die beiden Seiten mit den Abbildungen aus und machen Sie sich anschließend mit allen Funktionen des Gerätes vertraut.

GB/IE/NI/CY	Translation of the original instructions	Page	1
GR/CY	Μετάφραση των αυθεντικών οδηγιών λειτουργίας	Σελίδα	15
DE/AT/CH	Originalbetriebsanleitung	Seite	29





X12V PARKSIDE
TEAM



High-performance Li-Ion battery

Cell Balancing – longer battery life, increased battery lifespan.

Higher battery resources due to evenly used cells.

Maximises the charge potential.

All Parkside tools and the chargers PLGK 12 A1/A2/B2/PDSLK 12 A1 of the X12V Team series are compatible with the PAKP 12 A1/A2/A3/B1 battery pack.

Charging times Charging currents	2 Ah Battery pack PAKP 12 A1	2 Ah Battery pack PAKP 12 A2/A3	4 Ah Battery pack PAKP 12 B1
max. 2.4 A Charger PLGK 12 A1/A2	60 min 2,4 A	60 min 2,4 A	120 min 2,4 A
max. 4.5 A Charger PLGK 12 B2	60 min 2,4 A	45 min 3,5 A	60 min 4,5 A
max. 4,5 A Charger PDSLK 12 A1	60 min 2,4 A	45 min 3,5 A	60 min 4,5 A

Contents

Introduction	2
Intended use	2
Features	2
Package contents	2
Technical data	3
General power tool safety warnings	4
1. Work area safety	4
2. Electrical safety	4
3. Personal safety	4
4. Power tool use and care	5
5. Battery tool use and care	5
6. Service	6
Appliance-specific safety instructions	6
Safety guidelines for battery chargers	7
Practical advice on sawing	7
Original accessories/auxiliary equipment	7
Information on saw blades	7
Before use	8
Charging the battery pack	8
Attaching/disconnecting the battery pack to/from the appliance	8
Checking the battery charge level	8
Attaching/removing the grip bracket	8
Fitting/changing the saw blade	9
Operation	9
Switching on and off	9
Sawing methods	9
Maintenance and cleaning	10
Kompernass Handels GmbH warranty	10
Service	12
Importer	12
Disposal	12
Translation of the original Conformity Declaration	13
Ordering a replacement battery	14
Telephone ordering	14

12V CORDLESS GARDEN SAW PAAS 12 A2

Introduction

Congratulations on the purchase of your new appliance. You have selected a high-quality product. The operating instructions are part of this product. They contain important information on safety, usage and disposal. Before using the product, please familiarise yourself with all operating and safety instructions. Use the product only as described and for the specified areas of application. Please also pass on these operating instructions to any future owner.

Intended use

This appliance – standard designation: reciprocating saw – is intended for the sawing of wood, plastics and building materials up to a fixed stop (base plate). The appliance is suitable for rough sawing work, straight and curved cuts; it cuts surfaces off flush. With the grip bracket mounted, the appliance is suitable for sawing branches. Follow the information concerning saw blades and practical advice on sawing. Any other uses or modification to the appliance is deemed to be improper and carries the risk of serious personal injury. The manufacturer accepts no responsibility for damage(s) attributable to misuse. The appliance is not intended for commercial use.

Features

- ❶ Safety lock-out
- ❷ Handle
- ❸ Battery pack
- ❹ Release (battery pack)
- ❺ ON/OFF switch
- ❻ Saw blade
- ❼ Base plate
- ❽ Quick-release chuck
- ❾ Hand guard
- ❿ Release (grip bracket)
- ⓫ Grip bracket
- ⓬ High-speed battery charger
- ⓭ Control LED (green)
- ⓮ Control LED (red)
- ⓯ Battery charge level display

Package contents

- 1 12V cordless garden saw PAAS 12 A2
- 1 high-speed battery charger PLGK 12 A2
- 1 battery pack PAKP 12 A3
- 1 grip bracket
- 1 saw blade for wood 152 mm/TPI 6

NOTE

- ▶ TPI = teeth per inch = the number of teeth per 2.54 cm

- 1 carrying case
- 1 set of operating instructions

Technical data

12V cordless garden saw PAAS 12 A2

Rated voltage	12 V DC
Rated idle speed	n_0 0–2700 rpm
Stroke length	20 mm
Max. cutting performance	Wood 80 mm Metal profiles/ metal pipes 50 mm
Saw blade holder	12.7 mm (1/2")

Battery pack PAKP 12 A3

Type	LITHIUM ION
Rated voltage	12 V DC
Capacity	2.000 mAh/24 Wh

High-speed battery charger PLGK 12 A2

INPUT

Rated current	220–240 V \sim , 50–60 Hz (alternating current)
---------------	---

Rated power consumption	50 W
-------------------------	------

OUTPUT

Rated voltage	12 V DC
Rated current	2400 mA
Charging time	approx. 60 min.
Fuse (internal)	2 A T2A
Protection class	II / \square (double insulation)

Noise emission values

Measured values for noise determined in accordance with EN 62841. The A-rated noise level of the power tool at the working location is typically as follows:

Sound pressure level	$L_{pA} = 84.3$ dB (A)
Uncertainty	$K_{pA} = 3$ dB
Sound power level	$L_{WA} = 95.3$ dB (A)
Uncertainty	$K_{WA} = 3$ dB

Wear hearing protection!

Total vibration values (vector total of three directions) determined in accordance with EN 62841:

Cutting board	$a_{h,B} = 7.845$ m/s ²
Uncertainty	$K = 1.5$ m/s ²
Cutting wooden beams	$a_{h,WB} = 9.154$ m/s ²
Uncertainty	$K = 1.5$ m/s ²

NOTE

- ▶ The declared total vibration value and the declared noise emission value have been measured according to a standardized test procedure and can be used to compare one power tool with another.
- ▶ The specified total vibration value and noise emission value (s) can also be used for a preliminary estimation of the load.

WARNING!

- ▶ The vibration and noise emissions during the actual use of the power tool may deviate from the indication values, depending on the manner in which the power tool is used, in particular, which type of workpiece is being processed.
- ▶ Try to minimize the impact of vibration and noise. Exemplary measures to reduce vibration exposure include wearing gloves while using the tool and limiting working time. In this case, all portions of the operating cycle are to be considered (for example, times in which the power tool is switched off, and those in which it is turned on, but runs without load).

General power tool safety warnings

⚠ WARNING!



Read all safety warnings, instructions, illustrations and specifications provided with this power tool. Failure to follow all instructions listed below may result in electric shock, fire and/or serious injury.

Save all warnings and instructions for future reference.

The term „power tool“ in the warnings refers to your mains-operated (corded) power tool or battery-operated (cordless) power tool.

1. Work area safety

- a) Keep work area clean and well lit. Cluttered or dark areas invite accidents.
- b) Do not operate power tools in explosive atmospheres, such as in the presence of flammable liquids, gases or dust. Power tools create sparks which may ignite the dust or fumes.
- c) Keep children and bystanders away while operating a power tool. Distractions can cause you to lose control.

2. Electrical safety

- a) Power tool plugs must match the outlet. Never modify the plug in any way. Do not use any adapter plugs with earthed (grounded) power tools. Unmodified plugs and matching outlets will reduce risk of electric shock.
- b) Avoid body contact with earthed or grounded surfaces, such as pipes, radiators, ranges and refrigerators. There is an increased risk of electric shock if your body is earthed or grounded.

- c) Do not expose power tools to rain or wet conditions. Water entering a power tool will increase the risk of electric shock.
- d) Do not abuse the cord. Never use the cord for carrying, pulling or unplugging the power tool. Keep cord away from heat, oil, sharp edges or moving parts. Damaged or entangled cords increase the risk of electric shock.
- e) When operating a power tool outdoors, use an extension cord suitable for outdoor use. Use of a cord suitable for outdoor use reduces the risk of electric shock.
- f) If operating a power tool in a damp location is unavoidable, use a residual current device (RCD) protected supply. Use of an RCD reduces the risk of electric shock.

3. Personal safety

- a) Stay alert, watch what you are doing and use common sense when operating a power tool. Do not use a power tool while you are tired or under the influence of drugs, alcohol or medication. A moment of inattention while operating power tools may result in serious personal injury.
- b) Use personal protective equipment. Always wear eye protection. Protective equipment such as a dust mask, non-skid safety shoes, hard hat or hearing protection used for appropriate conditions will reduce personal injuries.
- c) Prevent unintentional starting. Ensure the switch is in the off-position before connecting to power source and/or battery pack, picking up or carrying the tool. Carrying power tools with your finger on the switch or energising power tools that have the switch on invites accidents.
- d) Remove any adjusting key or wrench before turning the power tool on. A wrench or a key left attached to a rotating part of the power tool may result in personal injury.

- e) **Do not overreach. Keep proper footing and balance at all times.** This enables better control of the power tool in unexpected situations.
 - f) **Dress properly. Do not wear loose clothing or jewellery. Keep your hair and clothing away from moving parts.** Loose clothes, jewellery or long hair can be caught in moving parts.
 - g) **If devices are provided for the connection of dust extraction and collection facilities, ensure these are connected and properly used.** Use of dust collection can reduce dust-related hazards.
 - h) **Do not let familiarity gained from frequent use of tools allow you to become complacent and ignore tool safety principles.** A careless action can cause severe injury within a fraction of a second.
- e) **Maintain power tools and accessories. Check for misalignment or binding of moving parts, breakage of parts and any other condition that may affect the power tool's operation. If damaged, have the power tool repaired before use.** Many accidents are caused by poorly maintained power tools.
 - f) **Keep cutting tools sharp and clean.** Properly maintained cutting tools with sharp cutting edges are less likely to bind and are easier to control.
 - g) **Use the power tool, accessories and tool bits etc. in accordance with these instructions, taking into account the working conditions and the work to be performed.** Use of the power tool for operations different from those intended could result in a hazardous situation.
 - h) **Keep handles and grasping surfaces dry, clean and free from oil and grease.** Slippery handles and grasping surfaces do not allow for safe handling and control of the tool in unexpected situations.

4. Power tool use and care

- a) **Do not force the power tool. Use the correct power tool for your application.** The correct power tool will do the job better and safer at the rate for which it was designed.
- b) **Do not use the power tool if the switch does not turn it on and off.** Any power tool that cannot be controlled with the switch is dangerous and must be repaired.
- c) **Disconnect the plug from the power source and/or remove the battery pack, if detachable, from the power tool before making any adjustments, changing accessories, or storing power tools.** Such preventive safety measures reduce the risk of starting the power tool accidentally.
- d) **Store idle power tools out of the reach of children and do not allow persons unfamiliar with the power tool or these instructions to operate the power tool.** Power tools are dangerous in the hands of untrained users.

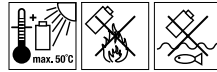
5. Battery tool use and care

- a) **Recharge only with the charger specified by the manufacturer.** A charger that is suitable for one type of battery pack may create a risk of fire when used with another battery pack.
- b) **Use power tools only with specifically designed battery packs.** Use of any other battery packs may create a risk of injury and fire.
- c) **When battery pack is not in use, keep it away from other metal objects, like paper clips, coins, keys, nails, screws or other small metal objects, that can make a connection from one terminal to another.** Shorting the battery terminals together may cause burns or a fire.

- d) Under abusive conditions, liquid may be ejected from the battery; avoid contact. If contact accidentally occurs, flush with water. If liquid contacts eyes, additionally seek medical help. Liquid ejected from the battery may cause irritation or burns.
- e) Do not use a battery pack or tool that is damaged or modified. Damaged or modified batteries may exhibit unpredictable behaviour resulting in fire, explosion or risk of injury.
- f) Do not expose a battery pack or tool to fire or excessive temperature. Exposure to fire or temperature above 130 °C (265 °F) may cause explosion.
- g) Follow all charging instructions and do not charge the battery pack or tool outside the temperature range specified in the instructions. Charging improperly or at temperatures outside the specified range may damage the battery and increase the risk of fire.



CAUTION! RISK OF EXPLOSION!
Never charge non-rechargeable batteries!



Protect the rechargeable battery from heat, for example from continuous exposure to sunlight, fire, water and moisture. There is a risk of explosion.

6. Service

- a) Have your power tool serviced by a qualified repair person using only identical replacement parts. This will ensure that the safety of the power tool is maintained.
- b) Never service damaged battery packs. Service of battery packs should only be performed by the manufacturer or authorized service providers.

Appliance-specific safety instructions

- Hold power tool by insulated gripping surfaces, when performing an operation where the fastener may contact hidden wiring or its own cord. Fasteners contacting a “live” wire may make exposed metal parts of the power tool “live” and could give the operator an electric shock.
- Wear a dust mask!

WARNING!

- Do not use any accessories which are not recommended by PARKSIDE. This can lead to an electric shock and fire.

Safety guidelines for battery chargers

- This appliance may be used by children aged 8 years and above and by persons with limited physical, sensory or mental capabilities or lack of experience and knowledge, provided that they are under supervision or have been told how to use the appliance safely and are aware of the potential risks. Do not allow children to play with the appliance. Cleaning and user maintenance tasks may not be carried out by children unless they are supervised.



The charger is suitable for indoor use only.

- To avoid potential risks, damaged mains cables should be replaced by the manufacturer or the manufacturer's customer service department or a similarly qualified person.

ATTENTION!

- ▶ This charger can only charge the following batteries: PAKP 12 A1/PAKP 12 A2/PAKP 12 A3/PAKP 12 B1.
- ▶ A current list of battery compatibility can be found at www.Lidl.de/Akku.

Practical advice on sawing

- Check the material to be worked to make sure that all foreign objects have been removed, e.g. nails, screws, etc.
- Switch the appliance off immediately if the saw blade jams. Open up the sawn gap using a suitable tool and pull out the reciprocating saw.
- Saw the material at a constant speed.

Original accessories/auxiliary equipment

- Use only the additional equipment and accessories specified in the operating instructions. Using attachments or accessory tools other than those recommended in the operating instructions can lead to a risk of injury.

Information on saw blades

You can use any saw blade that has a suitable mount - 1/2" (12.7 mm) universal shaft. Saw blades are available from retail stores in various lengths and optimised for a variety of purposes.

NOTE

- ▶ TPI = teeth per inch = the number of teeth per 2.54 cm

Before use

Charging the battery pack

⚠ CAUTION!

- ▶ Always unplug the appliance before you remove the battery pack **3** from or connect the battery pack to the high-speed battery charger **12**.

NOTE

- ▶ Never charge the battery pack if the ambient temperature is below 10°C or above 40°C. If a lithium-ion battery is to be stored for an extended period, the charge level should be checked regularly. The optimum charge level is between 50% and 80%. The storage climate should be cool and dry and the ambient temperature should be between 0°C and 50°C.
- ◆ Connect the battery pack **3** to the high-speed battery charger **12**.
- ◆ Insert the power plug into the socket. The control LED **14** lights up red.
- ◆ The green control LED **13** indicates that the charging process is complete and the battery pack is ready for use.
- ◆ Push the battery pack **3** back into the appliance.
- ◆ You should always switch the high-speed charger **12** off for at least 15 minutes between successive charging processes. Also disconnect the power plug from the mains power socket.

Attaching/disconnecting the battery pack to/from the appliance

Attaching the battery pack

- ◆ Click the battery pack **3** into the handle **2**.

Removing the battery pack

- ◆ Press the release buttons **4** and remove the battery pack **3**.

Checking the battery charge level

- ◆ Press the safety lock-out **1** and the ON/OFF switch **5** to check the charge level of the battery. The status/remaining charge will be shown on the battery charge level display **15** as follows:
 RED/ORANGE/GREEN = maximum charge/performance
 RED/ORANGE = medium charge/performance
 RED = low charge - charge the battery

Attaching/removing the grip bracket

NOTE

- ▶ The grip bracket **11** cannot be attached/removed while the saw blade **6** is attached.

Attaching the grip bracket (see fig. A-C)

- ◆ Push the grip bracket **11** over the guides on the base plate **7** and onto the appliance.

Removing the grip bracket

- ◆ Press the release  **10** and pull the grip bracket **11** forwards out of the guides.

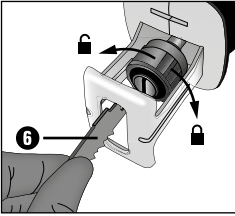
Fitting/changing the saw blade

Wear protective gloves when fitting/changing a saw blade 6.

- ◆ Turn the quick-release chuck 8 as far as it will go in the direction of the arrow and hold it in this position.
- ◆ Push the required saw blade 6 into the quick-release chuck 8 as far as the stop.

⚠ CAUTION!

- ▶ The teeth of the saw blade 6 must point downwards!



- ◆ Let go of the quick-release chuck 8; it must return to its initial position. The saw blade 6 is now locked.

Operation

Switching on and off

Switching on

- ◆ Press the safety lock-out 1.
- ◆ Press the ON/OFF switch 5.

Switching off

- ◆ Release the ON/OFF switch 5.

Sawing methods

A) Working without the grip bracket (see fig. D)

- For branches of a larger diameter or wood, plastic or building material, work without the grip bracket 11. The workpiece must be right up against the base plate. Use a rocking cutting motion for round workpieces.

A1) Sawing flush

- Flexible saw blades allow you to saw off protruding workpieces such as pipes located close to the wall, provided the saw blade is long enough.

1. Place the saw blade 6 directly against the wall.
2. Bend it by applying lateral pressure to the reciprocating saw so that the base plate 7 comes into contact with the wall.
3. Switch the appliance on as described and saw off the workpiece by applying constant pressure.

A2) Plunge cutting (see fig. E)

⚠ CAUTION! RISK OF KICKBACK!

- ▶ Plunge cuts may only be made in soft materials (wood or similar).

1. Place the reciprocating saw with the lower edge of the base plate 7 on the workpiece. Switch the appliance on.
2. Tilt the reciprocating saw forwards and plunge the saw blade 6 into the workpiece.
3. Position the reciprocating saw vertically and continue sawing along the cutting line.

B) Working with the grip bracket (see fig. F)

- ◆ Push down lightly and move the saw downwards.

Maintenance and cleaning



WARNING! RISK OF INJURY! Always switch the appliance off and remove the battery before carrying out any work on the appliance.

- Always remove the saw blade **6** before carrying out any work on the power tool.
- Keep the appliance and ventilation slits clean at all times. If the ventilation slits are blocked, there is a risk of overheating and/or the appliance being damaged.
- Always clean the appliance after completion of work.
- Do not allow any liquids to get into the appliance. Use a cloth to clean the housing. Never use petrol, solvents or cleansers which can damage plastic.
- Clean the saw blade mount, if necessary with a brush or by blowing it out with compressed air.
- If a lithium-ion battery is to be stored for an extended period, the charge level should be checked regularly. The optimum charge level is between 50% and 80%. The optimum storage climate is cool and dry.

Kompennass Handels GmbH warranty

Dear Customer,

This appliance has a 3-year warranty valid from the date of purchase. If this product has any faults, you, the buyer, have certain statutory rights. Your statutory rights are not restricted in any way by the warranty described below.

Warranty conditions

The warranty period starts on the date of purchase. Please keep your receipt in a safe place. This will be required as proof of purchase.

If any material or manufacturing fault occurs within three years of the date of purchase of the product, we will either repair or replace the product for you or refund the purchase price (at our discretion). This warranty service requires that you present the defective appliance and the proof of purchase (receipt) within the three-year warranty period, along with a brief written description of the fault and of when it occurred.

If the defect is covered by the warranty, your product will either be repaired or replaced by us. The repair or replacement of a product does not signify the beginning of a new warranty period.

X 12 V and X 20 V Team Series battery packs come with a 3-year warranty valid from the date of purchase.

Warranty period and statutory claims for defects

The warranty period is not prolonged by repairs effected under the warranty. This also applies to replaced and repaired components. Any damage and defects present at the time of purchase must be reported immediately after unpacking. Repairs carried out after expiry of the warranty period shall be subject to a fee.

Scope of the warranty

This appliance has been manufactured in accordance with strict quality guidelines and inspected meticulously prior to delivery.

The warranty covers material faults or production faults. The warranty does not extend to product parts subject to normal wear and tear or to fragile parts which could be considered as consumable parts such as switches or parts made of glass.

The warranty does not apply if the product has been damaged, improperly used or improperly maintained. The directions in the operating instructions for the product regarding proper use of the product are to be strictly followed. Uses and actions that are discouraged in the operating instructions or which are warned against must be avoided.

This product is intended solely for private use and not for commercial purposes. The warranty shall be deemed void in cases of misuse or improper handling, use of force and modifications / repairs which have not been carried out by one of our authorised Service centres.

The warranty period does not apply to

- Normal reduction of the battery capacity over time
- Commercial use of the product
- Damage to or alteration of the product by the customer
- Non-compliance with safety and maintenance instructions, operating errors
- Damage caused by natural hazards

Warranty claim procedure

To ensure quick processing of your case, please observe the following instructions:

- Please have the till receipt and the item number (e.g. IAN 12345) available as proof of purchase.
- You will find the item number on the type plate on the product, an engraving on the product, on the front page of the operating instructions (below left) or on the sticker on the rear or bottom of the product.
- If functional or other defects occur, please contact the service department listed either by **telephone** or by **e-mail**.
- You can return a defective product to us free of charge to the service address that will be provided to you. Ensure that you enclose the proof of purchase (till receipt) and information about what the defect is and when it occurred.



You can download these instructions along with many other manuals, product videos and installation software at www.lidl-service.com.

This QR code will take you directly to the Lidl service page (www.lidl-service.com) where you can open your operating instructions by entering the item number (IAN) 364106_2010.

WARNING!

- ▶ **Have the power tool repaired by the Service centre or a qualified electrician and only using genuine replacement parts.** This will ensure that the safety of the appliance is maintained.
- ▶ **Always ensure that the power plug or the mains cable is replaced only by the manufacturer of the appliance or by an approved customer service provider.** This will ensure that the safety of the appliance is maintained.

NOTE

► Replacement parts not listed (such as batteries, switches and grip bracket) can be ordered via our service hotline.

Service

GB Service Great Britain

Tel.: 0800 404 7657
E-Mail: kompernass@lidl.co.uk

IE Service Ireland

Tel.: 1890 930 034
(0,08 EUR/Min., (peak))
(0,06 EUR/Min., (off peak))
E-Mail: kompernass@lidl.ie

CY Service Cyprus

Tel.: 8009 4409
E-Mail: kompernass@lidl.com.cy

IAN 364106_2010

Importer

Please note that the following address is not the service address. Please use the service address provided in the operating instructions.

KOMPERNASS HANDELS GMBH
BURGSTRASSE 21
44867 BOCHUM
GERMANY
www.kompernass.com

Disposal



The packaging is made from environmentally friendly material and can be disposed of at your local recycling plant.



Do not dispose of power tools in your normal domestic waste!

European Directive 2012/19/EU requires that worn-out power tools be collected separately and recycled in an environmentally compatible manner.



Do not dispose of batteries in your normal household waste!

Defective or worn-out rechargeable batteries must be recycled according to Directive 2006/66/EC. Take the battery pack and/or appliance to a nearby collection facility. Please consult your local authorities regarding suitable disposal of worn out power tools/battery packs.



Dispose of the packaging in an environmentally friendly manner. Note the labelling on the packaging and separate the packaging material components for disposal if necessary. The packaging material is labelled with abbreviations (a) and numbers (b) with the following meanings: 1-7: plastics, 20-22: paper and cardboard, 80-98: composites.



Your local community or municipal authorities can provide information on how to dispose of the worn-out product.

Translation of the original Conformity Declaration

We, KOMPERNASS HANDELS GMBH, document officer: Mr. Semi Uguzlu, BURGSTR. 21, 44867 BOCHUM, GERMANY, hereby declare that this product complies with the following standards, normative documents and EC directives:

Machinery Directive

(2006/42/EC)

EC Low Voltage Directive

(2014/35/EU, charger only)

EMC (Electromagnetic Compatibility)

(2014/30/EU)

RoHS Directive

(2011/65/EU)*

* The manufacturer bears the full responsibility for compliance with this conformity declaration. The object of the declaration described above complies with the requirements of the Directive 2011/65/EU of the European Parliament and Council of 8 June 2011 on the limitations of use of certain dangerous substances in electrical and electronic appliances.

Applied harmonised standards

EN 62841-1:2015

EN 62841-2-11:2016

EN 62233:2008

EN 60335-1:2012/A2:2019

EN 60335-2-29:2004/A11: 2018

EN 55014-1:2017

EN 55014-2:2015

EN 61000-3-2:2014

EN 61000-3-3:2013

EN IEC 63000:2018

Type/appliance designation: 12V Cordless garden saw PAAS 12 A2

Year of manufacture: 12–2020

Serial number: IAN 364106_2010

Bochum, 13/01/2021



Semi Uguzlu

- Quality Manager -

The right to effect technical changes in the context of further development is reserved.

Ordering a replacement battery



If you want to order a replacement battery for your appliance, you can do so easily via the Internet on www.kompennass.com or by telephone.

Due to limited stocks, this item may sell out in a relatively short time.

NOTE

- ▶ Online ordering of replacement parts might not be possible in some countries. In this is the case, please contact the Service hotline.

Telephone ordering

GB Service Great Britain Tel.: 0800 404 7657

IE Service Ireland Tel.: 1890 930 034 (0,08 EUR/Min., peak · 0,06 EUR/Min., off peak)

CY Service Cyprus Tel.: 8009 4409

To ensure fast processing of your order, have the article number of your appliance to hand (e.g. IAN 364106) in case of questions. The article number can be found on the type plate or the title page of these instructions.

Περιεχόμενα

Εισαγωγή	16
Προβλεπόμενη χρήση	16
Εξοπλισμός	16
Παραδοτέος εξοπλισμός.....	16
Τεχνικά χαρακτηριστικά	17
Γενικές υποδείξεις ασφαλείας για τα ηλεκτρικά εργαλεία	18
1. Ασφάλεια στο χώρο εργασίας.....	18
2. Ηλεκτρική ασφάλεια.....	18
3. Ασφάλεια ατόμων	18
4. Χρήση και χειρισμός του ηλεκτρικού εργαλείου	19
5. Χρήση και χειρισμός του επαναφορτιζόμενου εργαλείου	20
6. Σέρβις	20
Συγκεκριμένες υποδείξεις ασφαλείας για σπαθόσσεγες	20
Υποδείξεις ασφαλείας για φορτιστές.....	21
Υποδείξεις εργασίας για το πριόνισμα	21
Γνήσια εξαρτήματα/πρόσθετες συσκευές	21
Πληροφορίες σχετικά με τις λεπίδες	21
Πριν από τη θέση σε λειτουργία	22
Φόρτιση συστοιχίας συσσωρευτών	22
Τοποθέτηση/απομάκρυνση συστοιχίας συσσωρευτών στη/από τη συσκευή	22
Έλεγχος κατάστασης συσσωρευτών.....	22
Τοποθέτηση/Απομάκρυνση βραχίονα συγκράτησης	22
Τοποθέτηση/Αλλαγή λεπίδας	23
Θέση σε λειτουργία	23
Ενεργοποίηση/απενεργοποίηση	23
Μέθοδοι πριονίσματος	23
Συντήρηση και καθαρισμός	24
Εγγύηση της Kompernass Handels GmbH	24
Σέρβις	26
Εισαγωγέας	26
Απόρριψη	26
Μετάφραση της Πρωτότυπης Δήλωση συμμόρφωσης	27
Παραγγελία εφεδρικού συσσωρευτή	28
Τηλεφωνική παραγγελία	28

ΕΠΑΝΑΦΟΡΤΙΖΟΜΕΝΟ ΠΡΙΟΝΙ ΚΗΠΟΥ 12 V PAAS 12 A2

Εισαγωγή

Σας συχαίρουμε για την αγορά της νέας σας συσκευής. Το προϊόν που αποκτήσατε είναι ένα προϊόν υψηλής ποιότητας. Οι οδηγίες χρήσης αποτελούν τμήμα αυτού του προϊόντος. Περιλαμβάνουν σημαντικές υποδείξεις για την ασφάλεια, τη χρήση και την απόρριψη. Πριν από τη χρήση του προϊόντος, εξοικειωθείτε με όλες τις υποδείξεις χειρισμού και ασφάλειας. Χρησιμοποιείτε το προϊόν αποκλειστικά όπως περιγράφεται και για τους αναφερόμενους τομείς χρήσης. Παραδίδετε όλα τα έγγραφα σε περίπτωση παράδοσης του προϊόντος σε τρίτους.

Προβλεπόμενη χρήση

Η συσκευή - κανονιστικά μία σταθόσεγα - με σταθερό αναστολέα (βάση) προορίζεται για το πριόνισμα ξύλου, πλαστικού και οικοδομικών υλικών. Η συσκευή ενδείκνυται για χονδρές εργασίες πριονίσματος, ίσιες και καμπυλωτές κοπές και τον διαχωρισμό ακριβείας επιφανειών. Με τοποθετημένο τον βραχίονα συγκράτησης, η συσκευή είναι κατάλληλη για το πριόνισμα κλαδιών. Λαμβάνετε υπόψη τις πληροφορίες για τις λεπίδες πριονιού και τις υποδείξεις εργασίας κατά το πριόνισμα. Κάθε άλλη χρήση ή μετατροπή της συσκευής θεωρείται μη σύμφωνη με τους κανονισμούς και ενέχει σημαντικούς κινδύνους ατυχημάτων. Για βλάβες από χρήση μη σύμφωνη με τους κανονισμούς, ο κατασκευαστής δεν αναλαμβάνει καμία ευθύνη. Η συσκευή δεν προορίζεται για επαγγελματική χρήση.

Εξοπλισμός

- ❶ Φραγή ενεργοποίησης
- ❷ Χειρολαβή
- ❸ Συστοιχία συσσωρευτών
- ❹ Πλήκτρο απασφάλισης (Συστοιχία συσσωρευτών)
- ❺ Διακόπτης ON/OFF
- ❻ Λεπίδα πριονιού
- ❼ Βάση
- ❽ Δίσκος ταχείας σύσφιξης
- ❾ Προστατευτικό χεριών
- ❿ Πλήκτρο απασφάλισης (βραχίονας συγκράτησης)
- ⓫ Βραχίονας συγκράτησης
- ⓬ Ταχυφορτιστής συσσωρευτών
- ⓭ LED ελέγχου (πράσινο)
- ⓮ LED ελέγχου (κόκκινο)
- ⓯ Ένδειξη κατάστασης συσσωρευτών

Παραδοτέος εξοπλισμός

- 1 επαναφορτιζόμενο πριόνι κήπου 12 V PAAS 12 A2
- 1 Ταχυφορτιστής συσσωρευτών PLGK 12 A2
- 1 Συστοιχία συσσωρευτών PAKP 12 A3
- 1 Βραχίονας συγκράτησης
- 1 Λεπίδα για ξύλο 152 mm/TPI 6

ΥΠΟΔΕΙΞΗ

► TPI = teeth per inch = ο αριθμός των δοντιών ανά 2,54 εκ.

- 1 Βαλιτσάκι μεταφοράς
- 1 Οδηγίες χρήσης

Τεχνικά χαρακτηριστικά

Επαναφορτιζόμενο πριόνι κήπου 12 V

PAAS 12 A2

Τάση μέτρησης 12 V ===
(συνεχές ρεύμα)

Αριθμός στροφών ρελαντί
μέτρησης n_0 0-2700 min⁻¹

Μήκος εμβολισμού 20 χιλ.

Μέγ. απόδοση κοπής Ξύλο 80 mm
Μεταλλικά προφίλ/
μεταλλικοί σωλήνες
50 mm

Υποδοχή λεπίδας 12,7 mm (1/2")

Συστοιχία συσσωρευτών PAKP 12 A3

Τύπος ΛΙΘΙΟΥ-ΙΟΝΤΩΝ

Τάση μέτρησης 12 V ===
(συνεχές ρεύμα)

Χωρητικότητα 2000 mAh/24 Wh

Ταχυφορτιστής συσσωρευτών PLGK 12 A2

ΕΙΣΟΔΟΣ/Input

Ρεύμα μέτρησης 220-240 V ~,
50-60 Hz
(εναλλασσόμενο ρεύμα)

Κατανάλωση μέτρησης 50 W

ΞΕΟΔΟΣ/Output

Τάση μέτρησης 12 V ===
(συνεχές ρεύμα)

Ρεύμα μέτρησης 2400 mA

Διάρκεια φόρτισης περ. 60 λεπτά

Ασφάλεια (εσωτερικά) 2 A

Κατηγορία προστασίας II / (διπλή μόνωση)

Τιμές εκπομπών θορύβου

Τιμή μέτρησης για θόρυβο διακριβωμένη σύμφωνα με το EN 62841. Το επίπεδο θορύβου A-στάθμισης του ηλεκτρικού εργαλείου στην τοποθεσία του χρήστη ανέρχεται συνήθως σε:

Στάθμη ηχητικής πίεσης $L_{pA} = 84,3$ dB (A)

Αβειαιότητα $K_{pA} = 3$ dB

Στάθμη ηχητικής ισχύος $L_{WA} = 95,3$ dB (A)

Αβειαιότητα $K_{WA} = 3$ dB

Φοράτε προστασία για την ακοή!

Οι ολικές τιμές κραδασμών (διανυσματικό άθροισμα τριών κατευθύνσεων) υπολογίστηκαν σύμφωνα με το πρότυπο EN 62841:

Πριόνισμα μοριοσανίδας $a_{h,B} = 7,845$ m/s²

Αβειαιότητα $K = 1,5$ m/s²

Πριόνισμα ξύλινων δοκών $a_{h,WB} = 9,154$ m/s²

Αβειαιότητα $K = 1,5$ m/s²

ΥΠΟΔΕΙΞΗ

- ▶ Η δηλωμένη τιμή συνολικής δόνησης και η δηλωμένη τιμή εκπομπής θορύβου έχουν μετρηθεί σύμφωνα με τυποποιημένη διαδικασία δοκιμής και μπορούν να χρησιμοποιηθούν για τη σύγκριση ενός ηλεκτρικού εργαλείου με άλλο.
- ▶ Η καθορισμένη συνολική τιμή δόνησης και η τιμή εκπομπής θορύβου μπορούν επίσης να χρησιμοποιηθούν για προκαταρκτική εκτίμηση του φορτίου.

ΠΡΟΕΙΔΟΠΟΙΗΣΗ!

- ▶ Η δόνηση και ο θόρυβος μπορούν κατά τη διάρκεια της πραγματικής χρήσης του ηλεκτρικού εργαλείου αποκλίνουν από τις προκαθορισμένες τιμές, ανάλογα με τον τρόπο με τον οποίο χρησιμοποιείται το ηλεκτρικό εργαλείο, ειδικότερα, τον τύπο του τεμαχίου μετάλλου που υποβάλλεται σε επεξεργασία.
- ▶ Προσπαθήστε να ελαχιστοποιήσετε τις επιπτώσεις των κραδασμών και του θορύβου. Παραδειγματικά μέτρα για τη μείωση της έκθεσης σε κραδασμούς περιλαμβάνουν τη χρήση γαντιών κατά τη χρήση του εργαλείου και τον περιορισμό του χρόνου εργασίας. Εδώ είναι όλες οι μετοχές του κύκλου λειτουργίας πρέπει να θεωρείται (για παράδειγμα, φορές όταν ο διακόπτης είναι απενεργοποιημένος, και εκείνες στις οποίες είναι πράγματι σε αλλά λειτουργεί χωρίς φορτίο).

Γενικές υποδείξεις ασφαλείας για τα ηλεκτρικά εργαλεία

ΠΡΟΕΙΔΟΠΟΙΗΣΗ!



Διαβάστε όλες τις υποδείξεις ασφαλείας, τις οδηγίες, τις εικόνες και τα τεχνικά χαρακτηριστικά που συνοδεύουν αυτό το ηλεκτρικό εργαλείο. Παραλείψεις κατά την τήρηση των παρακάτω οδηγιών μπορούν να προκαλέσουν ηλεκτροπληξία, πυρκαγιά και/ή σοβαρούς τραυματισμούς.

Φυλάξτε όλες τις υποδείξεις ασφαλείας και τις οδηγίες για να μπορείτε να ανατρέξετε σε αυτές μελλοντικά.

Ο χρησιμοποιούμενος σε αυτές τις υποδείξεις ασφαλείας όρος «Ηλεκτρικό εργαλείο» αναφέρεται σε ηλεκτρικά εργαλεία (με καλώδιο ρεύματος) που λειτουργούν με ρεύμα και σε ηλεκτρικά εργαλεία (χωρίς καλώδιο ρεύματος) που λειτουργούν μέσω συσσωρευτή.

1. Ασφάλεια στο χώρο εργασίας

- α) Διατηρείτε το χώρο εργασίας σας καθαρό και φροντίζετε για επαρκή φωτισμό. Η ακαταστασία και οι μη φωτισμένοι χώροι εργασίας μπορούν να οδηγήσουν σε ατυχήματα.
- β) Μην εργάζεστε με το ηλεκτρικό εργαλείο σε εκρήξιμα περιβάλλοντα με εύφλεκτα υγρά, αέρια ή σκόνη. Τα ηλεκτρικά εργαλεία δημιουργούν σπινθήρες, οι οποίοι μπορούν να προκαλέσουν ανάφλεξη στη σκόνη ή στους ατμούς.
- γ) Κρατάτε τα παιδιά και άλλα άτομα μακριά κατά τη χρήση του ηλεκτρικού εργαλείου. Σε περίπτωση διάσπασης της προσοχής, μπορεί να χάσετε τον έλεγχο του ηλεκτρικού εργαλείου.

2. Ηλεκτρική ασφάλεια

- α) Το βύσμα σύνδεσης του ηλεκτρικού εργαλείου πρέπει να ταιριάζει στην πρίζα. Το βύσμα δεν επιτρέπεται να τροποποιηθεί με κανέναν τρόπο. Μην χρησιμοποιείτε βύσματα προσαρμογών μαζί με γειωμένα ηλεκτρικά εργαλεία. Τα βύσματα που δεν έχουν τροποποιηθεί και οι κατάλληλες πρίζες μειώνουν τον κίνδυνο ηλεκτροπληξίας.

β) Αποφεύγετε τη σωματική επαφή με γειωμένες επιφάνειες, όπως σωλήνες, θερμαντικά σώματα, εστίες και ψυγεία. Υπάρχει αυξημένος κίνδυνος λόγω ηλεκτροπληξίας όταν το σώμα σας είναι γειωμένο.

γ) Κρατάτε τα ηλεκτρικά εργαλεία μακριά από την βροχή ή την υγρασία. Η διείσδυση νερού σε ένα ηλεκτρικό εργαλείο αυξάνει τον κίνδυνο ηλεκτροπληξίας.

δ) Μην χρησιμοποιείτε το καλώδιο σύνδεσης άσκοπα, π.χ. για να μεταφέρετε το ηλεκτρικό εργαλείο, να το κρεμάσετε ή για να αποσυνδέσετε το βύσμα από την πρίζα. Κρατάτε το καλώδιο σύνδεσης μακριά από υψηλές θερμοκρασίες, λάδια, αιχμηρές άκρες ή κινούμενα μέρη. Τα φθαρμένα ή μπερδεμένα καλώδια σύνδεσης αυξάνουν τον κίνδυνο ηλεκτροπληξίας.

ε) Όταν εργάζεστε με ένα ηλεκτρικό εργαλείο σε εξωτερικό χώρο, χρησιμοποιείτε αποκλειστικά εγκεκριμένα για εξωτερικούς χώρους καλώδια προέκτασης. Η χρήση κατάλληλου για εξωτερικό χώρο καλωδίου προέκτασης μειώνει τον κίνδυνο ηλεκτροπληξίας.

στ) Εάν δεν μπορεί να αποφευχθεί η λειτουργία του ηλεκτρικού εργαλείου σε υγρό περιβάλλον, χρησιμοποιείτε διακόπτη ασφαλείας. Η χρήση διακόπτη ασφαλείας μειώνει τον κίνδυνο ηλεκτροπληξίας.

3. Ασφάλεια απόμων

α) Να είστε προσεκτικοί, προσέχετε τι κάνετε και χρησιμοποιείτε τη λογική όταν εργάζεστε με ένα ηλεκτρικό εργαλείο. Μην χρησιμοποιείτε ηλεκτρικά εργαλεία εάν είστε κουρασμένοι ή υπό την επήρεια ναρκωτικών, αλκοόλ ή φαρμάκων. Ένα μόνο λεπτό απροσεξίας κατά τη χρήση του ηλεκτρικού εργαλείου αρκεί για να οδηγήσει σε σοβαρούς τραυματισμούς.

β) Φοράτε μέσα ατομικής προστασίας και πάντα γυαλιά προστασίας. Όταν φοράτε μέσα ατομικής προστασίας, όπως μάσκα για τη σκόνη, αντιλιοσθητικά υποδήματα ασφαλείας, κράνος ή προστασία για την ακοή, ανάλογα με το είδος και τη χρήση του ηλεκτρικού εργαλείου, μειώνεται ο κίνδυνος τραυματισμών.

- γ) Αποφεύγετε τυχόν ακούσια έναρξη λειτουργίας. Βεβαιώνεστε ότι το ηλεκτρικό εργαλείο έχει απενεργοποιηθεί, προτού το συνδέσετε στην τροφοδοσία ρεύματος και/ή το συσσωρευτή, το σηκώσετε ή το μεταφέρετε. Όταν μεταφέρετε το ηλεκτρικό εργαλείο και έχετε το δάχτυλο στον διακόπτη ή συνδέετε το ηλεκτρικό εργαλείο ενεργοποιημένο στην παροχή ρεύματος, μπορεί να προκληθούν ατυχήματα.
- δ) Απομακρύνετε εργαλεία ρύθμισης ή μηχανικά κλειδιά, πριν ενεργοποιήσετε το ηλεκτρικό εργαλείο. Ένα εργαλείο ή κλειδί, το οποίο βρίσκεται σε ένα περιστρεφόμενο τμήμα του ηλεκτρικού εργαλείου, μπορεί να οδηγήσει σε τραυματισμούς.
- ε) Αποφεύγετε λάθος στάση του σώματος. Φροντίζετε για μια ασφαλή στάση και διατηρείτε πάντα την ισορροπία. Έτσι, μπορείτε να ελέγχετε το ηλεκτρικό εργαλείο καλύτερα σε μη αναμενόμενες καταστάσεις.
- στ) Φοράτε κατάλληλο ρουχισμό. Μη φοράτε μακριά ρούχα ή κοσμήματα. Κρατάτε τα μαλλιά και τα ρούχα μακριά από κινούμενα τμήματα. Τα χαλαρά ρούχα, τα κοσμήματα ή τα μακριά μαλλιά μπορούν να πιαστούν από κινούμενα τμήματα.
- ζ) Εάν μπορούν να συναρμολογηθούν διατάξεις απορρόφησης και συλλογής σκόνης, αυτές θα πρέπει να συνδέονται και να χρησιμοποιούνται σωστά. Η χρήση μιας διάταξης απορρόφησης σκόνης μπορεί να μειώσει τους κινδύνους από τη σκόνη.
- η) Μη νιώθετε τόσο σίγουροι για τον εαυτό σας και μην αγνοείτε τους κανόνες ασφαλείας για τα ηλεκτρικά εργαλεία, ακόμη και εάν έχετε εξοικειωθεί με το ηλεκτρικό εργαλείο μετά από συχνή χρήση. Απρόσεκτες ενέργειες μπορούν να οδηγήσουν μέσα σε κλάσματα του δευτερολέπτου σε σοβαρούς τραυματισμούς.
- β) Μη χρησιμοποιείτε ηλεκτρικά εργαλεία, των οποίων ο διακόπτης έχει υποστεί βλάβη. Ένα ηλεκτρικό εργαλείο, το οποίο δεν μπορεί πλέον να ενεργοποιηθεί ή να απενεργοποιηθεί, είναι επικίνδυνο και πρέπει να επισκευαστεί.
- γ) Αποσυνδέετε το βύσμα από την πρίζα και/ή απομακρύνετε τον αποσπώμενο συσσωρευτή, πριν διεξάγετε ρυθμίσεις στη συσκευή, πριν αλλάξετε μέρη των εργαλείων χρήσης ή πριν αποθηκεύσετε το ηλεκτρικό εργαλείο. Αυτό το μέτρο ασφαλείας εμποδίζει τη μη ηθελημένη εκκίνηση του ηλεκτρικού εργαλείου.
- δ) Φυλάτε τα μη χρησιμοποιημένα ηλεκτρικά εργαλεία σε σημεία μη προσβάσιμα για τα παιδιά. Μην επιτρέπετε να χρησιμοποιούν το ηλεκτρικό εργαλείο άτομα, τα οποία δεν έχουν εξοικειωθεί μαζί του ή δεν έχουν διαβάσει αυτές τις οδηγίες. Τα ηλεκτρικά εργαλεία είναι επικίνδυνα όταν χρησιμοποιούνται από άτομα χωρίς εμπειρία.
- ε) Φροντίζετε τα ηλεκτρικά εργαλεία και τα εργαλεία χρήσης με προσοχή. Ελέγχετε εάν τα κινούμενα μέρη λειτουργούν σωστά και δεν κολλάνε, εάν κάποια μέρη έχουν σπάσει ή παρουσιάζουν τέτοια βλάβη, ώστε να επηρεάζεται η λειτουργία του ηλεκτρικού εργαλείου. Τα εξαρτήματα με βλάβη πρέπει να επισκευάζονται πριν από τη χρήση του ηλεκτρικού εργαλείου. Πολλά ατυχήματα οφείλονται στην κακή συντήρηση των ηλεκτρικών εργαλείων.
- στ) Διατηρείτε τα εργαλεία κοπής αιχμηρά και καθαρά. Τα προσεκτικά φροντισμένα εργαλεία κοπής με αιχμηρές ακμές κοπής κολλάνε λιγότερο και είναι ευκολότερα στον χειρισμό.
- ζ) Χρησιμοποιείτε το ηλεκτρικό εργαλείο, τα εργαλεία χρήσης, κλπ., σύμφωνα με αυτές τις οδηγίες. Λαμβάνετε υπόψη τις συνθήκες εργασίας και την προς διεξαγωγή δραστηριότητα. Η χρήση ηλεκτρικών εργαλείων για διαφορετικές από τις προβλεπόμενες χρήσεις μπορεί να οδηγήσει σε επικίνδυνες καταστάσεις.
- η) Οι χειρολαβές και οι επιφάνειες αυτών πρέπει να είναι στεγνές, καθαρές, χωρίς λάδια και γράσα. Οι ολισθηρές λαβές και επιφάνειες δεν επιτρέπουν τον ασφαλή χειρισμό και έλεγχο του ηλεκτρικού εργαλείου σε απρόβλεπτες καταστάσεις.

4. Χρήση και χειρισμός του ηλεκτρικού εργαλείου

- α) Μην καταπονείτε το ηλεκτρικό εργαλείο. Χρησιμοποιείτε για την εργασία σας το αντίστοιχο ηλεκτρικό εργαλείο. Με το κατάλληλο ηλεκτρικό εργαλείο εργάζεστε καλύτερα και ασφαλέστερα στο δοθέν πεδίο απόδοσης.

5. Χρήση και χειρισμός του επαναφορτιζόμενου εργαλείου

- α) Φορτίζετε τους συσσωρευτές μόνο με προτεινόμενους από τον κατασκευαστή φορτιστές. Σε περίπτωση χρήσης φορτιστών κατάλληλων για συγκεκριμένο τύπο συσσωρευτών με διαφορετικούς συσσωρευτές, υπάρχει κίνδυνος πυρκαγιάς.
- β) Χρησιμοποιείτε μόνο τους προβλεπόμενους συσσωρευτές στα ηλεκτρικά εργαλεία. Σε περίπτωση χρήσης διαφορετικών συσσωρευτών, ενδέχεται να προκληθούν τραυματισμοί και πυρκαγιά.
- γ) Όταν δεν χρησιμοποιείται ο συσσωρευτής, πρέπει να φυλάσσεται μακριά από συνδετήρες, νομίσματα, κλειδιά, καρφιά, βίδες ή άλλα μικρά μεταλλικά αντικείμενα, τα οποία θα μπορούσαν να προκαλέσουν γεφύρωση των επαφών. Τυχόν βραχυκύκλωμα μεταξύ των επαφών του συσσωρευτή μπορεί να έχει ως επακόλουθο εγκαύματα ή πυρκαγιά.
- δ) Σε περίπτωση εσφαλμένης χρήσης, ενδέχεται να εξέλθει υγρό από τον συσσωρευτή. Αποφεύγετε την επαφή με το υγρό. Σε περίπτωση τυχαίας επαφής, ξεπλύνετε με νερό. Εάν το υγρό έλθει σε επαφή με τα μάτια, ζητήστε ιατρική βοήθεια. Το εκρέον υγρό των συσσωρευτών μπορεί να προκαλέσει δερματικούς ερεθισμούς ή εγκαύματα.
- ε) Μη χρησιμοποιείτε κατεστραμμένους ή τροποποιημένους συσσωρευτές. Οι κατεστραμμένοι ή τροποποιημένοι συσσωρευτές έχουν απρόβλεπτη συμπεριφορά και ενδέχεται να προκαλέσουν φωτιά, έκρηξη ή τραυματισμούς.
- στ) Μην εκθέτετε τους συσσωρευτές σε φωτιά ή υψηλές θερμοκρασίες. Η φωτιά ή θερμοκρασίες άνω των 130°C (265°F) μπορεί να οδηγήσουν σε έκρηξη.

ζ) Τηρείτε όλες τις οδηγίες σχετικά με τη φόρτιση και μην φορτίζετε ποτέ τον συσσωρευτή ή το επαναφορτιζόμενο εργαλείο εκτός του εύρους θερμοκρασιών που αναγράφεται στις οδηγίες χρήσης. Λάθος φόρτιση ή φόρτιση εκτός του επιτρεπόμενου θερμοκρασιακού εύρους μπορεί να καταστρέψει τον συσσωρευτή και να αυξήσει τον κίνδυνο πυρκαγιάς.



ΠΡΟΣΟΧΗ! ΚΙΝΔΥΝΟΣ ΕΚΡΗΞΗΣ!

Μη φορτίζετε ποτέ μη επαναφορτιζόμενες μπαταρίες.



Προστατεύετε τον συσσωρευτή από υψηλές θερμοκρασίες, καθώς και π.χ. από συνεχή ηλιακή ακτινοβολία, φωτιά, νερό και υγρασία. Υφίσταται κίνδυνος έκρηξης.

6. Σέρβις

- α) Το ηλεκτρικό εργαλείο σας πρέπει να επισκευάζεται αποκλειστικά από καταρτισμένο και εξειδικευμένο προσωπικό και μόνο με γνήσια ανταλλακτικά. Κατά αυτόν τον τρόπο, διατηρείται η ασφάλεια του ηλεκτρικού εργαλείου.
- β) Μη συντηρείτε ποτέ συσσωρευτές που έχουν υποστεί βλάβη. Οποιαδήποτε εργασία συντήρησης συσσωρευτών πρέπει να διεξάγεται αποκλειστικά από τον κατασκευαστή ή εξουσιοδοτημένα σημεία εξυπηρέτησης πελατών.

Συγκεκριμένες υποδείξεις ασφαλείας για σπαθόσεγες

- Κρατάτε το ηλεκτρικό εργαλείο από τις μονωμένες επιφάνειες λαβής κατά την πραγματοποίηση εργασιών, κατά τις οποίες το εργαλείο εφαρμογής μπορεί να συναντήσει κρυφούς αγωγούς ρεύματος. Η επαφή με έναν ρευματοφόρο αγωγό θέτει υπό τάση ακόμη και μεταλλικά τμήματα της συσκευής, προκαλώντας ηλεκτροπληξία.
- Φοράτε μάσκα προστασίας από τη σκόνη!



ΠΡΟΕΙΔΟΠΟΙΗΣΗ!

- Μη χρησιμοποιείτε αξεσουάρ, τα οποία δε συστήνονται από την PARKSIDE. Μπορεί έτσι να προκύψει ηλεκτροπληξία και πυρκαγιά.

Υποδείξεις ασφαλείας για φορτιστές

- Αυτή η συσκευή επιτρέπεται να χρησιμοποιείται από παιδιά άνω των 8 ετών, καθώς και από άτομα με περιορισμένες φυσικές, αισθητηριακές ή νοητικές ικανότητες ή ελλείψεις από άποψη εμπειρίας και γνώσεων, εφόσον επιβλέπονται ή έχουν ενημερωθεί αναφορικά με την ασφαλή χρήση της συσκευής και κατανοούν τους πιθανούς κινδύνους. Τα παιδιά δεν επιτρέπεται να παίζουν με τη συσκευή. Ο καθαρισμός και η συντήρηση από τον χρήστη δεν επιτρέπεται να διεξάγονται από παιδιά, χωρίς επίβλεψη.



Ο φορτιστής είναι κατάλληλος για λειτουργία μόνο σε εσωτερικούς χώρους.

- Εάν το καλώδιο σύνδεσης δικτύου της συσκευής υποστεί βλάβη, πρέπει να αντικατασταθεί από τον κατασκευαστή ή το τμήμα εξυπηρέτησης πελατών ή ένα αντιστοίχως εξειδικευμένο άτομο, ώστε να αποφευχθούν τυχόν κίνδυνοι.

ΠΡΟΣΟΧΉ!

- ▶ Αυτός ο φορτιστής ενδείκνυται για τη φόρτιση μόνο των ακόλουθων μπαταριών: PAK 12 A1/PARK 12 A2/PARK 12 A3/PARK 12 B1.
- ▶ Μπορείτε να βρείτε την τρέχουσα συμβατότητα μπαταριών στην ηλεκτρονική διεύθυνση www.lidl.de/akku.

Υποδείξεις εργασίας για το πριόνισμα

- Ελέγξτε το προς επεξεργασία υλικό για ξένα σώματα, όπως καρφιά, βίδες, κλπ., και απομακρυνέτε τα.
- Απενεργοποιήστε αμέσως τη συσκευή, εάν η λεπίδα **G** μαγκώσει. Ανοίξτε το ήδη κομμένο κενό με κατάλληλο εργαλείο και τραβήξτε τη συσκευή προς τα έξω.
- Πριονίστε το υλικό με σταθερή πρόωση.

Γνήσια εξαρτήματα/πρόσθετες συσκευές

- Χρησιμοποιείτε μόνο εξαρτήματα και πρόσθετες συσκευές που αναφέρονται στις οδηγίες χρήσης. Η χρήση άλλων εργαλείων εφαρμογής ή εξαρτημάτων, από αυτά που προτείνονται στις οδηγίες χρήσης, μπορεί να ενέχει για εσάς κίνδυνο τραυματισμού.

Πληροφορίες σχετικά με τις λεπίδες

Μπορείτε να χρησιμοποιήσετε κάθε άλλη λεπίδα, υπό την προϋπόθεση ότι διαθέτει την κατάλληλη υποδοχή - άξονα γενικής χρήσης 1/2" (12,7 mm). Στο εμπόριο διατίθενται λεπίδες διαφορετικού μήκους για κάθε σκοπό χρήσης της συσκευής σας.

ΥΠΟΔΕΙΞΗ

- ▶ TPI = teeth per inch = ο αριθμός των δοντιών ανά 2,54 εκ.

Πριν από τη θέση σε λειτουργία

Φόρτιση συστοιχίας συσσωρευτών

⚠ ΠΡΟΣΟΧΗ!

- ▶ Τραβάτε πάντα το βύσμα πριν πάρετε τη συστοιχία συσσωρευτών **3** από τον ταχυφορτιστή συσσωρευτών **12** ή πριν την τοποθετήσετε.

ΥΠΟΔΕΙΞΗ

- ▶ Μη φορτίζετε ποτέ τη συστοιχία μπαταριών όταν η θερμοκρασία περιβάλλοντος βρίσκεται κάτω των 10°C ή άνω των 40°C. Εάν απαιτείται αποθήκευση μιας μπαταρίας λιθίου-ιόντων για μεγάλο χρονικό διάστημα, πρέπει να ελέγχεται τακτικά η κατάσταση φόρτισής της. Η βέλτιστη κατάσταση φόρτισης κυμαίνεται μεταξύ 50% και 80%. Το κλίμα αποθήκευσης πρέπει να είναι δροσερό και ξηρό με μια θερμοκρασία περιβάλλοντος μεταξύ 0°C και 50°C.
- ◆ Τοποθετήστε τη συστοιχία συσσωρευτών **3** στον ταχυφορτιστή **12**.
- ◆ Εισάγετε το βύσμα στην πρίζα. Το LED ελέγχου **14** ανάβει με κόκκινο χρώμα.
- ◆ Το πράσινο LED ελέγχου **13** σηματοδοτεί ότι η διαδικασία φόρτισης έχει ολοκληρωθεί και η συστοιχία συσσωρευτών είναι έτοιμη για χρήση.
- ◆ Ωθήστε τη συστοιχία συσσωρευτών **3** μέσα στη συσκευή.
- ◆ Απενεργοποιείτε τον ταχυφορτιστή **12** μεταξύ διαδοχικών διαδικασιών φόρτισης τουλάχιστον για 15 λεπτά. Για να γίνει αυτό, αποσυνδέετε το βύσμα.

Τοποθέτηση/απομάκρυνση συστοιχίας συσσωρευτών στη/από τη συσκευή

Τοποθέτηση συστοιχίας συσσωρευτών

- ◆ Αφήστε τη συστοιχία συσσωρευτών **3** να ασφαλίσει στη χειρολαβή **2**.

Αφαίρεση της συστοιχίας συσσωρευτών

- ◆ Πιέστε και τα δύο πλήκτρα απασφάλισης **4** και αφαιρέστε τη συστοιχία συσσωρευτών **3**.

Έλεγχος κατάστασης συσσωρευτών

- ◆ Για τον έλεγχο της κατάστασης συσσωρευτών πιέστε τη φραγή ενεργοποίησης **1** και τον διακόπτη ON/OFF **5**. Η κατάσταση ή η υπολειπόμενη απόδοση προβάλλονται στην ένδειξη κατάστασης συσσωρευτών **15** ως εξής: ΚΟΚΚΙΝΟ/ΠΟΡΤΟΚΑΛΙ/ΠΡΑΣΙΝΟ = μέγιστη φόρτιση/απόδοση ΚΟΚΚΙΝΟ/ΠΟΡΤΟΚΑΛΙ = μέτρια φόρτιση/απόδοση ΚΟΚΚΙΝΟ = αδύναμη φόρτιση - φορτίστε το συσσωρευτή

Τοποθέτηση/Απομάκρυνση βραχίονα συγκράτησης

ΥΠΟΔΕΙΞΗ

- ▶ Η τοποθέτηση/απομάκρυνση του βραχίονα συγκράτησης **11** δεν είναι εφικτή με τοποθετημένη τη λεπίδα **6**.

Τοποθέτηση βραχίονα συγκράτησης (βλ. Εικ. Α-С)

- ◆ Ωθήστε τον βραχίονα συγκράτησης **11** μέσα των οδηγών της βάσης **7** μέσα στη συσκευή.

Απομάκρυνση βραχίονα συγκράτησης

- ◆ Πιέστε το πλήκτρο απασφάλισης **10** και τραβήξτε τον βραχίονα συγκράτησης **11** προς τα εμπρός και έξω από τον οδηγό.

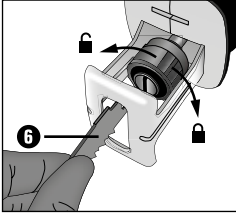
Τοποθέτηση/Αλλαγή λεπίδας

Κατά την τοποθέτηση/αλλαγή της λεπίδας **6** φοράτε προστατευτικά γάντια.

- ◆ Περιστρέψτε πλήρως τον δίσκο ταχείας σύσφιξης **8** προς τη φορά του βέλους και κρατήστε τον έτσι.
- ◆ Πιέστε τη λεπίδα **6** τέρμα μέσα στον δίσκο ταχείας σύσφιξης **8**.

⚠ ΠΡΟΣΟΧΗ!

- ▶ Η οδόντωση της λεπίδας **6** πρέπει να δείχνει προς τα κάτω!



- ◆ Αφήστε ελεύθερο τον δίσκο ταχείας σύσφιξης **8**. Πρέπει να επιστρέφει στην αρχική θέση του. Η λεπίδα **6** έχει πλέον ασφαλίσει.

Θέση σε λειτουργία

Ενεργοποίηση/απενεργοποίηση

Ενεργοποίηση

- ◆ Πιέστε τη φραγή ενεργοποίησης **1**.
- ◆ Πιέστε τον διακόπτη ON/OFF **5**.

Απενεργοποίηση

- ◆ Αφήστε ελεύθερο τον διακόπτη ON/OFF **5**.

Μέθοδοι πριονίσματος

A) Εργασία χωρίς βραχίονα συγκράτησης (βλ. Εικ. D)

- Σε περίπτωση κλαδιών μεγάλης διαμέτρου ή πριονίσματος ξύλου, πλαστικού και οικοδομικών υλικών, πρέπει να εργάζεστε ΧΩΡΙΣ βραχίονα συγκράτησης **11**. Το τεμάχιο πριονίσματος πρέπει να εφάπτεται με τη βάση. Όταν τα τεμάχια επεξεργασίας είναι στρογγυλά, να κινείτε τη συσκευή προς την εγκάρσια τομή.

A1) Επίπεδο πριόνισμα

- Με την προϋπόθεση χρήσης ευλύγιστων λεπίδων σωστού μήκους, μπορείτε να πριονίζετε προεξέχοντα υλικά επεξεργασίας, όπως π.χ. σωλήνες, απευθείας στον τοίχο.

1. Τοποθετήστε τη λεπίδα **6** απευθείας στον τοίχο.
2. Λυγίστε την μέσω πλευρικής πίεσης στη συσκευή, έτσι ώστε η βάση **7** να ακουμπάει στο πλάι στον τοίχο.
3. Ενεργοποιήστε τη συσκευή και πριονίστε το τεμάχιο επεξεργασίας με σταθερή πίεση.

A2) Κοπή εμβύθισης (βλ. Εικ. E)

⚠ ΠΡΟΣΟΧΗ!

ΚΙΝΔΥΝΟΣ ΑΝΤΕΠΙΣΤΡΟΦΗΣ!

- ▶ Οι κοπές εμβύθισης επιτρέπεται να διεξάγονται μόνο σε μαλακά υλικά (ξύλο ή παρόμοια).

1. Τοποθετήστε τη συσκευή με την κάτω ακμή της βάσης **7** στο υλικό επεξεργασίας. Ενεργοποιήστε τη συσκευή.
2. Γείρετε τη συσκευή προς τα μπροστά και βυθίστε τη λεπίδα **6** στο υλικό επεξεργασίας.
3. Τοποθετήστε τη συσκευή κάθετα και συνεχίστε να πριονίζετε κατά μήκος της γραμμής κοπής.

B) Εργασία με βραχίονα συγκράτησης (βλ. Εικ. F)

- ◆ Κινήστε τη συσκευή με ελαφριά πίεση προς τα κάτω.

Συντήρηση και καθαρισμός



ΠΡΟΕΙΔΟΠΟΙΗΣΗ! ΚΙΝΔΥΝΟΣ ΤΡΑΥΜΑΤΙΣΜΟΥ! Πριν από οποιαδήποτε εργασία στη συσκευή, απενεργοποιείτε την και αφαιρείτε τον συσσωρευτή.

- Πριν από όλες τις εργασίες στη συσκευή, απομακρύνετε πάντα τη λεπίδα **6**.
- Διατηρείτε πάντα τη συσκευή και τις σπές αερισμού καθαρές. Εάν οι σπές αερισμού φράξουν, υπάρχει κίνδυνος υπερθέρμανσης ή/και ζημιάς της συσκευής.
- Καθαρίζετε τη συσκευή μετά την ολοκλήρωση της εργασίας.
- Δεν επιτρέπεται να εισχωρούν υγρά στο εσωτερικό της συσκευής. Για τον καθαρισμό του περιβλήματος χρησιμοποιείτε ένα πανί. Μη χρησιμοποιείτε ποτέ βενζίνη, διαλυτικά μέσα ή καθαριστικά, τα οποία διαβρώνουν το πλαστικό.
- Εφόσον απαιτείται, καθαρίζετε την υποδοχή των λεπίδων με ένα πινέλο ή με πεπιεσμένο αέρα.
- Εάν απαιτείται η αποθήκευση του συσσωρευτή λιθίου-ιόντων για μεγάλο χρονικό διάστημα, πρέπει να ελέγχεται τακτικά η κατάσταση φόρτισής του. Η βέλτιστη κατάσταση φόρτισης κυμαίνεται μεταξύ 50% και 80%. Το βέλτιστο περιβάλλον αποθήκευσης είναι σε δροσερό και στεγνό χώρο.

Εγγύηση της

Kompnass Handels GmbH

Αξιότιμη πελάτισσα, αξιότιμε πελάτη,

Η παρούσα συσκευή διαθέτει 3 χρόνια εγγύηση από την ημερομηνία αγοράς. Στην περίπτωση ελλείψεων στο προϊόν έχετε νομικά δικαιώματα έναντι του πωλητή του προϊόντος. Αυτά τα νομικά δικαιώματα δεν περιορίζονται μέσω της κατωτέρω αναφερόμενης εγγύησης.

Προϋποθέσεις εγγύησης

Η περίοδος εγγύησης ξεκινά την ημερομηνία αγοράς. Φυλάσσετε την απόδειξη αγοράς. Απαιτείται ως αποδεικτικό αγοράς.

Εάν, εντός τριών ετών από την ημερομηνία αγοράς, παρατηρηθεί κάποιο σφάλμα υλικού ή κατασκευής στο προϊόν, θα επισκευάσουμε ή θα αντικαταστήσουμε (κατόπιν κρίσης μας) το προϊόν δωρεάν ή θα σας επιστραφεί το ποσό αγοράς. Η παρούσα εγγύηση προϋποθέτει ότι η ελαττωματική συσκευή και η απόδειξη αγοράς θα υποβληθούν μαζί με μια σύντομη περιγραφή αναφορικά με το πού βρέσκεται η έλλειψη και τότε παρατηρήθηκε, εντός της περιόδου των τριών ετών.

Εάν το ελάττωμα καλύπτεται από την εγγύησή μας, θα λάβετε το επισκευασμένο ή ένα νέο προϊόν.

Για τις συστοιχίες συσσωρευτών της σειράς X 12 V και X 20 V Team παρέχεται εγγύηση 3 ετών από την ημερομηνία αγοράς.

Περίοδος εγγύησης και νομικές απαιτήσεις λόγω ελλείψεων

Ο χρόνος εγγύησης δεν παρατείνεται μέσω της παροχής εγγύησης. Αυτό ισχύει και για εξαρτήματα, τα οποία έχουν αντικατασταθεί και επισκευαστεί. Ενδεχόμενες ήδη υπάρχουσες ζημιές και ελλείψεις κατά την αγορά πρέπει να γνωστοποιούνται αμέσως μετά την αποσυσκευασία. Μετά τη λήξη του χρόνου εγγύησης, τυχόν εμφανιζόμενες επισκευές χρεώνονται.

Εύρος εγγύησης

Η συσκευή κατασκευάστηκε σύμφωνα με αυστηρές οδηγίες ποιότητας και ελέγχθηκε προσεκτικά πριν από την αποστολή.

Η εγγύηση ισχύει για σφάλματα υλικού ή κατασκευής. Η παρούσα εγγύηση δεν καλύπτει εξαρτήματα του προϊόντος που υπόκεινται σε φυσιολογική φθορά και, ως εκ τούτου, θεωρούνται αναλώσιμα εξαρτήματα ή ζημιές σε εύθραυστα εξαρτήματα, π.χ. διακόπτες ή γυάλινα εξαρτήματα.

Η παρούσα εγγύηση ακυρώνεται εάν προκληθεί ζημιά στο προϊόν, εάν δεν γίνεται σωστή χρήση ή συντήρηση. Για μια σωστή χρήση του προϊόντος πρέπει να τηρούνται επακριβώς οι αναφερόμενες υποδείξεις στις οδηγίες χειρισμού. Σκοποί χρήσης και χειρισμοί που δεν συνιστώνται ή για τους οποίους υπάρχει προειδοποίηση πρέπει απαραίτητα να αποφεύγονται.

Το προϊόν προορίζεται μόνο για ιδιωτική και όχι για επαγγελματική χρήση. Σε περίπτωση κακής μεταχείρισης και ακατάλληλης χρήσης, χρήσης βίας και παρεμβάσεων, οι οποίες δεν διεξήχθησαν από το εξουσιοδοτημένο μας τμήμα σέρβις, η εγγύηση παύει να ισχύει.

Η εγγύηση δεν ισχύει στις παρακάτω περιπτώσεις

- σε φυσιολογική εξασθένηση της χωρητικότητας συσσωρευτή
- σε περίπτωση επαγγελματικής χρήσης του προϊόντος
- σε περίπτωση ζημιάς ή τροποποίησης του προϊόντος από τον πελάτη
- σε περίπτωση μη τήρησης των προδιαγραφών ασφάλειας και συντήρησης, καθώς και σφαλμάτων χειρισμού
- σε περίπτωση ζημιών λόγω φυσικών φαινομένων

Διαδικασία σε περίπτωση εγγύησης

Για την εξασφάλιση γρήγορης επεξεργασίας του ζητήματός σας, τηρείτε τις ακόλουθες υποδείξεις:

- Για όλες τις ερωτήσεις έχετε έτοιμη την απόδειξη αγοράς και τον κωδικό προϊόντος (π.χ. IAN 12345) ως απόδειξη για την αγορά.
- Για τον κωδικό προϊόντος, ανατρέξτε στην πινακίδα τύπου στο προϊόν, σε μια ετικέτα στο προϊόν, στο εξώφυλλο των οδηγιών χρήσης (κάτω αριστερά) ή σε ένα αυτοκόλλητο στην πίσω ή κάτω πλευρά του προϊόντος.
- Εάν προκύψουν σφάλματα λειτουργίας ή άλλες ελλείψεις, επικοινωνήστε κατ' αρχήν με το ακόλουθο αναφερόμενο τμήμα σέρβις **τηλεφωνικά ή με E-Mail**.
- Ένα προϊόν που θεωρείται ελαττωματικό μπορεί να το αποστείλετε ατελώς στην αναφερόμενη διεύθυνση του σέρβις επισυνάπτοντας την απόδειξη αγοράς (απόδειξη ταμείου) και αναφέροντας που βρίσκεται η έλλειψη και τότε εμφανίστηκε.



Στην ιστοσελίδα

www.lidl-service.com μπορείτε να πραγματοποιήσετε λήψη των παρόντων ή άλλων οδηγιών χρήσης, βίντεο προϊόντων και λογισμικού.

Με αυτόν τον κωδικό QR μεταβαίνετε απευθείας στη σελίδα εξυπηρέτησης Lidl (www.lidl-service.com) και εισαγόντας τον κωδικό προϊόντος (IAN) 364106_2010 μπορείτε να ανοίξετε τις αντίστοιχες οδηγίες χρήσης.

ΠΡΟΕΙΔΟΠΟΙΗΣΗ!

- ▶ Αναθέτετε την επισκευή των συσκευών σας στην υπηρεσία σέρβις ή σε εξειδικευμένο ηλεκτρολόγο και μόνο με γνήσια ανταλλακτικά. Έτσι διατηρείται η ασφάλεια της συσκευής.
- ▶ Η αλλαγή του βύσματος ή του καλωδίου δικτύου πρέπει να διεξάγεται πάντα από τον κατασκευαστή της συσκευής ή από το τμήμα εξυπηρέτησης πελατών του. Έτσι διατηρείται η ασφάλεια της συσκευής.

ΥΠΟΔΕΙΞΗ

► Μπορείτε να παραγγείλετε τα μη αναφερόμενα ανταλλακτικά (όπως π.χ. συσσωρευτές, διακόπτες ή βραχίονες συγκράτησης) μέσω του τηλεφωνικού μας κέντρου.

Σέρβις

GR Σέρβις Ελλάδα
Tel.: 801 5000 019 (0,03 EUR/Min.)
E-Mail: kompernass@lidl.gr

CY Σέρβις Κύπρος
Tel.: 8009 4409
E-Mail: kompernass@lidl.com.cy

IAN 364106_2010

Εισαγωγέας

Η ακόλουθη διεύθυνση δεν είναι διεύθυνση σέρβις. Επικοινωνήστε, κατ' αρχήν, με την αναφερόμενη υπηρεσία σέρβις.

KOMPERNASS HANDELS GMBH
BURGSTRASSE 21
44867 BOCHUM
GERMANIA
www.kompernass.com

Απόρριψη



Η συσκευασία αποτελείται από φιλικά προς το περιβάλλον υλικά, τα οποία μπορείτε να απορρίψετε μέσω των τοπικών υπηρεσιών ανακύκλωσης.



Μην πετάτε τα ηλεκτρικά εργαλεία στα οικιακά απορρίμματα!

Σύμφωνα με την ευρωπαϊκή οδηγία 2012/19/EU, τα χρησιμοποιημένα ηλεκτρικά εργαλεία πρέπει να συλλέγονται χωριστά και να επαναχρησιμοποιούνται με φιλικό προς το περιβάλλον τρόπο.



Μην απορρίπτετε τους συσσωρευτές στα οικιακά απορρίμματα!

Οι ελαττωματικοί ή χρησιμοποιημένοι συσσωρευτές πρέπει να ανακυκλώνονται σύμφωνα με την οδηγία 2006/66/EC. Επιστρέψτε τη συστοιχία συσσωρευτών και/ή τη συσκευή μέσω των προσφερόμενων εγκαταστάσεων συλλογής.

Θα ενημερωθείτε για τις δυνατότητες απόρριψης των χρησιμοποιημένων ηλεκτρικών εργαλείων/της συστοιχίας συσσωρευτών από τη διαχείριση της κοινότητας ή της πόλης σας.



Απορρίψτε τη συσκευασία με τρόπο φιλικό προς το περιβάλλον. Λαμβάνετε υπόψη τη σήμανση στα διάφορα υλικά συσκευασίας και, εφόσον απαιτείται, ξεχωρίζετε τα. Τα υλικά συσκευασίας φέρουν σήμανση με συντομογραφίες (a) και ψηφία (b) με την εξής σημασία: 1-7: Πλαστικά, 20-22: Χαρτί και χαρτόνι, 80-98: Συνθετικά υλικά.



Για τις δυνατότητες απόρριψης του προϊόντος μετά το τέλος του κύκλου ζωής του, απευθυνθείτε στην αρμόδια υπηρεσία της κοινότητας ή της πόλης σας.

Μετάφραση της Πρωτότυπης Δήλωση συμμόρφωσης

Εμείς, Η KOMPERNASS HANDELS GMBH, Υπεύθυνος τεκμηριώσεων: Κύριος Semi Uguzlu, BURGSTR. 21, 44867 BOCHUM, Γερμανία, δηλώνουμε δια της παρούσης ότι το παρόν προϊόν συμφώνει με τα ακόλουθα πρότυπα, τα κανονιστικά έγγραφα και τις οδηγίες της ΕΚ:

Οδηγία περί μηχανών (2006/42/EC)

Οδηγία περί χαμηλής τάσης ΕΚ (2014/35/EU, μόνο για τον φορτιστή)

Ηλεκτρομαγνητική συμβατότητα (2014/30/EU)

Οδηγία RoHS (σχετικά με τον περιορισμό χρήσης συγκεκριμένων επικίνδυνων ουσιών στον ηλεκτρικό και ηλεκτρονικό εξοπλισμό) (2011/65/EU)*

* Ο κατασκευαστής φέρει αποκλειστική ευθύνη για τη σύνταξη αυτής της δήλωσης συμμόρφωσης. Το ανωτέρω περιγραφόμενο αντικείμενο της δήλωσης πληροί τις προδιαγραφές της οδηγίας 2011/65/EU του Ευρωπαϊκού Κοινοβουλίου και του Συμβουλίου της 8ης Ιουνίου 2011 σχετικά με τον περιορισμό της χρήσης συγκεκριμένων επικίνδυνων υλικών σε ηλεκτρικές και ηλεκτρονικές συσκευές.

Εφαρμοσμένα εναρμονισμένα πρότυπα

EN 62841-1:2015

EN 62841-2-11:2016

EN 62233:2008

EN 60335-1:2012/A2:2019

EN 60335-2-29:2004/A11: 2018

EN 55014-1:2017

EN 55014-2:2015

EN 61000-3-2:2014

EN 61000-3-3:2013

EN IEC 63000:2018

Τύπος/περιγραφή συσκευής: Επαναφορτιζόμενο πριόνι κήπου 12 V PAAS 12 A2

Έτος κατασκευής: 12-2020

Σειριακός αριθμός: IAN 364106_2010

Bochum, 13.01.2021




Semi Uguzlu

- Διευθυντής ποιότητας -

Με την επιφύλαξη τεχνικών αλλαγών υπό την έννοια της συνεχούς ανάπτυξης.

Παραγγελία εφεδρικού συσσωρευτή



Εάν επιθυμείτε να παραγγείλετε έναν ανταλλακτικό συσσωρευτή για τη συσκευή σας, ανατρέξτε στην ηλεκτρονική διεύθυνση www.komprepass.com ή καλέστε μας στους διαθέσιμους τηλεφωνικούς αριθμούς.

Λόγω περιορισμένης διαθεσιμότητας, το προϊόν ενδέχεται να εξαντληθεί μετά από σύντομο χρονικό διάστημα.

ΥΠΟΔΕΙΞΗ

- Σε ορισμένες χώρες δεν είναι δυνατή η ηλεκτρονική παραγγελία ανταλλακτικών. Σε αυτήν την περίπτωση, επικοινωνήστε με την τηλεφωνική γραμμή σέρβις.

Τηλεφωνική παραγγελία

GR Σέρβις Ελλάδα Tel.: 801 5000 019 (0,03 EUR/Min.)

CY Σέρβις Κύπρος Tel.: 8009 4409

Για να διασφαλιστεί η γρήγορη επεξεργασία της παραγγελίας σας για οποιοδήποτε αίτημα, έχετε εύκαιρο τον κωδικό προϊόντος (π.χ. IAN 364106) της συσκευής. Για τον κωδικό προϊόντος, ανατρέξτε στην πινακίδα τύπου ή στην πρώτη σελίδα των οδηγιών.

Inhaltsverzeichnis

Einleitung	30
Bestimmungsgemäßer Gebrauch	30
Ausstattung	30
Lieferumfang	30
Technische Daten	31
Allgemeine Sicherheitshinweise für Elektrowerkzeuge	32
1. Arbeitsplatzsicherheit	32
2. Elektrische Sicherheit	32
3. Sicherheit von Personen	32
4. Verwendung und Behandlung des Elektrowerkzeugs	33
5. Verwendung und Behandlung des Akkuwerkzeugs	34
6. Service	34
Gerätespezifische Sicherheitshinweise für Säbelsägen	34
Sicherheitshinweise für Ladegeräte	35
Arbeitshinweise zum Sägen	35
Originalzubehör/-zusatzgeräte	35
Informationen zu Sägeblättern	35
Vor der Inbetriebnahme	36
Akku-Pack laden	36
Akku-Pack ins Gerät einsetzen/entnehmen	36
Akkuzustand prüfen	36
Haltebügel einsetzen/entnehmen	36
Sägeblatt montieren/wechseln	37
Inbetriebnahme	37
Ein-/ausschalten	37
Sägemethoden	37
Wartung und Reinigung	38
Garantie der Kompernaß Handels GmbH	38
Service	40
Importeur	40
Entsorgung	40
Original-Konformitätserklärung	41
Ersatz-Akku-Bestellung	42
Telefonische Bestellung	42

12-V-AKKU-ASTSÄGE PAAS 12 A2

Einleitung

Wir beglückwünschen Sie zum Kauf Ihres neuen Gerätes. Sie haben sich damit für ein hochwertiges Produkt entschieden. Die Bedienungsanleitung ist Teil dieses Produkts. Sie enthält wichtige Hinweise für Sicherheit, Gebrauch und Entsorgung. Machen Sie sich vor der Benutzung des Produkts mit allen Bedien- und Sicherheitshinweisen vertraut. Benutzen Sie das Produkt nur wie beschrieben und für die angegebenen Einsatzbereiche. Händigen Sie alle Unterlagen bei Weitergabe des Produkts an Dritte mit aus.

Bestimmungsgemäßer Gebrauch

Das Gerät, normativ eine Säbelsäge, ist mit festem Anschlag (Fußplatte) zum Sägen von Holz, Kunststoff und Baustoffen bestimmt. Das Gerät eignet sich für grobe Sägearbeiten, gerade, kurvige Schnitte und trennt Flächen bündig ab. Mit montiertem Haltebügel ist das Gerät zum Sägen von Ästen geeignet. Beachten Sie die Informationen zu Sägeblättern und Arbeitshinweise zum Sägen. Jede andere Verwendung oder Veränderung der Maschine gilt als nicht bestimmungsgemäß und birgt erhebliche Unfallgefahren. Für aus bestimmungswidriger Verwendung entstandene Schäden übernimmt der Hersteller keine Haftung. Das Gerät ist nicht für den gewerblichen Einsatz bestimmt.

Ausstattung

- ❶ Einschaltsperr
- ❷ Handgriff
- ❸ Akku-Pack
- ❹ Entriegelung (Akku-Pack)
- ❺ EIN-/AUS-Schalter
- ❻ Sägeblatt
- ❼ Fußplatte
- ❽ Schnellspannfutter
- ❾ Handschutz
- ❿ Entriegelung (Haltebügel)
- ⓫ Haltebügel
- ⓬ Akku-Schnellladegerät
- ⓭ Kontroll-LED (grün)
- ⓮ Kontroll-LED (rot)
- ⓯ Akkuzustandsanzeige

Lieferumfang

- 1 12-V-Akku-Astsäge PAAS 12 A2
- 1 Akku-Schnellladegerät PLGK 12 A2
- 1 Akku-Pack PAPK 12 A3
- 1 Haltebügel
- 1 Sägeblatt Holz 152 mm/TPI 6

HINWEIS

- ▶ TPI = teeth per inch = die Anzahl der Zähne je 2,54 cm

- 1 Tragekoffer
- 1 Bedienungsanleitung

Technische Daten

12-V-Akku-Astsäge PAAS 12 A2

Bemessungsspannung 12 V \equiv (Gleichstrom)

Bemessungs-

Leerlaufdrehzahl n_0 0–2700 min⁻¹

Hublänge 20 mm

Max. Schnittleistung Holz 80 mm
Metallprofile/
Metallrohre 50 mm

Sägeblattaufnahme 12,7 mm (1/2")

Akku-Pack PAKP 12 A3

Typ LITHIUM-IONEN

Bemessungsspannung 12 V \equiv (Gleichstrom)

Kapazität 2000 mAh/24 Wh

Akku-Schnellladegerät PLGK 12 A2

EINGANG/Input

Bemessungsstrom 220–240 V \sim , 50–60 Hz
(Wechselstrom)

Bemessungsaufnahme 50 W

AUSGANG/Output

Bemessungsspannung 12 V \equiv (Gleichstrom)

Bemessungsstrom 2400 mA

Ladedauer ca. 60 min

Sicherung (innen) 2 A $\frac{TZA}{\text{---}}$

Schutzklasse II/ \square (Doppelisolierung)

Geräuschemissionswerte

Messwert für Geräusch ermittelt entsprechend EN 62841. Der A-bewertete Geräuschpegel des Elektrowerkzeugs am Ort des Benutzers beträgt typischerweise:

Schalldruckpegel $L_{pA} = 84,3$ dB (A)

Unsicherheit $K_{pA} = 3$ dB

Schallleistungspegel $L_{WA} = 95,3$ dB (A)

Unsicherheit $K_{WA} = 3$ dB

Gehörschutz tragen!

Schwingungsgesamtwerte (Vektorsumme dreier Richtungen) ermittelt entsprechend EN 62841:

Sägen von Spanplatte $a_{h,B} = 7,845$ m/s²

Unsicherheit $K = 1,5$ m/s²

Sägen von Holzbalken $a_{h,WB} = 9,154$ m/s²

Unsicherheit $K = 1,5$ m/s²

HINWEIS

- ▶ Die angegebenen Schwingungsgesamtwerte und die angegebenen Geräuschemissionswerte sind nach einem genormten Prüfverfahren gemessen worden und können zum Vergleich eines Elektrowerkzeugs mit einem anderen verwendet werden.
- ▶ Die angegebenen Schwingungsgesamtwerte und die angegebenen Geräuschemissionswerte können auch zu einer vorläufigen Einschätzung der Belastung verwendet werden.

WARNUNG!

- ▶ Die Schwingungs- und Geräuschemissionen können während der tatsächlichen Benutzung des Elektrowerkzeugs von den Angabewerten abweichen, abhängig von der Art und Weise, in der das Elektrowerkzeug verwendet wird, insbesondere, welche Art von Werkstück bearbeitet wird.
- ▶ Versuchen Sie die Belastung so gering wie möglich zu halten. Beispielhafte Maßnahmen zur Verringerung der Vibrationsbelastung sind das Tragen von Handschuhen beim Gebrauch des Werkzeugs und die Begrenzung der Arbeitszeit. Dabei sind alle Anteile des Betriebszyklus zu berücksichtigen (beispielsweise Zeiten, in denen das Elektrowerkzeug abgeschaltet ist, und solche, in denen es zwar eingeschaltet ist, aber ohne Belastung läuft).

Allgemeine Sicherheitshinweise für Elektrowerkzeuge

⚠️ WARNUNG!



Lesen Sie alle Sicherheitshinweise, Anweisungen, Gebildungen und technischen Daten, mit denen dieses Elektrowerkzeug versehen ist. Versäumnisse bei der Einhaltung



der nachfolgenden Anweisungen können elektrischen Schlag, Brand und/oder schwere Verletzungen verursachen.

Bewahren Sie alle Sicherheitshinweise und Anweisungen für die Zukunft auf.

Der in den Sicherheitshinweisen verwendete Begriff „Elektrowerkzeug“ bezieht sich auf netzbetriebene Elektrowerkzeuge (mit Netzleitung) und auf akkubetriebene Elektrowerkzeuge (ohne Netzleitung).

1. Arbeitsplatzsicherheit

- a) Halten Sie Ihren Arbeitsbereich sauber und gut beleuchtet. Unordnung und unbeleuchtete Arbeitsbereiche können zu Unfällen führen.
- b) Arbeiten Sie mit dem Elektrowerkzeug nicht in explosionsgefährdeter Umgebung, in der sich brennbare Flüssigkeiten, Gase oder Stäube befinden. Elektrowerkzeuge erzeugen Funken, die den Staub oder die Dämpfe entzünden können.
- c) Halten Sie Kinder und andere Personen während der Benutzung des Elektrowerkzeugs fern. Bei Ablenkung können Sie die Kontrolle über das Elektrowerkzeug verlieren.

2. Elektrische Sicherheit

- a) Der Anschlussstecker des Elektrowerkzeugs muss in die Steckdose passen. Der Stecker darf in keiner Weise verändert werden. Verwenden Sie keine Adapterstecker gemeinsam mit schutzgeerdeten Elektrowerkzeugen. Unveränderte Stecker und passende Steckdosen verringern das Risiko eines elektrischen Schlages.

- b) Vermeiden Sie Körperkontakt mit geerdeten Oberflächen wie von Rohren, Heizungen, Herden und Kühlschränken. Es besteht ein erhöhtes Risiko durch elektrischen Schlag, wenn Ihr Körper geerdet ist.
- c) Halten Sie Elektrowerkzeuge von Regen oder Nässe fern. Das Eindringen von Wasser in ein Elektrowerkzeug erhöht das Risiko eines elektrischen Schlages.
- d) Zweckenfremden Sie die Anschlussleitung nicht, um das Elektrowerkzeug zu tragen, aufzuhängen oder um den Stecker aus der Steckdose zu ziehen. Halten Sie die Anschlussleitung fern von Hitze, Öl, scharfen Kanten oder sich bewegenden Teilen. Beschädigte oder verwickelte Anschlussleitungen erhöhen das Risiko eines elektrischen Schlages.
- e) Wenn Sie mit einem Elektrowerkzeug im Freien arbeiten, verwenden Sie nur Verlängerungsleitungen, die auch für den Außenbereich zugelassen sind. Die Anwendung einer für den Außenbereich geeigneten Verlängerungsleitung verringert das Risiko eines elektrischen Schlages.
- f) Wenn der Betrieb des Elektrowerkzeugs in feuchter Umgebung nicht vermeidbar ist, verwenden Sie einen Fehlerstromschutzschalter. Der Einsatz eines Fehlerstromschutzschalters vermindert das Risiko eines elektrischen Schlages.

3. Sicherheit von Personen

- a) Seien Sie aufmerksam, achten Sie darauf, was Sie tun, und gehen Sie mit Vernunft an die Arbeit mit einem Elektrowerkzeug. Benutzen Sie kein Elektrowerkzeug, wenn Sie müde sind oder unter dem Einfluss von Drogen, Alkohol oder Medikamenten stehen. Ein Moment der Unachtsamkeit beim Gebrauch des Elektrowerkzeugs kann zu ernsthaften Verletzungen führen.
- b) Tragen Sie persönliche Schutzausrüstung und immer eine Schutzbrille. Das Tragen persönlicher Schutzausrüstung, wie Staubmaske, rutschfeste Sicherheitsschuhe, Schutzhelm oder Gehörschutz, je nach Art und Einsatz des Elektrowerkzeugs, verringert das Risiko von Verletzungen.

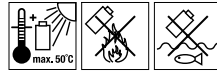
- c) **Vermeiden Sie eine unbeabsichtigte Inbetriebnahme. Vergewissern Sie sich, dass das Elektrowerkzeug ausgeschaltet ist, bevor Sie es an die Stromversorgung und/oder den Akku anschließen, es aufnehmen oder tragen.** Wenn Sie beim Tragen des Elektrowerkzeugs den Finger am Schalter haben oder das Elektrowerkzeug eingeschaltet an die Stromversorgung anschließen, kann dies zu Unfällen führen.
 - d) **Entfernen Sie Einstellwerkzeuge oder Schraubenschlüssel, bevor Sie das Elektrowerkzeug einschalten.** Ein Werkzeug oder Schlüssel, der sich in einem drehenden Teil des Elektrowerkzeugs befindet, kann zu Verletzungen führen.
 - e) **Vermeiden Sie eine abnormale Körperhaltung. Sorgen Sie für einen sicheren Stand und halten Sie jederzeit das Gleichgewicht.** Dadurch können Sie das Elektrowerkzeug in unerwarteten Situationen besser kontrollieren.
 - f) **Tragen Sie geeignete Kleidung. Tragen Sie keine weite Kleidung oder Schmuck. Halten Sie Haare und Kleidung fern von sich bewegenden Teilen.** Lockere Kleidung, Schmuck oder lange Haare können von sich bewegenden Teilen erfasst werden.
 - g) **Wenn Staubabsaug- und -auffangeinrichtungen montiert werden können, sind diese anzuschließen und richtig zu verwenden.** Die Verwendung einer Staubabsaugung kann Gefährdungen durch Staub verringern.
 - h) **Wiegen Sie sich nicht in falscher Sicherheit und setzen Sie sich nicht über die Sicherheitsregeln für Elektrowerkzeuge hinweg, auch wenn Sie nach vielfachem Gebrauch mit dem Elektrowerkzeug vertraut sind.** Achtloses Handeln kann binnen Sekundenbruchteilen zu schweren Verletzungen führen.
- 4. Verwendung und Behandlung des Elektrowerkzeugs**
- a) **Überlasten Sie das Elektrowerkzeug nicht. Verwenden Sie für Ihre Arbeit das dafür bestimmte Elektrowerkzeug.** Mit dem passenden Elektrowerkzeug arbeiten Sie besser und sicherer im angegebenen Leistungsbereich.
 - b) **Benutzen Sie kein Elektrowerkzeug, dessen Schalter defekt ist.** Ein Elektrowerkzeug, das sich nicht mehr ein- oder ausschalten lässt, ist gefährlich und muss repariert werden.
 - c) **Ziehen Sie den Stecker aus der Steckdose und/oder entfernen Sie den abnehmbaren Akku, bevor Sie Geräteeinstellungen vornehmen, Einsatzwerkzeugteile wechseln oder das Elektrowerkzeug weglegen.** Diese Vorsichtsmaßnahme verhindert den unbeabsichtigten Start des Elektrowerkzeugs.
 - d) **Bewahren Sie unbenutzte Elektrowerkzeuge außerhalb der Reichweite von Kindern auf. Lassen Sie keine Personen das Elektrowerkzeug benutzen, die mit diesem nicht vertraut sind oder diese Anweisungen nicht gelesen haben.** Elektrowerkzeuge sind gefährlich, wenn sie von unerfahrenen Personen benutzt werden.
 - e) **Pflegen Sie Elektrowerkzeuge und Einsatzwerkzeuge mit Sorgfalt. Kontrollieren Sie, ob bewegliche Teile einwandfrei funktionieren und nicht klemmen, ob Teile gebrochen oder so beschädigt sind, dass die Funktion des Elektrowerkzeugs beeinträchtigt ist. Lassen Sie beschädigte Teile vor dem Einsatz des Elektrowerkzeuges reparieren.** Viele Unfälle haben ihre Ursache in schlecht gewarteten Elektrowerkzeugen.
 - f) **Halten Sie Schneidwerkzeuge scharf und sauber.** Sorgfältig gepflegte Schneidwerkzeuge mit scharfen Schneidkanten verklemmen sich weniger und sind leichter zu führen.
 - g) **Verwenden Sie Elektrowerkzeug, Einsatzwerkzeug, Einsatzwerkzeuge usw. entsprechend diesen Anweisungen. Berücksichtigen Sie dabei die Arbeitsbedingungen und die auszuführende Tätigkeit.** Der Gebrauch von Elektrowerkzeugen für andere als die vorgesehenen Anwendungen kann zu gefährlichen Situationen führen.
 - h) **Halten Sie Griffe und Griffflächen trocken, sauber und frei von Öl und Fett.** Rutschige Griffe und Griffflächen erlauben keine sichere Bedienung und Kontrolle des Elektrowerkzeugs in unvorhergesehenen Situationen.

5. Verwendung und Behandlung des Akkuwerkzeugs

- a) Laden Sie die Akkus nur mit Ladegeräten auf, die vom Hersteller empfohlen werden. Durch ein Ladegerät, das für eine bestimmte Art von Akkus geeignet ist, besteht Brandgefahr, wenn es mit anderen Akkus verwendet wird.
- b) Verwenden Sie nur die dafür vorgesehenen Akkus in den Elektrowerkzeugen. Der Gebrauch von anderen Akkus kann zu Verletzungen und Brandgefahr führen.
- c) Halten Sie den nicht benutzten Akku fern von Büroklammern, Münzen, Schlüsseln, Nägeln, Schrauben oder anderen kleinen Metallgegenständen, die eine Überbrückung der Kontakte verursachen könnten. Ein Kurzschluss zwischen den Akkukontakten kann Verbrennungen oder Feuer zur Folge haben.
- d) Bei falscher Anwendung kann Flüssigkeit aus dem Akku austreten. Vermeiden Sie den Kontakt damit. Bei zufälligem Kontakt mit Wasser abspülen. Wenn die Flüssigkeit in die Augen kommt, nehmen Sie zusätzlich ärztliche Hilfe in Anspruch. Austretende Akkufflüssigkeit kann zu Hautreizungen oder Verbrennungen führen.
- e) Benutzen Sie keinen beschädigten oder veränderten Akku. Beschädigte oder veränderte Akkus können sich unvorhersehbar verhalten und zu Feuer, Explosion oder Verletzungsgefahr führen.
- f) Setzen Sie einen Akku keinem Feuer oder zu hohen Temperaturen aus. Feuer oder Temperaturen über 130 °C (265 °F) können eine Explosion hervorrufen.
- g) Befolgen Sie alle Anweisungen zum Laden und laden Sie den Akku oder das Akkuwerkzeug niemals außerhalb des in der Betriebsanleitung angegebenen Temperaturbereichs. Falsches Laden oder Laden außerhalb des zugelassenen Temperaturbereichs kann den Akku zerstören und die Brandgefahr erhöhen.



VORSICHT! EXPLOSIONSGEFAHR!
Laden Sie nicht aufladbare Batterien niemals auf.



Schützen Sie den Akku vor Hitze, z. B. auch vor dauernder Sonneneinstrahlung, Feuer, Wasser und Feuchtigkeit.
Es besteht Explosionsgefahr.

6. Service

- a) Lassen Sie Ihr Elektrowerkzeug nur von qualifiziertem Fachpersonal und nur mit Original-Ersatzteilen reparieren. Damit wird sichergestellt, dass die Sicherheit des Elektrowerkzeugs erhalten bleibt.
- b) Warten Sie niemals beschädigte Akkus. Sämtliche Wartung von Akkus sollte nur durch den Hersteller oder bevollmächtigte Kundendienststellen erfolgen.

Gerätespezifische Sicherheitshinweise für Säbelsägen

- Halten Sie das Elektrowerkzeug an den isolierten Griffflächen, wenn Sie Arbeiten ausführen, bei denen das Einsatzwerkzeug verborgene Stromleitungen treffen kann. Der Kontakt mit einer spannungsführenden Leitung kann auch metallene Geräteteile unter Spannung setzen und zu einem elektrischen Schlag führen.
- Tragen Sie eine Staubschutzmaske!

WARNUNG!

- Verwenden Sie kein Zubehör welches nicht von PARKSIDE empfohlen wurde. Dies kann zu elektrischem Schlag und Feuer führen.

Sicherheitshinweise für Ladegeräte

- Dieses Gerät kann von Kindern ab 8 Jahren und darüber sowie von Personen mit verringerten physischen, sensorischen oder mentalen Fähigkeiten oder Mangel an Erfahrung und Wissen benutzt werden, wenn sie beaufsichtigt oder bezüglich des sicheren Gebrauchs des Gerätes unterwiesen wurden und die daraus resultierenden Gefahren verstehen. Kinder dürfen nicht mit dem Gerät spielen. Reinigung und Benutzer-Wartung dürfen nicht von Kindern ohne Beaufsichtigung durchgeführt werden.



Das Ladegerät ist nur für den Betrieb im Innenbereich geeignet.

- Wenn die Netzanschlussleitung dieses Gerätes beschädigt wird, muss sie durch den Hersteller oder seinen Kundendienst oder eine ähnlich qualifizierte Person ersetzt werden, um Gefährdungen zu vermeiden.

ACHTUNG!

- ▶ Dieses Ladegerät kann nur die folgenden Batterien laden: PAPK 12 A1/PAPK 12 A2/PAPK 12 A3/PAPK 12 B1.
- ▶ Eine aktuelle Liste der Akkukompatibilität finden Sie unter www.lidl.de/Akku.

Arbeitshinweise zum Sägen

- Prüfen Sie das zu bearbeitende Material auf Fremdkörper wie Nägel, Schrauben etc. und entfernen Sie diese.
- Schalten Sie das Gerät sofort aus, wenn das Sägeblatt verklemmt. Spreizen Sie den bereits gesägten Spalt mit einem geeigneten Werkzeug und ziehen Sie das Gerät heraus.
- Sägen Sie das Material mit gleichmäßigem Vorschub.

Originalzubehör/-zusatzgeräte

- Benutzen Sie nur Zubehör und Zusatzgeräte, die in der Gebrauchsanweisung angegeben sind. Der Gebrauch anderer als in der Bedienungsanleitung empfohlener Einsatzwerkzeuge oder anderen Zubehörs kann eine Verletzungsgefahr für Sie bedeuten.

Informationen zu Sägeblättern

Sie können jedes Sägeblatt verwenden, vorausgesetzt es ist mit der passenden Aufnahme 1/2" (12,7 mm) Universalschaft versehen. Es sind für jeden Einsatzzweck Ihres Gerätes optimierte Sägeblätter in verschiedenen Längen im Handel erhältlich.

HINWEIS

- ▶ TPI = teeth per inch = die Anzahl der Zähne je 2,54 cm

Vor der Inbetriebnahme

Akku-Pack laden

⚠ VORSICHT!

- ▶ Ziehen Sie immer den Netzstecker, bevor Sie den Akku-Pack **3** aus dem Akku-Schnell-Ladegerät **12** nehmen bzw. einsetzen.

HINWEIS

- ▶ Laden Sie den Akku-Pack nie, wenn die Umgebungstemperatur unterhalb 10 °C oder oberhalb 40 °C liegt. Soll ein Lithium-Ionen-Akku längere Zeit gelagert werden, muss regelmäßig der Ladezustand kontrolliert werden. Der optimale Ladezustand liegt zwischen 50 % und 80 %. Das Lagerungsklima soll kühl und trocken sein in einer Umgebungstemperatur zwischen 0 °C und 50 °C.
- ◆ Stecken Sie den Akku-Pack **3** in das Schnell-Ladegerät **12**.
- ◆ Stecken Sie den Netzstecker in die Steckdose. Die Kontroll-LED **13** leuchtet rot.
- ◆ Die grüne Kontroll-LED **13** signalisiert Ihnen, dass der Ladevorgang abgeschlossen und der Akku-Pack einsatzbereit ist.
- ◆ Schieben Sie den Akku-Pack **3** in das Gerät ein.
- ◆ Schalten Sie das Schnell-Ladegerät **12** zwischen aufeinanderfolgenden Ladevorgängen für mindestens 15 Minuten ab. Ziehen Sie dazu den Netzstecker.

Akku-Pack ins Gerät einsetzen/entnehmen

Akku-Pack einsetzen

- ◆ Lassen Sie den Akku-Pack **3** in den Handgriff **2** einrasten.

Akku-Pack entnehmen

- ◆ Drücken Sie die beiden Tasten zur Entriegelung **4** und entnehmen Sie den Akku-Pack **3**.

Akkuzustand prüfen

- ◆ Drücken Sie zum Prüfen des Akkuzustands die Einschaltsperrle **1** und den EIN-/AUS-Schalter **5**. Der Zustand bzw. die Restleistung wird in der Akkuzustandsanzeige **15** wie folgt angezeigt:
ROT/ORANGE/GRÜN = maximale Ladung/Leistung
ROT/ORANGE = mittlere Ladung/Leistung
ROT = schwache Ladung - Akku aufladen

Haltebügel einsetzen/entnehmen


HINWEIS

- ▶ Das Einsetzen/Entnehmen des Haltebügels **11** ist bei montiertem Sägeblatt **6** nicht möglich.

Haltebügel einsetzen (siehe Abb. A-C)

- ◆ Schieben Sie den Haltebügel **11** über die Führungen der Fußplatte **7** in das Gerät.

Haltebügel entnehmen

- ◆ Drücken Sie die Entriegelung  **10** und ziehen Sie den Haltebügel **11** nach vorne aus der Führung.

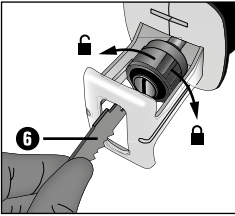
Sägeblatt montieren/wechseln

Tragen Sie beim Einsetzen/Wechsel des Sägeblattes **6** Schutzhandschuhe.

- ◆ Drehen Sie das Schnellspannfutter **8** vollständig in Pfeilrichtung und halten Sie es gedreht.
- ◆ Drücken Sie das benötigte Sägeblatt **6** bis zum Anschlag in das Schnellspannfutter **8**.

⚠ ACHTUNG!

- ▶ Die Zähne des Sägeblatts **6** müssen dabei nach unten zeigen!



- ◆ Lassen Sie das Schnellspannfutter **8** los, es muss in seine Ausgangsposition zurückkehren. Das Sägeblatt **6** ist nun verriegelt.

Inbetriebnahme

Ein-/ausschalten

Einschalten

- ◆ Drücken Sie die Einschaltsperrleiste **1**.
- ◆ Drücken Sie den EIN-/AUS-Schalter **5**.

Ausschalten

- ◆ Lassen Sie den EIN-/AUS-Schalter **5** los.

Sägemethoden

A) Arbeiten ohne Haltebügel (siehe Abb. D)

- Bei größeren Astdurchmessern oder Sägen von Holz, Kunststoff und Baustoffen arbeiten Sie OHNE Haltebügel **11**. Das Sägestück muss an der Fußplatte anliegen. Bewegen Sie das Gerät bei runden Werkstücken im Wiegeschnitt.

A1) Bündig sägen

- Mit flexiblen Sägeblättern, entsprechende Länge vorausgesetzt, können Sie hervorstehende Werkstücke wie z. B. Rohre unmittelbar an der Wand absägen.
1. Legen Sie das Sägeblatt **6** direkt an der Wand an.
 2. Biegen Sie es durch seitlichen Druck auf das Gerät so, dass die Fußplatte **7** seitlich an der Wand anliegt.
 3. Schalten Sie das Gerät ein und sägen Sie das Werkstück mit konstantem Druck ab.

A2) Tauchsägen (siehe Abb. E)

⚠ VORSICHT! RÜCKSCHLAGGEFAHR!

- ▶ Tauchschnitte dürfen nur in weichen Werkstoffen (Holz o. Ä.) durchgeführt werden.

1. Setzen Sie das Gerät mit der Unterkante der Fußplatte **7** auf das Werkstück auf. Schalten Sie das Gerät ein.
2. Kippen Sie das Gerät nach vorn und tauchen mit dem Sägeblatt **6** in das Werkstück ein.
3. Stellen Sie das Gerät senkrecht und sägen Sie weiter entlang der Schnittlinie.

B) Arbeiten mit Haltebügel (siehe Abb. F)

- ◆ Bewegen Sie das Gerät mit leichtem Druck nach unten.

Wartung und Reinigung



WARNUNG! VERLETZUNGSGEFAHR!
Schalten Sie vor allen Arbeiten am Gerät das Gerät aus und entnehmen Sie den Akku.

- Entfernen Sie vor allen Arbeiten am Gerät stets das Sägeblatt
- Halten Sie das Gerät und die Lüftungsschlitze stets sauber. Bei verstopften Lüftungsschlitzen droht eine Überhitzung und/oder eine Beschädigung des Gerätes.
- Reinigen Sie das Gerät nach Abschluss der Arbeit.
- Es dürfen keine Flüssigkeiten in das Innere des Gerätes gelangen. Verwenden Sie zum Reinigen des Gehäuses ein Tuch. Verwenden Sie niemals Benzin, Lösungsmittel oder Reiniger, die Kunststoff angreifen.
- Reinigen Sie die Sägeblattaufnahme ggf. mit einem Pinsel oder durch Ausblasen mit Druckluft.
- Soll ein Lithium-Ionen-Akku längere Zeit gelagert werden, muss regelmäßig der Ladezustand kontrolliert werden. Der optimale Ladezustand liegt zwischen 50 und 80 %. Das optimale Lagerungsklima ist kühl und trocken.

Garantie der Kompernaß Handels GmbH

Sehr geehrte Kundin, sehr geehrter Kunde,
Sie erhalten auf dieses Gerät 3 Jahre Garantie ab Kaufdatum. Im Falle von Mängeln dieses Produkts stehen Ihnen gegen den Verkäufer des Produkts gesetzliche Rechte zu. Diese gesetzlichen Rechte werden durch unsere im Folgenden dargestellte Garantie nicht eingeschränkt.

Garantiebedingungen

Die Garantiefrist beginnt mit dem Kaufdatum. Bitte bewahren Sie den Kassenbon gut auf. Dieser wird als Nachweis für den Kauf benötigt.

Tritt innerhalb von drei Jahren ab dem Kaufdatum dieses Produkts ein Material- oder Fabrikationsfehler auf, wird das Produkt von uns – nach unserer Wahl – für Sie kostenlos repariert, ersetzt oder der Kaufpreis erstattet. Diese Garantieleistung setzt voraus, dass innerhalb der Dreijahresfrist das defekte Gerät und der Kaufbeleg (Kassenbon) vorgelegt und schriftlich kurz beschrieben wird, worin der Mangel besteht und wann er aufgetreten ist.

Wenn der Defekt von unserer Garantie gedeckt ist, erhalten Sie das reparierte oder ein neues Produkt zurück. Mit Reparatur oder Austausch des Produkts beginnt kein neuer Garantiezeitraum.

Sie erhalten auf die Akku-Packs der X12V und X20V Team Serie 3 Jahre Garantie ab Kaufdatum.

Garantiezeit und gesetzliche Mängelansprüche

Die Garantiezeit wird durch die Gewährleistung nicht verlängert. Dies gilt auch für ersetzte und reparierte Teile. Eventuell schon beim Kauf vorhandene Schäden und Mängel müssen sofort nach dem Auspacken gemeldet werden. Nach Ablauf der Garantiezeit anfallende Reparaturen sind kostenpflichtig.

Garantieumfang

Das Gerät wurde nach strengen Qualitätsrichtlinien sorgfältig produziert und vor Auslieferung gewissenhaft geprüft.

Die Garantieleistung gilt für Material- oder Fabrikationsfehler. Diese Garantie erstreckt sich nicht auf Produktteile, die normaler Abnutzung ausgesetzt sind und daher als Verschleißteile angesehen werden können oder für Beschädigungen an zerbrechlichen Teilen, z. B. Schalter oder Teile, die aus Glas gefertigt sind.

Diese Garantie verfällt, wenn das Produkt beschädigt, nicht sachgemäß benutzt oder gewartet wurde. Für eine sachgemäße Benutzung des Produkts sind alle in der Bedienungsanleitung aufgeführten Anweisungen genau einzuhalten. Verwendungszwecke und Handlungen, von denen in der Bedienungsanleitung abgeraten oder vor denen gewarnt wird, sind unbedingt zu vermeiden.

Das Produkt ist nur für den privaten und nicht für den gewerblichen Gebrauch bestimmt. Bei missbräuchlicher und unsachgemäßer Behandlung, Gewaltanwendung und bei Eingriffen, die nicht von unserer autorisierten Serviceniederlassung vorgenommen wurden, erlischt die Garantie.

Garantiezeit gilt nicht bei

- normaler Abnutzung der Akkukapazität
- gewerblichen Gebrauch des Produktes
- Beschädigung oder Veränderung des Produktes durch den Kunden
- Missachtung der Sicherheits- und Wartungsvorschriften, Bedienungsfehler
- Schäden durch Elementarereignisse

Abwicklung im Garantiefall

Um eine schnelle Bearbeitung Ihres Anliegen zu gewährleisten, folgen Sie bitte den folgenden Hinweisen:

- Bitte halten Sie für alle Anfragen den Kassenbon und die Artikelnummer (z. B. IAN 123456) als Nachweis für den Kauf bereit.
- Die Artikelnummer entnehmen Sie bitte dem Typenschild am Produkt, einer Gravur am Produkt, dem Titelblatt der Bedienungsanleitung (unten links) oder dem Aufkleber auf der Rück- oder Unterseite des Produktes.
- Sollten Funktionsfehler oder sonstige Mängel auftreten, kontaktieren Sie zunächst die nachfolgend benannte Serviceabteilung **telefonisch** oder per **E-Mail**.
- Ein als defekt erfasstes Produkt können Sie dann unter Beifügung des Kaufbelegs (Kassenbon) und der Angabe, worin der Mangel besteht und wann er aufgetreten ist, für Sie portofrei an die Ihnen mitgeteilte Serviceanschrift übersenden.



Auf www.lidl-service.com können Sie diese und viele weitere Handbücher, Produktvideos und Installationssoftware herunterladen.

Mit diesem QR-Code gelangen Sie direkt auf die Lidl-Service-Seite (www.lidl-service.com) und können mittels der Eingabe der Artikelnummer (IAN) 364106_2010 Ihre Bedienungsanleitung öffnen.

WARNUNG!

- ▶ Lassen Sie Ihre Geräte von der Servicestelle oder einer Elektrofachkraft und nur mit Original-Ersatzteilen reparieren. Damit wird sichergestellt, dass die Sicherheit des Gerätes erhalten bleibt.
- ▶ Lassen Sie den Austausch des Steckers oder der Netzleitung immer vom Hersteller des Gerätes oder seinem Kundendienst ausführen. Damit wird sichergestellt, dass die Sicherheit des Gerätes erhalten bleibt.

HINWEIS

- ▶ Nicht aufgeführte Ersatzteile (wie z. B. Akku, Schalter oder Haltebügel) können Sie über unsere Callcenter bestellen.

Service

- DE Service Deutschland**
Tel.: 0800 5435 111 (Kostenfrei aus dem dt. Festnetz/Mobilfunknetz)
E-Mail: kompernass@lidl.de
- AT Service Österreich**
Tel.: 0820 201 222 (0,15 EUR/Min.)
E-Mail: kompernass@lidl.at
- CH Service Schweiz**
Tel.: 0842 665566 (0,08 CHF/Min., Mobilfunk max. 0,40 CHF/Min.)
E-Mail: kompernass@lidl.ch

IAN 364106_2010

Importeur

Bitte beachten Sie, dass die folgende Anschrift keine Serviceanschrift ist. Kontaktieren Sie zunächst die benannte Servicestelle.

KOMPERNASS HANDELS GMBH
BURGSTRASSE 21
44867 BOCHUM
DEUTSCHLAND
www.kompernass.com

Entsorgung



Die Verpackung besteht aus umweltfreundlichen Materialien, die Sie über die örtlichen Recyclingstellen entsorgen können.



Werfen Sie Elektrowerkzeuge nicht in den Hausmüll!

Gemäß Europäischer Richtlinie 2012/19/EU müssen verbrauchte Elektrowerkzeuge getrennt gesammelt und einer umweltgerechten Wiederverwertung zugeführt werden.



Werfen Sie Akkus nicht in den Hausmüll!

Die Akkus müssen vor der Entsorgung vom Gerät entnommen werden.

Defekte oder verbrauchte Akkus müssen gemäß Richtlinie 2006/66/EG recycelt werden. Geben Sie Akku-Pack und/ oder das Gerät über die angebotenen Sammeleinrichtungen zurück.

Über Entsorgungsmöglichkeiten für ausgediente Elektrowerkzeuge/Akku-Packs informieren Sie sich bitte bei Ihrer Gemeinde- oder Stadtverwaltung.



Entsorgen Sie die Verpackung umweltgerecht. Beachten Sie die Kennzeichnung auf den verschiedenen Verpackungsmaterialien und trennen Sie diese gegebenenfalls gesondert. Die Verpackungsmaterialien sind gekennzeichnet mit Abkürzungen (a) und Ziffern (b) mit folgender Bedeutung: 1-7: Kunststoffe, 20-22: Papier und Pappe, 80-98: Verbundstoffe.



Möglichkeiten zur Entsorgung des ausgedienten Produkts erfahren Sie bei Ihrer Gemeinde- oder Stadtverwaltung.

Original-Konformitätserklärung

Wir, KOMPERNASS HANDELS GMBH, Dokumentenverantwortlicher: Herr Semi Uguzlu, BURGSTR. 21, 44867 BOCHUM, DEUTSCHLAND, erklären hiermit, dass dieses Produkt mit den folgenden Normen, normativen Dokumenten und EG-Richtlinien übereinstimmt:

Maschinenrichtlinie

(2006/42/EG)

EG-Niederspannungsrichtlinie

(2014/35/EU, nur Ladegerät)

Elektromagnetische Verträglichkeit

(2014/30/EU)

RoHS-Richtlinie

(2011/65/EU)*

* Die alleinige Verantwortung für die Ausstellung dieser Konformitätserklärung trägt der Hersteller. Der oben beschriebene Gegenstand der Erklärung erfüllt die Vorschriften der Richtlinie 2011/65/EU des Europäischen Parlaments und des Rates vom 8. Juni 2011 zur Beschränkung der Verwendung bestimmter gefährlicher Stoffe in Elektro- und Elektronikgeräten.

Angewandte harmonisierte Normen

EN 62841-1:2015

EN 62841-2-11:2016

EN 62233:2008

EN 60335-1:2012/A2:2019

EN 60335-2-29:2004/A11: 2018

EN 55014-1:2017

EN 55014-2:2015

EN 61000-3-2:2014

EN 61000-3-3:2013

EN IEC 63000:2018

Typ/Gerätebezeichnung: 12-V-Akku-Astsäge PAAS 12 A2

Herstellungsjahr: 12–2020

Seriennummer: IAN 364106_2010

Bochum, 13.01.2021



Semi Uguzlu

- Qualitätsmanager -

Technische Änderungen im Sinne der Weiterentwicklung sind vorbehalten.

Ersatz-Akku-Bestellung



Wenn Sie einen Ersatz-Akku für Ihr Gerät bestellen möchten, so können Sie dies entweder bequem im Internet unter www.kompennass.com oder telefonisch abwickeln.

Dieser Artikel kann aufgrund begrenzter Vorratsmenge nach kurzer Zeit ausverkauft sein.

HINWEIS

- ▶ Die Bestellung von Ersatzteilen kann in einigen Ländern nicht online vorgenommen werden. Kontaktieren Sie in diesem Fall bitte die Service-Hotline.

Telefonische Bestellung

DE Service Deutschland Tel.: 0800 5435 111 (Kostenfrei aus dem dt. Festnetz/Mobilfunknetz)

AT Service Österreich Tel.: 0820 201 222 (0,15 EUR/Min.)

CH Service Schweiz Tel.: 0842 665566 (0,08 CHF/Min., Mobilfunk max. 0,40 CHF/Min.)

Um eine schnelle Bearbeitung Ihrer Bestellung zu gewährleisten, halten Sie bitte für alle Anfragen die Artikelnummer (z. B. IAN 364106) des Gerätes bereit. Die Artikelnummer entnehmen Sie bitte dem Typenschild oder dem Titelblatt dieser Anleitung.

KOMPERNASS HANDELS GMBH

BURGSTRASSE 21

44867 BOCHUM

GERMANY

www.kompennass.com

Last Information Update · Έκδοση των πληροφοριών · Stand der Informationen:
02/2021 · Ident.-No.: PAAS12A2-012021-1

IAN 364106_2010