



FUEL PRESSURE GAUGE SET

MODEL NO: **VS550**

Thank you for purchasing a Sealey product. Manufactured to a high standard, this product will, if used according to these instructions, and properly maintained, give you years of trouble free performance.

IMPORTANT: PLEASE READ THESE INSTRUCTIONS CAREFULLY. NOTE THE SAFE OPERATIONAL REQUIREMENTS, WARNINGS & CAUTIONS. USE THE PRODUCT CORRECTLY AND WITH CARE FOR THE PURPOSE FOR WHICH IT IS INTENDED. FAILURE TO DO SO MAY CAUSE DAMAGE AND/OR PERSONAL INJURY AND WILL INVALIDATE THE WARRANTY. KEEP THESE INSTRUCTIONS SAFE FOR FUTURE USE.



Refer to instructions



Wear eye protection



Wear protective gloves

1. SAFETY

- WARNING!** Ensure Health & Safety, local authority and general workshop practice regulations are adhered to when using this equipment.
- ✓ Read instructions thoroughly to ensure safe and effective use.
IMPORTANT! Read instructions in conjunction with vehicle or equipment manufacturer's workshop manual.
- ✓ Maintain the apparatus in good condition (use an authorised service agent). Before each use check condition of each component. If any component is damaged, replace immediately. Use genuine parts only. Unauthorised parts may not function correctly and will invalidate the warranty.
- ✓ Use in a suitable work area. Keep area free from unrelated materials and ensure that there is adequate lighting.
- ✓ Account for all tools and parts being used and **DO NOT** leave them in or near the engine.
- ✓ Keep tester parts clean and dry and store each component part in its appropriate location in the carry case.
IMPORTANT: Always refer to the vehicle manufacturer's service instructions, or proprietary manual, to establish the current procedure and data. These instructions are provided as a guide only.
- WARNING!** Ensure the gauge is reading zero (to indicate no pressure), before disconnecting.
- WARNING!** Always wear approved eye (or face) and hand protection when pressure testing.
- WARNING!** Ensure that any spilled fuel is cleaned up immediately.
- ✓ Keep children and unauthorised persons away from the working area.
- ✗ **DO NOT** operate the pressure tester when you are tired or under the influence of alcohol, drugs or intoxicating medication.
- ✗ **DO NOT** clean the equipment with solvents or other harsh chemicals.
- ✗ **DO NOT** use the pressure tester for any purpose other than that for which it is designed.
- ✓ When not in use return parts to the case, and store it in a safe, dry, childproof location.

2. INTRODUCTION

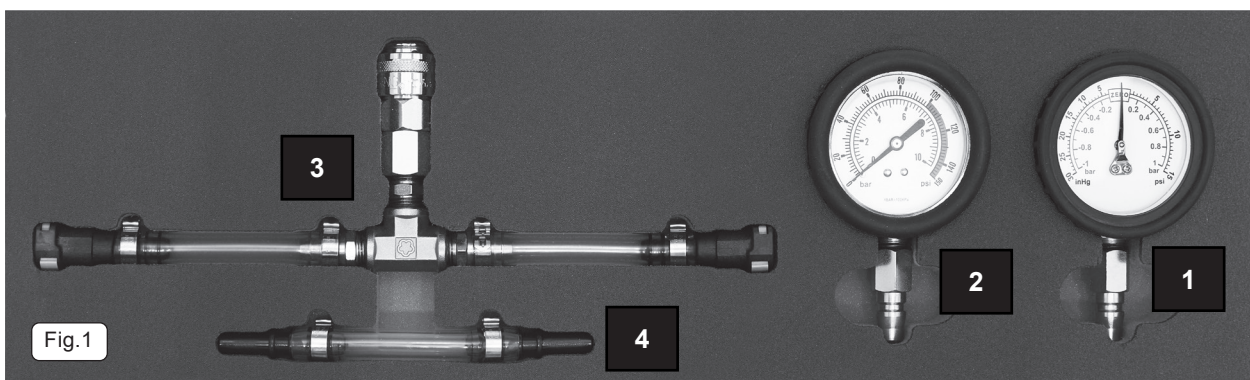
Comprising of two gauges for positive/negative and main pressure testing on low-pressure delivery fuel circuit found on common rail systems. Compatible with 9.98mm button type connection system. Suitable for use with Model No's VS555 and VS552 for those systems not supported by 9.98mm button type connections. Can be connected in situ with fuel line for real time running pressure. Quickly identifies fuel related problems.

3. SPECIFICATION

Model no.: VS550

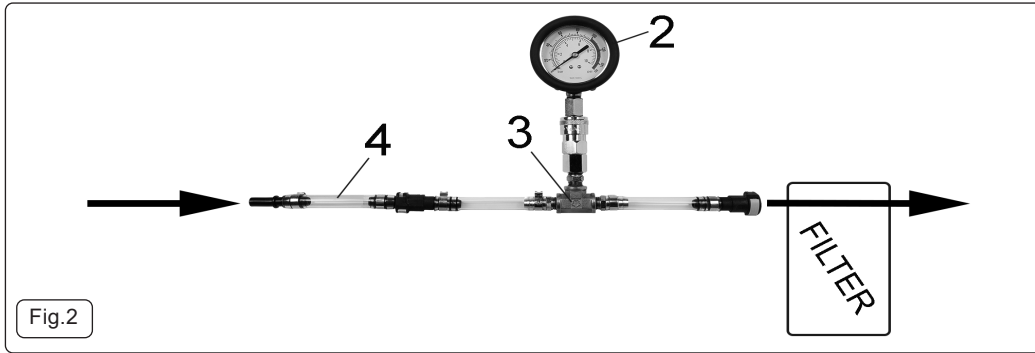
4. CONTENTS

Item	Description	Part No.
1	Vacuum pressure (-1 to +1 bar)	VS550.01
2	Gauge (0 to 17 bar)	VS550.02
3	Manifold with 9.98mm Quick connectors	VS550.03
4	Male to Male Conversion Connector (9.98mm)	VS550.04



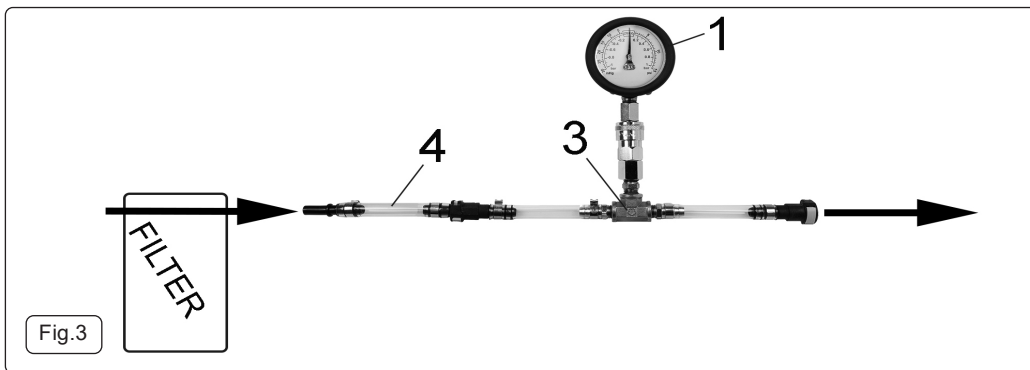
5. OPERATION

- **WARNING! DO NOT** use on the high pressure fuel circuit found on common rail systems.
- 5.1. **TO MEASURE FUEL PRESSURE BEFORE THE FUEL FILTER (fig.2, fig.1)**



NOTE: Ensure that the ignition is OFF before commencing.

- 5.1.1. Assemble the items as shown in fig.2 and connect to fuel inlet side of filter.
 - 5.1.2. Switch on ignition for lift pump to pressurise the system.
 - 5.1.3. Start the engine and check the arrangement for leaks. If any leaks are evident, switch off engine immediately. Dry any spillages and re-assemble ensuring no leakages.
 - 5.1.4. Run the engine until the pressure gauge is reading a steady pressure. Check the pipes for flowing, clean and bubble free fuel.
 - 5.1.5. Rev the engine to ensure that pressure is maintained through the rev range.
 - 5.1.6. Switch off the engine and **DO NOT** disconnect the arrangement until the fuel pressure has dropped.
- 5.2. **TO MEASURE FUEL PRESSURE AFTER THE FUEL FILTER (fig.3, fig.1)**



NOTE: Ensure that the ignition is OFF before commencing.

- 5.2.1. Assemble the items as shown in fig.3 and connect to fuel outlet side of filter
- 5.2.2. Switch on ignition for lift pump to pressurise the system.
- 5.2.3. Start the engine and check the arrangement for leaks. If any leaks are evident, switch off engine immediately. Dry any spillages and re-assemble ensuring no leakages.
- 5.2.4. Run the engine until the pressure gauge is reading a steady pressure. Check the pipes for flowing, clean and bubble free fuel.
- 5.2.5. Rev the engine to ensure that pressure is maintained through the rev range.
- 5.2.6. Switch off the engine and **DO NOT** disconnect the arrangement until the fuel pressure has dropped.

NOTE: When testing for positive/negative pressure, set up equipment as per Fig.3 and replace the gauge (item 2) with gauge (item 1).

- 5.3. Always keep the components clean and free of oil and grease. Clean them regularly with a non-aggressive cleaner, ensuring they are dry before storage.
- **WARNING! DO NOT** disconnect the unit from the fuel line until the pressure gauge reads zero
- 5.4. In order to preserve integrity, **DO NOT** expose the components to sunlight or heat source over an extended period of time.
- 5.5. Store in a clean dry environment.

Parts support is available for this product. Please email sales@sealey.co.uk or telephone 01284 757500



ENVIRONMENT PROTECTION

Recycle unwanted materials instead of disposing of them as waste. All tools, accessories and packaging should be sorted, taken to a recycling centre and disposed of in a manner which is compatible with the environment. When the product becomes completely unserviceable and requires disposal, drain any fluids (if applicable) into approved containers and dispose of the product and fluids according to local regulations.

Note: It is our policy to continually improve products and as such we reserve the right to alter data, specifications and component parts without prior notice.

Important: No Liability is accepted for incorrect use of this product.

Warranty: Guarantee is 12 months from purchase date, proof of which is required for any claim.

Sealey Group, Kempson Way, Suffolk Business Park, Bury St Edmunds, Suffolk. IP32 7AR



01284 757500



01284 703534



sales@sealey.co.uk



www.sealey.co.uk