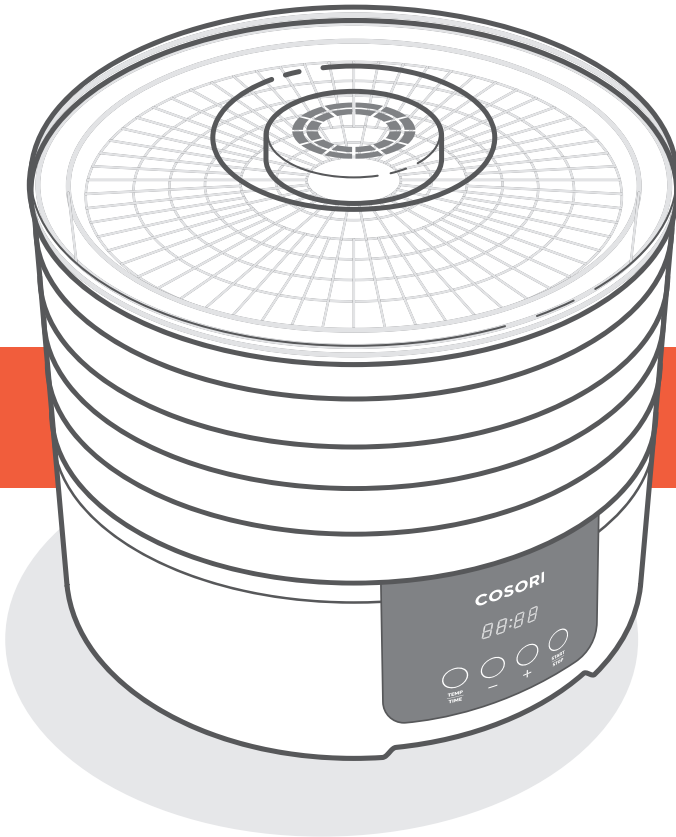


COSORI

User Manual

Original Food Dehydrator

Model No.: CO165-FD



Questions or Concerns?

Mon - Fri 9:00 AM - 5:00 PM PT

support@cosori.com | (888) 402-1684



Thank you for
your purchase!



(We hope you love our new food dehydrator as much as we do.)



join

the Cosori Cooks Community on Facebook
facebook.com/groups/cosoricooks



enjoy

weekly, featured recipes
Penny Plates | Quick Cuisines | Easy One-Pot



explore

our recipe gallery
www.cosori.com/recipes



CONTACT OUR CHEFS

Our helpful, in-house chefs are ready to assist you with any questions you might have!

Email: recipes@cosori.com

Toll-Free: (888) 402-1684

M-F: 9:00am - 5:00pm PT

On behalf of all of us at Cosori,

Happy cooking!

Table of Contents

Package Contents	3
Specifications	3
Important Safeguards	5
Getting to Know Your Dehydrator	6
· Food Dehydrator Diagram	6
Display	7
Before First Use	7
Using Your Dehydrator	8
· Operation	8
· Tray Liners	9
· Overheat Protection	9
· Tips	9
Care & Maintenance	10
Troubleshooting	10
Warranty Information	11
Customer Support	12

Package Contents

1 x Original Food Dehydrator
5 x Trays
1 x Fruit Roll Sheet
1 x Mesh Screen
1 x Recipe Book
1 x User Manual
1 x Warranty Card

Specifications

Power Supply	AC 120V, 60Hz
Rated Power	450W
Temperature Range	95°F–165°F (35°C–73°C)
Product Size	13.8 x 13.8 x 11.8 in (350 x 350 x 300 mm)

IMPORTANT SAFEGUARDS

Always follow basic safety precautions when using your dehydrator.
Read all instructions.

General Safety

- **Do not** touch hot surfaces.
- **Do not** immerse cord, plug, or base in water or other liquid.
- Closely supervise children near the dehydrator.
- Unplug when not in use, and before cleaning. Allow to cool before putting on or taking off parts.
- **Do not** use dehydrator if it is damaged, not working, or if the cord or plug is damaged. Contact **Customer Support** (page 12).
- Using third-party parts or accessories may cause injuries.
- **Do not** use outdoors.
- **Do not** place on a stove, near gas or electric burners, or in a heated oven.
- Be extremely cautious when moving the dehydrator if it contains hot liquids, and when removing trays if they contain hot liquids.
- **Do not** clean base with metal scouring pads. Metal fragments can break off the pad and touch electrical parts, creating a risk of electric shock.
- **Do not** run the dehydrator for more than 48 hours at a time. After 48 hours, unplug and allow to cool for 2 hours before using again.
- **Do not** allow liquids to drip into the vents in the base of the dehydrator.
- Not for commercial use. Household use only.
- **Only** use the dehydrator as directed in this manual.

Plug and Cord

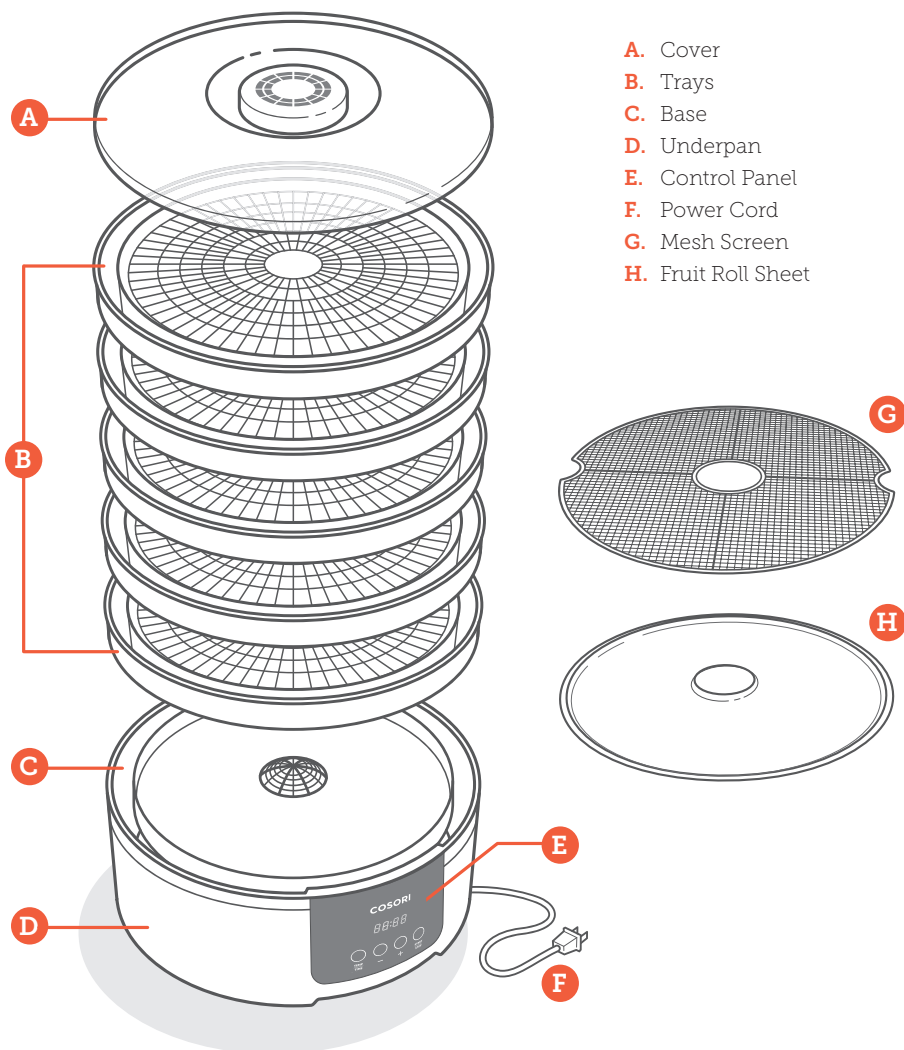
- **Do not** let cord (or any extension cord) hang over the edge of a table or counter, or touch hot surfaces.
- This dehydrator has a polarized plug (one prong is wider than the other), which fits into a polarized outlet only one way. If the plug does not fit, reverse the plug. If it still does not fit, **do not** use the plug in that outlet. **Do not** alter the plug in any way.
- This dehydrator uses a short power-supply cord to reduce the risk of entangling or tripping. Use extension cords with care.
- The marked electrical rating of an extension cord should be at least as high as the rating of the dehydrator (page 3).

SAVE THESE INSTRUCTIONS

GETTING TO KNOW YOUR DEHYDRATOR

Your Cosori dehydrator features an automatic fan, which circulates warm air to evenly dry food. Dried foods are a great treat to snack on, because they keep almost all their nutritional value and flavor. Dehydrating is the perfect way to preserve snacks, fruit, vegetables, bread, and even flowers.

Food Dehydrator Diagram



DISPLAY



Controls

- Press **START/STOP** to start or stop the dehydrator.
- Press **TEMP/TIME** once and use the **+** and **-** buttons to change the temperature.
- Press **TEMP/TIME** a second time and use the **+** and **-** buttons to change the time.

BEFORE FIRST USE

Setting Up

1. Remove all packaging from your dehydrator and its accessories. Make sure all package contents are included (see page 3).
2. Clean the base and trays with a moistened cloth.
NOTE: Do not wash the base or trays in a dishwasher. **Do not** immerse the base in water.
3. Place the dehydrator base on a solid, level surface. Plug in. Stack the drying trays on top of the base.
4. Run the dehydrator for 30 minutes at any temperature, without adding any food. Make sure that the room has sufficient ventilation, in case the dehydrator produces any smoke or smells. This is normal.
5. Rinse the trays in water. Dry all parts.

NOTE: You only need to do this the first time you use the dehydrator.

USING YOUR DEHYDRATOR

Operation

NOTE: Use the dehydrator in a warm, dry room. Depending on humidity in the air and moisture in the food, dehydration time may vary.

1. Place food on trays. The trays can hold up to 1.1 lb (0.5 kg) of food. Place food on the bottom tray first, and use the top tray last. Be careful not to overload the trays.
2. Plug in. The dehydrator will beep, and the display will show "88:88". The dehydrator will switch to standby mode after 3 seconds, and the display will show "--:--".

3. Press **TEMP/TIME** to choose temperature. The temperature will blink on the display, and the **+** and **-** buttons will light up. Use **+** or **-** to change the temperature (95°F–165°F).

NOTE: Temperature changes in 1°F increments. Press and hold **+** or **-** to change the temperature rapidly.

4. Press **TEMP/TIME** again to choose time. The time will blink on the display, and the **+** and **-** buttons will light up. Use **+** or **-** to change the time (0:30–48:00).

NOTE: Time changes in 30 minute increments. Press and hold **+** or **-** to change the time rapidly.

5. Press **START/STOP** to start dehydrating. The dehydrator will start heating. **START/STOP** will stay lit, and the other buttons will turn off. Temperature and time will cycle on the display every 3 seconds.

NOTE: If you press **START/STOP** again to stop dehydration, the timer countdown will reset and the dehydrator will go into standby mode.

6. Optionally, you can change the time and temperature at any time by pressing **TEMP/TIME**.
7. When the timer finishes, the display will show "End" and heat will turn off. The dehydrator will beep 5 times, and the fan will continue running for 5 seconds before stopping.

NOTE: The dehydrator will always remember your previous temperature and time settings.

Tray Liners

Your dehydrator comes with 2 tray liners: a fruit roll sheet and a mesh screen.

1. Place a tray liner on a dehydrator tray. Place food on the tray.
2. Once the food is dehydrated, lift the tray liner out of the tray, using the cutouts on the side of the tray.
3. Remove food. Bending the screen is helpful for removing sticky foods.

Fruit Roll Sheet

- Use for making fruit rolls and strips from fresh, frozen, or canned fruit. You can also use this liner for pouring purée onto a tray.

NOTE: *Do not allow any liquid to drip into the vents in the base of the dehydrator.*

Mesh Screen

- Use for foods that shrink when dried. This liner will prevent them from falling through tray grates, while allowing air circulation.

Overheat Protection

- Overheating is extremely rare. If the dehydrator overheats, it will automatically shut down as a safety feature, and will no longer turn on. Contact **Customer Support** (page 12).

Tips

- Fruit and vegetables dried in your food dehydrator will look different from those sold in stores. This is because homemade dried foods do not use preservatives, artificial coloring, or artificial additives.
- Check out the Recipe Book for many more tips on dehydrating foods.

CARE & MAINTENANCE

1. Unplug the dehydrator and allow it to cool before cleaning.
2. If you used a recipe that left traces of liquid or other residue, use paper towels to wipe down the trays and tray liners before cleaning.
3. Soak trays in hot, soapy water for easy removal of food residue.
4. Use a soft brush to clean the trays and tray liners.

NOTE: Do not clean any part of the dehydrator with abrasive chemicals, as this will damage the surface.

5. Clean the surface of the dehydrator base with a damp cloth.
6. Dry all parts before storing or using the dehydrator.

7. When storing, turn the base upside down and wrap the cord around the center of the base. Secure the cord under the clips. [Figure 1.1]

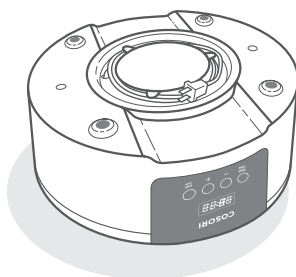


Figure 1.1

8. Set the base back upright and stack the trays on top of the dehydrator as normal.

TROUBLESHOOTING

Problem	Possible Solution
The dehydrator will not turn on, or the fan is not working.	Unplug the dehydrator and plug it in again.
	The dehydrator may be damaged or malfunctioning. Contact Customer Support (page 12).
“ERR” indicator appears on the display.	The dehydrator may be damaged or malfunctioning. Contact Customer Support (page 12).
Foods are dried unevenly.	Food placed in the lower trays will cook faster. Rotate the trays every few hours.
	Cut foods evenly to ensure that they all finish drying at the same time.
	Follow the recipes and tips in the Recipe Book.

WARRANTY INFORMATION

Product Name	Original Food Dehydrator
Model Number	CO165-FD
Default Warranty Period	1 year
<i>For your own reference, we strongly recommend that you record your order number and date of purchase.</i>	
Date of Purchase	
Order Number	

TERMS & POLICY

Cosori warrants all products to be of the highest quality in material, craftsmanship, and service, effective from the date of purchase to the end of the warranty period.

Cosori will replace any product found to be defective due to manufacturer flaws based on eligibility. Refunds are available within the first 30 days of purchase. Refunds are only available to the original purchaser of the product. This warranty extends only to personal use and does not extend to any product that has been used for commercial, rental, or any other use in which the product is not intended for. There are no warranties other than the warranties expressly set forth with each product.

This warranty is non-transferrable. Cosori is not responsible in any way for any damages, losses, or inconveniences caused by equipment failure by user negligence, abuse, or use noncompliant with the user manual or any additional safety or usage warnings included in the product packaging and manual.

This warranty does not apply to the following:

- Damage due to abuse, accident, alteration, misuse, tampering, or vandalism.
- Improper or inadequate maintenance.
- Damage in return transit.
- Unsupervised use by children under 18 years of age.

Cosori and its subsidiaries assume no liability for damage caused by the use of the product other than for its intended use or as instructed in the user manual. Some states do not allow this exclusion or limitation of incidental or consequential losses, so the foregoing disclaimer may not apply to you. This warranty gives you specific legal rights and you may also have other rights, which may vary from state to state.

ALL EXPRESSED AND IMPLIED WARRANTIES, INCLUDING THE WARRANTY OF MERCHANTABILITY, ARE LIMITED TO THE PERIOD OF THE LIMITED WARRANTY.

Additional 1-Year Warranty

You can extend your 1-year warranty by an additional year. Log onto www.cosori.com/warranty and enter your order number (e.g., from Amazon or Houzz) to register your new product for the extended warranty.

If you are unable to provide the order number for your product, please type a short note in the order number field along with the date you received your product.

Defective Products & Returns

Should your product prove defective within the specified warranty period, please contact Customer Support via support@cosori.com with your order number. **DO NOT** dispose of your product before contacting us. Once our Customer Support Team has approved your request, please return the unit with a copy of your invoice and order number.

CUSTOMER SUPPORT

We're Here to Help!

If you encounter any issues or have any questions regarding your new product, please contact our helpful Customer Support Team. Your satisfaction is our goal!

Customer Support

Arovast Corporation

1202 N. Miller St., Suite A
Anaheim, CA 92806

Support Hours

Monday - Friday
9:00 am - 5:00 pm PT

Email: support@cosori.com

Toll-Free: (888) 402-1684

* Please have your order confirmation number ready before contacting Customer Support.

SHOW US WHAT YOU'RE MAKING

We hope this has been helpful to you. We can't wait to see your beautiful results, and we think you'll want to share glam shots! Others already in the community await your uploads—just pick your platform of choice below.

Snap, hashtag, and tag away, Cosori chef!

#iCookCosori



@cosoricooks



Cosori Appliances

Considering what to cook? Many recipe ideas are available, both from us and the Cosori community.

MORE COSORI PRODUCTS

If you're happy with this food dehydrator, the line doesn't stop here. Check out www.cosori.com for a line of all our beautiful and thoughtfully designed cookware. They might be right at home in your kitchen, too!

COSORI

Questions or Concerns?

Mon - Fri 9:00 AM - 5:00 PM PT

support@cosori.com | (888) 402-1684