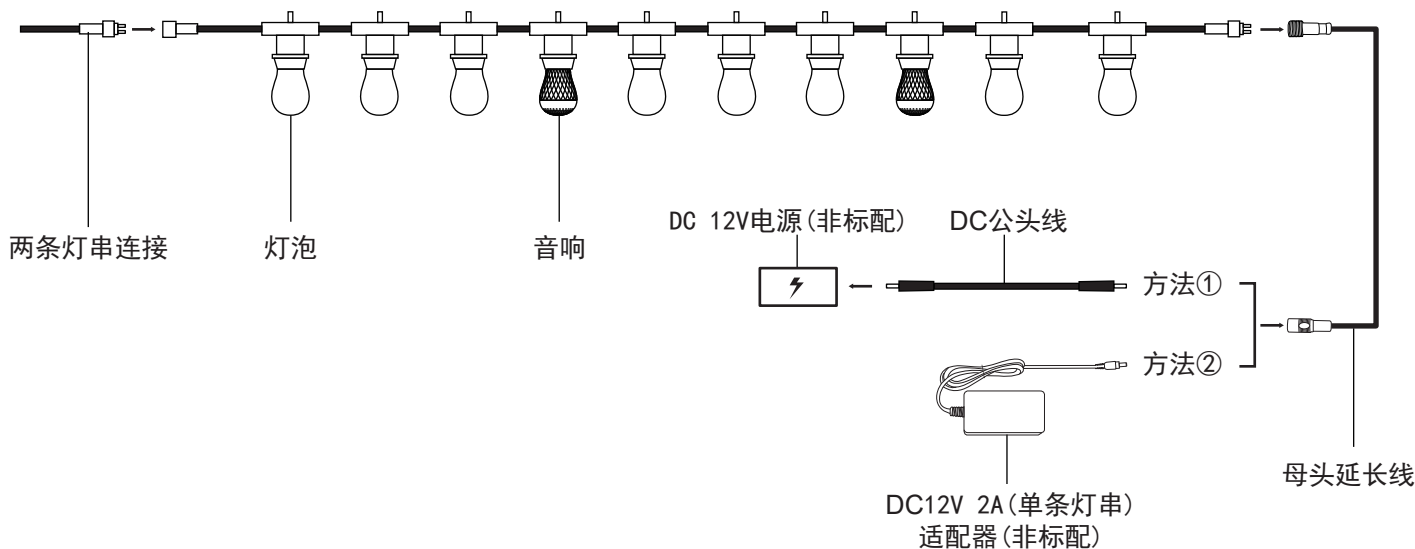


S14 string light with speaker

使用说明书

INSTRUCTION MANUAL

音响灯串：



基本参数

额定功率：8.8W (灯光2.8W+音响6W)	工作湿度：≤95%
电压范围：10.8V~13.2V	储存条件：干燥通风处
色温：2700K	裸灯重量：1.02 Kg
显色指数：Ra≥80	整灯长度：5m+1m (延长线)
光通量：55lm(单灯)	外壳材料：PC+麻绳+PVC+铜
工作温度：-10°C~50°C	防护等级：IPX4
储存温度：-20°C~60°C	

蓝牙音响参数

蓝牙设备名称：S14 SPEAKER BULB SYNC	蓝牙版本：5.4
立体声：YES	声压水平(SPL)：82db
一带多模式：YES	蓝牙工作距离：10m
喇叭规格：4ohm 3w D36	一带多同步距离：5m
蓝牙音响功率：3W x 2	

使用方式

在手机或其他音源设备搜索蓝牙设备“S14 SPEAKER BULB SYNC”，连接后，S14 作为手机的音频输出设备；

在5米范围内，连接手机的音频设备为主设备，任意其他S14设备上电后，将作为从设备同步主设备的音频；

注：主设备建议安装在灯串中间位置，避免信号不良

如果给设备供电后没有任何提示音，请确认设备旋紧后重试

当设备上电、和手机连接或断开都有相关的提示音



产品保修卡

产品名称：S14音响灯串 规格型号：S14-YXDC-01

客户信息资料

出厂编码：_____ 生产日期：_____

姓名：_____ 电话：_____

检验员：_____ 检验结论：_____

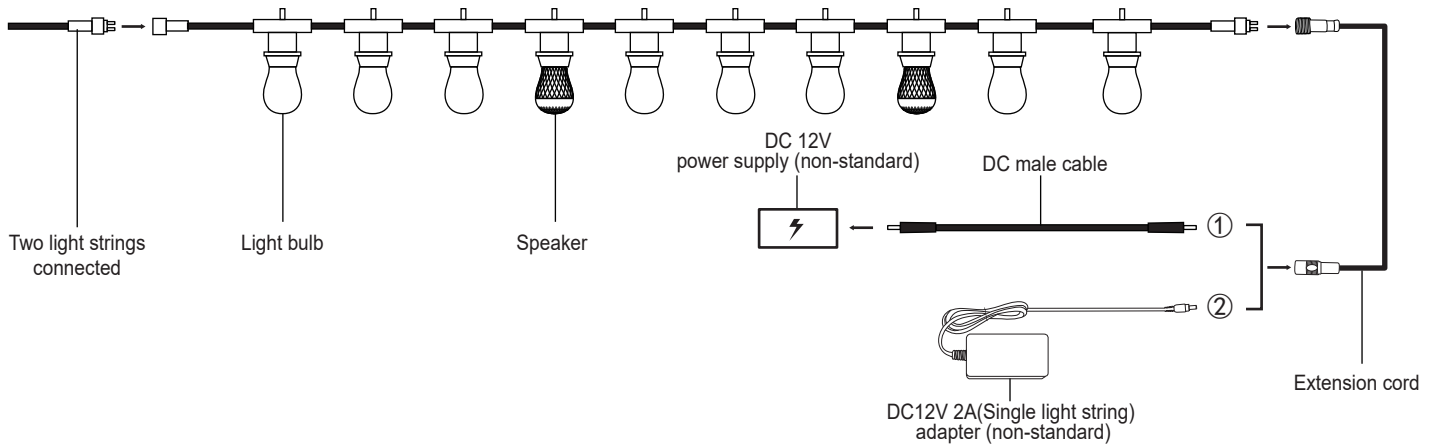
地址：_____ 购买日期：_____



1. 本产品自出售之日起，保修期为一年。
2. 本公司将为您提供优质的售后服务。
3. 如用户因人为因素造成产品损坏，本公司维修时需收取修理费用。
4. 请妥善保管此卡，我司将以此作为保修依据。

S14 string light with speaker

INSTRUCTION MANUAL



Basic parameters

Rated power : 8.8W (light 2.8W+speaker 6W)
Voltage range : 10.8V~13.2V
Color temperature : 2700K
CRI : Ra≥80
Luminous flux : 55lm (Single lamp)
Working temperature : 0°C~45°C
Storage temperature : -20°C~60°C

Working humidity : ≤95%
Storage conditions : Dry and ventilated area
Net weight : 1.02 Kg
Total length : 5m+1m (extension wire)
Housing material : PC+Hemp Rope+PVC+copper
IP rating : IPX4

Bluetooth audio parameters

Bluetooth name : S14 SPEAKER BULB SYNC
Stereo : YES
Multiple Broadcasting Mode : YES
Speaker specifications : 4ohm 3w D36
Sound power : 3W x 2

Bluetooth version : 5.4
SPL : 82db
Bluetooth connection range : 10m
Multiple Broadcasting Mode connection range : 5m

Usage

Search for the bluetooth device named "S14 SPEAKER BULB SYNC" by your phone or other audio source device, S14 will work as the phone's audio output device after connecting.

Within 5 meters, the audio device which connect to the phone will work as the main device, any other S14 device will work as the sub device to synchronize with the main device when it's power on.

Note: The main device should be installed in the middle of the string light to avoid bad signals, If there is no any sounds after the power on, please make sure that the device is tightened and try again, There are related tones when the device is power on and be connected or disconnected to the phone.



Warranty card

Product name S14 string light with speaker Model No. S14-YXDC-01

The customer information

The factory code _____ Date of production _____

Name _____ Telephone _____

Inspector _____ Inspection conclusion _____

Address _____ Purchase date _____



1. This product from the date of sale and warranty for one year.
2. The company will provide you with high quality after-sales service.
3. If the user due to damage caused by man-made factors, the company is required for a maintenance repair charge.
4. Please keep this card, we will use this as warranty basis.

FCC Warning:

This equipment has been tested and found to comply with the limits for a Class B digital device, pursuant to part 15 of the FCC Rules. These limits are designed to provide reasonable protection against harmful interference in a residential installation. This equipment generates, uses and can radiate radio frequency energy and, if not installed and used in accordance with the instructions, may cause harmful interference to radio communications. However, there is no guarantee that interference will not occur in a particular installation. If this equipment does cause harmful interference to radio or television reception, which can be determined by turning the equipment off and on, the user is encouraged to try to correct the interference by one or more of the following measures:

- Reorient or relocate the receiving antenna.
- Increase the separation between the equipment and receiver.
- Connect the equipment into an outlet on a circuit different from that to which the receiver is connected.
- Consult the dealer or an experienced radio/TV technician for help.

Caution: Any changes or modifications to this device not explicitly approved by manufacturer could void your authority to operate this equipment.

This device complies with part 15 of the FCC Rules. Operation is subject to the following two conditions:

(1) This device may not cause harmful interference, and (2) this device must accept any interference received, including interference that may cause undesired operation.

This equipment complies with FCC radiation exposure limits set forth for an uncontrolled environment. This equipment should be installed and operated with minimum distance 0cm between the radiator and your body.