



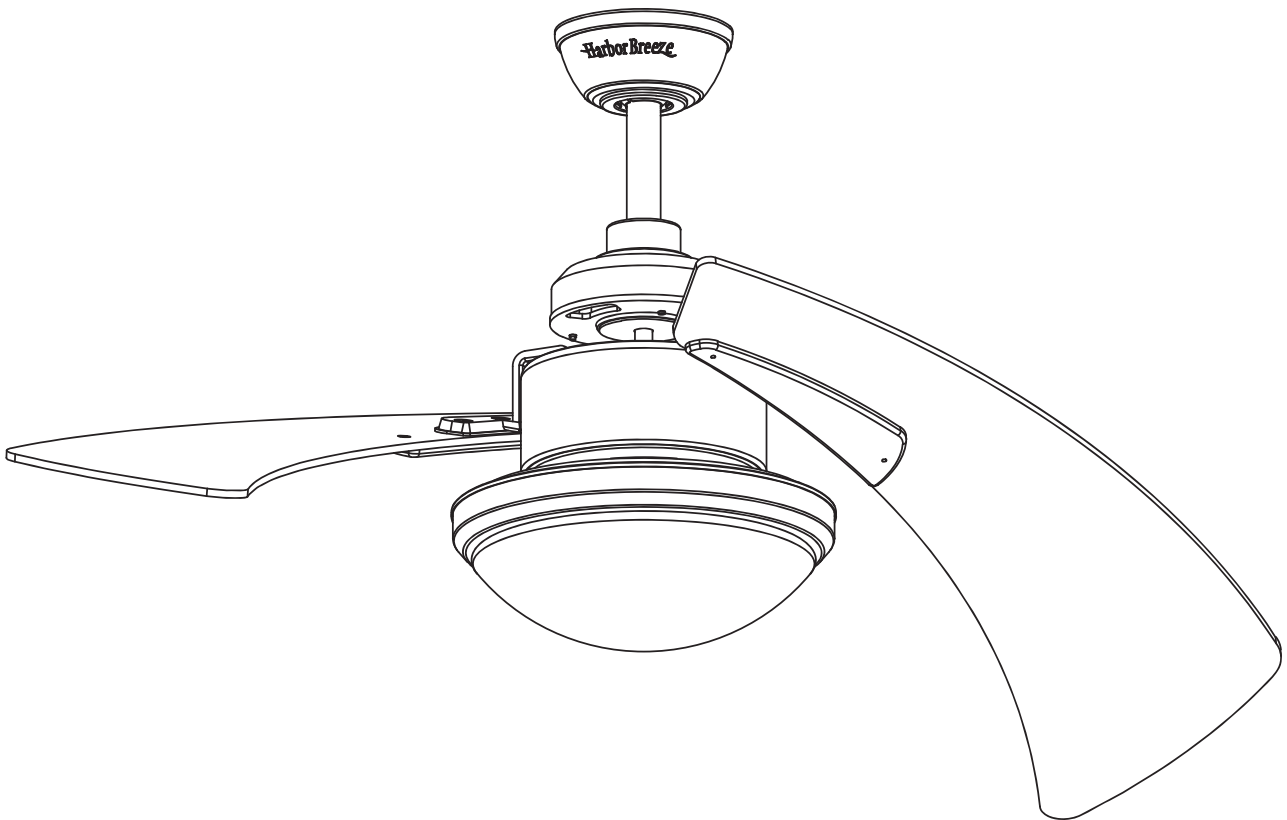
ITEM #0464466

SANTA ANA CEILING FAN

MODEL #LP8294LBN

Español p. 24

Harbor Breeze® is a registered trademark of LF, LLC. All Rights Reserved.



ATTACH YOUR RECEIPT HERE

Serial Number _____ Purchase Date _____



Questions, problems, missing parts? Before returning to your retailer, call our customer service department at 1-800-643-0067, 8 a.m. - 6 p.m., EST, Monday - Thursday, 8 a.m. - 5 p.m., EST, Friday.

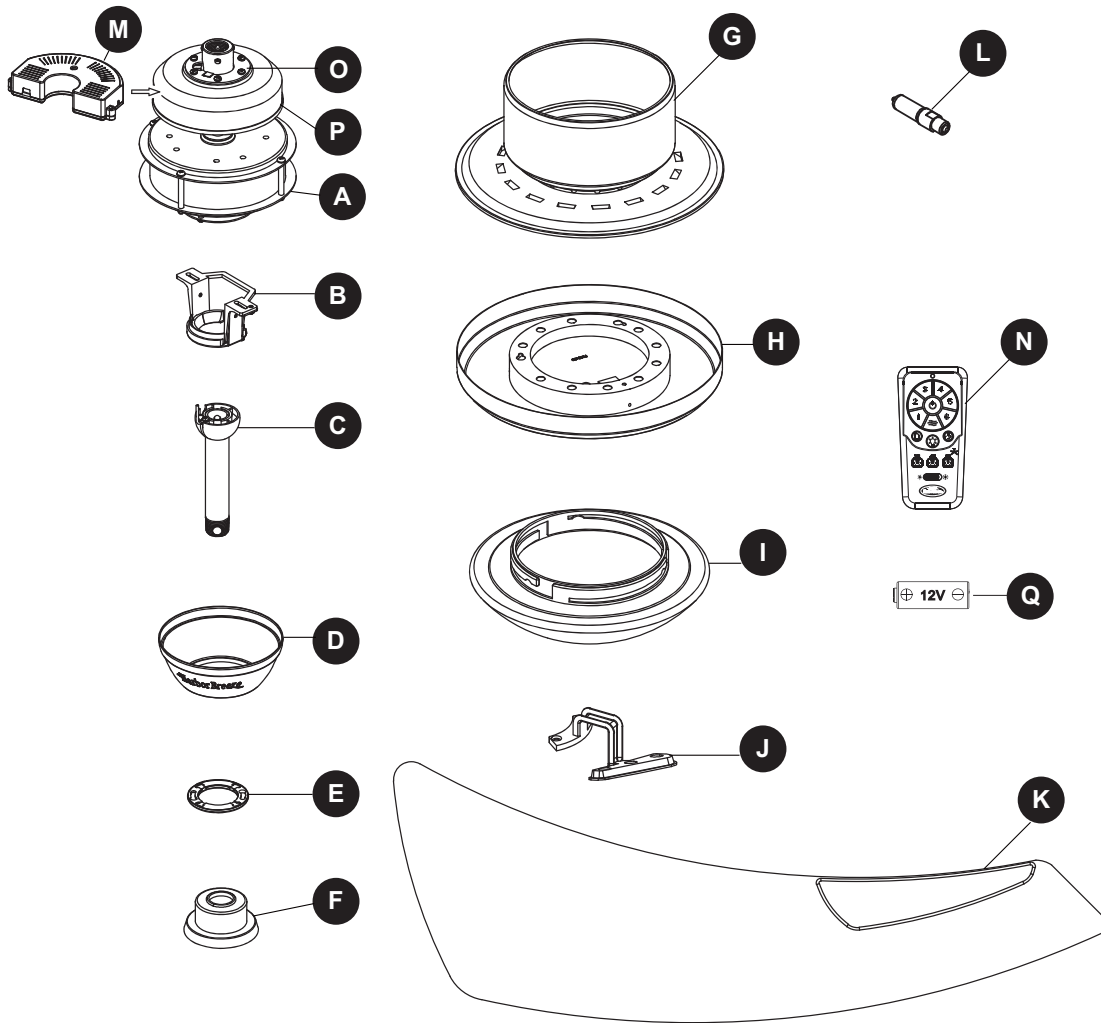


TABLE OF CONTENTS

Package Contents	3
Hardware Contents	4
Safety Information	5
Preparation.	6
Initial Assembly Instructions.	7
Wiring Instructions	13
Final Assembly Instructions	14
Operating Instructions	16
Blade Balancing Instructions	19
Care and Maintenance.	20
Troubleshooting	21
Warranty.	22
Replacement Parts List	23



PACKAGE CONTENTS



PART	DESCRIPTION	QUANTITY
A	Motor	1
B	Hanger Bracket	1
C	Downrod	1
D	Ceiling Canopy	1
E	Canopy Screw Cover	1
F	Motor Coupling Cover	1
G	Lower Housing Assembly	1
H	Socket Plate Assembly	1

PART	DESCRIPTION	QUANTITY
I	Glass	1
J	Blade Holder Arm	2
K	Blade	2
L	Bulb	1
M	Receiver (preassembled to Motor (A))	1
N	Remote	1
O	Motor Coupler Washer (preassembled to Motor (A))	1
P	Upper Housing Cover (preassembled to Motor (A))	1
Q	Battery	1

HARDWARE CONTENTS (shown actual size)

AA



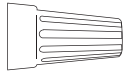
Screw
Qty. 5

BB



Washer-Head
Screw
Qty. 7

CC



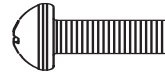
Wire
Connector
Qty. 4

DD



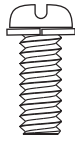
Balance
Kit (not
shown to
size)
Qty. 1

EE



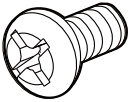
Downrod Support Set
Screw (preassembled
to Motor (A))
Qty. 2

FF



Upper Housing
Cover Screw
(preassembled
to Motor (A))
Qty. 6

GG



Hanger Ball
Set Screw
(preassembled
to Downrod
(C))
Qty. 1

HH



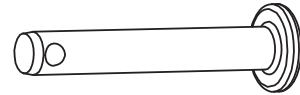
Hanger
Ball Pin
(preassembled
to Downrod
(C))
Qty. 1

II



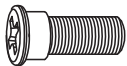
Downrod Clip
(preassembled to
Downrod (C))
Qty. 1

JJ



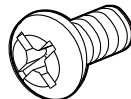
Downrod Pin (preassembled to
Downrod (C))
Qty. 1

KK



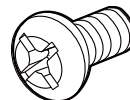
Shoulder Screw (preassembled
to Hanger Bracket (B))
Qty. 2

LL



Adapter Plate Screw
(preassembled to Motor
(A))
Qty. 3

MM



Socket Plate Assembly Screw
(preassembled to the Lower Housing
Assembly (G))
Qty. 3

SAFETY INFORMATION

Please read and understand this entire manual before attempting to assemble, operate, or install the product.

- Before you begin installing the fan, disconnect the power by removing fuses or turning off circuit breakers.
- Make sure all electrical connections comply with local codes, ordinances, or the National Electrical code. Hire a qualified electrician or consult a do-it-yourself wiring handbook if you are unfamiliar with installing electrical wiring.
- Make sure the installation site you choose allows a minimum clearance of 7 ft. from the blades to the floor and at least 30 in. from the ends of the blades to any obstruction.
- If you are mounting the fan to a ceiling outlet box, use a METAL octagonal outlet box.
- Secure the box directly to the building structure. The outlet box and its support must be able to support the moving weight of the fan (at least 35 lbs.). Do NOT use a plastic outlet box.
- After you install the fan, make sure all connections are secure to prevent the fan from falling.
- For supply connections, if the conductor of a fan is identified as a grounded conductor, then it should be connected to a grounded conductor power supply. If the conductor of a fan is identified as an ungrounded conductor, then it should be connected to an ungrounded conductor power supply. If the conductor of a fan is identified for equipment grounding, then it should be connected to an equipment-grounding conductor.
- This device complies with Part 15 of the FCC Rules. Operation is subject to the following two conditions: (1) This device may not cause harmful interference, and (2) this device must accept any interference received, including interference that may cause undesired operation.

Note: This equipment has been tested and found to comply with the limits for Class B digital device, pursuant to part 15 of the FCC Rules. These limits are designed to provide reasonable protection against harmful interference in a residential installation. This equipment generates, uses and can radiate radio frequency energy and, if not installed and used in accordance with the instructions, may cause harmful interference to radio or television reception, which can be determined by turning the equipment off and on, the user is encouraged to try to correct the interference by one or more of the following measures:

- Reorient or relocate the receiving antenna.
- Increase the separation between the equipment and the receiver.
- Connect the equipment into an outlet on a circuit different from that to which the receiver is connected.
- Consult the dealer or an experienced radio/TV technician for help.

Note: For a Class A digital device, statements of 15.105(a) must be included when appropriate for the device in question.

- The net weight of this fan is: 20.68 lbs.

WARNING:

- Do not install or use this fan if any part is damaged or missing.
- To reduce the risk of fire, electrical shock, or personal injury, wire connectors provided with this fan are designed to accept only one 12-gauge house wire and two lead wires from the fan. If your house wire is larger than 12 gauges or there is more than one house wire to connect to the two fan lead wires, consult an electrician for the proper size wire connectors to use. Before cutting, drilling or hammering, verify their location. If needed, contact your electrician, plumber or service person.

SAFETY INFORMATION

- To reduce the risk of fire, electric shock, or personal injury, do not bend the blade arms when installing them, balancing the blades, or cleaning the fan. Do not insert foreign objects between the rotating fan blades. Mount the fan to an outlet box marked “ACCEPTABLE FOR FAN SUPPORT” and use mounting screws provided with the outlet box. Most outlet boxes commonly used for the support of lighting fixtures are not acceptable for fan support and may need to be replaced. Consult a qualified electrician if in doubt.
- This fan is to be used in dry locations only.

PREPARATION

Before beginning assembly of product, make sure all parts are present. Compare parts with package contents list and hardware contents list. If any part is missing or damaged, do not attempt to assemble the product.

Estimated Assembly Time: 60 minutes

Tools Required for Assembly (not included): Phillips screwdriver, 1/4 in. flathead screwdriver, wire strippers and step ladder

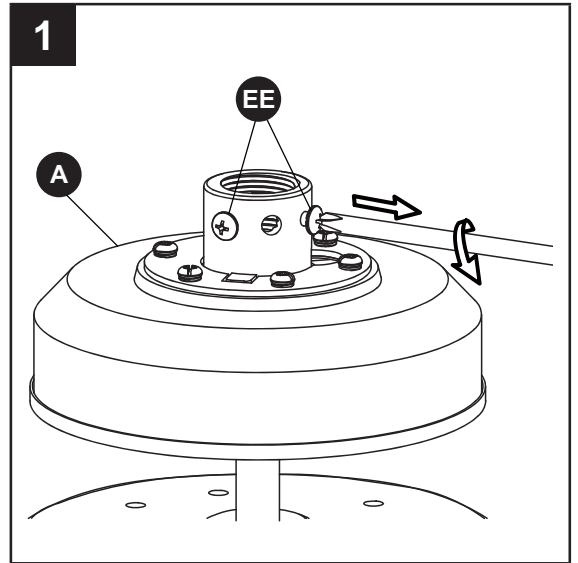
Helpful Tools (not included): AC tester light, do-it-yourself wiring handbook and wire cutters

INITIAL ASSEMBLY INSTRUCTIONS

1. Remove the two preassembled downrod support set screws (EE) on the downrod support from the motor (A). Retain the screws for later.

Hardware Used

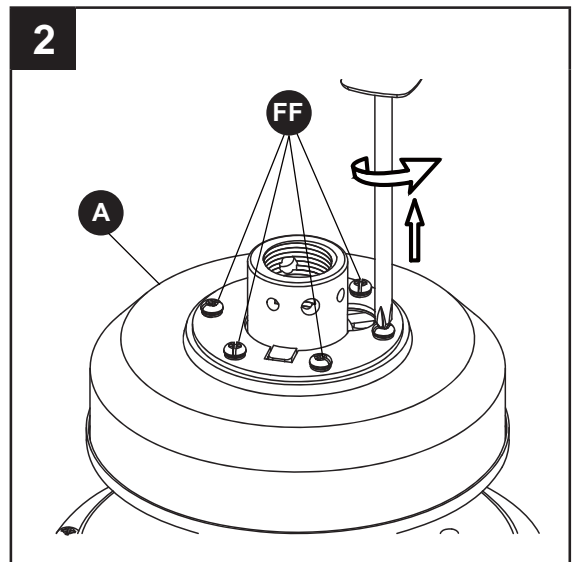
- EE** Downrod Support Set Screws  x 2



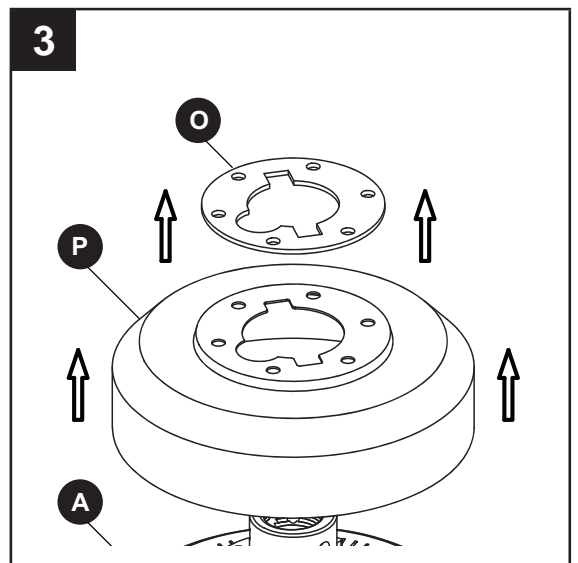
2. Remove the preassembled upper housing cover screws (FF) from the top of the motor (A). Retain these screws for later.

Hardware Used

- FF** Upper Housing Cover Screws  x 6



3. Remove the motor coupler washer (O) and upper housing cover (P) from the motor (A).



INITIAL ASSEMBLY INSTRUCTIONS

4. Position the blade holder arm (J) over the motor (A) with threaded posts showing. Make sure the bottom edge of the blade holder arm (J) is fully seated against the flywheel of the motor (A). Attach the screws (AA) to secure the blade holder arm (J) to the flywheel of the motor (A). Repeat for the other blade holder arm (J).

⚠ WARNING: To reduce the risk of personal injury, do not bend the blade holders when installing, balancing the blades, or cleaning the fan. Do not insert foreign objects in between the rotating blades.

Hardware Used

AA Screw



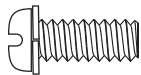
x 4

5. Re-assemble the upper housing cover (P) and motor coupler washer (O) to motor (A).

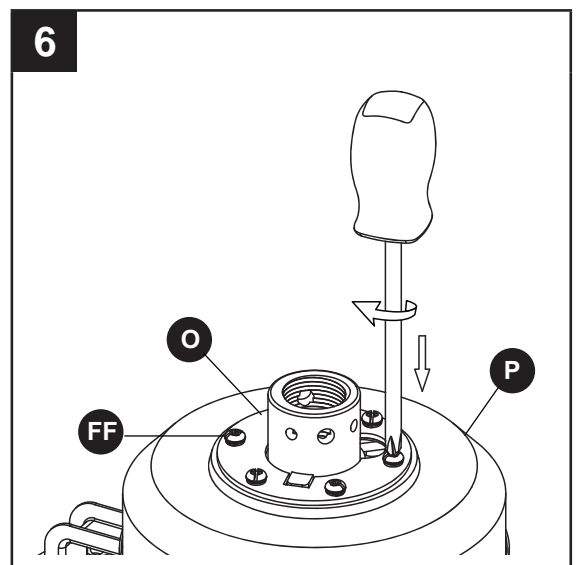
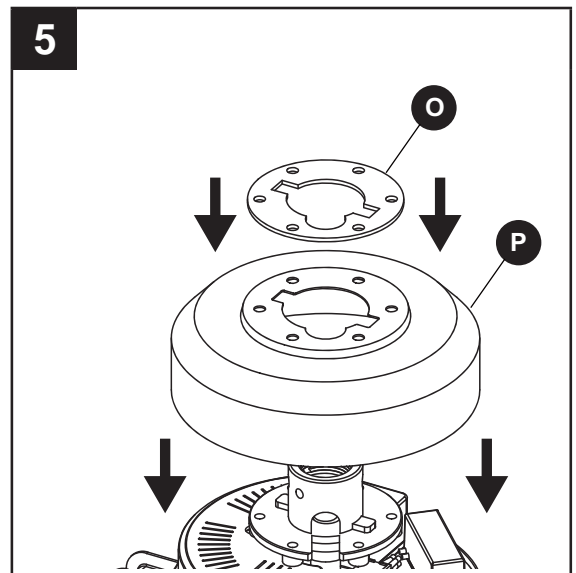
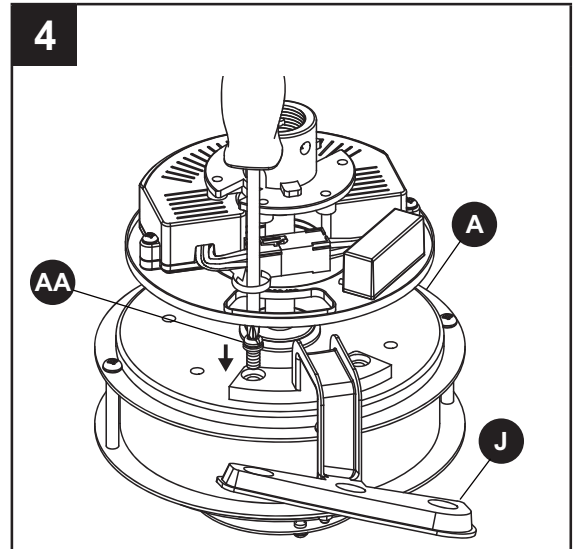
6. Secure the motor coupler washer (O) and upper housing cover (P) using the previously removed upper housing cover screws (FF). Securely tighten.

Hardware Used

FF Upper Housing Cover Screw



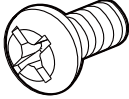

x 6

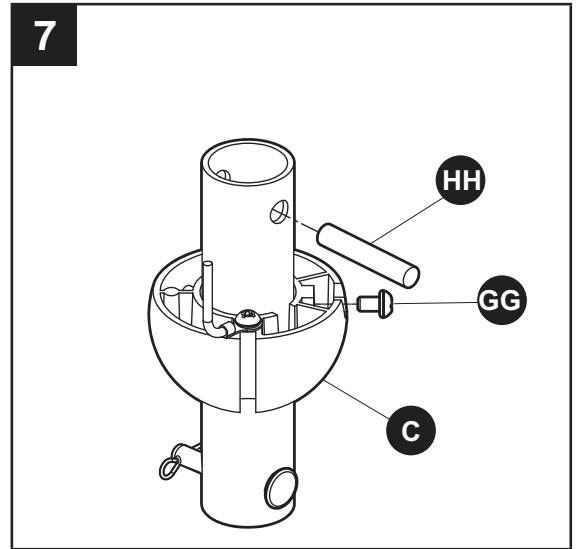


INITIAL ASSEMBLY INSTRUCTIONS

7. Loosen the preassembled hanger ball set screw (GG) until the hanger ball falls freely down the downrod (C). Remove the preassembled hanger ball pin (HH) from the downrod (C) and remove the hanger ball portion of the downrod (C). Retain the hanger ball pin (HH) and hanger ball for later.


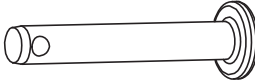
Hardware Used

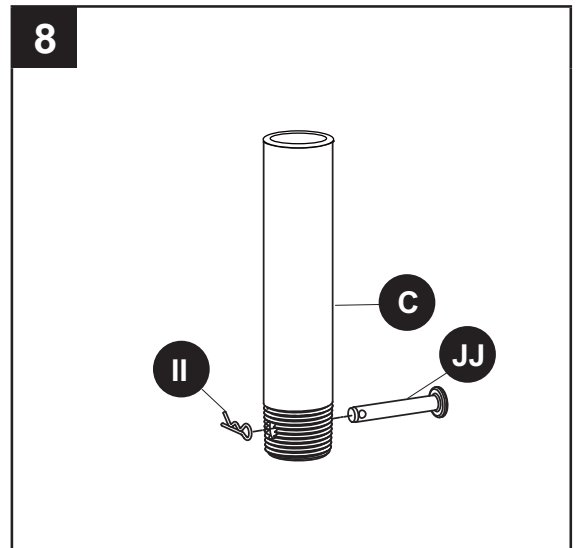
GG	Hanger Ball Set Screw		x 1
HH	Hanger Ball Pin		x 1



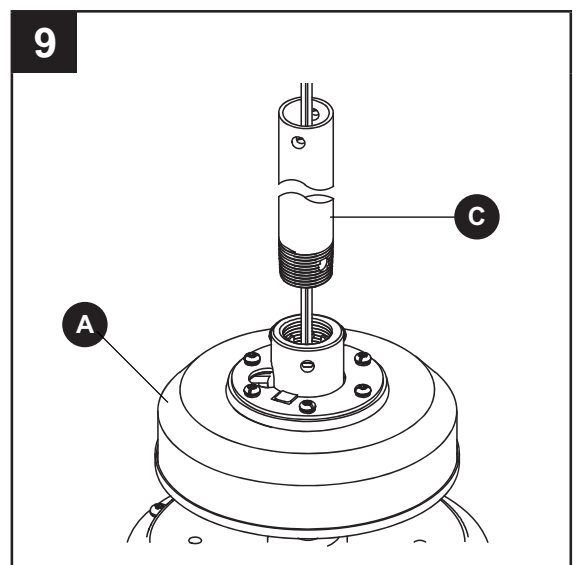
8. Remove the preassembled downrod clip (II) and downrod pin (JJ) from the bottom of the downrod (C). Retain these two parts for later.

Hardware Used

II	Downrod Clip		x 1
JJ	Downrod Pin		x 1



9. Route the black and white wires from the motor (A) through the downrod (C).

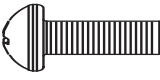




INITIAL ASSEMBLY INSTRUCTIONS

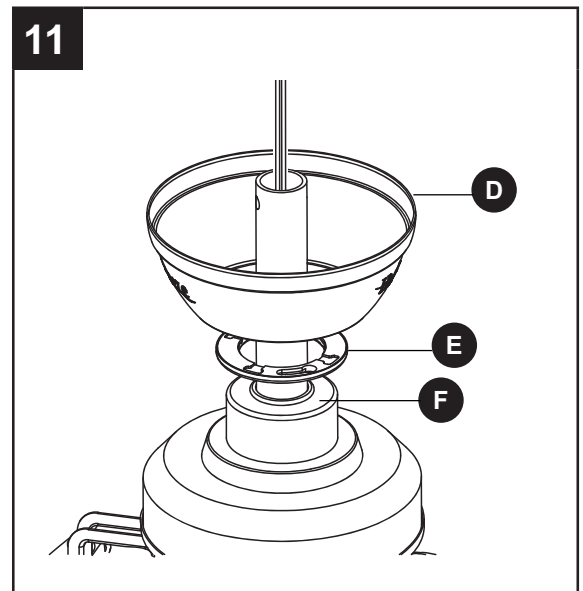
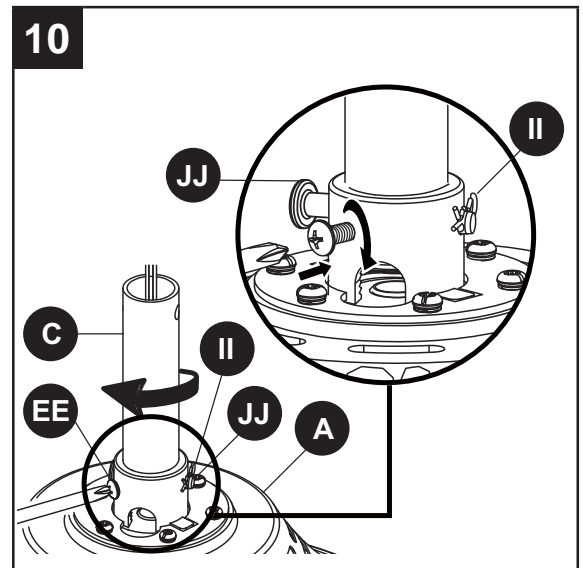
10. Thread the downrod (C) into the downrod support of the motor (A). Align the holes in the downrod support of the motor (A) with the holes in the downrod (C) and re-install the downrod pin (JJ). Secure the downrod pin (JJ) with the downrod clip (II). Re-install the two downrod support set screws (EE) and tighten securely in the downrod support of the motor (A).

⚠ WARNING: It is critical the downrod pin (JJ) is properly installed and the downrod support set screws (EE) are securely tightened. Failure to do so could result in the fan falling.

Hardware Used

EE	Downrod Support Set Screw		x 2
II	Downrod Clip		x 1
JJ	Downrod Pin		x 1

11. Route the wires through the motor coupling cover (F), canopy screw cover (E) and ceiling canopy (D).





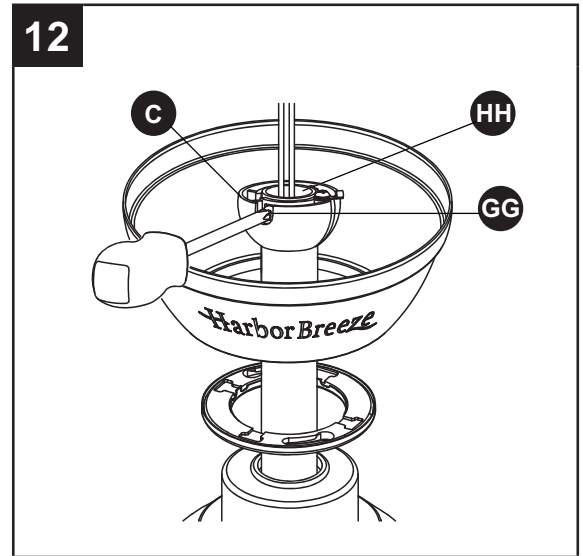
INITIAL ASSEMBLY INSTRUCTIONS

12. Route the wires through the previously removed hanger ball. Insert the previously removed hanger ball pin (HH) through the two holes in the downrod (C) and align the hanger ball so the hanger ball pin (HH) is captured in the groove in the top of the downrod (C). Pull the hanger ball up tight against the hanger ball pin (HH). Securely tighten the preassembled hanger ball set screw (GG).

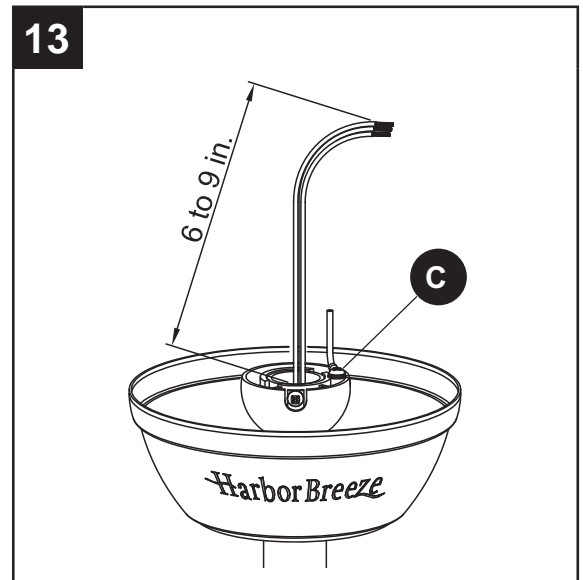
CAUTION: A loose set screw could result in a wobbly fan.

Hardware Used

GG	Hanger Ball Set Screw		x 1
HH	Hanger Ball Pin		x 1



13. Cut off excess lead wire approximately 6 to 9 in. above the top of the downrod (C). Strip insulation off 1/2 in. from the end of each lead wire.



INITIAL ASSEMBLY INSTRUCTIONS

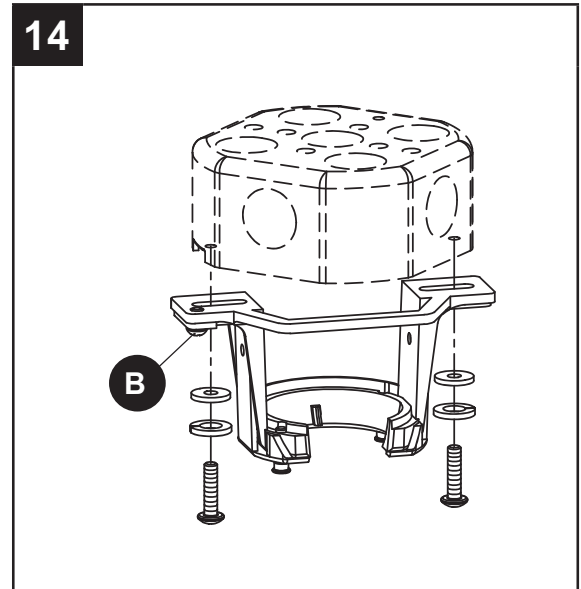
⚠ WARNING: To avoid possible electrical shock, be sure electricity is turned off at the main fuse box before hanging.

⚠ WARNING: If you are not sure if the outlet box is grounded, contact a licensed electrician for advice, as it must be grounded for safe operation.

⚠ WARNING: The fan must hang with at least 7 ft. of clearance from the floor to blades.

14. Securely attach the hanger bracket (B) to the outlet box (not included) using the outlet box screws and washers supplied with the outlet box.

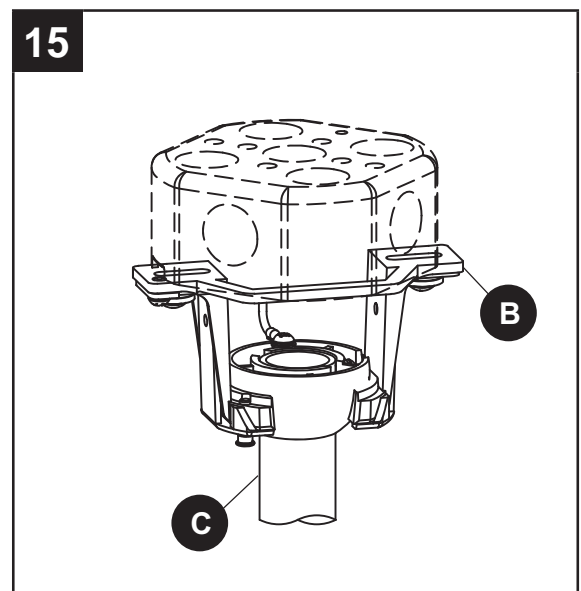
⚠ WARNING: The outlet box must be securely anchored. The hanger bracket must seat firmly against the outlet box. If the outlet box is recessed, remove wallboard until the bracket contacts the box. If the bracket and/or outlet box are not securely attached, the fan could wobble or fall.



15. Carefully lift the fan assembly and seat the hanger ball of the downrod (C) on the hanger bracket (B). Be sure the groove in the ball is lined up with the tab on the hanger bracket (B).

⚠ WARNING: Failure to seat the tab in the groove could cause damage to electrical wires and possible shock or a fire hazard.

⚠ WARNING: To avoid possible shock, do not pinch wires between the hanger ball assembly and the hanger bracket.



WIRING INSTRUCTIONS

⚠ WARNING: To avoid possible electrical shock, be sure electricity is turned off at the main fuse box before hanging.

⚠ WARNING: If you are not sure if the outlet box is grounded, contact a licensed electrician for advice, as it must be grounded for safe operation.

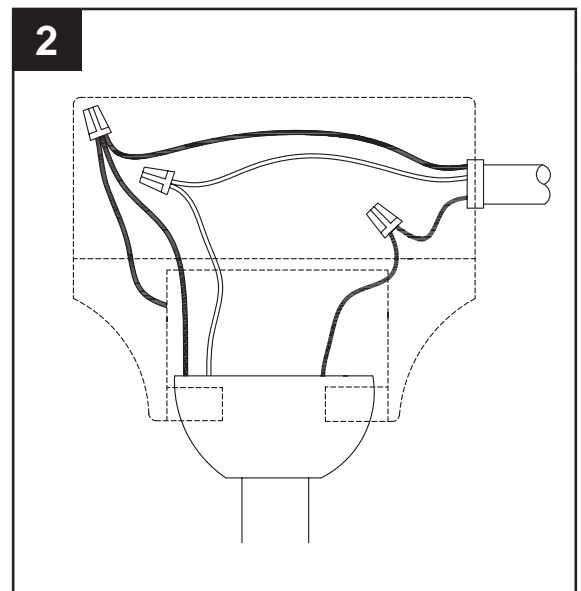
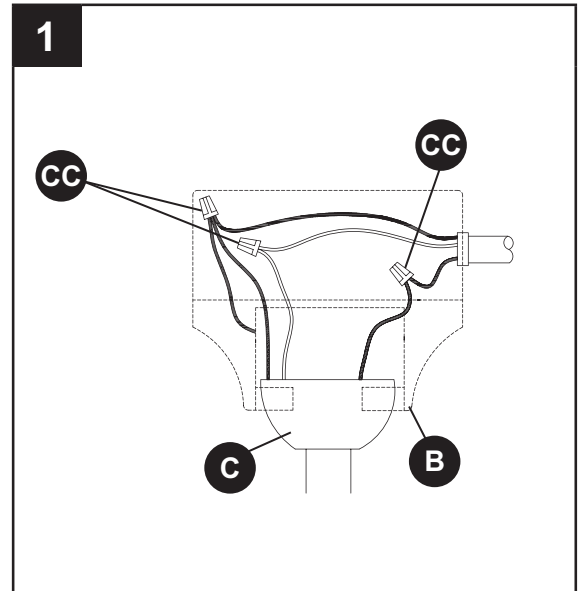
1. Connect the green grounding lead from the downrod (C) and the green grounding lead from the hanger bracket (B) to the supply grounding conductor (this may be a bare wire or wire with green colored insulation). Securely connect the wires with a wire connector (CC). Securely connect the white fan motor wire to the white supply (neutral) wire and secure the connection with a wire connector (CC). Securely connect the black fan motor wire to the black supply wire and secure the connection with a wire connector (CC).

Hardware Used

CC Wire Connector  x 3

2. After connections have been made, turn the leads upward and carefully push the leads into the outlet box, with the white and green leads to one side of the box and the black leads toward the other side.

⚠ WARNING: Check to see that all connections are tight, including the ground wire, and no bare wire is visible at the wire connectors except for the ground wire. Do not operate the fan until the blades are in place. Noise and motor damage could result.



FINAL ASSEMBLY INSTRUCTIONS

1. Remove one of the two preassembled shoulder screws (KK) in the hanger bracket (B). Loosen the second shoulder screw (KK) without fully removing it. Rotate the ceiling canopy (D) so the second shoulder screw (KK) moves into the small opening of the keyslot. Tighten the shoulder screw (KK). Re-install the previously removed shoulder screw (KK) to fully assemble the ceiling canopy (D) to the hanger bracket (B).

⚠ WARNING: To avoid possible fire or shock, make sure the electrical wires are completely inside the canopy housing and not pinched between the housing and the ceiling.

Hardware Used

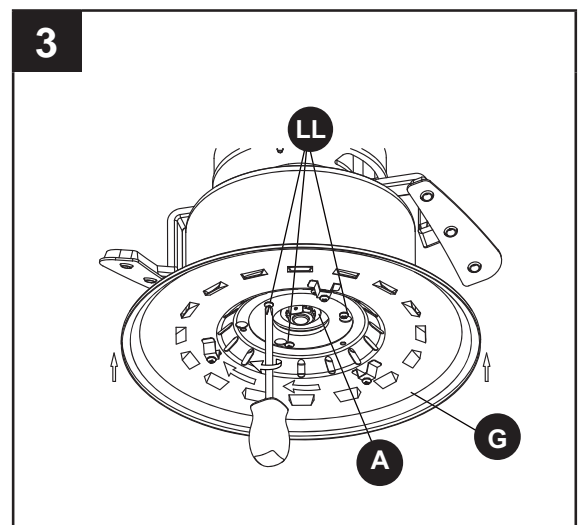
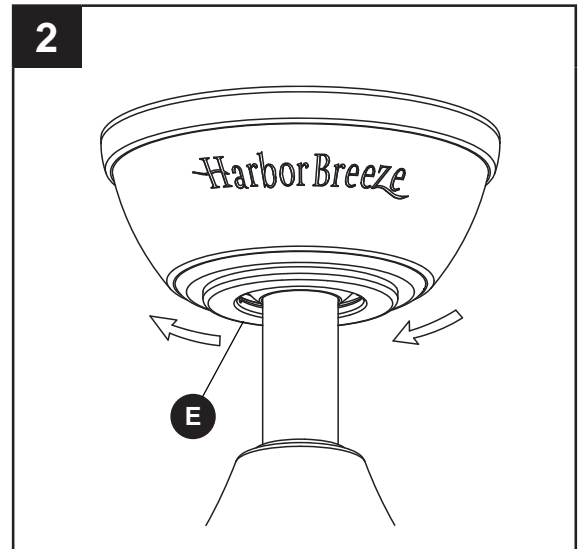
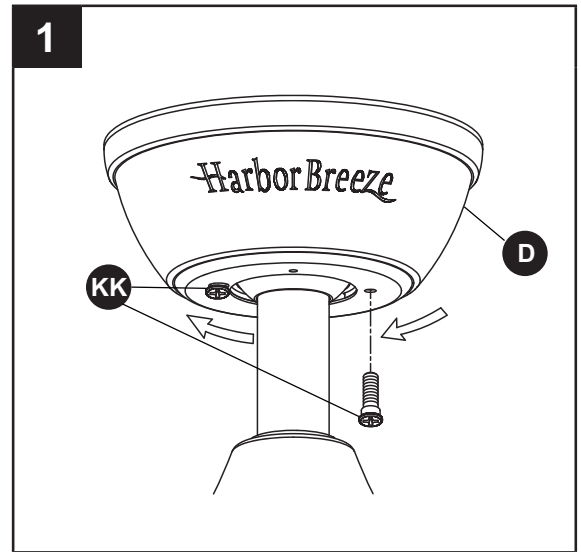
KK Shoulder Screw  x 1

2. Securely attach and tighten the canopy screw cover (E) over the shoulder screws (KK) in the hanger bracket (B), utilizing the keyslot twist-lock feature.

3. Remove one of the three preassembled adapter plate screws (LL) inside the adapter plate at the bottom of the motor (A). Slightly loosen the remaining two adapter plate screws (LL). Assemble the light plate assembly (G) to the adapter plate of the motor (A) using the two keyslots in the light plate assembly (G). Replace the third adapter plate screw (LL) and secure all three adapter plate screws (LL).

Hardware Used

LL Adapter Plate Screw  x 3

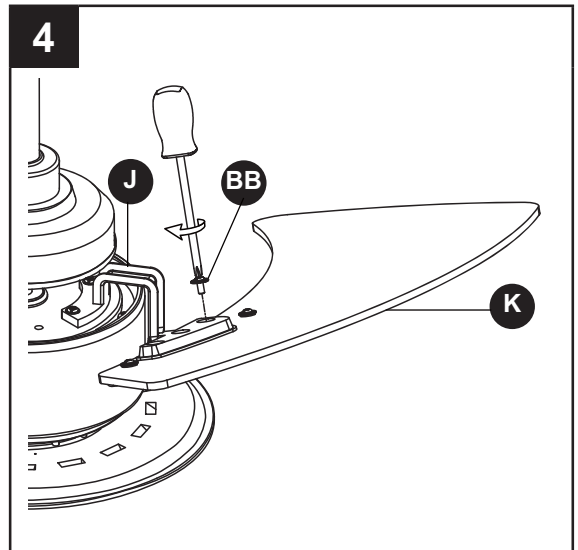


FINAL ASSEMBLY INSTRUCTIONS

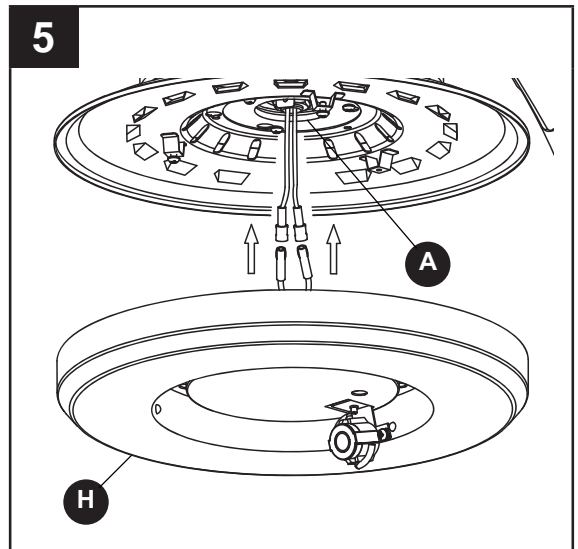
- Place a blade (K) on the bottom of a blade holder arm (J), positioning the holes over the threaded posts. Tighten the washer-head screws (BB) to secure the blade (K) and blade holder arm (J). Repeat for the other blade (K).

Hardware Used

BB Washer-Head Screw x 6



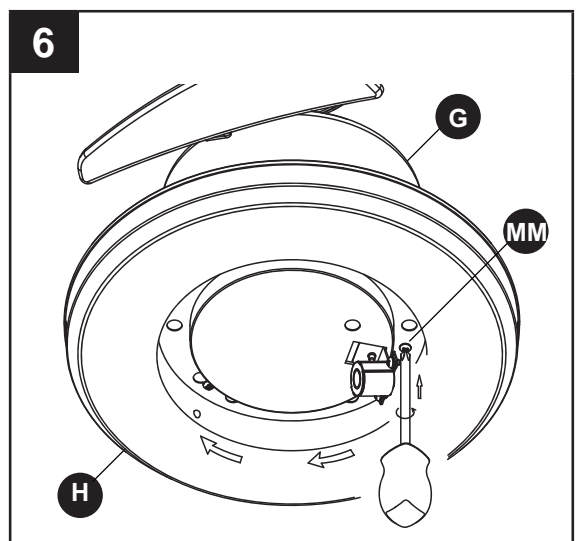
- Connect the pin connectors from the socket plate assembly (H) to the pin connectors from the motor (A).



- Remove one of the preassembled socket plate assembly screws (MM) inside the lower housing assembly (G). Assemble the socket plate assembly (H) to the lower housing assembly (G) using the two keyslots in the socket plate assembly (H). Replace the third socket plate assembly screw (MM) and securely tighten all three.

Hardware Used

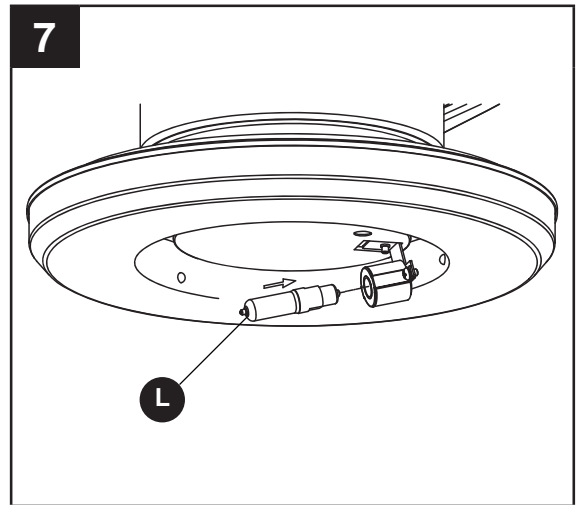
MM Socket Plate Assembly Screw x 3



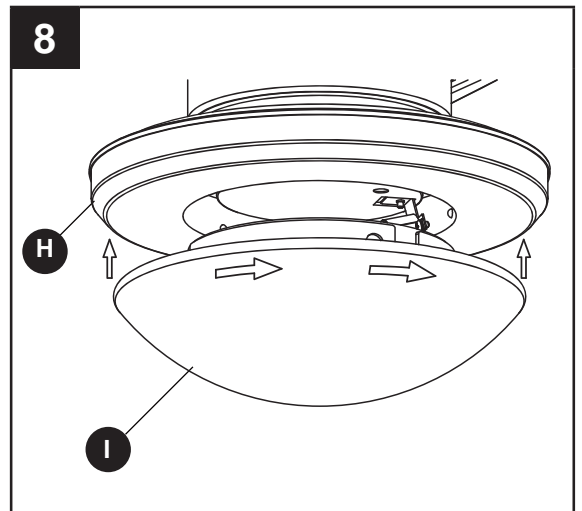
FINAL ASSEMBLY INSTRUCTIONS

7. Install the bulb (L) into the socket.

CAUTION: Bulbs are pressurized and may shatter. DO NOT TOUCH BULBS WITH BARE HANDS. Fingerprints may result in shorter bulb life. Remove fingerprints with alcohol prior to use. To reduce the risk of fire, use a 100-watt max. type T4-minican JD E11 tungsten halogen bulb. Turn off the wall switch and allow the bulb to cool for 10 minutes before relamping.

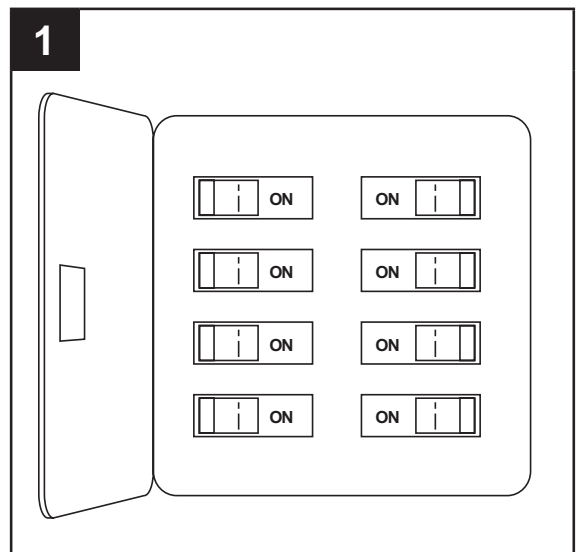


8. Securely attach the glass (I) by twisting clockwise onto the socket plate assembly (H). Do not overtighten or force it.



OPERATING INSTRUCTIONS

1. Restore electrical power to the outlet box by turning the electricity on at the main fuse box.



OPERATING INSTRUCTIONS

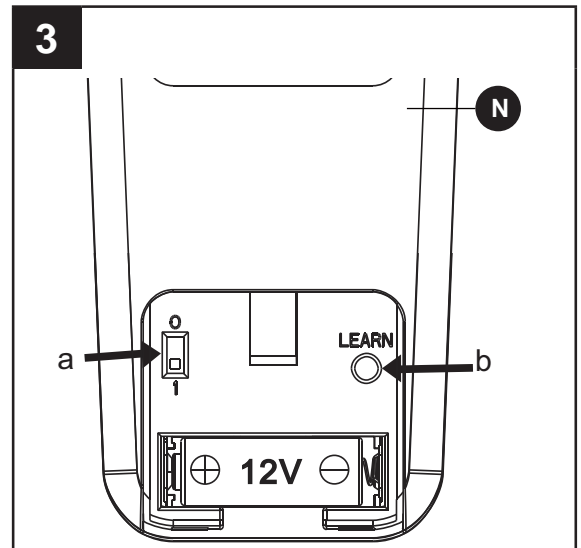
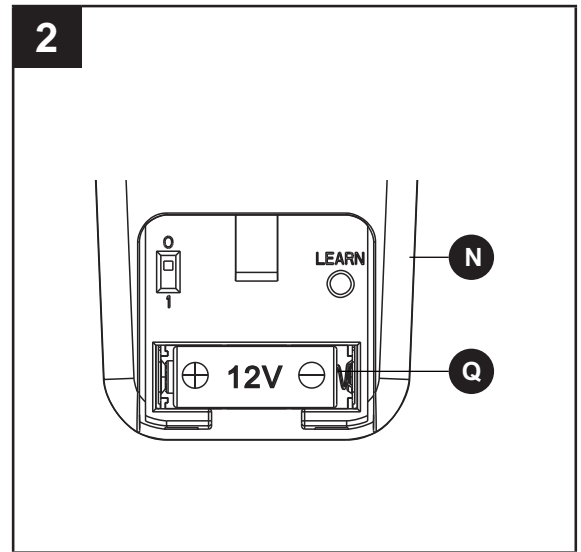
2. Remove the battery cover from the remote (N) and install the battery (Q), ensuring the polarity of the battery (Q) matches the polarity in the battery compartment. Replace the battery cover.

Note: When it is time to replace battery (Q), use a 12-volt battery.

CAUTION: If you are not expecting to use the remote for a long period of time, remove the battery to prevent damage to the remote. Be sure to store the remote away from excess heat or humidity.

3. Follow these steps to set the remote (N):
 - a) Slide the dip switch to “1” inside the battery compartment and turn the power to the fan OFF. Turn the power ON. The receiver (M) will make two musical sounds, indicating that the power supply is normal.
 - b) Within 30 seconds, press the “LEARN” key on the back of the remote (N). Your remote and fan should be synchronized.

To verify successful synchronization, the ceiling fan light will blink 3 times and remain ON, and the fan will rotate on HIGH speed.



OPERATING INSTRUCTIONS

4. Remote (N) functions:

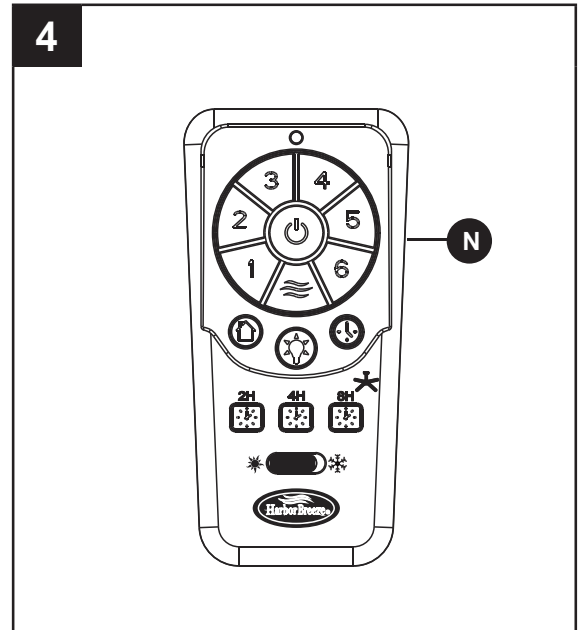
- Fan speed:

1 = Minimum speed 2 = Low speed
3 = Medium low speed 4 = Medium speed
5 = Medium high speed 6 = High speed

≡ = Natural breeze

Tap either of the “⏻ / 1/2/3/4/5/6 ” keys to exit natural breeze mode and shift to relative key function.

- ⏻ Button:
Turns the fan off.
Press and hold the “⏻ ” key to turn on/off the beep indicator.
- *🌙* Reverse button:
Controls fan direction.
- ✨ Light button:
Turns the light on/off. Press and hold for dimming.
- ⌚ Walk Away Light Delay:
Turns the fan and light off after 1 minute.
During walk away light delay mode, press any other key to cancel the function.
- 🏠 Home Shield:
The fan is turned off with the light in the A-B-A cycle.
A mode: Light randomly turns on for 5-20 minutes.
B mode: Light is off for 60 minutes.
During home shield mode, press any other key to cancel the function.
- 🕒 Sleep Timer:
2H: The fan will turn off after 2 hours.
4H: The fan will turn off after 4 hours.
8H: The fan will turn off after 8 hours.
During sleep timer mode, tap the “⏻ ” key to exit sleep timer mode.



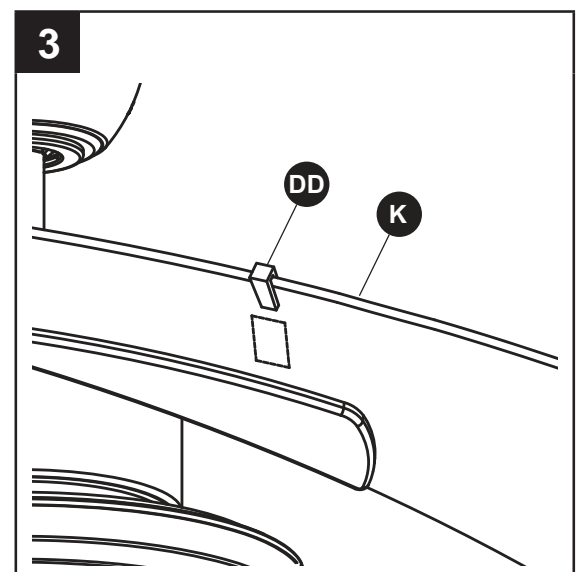
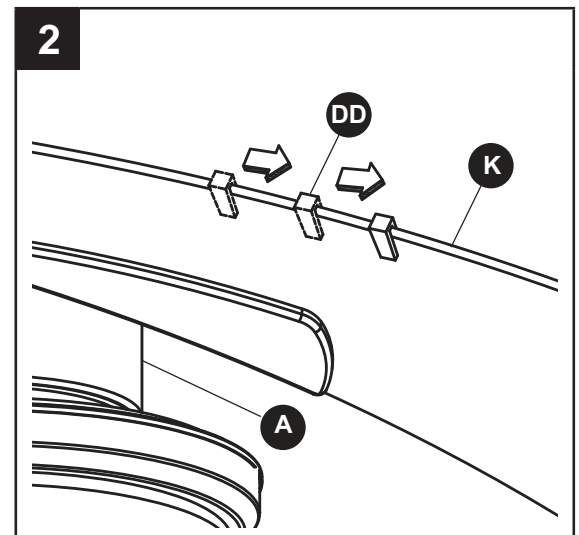
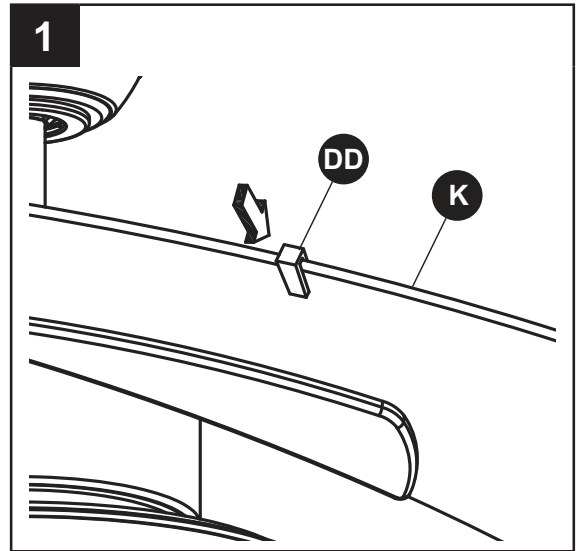
BLADE BALANCING INSTRUCTIONS

1. Interchanging positions of adjacent blades (K) can redistribute the weight and result in smoother operation. If wobble decreases, leave the blades (K) as they are. If wobble increases, switch back to the original position. Attach the balancing clip from the balance kit (DD) to the mid-point on the top edge of one blade (K).

⚠ WARNING: The balancing clip must always be firmly pushed onto the blade until it touches the edge of the blade. Failure to do so could allow the clip to fly off and cause personal injury.

2. Run the fan at high speed (air downflow) and observe wobble. Repeat steps 1 and 2 for each blade (K). Note which blade (K) has the least wobble. On that blade (K), install the balancing clip (DD) to the top edge of the blade (K) near the motor (A). Start the fan and observe wobble. Stop the fan and move the balancing clip (DD) in small steps toward the end of the blade (K). At each incremental step, turn on the fan and observe the wobble. Determine the location of the balancing clip (DD) that gives the least amount of wobble.

3. Peel the backing paper from one of the weighted squares in the balance kit (DD). Secure the weighted square in the balance kit (DD) firmly to the top of the blade (M), centered at the balancing clip location and between the edges of the blade (M). Remove the balancing clip, start the fan and observe. If the wobble still persists, repeat steps 1 through 3 with the remaining weighted squares until the wobble disappears.



CARE AND MAINTENANCE

⚠ WARNING: Do not use water when cleaning the ceiling fan. It could damage the motor or the finish and create the possibility of electrical shock.

- When cleaning, use only a soft brush or lint-free cloth to avoid scratching the finish.
- Abrasive cleaning agents are not required and should be avoided to prevent damage to the finish.
- Periodically check that all hardware is tight and secure.
- Periodic light dusting of the blades is recommended.
- Avoid using water, cleansers, or harsh rags, which can warp and ruin the finish.
- Bulb Replacement: Use 100-watt mini can-base bulb. Re-lamp with the appropriate wattage bulb. Do not exceed the wattage indicated on the bulb socket.



TROUBLESHOOTING

PROBLEM	POSSIBLE CAUSE	CORRECTIVE ACTION
The fan will not start.	<ol style="list-style-type: none"> 1. The fuse or circuit breaker is blown. 2. There are loose power line connections to the fan. 3. There is a dead battery in the remote control. 	<ol style="list-style-type: none"> 1. Check the main and branch circuit fuses or circuit breakers. 2. Check the line wire connections to the fan. ⚠ WARNING: Make sure the main power is turned off. 3. Replace with a new battery.
The fan sounds noisy.	<ol style="list-style-type: none"> 1. The blades are not attached to the fan. 2. There are loose screws in the motor housing. 3. The screws securing the fan blade holders to the motor hub are loose. 4. Wire connectors inside the housing are rattling. 5. There is a motor noise caused by a solid-state variable speed control. 6. The screws holding the blades to the blade holders are loose. 	<ol style="list-style-type: none"> 1. Attach the blades to the fan before operating. 2. Check to make sure all screws in the motor housing are snug (do not overtighten). 3. Check to make sure the screws that attach the fan blade holders to the motor hub are tight. 4. Check to make sure the wire connectors in the switch housing are not rattling against each other or against the interior wall of the switch housing. ⚠ WARNING: Make sure the main power is turned off. 5. Some fan motors are sensitive to signals from solid-state variable speed controls. Solid-state controls are not recommended, choose an alternative control method. 6. Tighten screws securely.



TROUBLESHOOTING

PROBLEM	POSSIBLE CAUSE	CORRECTIVE ACTION
The fan wobbles excessively.	<ol style="list-style-type: none"> 1. The set screw in the downrod support is loose. 2. The set screw in the in downrod/hanger ball assembly is loose. 3. The screws securing the fan blade holders to the motor hub are loose. 4. The hanger bracket and/or ceiling outlet box is not securely fastened. 5. The fan blades are out of balance. 	<ol style="list-style-type: none"> 1. Tighten the set screws securely in the downrod support. 2. Tighten the set screw in the downrod/hanger ball assembly. 3. Check to be sure the screws that attach the fan blade holders to the motor hub are tight. 4. Tighten the hanger bracket screws to the outlet box, and secure the outlet box. 5. Refer to Blade Balancing Instructions on page 19.
There is not enough air movement.	The downrod is too short.	If possible, consider using a longer downrod (not included).

WARRANTY

The manufacturer warrants this fan to be free from defects in workmanship and material present at time of shipment from the factory. The warranty terms from the date of purchase. The motor has a lifetime warranty, and a 2 year warranty for the light kit and all remaining components. This warranty applies only to the original purchaser. The manufacturer agrees to correct such defect at no charge or, at our option, replace the ceiling fan with a comparable or superior model.

To obtain warranty service, present a copy of your sales receipt as proof of purchase. All cost of removal and reinstallation are the expressed responsibility of the purchaser. Any damage to the ceiling fan by accident, misuse or improper installation, or by affixing accessories not produced by this warranty, are at the purchaser's own responsibility. The manufacturer assumes no responsibility whatsoever for fan installation during the lifetime limited warranty. Any service performed by an unauthorized person will render the warranty invalid.

Due to varying climate conditions, this warranty does not cover changes in brass finish, rusting, pitting, tarnishing, corroding, or peeling. Brass finish fans maintain their beauty when protected from varying weather conditions. Any glass provided with this fan is not covered by the warranty.

Any replacement of defective parts for the ceiling fan must be reported within the first year from the date of purchase. For the balance of the warranty, call our customer service department at 1-800-643-0067 for return authorization and shipping instructions so that we may repair or replace the ceiling fan. Any fan or parts returned improperly packaged is the sole responsibility of the purchaser. There is no further expressed warranty. The manufacturer disclaims any and all implied warranties. The duration of any implied warranty which can not be disclaimed is limited to the lifetime limited period as specified in our warranty. The manufacturer shall not be liable for incidental, consequential or special damages arising at or in connection with product use or performance except as may otherwise be accorded by law. This warranty gives you specific legal rights and you also have other rights which vary from state to state. This warranty supersedes all prior warranties.

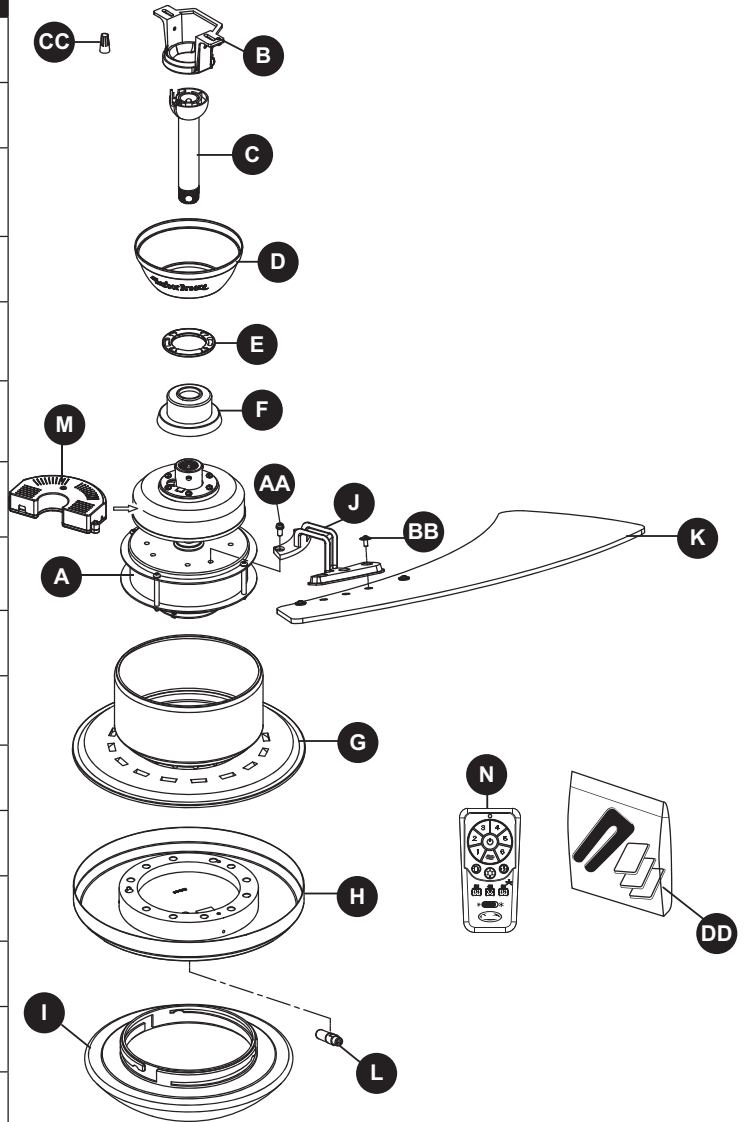
Note: A small amount of "wobble" is normal and should not be considered a defect.



REPLACEMENT PARTS LIST

For replacement parts, call our customer service department at 1-800-643-0067, 8 a.m. - 6 p.m., EST, Monday - Thursday, 8 a.m. - 5 p.m., EST, Friday.

PART	DESCRIPTION	PART #
A	Motor	AMA8294LBN
B	Hanger Bracket	APGAC110RBL
C	Hanger Ball/ Downrod Assembly	ADRACT1-6LBN
D	Ceiling Canopy	PPAC1005LBN
E	Canopy Screw Cover	APPAC1101LBN
F	Motor Coupling Cover	APPAC1403LBN
G	Lower Hosing Assembly	AP829404LBN
H	Socket Plate Assembly	AP829405LBN
I	Glass	P815008OP
J	Blade Holder Arm	AP815002- 16LBN
K	Blade	AP815004WA
L	Bulb	PPE11B100
M	Receiver Unit	REDC8294
N	Remote	TR17
AA	Screw	HDWBH8150NI
BB	Washer Head Screw	HDWBM8150NI
CC	Wire Connector	HDWWNUTS4
DD	Balance Kit	LBALKT



Printed in China

Harbor Breeze® is a registered trademark of LF, LLC. All Rights Reserved.



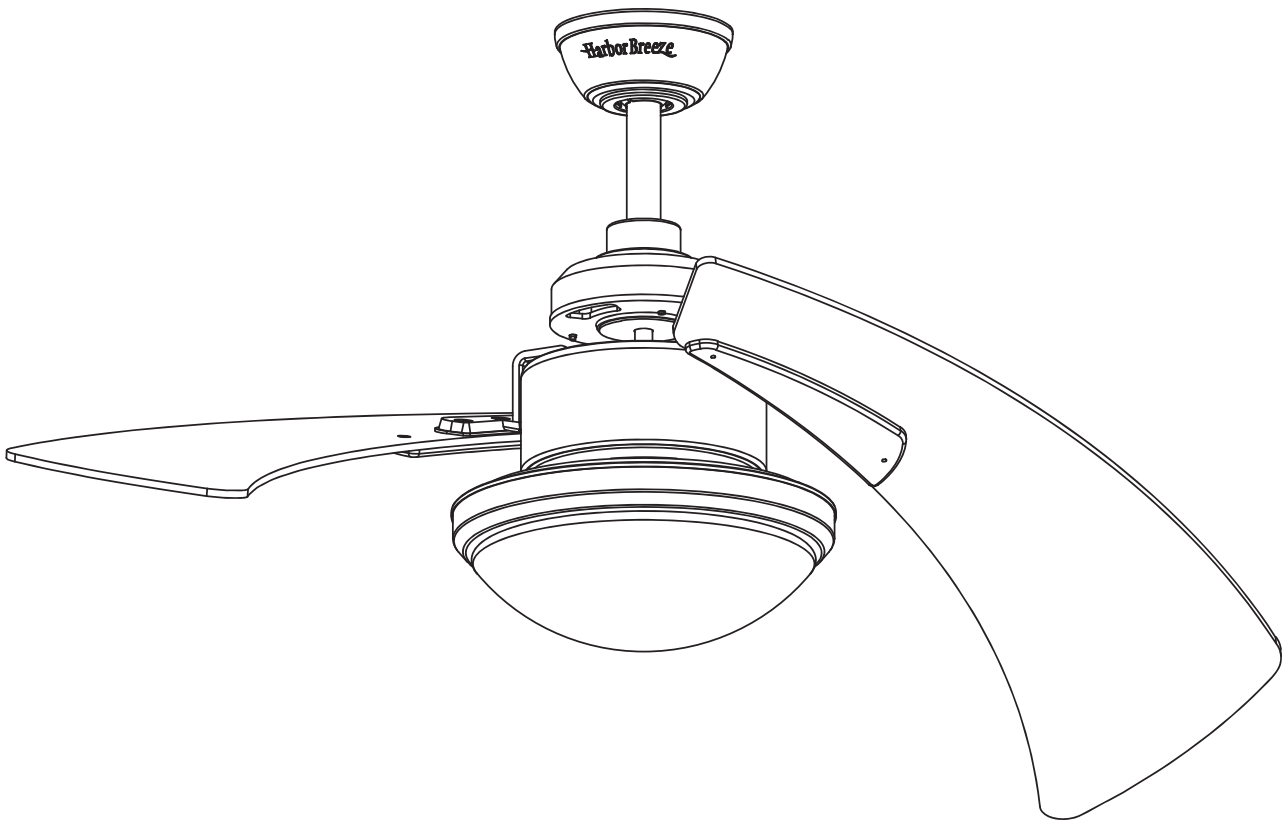


ARTÍCULO # 0464466

VENTILADOR DE TECHO SANTA ANA

MODELO # LP8294LBN

Harbor Breeze® es una marca registrada de LF, LLC. Todos los derechos reservados.



ADJUNTE SU RECIBO AQUÍ

Número de serie _____ Fecha de compra _____



¿Preguntas, problemas, piezas faltantes? Antes de volver a la tienda, llame a nuestro Departamento de Servicio al Cliente al 1-800-643-0067, de lunes a jueves de 8 a.m. a 6 p.m., y los viernes de 8 a.m. a 5 p.m., hora estándar del Este.

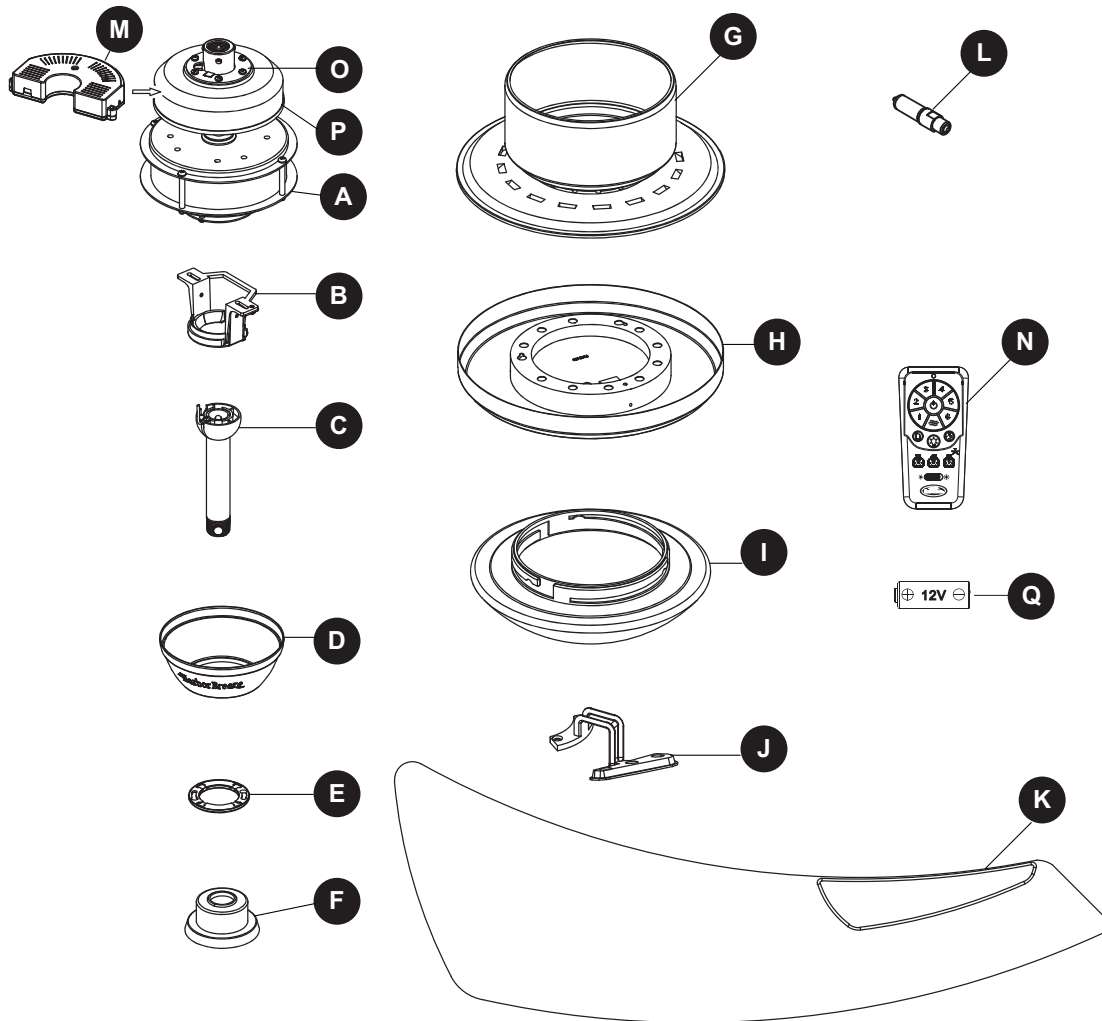


ÍNDICE

Contenido del paquete	26
Aditamentos	27
Información de seguridad	28
Preparación	29
Instrucciones de ensamblaje iniciales	30
Instrucciones de cableado	36
Instrucciones de ensamblaje finales	37
Instrucciones de funcionamiento	39
Instrucciones para equilibrar las aspas	42
Cuidado y mantenimiento	43
Solución de problemas.	44
Garantía	45
Lista de piezas de repuesto	46



CONTENIDO DEL PAQUETE



PIEZA	DESCRIPCIÓN	CANTIDAD
A	Motor	1
B	Abrazadera para colgar	1
C	Varilla	1
D	Base para techo	1
E	Cubierta para el tornillo de la base	1
F	Cubierta para el acoplador del motor	1
G	Ensamble de carcasa inferior	1
H	Ensamble de la placa del portalámpara	1

PIEZA	DESCRIPCIÓN	CANTIDAD
I	Vidrio	1
J	Brazo de soporte del aspa	2
K	Aspa	2
L	Bombilla	1
M	Receptor (preensamblado en el motor (A))	1
N	Control remoto	1
O	Arandela del acoplador del motor (preensamblada en el motor (A))	1
P	Cubierta de la carcasa superior (preensamblada en el motor (A))	1
Q	Batería	1

ADITAMENTOS (se muestran en tamaño real)

AA



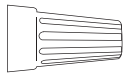
Tornillo
Cant. 5

BB



Tornillo con
cabeza de
arandela
Cant. 7

CC



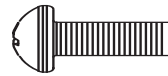
Conector de
cables
Cant. 4

DD



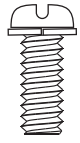
Kit de
equilibrio (no
se muestra en
tamaño real)
Cant. 1

EE



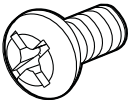
Tornillo de fijación del
soporte de la varilla
(preensamblado
en el motor (A))
Cant. 2

FF



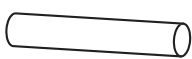
Tornillo de la
cubierta de
la carcasa
superior
(preensamblado
en el motor (A))
Cant. 6

GG



Bola para colgar
(preensamblada
en la varilla (C))
Cant. 1

HH



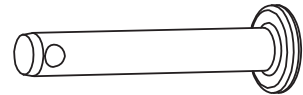
Pasador de la
bola para colgar
(preensamblado
en la varilla (C))
Cant. 1

II



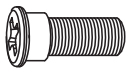
Sujetador de la varilla
(preensamblado
en la varilla (C))
Cant. 1

JJ



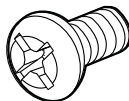
Pasador de la varilla
(preensamblado en la varilla (C))
Cant. 1

KK



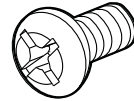
Tornillo de reborde
(preensamblado en la
abrazadera para colgar (B))
Cant. 2

LL



Tornillo de la placa del
adaptador (preensamblado
en el motor (A))
Cant. 3

MM



Tornillo del ensamble de la placa del
portalámpara (preensamblado en el
ensamble de carcasa inferior (G))
Cant. 3

INFORMACIÓN DE SEGURIDAD

Lea y comprenda completamente este manual antes de intentar ensamblar, usar o instalar el producto.

- Antes de comenzar la instalación del ventilador, desconecte la alimentación eléctrica retirando los fusibles o colocando el interruptor de circuito en la posición de apagado.
- Asegúrese de que todas las conexiones eléctricas cumplan con los códigos u ordenanzas locales o el Código Eléctrico Nacional. Si no está familiarizado con la instalación del cableado eléctrico, contrate a un electricista calificado o consulte un manual de cableado para hacerlo usted mismo.
- Asegúrese de que en el lugar de instalación que elija se pueda establecer una distancia mínima de 2,13 m desde las aspas hasta el piso, y al menos 76,20 cm desde los extremos de las aspas hasta cualquier obstáculo.
- Si va a montar el ventilador en una caja de salida del techo, use una caja de salida octogonal de METAL.
- Asegure la caja directamente a la estructura del edificio. La caja de salida y su soporte deben ser capaces de sostener el peso del ventilador en movimiento (al menos 15,88 kg). NO use una caja de salida de plástico.
- Una vez instalado el ventilador, asegúrese de que todas las conexiones sean seguras a fin de evitar que se caiga.
- En lo que respecta a las conexiones de suministro, si el conductor del ventilador está identificado como conductor con conexión a tierra, se le debe conectar a un suministro de electricidad con conductor de puesta a tierra. Si el conductor del ventilador está identificado como conductor que no es de puesta a tierra, se le debe conectar a un suministro de electricidad con conductor sin puesta a tierra. Si el conductor del ventilador está identificado para equipos de puesta a tierra, se le debe conectar al conductor de equipos de puesta a tierra.
- Este dispositivo cumple con la sección 15 de las reglas de la FCC. El funcionamiento está sujeto a las siguientes dos condiciones: (1) Este dispositivo no debe causar interferencia perjudicial, y (2) deberá aceptar cualquier interferencia recibida, incluida la interferencia que pudiese causar la operación no deseada.

Nota: Este equipo ha sido probado y se ha verificado que cumple con los límites para un dispositivo digital clase B, conforme a la sección 15 de las regulaciones de la FCC. Estos límites se han diseñado para proporcionar una protección razonable contra la interferencia perjudicial en una instalación residencial. Este equipo genera, usa y puede irradiar energía de radiofrecuencia y, si no se instala y usa de acuerdo con las instrucciones, puede causar interferencia perjudicial a la recepción de radio o televisión, lo que se puede determinar al apagar y encender el equipo. Se recomienda al usuario que intente corregir la interferencia con una o más de las siguientes medidas:

- Reoriente o reubique la antena de recepción.
- Aumente la separación entre el equipo y el receptor.
- Conecte el equipo a un tomacorriente de un circuito distinto al que usa el receptor.
- Solicite ayuda al concesionario o a un técnico con experiencia en radio/TV.

Nota: Para un dispositivo digital clase A, las declaraciones de 15. 105(a) deben estar incluidas cuando corresponde para el dispositivo en cuestión.

- El peso neto de este ventilador es: 9,40 kg

ADVERTENCIA:

- No instale ni use este ventilador si falta alguna pieza o si éstas están dañadas.
- Para reducir el riesgo de incendios, descargas eléctricas o lesiones personales, los conectores de cables proporcionados con este ventilador están diseñados para soportar solo un cable de la casa de calibre 12 y dos cables conductores del ventilador. Si el cable de su casa es de un calibre superior a 12 o hay más de un cable para conectar los dos cables conductores del ventilador, pregúntele a un electricista cuál es el tamaño adecuado de los conectores de cables que debe utilizar. Antes de cortar, taladrar o martillar, verifique la ubicación de las mismas. Póngase en contacto con su electricista, plomero o con un técnico calificado si es necesario.

INFORMACIÓN DE SEGURIDAD

- Para reducir el riesgo de incendios, descargas eléctricas o lesiones personales, no doble los brazos de las aspas al instalarlas, al equilibrarlas o al limpiar el ventilador. No introduzca objetos extraños entre las aspas en movimiento. Monte el ventilador en una caja de salida marcada como “ACCEPTABLE FOR FAN SUPPORT” (APTA PARA SOPORTE DE VENTILADOR) y use los tornillos de montaje que se proporcionan con la caja de salida. La mayoría de las cajas de salida que se usan comúnmente para sostener ensambles de iluminación no son aptas para sostener un ventilador y puede ser necesario reemplazarlas. Si tiene dudas, consulte a un electricista calificado.
- Este ventilador es apto solo para lugares secos.

PREPARACIÓN

Antes de comenzar a ensamblar el producto, asegúrese de tener todas las piezas. Compare las piezas con la lista del contenido del paquete y la lista de aditamentos. No intente ensamblar el producto si falta alguna pieza o si éstas están dañadas.

Tiempo estimado de ensamblaje: 60 minutos

Herramientas necesarias para el ensamblaje (no se incluyen): Destornillador Phillips, destornillador de cabeza plana de 1/4”, pinzas pelacables y escalera de tijera.

Herramientas útiles (no se incluyen): Luz de prueba CA, manual de cableado para hacerlo usted mismo y pinzas cortacables.

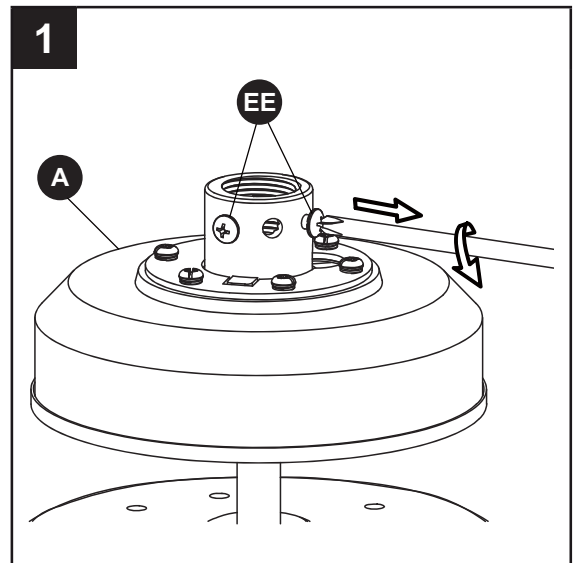
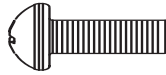


INSTRUCCIONES DE ENSAMBLAJE INICIALES

1. Retire los dos tornillos de fijación preensamblados en el soporte de la varilla (EE) en el soporte de la varilla del motor (A). Guarde los tornillos para más adelante.

Aditamentos utilizados

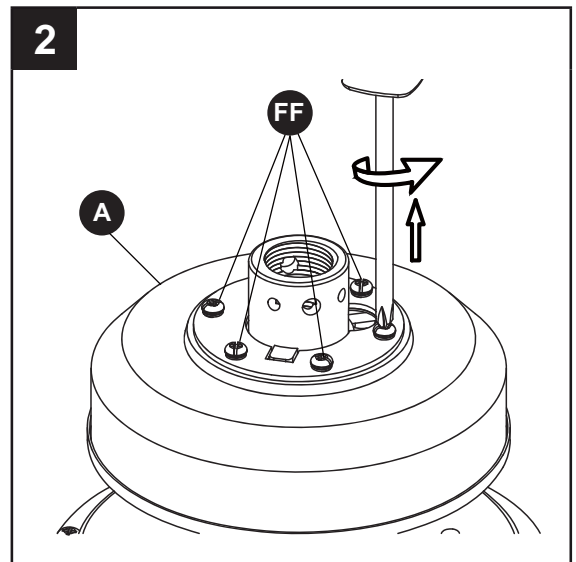
- EE** Tornillos de fijación del soporte de la varilla x 2



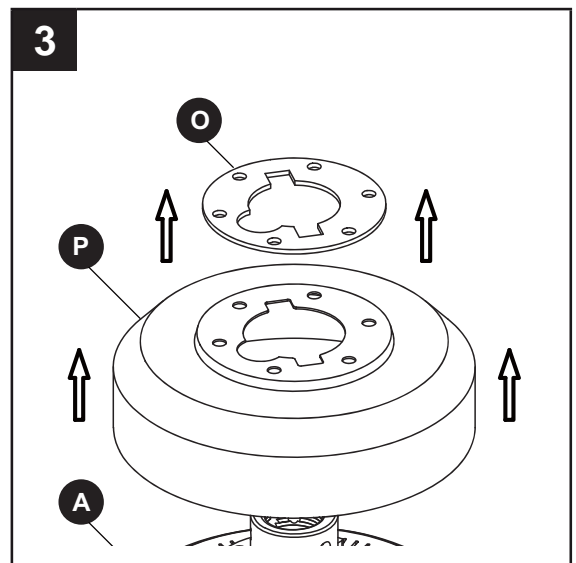
2. Retire los tornillos preensamblados en la carcasa superior (FF) de la parte superior del motor (A). Guarde estos tornillos para más adelante.

Aditamentos utilizados

- FF** Tornillos de la cubierta de la carcasa superior x 6



3. Retire la arandela del acoplador del motor (O) y la cubierta de la carcasa superior (P) del motor (A).



INSTRUCCIONES DE ENSAMBLAJE INICIALES

4. Coloque el brazo de soporte del aspa (J) en el motor (A) con los postes roscados que se muestran. Asegúrese de que el borde inferior del brazo de soporte del aspa (J) esté completamente asentado sobre el volante del motor (A). Fije los tornillos (AA) para asegurar el brazo de soporte del aspa (J) al volante del motor (A). Repita los pasos para el otro brazo de soporte del aspa (J).

⚠ ADVERTENCIA: Para reducir el riesgo de lesiones personales, no doble los soportes de las aspas al instalarlos, equilibrar las aspas, o limpiar el ventilador. No introduzca objetos extraños entre las aspas en movimiento.

Aditamentos utilizados

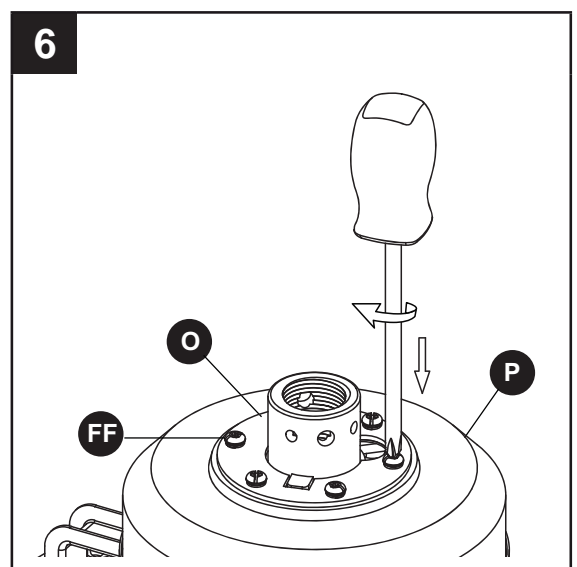
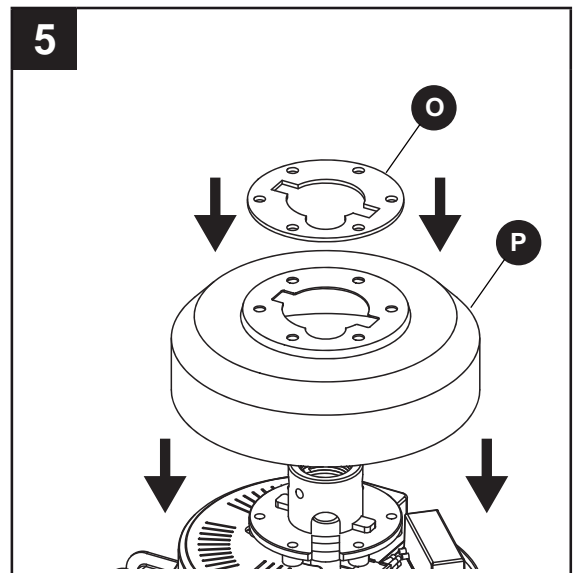
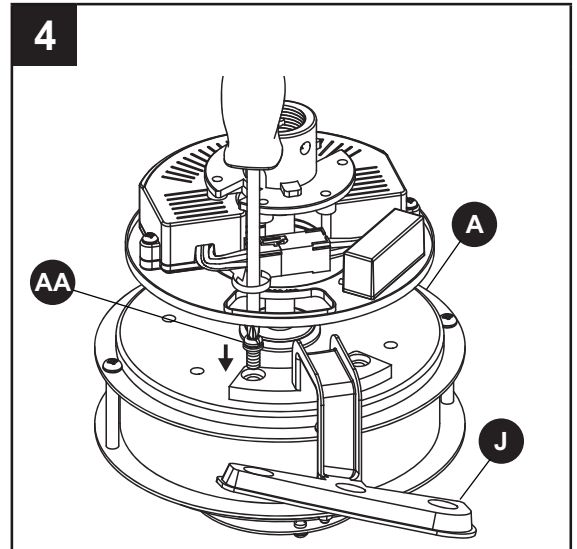
AA Tornillo  x 4

5. Vuelva a ensamblar la cubierta de la carcasa superior (P) y la arandela del acoplador del motor (O) en el motor (A).

6. Fije la arandela del acoplador del motor (O) y la cubierta de la carcasa superior (P) con los tornillos de la cubierta de la carcasa superior que retiró previamente (FF). Apriete con firmeza.

Aditamentos utilizados

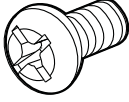

FF Tornillo de la cubierta de la carcasa superior  x 6

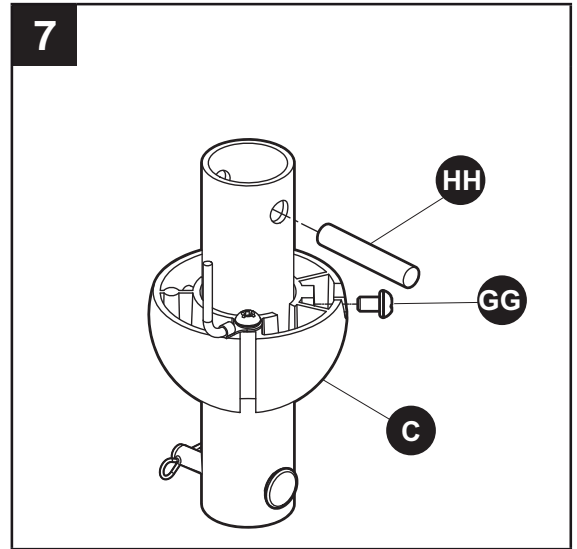


INSTRUCCIONES DE ENSAMBLAJE INICIALES

7. Afloje el tornillo de fijación de la bola para colgar preensamblada (GG) hasta que salga libremente de la varilla (C). Retire el pasador de la bola para colgar preensamblado (HH) de la varilla (C) y retire la parte de la varilla que posee la bola para colgar (C). Guarde el pasador de la bola para colgar (HH) y la bola para colgar para pasos posteriores.


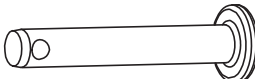
Aditamentos utilizados

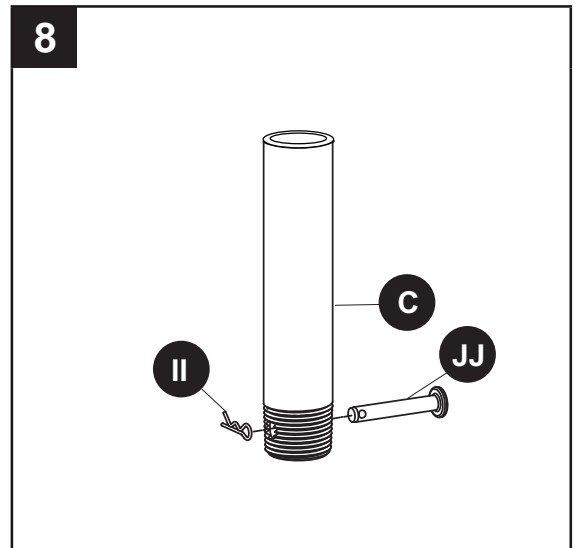
- | | | | |
|-----------|--|---|-----|
| GG | Tornillo de fijación de bola para colgar |  | x 1 |
| HH | Pasador de la bola para colgar |  | x 1 |



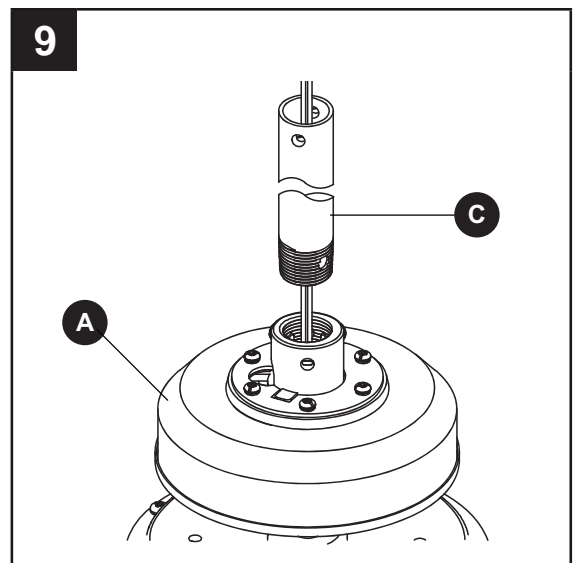
8. Retire el pasador preensamblado de la varilla (II) y el pasador de la varilla (JJ) de la parte inferior de la varilla (C). Guarde estas dos piezas para los pasos posteriores.

Aditamentos utilizados

- | | | | |
|-----------|-------------------------|---|-----|
| II | Sujetador de la varilla |  | x 1 |
| JJ | Pasador de la varilla |  | x 1 |



9. Pase los conductores negro y blanco desde el motor (A) a través de la varilla (C).

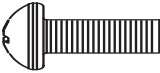

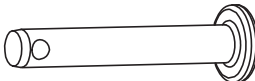


INSTRUCCIONES DE ENSAMBLAJE INICIALES

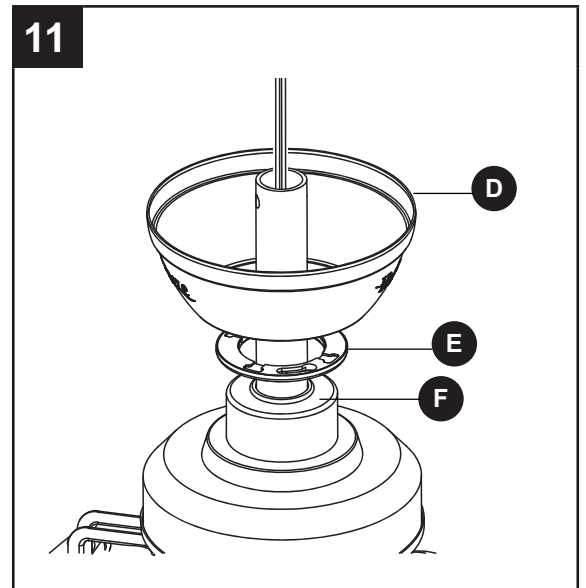
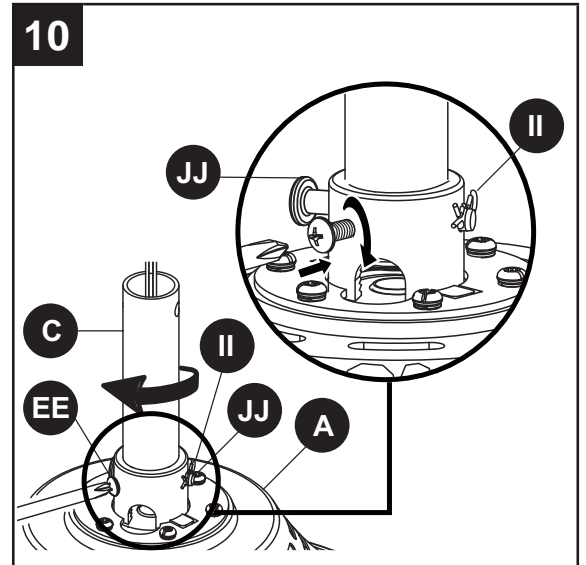
10. Enrosque la varilla (C) en el soporte de la varilla del motor (A). Alinee los orificios en el soporte de la varilla del motor (A) con los orificios en la varilla (C) y vuelva a instalar el pasador de la varilla (JJ). Fije el pasador de la varilla (JJ) y el sujetador de la varilla (II). Vuelva a instalar los dos tornillos de fijación del soporte de la varilla (EE) y apriételos firmemente al soporte de la varilla del motor (A).

⚠ ADVERTENCIA: Es fundamental que instale correctamente el pasador de la varilla (JJ), y que apriete firmemente los tornillos de fijación del soporte de la varilla (EE). El incumplimiento de dicho paso podría hacer que el ventilador se caiga.

Aditamentos utilizados

EE	Tornillo de fijación del soporte de la varilla		x 2
II	Sujetador de la varilla		x 1
JJ	Pasador de la varilla		x 1

11. Pase los cables a través de la cubierta del acoplador del motor (F), la cubierta del tornillo de la base (E) y la base para techo (D).



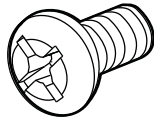
INSTRUCCIONES DE ENSAMBLAJE INICIALES

12. Pase los cables por la bola para colgar que retiró anteriormente. Coloque el pasador de la bola para colgar que retiró anteriormente (HH) a través de los dos orificios de la varilla (C) y alinee la bola para colgar para que el pasador (HH) quede inserto en la ranura de la parte superior de la varilla (C). Jale la bola para colgar firmemente al pasador (HH). Fije bien el tornillo de fijación de la bola para colgar preensamblada (GG).

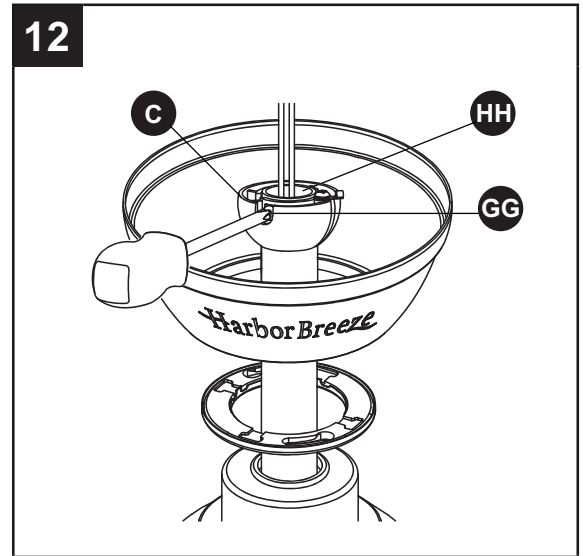
PRECAUCIÓN: Un tornillo de fijación flojo podría hacer que el ventilador se tambalee.

Aditamentos utilizados

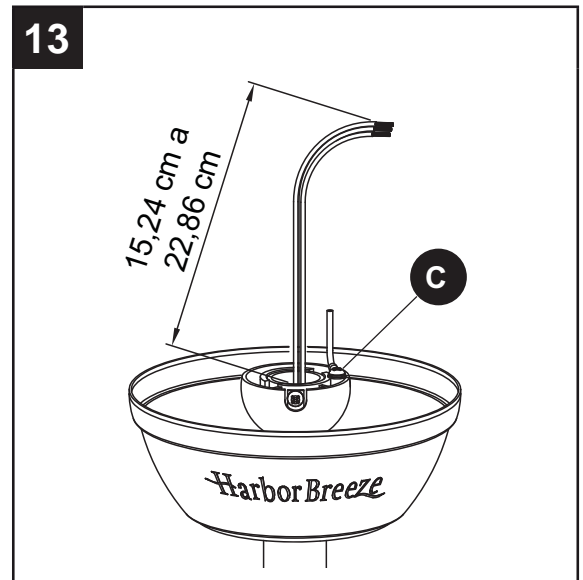
GG Tornillo de fijación de bola para colgar x 1



HH Pasador de la bola para colgar x 1



13. Corte el excedente del cable conductor aproximadamente en unos 15,24 cm a 22,86 cm por sobre la parte superior de la varilla (C). Pele 1,27 cm del aislamiento del extremo de cada cable conductor.



INSTRUCCIONES DE ENSAMBLAJE INICIALES

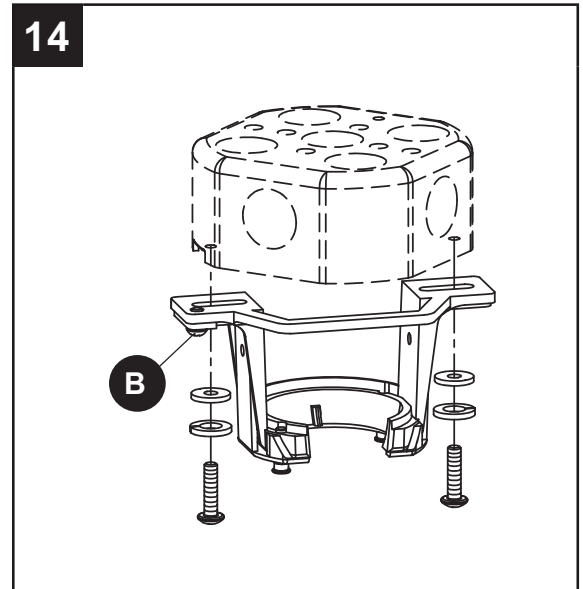
⚠️ ADVERTENCIA: Para evitar una posible descarga eléctrica, asegúrese de cortar la alimentación eléctrica de la caja de fusibles principal antes de colgar el ventilador.

⚠️ ADVERTENCIA: Si no está seguro de si la caja de salida tiene puesta a tierra, solicite ayuda a un electricista certificado, ya que debe tener puesta a tierra para un funcionamiento seguro.

⚠️ ADVERTENCIA: Debe colgar el ventilador a una distancia mínima de 2,13 m desde el piso hasta las aspas.

14. Fije bien la abrazadera para colgar (B) a la caja de salida (no se incluye) con los tornillos y las arandelas provistas con la caja de salida.

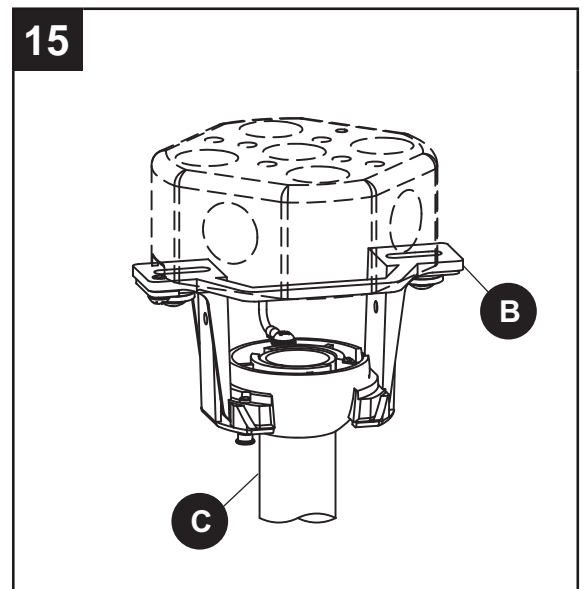
⚠️ ADVERTENCIA: La caja de salida debe estar bien asegurada. La abrazadera para colgar debe estar bien asentada contra la caja de salida. Si la caja de salida está empotrada, retire el panel de fibra prensada hasta que la abrazadera haga contacto con la caja. Si la abrazadera y/o la caja de salida no están bien aseguradas, el ventilador podría tambalearse o caerse.



15. Levante cuidadosamente el ensamble del ventilador y coloque la bola para colgar de la varilla (C) en la abrazadera para colgar (B). Asegúrese de que la ranura de la bola esté alineada con la lengüeta de la abrazadera para colgar (B).

⚠️ ADVERTENCIA: Si no coloca la lengüeta en la ranura, podrían dañarse los cables eléctricos y podrían ocurrir incendios o descargas eléctricas.

⚠️ ADVERTENCIA: Para evitar una posible descarga eléctrica, no apriete los cables entre el ensamble de la bola para colgar y la abrazadera para colgar.



INSTRUCCIONES DE CABLEADO

⚠️ ADVERTENCIA: Para evitar una posible descarga eléctrica, asegúrese de cortar la alimentación eléctrica de la caja de fusibles principal antes de colgar el ventilador.

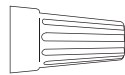
⚠️ ADVERTENCIA: Si no está seguro de si la caja de salida tiene puesta a tierra, solicite ayuda a un electricista certificado, ya que debe tener puesta a tierra para un funcionamiento seguro.

1. Conecte el conductor verde con conexión a tierra de la varilla (C) y el conductor verde con conexión a tierra de la abrazadera para colgar (B) al conductor de suministro con conexión a tierra (posiblemente un conductor desnudo o un cable con aislante verde). Conecte bien los conductores con un conector de cables (CC). Conecte de forma segura el conductor blanco del motor del ventilador al conductor blanco (neutro) y fije la conexión con el conector de cables (CC). Conecte de forma segura el conductor negro del motor del ventilador al conductor negro y fije la conexión con el conector de cables (CC).

Aditamentos utilizados



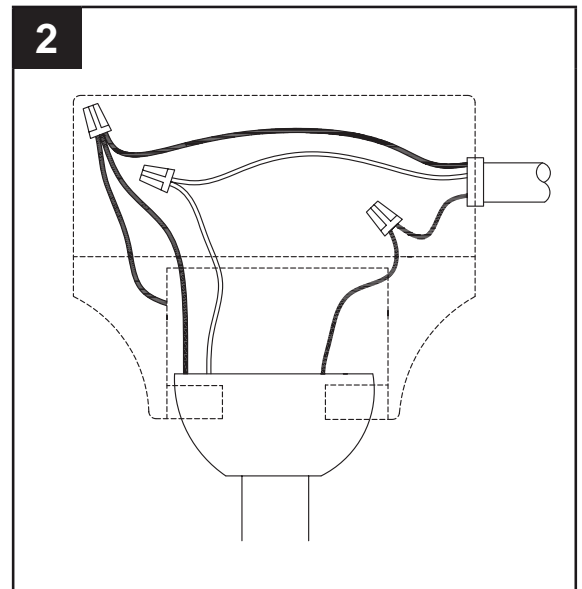
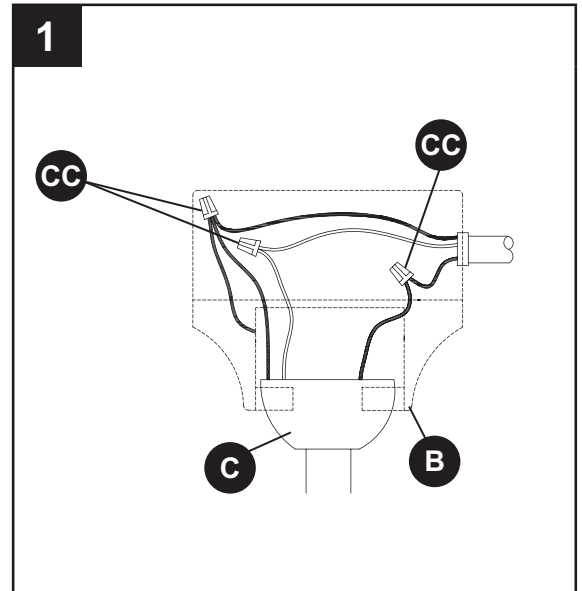
Conector de cables



x 3

2. Una vez realizadas las conexiones, gire los conductores hacia arriba y, con cuidado, colóquelos dentro de la caja de salida; con los conductores blancos y verdes hacia un lado y los conductores negros hacia el otro.

⚠️ ADVERTENCIA: Verifique que todas las conexiones estén ajustadas, incluida la conexión a tierra, y que no haya conductores desnudos visibles en los conectores excepto el conductor con conexión a tierra. No opere el ventilador hasta que las aspas estén instaladas. Podría ocasionar ruidos y daños al motor.



INSTRUCCIONES DE ENSAMBLAJE FINALES

1. Retire uno de los dos tornillos de reborde preensamblados (KK) de la abrazadera para colgar (B). Afloje el segundo tornillo de reborde (KK) sin retirarlo del todo. Gire la base para techo (D) de modo que el segundo tornillo de reborde (KK) se desplace a la abertura pequeña del chavetero. Apriete el tornillo de reborde (KK).
Vuelva a instalar el tornillo de reborde que retiró anteriormente (KK) para ensamblar por completo la base para techo (D) a la abrazadera para colgar (B).

⚠ ADVERTENCIA: Para evitar una posible descarga eléctrica o incendio, asegúrese de colocar los cables eléctricos completamente dentro de la carcasa de la base y de no apretarlos entre la carcasa y el techo.

Aditamentos utilizados

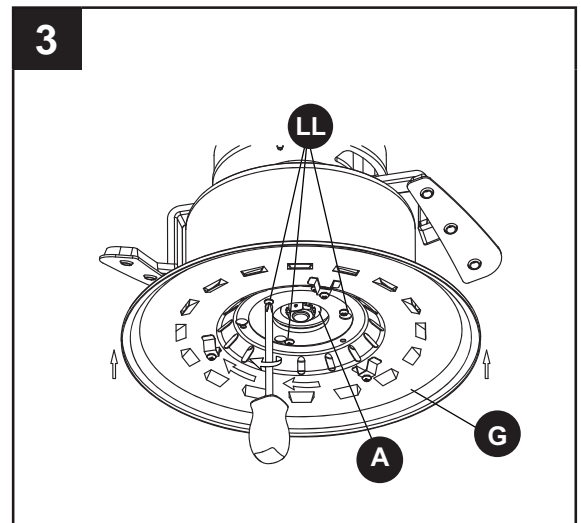
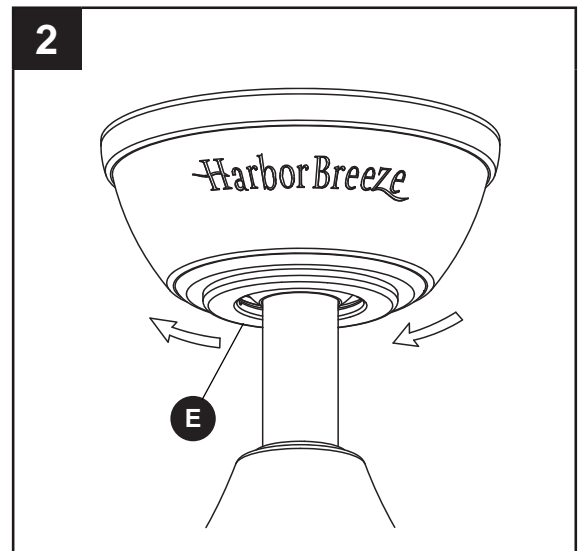
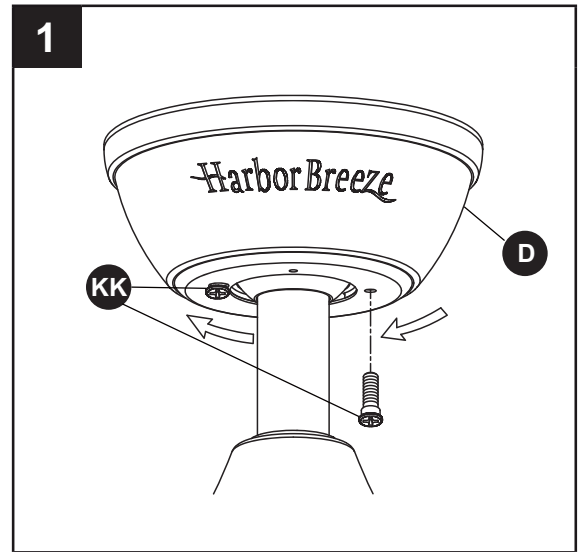
KK Tornillo de reborde  x 1

2. Coloque y ajuste firmemente la cubierta para el tornillo de la base (E) sobre los tornillos de reborde (KK) de la abrazadera para colgar (B), mediante el mecanismo de seguro por giro del chavetero.

3. Retire uno de los tres tornillos preensamblados en la placa del adaptador (LL) dentro de la placa del adaptador en la parte inferior del motor (A). Afloje ligeramente los dos tornillos restantes de la placa del adaptador (LL).
Ensamble el ensamble de la placa de iluminación (G) en la placa del adaptador del motor (A) mediante los dos chaveteros del ensamble de la placa de iluminación (G).
Vuelva a colocar el tercer tornillo de la placa del adaptador (LL) y apriete todos los tornillos de la placa del adaptador (LL).

Aditamentos utilizados

LL Tornillo de la placa del adaptador  x 3

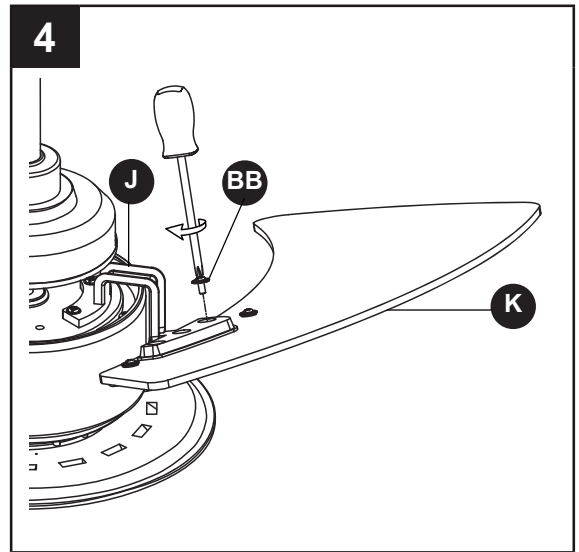


INSTRUCCIONES DE ENSAMBLAJE FINALES

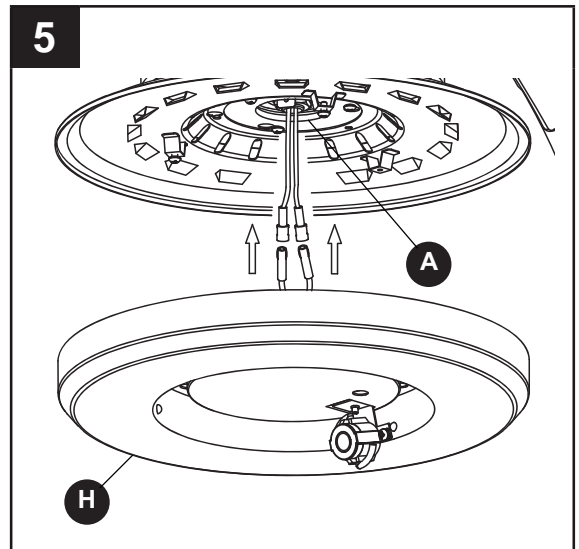
4. Coloque un aspa (K) en la parte inferior de un brazo de soporte del aspa (J), colocando los orificios sobre los postes roscados. Apriete los tornillos con cabeza de arandela (BB) para asegurar el aspa (K) y el brazo del soporte del aspa (J). Repite el procedimiento para la otra aspa (K).

Aditamentos utilizados

BB Tornillo con cabeza de arandela x 6



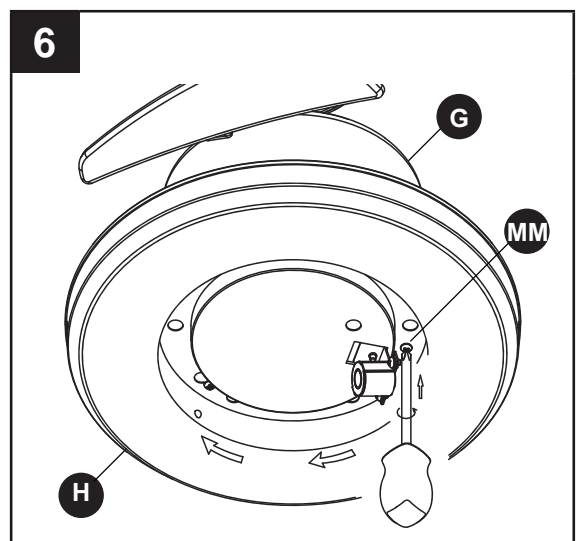
5. Enchufe los conectores de los pasadores del ensamble de la placa del portalámpara (H) a los conectores de los pasadores del motor (A).



6. Retire uno de los tornillos preensamblados del ensamble de la placa del portalámpara (MM) al interior del ensamble de la carcasa inferior (G). Coloque el ensamble de la placa del portalámpara (H) en el ensamble de la carcasa inferior (G) usando los dos chaveteros del ensamble de la placa del portalámpara (H). Vuelva a colocar el tercer tornillo del ensamble de la placa del portalámpara (MM) y apriete firmemente los tres tornillos.

Aditamentos utilizados

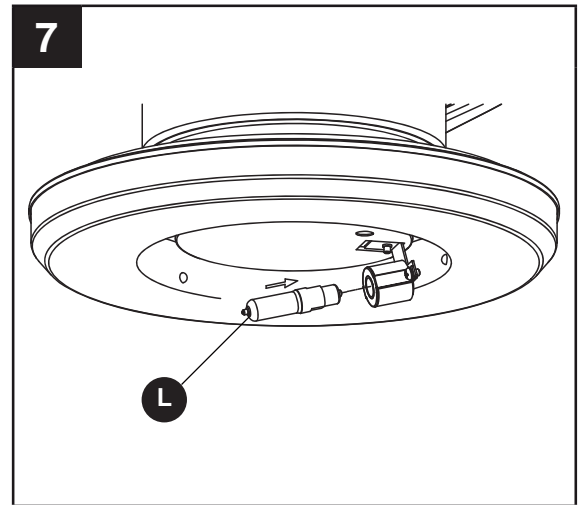
MM Tornillo del ensamble de la placa del portalámpara x 3



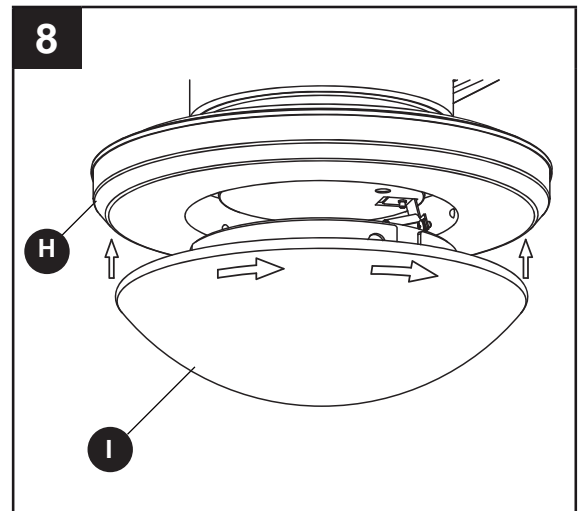
INSTRUCCIONES DE ENSAMBLAJE FINALES

7. Instale la bombilla (L) en el portalámpara.

PRECAUCIÓN: Las bombillas están presurizadas y pueden quebrarse. NO TOQUE LAS BOMBILLAS CON LAS MANOS DESPROTEGIDAS. Las huellas dactilares en la bombilla pueden reducir la vida útil de la misma. Elimine las huellas dactilares con alcohol antes de usar la bombilla. Para disminuir el riesgo de incendios, utilice una bombilla minican de tungsteno halógena tipo T4 JD E11 de 100 vatios como máximo. Apague el interruptor de pared y deje enfriar la bombilla durante 10 minutos antes de cambiarla.

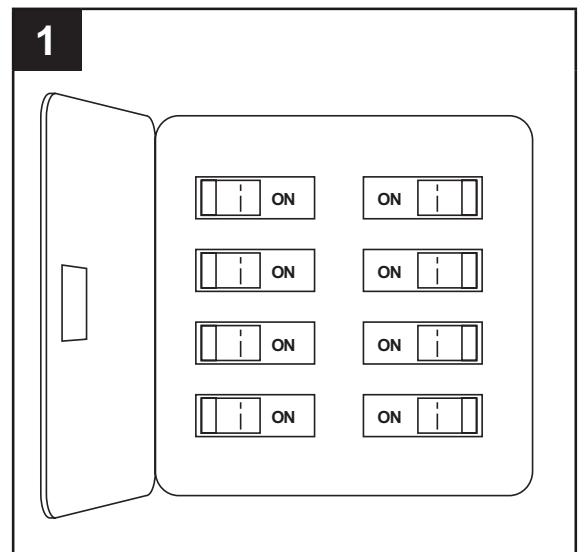


8. Fije firmemente el vidrio (I) girándolo en dirección de las manecillas del reloj en el ensamble de la placa del portalámpara (H). No apriete demasiado ni fuerce.



INSTRUCCIONES DE FUNCIONAMIENTO

1. Restablezca la alimentación eléctrica en la caja de salida volviendo a conectar la electricidad de la caja de fusibles principal.

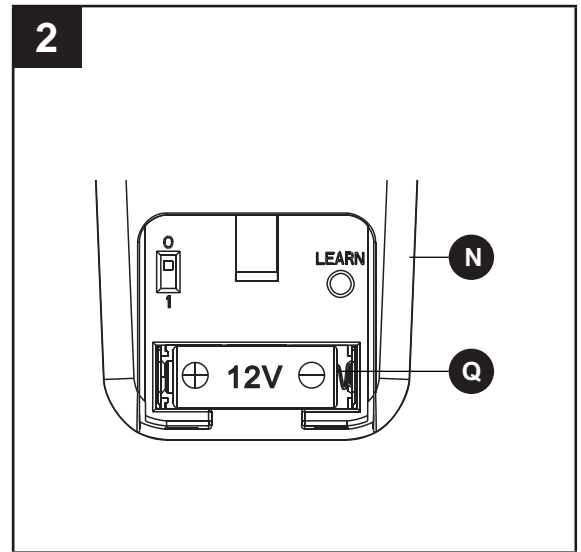


INSTRUCCIONES DE FUNCIONAMIENTO

2. Retire la tapa de la batería del control remoto (N) e instale la batería (O), y asegúrese de que la polaridad de la batería (Q) sea igual a la polaridad del compartimiento para las mismas. Coloque de nuevo la cubierta de la batería.

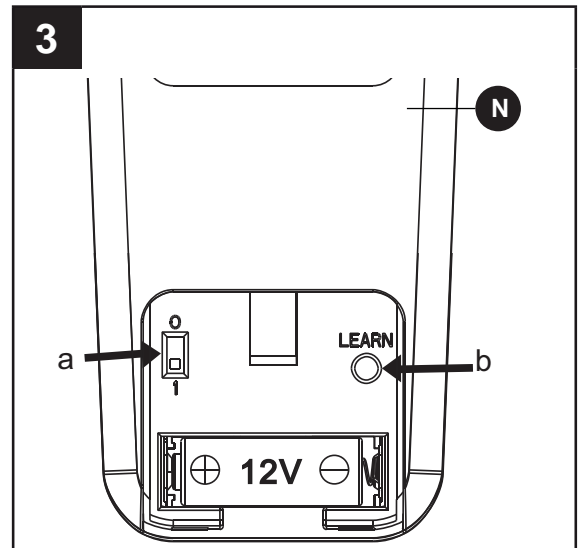
Nota: Cuando sea el momento de reemplazar la batería (Q), use una de 12 voltios.

PRECAUCIÓN: Si el producto no se usará por un período prolongado, retire la batería para evitar que se dañe el control remoto. Asegúrese de almacenar el control remoto alejado del calor y humedad extremos.



3. Siga estos pasos para ajustar el control remoto (N):
 - a) Deslice el interruptor DIP a "1" dentro del compartimiento de la batería y apague el ventilador. Encienda la alimentación. El receptor del ventilador (M) debe emitir dos sonidos musicales, que indican que el suministro de electricidad es normal.
 - b) En menos de 30 segundos, presione el botón "LEARN" en la parte posterior del control remoto (N). El control remoto y el ventilador deben estar sincronizados.

Para verificar que la sincronización se haya realizado bien, la luz del ventilador de techo titilará 3 veces y permanecerá encendida, mientras que el ventilador girará a alta velocidad.



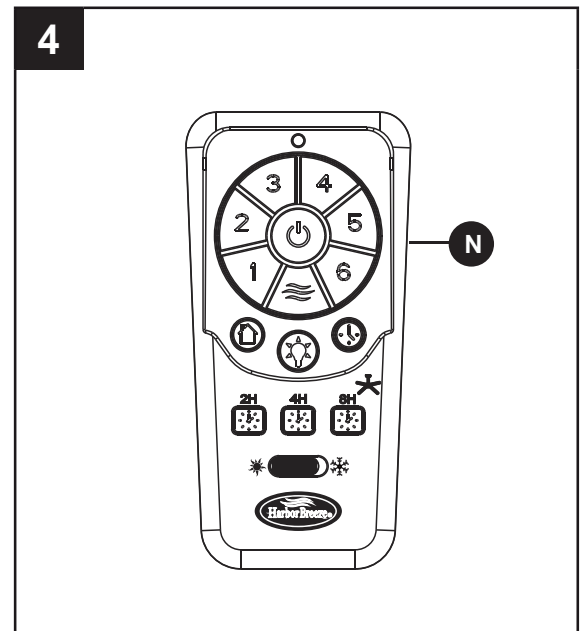
INSTRUCCIONES DE FUNCIONAMIENTO

4. Funciones del control remoto (N):

- Velocidad del ventilador:
1 = Velocidad mínima 2 = Velocidad baja
3 = Velocidad media baja 4 = Velocidad media
5 = Velocidad media alta 6 = Velocidad alta
≡ = Brisa natural

Presione cualquiera de los botones “⏻/1/2/3/4/5/6” para salir del modo brisa natural y cambiar a la función relativa del botón.

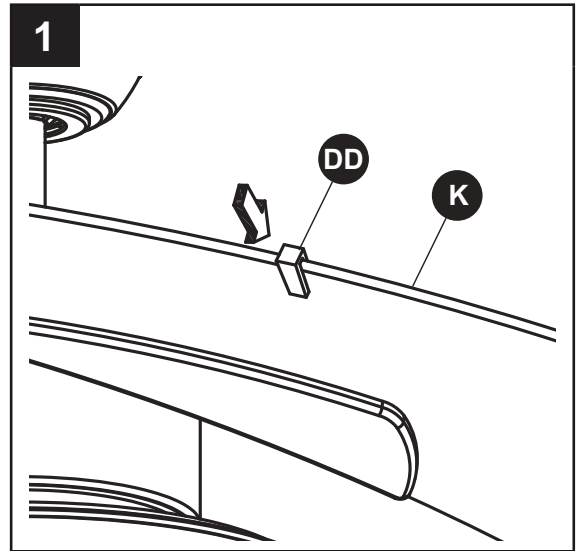
- ⏻ Botón:
Apaga el ventilador.
Mantenga presionado el botón “⏻” para encender/apagar el indicador de sonido.
- *🔄 Botón de reversa:
Controla la dirección del ventilador.
- 💡 Botón de la lámpara:
Enciende o apaga la luz. Mantenga presionado para regular la intensidad.
- ⌚ Luz de retardo con sensor de movimiento:
Apaga el ventilador y la luz después de 1 minuto.
Durante el modo luz de retardo con sensor de movimiento, presione cualquier otro botón para cancelar la función.
- 🏠 Home Shield:
El ventilador está apagado con la luz en el ciclo A-B-A.
Modo A: La luz se enciende de forma aleatoria por entre 5 y 20 minutos.
Modo B: La luz se apaga durante 60 minutos.
Durante el modo Home Shield, presione cualquier otro botón para cancelar la función.
- 🕒 Temporizador de apagado automático:
2H: El ventilador se apagará después de 2 horas.
4H: El ventilador se apagará después de 4 horas.
8H: El ventilador se apagará después de 8 horas.
Durante el modo de temporizador de apagado automático, presione la tecla “⏻” para salir.



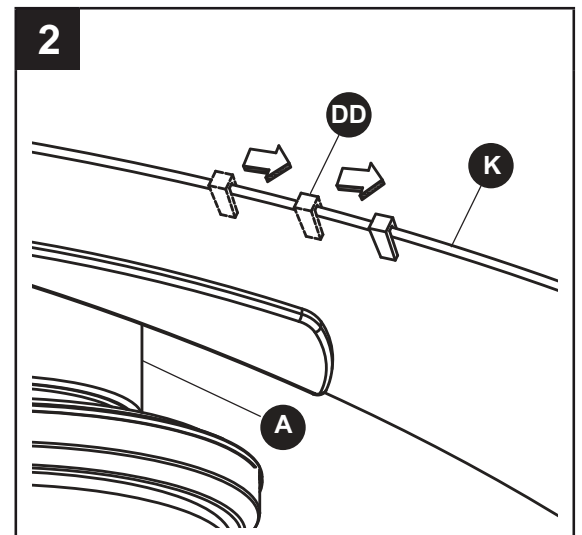
INSTRUCCIONES PARA EQUILIBRAR LAS ASPAS

1. Intercambiar la posición de aspas adyacentes (K) puede redistribuir el peso y hacer que funcione más suavemente. Si el tambaleo disminuye, deje las aspas (K) como están. Si el tambaleo aumenta, vuelva a la posición original. Fije el sujetador de equilibrio del kit de equilibrio (DD) al punto medio en el borde superior de una de las aspas (K).

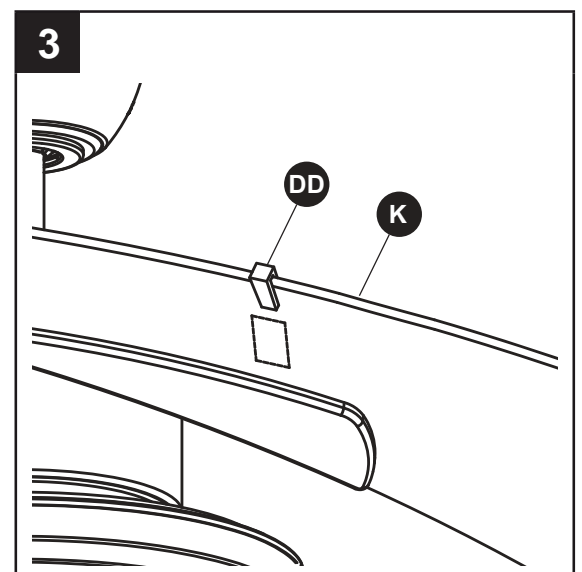
⚠ ADVERTENCIA: El sujetador de equilibrio siempre se debe empujar firmemente en el aspa hasta que toque el borde. Si no lo hace, el sujetador puede salir disparado y causar daños personales.



2. Haga funcionar el ventilador a velocidad alta (flujo de aire hacia abajo) y observe el tambaleo. Repita los pasos 1 y 2 para cada aspa (K). Observe qué aspa (K) tiene el menor tambaleo. Instale en dicha aspa (K) el sujetador de equilibrio (DD) en el borde superior del aspa (K) cerca del motor (A). Haga funcionar el ventilador y observe si hay tambaleo. Detenga el ventilador y mueva el sujetador de equilibrio (DD) a tramos pequeños hacia el extremo del aspa (K). En cada tramo de incremento encienda el ventilador y observe el tambaleo. Determine la ubicación del sujetador de equilibrio (DD) que permite la menor cantidad de tambaleo.



3. Despegue el papel protector de uno de los cuadrados con peso del kit de equilibrio (DD). Fije el cuadrado con peso del kit de equilibrio (DD) firmemente en la parte superior del aspa (M), centrado en la ubicación del sujetador de equilibrio y entre los bordes del aspa (M). Retire el sujetador de equilibrio, haga funcionar el ventilador y observe. Si el tambaleo persiste, repita los pasos del 1 al 3 con los cuadrados con peso restantes hasta que el tambaleo desaparezca.



CUIDADO Y MANTENIMIENTO

⚠ ADVERTENCIA: No use agua para limpiar el ventilador de techo. Puede dañar el motor o el acabado y crear la posibilidad de una descarga eléctrica.

- Use solo una brocha suave o un paño que no produzca pelusas para evitar rayar el acabado al limpiarlo.
- Los agentes limpiadores abrasivos son innecesarios y deben evitarse para no dañar el acabado.
- Revise periódicamente que todos los aditamentos estén ajustados y asegúrelos.
- Se recomienda una limpieza suave del polvo de las aspas periódicamente.
- Evite usar agua, limpiadores o paños ásperos, ya que pueden combar y arruinar el acabado.
- Reemplazo de las bombillas: Use una minibombilla de base candelabro de 100 vatios. Cambie la bombilla por una del vataje correcto. No exceda el vataje máximo indicado en el portalámpara.



SOLUCIÓN DE PROBLEMAS

PROBLEMA	CAUSA POSIBLE	ACCIÓN CORRECTIVA
El ventilador no arranca.	<ol style="list-style-type: none"> 1. El fusible o el interruptor de circuito están fundidos. 2. alguna de las conexiones eléctricas que van al ventilador está suelta. 3. Hay una batería agotada en el control remoto. 	<ol style="list-style-type: none"> 1. Revise los fusibles del circuito de derivación y del circuito principal o los interruptores de circuito. 2. Revise las conexiones de los cables que van hacia el ventilador. ⚠ ADVERTENCIA: Asegúrese de cortar la alimentación eléctrica. 3. Reemplace con una batería nueva.
El ventilador emite mucho ruido.	<ol style="list-style-type: none"> 1. Las aspas no están sujetas al ventilador. 2. Hay tornillos sueltos en la carcasa del motor. 3. Los tornillos que sujetan los soportes de las aspas del ventilador al eje del motor están flojos. 4. Los conectores al interior de la carcasa repiquetean. 5. El control de velocidad variable de estado sólido produce ruidos en el motor. 6. Los tornillos que sujetan las aspas a los soportes de las aspas están flojos. 	<ol style="list-style-type: none"> 1. Fije las aspas al ventilador antes de ponerlo en funcionamiento. 2. Compruebe que todos los tornillos de la carcasa del motor estén apretados (no apriete demasiado). 3. Compruebe que los tornillos que fijan los soportes de las aspas del ventilador al eje del motor estén apretados. 4. Compruebe que los conectores de cable de la carcasa del interruptor no repiqueteen unos contra otros o contra las paredes interiores de la carcasa del interruptor. ⚠ ADVERTENCIA: Asegúrese de cortar la alimentación eléctrica. 5. Algunos motores de ventilador son sensibles a las señales de los controles de velocidad variable de estado sólido. No se recomiendan los controles de estado sólido, elija un método de control alternativo. 6. Apriete completamente los tornillos.

SOLUCIÓN DE PROBLEMAS

PROBLEMA	CAUSA POSIBLE	ACCIÓN CORRECTIVA
El ventilador se tambalea excesivamente.	<ol style="list-style-type: none"> 1. El tornillo de fijación y la tuerca del soporte de la varilla están flojos. 2. El tornillo de fijación del ensamble de la bola para colgar/ varilla está flojo. 3. Los tornillos que sujetan los soportes de las aspas del ventilador al eje del motor están flojos. 4. La abrazadera para colgar y/o la caja de salida del techo no están bien fijadas. 5. Las aspas del ventilador están desequilibradas. 	<ol style="list-style-type: none"> 1. Apriete bien los tornillos de fijación en el soporte de la varilla. 2. Apriete el tornillo de fijación en la varilla/ ensamble de la bola para colgar. 3. Compruebe que los tornillos que fijan los soportes de las aspas del ventilador al eje del motor estén apretados. 4. Fije los tornillos de la abrazadera para colgar a la caja de salida y asegúrela. 5. Consulte las instrucciones de aspa equilibrada en la página 42.
No hay suficiente movimiento de aire.	La varilla es demasiado corta.	De ser posible, puede usar una varilla más larga (no se incluye).

GARANTÍA

El fabricante garantiza que este ventilador no presenta defectos de fabricación ni en los materiales presentes en el momento del transporte desde la fábrica. La garantía es efectiva desde la fecha de compra. El motor tiene una garantía de por vida, y una garantía de 2 años para el kit de iluminación y todos los componentes restantes. Esta garantía es válida solo para el comprador original. El fabricante acepta reparar dichos defectos sin cargo o, según nuestro criterio, reemplazar el ventilador de techo por un modelo comparable o superior.

Para obtener el servicio de garantía, presente una copia del recibo de venta como comprobante de la compra. Todos los costos de extracción y reinstalación son de responsabilidad explícita del comprador. Cualquier daño al ventilador de techo producido por accidente, uso indebido o instalación incorrecta, o a causa de accesorios de fijación que no están cubiertos por esta garantía, será responsabilidad del comprador. El fabricante no asume ningún tipo de responsabilidad por la instalación del ventilador durante la garantía limitada de por vida. Cualquier servicio realizado por una persona no autorizada invalidará la garantía.

Debido a las cambiantes condiciones climáticas, esta garantía no cubre cambios en el acabado de latón, óxido, picaduras, deslustre, corrosión, o descascarado. Los ventiladores con acabado de latón mantienen su belleza cuando se les protege de las cambiantes condiciones climáticas. La garantía no cubre los elementos de vidrio incluidos con este ventilador.

Cualquier reemplazo de piezas defectuosas para el ventilador de techo debe informarse dentro del primer año a partir de la fecha de compra. Para conocer el saldo de la garantía, llame a nuestro Departamento de Servicio al Cliente al 1-800-643-0067 y obtenga la autorización de la devolución e instrucciones de envío de modo que podamos reparar o reemplazar el ventilador de techo. Un ventilador o piezas devueltas con un embalaje incorrecto son de responsabilidad única del comprador. No existe otro tipo de garantía explícita. El fabricante rechaza cualquiera y todas las garantías implícitas. La duración de cualquier garantía implícita que no pueda rechazarse se limita al período limitado de por vida especificado en nuestra garantía. El fabricante no será responsable por daños incidentales, resultantes o especiales que surjan en relación con el uso o el funcionamiento del producto, excepto que la ley indique lo contrario. Esta garantía le otorga derechos legales específicos, y usted tiene también otros derechos que varían según el estado. Esta garantía sustituye cualquier garantía previa.

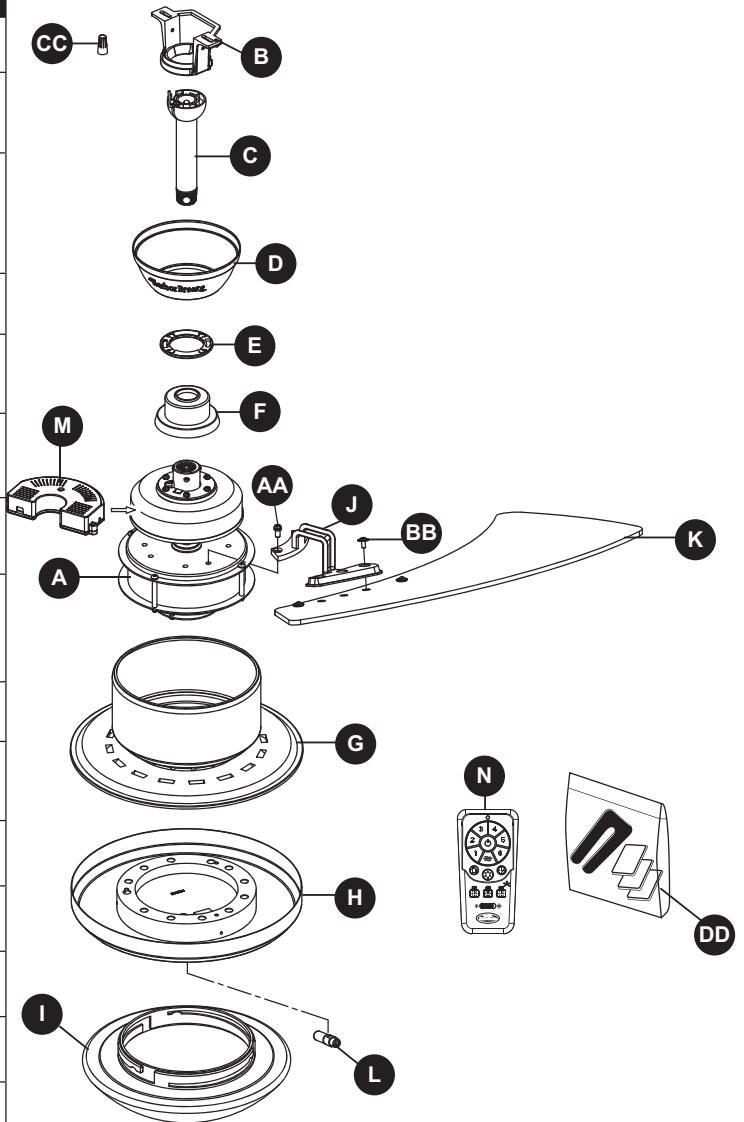
Nota: Una pequeña cantidad de “tambaleo” es normal y no se debe considerar como un defecto.



LISTA DE PIEZAS DE REPUESTO

Para obtener piezas de repuesto, llame a nuestro Departamento de Servicio al Cliente al 1-800-643-0067, 8 a.m. a 6 p.m., y los viernes de 8 a.m. a 5 p.m., hora estándar del Este.

PIEZA	DESCRIPCIÓN	PIEZA #
Una	Motor	AMA8294LBN
B	Abrazadera para colgar	APGAC110RBL
C	Ensamble de la varilla/bola para colgar	ADRACT1-6LBN
D	Base para techo	PPAC1005LBN
E	Cubierta para el tornillo de la base	APPAC1101LBN
F	Cubierta para el acoplador del motor	APPAC1403LBN
G	Ensamble de la carcasa inferior	AP829404LBN
H	Ensamble de la placa del portalámpara	AP829405LBN
I	Vidrio	P815008OP
J	Brazo de soporte del aspa	AP815002-16LBN
K	Aspa	AP815004WA
L	Bombilla	PPE11B100
M	Unidad receptora	RECDC8294
N	Control remoto	TR17
AA	Tornillo	HDWBH8150NI
BB	Tornillo con cabeza de arandela	HDWBM8150NI
CC	Conector de cables	HDWWNUTS4
DD	Kit de equilibrio	LBALKT



Impreso en China

Harbor Breeze® es una marca registrada de LF, LLC.
Todos los derechos reservados.

