

GG600AV

GE® 30" Slide-In Gas Convection Range with No Preheat Air Fry and EasyWash™ Oven Tray

Dimensions and Installation Information (in inches)

Provide adequate clearances between the range and adjacent combustible surfaces. These dimensions must be met for safe use of your range.

Allow 30" (76.2 cm) minimum clearance between burners and bottom of unprotected wood or metal cabinet, or allow a 24" (61 cm) minimum when bottom of wood or metal cabinet is protected by no less than 1/4" (6.4 mm) thick flame-retardant millboard covered with no less than No. 28 MSG sheet metal (.015" [.38 mm] thick), .015" (.38 mm) thick stainless steel, .025" (0.64 mm) aluminum or .020" (0.5 mm) copper.

Installation of a listed microwave oven or cooking appliance over the cooktop shall conform to the installation instructions packed with that appliance.

For island installation, maintain 2-1/2" minimum from cutout to back edge of countertop and 3" minimum from cutout to side edges of countertop.

Note: Door handle protrudes 3" from door face. Cabinets and drawers on adjacent 45° and 90° walls should be placed to avoid interference with the handle.

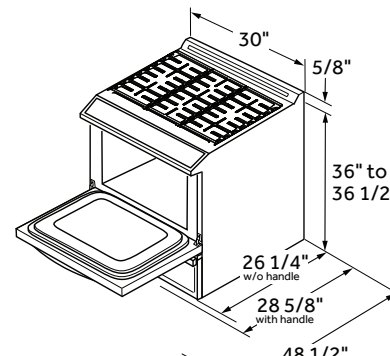
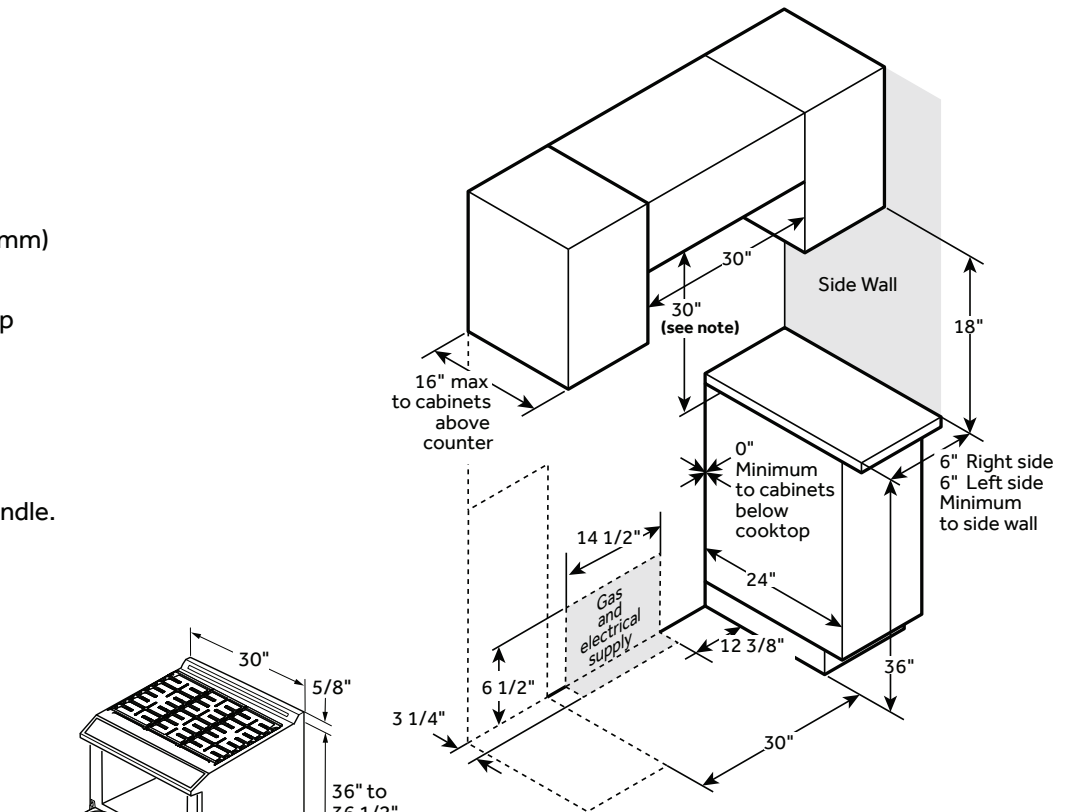
Note: Cabinets installed adjacent to slide-in ranges must have an adhesion spec of at least 194° F (90° C) temperature rating.

Before installing, consult installation instructions packed with product for current dimensional data.

For all installations, install the required rear trim to back of range with 4 screws provided.

Electrical Rating: 120V, 60Hz, 13A

Breaker Size: 15A



Note: Rear wall to front of door glass.

Note: Minimum to bare cabinet above; see Installation Instructions for alternate installation configurations.



For answers to your Monogram, Café™, GE Profile™ or GE Appliances product questions, visit our website at geappliances.com or call GE Answer Center® Service, 800.626.2000.



All GE Appliances ranges are equipped with an Anti-Tip device. The installation of this device is an important, required step in the installation of the range.

GG600AV

GE® 30" Slide-In Gas Convection Range with No Preheat Air Fry and EasyWash™ Oven Tray

Features and Benefits

EasyWash™ Oven Tray – Oven cleaning is easier than ever with the EasyWash™ Oven Tray. This enameled tray is easily removed and rinsed clean in the sink or, for bigger messes, guaranteed to fit in all GE Appliances dishwashers.

Built-In WiFi – Built-in WiFi and the SmartHQ™ app give you oven control functions like remote preheat, the ability to monitor and change oven temperature, turn off your oven and more!

No Preheat Air Fry – No preheat air frying is a great way to get crispier versions of your favorite foods in less time.

No Preheat Fresh Reheat – This no preheat mode is USDA MyPlate-Certified and perfect for reheating healthy leftovers from the night before, the to-go box from your favorite restaurant or restoring foods to ideal crispiness, saving you time and delivering delicious results.

No Preheat Pizza – Specifically designed to cook your frozen pizza perfectly, this no preheat option is a time saver and a great way to get dinner on the table fast.

Express Preheat – Get food on the table quicker thanks to a fast preheat oven. In just 7 minutes*, you have a perfectly preheated oven.*Preheats oven in just 7 minutes, bake mode to preheat beep, 350 degrees, one standard rack.

18,000 BTU Power Boil™ Burner – Boil water faster than ever with an 18,000 BTU element that delivers high heat for quick boiling.

Edge-to-Edge Cooktop – A large cooking surface gives you extra room for pots and pans of all sizes and lets cookware move easily from burner to burner.

Convection – Cook and brown foods more evenly with convection cooking that uses a rear fan to circulate hot air.

Precise Simmer Burner – Prepare your delicate dishes over the low, even heat of this precise simmer burner.

Extra-Large Integrated Griddle – With an integrated griddle that is 20% larger than leading competition, you can cook up to six grilled cheeses at once.

Steam Clean – Save your time and effort by steam-cleaning the oven after use without the need for special water, kits or extra steps thanks to this simple steam clean oven function.

Center Oval Burner – Custom cookware and griddles easily fit on this powerful fifth central oval burner that offers a flexible cooking solution.

Heavy-Duty, Dishwasher-Safe Grates – Enjoy a safe and easy-to-clean solution thanks to these heavy-duty, dishwasher-safe grates.

Model GGS600AVWW – White

Model GGS600AVES – Slate

Model GGS600AVFS – Fingerprint-Resistant Stainless

Model GGS600AVDS – Black Slate



Guaranteed Fit

Replace your old 30" free-standing range with a new 30" slide-in model. GE slide-in ranges are guaranteed for an exact fit or GE Appliances will pay up to \$300 toward modifications. Visit geappliances.com for more info.

