

Samsung Console, Single Zone, Split System

Job Name _____
 Purchaser _____
 Submitted to _____
 Unit Designation _____

Location _____
 Engineer _____
 Reference _____ Approval _____ Construction _____
 Schedule # _____

Specifications

Model	Indoor Unit Model Number (US Code)	AC009BNJDCH/AA (CNH09JDB)		
	Outdoor Unit Model Number (US Code)	AC009BXADCH/AA (CXH09ADB)		
Performance	Nominal Capacity ¹	Cooling / Heating (Btu/h)	9,000 / 10,100	
	Capacity Range	Cooling (Btu/h)	3,100 - 13,000	
		Heating (Btu/h)	2,700 - 18,500	
	SEER / EER		20.1 / 12.5	
	COP (nominal heating)		3.4	
	HSPF		10.2	
	AHRI Certification Number		207465439	
Power	Voltage	ø / V / Hz	1 / 208-230 / 60	
	Working Voltage Range (VAC)		176 - 254 (max. 3% deviation from each)	
	Operating Current (min. / std. / max.)	Cooling (A)		1.2 / 3.6 / 6.3
		Heating (A)		1.1 / 4.2 / 10.3
	Max. Breaker	Amps		15
Min. Circuit Ampacity (A)			9.3	
Dimensions	W X H X D (in.)	Indoor Unit	28 3/8 X 24 7/16 X 7 13/16	
		Outdoor Unit	31 1/8 X 21 9/16 X 11 1/4	
	Weight (lbs.)	Indoor Unit	34.6	
		Outdoor Unit	74.3	
Sound Pressure Level	Indoor Unit dB(A)	L / M / H	29 / 31 / 35	
	Outdoor Unit dB(A)	Cooling / Heating (high)	46 / 47	
Operating Temperatures	Outdoor	Cooling	23 ~ 122°F (-5 ~ 50°C)	
		Heating	0 ~ 122°F (-18 ~ 50°C) W/Baffle	
	Indoor	Cooling	-13 ~ 75°F (-25 ~ 24°C)	
		Heating	61 ~ 90°F (16 ~ 32°C) T ≤ 80°F (27°C)	
Pipe Connections	Indoor & Outdoor	High side (flare)	1/4"	
		Low side (flare)	3/8"	
	Maximum (ft.)		65.6	
	Maximum Vertical Separation (ft.)		49.2	
Condensate Connection			1 1/4" OD, 1" ID	
Refrigerant	Type		R410A	
	Factory Charge	lbs.	2.6	
	Charged for		25 ft	
	Additional Refrigerant		0.11 oz./ft. over 24.6 ft	
Compressor	Manufacturer		Samsung	
	Type		Inverter Driven, BLDC Rotary	
	RLA	Amps	6.0	
Evaporator Fan	Type		BLDC (1) With Turbo Fan (1)	
	Air Volume	CFM (L/M/H)	212 / 240 / 265	
	Output	Watts	35 X 1	
Condenser Fan	Motor		BLDC With Axial Type Fan (1)	
	FLA / Watts / CFM (max.)		0.42A / 40W / 1,060 CFM	
Safety	Certifications	ETL (UL 1995)		
	Devices	PCB fuses, indoor unit terminal block thermal fuse, current transformer, over-voltage protection, crankcase heating, temperature limit protection logic, compressor overload sensing		



General Information

- The outdoor unit shall supply power to indoor unit via 14 AWG X 3 power wire
- High-voltage terminal block temperature sensor to disable unit in the event of power connection overheating
- Auto-restart after power loss
- Soft-start compressor minimizing current inrush
- Base pan heater equipped as standard
- All heat exchangers shall be mechanically bonded aluminum fin to copper tube
- The condensing unit heat exchanger salt spray test method: ISO-9227 - The heat exchanger showed no unusual rust or corrosion development to 500 hours
- The front panel shall have LED indicator lights, touch controls, IR receiver, and 1 motorized louver.

Option settings

- The outdoor unit shall have snow accumulation prevention option setting to prevent snow drifting against an idle outdoor unit.
- Night-time Quiet Mode: reduction of operational sound during (*automatic* or *manual activation*)
- Emergency Temperature Output (ETO) function: when indoor unit is in error status or when room temperature exceeds configurable temperature level, the system outputs a signal to an external source, e.g., backup system, building management system, alert device (ex: status light, warning lamp, buzzer)
- Maximum Current Control configurable from 50% - 100% via outdoor unit, wired controller or central controls
- System can be configured as heating/cooling, cooling only, or heating only via outdoor unit option setting

Indoor Fan

- Indoor fan is a single turbo type
- The unit shall discharge cool air from the upper outlet louver (motorized) while in cooling mode and warm air from the upper and lower (manual adjustment only) outlets while in heating mode.
- Three fan speed settings and auto setting
- Washable filter as standard

Construction

- Outdoor unit: Galvanized steel with a baked-on powder coated finish for durability
- Indoor unit: Insulated, HIPS chassis certified to UL94 V0

Controls

- Control wiring shall be 2 X 16 AWG
- Wireless controller included as standard.
- Wired controllers must be purchased separately
- Dual temperature support when connected to MWR-WG00UN Advanced Wired Controller or central control options.
- No additional interface modules/adapters are required when connecting to Samsung central control options.
- The unit shall be operated via a wireless or wired remote control with DDC type signal

Refrigerant System

- The compressor shall be hermetically sealed, inverter-controlled BLDC rotary type
- Refrigerant flow shall be controlled by an electronic expansion valve at outdoor unit

Warranty

10 years compressor, 10 years parts, 1-year limited labor (conditions apply)

¹Certified in accordance with the AHRI Unitary Small Air-Source Heat Pumps (USHP) Certification Program which is based on the latest edition of AHRI Standard 210/240.

Samsung HVAC maintains a policy of ongoing development, specifications are subject to change without notice.

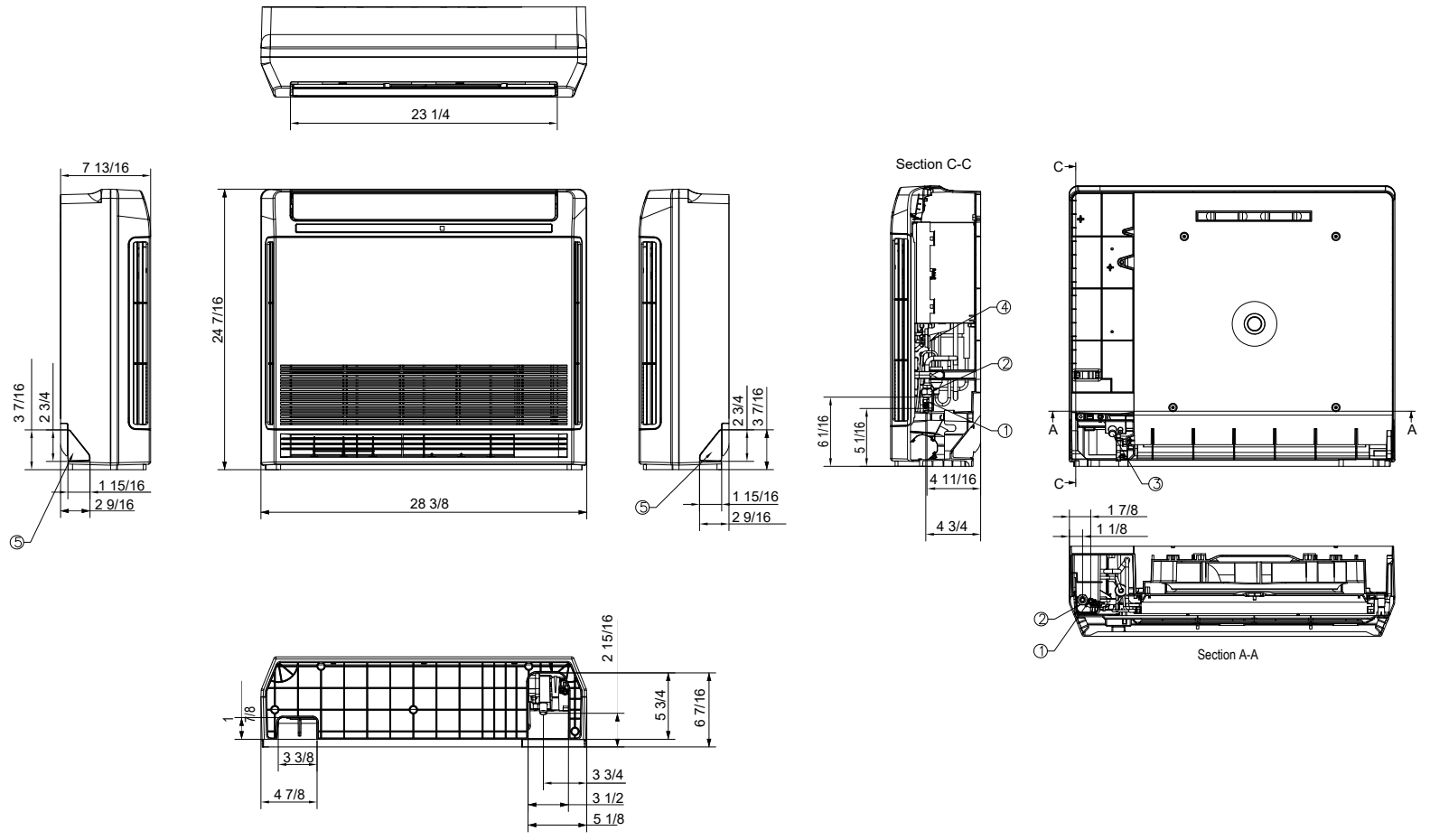
Samsung Console, Single Zone, Split System

Optional Accessories

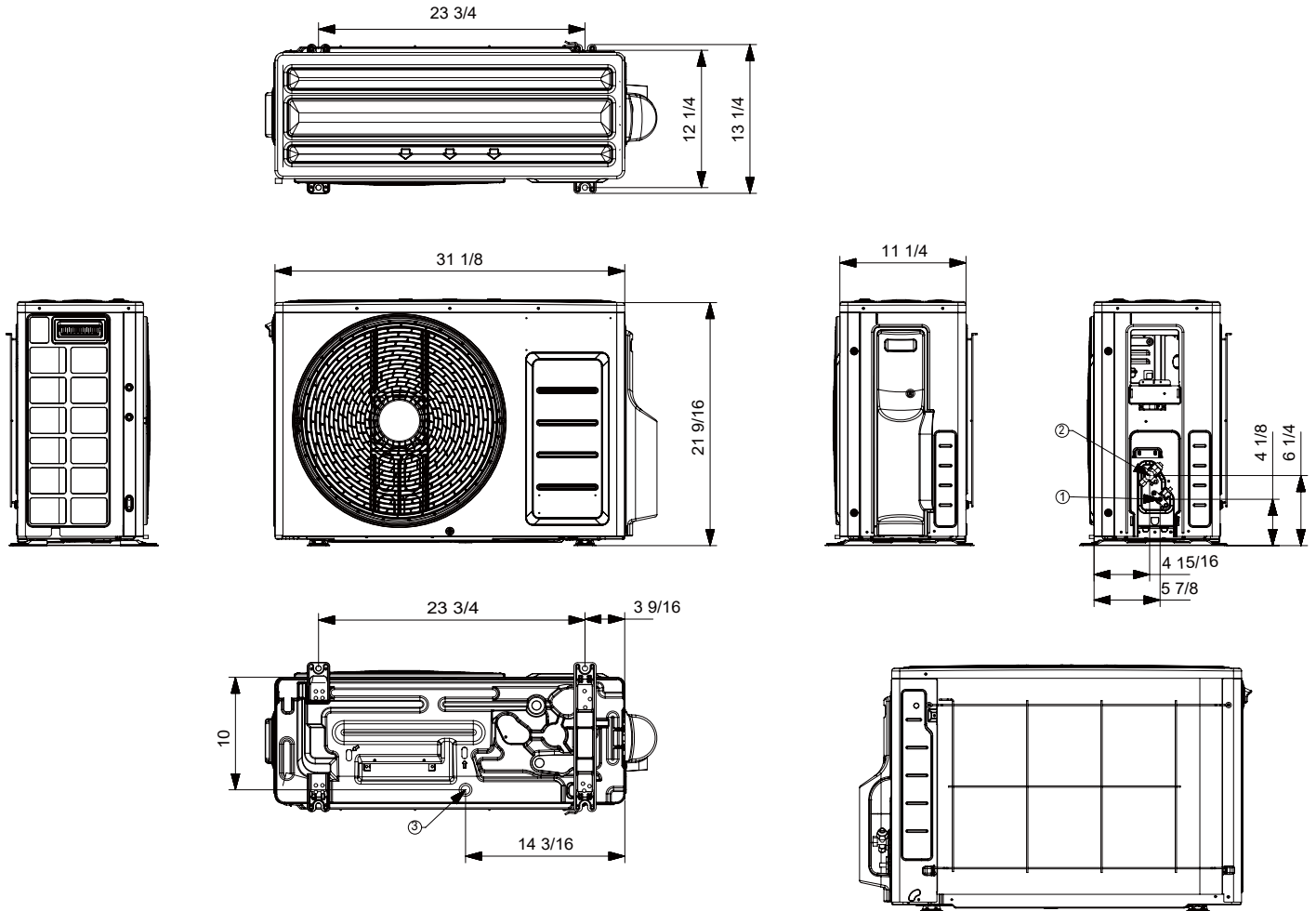
Wired controller	Advanced	MWR-WG00UN
	Touchscreen	MWR-SH11UN
Thermostat adapter (24vac)		MIM-A60UN
Wi-Fi adapter		MIM-H05UN
External temperature sensor		MRW-TA
External contact control		MIM-B14
Wall bracket (for outdoor unit)		CKN-250
Wind baffle	Front	WBF-3M
	Back	WBB-5M
Hail guard kit (includes back and side guards)		HGK-1
Line sets - insulated and flared, interconnect cables included		25' - ILS2506
		50' - ILS5006

Samsung Console, Single Zone, Split System

AC009BNJDCH/AA Dimensional Drawing



No.	Description
1	Liquid pipe connection
2	Suction pipe connection
3	Drain connection
4	Power and comm.wire conduit
5	Drain Knockout



No.	Name	Description
1	Refrigerant liquid pipe	Ø 1/4
2	Refrigerant gas pipe	Ø 3/8
3	Drain hole	Connect with provided drain plug