

## Safety instructions

**Electrical equipment must only be installed and assembled by a qualified electrician in accordance with the relevant installation standards, regulations, directives and safety and accident prevention directives of the country.**

**Failure to comply with these instructions may result in damage to the device, fire or other hazards.**

**The radio transmission is not suitable for safety or alarm applications.**

**These instructions are an integral component of the product and must be retained by the end user.**

## Design and layout of the device

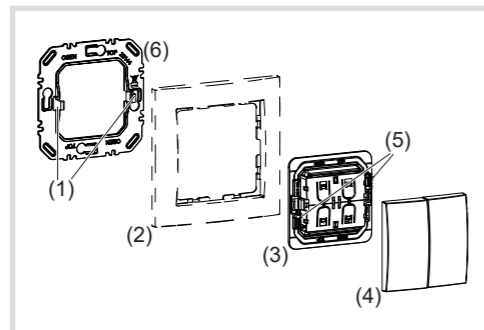


Image 1: Fundamental design and layout of the device

- (1) Locking spigot
- (2) Frame (not included)
- (3) Berker push-button
- (4) Rocker 2gang
- (5) Locking pins
- (6) Supporting plate

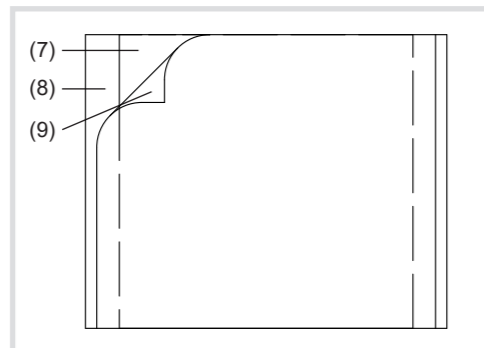


Image 2: Design and layout of the device adhesive foil

- (7) Adhesive foil
- (8) Backing film
- (9) Protective film

## Function

### Correct usage

- Smart light switch for wireless control of Philips Hue lamps.
- For switching, dimming and controlling individual light scenes
- Radio application in acc. with RED 2014/53/EU with particularly low energy consumption.
- Installation on device box, render or level surfaces with screws and adhesive pads.
- Only suitable for use in indoor areas with no drip and no spray of water.

**i** Berker push-buttons are suitable for residential use only and require a Philips Hue Bridge (v2) and Philips Hue App for Android or iOS for initial commissioning.

(GB)

**i** Philips Hue lamps can only be controlled by the Hue system when the light is switched on. Please ensure that the Philips Hue lamps are always switched on.

**i** Please be aware that Signify has access to personal data and user data via the Hue Bridge. Signify's privacy policy and terms and conditions of use are available at [www.philips-hue.com](http://www.philips-hue.com). The processing of personal data and user data is explained there.

### Product characteristics

- Batteryless and maintenance-free device without external power supply.
- Encrypted transfer with device-specific code.
- ZigBee Green Power radio standard, compatible with Friends of Hue and Apple HomeKit.
- Automatic extended reach via Philips Hue lamps.
- Easy commissioning and configuration via Philips Hue App and Hue Bridge v2.
- Transmission power is obtained from mechanical energy when the button is pressed (energy harvesting).
- Berker push-button consists of 4 push-buttons.

## Operation

### Operating concept

A short and long press can be allocated to functions on each button (switching, dimming, scenes).

## Information for electricians

### Assembly

#### Selecting installation location

The transmission reach in buildings is approximately 15 m without wall penetration. A maximum of one wall penetration is recommended as otherwise the radio signal is weakened.

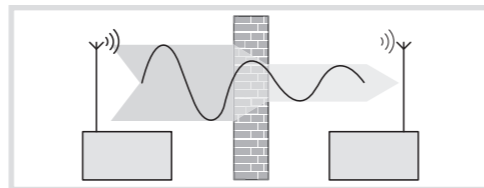


Image 3: Reduction of range through construction obstacles

The receiver may not be able to properly process the transmitter signal if it penetrates several walls.

Metals, such as metallic door frames, etc., can also have a negative impact on transmission.

**i** The reach can be extended with Philips Hue lamps in each room. werden.

## Information for electricians

### Installation

#### Screwing on the supporting plate



**DANGER!**  
**Electrical shock when live parts are touched!**  
**An electric shock can lead to death!**  
**Before mounting the supporting plate on a wall box, insulate the terminal leads that are not required against unintentional contact!**

- Screw the supporting plate (6) onto a wall box in the right position and mount them directly on the wall using the supplied screw/anchor set. Ensure that the label "TOP/OBEN" is at the top.

#### Sticking on the supporting plate



**CAUTION!**  
**Frame materials such as glass, concrete, slate, metal, aluminium are to be fastened exclusively with a screw connection!**  
**Device may fall from the wall!**  
**Before using the product by means of adhesive foil, check whether the intended use is suitable!**

The Berker push-button can be mounted on smooth, flat surfaces, such as on mobile glass office walls.

It is recommended to fasten the Berker push-button with a screw connection for best hold.

The optimal processing temperature lies between 15 °C and 25 °C.

**i** After the Berker push-button has been properly adhered to the surface, it becomes hard to remove. Therefore select installation location carefully before installation.

**i** Observe installation sequence for optimal adhesion of the supporting plate.

**i** Do not touch adhesive surface.

- Clean mounting surface with a suitable, non-greasing or silicone-containing household cleaner, e.g. isopropyl.

The mounting surface is clean, free of grease and offers sufficient support.

- Remove the surplus backing film (8).

- Align the adhesive film (7) and stick onto the mounting surface. In so doing, press the adhesive film on firmly – if necessary, with a suitable aid

- Remove the protective foil (9).

- Align the supporting plate (6) and stick to adhesive foil for at least 15 seconds. Align the label "TOP/OBEN" to the top. Frame and Berker push-button do not need to be stuck on.

**i** The adhesive pads only reach their final adhesion after approx. 24 hours.

**i** Before installation, commission the device and test the reach prior to using the adhesive film.

#### Mounting the Berker push-button on the supporting plate

The supporting plate is fastened to the wall.

- Place the frame (2) onto the supporting plate (6).

- Place the Berker push-button (3) on the supporting plate via the locking spigot. In doing so, observe the labelling in the centre of the

module - **0** must be at the top (10) and **I** at the bottom (11) liegen.

- Push the yellow locking pins (5) on the left and right of the Berkerpush-button upwards/downwards under the locking spigots (1) up to the stop (Figure 4).

The Berker push-button is locked on the supporting plate.

- Place the rocker (4) onto the Berker push-button in the right position and push it on until it engages.

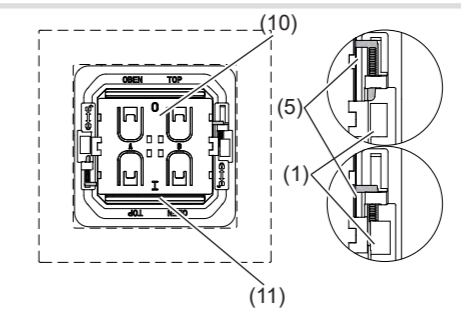


Image 4: Locked and unlocked Berker push-button

#### Dismantling the device

- Push the rocker (4) down. On the opposite side, reach under the rocker and pull it off.

- Using a screwdriver, push the yellow locking pins (5) on the left and right of the Berker push-button (3) downwards/upwards.

The Berker push-button is unlocked.

- Remove Berker push-button and frame. Unscrew the supporting plate or release from the adhesive film (7).

## Commissioning

Follow the Philips Hue App instructions for commissioning and configuration.

#### Connect Berker push-button to the Philips Hue Bridge.

The Philips Hue Bridge is ready for operation and within reach of the radio module.

**i** The system requires a Philips Hue Bridge (v2) and Philips Hue app for Android or iOS for initial setup. Learn more on [Philips-hue.com](http://Philips-hue.com).

The Philips Hue App must be connected with the Philips Hue Bridge.

- Select the "Settings" > "Accessories setup" > "Friends of Hue Switch" menu in the Philips Hue App.

All compatible Friends of Hue switches are displayed.

- Select Berker push-button.

Operate the buttons (4) of the Berker push-button as described in the app.

The Berker push-button has received the information and has been added as an accessory in the app.

The Berker push-button can be configured in the app.

## Configuration

The button functions (switching, dimming, scene) have to be configured in the Philips Hue App.

#### Configuring Berker push-button in the Philips Hue app

The Berker push-button is taught-in in the Philips Hue Bridge.

Philips Hue lamps are ready to use.

- Follow the instructions as described in the app and allocate the Berker push-button to the lamps and configure it.

## Appendix

### Technical data

Carrier frequency:	2.4 ... 2.483 GHz
Zigbee Green Power as per IEEE 802.15.4	
Transmission range in buildings	approx. 15 m
Transmission power:	7 dBm (5 mW)
Degree of protection IP:	IP20
Storage temperature:	-25 ... +65 °C
Ambient temperature:	+5 ... +45 °C

## Troubleshooting

### Philips Hue receiver does not respond.

Cause 1: The Philips Hue lamp has not been switched on.

Switch on the Philips Hue bulb with a conventional switch.

Cause 2: Berker push-button is not connected with the lamp to be switched.

Open the Philips Hue App and check the connection between switch and lamp.

## Warranty

We reserve the right to realise technical and formal changes to the product in the interest of technical progress.

Our products are under guarantee within the scope of the statutory provisions.

If you have a warranty claim, please contact the point of sale.



Correct disposal of this product  
(Electrical waste).

(Applicable in the European Union and other European countries with separate collection systems).

This marking shown on the product or its documentation indicates that it should not be disposed of with other household waste at the end of its working life. To prevent possible harm to the environment or human health from uncontrolled waste disposal, please separate this device from other types of waste. Recycle the device responsibly to promote the sustainable reuse of material resources.

Household users should contact either the retailer where they purchased this product, or their local government office, for details of where and how they can take this device for environmentally safe recycling.

Business users should contact their supplier and check the terms and conditions of the purchase contract. This product should not be mixed with other commercial waste for disposal.

Hager SA herewith declares that  
the Berker push-button  
meets Directive 2014/53/EU.

The complete text of the EU declaration of conformity is available at [www.hager.com](http://www.hager.com).

