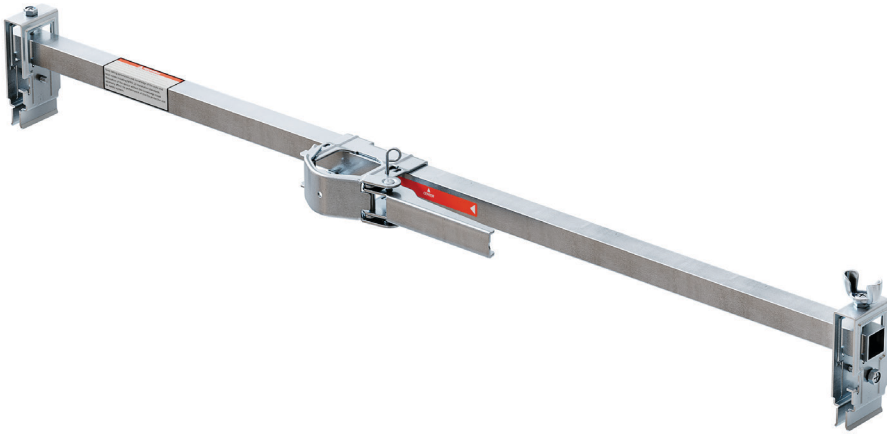


LOW-PROFILE SPECIFLEX® BRACKET



Figure 2404



NFP240424

FEATURES

- One-piece bracket for low-profile applications
- Includes open gate bracket for easy adjustments
- Comes fully assembled for faster installation
- Length: 24" (adjustment range: 6" – 24")
- Height: 3-7/8"
- Meets Buy American Act (BAA) requirements

TECHNICAL DATA

- Material: Zinc-plated steel, ASTM A-366
- Bracket thickness: 2.0mm, ± 0.05
- See Speciflex® Hose data sheets for UL/FM approved assemblies

INSTALLATION

- Please refer to NFP Speciflex® Installation Manuals for proper installation guidelines

