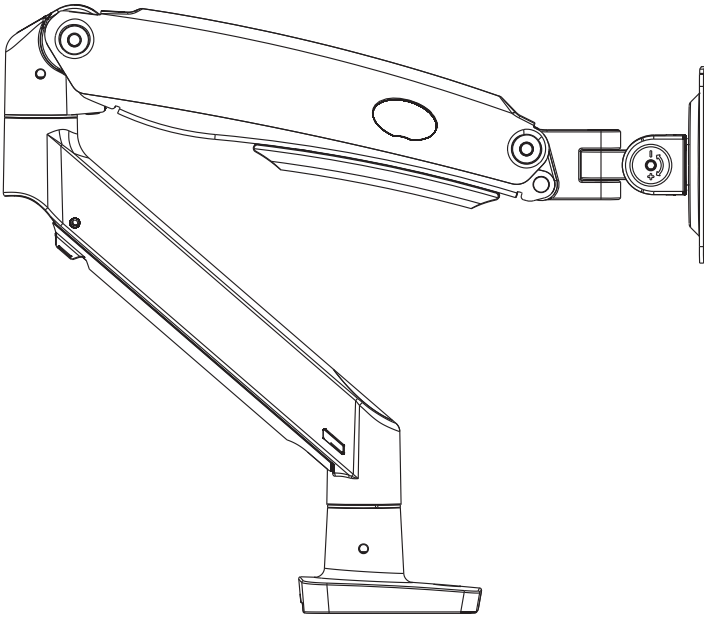




Monitor Desk Mount Instruction Manual

V2.0



Model: EGSS2

Thank you for choosing this Ergear product! At Ergear we strive to provide you with the best quality products and services in the industry. Should you have any issues, please don't hesitate to contact at support@ergear.com (US/CA/DE/UK/FR/IT/ES/AU)

IMPORTANT SAFETY INFORMATION

Please carefully read all instructions before attempting installation. If you do not understand the instructions or have any concerns or questions, please contact our customer service at support@ergear.com.

CAUTION: Avoid potential personal injuries and property damage!

- Do not use this product for any purpose that is not explicitly specified in this manual. Do not exceed weight capacity. We are not liable for damage or injury caused by improper mounting, incorrect assembly or inappropriate use.
- This product contains a high pressure gas spring, fire and percussion prohibited. Also it is strictly prohibited to dismantle without professionals. Please return to the manufacturer or hand over to professional agencies if the product is abandoned.
- The desk must be capable of supporting three times the weight of the total load (the mount, the monitor and all accessories weight). Don't use the product on particle board.

Weight Restrictions



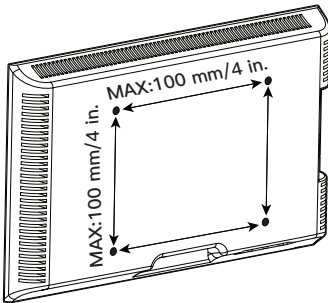
Your monitor (including accessories) **CANNOT EXCEED** 6.6–26.4lbs (3–12 kg)

WARNING

DO NOT exceed the maximum weight indicated. This mounting system is intended for use only with the maximum weights indicated. Use with products heavier than the maximum weights indicated may result in failure of the mount and its accessories, causing possible damage and or injury.

If your monitor weighs more, this mount is NOT compatible.

Check the VESA Pattern of Your Monitor before You Begin the Installation



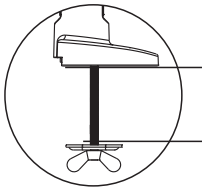
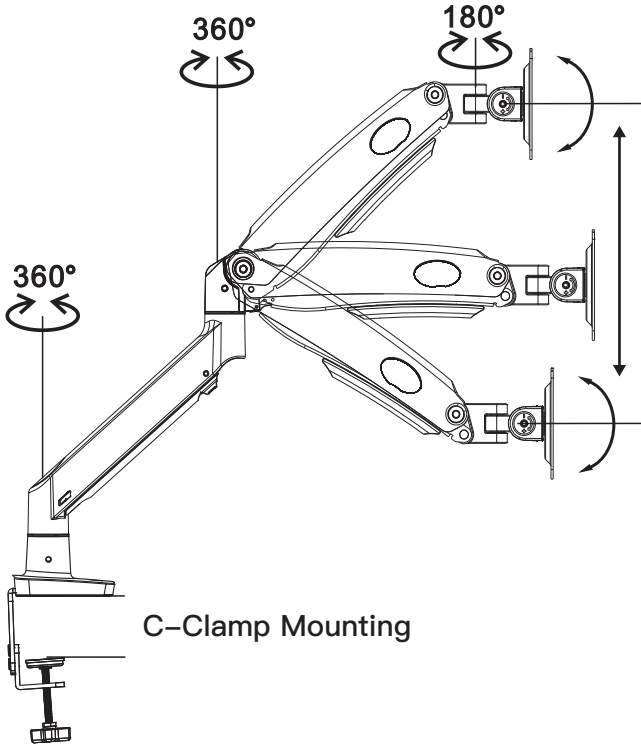
75 mm \approx 3 in.
100 mm \approx 4 in.

Minimum VESA pattern:
75mm/3 in.(W)x75mm/3 in.(H)

If your Monitor VESA is greater than 100x100 mm/4x4 in. or less than VESA 75x75mm/3x3in., this mount is NOT compatible.

If this desk mount is NOT compatible, please contact customer service at support@ergear.com to find a compatible product.

Product Features



TENSION ADJUSTMENT SHOULD BE DONE ONLY AFTER MOUNT INSTALLATION



Do not adjust tension without monitor.

1. Ensure monitor has been attached to the mount.
2. Read your monitor box or manual to find out monitor net weight.
3. Ensure the net weight of monitor (including accessories) is between 6.6~26.4 lbs (3~12 kg).



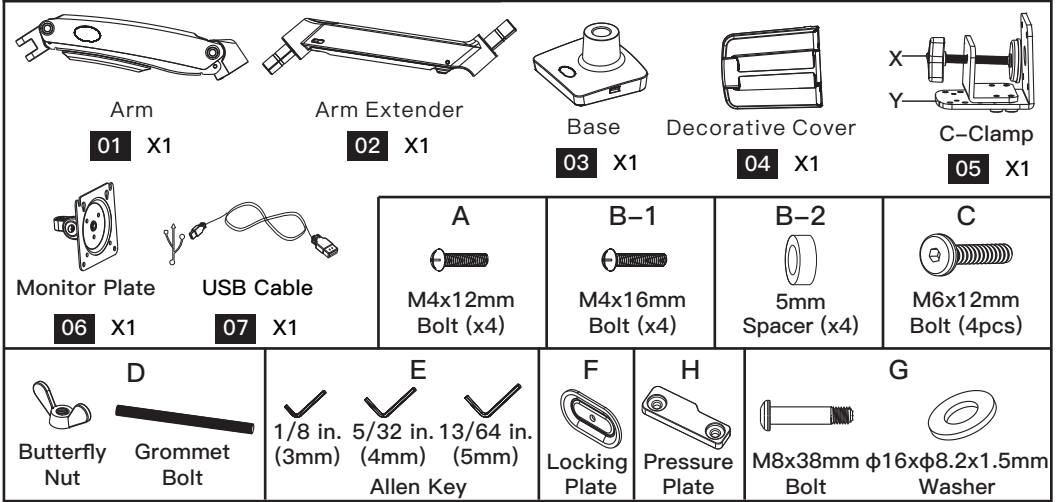
Clockwise to reduce
tension(carry less weight)

Counter-clockwise to increase
tension(carry more weight)

Warning!



Parts and Hardware Included

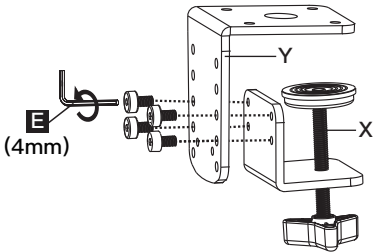


1. Install the Base

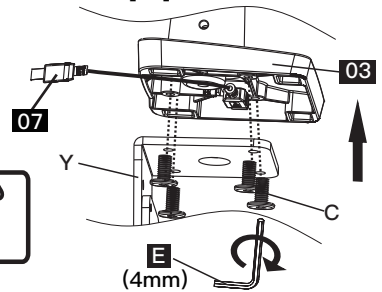
A. For Clamp Mounting

A-1 Install the USB Cable and C Clamp to the Base

- ① Detach the C-clamp entirely

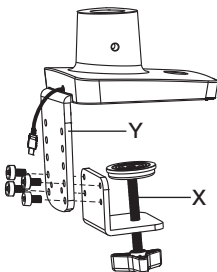


- ② Install the USB cable [07] to the base [03], then secure part [Y] to the base [03]

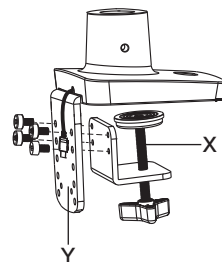


Warning:
Ensure bolts are secured firmly.

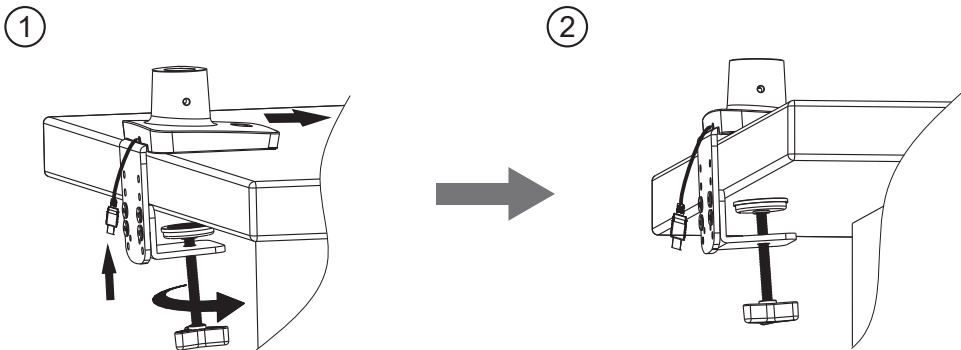
- ③ Connect part [X] to part [Y] according to the thickness of the desktop



OR

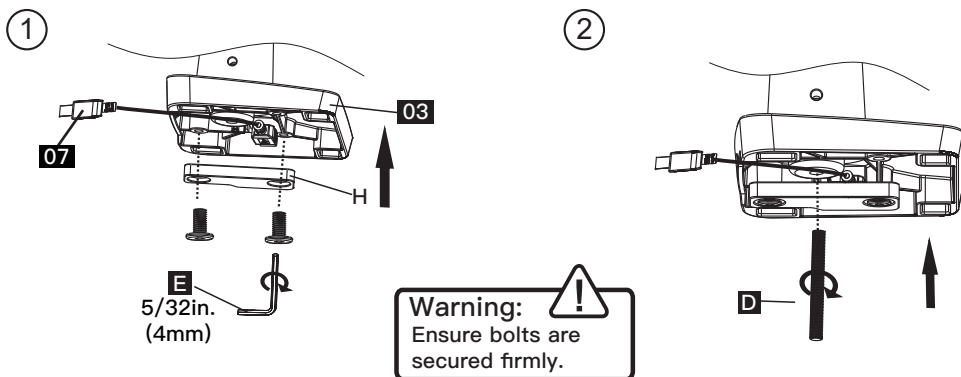


A-2 Secure the Base to the Desktop

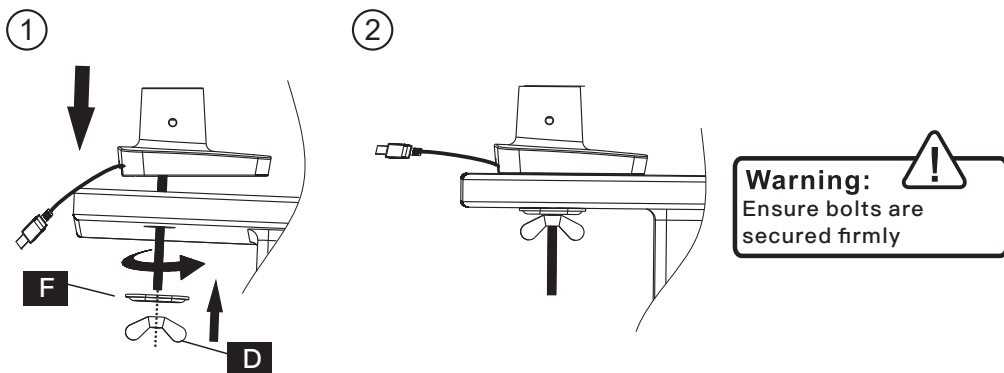


B. For Grommet Mounting

B-1 Install USB Cable and the Grommet Bolt to Base

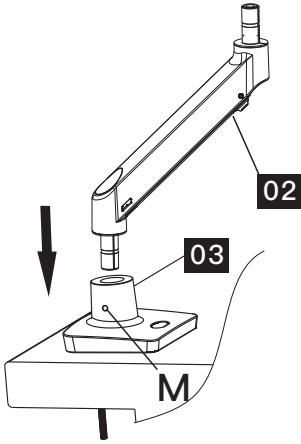


B-2 Secure the Base to Desktop Using Locking Plate and Butterfly Nut

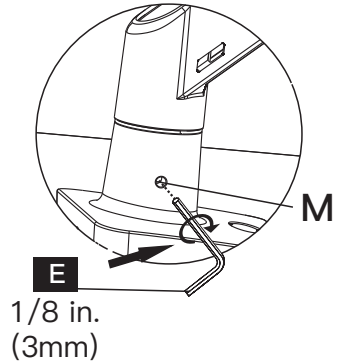


2. Install the Arms

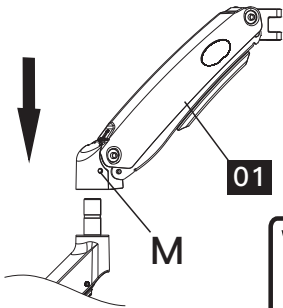
①



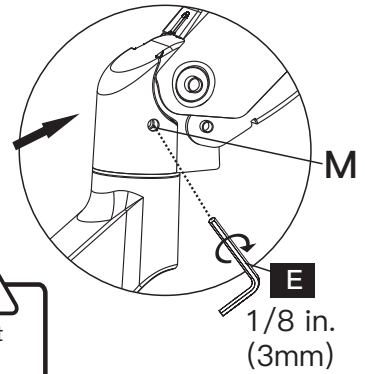
②



③



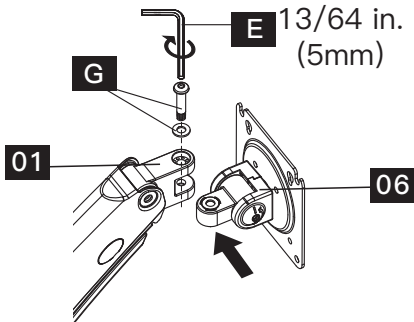
④



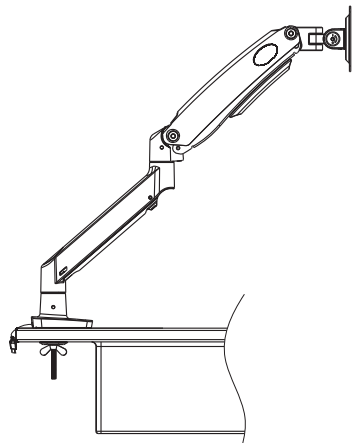
Warning:

Do not over-tighten the set screw [M] in order not to affect the rotation of the arm.

3. Install the Monitor Plate



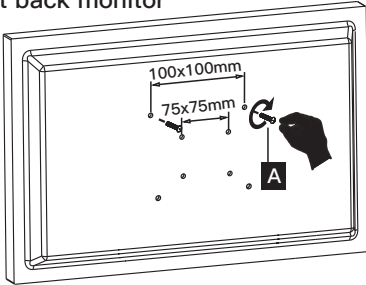
Attach the monitor plate [06] from the sides of the top end of arm [01], then secure the monitor plate using bolt and washer [G]



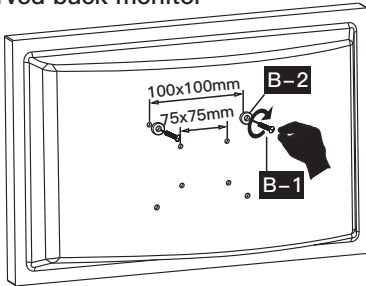
4. Attach Monitors to the Arms

4-1 Choose Proper Bolts

Flat back monitor



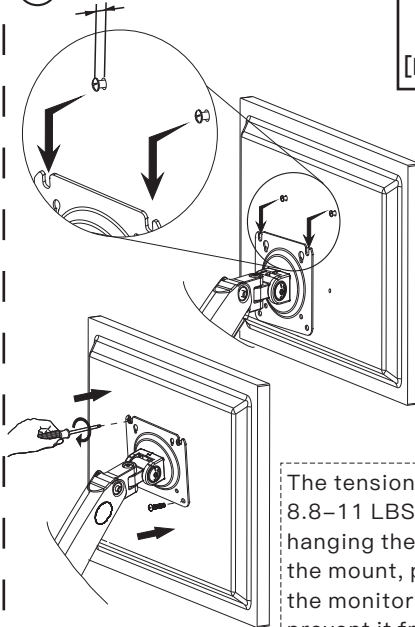
Curved back monitor



75 mm ≈ 3 in.
100 mm ≈ 4 in.

4-2 Install Monitors to the Arms

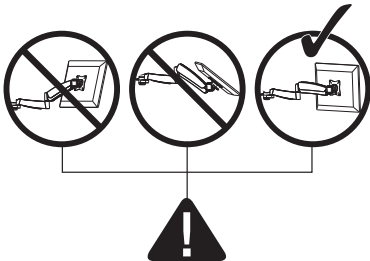
① 0.1–0.2in.(3–5mm) spacing left




Screwdriver
[Not Included]

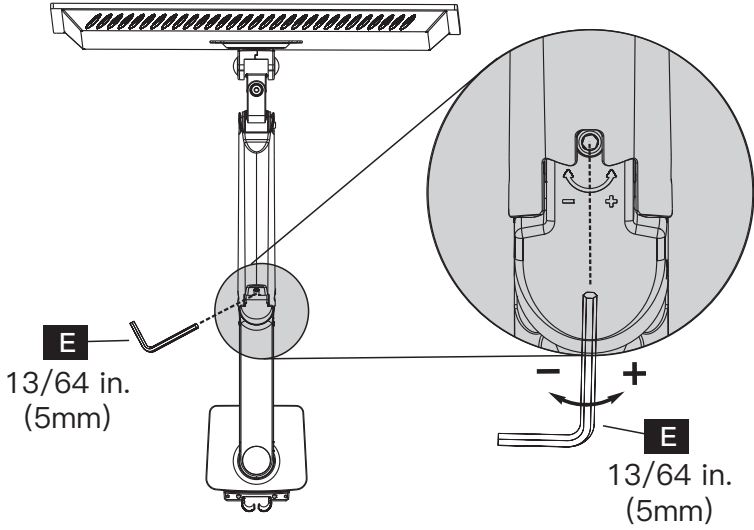
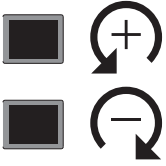
The tension is preset at 8.8–11 LBS(4–5kg). After hanging the monitor to the mount, please release the monitor slowly to prevent it from falling suddenly.

5. Adjust Gas Spring Tension



Be sure to keep the arm in horizontal position during adjustment. Or else, it would be difficult to adjust the mount or damage the mount.

1. If the monitor can stay at the desired height by itself, no adjustment needed.
2. If the monitor rises up, press the arm to keep it in horizontal position and then use the 13/64 in.(5mm) Alley key (E) to turn the bolt clockwise(“-” direction) to reduce tension of the arm only until the monitor can stay at the desired height by itself.
3. If the monitor falls down, lift the arm to keep it in horizontal position and then use the 13/64 in.(5mm) Alley key (E) to turn the bolt counter-clockwise(“+” direction) to increase tension of the arm only until the monitor can stay at the desired height by itself.

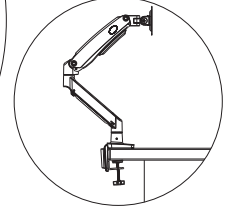
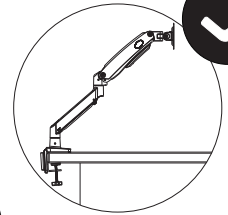
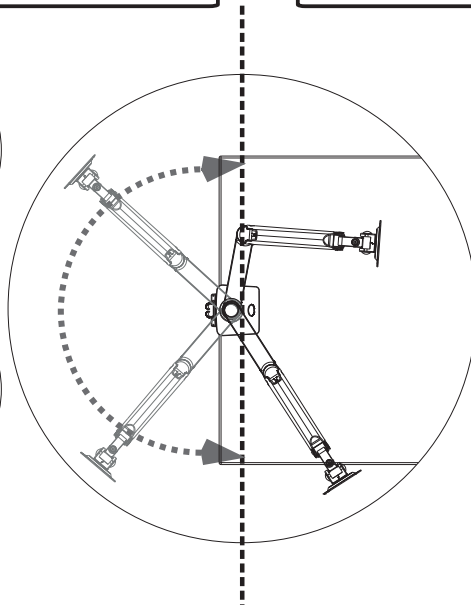
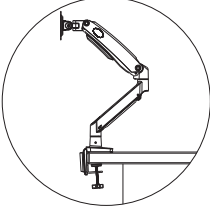
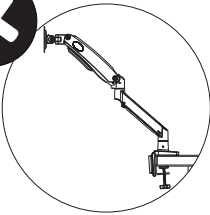


(1 rotation \approx 1 lb)

6. Rotation Restriction

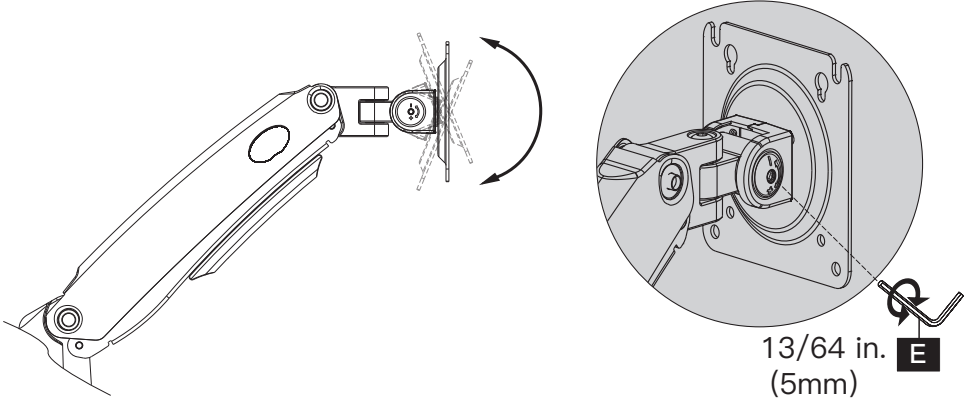
Non-proper usage directions

Proper usage directions



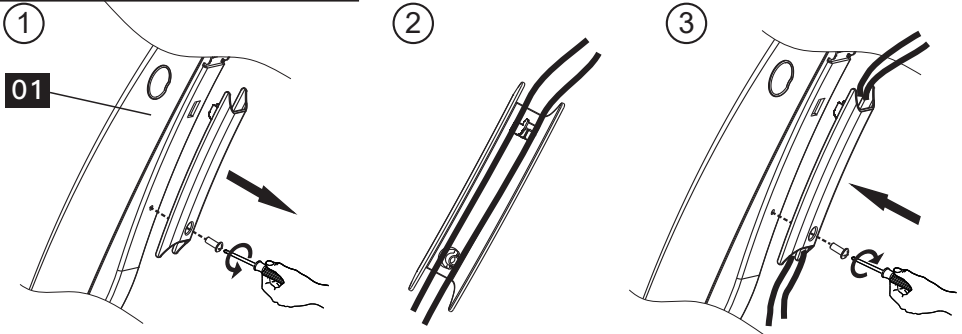
7. Tilt Adjustment

Adjust monitor to proper tilt angle, using Allen key (E) to tighten the bolt and fix tilt angle

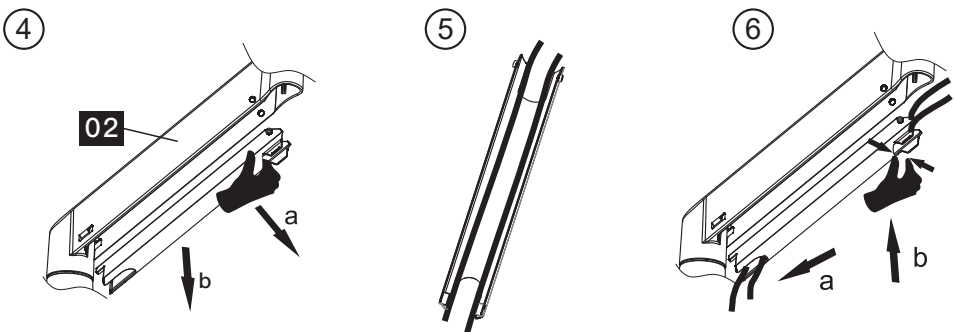


8. Route Cables along the Arms

8-1 Route cables along the arm [01]



8-2 Route cables along the arm extender [02]

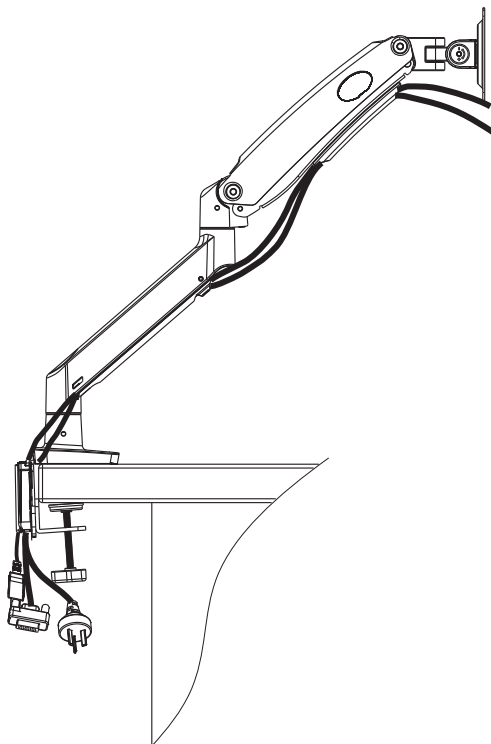
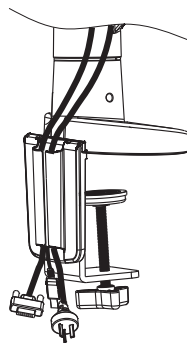
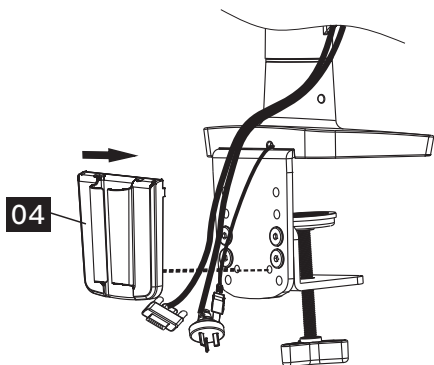



Pull down the groove part along the arm to detach the cover from the arm

Pinch the both sides of the top end of the cover to make it attach to the arm

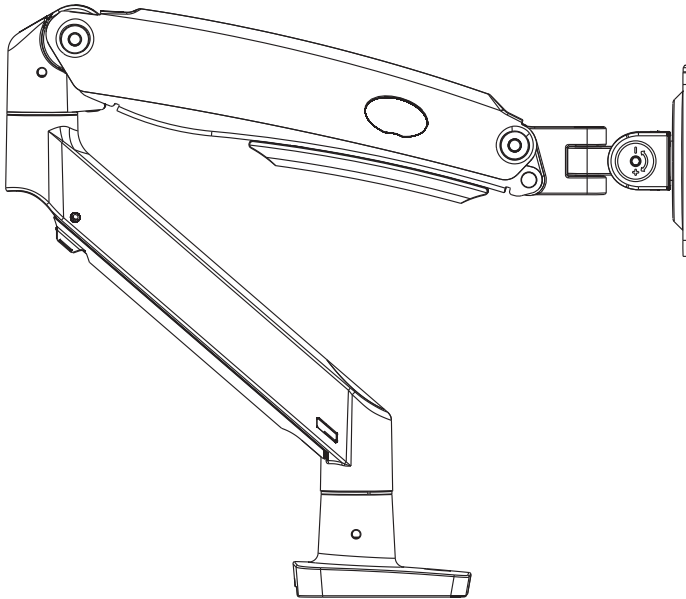
Attach the Decorative Cover to C-Clamp

Warm Tips: The decorative cover [04] can only be used for the C-Clamp.



Warning: 
Ensure screws are secured firmly.

**Thank you again for
choosing this Ergear product!**



All of us at Ergear do appreciate your product purchase. We hope that you are as happy with your product as we are designing and manufacturing it for you. We strive to provide you with the best quality products and services in the industry. Should you have any issues, please don't hesitate to contact us at support@ergear.com (US/CA/DE/UK/FR/IT/ES/AU)