

# **Shark** ROTATOR<sup>®</sup> LIFT-AWAY<sup>™</sup> ADV

LA500 Series • Série • Serie

OWNER'S GUIDE  
GUIDE DE L'UTILISATEUR  
GUÍA DEL USUARIO

---



**duo** clean **POWERFINS**

# IMPORTANT SAFETY INSTRUCTIONS

FOR HOUSEHOLD USE ONLY • PLEASE READ CAREFULLY BEFORE USE

If the plug does not fit fully into the outlet, reverse the plug. If it still does not fit, contact a qualified electrician. **DO NOT** force into outlet or try to modify to fit.

## **⚠ WARNING**

To reduce the risk of fire, electric shock, injury, or property damage:

### GENERAL WARNINGS

1. Your vacuum cleaner may consist of a motorized nozzle, wand, hose, and/or vacuum pod. This device contains electrical connections, electrical wiring, and moving parts that potentially present risk to the user.
2. Use only identical replacement parts.
3. Carefully observe and follow the instructions provided below to avoid improper use of the appliance. **DO NOT** use the vacuum for any purpose other than those described in this manual.
4. Before use, carefully inspect all parts for any damage. **DO NOT** use if any parts are damaged.
5. The use of an extension cord is **NOT** recommended.
6. This vacuum cleaner contains no serviceable parts.

### USE WARNINGS

7. This appliance can be used by persons with reduced physical, sensory or mental capabilities or lack of experience and knowledge if they have been given supervision or instruction concerning use of the appliance in a safe way and understand the hazards involved. Cleaning and user maintenance shall not be made by children.
8. Keep the appliance and its cord out of reach of children. **DO NOT** allow the appliance to be used by children. **DO NOT** allow to be used as a toy. Close supervision is necessary when used near children.

9. Always turn off the vacuum cleaner before connecting or disconnecting any motorized nozzles or other accessories.
10. **DO NOT** handle plug or vacuum cleaner with wet hands.
11. **DO NOT** use without filters in place.
12. Only use Shark® branded filters and accessories.
13. **DO NOT** damage the power cord:
  - a) **DO NOT** pull or carry vacuum cleaner by the cord or use the cord as a handle.
  - b) **DO NOT** unplug by pulling on cord. Grasp the plug, not the cord.
  - c) **DO NOT** run the vacuum cleaner over the power cord, close a door on the cord, pull the cord around sharp corners, or leave the cord near heated surfaces.
14. **DO NOT** put any objects into nozzle or accessory openings. **DO NOT** use with any opening blocked; keep free of dust, lint, hair, and anything that may reduce airflow.
15. **DO NOT** use if nozzle or accessory airflow is restricted. If the air paths or the motorized floor nozzle become blocked, turn the vacuum cleaner off and unplug from electrical outlet. Remove all obstructions before you plug in and turn on the unit again.
16. Keep nozzle and all vacuum openings away from hair, face, fingers, uncovered feet, or loose clothing.

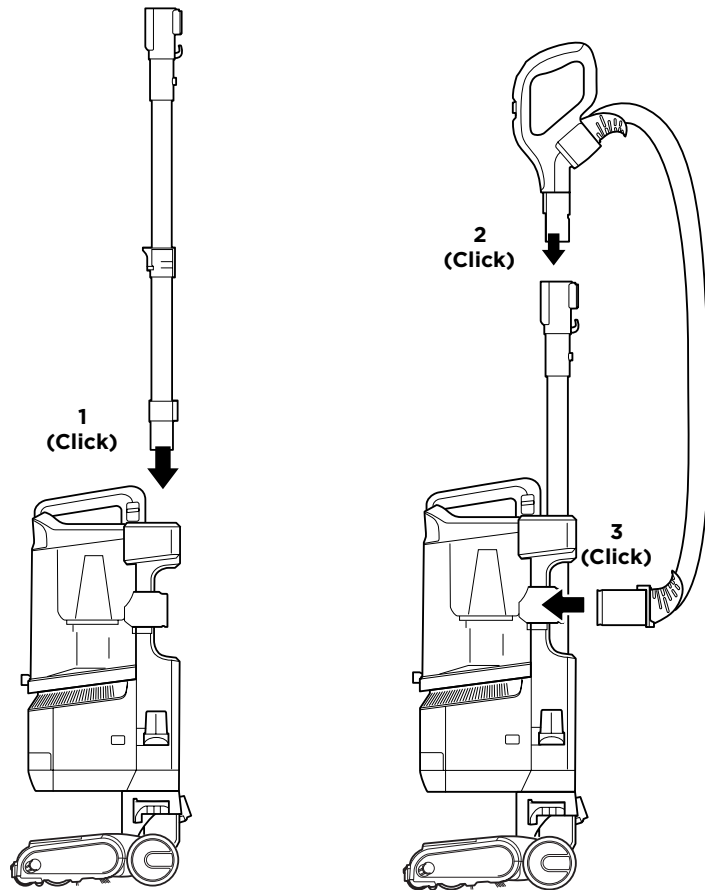
17. **DO NOT** use if vacuum cleaner is not working as it should, or has been dropped, damaged, left outdoors, or dropped into water.
18. Use extra care when cleaning on stairs.
19. **DO NOT** leave the vacuum cleaner unattended while plugged in.
20. When powered on, keep the vacuum cleaner moving over the carpet surface at all times to avoid damaging the carpet fibers.
21. **DO NOT** place vacuum cleaner on unstable surfaces such as chairs or tables.
22. Your Shark® vacuum may not be designed to stand up on its own. When taking a break from cleaning, you may need to lean it against furniture or a wall, or lay it flat on the floor. Using the vacuum for an application where the unit lacks stability may result in personal injury.
23. **DO NOT** use to pick up:
  - a) Liquids
  - b) Large objects
  - c) Hard or sharp objects (glass, nails, screws, or coins)
  - d) Large quantities of dust (drywall dust, fireplace ash, or embers). **DO NOT** use as an attachment to power tools for dust collection.
  - e) Smoking or burning objects (hot coals, cigarette butts, or matches)
  - f) Flammable or combustible materials (lighter fluid, gasoline, or kerosene)
  - g) Toxic materials (chlorine bleach, ammonia, or drain cleaner)

24. **DO NOT** use in the following areas:
  - a) Poorly lit areas
  - b) Wet or damp surfaces
  - c) Outdoor areas
  - d) Spaces that are enclosed and may contain explosive or toxic fumes or vapors (lighter fluid, gasoline, kerosene, paint, paint thinners, mothproofing substances, or flammable dust)
25. Turn off all controls before plugging in or unplugging the vacuum.
26. Unplug from electrical outlet when not in use and before any maintenance or cleaning.
27. Hand wash with water only. Washing with cleaning chemicals could damage the unit.
28. During cleaning or routine maintenance, **DO NOT** cut anything other than hair, fibers, or string wrapped around the brushroll.
29. Allow all filters to air-dry completely before replacing in the vacuum to prevent liquid from being drawn into electric parts.
30. Make sure the dust cup and all filters are in place after routine maintenance.
31. If provided, secure the power cord around the two cord hooks during storage.

To reduce the risk of electric shock, this appliance has a polarized plug (one blade is wider than the other). This plug will fit in a polarized outlet only one way. If the plug does not fit fully in the outlet, reverse the plug. If it still does not fit, contact a qualified electrician to install the proper outlet. Do not change the plug in any way.

## SAVE THESE INSTRUCTIONS

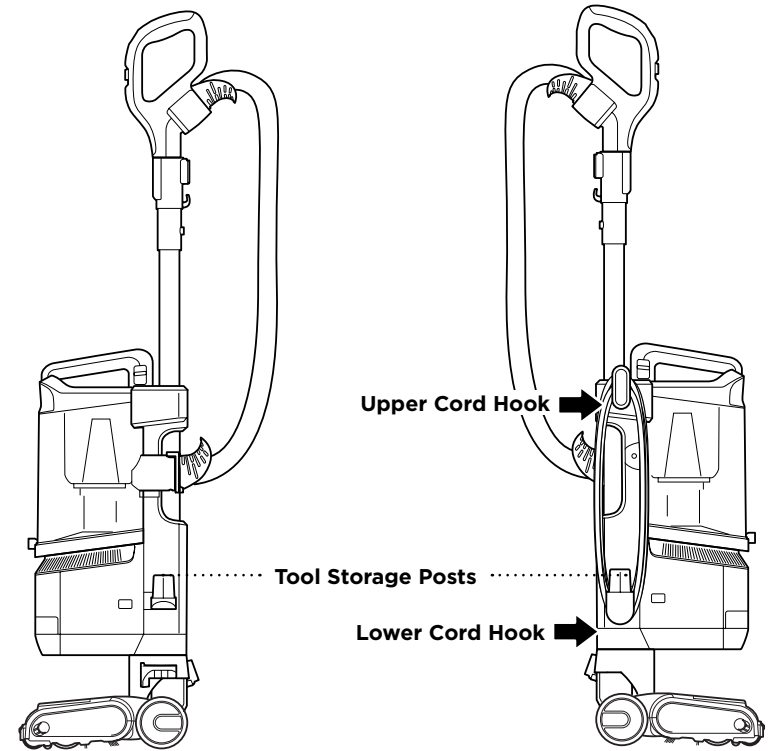
## ASSEMBLY



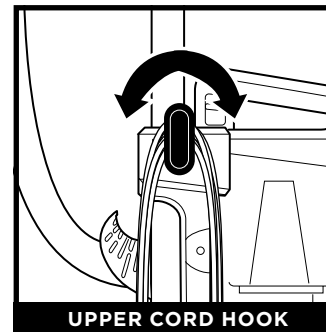
1. Insert **Wand** into pod
2. Insert **Handle** into wand.
3. Attach **Hose** to back of vacuum pod.

For proper operation, ensure all parts are firmly clicked into place.

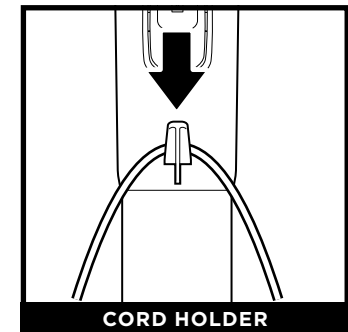
## ASSEMBLY



## POWER CORD



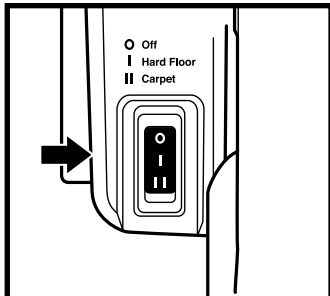
For cord access, rotate upper hook down and remove cord.



Use cord holder on the side of wand to hold cord in place while vacuuming.

## WHOLE-HOME CLEANING

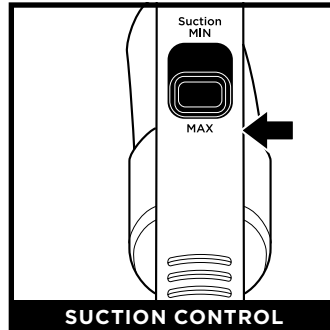
### SETTINGS



**POWER/SURFACE SWITCH**

Select surface setting:

- Power Off**
- I Hard Floor**  
For hard floors and small area rugs.
- II Carpet**  
For carpets.



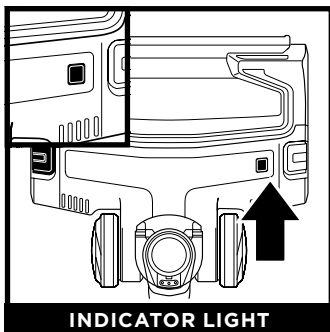
**SUCTION CONTROL**

The **Suction Control Slider** located on the handle allows you to adjust the suction depending on the floor type.

- MIN:** to reduce suction and increase maneuverability on carpets.
- MAX:** to increase suction on hard floors.

**NOTE:** Brushroll spins in all modes

### BRUSHROLL INDICATOR LIGHT



**INDICATOR LIGHT**

#### WHAT DOES THE BRUSHROLL INDICATOR LIGHT MEAN?

**Solid Green:** The brushroll is spinning and working as intended.

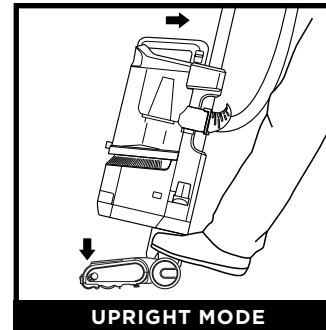
**Solid Red:** There is a jam in the brushroll area. Turn off and unplug the vacuum and remove any blockages in the nozzle.

**Flashing Red:** The motorized floor nozzle is overheating. Turn off the vacuum, unplug it, and remove any blockages. Let the vacuum cool down for at least 60 minutes before restarting. See Troubleshooting section for more information.

**NOTE:** For deep carpet cleaning per ASTM F608, use setting II (Carpet) with max suction.

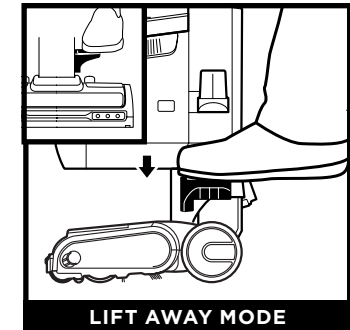
## WHOLE-HOME CLEANING

### CLEANING MODES



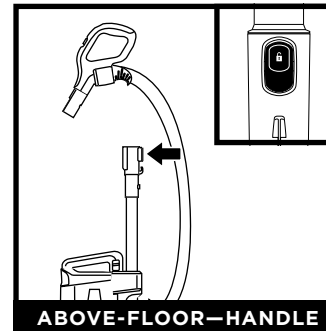
**UPRIGHT MODE**

To engage **Brushroll**, step on floor nozzle and tilt handle back firmly.



**LIFT AWAY MODE**

Step on the pedal on the floor nozzle to lift off the pod.



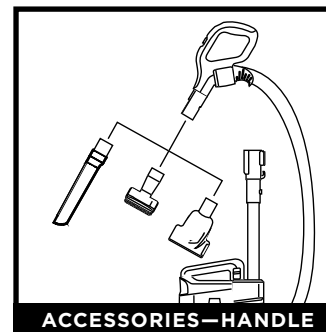
**ABOVE-FLOOR—HANDLE**

Press the **Handle Release** button and pull up on the handle to detach it from the wand.



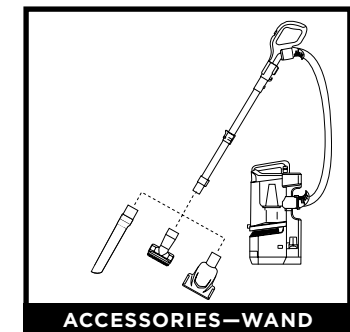
**ABOVE-FLOOR—WAND**

Press the **Wand Release** button and pull up on the wand to detach it from the pod.



**ACCESSORIES—HANDLE**

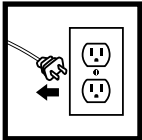
Attach an optional cleaning accessory to handle or wand.



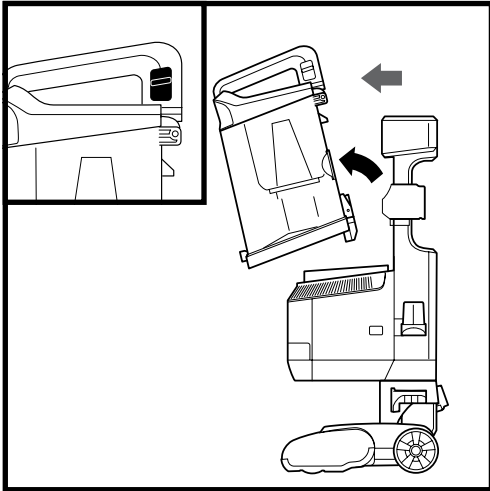
**ACCESSORIES—WAND**

**NOTE:** All accessories are compatible with both the wand and the handle. Included accessories will vary by model.

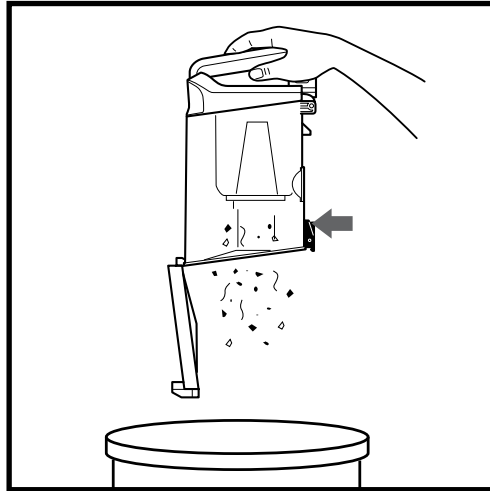
## EMPTYING THE DUST CUP



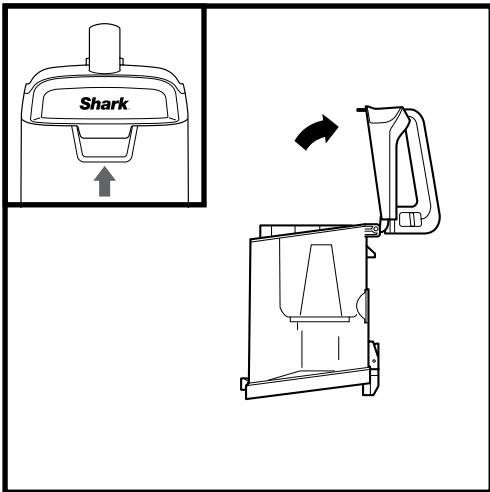
**IMPORTANT:** Unplug the power cord before performing any maintenance.



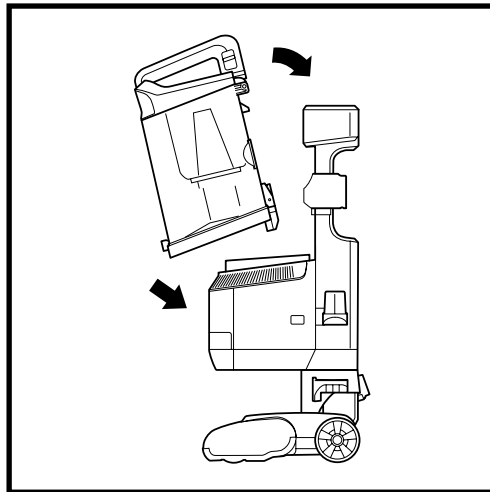
To remove the **Dust Cup**, slide up on the release button located on the side of dust cup handle. Tilt dust cup forward, then lift to remove.



To empty debris into the trash, press the lower release button and the bottom of the dust cup will drop open.



Clear debris from the **Lint Screen** in the dust cup. Lift the upper release tab at the top of the dust cup and open the lid. Gently brush the lint screen to remove debris.



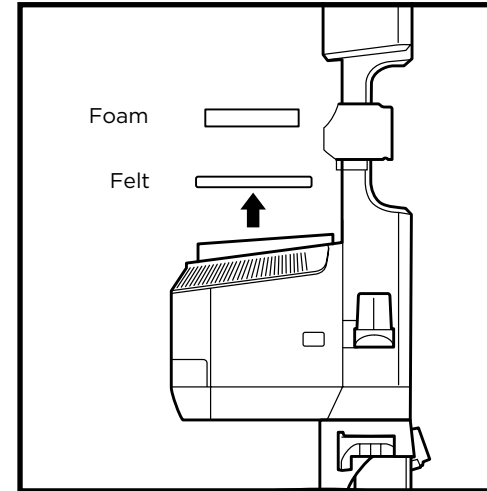
To reinstall, place the bottom of the dust cup onto the pod and then tilt until it clicks into place.

## CLEANING THE FILTERS

**Regularly rinse the filters to maintain your vacuum's suction power.**

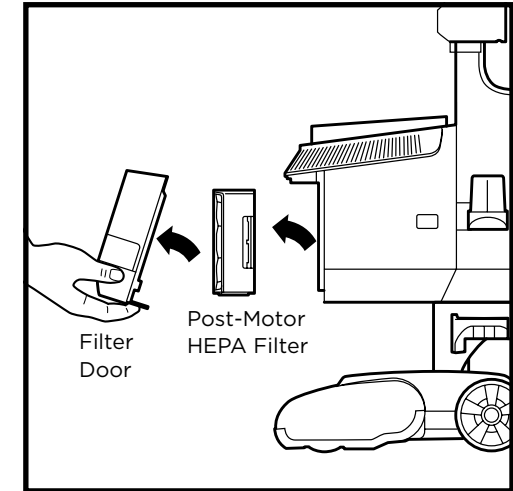
Rinse filters with cold water only. Allow all filters to air-dry for at least 24 hours before reinstalling them to prevent liquid from being drawn into electronic parts.

**IMPORTANT: DO NOT** use soap when cleaning the filters.



RINSE PRE-MOTOR FILTERS  
EVERY MONTH

Remove the **Dust Cup**, then lift out **Filters**.



RINSE HEPA FILTER  
EVERY YEAR

To remove the **HEPA Filter**, first pull the tab on the bottom of the filter door, then lift off the door. Press the tab on the side of the HEPA filter and pull out the filter.

To reinstall the door, align the top first, then press in the bottom until it clicks into place.

## MAINTENANCE

### NOZZLE MAINTENANCE

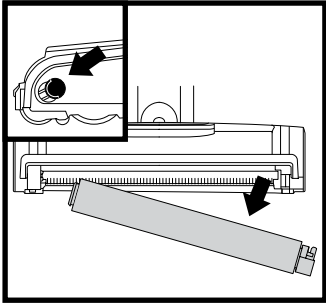
#### SELF-CLEANING BRUSHROLL

If any hair is wrapped around the brushroll, continue vacuuming, using Carpet/Low Pile mode on a bare floor surface, a low-pile carpet, or a small area rug. This will allow the self-cleaning brushroll to remove the hair wrap and send it to the dust cup.

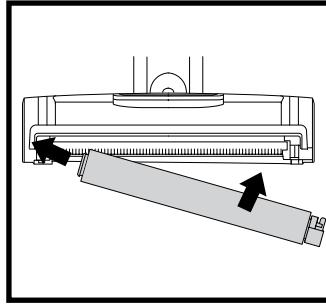
If you run over a hard or sharp object or notice a noise change while vacuuming, check for blockages or objects caught in the brushroll.

If some fibers remain wrapped around the brushroll after continued use, carefully remove them.

#### CLEANING THE SOFT ROLLER

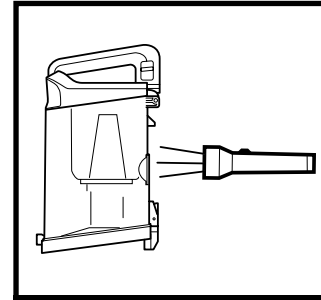


Slide the Soft Roller access button forward to release the Soft Roller.



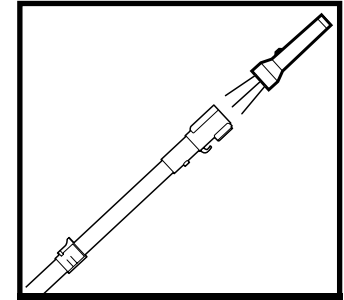
Hand wash the Soft Roller as needed. Use only water, and allow it to air-dry completely for at least 24 hours. Reinsert the Soft Roller in the front of the nozzle until it clicks into place.

## CHECKING FOR BLOCKAGES



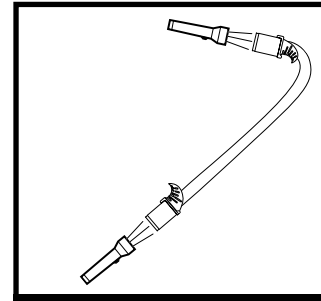
#### DUST CUP BLOCKAGES

Detach dust cup from vacuum pod. Empty dust cup and remove debris from lint screen in the top of the dust cup.



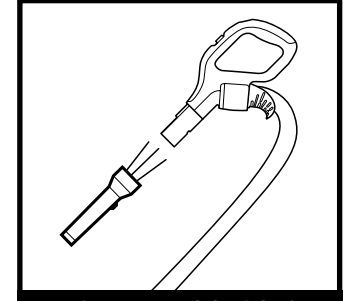
#### WAND BLOCKAGES

Detach wand from pod and handle, and check both ends for blockages.



#### HOSE BLOCKAGES

Detach hose from handle by pressing on the release button at the top of the hose. Detach the hose from the pod, and check openings for blockages.



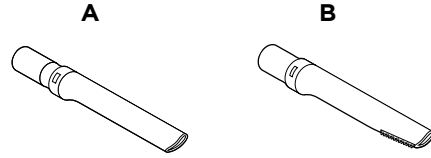
#### HANDLE BLOCKAGES

Detach handle from wand and check openings for blockages.

## AVAILABLE ACCESSORIES

### A Crevice Tool

This slender tool offers extended reach to access corners, baseboards, tight spaces, and ceilings.

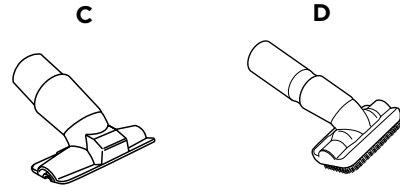


### B Pet Crevice Tool

This versatile, slender 8" tool removes pet hair from hard-to-reach spaces like corners, stairs, and between couch cushions.

### C Upholstery Tool

Picks up hair, dust, and large debris from mattresses, couches, curtains, lampshades, and other delicate upholstered surfaces.

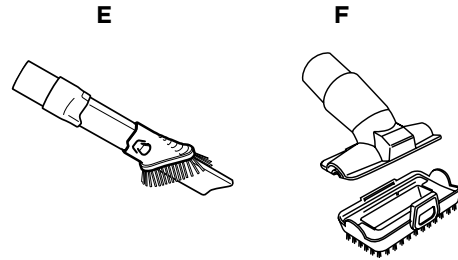


### D Dusting Brush

This brush dusts and cleans delicate surfaces. Great for use on fans, blinds, lampshades, and keyboards.

### E Duster Crevice Tool

Two cleaning tools in one. The crevice tool gives you extended reach to clean in tight spaces, while the soft brush is ideal for dusting delicate surfaces.

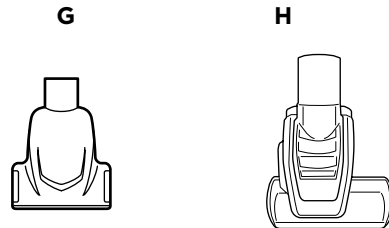


### F Pet Multi-Tool

A single convertible tool for cleaning tough pet messes two ways: use the stiff bristle brush to clean stuck-on debris, or take off the bristles to reveal an upholstery tool perfect for removing stubborn pet hair and large piles of debris.

### G Pet Power Brush

The turbine brush loosens and removes pet hair and debris from carpets, and powerfully deep-cleans dander out of upholstery and other surfaces.



### H Self-Cleaning Pet Power Brush

Tackles pet hair and ground-in dirt from above-floor areas like carpeted stairs and upholstery, while actively removing hair wrap as it cleans.

**NOTE:** Not all accessories come with all units. For a list of the accessories included with this model, see the top inside flap of the box. To order additional accessories, visit [sharkaccessories.com](http://sharkaccessories.com).

## TROUBLESHOOTING

### Vacuum is not picking up debris. No suction or light suction.

- Check filters to see if they need cleaning. Follow instructions for rinsing and air-drying the filters before reinstalling them in the vacuum.
- Dust cup may be full; empty dust cup.
- Check handle, hose, hose connections, nozzle, wand, pod, and accessories for blockages. Clear any blockages found.
- If any string, hair, or carpet fibers are wrapped around the brushroll, carefully cut debris with scissors and remove from brushroll. See Nozzle Maintenance section for more information.

### Vacuum lifts area rugs.

- Make sure Power/Surface switch is set to Hard Floor (setting I).
- Ensure the suction control slider on the handle is set to MIN.
- Suction is powerful. Take care when vacuuming area rugs or rugs with delicately sewn edges.

### Brushroll does not spin in carpet cleaning mode.

- If the brushroll indicator light turns red, immediately turn off and unplug the vacuum. Remove pod from floor nozzle and clear any blockages. Reconnect nozzle, plug in vacuum, and turn on power.
- With the power on, recline the handle, which will automatically turn on the brushroll.
- If this problem persists on thick carpets, move the suction control slider to MIN.

### Vacuum turns off on its own or indicator light flashes red.

If your vacuum overheats, the thermostat will automatically turn the suction motor off. Perform the following steps to restart the thermostat:

1. Turn vacuum off and unplug it.
2. Empty dust cup and clean filters (see Emptying the Dust Cup and Cleaning the Filters).
3. Check for blockages in hose, wand, nozzle, accessories, and inlet openings.
4. Allow unit to cool for a minimum of 60 minutes.
5. Plug in vacuum and restart with the Power/Surface switch.

For all other issues, please visit [sharkclean.com/support](http://sharkclean.com/support).

## FIVE (5) YEAR LIMITED WARRANTY

The Five (5) Year Limited Warranty applies to purchases made from authorized retailers of **SharkNinja Operating LLC**. Warranty coverage applies to the original owner and to the original product only and is not transferable.

SharkNinja warrants that the unit shall be free from defects in material and workmanship for a period of five (5) years from the date of purchase when it is used under normal household conditions and maintained according to the requirements outlined in the Owner's Guide, subject to the following conditions and exclusions:

### What is covered by this warranty?

1. The original unit and/or non-wearable parts deemed defective, in SharkNinja's sole discretion, will be repaired or replaced up to five (5) years from the original purchase date.
2. In the event a replacement unit is issued, the warranty coverage ends six (6) months following the receipt date of the replacement unit or the remainder of the existing warranty, whichever is later. SharkNinja reserves the right to replace the unit with one of equal or greater value.

### What is not covered by this warranty?

1. Normal wear and tear of wearable parts (such as foam filters, HEPA filters, pads, etc.), which require regular maintenance and/or replacement to ensure the proper functioning of your unit, are not covered by this warranty. Replacement parts are available for purchase at **sharkaccessories.com**.
2. Any unit that has been tampered with or used for commercial purposes.
3. Damage caused by misuse (e.g., vacuuming up water or other liquids), abuse, negligent handling, failure to perform required maintenance (e.g., not cleaning the filters), or damage due to mishandling in transit.
4. Consequential and incidental damages.
5. Defects caused by repair persons not authorized by SharkNinja. These defects include damages caused in the process of shipping, altering, or repairing the SharkNinja product (or any of its parts) when the repair is performed by a repair person not authorized by SharkNinja.
6. Products purchased, used, or operated outside North America.

### How to get service

If your appliance fails to operate properly while in use under normal household conditions within the warranty period, visit **sharkclean.com/support** for product care and maintenance self-help. Our Customer Service Specialists are also available at **1-800-798-7398** to assist with product support and warranty service options, including the possibility of upgrading to our VIP warranty service options for select product categories. So we may better assist you, please register your product online at [registryourshark.com](http://registryourshark.com) and have the product on hand when you call.

SharkNinja will cover the cost for the customer to send in the unit to us for repair or replacement. A fee of \$24.95 (subject to change) will be charged when SharkNinja ships the repaired or replacement unit.



### How to initiate a warranty claim

You must call **1-800-798-7398** to initiate a warranty claim. You will need the receipt as proof of purchase. We also ask that you register your product online at [registryourshark.com](http://registryourshark.com) and have the product on hand when you call, so we may better assist you. A Customer Service Specialist will provide you with return and packing instruction information.

### How state law applies

This warranty gives you specific legal rights, and you also may have other rights that vary from state to state. Some states do not permit the exclusion or limitation of incidental or consequential damages, so the above may not apply to you.

## REGISTER YOUR PURCHASE

-  [registryourshark.com](http://registryourshark.com)
-  Scan QR code using mobile device



Benefits of registering your product and creating an account:

- Get easier, faster product support and access to warranty information
- Access troubleshooting and product care instructions
- Be among the first to know about exclusive product promotions

**TIP:** You can find the model and serial numbers on the QR code label on the bottom of the back of the vacuum pod.

## RECORD THIS INFORMATION

Model Number: \_\_\_\_\_

Serial Number: \_\_\_\_\_

Date of Purchase: \_\_\_\_\_  
(Keep receipt)

Store of Purchase: \_\_\_\_\_

## TECHNICAL SPECIFICATIONS

Voltage: 120V~, 60Hz

Watts: 960W



# CONSIGNES DE SÉCURITÉ IMPORTANTES

POUR USAGE DOMESTIQUE SEULEMENT • VEUILLEZ LIRE LES DIRECTIVES ATTENTIVEMENT AVANT L'UTILISATION

Si la fiche d'alimentation ne s'insère pas à fond dans la prise de courant, inversez alors le sens de la fiche. Si elle ne s'insère toujours pas, communiquez avec un électricien qualifié. **NE FORCEZ PAS** pour insérer la fiche dans la prise et ne tentez pas de la modifier.

## ⚠ AVERTISSEMENT

Afin de réduire les risques d'incendie, de décharges électriques, de blessure ou de dommage matériel :

### AVERTISSEMENTS GÉNÉRAUX

1. Votre aspirateur pourrait être composé d'une buse motorisée, d'un tube, d'un tuyau ou d'un réceptacle. Cet appareil comporte des raccordements électriques, du filage électrique et des pièces amovibles pouvant exposer l'utilisateur à certains risques.
2. Utilisez uniquement des pièces de rechange identiques.
3. Respectez et suivez attentivement les instructions ci-dessous afin d'éviter tout usage inadéquat de l'appareil. **N'UTILISEZ PAS** l'aspirateur pour un usage autre que ceux décrits dans le présent manuel.
4. Avant d'utiliser l'appareil, inspectez soigneusement toutes les pièces afin de déceler tout dommage. **NE L'UTILISEZ PAS** s'il est endommagé.
5. L'utilisation d'une rallonge électrique **N'EST PAS** recommandée.
6. Cet aspirateur ne renferme aucune pièce pouvant être réparée par l'utilisateur.

### AVERTISSEMENTS CONCERNANT L'UTILISATION

7. Cet appareil peut être utilisé par des personnes dont les capacités physiques, sensorielles ou mentales sont réduites ou qui manquent d'expérience et de connaissances seulement si elles ont été supervisées ou instruites par rapport à l'utilisation sécuritaire de l'appareil et si elles comprennent les dangers possibles. Les enfants ne peuvent pas nettoyer ni entretenir l'appareil.
8. Gardez l'appareil et son câble hors de la portée des enfants. **NE LAISSEZ PAS** les enfants se servir de l'appareil. **NE PERMETTEZ PAS** de l'utiliser comme un jouet. Une surveillance étroite est nécessaire lorsque l'appareil est utilisé en présence d'enfants.

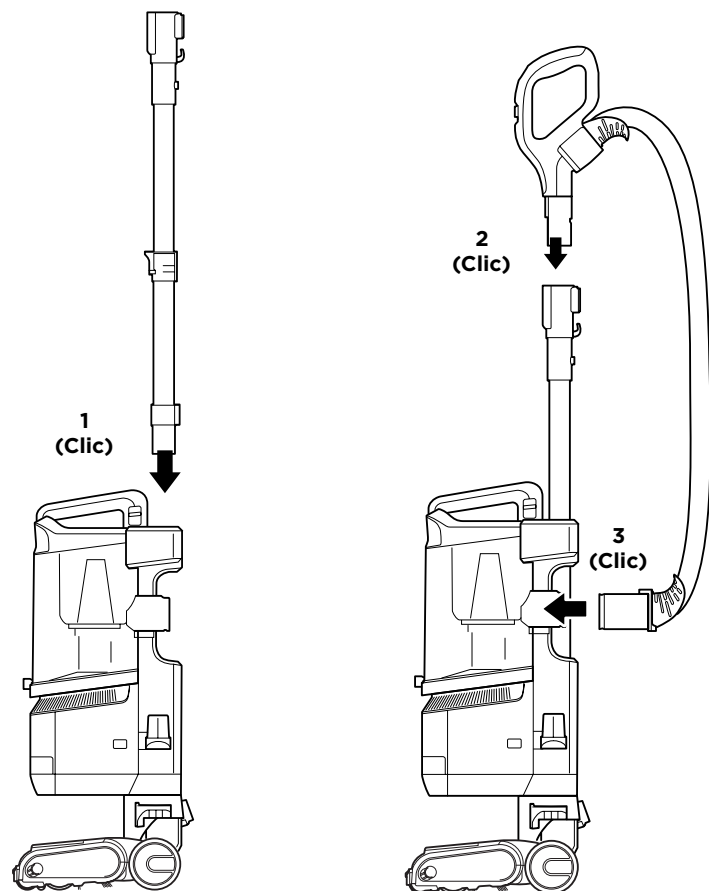
9. Mettez toujours l'aspirateur hors tension avant d'attacher ou de détacher la buse motorisée ou un autre accessoire.
10. **NE MANIPULEZ PAS** la fiche ou l'aspirateur avec les mains mouillées.
11. **N'UTILISEZ PAS** l'appareil si les filtres ne sont pas en place.
12. Utilisez uniquement des filtres et des accessoires de marque Shark®.
13. **PRENEZ SOIN DE NE PAS ENDOMMAGER** le cordon d'alimentation :
  - a) **N'UTILISEZ PAS** le cordon d'alimentation comme poignée pour transporter ou pour tirer l'aspirateur.
  - b) **NE DÉBRANCHEZ PAS** l'appareil en tirant sur le cordon d'alimentation. Agrippez la fiche et non le cordon d'alimentation.
  - c) **NE PASSEZ PAS** l'aspirateur sur le cordon d'alimentation, ne fermez pas de porte sur le cordon, ne tendez pas le cordon sur des coins pointus et ne laissez pas le cordon près de surfaces chaudes.
14. **ÉVITEZ** d'insérer des objets dans les ouvertures de la buse ou de tout autre accessoire. **N'UTILISEZ PAS** l'appareil si une ouverture est obstruée. Veillez à ce que les ouvertures ne soient pas bloquées par de la poussière, de la peluche, des cheveux ou tout autre élément qui pourrait gêner la circulation de l'air.
15. **N'UTILISEZ PAS** l'appareil si le flux d'air de la buse ou de l'accessoire est obstrué. Si la buse de plancher motorisée ou les conduits d'air deviennent obstrués, éteignez l'aspirateur et débranchez-le de la prise de courant. Retirez toute obstruction avant de remettre l'appareil en marche.

16. Tenez la buse et tous les orifices de l'aspirateur éloignés des cheveux, du visage, des doigts, des pieds déchaussés ou de vêtements amples.
17. **N'UTILISEZ PAS** l'aspirateur s'il ne fonctionne pas comme prévu, ou s'il a été échappé sur le sol, endommagé, laissé à l'extérieur ou immergé.
18. Soyez extrêmement prudent lorsque vous nettoyez les escaliers.
19. **NE LAISSEZ PAS** l'aspirateur sans surveillance lorsqu'il est branché.
20. Lorsqu'il est en marche, gardez l'aspirateur en mouvement sur le tapis en tout temps, afin d'éviter d'endommager les fibres du tapis.
21. **NE PLACEZ PAS** l'aspirateur sur des surfaces instables comme des chaises ou des tables.
22. Votre aspirateur Shark® pourrait ne pas avoir été conçu pour se maintenir de lui-même en position verticale. Lorsque vous prenez une pause, vous devez peut-être l'appuyer contre un meuble ou un mur, ou le placer sur le plancher. Toute utilisation où l'aspirateur serait dans une position instable pourrait entraîner des blessures corporelles.
23. **N'UTILISEZ PAS** l'appareil pour aspirer :
  - a) Des liquides
  - b) Des objets de grande taille
  - c) Des objets durs ou tranchants (verre, clous, vis ou pièces de monnaie)
  - d) De grandes quantités de poussière (poussière de cloison sèche, cendres ou braises de foyer). **N'UTILISEZ PAS** l'aspirateur comme accessoire pour un outil électrique pour l'aspiration de la poussière.
  - e) Des objets fumants ou brûlants (charbons ardents, mégots de cigarettes ou allumettes)
- f) Des matériaux inflammables ou combustibles (essence à briquet, essence ou kérosène)
- g) Des matières toxiques (eau de Javel, ammoniac ou produit débouchant)
24. **N'UTILISEZ PAS** l'appareil dans les endroits suivants :
  - a) Les endroits faiblement éclairés
  - b) Les surfaces humides ou mouillées
  - c) À l'extérieur
  - d) Dans des endroits fermés pouvant contenir des matières explosives, ou des fumées ou vapeurs toxiques (essence à briquet, essence, kérosène, peinture, diluants à peinture, produits de traitement antimite ou poussières inflammables)
25. Fermez toutes les commandes avant de brancher ou de débrancher l'aspirateur.
26. Débranchez l'appareil de la prise murale lorsqu'il n'est pas en usage, et avant d'en faire l'entretien ou de le nettoyer.
27. Lavez à la main avec de l'eau seulement. L'utilisation de produits chimiques de nettoyage pourrait endommager l'appareil.
28. Pendant le nettoyage ou l'entretien, **NE COUPEZ AUCUNE** matière autre que des cheveux, des fibres ou de la ficelle enroulés autour de la brosse rotative.
29. Laissez tous les filtres sécher complètement avant de les remettre dans l'aspirateur pour éviter que du liquide ne soit aspiré dans les composants électriques.
30. Après avoir effectué l'entretien de routine, assurez-vous que le récipient à poussière et tous les filtres sont en place.
31. Le cas échéant, fixez le cordon d'alimentation autour des deux crochets avant de ranger l'appareil.

Afin de réduire le risque d'électrocution, cet appareil est muni d'une fiche polarisée (une lame étant plus large que l'autre). Cette fiche d'alimentation s'insère dans une prise de courant polarisée dans un seul sens. Si la fiche ne s'insère pas entièrement dans la prise, inversez-la. Si elle ne s'insère toujours pas, communiquez avec un électricien qualifié pour faire installer une prise de courant appropriée. Ne modifiez pas la fiche d'alimentation, de quelque façon que ce soit.

## CONSERVEZ CES INSTRUCTIONS

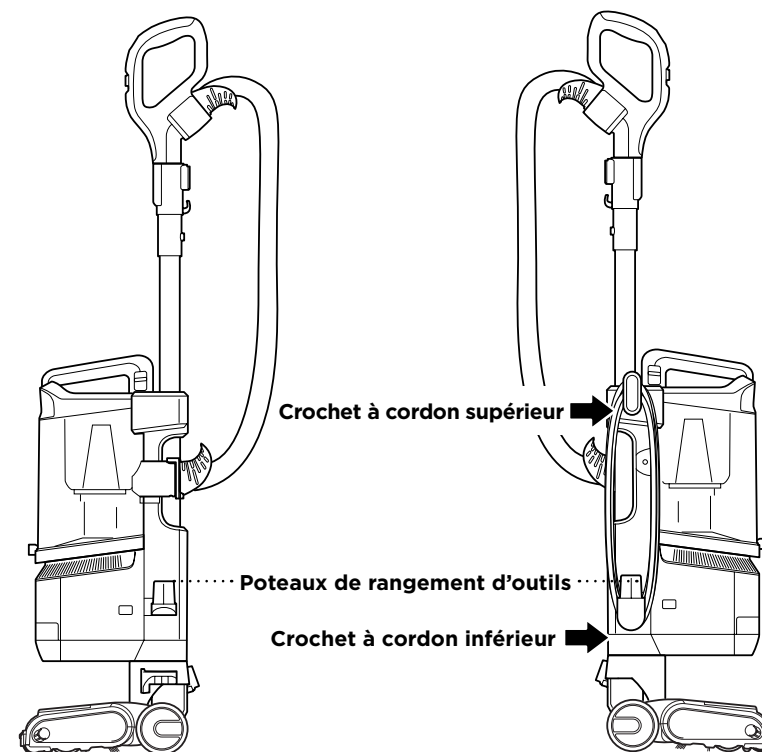
## ASSEMBLAGE



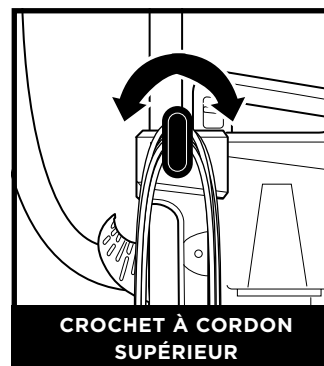
1. Insérez le **tube** dans le réceptacle.
2. Insérez la **poignée** dans le tube.
3. Fixez le **tuyau** à l'arrière du réceptacle de l'aspirateur.

Pour assurer un fonctionnement adéquat de l'appareil, assurez-vous que toutes les pièces sont maintenues fermement en place.

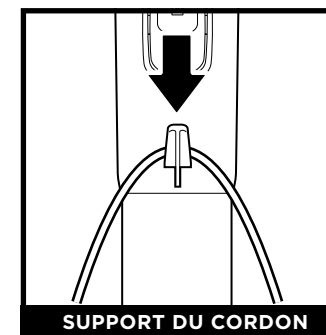
## ASSEMBLAGE



## CORDON D'ALIMENTATION

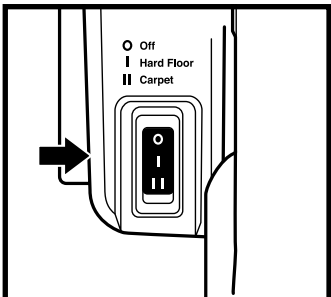


Pour accéder rapidement au cordon, faites pivoter le crochet supérieur vers le bas et retirez le cordon.



Utilisez le support du cordon situé sur le côté du tube pour maintenir le cordon en place pendant que vous passez l'aspirateur.

RÉGLAGES

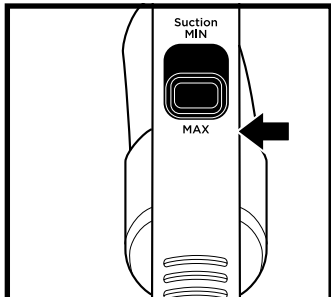


**BOUTON POWER/SURFACE (MISE EN MARCHÉ/SURFACE)**

Sélectionnez la mise en place de la surface :

- Power Off (arrêt)**
- I Hard Floor (plancher)**  
Pour les planchers et les petits tapis.
- II Carpet (tapis)**  
Pour les tapis.

**REMARQUE :** Les brosses rotatives tournent dans tous les modes



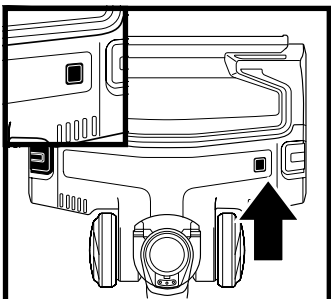
**SÉLECTEUR DE PUISSANCE D'ASPIRATION**

Le **bouton du sélecteur de puissance d'aspiration**, située sur la poignée, permet d'ajuster l'aspiration en fonction du type de plancher.

**MIN (minimum) :** pour réduire l'aspiration et augmenter la maniabilité sur les tapis.

**MAX (maximum) :** pour augmenter l'aspiration sur les planchers.

VOYANT INDICATEUR DE LA BROSSSE ROTATIVE



**VOYANT INDICATEUR**

**QU'INDIQUENT LES VOYANTS INDICATEURS DE LA BROSSSE ROTATIVE?**

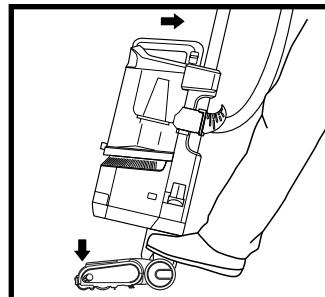
**Vert uni :** La brosse rotative est en marche et fonctionne comme prévu.

**Rouge uni :** Une obstruction a été détectée dans la zone de la brosse rotative. Éteignez l'aspirateur, débranchez-le et retirez l'élément qui cause l'obstruction dans la buse.

**Rouge clignotant :** La buse de plancher motorisée surchauffe. Éteignez l'aspirateur, débranchez-le et retirez tout élément causant l'obstruction. Laissez l'aspirateur refroidir pendant au moins 60 minutes avant de le remettre en marche. Consultez la section de dépannage pour obtenir plus de renseignements.

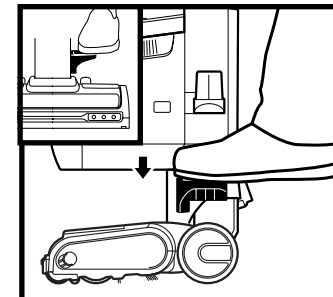
**REMARQUE :** Pour un nettoyage de tapis en profondeur conformément à la norme ASTM F608, utilisez le réglage II Carpet (tapis) avec une aspiration maximale.

MODES DE NETTOYAGE



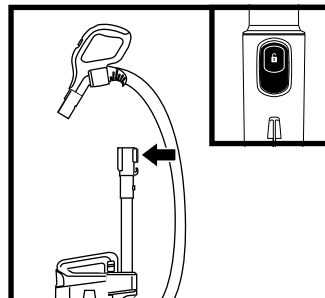
**MODE VERTICAL**

Pour activer la **brosse rotative**, appuyez sur la buse de plancher et inclinez la poignée vers l'arrière.



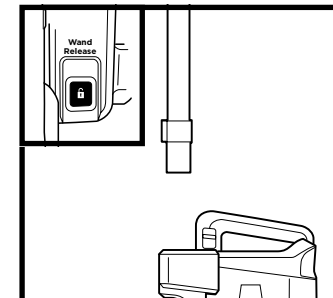
**MODE LIFT-AWAY**

Appuyez sur la pédale située sur la buse de plancher pour le retirer du réceptacle.



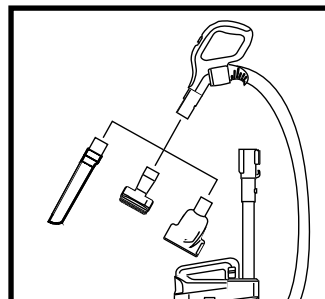
**AU-DESSUS DU SOL - POIGNÉE**

Appuyez sur le bouton **Handle Release** (dégagement de la poignée) et tirez sur la poignée afin de la détacher du tube.



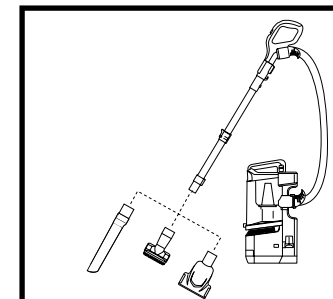
**AU-DESSUS DU SOL - TUBE**

Appuyez sur le bouton **Wand Release** (dégagement du tube) et tirez sur le tube afin de le détacher du réceptacle.



**ACCESSOIRES - POIGNÉE**

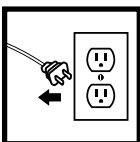
Fixez un accessoire de nettoyage facultatif à la poignée ou au tube.



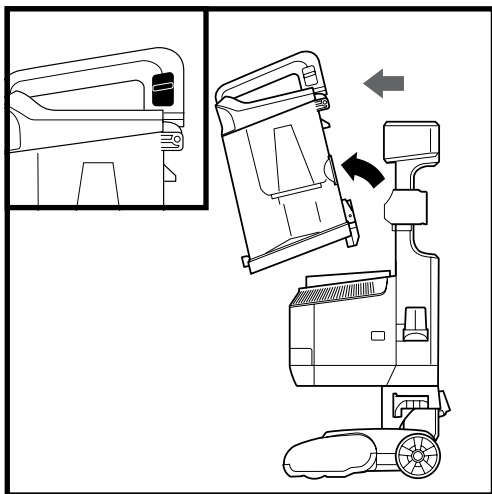
**ACCESSOIRES - TUBE**

**REMARQUE :** Tous les accessoires sont compatibles avec le tube et la poignée. Les accessoires inclus varient en fonction du modèle.

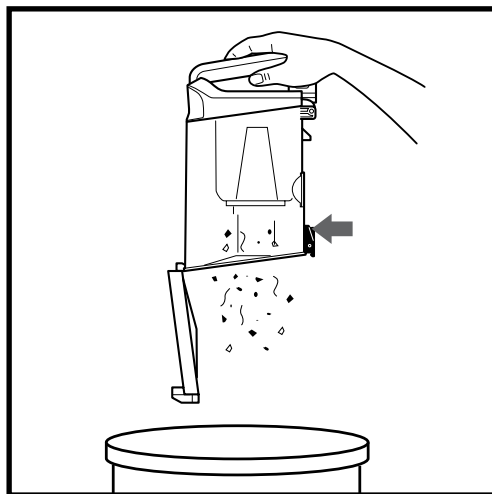
## VIDANGE DU RÉCIPENT À POUSSIÈRE



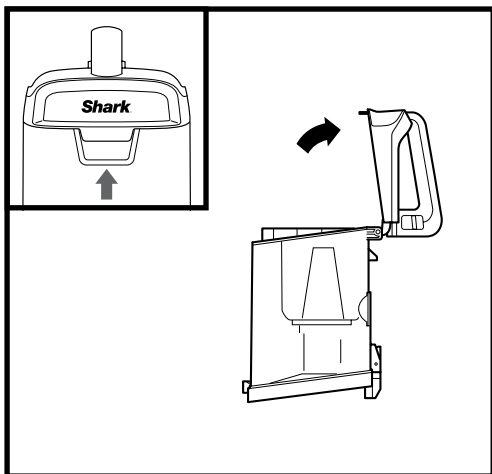
**IMPORTANT :** Débranchez le cordon d'alimentation avant d'effectuer tout entretien.



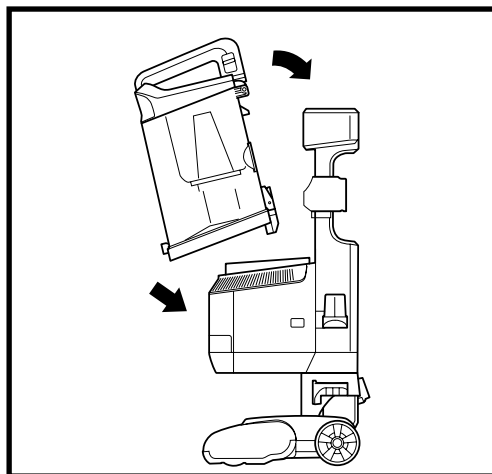
Pour retirer le **réceptacle à poussière**, faites glisser vers le haut le bouton de dégagement situé sur le côté de la poignée du réceptacle à poussière. Inclinez le réceptacle à poussière vers l'avant, puis soulevez-le afin de le retirer.



Pour jeter les débris aux ordures, appuyez sur le bouton de dégagement inférieur et le bas du réceptacle à poussière s'ouvrira.



Retirez les débris du **filtre à charpie** dans le réceptacle à poussière. Soulevez l'onglet de dégagement supérieur sur le dessus du réceptacle à poussière et ouvrez le couvercle. Brossez doucement le filtre à charpie pour enlever les débris.



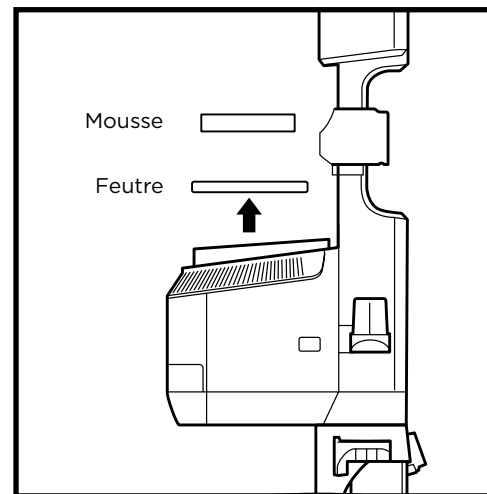
Afin de réinstaller le réceptacle à poussière, placez la partie inférieure sur le réceptacle, puis inclinez-le jusqu'à ce que vous entendiez un dé clic.

## NETTOYAGE DES FILTRES

**Rincez régulièrement les filtres afin de maintenir la puissance d'aspiration de votre aspirateur.**

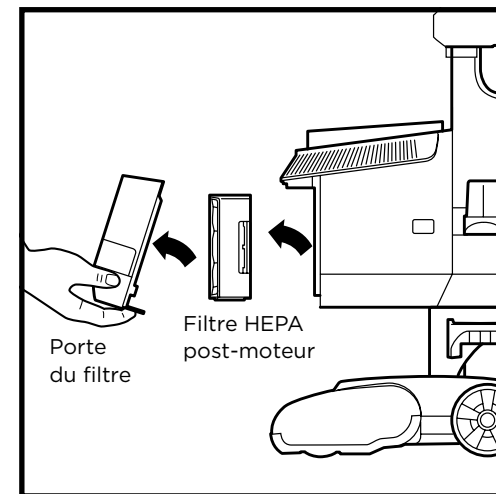
Rincez les filtres à l'eau froide seulement. Laissez tous les filtres sécher entièrement au moins 24 heures avant de les remettre dans l'aspirateur pour éviter que l'eau ne soit aspirée dans les composants électroniques.

**IMPORTANT :** N'UTILISEZ PAS de savon pour nettoyer les filtres.



**RINCEZ LES FILTRES PRÉ-MOTEUR TOUS LES MOIS**

Retirez le **réceptacle à poussière**, puis soulevez les **filtres**.



**RINCEZ LE FILTRE HEPA TOUS LES ANS**

Pour retirer le **filtre HEPA**, tirez tout d'abord sur la languette située au bas de la porte du filtre, puis soulevez la porte. Appuyez sur la languette située sur le côté du filtre HEPA et retirez le filtre.

Pour réinstaller la porte, alignez tout d'abord le haut, puis appuyez le bas jusqu'à ce que vous entendiez un clic.

## ENTRETIEN

### ENTRETIEN DE LA BUSE

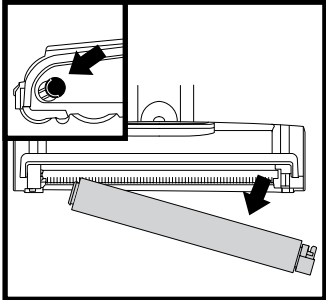
#### BROSSE ROTATIVE AUTONETTOYANTE

S'il y a des cheveux enroulés autour de la brosse rotative, continuez à passer l'aspirateur en utilisant le mode Carpet/Low Pile (carpettes/tapis à poils courts) sur les planchers, les tapis à poils courts ou les carpettes. Ainsi, la brosse rotative autonettoyante pourra enlever les cheveux enroulés et les envoyer dans le récipient à poussière.

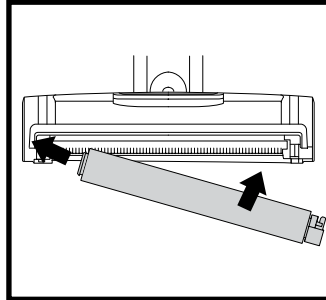
Si vous passez l'aspirateur sur un objet dur ou tranchant ou que vous remarquez un changement de bruit pendant que vous passez l'aspirateur, vérifiez la présence d'obstructions ou d'objets coincés dans la brosse rotative.

Si certaines fibres restent enroulées autour de la brosse rotative après une utilisation continue, enlevez-les soigneusement.

### NETTOYAGE DU ROULEAU DOUX

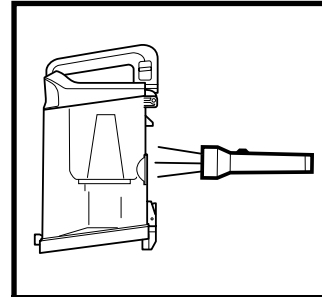


Pour enlever le rouleau doux, faites glisser le bouton d'accès de ce dernier vers le haut.



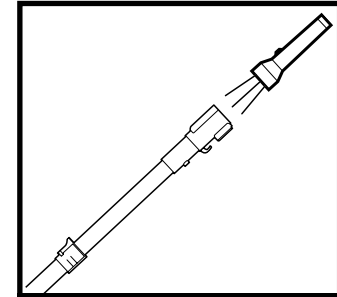
Lavez le rouleau doux à la main au besoin. Utilisez uniquement de l'eau et laissez-le sécher entièrement à l'air libre pendant au moins 24 heures. Réinsérez le rouleau doux à l'avant de la buse jusqu'à ce qu'un clic se fasse entendre.

## VÉRIFICATION DE LA PRÉSENCE D'OBSTRUCTIONS



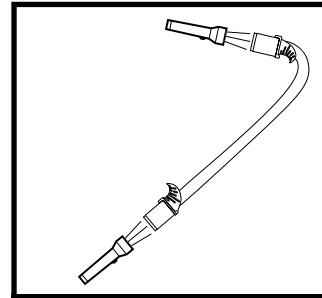
#### OBSTRUCTIONS DU RÉCIPENT À POUSSIÈRE

Détachez le récipient à poussière du réceptacle de l'aspirateur. Videz le récipient à poussière et enlevez les débris du filtre à charpie dans la partie supérieure du récipient à poussière.



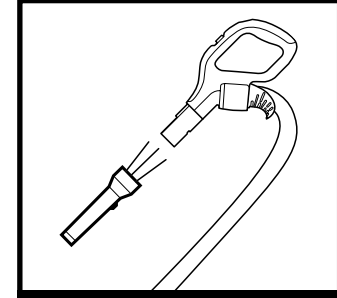
#### OBSTRUCTIONS DU TUBE

Détachez le tube du réceptacle et de la poignée et vérifiez s'il y a des obstructions des deux côtés.



#### OBSTRUCTIONS DU TUYAU

Détachez le tuyau de la poignée en appuyant sur le bouton de dégagement situé en haut du tuyau. Détachez le tuyau du réceptacle et vérifiez si l'ouverture n'est pas obstruée.



#### OBSTRUCTIONS DE LA POIGNÉE

Détachez la poignée du tube et vérifiez si l'ouverture n'est pas obstruée.

## ACCESSOIRES DISPONIBLES

### A Suceur plat

Cet accessoire effilé permet d'accéder aux coins, aux plinthes et aux endroits exigus et d'atteindre les plafonds.

### B Suceur plat pour poils d'animaux de compagnie

Cet outil polyvalent et effilé de 20 cm enlève les poils d'animaux des endroits difficiles d'accès comme les coins, les plafonds et entre les coussins.

### C Outil à meubles

Enlève les cheveux, la poussière et les gros débris des matelas, des canapés, des rideaux, des abat-jours et des autres surfaces délicates de vos meubles.

### D Brosse à épousseter

Cette brosse époussette et nettoie les surfaces délicates. Elle est parfaite pour nettoyer les ventilateurs, les stores, les abat-jours et les claviers.

### E Outil suceur plat avec brosse à épousseter

Deux accessoires pour le nettoyage en un. Le suceur plat vous permet de mieux atteindre des espaces restreints à nettoyer, tandis que la brosse douce à épousseter est parfaite pour nettoyer des surfaces délicates.

### F Accessoire polyvalent pour les poils d'animaux de compagnie

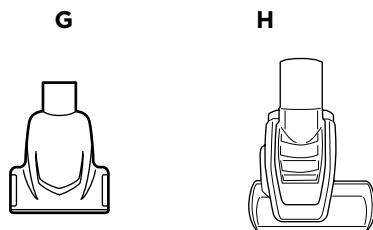
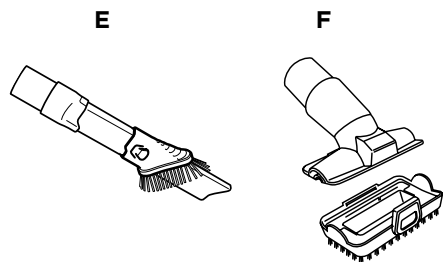
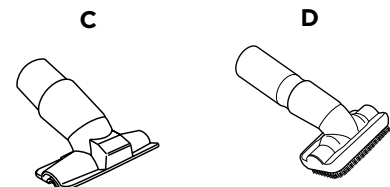
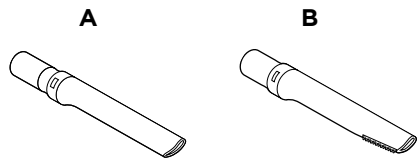
Un seul outil convertible pour nettoyer les dégâts des animaux de compagnie de deux manières : utilisez la brosse à poils rigides pour nettoyer les débris tenaces, ou retirez la brosse à poils pour révéler un outil à meubles parfait pour enlever les poils d'animaux tenaces et les gros amas de débris.

### G Brosse motorisée pour les poils d'animaux

La brosse à turbine détache et élimine les poils d'animaux et les débris des tapis, et nettoie en profondeur et avec puissance les squames des tissus de meubles et d'autres surfaces.

### H Brosse motorisée pour les poils d'animaux autonettoyante

S'attaque aux poils d'animaux domestiques et à la saleté incrustée dans les zones surélevées, comme les marches recouvertes de tapis et les meubles en tissu, tout en retirant activement les poils pendant qu'elle nettoie.



## DÉPANNAGE

### L'aspirateur ne ramasse pas la poussière. Aucune aspiration ou aspiration faible.

- Vérifiez les filtres pour voir s'ils doivent être nettoyés. Suivez les instructions de rinçage et de séchage des filtres avant de les réinsérer dans l'aspirateur.
- Le récipient à poussière pourrait être plein; videz-le, le cas échéant.
- Vérifiez la poignée, le tuyau, les raccords du tuyau, la buse, le tube, le réceptacle et les accessoires pour déterminer s'ils sont obstrués. Éliminez toute obstruction, le cas échéant.
- Si des ficelles, des cheveux ou des fibres de tapis restent entourés autour de la brosse rotative, coupez délicatement les débris avec des ciseaux et retirez-les de la brosse rotative. Consultez la section d'entretien de la buse pour de plus amples renseignements.

### L'aspirateur soulève les carpettes.

- Assurez-vous que le bouton Power/Surface (mise en marche/surface) est réglé à Hard Floor (plancher) (réglage I).
- Assurez-vous que le bouton du sélecteur de puissance d'aspiration sur la poignée est réglé à MIN (minimum).
- La succion est puissante. Faites attention lorsque vous passez l'aspirateur sur les carpettes et sur les tapis à bordure cousue délicate.

### La brosse rotative ne tourne pas en mode de nettoyage de tapis.

- Si le voyant indicateur de la brosse rotative devient rouge, éteignez et débranchez immédiatement l'aspirateur. Retirez le réceptacle de la buse de plancher et éliminez toutes les obstructions. Refixez la buse, branchez l'aspirateur et mettez-le en marche.
- Lorsque l'aspirateur est en marche, inclinez la poignée; cela activera automatiquement la brosse rotative.
- Si le problème persiste sur les tapis épais, réglez le bouton du sélecteur de puissance d'aspiration à MIN (minimum).

### L'aspirateur s'éteint tout seul ou le voyant indicateur clignote en rouge.

Si votre aspirateur surchauffe, le thermostat éteindra automatiquement le moteur de succion de l'appareil. Effectuez les étapes ci-dessous pour réinitialiser le thermostat :

1. Éteignez l'aspirateur et débranchez-le.
2. Videz le récipient à poussière et nettoyez les filtres (voir Vidange du récipient à poussière et Nettoyage des filtres).
3. Vérifiez s'il y a des obstructions dans le tuyau, le tube, la buse, les accessoires et les orifices d'entrée.
4. Laissez refroidir l'appareil pendant au moins 60 minutes.
5. Branchez l'aspirateur et remettez-le en marche à l'aide du bouton Power/Surface (mise en marche/surface).

**REMARQUE :** Tous les accessoires ne sont pas fournis avec tous les appareils. Pour une liste des accessoires inclus avec ce modèle, consultez le rabat intérieur supérieur de la boîte. Pour acheter des accessoires supplémentaires, consultez le site [sharkaccessories.com](http://sharkaccessories.com).

Si vous éprouvez toute autre difficulté, veuillez consulter le site [sharkclean.com/support](http://sharkclean.com/support).

## GARANTIE LIMITÉE DE CINQ (5) ANS

La garantie limitée de cinq (5) ans s'applique aux achats effectués auprès de détaillants autorisés de **SharkNinja Operating LLC**. La garantie s'applique uniquement au premier propriétaire et au produit original et n'est pas transférable.

SharkNinja garantit ce produit contre toute défectuosité de matériau ou de main-d'œuvre pour une période de cinq (5) ans à compter de la date d'achat, dans le cadre d'un usage domestique normal et si le produit est entretenu conformément aux exigences décrites dans le guide de l'utilisateur, sujet aux conditions et aux exclusions ci-dessous :

### Qu'est-ce qui est couvert par cette garantie?

1. L'appareil d'origine ou les pièces inusables considérés comme défectueux, à la seule discrétion de SharkNinja, seront réparés ou remplacés jusqu'à cinq (5) ans à compter de la date d'achat initiale.
2. Dans le cas d'un remplacement de l'appareil, la garantie prendra fin six (6) mois après la date de réception de l'appareil de remplacement ou pendant le reste de la période de garantie existante, selon la période la plus longue. SharkNinja se réserve le droit de remplacer l'appareil par un autre de valeur égale ou supérieure.

### Qu'est-ce qui n'est pas couvert par cette garantie?

1. L'usure normale des pièces (comme les filtres en mousse, les filtres HEPA, les tampons, etc.) qui nécessitent un entretien et/ou un remplacement réguliers afin d'assurer le bon fonctionnement de votre appareil n'est pas couverte par cette garantie. Vous pouvez faire l'achat de pièces de rechange par l'entremise du site [sharkaccessories.com](http://sharkaccessories.com).
2. Les appareils ayant été altérés ou utilisés à des fins commerciales.
3. Les dommages causés par une mauvaise utilisation (comme aspirer de l'eau ou d'autres liquides), un abus, une négligence lors de la manipulation, un manquement à l'entretien nécessaire (comme ne pas nettoyer les filtres), ou un dommage dû à une mauvaise manipulation pendant le transport.
4. Les dommages indirects et accidentels.
5. Les défaillances causées par des réparateurs non autorisés par SharkNinja. Ces défectuosités incluent les dommages causés lors du processus d'expédition, de modification ou de réparation du produit SharkNinja (ou de l'une de ses pièces) lorsque la réparation est effectuée par un réparateur non autorisé par SharkNinja.
6. Les produits achetés, utilisés ou mis en fonction à l'extérieur de l'Amérique du Nord.

### Comment obtenir du service

Si votre appareil ne fonctionne pas comme il le devrait lors d'un usage domestique normal pendant la période de garantie, consultez le site [sharkclean.com/support](http://sharkclean.com/support) pour obtenir des renseignements au sujet des soins et de l'entretien du produit. Nos spécialistes du service à la clientèle sont aussi disponibles au **1 800 798-7398** pour de l'assistance sur les produits et les options de garantie de service offertes, y compris la possibilité de passer à nos options de garantie de service VIP pour certaines catégories de produits. Afin que nous puissions mieux vous aider, veuillez enregistrer votre produit en ligne au [registeryourshark.com](http://registeryourshark.com) et ayez le produit à portée de main lorsque vous appelez.

SharkNinja assumera les frais de retour de l'appareil à nos sites par le consommateur en vue de la réparation ou du remplacement de l'appareil. Un montant de 24,95 \$ (sujet à changement) sera facturé lorsque SharkNinja expédiera l'appareil réparé ou remplacé.

### Comment présenter une demande de service sous garantie

Vous devez téléphoner au **1 800 798-7398** pour soumettre une réclamation au titre de la garantie. Vous aurez besoin du reçu comme preuve d'achat. Nous vous demandons également d'enregistrer votre produit en ligne au [registeryourshark.com](http://registeryourshark.com) et d'avoir le produit à portée de main lorsque vous appelez afin que nous puissions mieux vous aider. Un spécialiste du service à la clientèle vous fournira les directives d'emballage et de retour.

### Manière dont les lois provinciales ou étatiques s'appliquent

Cette garantie vous accorde des droits spécifiques légaux et vous pouvez aussi bénéficier d'autres droits qui varient d'une province ou d'un État à l'autre. Certains États américains ou certaines provinces canadiennes n'acceptent pas l'exclusion ou la limitation de dommages accessoires ou indirects, de sorte que les dispositions ci-dessus peuvent ne pas s'appliquer à votre cas.

## ENREGISTREZ VOTRE ACHAT



[registeryourshark.com](http://registeryourshark.com)



Numérisez le code QR avec votre appareil mobile



Avantages d'enregistrer votre produit et de créer un compte :

- Obtenez un service après-vente plus facile et plus rapide, et accédez aux informations de garantie
- Accédez au dépannage et aux instructions d'entretien du produit
- Soyez parmi les premiers à connaître les promotions de produits exclusives

**CONSEIL :** Le numéro de modèle et le numéro de série sont indiqués sur l'étiquette de code QR située en bas, à l'arrière du réceptacle de l'aspirateur.

## NOTEZ LES RENSEIGNEMENTS CI-DESSOUS

Numéro de modèle : \_\_\_\_\_

Numéro de série : \_\_\_\_\_

Date d'achat : \_\_\_\_\_  
(Conservez la facture)

Magasin où l'appareil a été acheté : \_\_\_\_\_

## CARACTÉRISTIQUES TECHNIQUES

Tension : 120 V~, 60 Hz

Puissance : 960 W

# INSTRUCCIONES IMPORTANTES DE SEGURIDAD

SOLO PARA USO DOMÉSTICO • LEA LAS INSTRUCCIONES DETENIDAMENTE ANTES DE USAR EL PRODUCTO

Si el enchufe no entra bien en la toma de corriente, invierta el enchufe. Si de todas formas no encaja, comuníquese con un electricista calificado. NO lo fuerce en la toma de corriente ni intente modificarlo para que se adapte.

## ⚠ ADVERTENCIA

Para reducir el riesgo de incendio, descarga eléctrica, lesión o daños a la propiedad:

### ADVERTENCIAS GENERALES

1. La aspiradora puede contener una boquilla de piso motorizada, un vástago, una manguera y un receptáculo de aspiradora. Esta unidad contiene conexiones eléctricas, cableado eléctrico y piezas móviles que pueden representar un riesgo para el usuario.
2. Use únicamente piezas de repuesto idénticas.
3. Observe y siga detenidamente las siguientes instrucciones para evitar el uso incorrecto del electrodoméstico. **NO** use la aspiradora para otro fin que no sea el que se describe en este manual.
4. Antes de usarla, inspeccione todas las piezas para verificar que no tengan daños. **NO** use ninguna pieza que esté dañada.
5. El uso de un cable de extensión **NO** se recomienda.
6. Esta aspiradora contiene piezas que no se reparan.

### ADVERTENCIAS PARA EL USO

7. Este electrodoméstico lo pueden utilizar personas con capacidades físicas, sensoriales o mentales disminuidas o que carecen de experiencia y conocimientos si han recibido la supervisión o instrucciones relacionadas con el uso del electrodoméstico de forma segura, y si comprenden los peligros. Los niños no deben realizar la limpieza y el mantenimiento del aparato.
8. Mantenga este electrodoméstico y su cable fuera del alcance de los niños. **NO** permita que los niños usen el electrodoméstico. **NO** permita que los niños usen el electrodoméstico como un juguete. Es necesaria una supervisión minuciosa cuando se utiliza cerca de los niños.

9. Siempre apague la aspiradora antes de conectar o desconectar cualquier boquilla de piso motorizada u otros accesorios.
10. **NO** manipule el enchufe o la aspiradora con las manos mojadas.
11. **NO** la use sin los filtros colocados en su lugar.
12. Solo use filtros y accesorios de la marca Shark®.
13. **NO** dañe el cable de alimentación:
  - a) **NO** tire del cable ni cargue la aspiradora del cable ni use el cable como un mango.
  - b) **NO** desenchufe tirando del cable. Sujete el enchufe, no el cable.
  - c) **NO** pase la aspiradora sobre el cable de alimentación, ni cierre una puerta sobre el cable, ni tire del cable alrededor de esquinas afiladas, tampoco deje el cable cerca de superficies calientes.
14. **NO** coloque ningún objeto dentro de la boquilla de piso o los orificios de accesorios. **NO** la use con un orificio obstruido; mantenga el electrodoméstico libre de polvo, pelusas, pelo y cualquier otra cosa que pueda reducir el flujo de aire.
15. **NO** la use si el flujo de aire de la boquilla de piso o del accesorio está restringido. Si los pasajes de aire o la boquilla de piso motorizada se bloquean, apague la aspiradora y desenchúfela de la toma de corriente eléctrica. Quite todas las obstrucciones antes de volver a enchufar y encender la unidad.
16. Mantenga la boquilla de piso y todos los orificios de la aspiradora alejados del pelo, rostro, dedos, pies descalzos o ropa suelta.

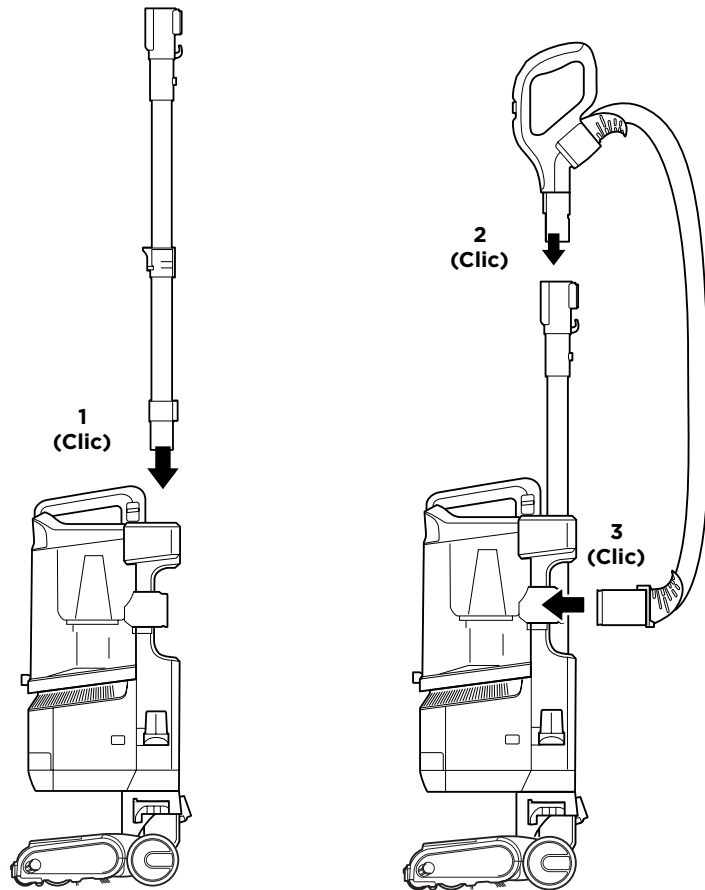
17. **NO** use la aspiradora si no funciona correctamente como debe ser o si se le cayó, dañó, se dejó en los exteriores o se cayó en agua.
18. Tenga mucho cuidado al limpiar escaleras.
19. **NO** deje la aspiradora sin supervisión mientras esté enchufada.
20. Cuando esté encendida, mantenga la aspiradora en movimiento sobre la superficie de la alfombra en todo momento para evitar dañar las fibras de la alfombra.
21. **NO** coloque la aspiradora en superficies poco estables, como sillas o mesas.
22. La aspiradora Shark® no está diseñada para sostenerse por sí sola. Cuando haga una pausa en la limpieza, es posible que deba apoyarla contra un mueble o la pared o acostarla en el piso. El uso de la aspiradora en una aplicación en la que la unidad no tiene estabilidad puede provocar lesiones personales.
23. **NO** la use para recoger lo siguiente:
  - a) Líquidos
  - b) Objetos grandes
  - c) Objetos duros o afilados (vidrio, clavos, tornillos o monedas)
  - d) Grandes cantidades de polvo (polvo de placas de yeso, cenizas de chimenea o brasas). **NO** la use como accesorio para recolección de polvo de herramientas eléctricas.
  - e) Objetos humeantes o incandescentes (carbón caliente, colillas de cigarrillo o fósforos)
  - f) Materiales inflamables o combustibles (líquido de encendedor, gasolina, queroseno)
  - g) Materiales tóxicos (blanqueador con cloro, amoníaco o limpiador alcalino para drenajes)
24. **NO** la use en las siguientes áreas:
  - a) Áreas poco iluminadas
  - b) Superficies húmedas o mojadas
  - c) Áreas exteriores
  - d) Espacios cerrados y que puedan contener gases o vapores explosivos o tóxicos (líquido de encendedor, gasolina, queroseno, pintura, diluyente de pintura, sustancias antipolillas o polvo inflamable)
25. Apague todos los controles antes de enchufar o desenchufar la aspiradora.
26. Desenchúfela de la toma de corriente eléctrica cuando no la use y antes de cualquier mantenimiento o limpieza.
27. Limpie a mano solo con agua. Limpiar la unidad con productos químicos de limpieza podría dañarla.
28. Durante la limpieza o mantenimiento de rutina, **NO** corte nada más que los mechones de pelo, fibras o hilos enredados en el cepillo giratorio.
29. Permita que todos los filtros se sequen al aire libre completamente antes de volver a colocarlos en la aspiradora para impedir que ingrese líquido a las piezas eléctricas.
30. Asegúrese de que el recipiente para el polvo y todos los filtros estén en su lugar después del mantenimiento de rutina.
31. Si se proporcionaron, asegure el cable de alimentación alrededor de los dos ganchos para cable durante el almacenamiento.

Para reducir el riesgo de descarga eléctrica, este electrodoméstico tiene un enchufe polarizado (una patilla es más ancha que la otra). Este enchufe cabe en la toma de corriente polarizada de una sola forma. Si el enchufe no encaja completamente en la toma de corriente, invierta el enchufe. Si todavía no encaja, comuníquese con un electricista certificado para instalar la toma de corriente correcta. No cambie el enchufe en lo absoluto.

## GUARDE ESTAS INSTRUCCIONES



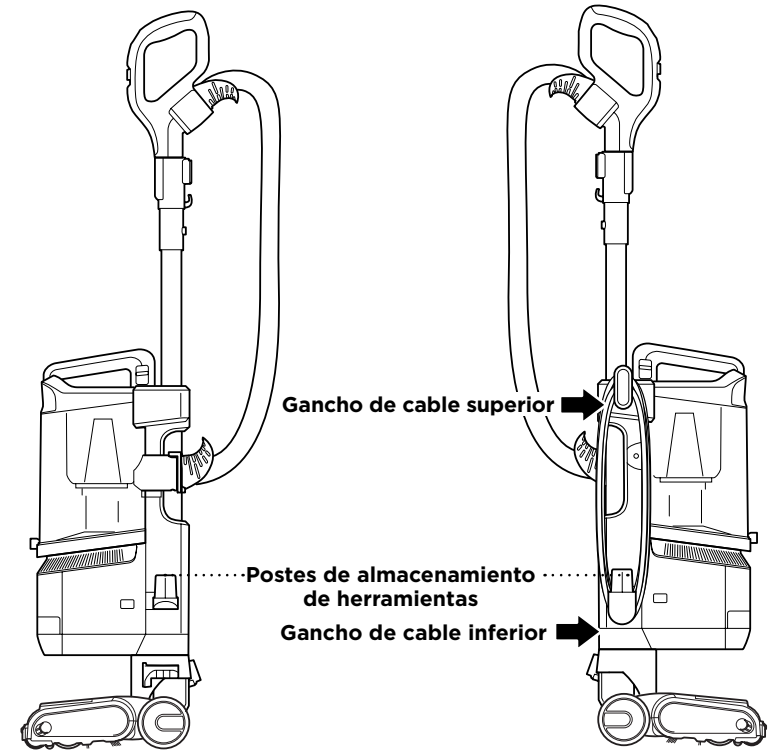
## ENSAMBLADO



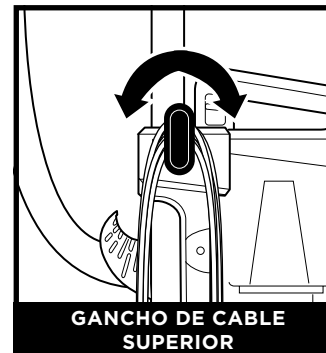
1. Inserte el **vástago** dentro del receptáculo.
2. Inserte el **mango** en el vástago.
3. Conecte la **manguera** en la parte posterior del receptáculo.

Para un funcionamiento correcto, asegúrese de que todas las piezas estén colocadas firmemente en su lugar.

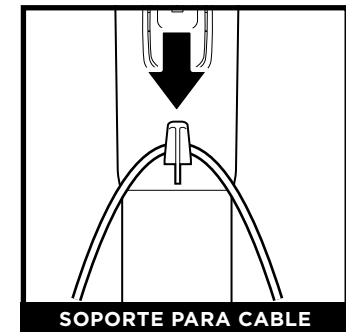
## ENSAMBLADO



## CABLE DE ALIMENTACIÓN

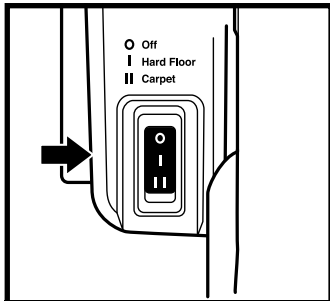


Para acceder al cable, gire el gancho superior hacia abajo y retire el cable.



Use el soporte para cable ubicado en el costado del vástago para sostener el cable en su lugar mientras aspira.

AJUSTES



**INTERRUPTOR (ENCENDIDO/SUPERFICIE)**

Seleccionar configuración de superficie:

**Off (apagado)**

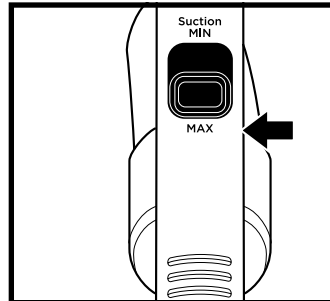
**I Hard Floor (piso duro)**

Para pisos duros y tapetes pequeños.

**II Carpet (alfombra)**

Para alfombras.

**NOTA:** El cepillo giratorio gira en todos los modos.



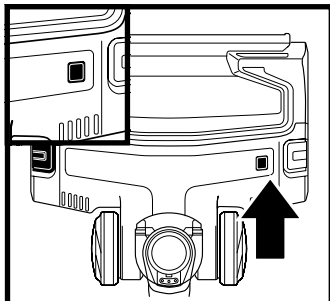
**CONTROL DE SUCCIÓN**

El **control deslizante de succión** ubicado en el mango permite ajustar la succión según el tipo de piso.

**MIN (mínimo):** para reducir la succión y aumentar la maniobrabilidad en alfombras.

**MAX (máximo):** para aumentar la succión en pisos duros.

LUZ INDICADORA DEL CEPILLO GIRATORIO



**LUZ INDICADORA**

**¿QUÉ SIGNIFICA LA LUZ INDICADORA DEL CEPILLO GIRATORIO?**

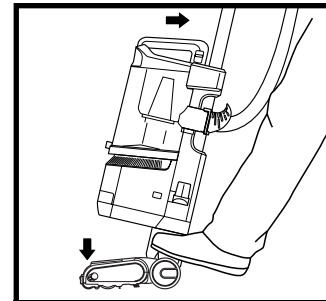
**Verde continuo:** El cepillo giratorio está girando y funcionando correctamente.

**Rojo continuo:** Hay una obstrucción en el área del cepillo giratorio. Apague y desconecte la aspiradora y quite cualquier obstrucción en la boquilla de piso.

**Rojo parpadeante:** La boquilla de piso motorizada se está sobrecalentando. Apague y desconecte la aspiradora y quite cualquier obstrucción. Deje que la aspiradora se enfríe durante al menos 60 minutos antes de volver a encenderla. Consulte la sección Solución de problemas para obtener más información.

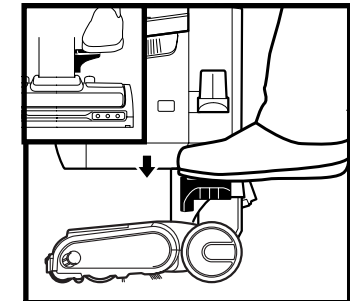
**NOTA:** Para una limpieza profunda de alfombras, utilice la configuración II Carpet (alfombra) con máxima succión, de acuerdo con ASTM F608.

MODOS DE LIMPIEZA



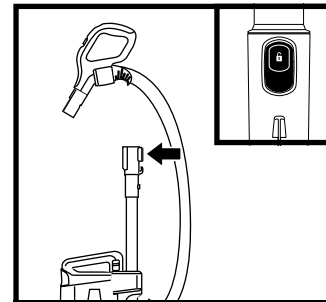
**MODO VERTICAL**

Para enganchar el **cepillo giratorio**, pise en la boquilla de piso e incline hacia atrás el mango.



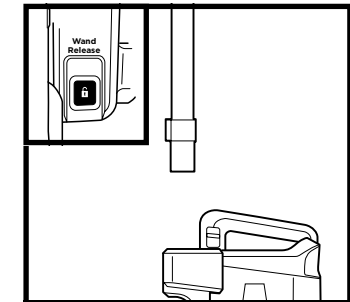
**MODO LIFT AWAY**

Pise el pedal de la boquilla de piso para separarla del receptáculo.



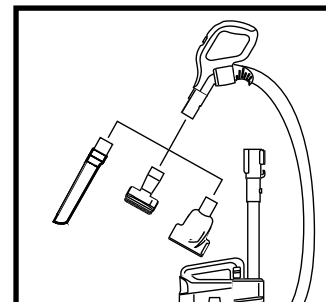
**POR ENCIMA DEL PISO - MANGO**

Presione el botón **Handle Release** (liberar mango) y levante el mango para separarlo del vástago.



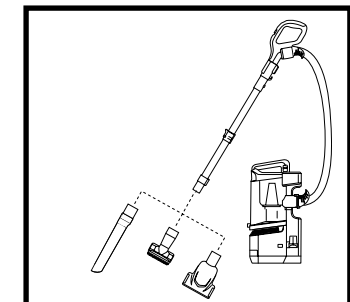
**POR ENCIMA DEL PISO - VÁSTAGO**

Presione el botón **Wand Release** (liberar vástago) y levante el vástago para separarlo del receptáculo.



**ACCESORIOS: MANGO**

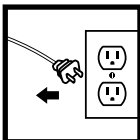
Conecte un accesorio de limpieza opcional al mango o vástago.



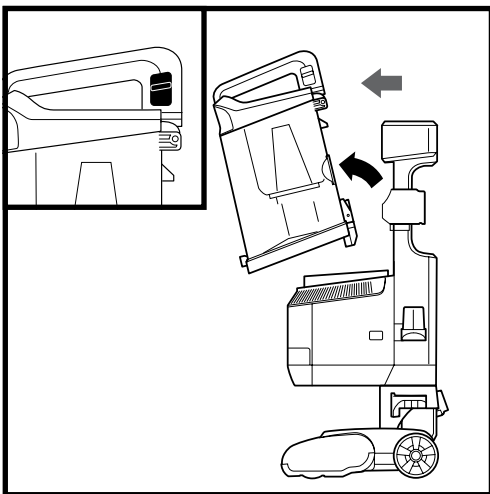
**ACCESORIOS: VÁSTAGO**

**NOTA:** Todos los accesorios son compatibles con el vástago y con el mango. Los accesorios incluidos variarán según el modelo.

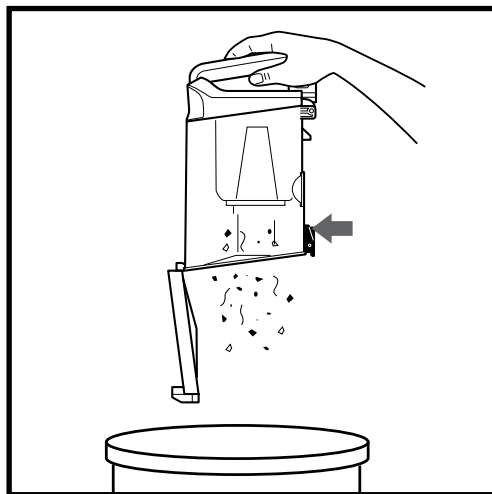
## CÓMO VACIAR EL RECIPIENTE PARA EL POLVO



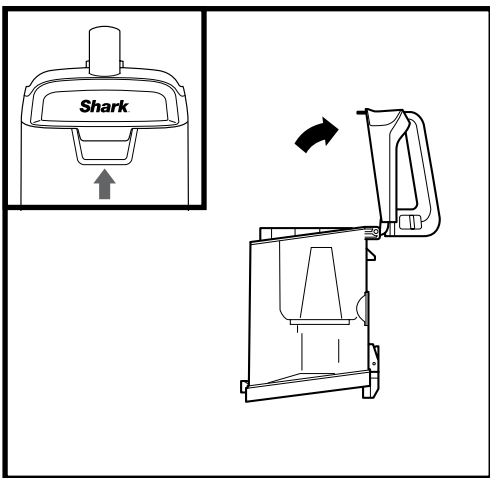
**IMPORTANTE:** Desenchufe el cable de alimentación antes de cualquier tarea de mantenimiento.



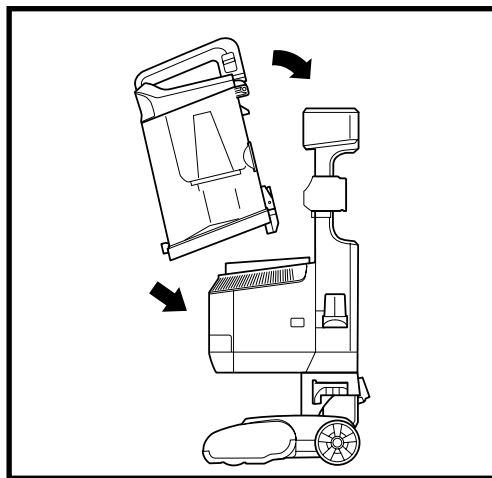
Para retirar el **recipiente para el polvo**, deslice hacia arriba el botón de liberación que se encuentra en el costado del mango del recipiente para el polvo. Incline el recipiente para el polvo hacia adelante, luego levántelo para retirarlo.



Para vaciar los escombros en la basura, presione el botón de liberación inferior y el fondo del recipiente para el polvo se abrirá.



Limpie los residuos de la **rejilla para pelusas** que se encuentra en el recipiente para el polvo. Levante la lengüeta superior de liberación que se encuentra en la parte de arriba del recipiente para el polvo y abra la tapa. Cepille suavemente la rejilla para pelusas y retire la suciedad.



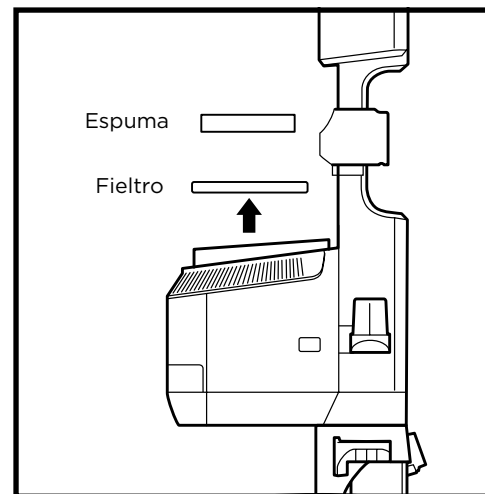
Para reinstalar, coloque la parte inferior del recipiente para el polvo en el receptáculo y luego inclínelo hasta que encaje en su lugar.

## LIMPIEZA DE LOS FILTROS

**Enjuague los filtros con regularidad para mantener el poder de succión de la aspiradora.**

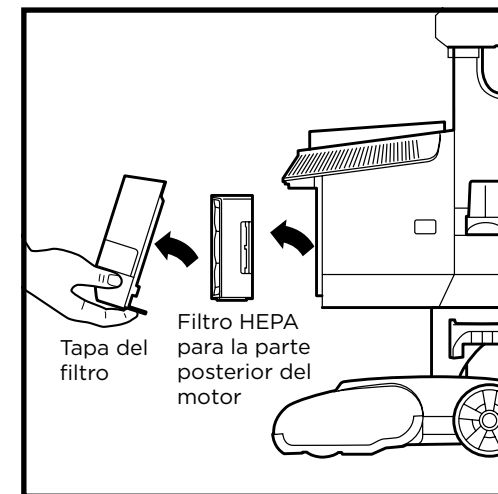
Enjuague los filtros únicamente con agua fría. Permita que los filtros se sequen al aire durante 24 horas por lo menos antes de volver a colocarlos para impedir que ingrese líquido a las piezas eléctricas.

**IMPORTANTE: NO** use jabón cuando limpie los filtros.



**ENJUAGUE LOS FILTROS DELANTEROS DEL MOTOR CADA MES**

Retire el **recipiente para el polvo**, luego saque los **filtros**.



**ENJUAGUE EL FILTRO HEPA CADA AÑO**

Para retirar el **filtro HEPA**, primero tire de la lengüeta en la parte inferior de la tapa del filtro y luego levante y separe la tapa. Presione la lengüeta en el costado del filtro HEPA y extraiga el filtro.

Para volver a instalar la tapa, alinee primero la parte superior y luego presione la parte inferior hasta que enganche en su sitio.

## MANTENIMIENTO

### MANTENIMIENTO DE LA BOQUILLA DE PISO

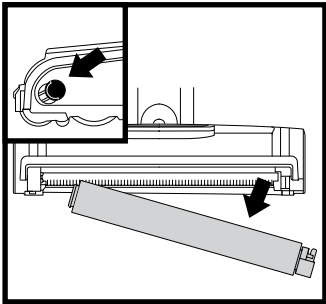
#### AUTOLIMPIEZA DEL CEPILLO GIRATORIO

Si hay cabello enredado en el cepillo giratorio, siga aspirando en el modo de Carpet/Low Pile (alfombra/fibra) corta sobre una superficie de piso descubierta, una alfombra de fibra corta o un tapete pequeño. Esto permitirá que el cepillo giratorio quite el enredo de pelos y lo envíe al recipiente para el polvo.

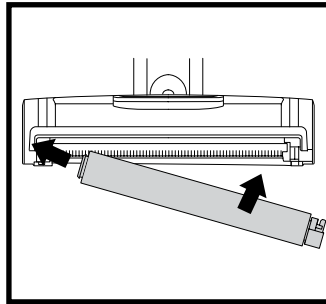
Si aspira un objeto duro o afilado, o se da cuenta de un cambio en el ruido mientras aspira, verifique si hay obstrucciones u objetos atrapados en el cepillo giratorio.

Si aún quedan fibras enredadas en el cepillo giratorio después del uso constante, retírelas con cuidado.

#### LIMPIEZA DEL RODILLO SUAVE

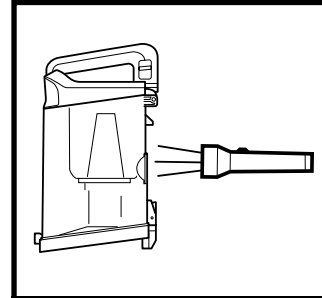


Deslice hacia adelante el botón de acceso del rodillo suave para liberarlo.



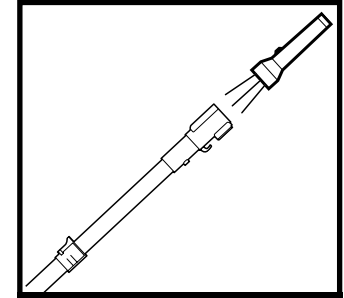
Lave el rodillo suave a mano si es necesario. Use solamente agua y permita que seque por completo al aire por lo menos durante 24 horas. Vuelva a insertar el rodillo suave en el frente de la boquilla de piso hasta que enganche en su sitio.

## CÓMO VERIFICAR SI HAY OBSTRUCCIONES



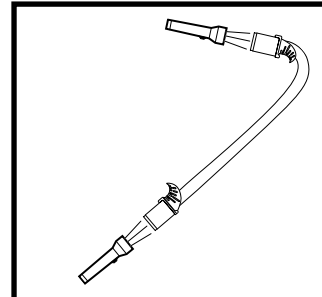
#### OBSTRUCCIONES DEL RECIPIENTE PARA EL POLVO

Desacople el recipiente para el polvo del receptáculo de la aspiradora. Vacíe el recipiente para el polvo y retire los residuos de la rejilla para pelusas en la parte superior del recipiente para el polvo.



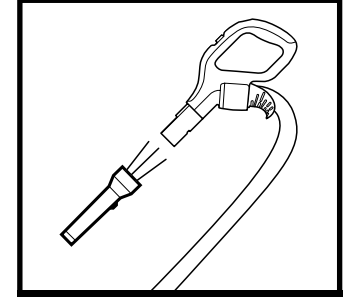
#### OBSTRUCCIONES DEL VÁSTAGO

Desacople el vástago del receptáculo y del mango, y revise los dos extremos para ver si hay obstrucciones.



#### OBSTRUCCIONES DE LA MANGUERA

Desacople la manguera del mango presionando el botón de liberación en la parte superior de la manguera. Desacople la manguera del vástago y revise si hay obstrucciones en los orificios.



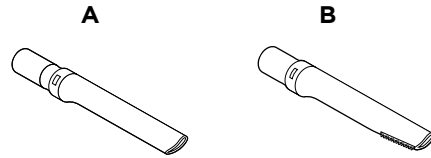
#### OBSTRUCCIONES DEL MANGO

Desacople el mango del vástago y revise si hay obstrucciones en los orificios.

## ACCESORIOS DISPONIBLES

### A Herramienta para grietas

Esta delgada herramienta ofrece mayor alcance para acceder a esquinas, zócalos, espacios estrechos y techo.

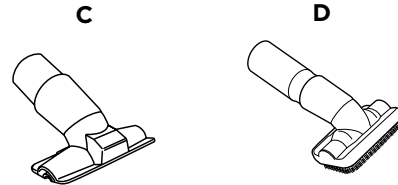


### B Herramienta para grietas especial para pelo de mascotas

Esta delgada y versátil herramienta de 20 cm retira el pelo de las mascotas de espacios de difícil acceso como esquinas, gradas y entre los cojines del sofá.

### C Herramienta para tapicería

Recolecta pelo, polvo y desechos grandes de colchones, sofás, cortinas, pantallas de lámparas y otras superficies delicadas y tapizadas.

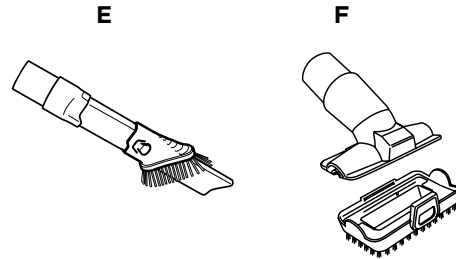


### D Cepillo para desempolvar

Este cepillo retira el polvo y limpia superficies delicadas. Excelente para usar en ventiladores, cortinas, pantallas de lámparas y teclados.

### E Herramienta para grietas quitapolvo

Dos herramientas de limpieza en una. La herramienta para grietas ofrece alcance extendido para limpiar espacios reducidos, mientras que el cepillo suave es ideal para eliminar polvo de superficies delicadas.

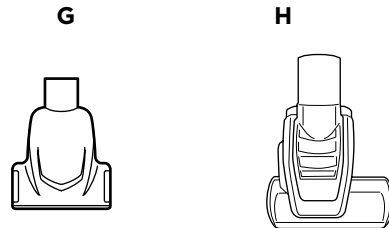


### F Herramienta múltiple para mascotas

Una sola herramienta convertible para limpiar la suciedad difícil de mascotas de dos maneras: use el cepillo de cerda dura para limpiar suciedad pegada o retire las cerdas para revelar una herramienta perfecta para tapicería que elimina el pelo adherido de mascotas y grandes cantidades de desechos.

### G Cepillo para mascotas

El cepillo de turbina afloja y elimina de las alfombras los pelos y suciedad de las mascotas, y limpia poderosa y profundamente la caspa de origen animal de muebles tapizados y otras superficies.



### H Cepillo motorizado de autolimpieza para mascotas

Recoge pelo de mascotas y suciedad de áreas por encima del piso, como escaleras alfombradas y tapicería, a la vez que elimina el pelo enredado en forma activa mientras limpia.

**NOTA:** No se incluyen todos los accesorios en todas las unidades. Para ver la lista de accesorios incluidos con este modelo, consulte la solapa interior superior de la caja. Para solicitar accesorios adicionales, visite [sharkaccessories.com](http://sharkaccessories.com).

## SOLUCIÓN DE PROBLEMAS

### La aspiradora no recolecta escombros. No hay succión o hay poca succión.

- Revise los filtros para determinar si necesitan limpieza. Siga las instrucciones para enjuagar y secar al aire los filtros antes de volver a instalarlos en la aspiradora.
- El recipiente para el polvo puede estar lleno; vacíe el recipiente para el polvo.
- Revise el mango, la manguera, las conexiones de la manguera, la boquilla de piso, el vástago y receptáculo y los accesorios para ver si hay obstrucciones. Limpie cualquier obstrucción que encuentre.
- Si hay hilos, pelo o fibras de alfombra enredados en el cepillo giratorio, corte los escombros con tijeras y retírelos del cepillo giratorio. Consulte la sección sobre mantenimiento de la boquilla de piso para obtener más información.

### La aspiradora levanta los tapetes.

- Asegúrese de que el interruptor Power/Surface (encendido/superficie) esté configurado para piso duro (posición I).
- Compruebe que el control deslizante de succión en el mango esté en la posición MIN (mínimo).
- La succión es potente. Tenga cuidado cuando aspire tapetes con delicados bordes cosidos.

### El cepillo giratorio no gira en el modo de limpieza de alfombras.

- Si la luz indicadora del cepillo giratorio se enciende en rojo, apague la aspiradora de inmediato y desenchúfela. Retire el receptáculo de la boquilla del piso y elimine cualquier obstrucción. Vuelva a conectar la boquilla, conecte la aspiradora y encienda la alimentación.
- Con la aspiradora encendida, recline el mango y se encenderá automáticamente el cepillo giratorio.
- Si este problema persiste en alfombras gruesas, mueva el control deslizante de succión a la posición MIN (mínimo).

### La aspiradora se apaga por sí sola o la luz indicadora parpadea en rojo.

Si la aspiradora se sobrecalienta, el termostato apagará el motor de succión automáticamente. Siga estos pasos para reiniciar el termostato:

1. Apague y desenchufe la aspiradora.
2. Vacíe el recipiente para el polvo y limpie los filtros (consulte Cómo vaciar el recipiente para el polvo y Limpieza de los filtros).
3. Verifique si hay obstrucciones en la manguera, el vástago, la boquilla de piso, los accesorios o los orificios de entrada.
4. Permita que la unidad se enfríe durante un mínimo de 60 minutos.
5. Conecte la aspiradora y vuelva a encenderla con el interruptor Power/Surface (encendido/superficie).

Para cualquier otro problema, visite [sharkclean.com/support](http://sharkclean.com/support).

## GARANTÍA LIMITADA DE CINCO (5) AÑOS

La garantía limitada de cinco (5) años se aplica a las compras realizadas en tiendas autorizadas de **SharkNinja Operating LLC**. La cobertura de la garantía se aplica solo al propietario original y al producto original y no es transferible.

SharkNinja garantiza que la unidad estará libre de defectos en materiales y mano de obra por un período de cinco (5) años a partir de la fecha de compra, cuando se usa bajo las condiciones normales del hogar y se mantiene de acuerdo con los requisitos descritos en la guía del usuario, sujeto a las siguientes condiciones y exclusiones:

### ¿Qué cubre esta garantía?

1. La unidad original o las piezas que no sean de desgaste que se consideren defectuosas, a discreción exclusiva de SharkNinja, serán reparadas o reemplazadas hasta cinco (5) años a partir de la fecha de compra original.
2. En el caso de que se emita una unidad de reemplazo, la cobertura de la garantía finaliza seis (6) meses después de la fecha de recepción de la unidad de reemplazo o el resto de la garantía existente, la que sea más tardía. SharkNinja se reserva el derecho de reemplazar la unidad con una de igual o mayor valor.

### ¿Qué es lo que no cubre la garantía?

1. El desgaste normal de las piezas consumibles (como filtros de espuma, filtros HEPA, almohadillas, etc.), que requieren un mantenimiento regular o un reemplazo para garantizar el correcto funcionamiento de su unidad, no está cubierto por esta garantía. Las piezas de repuesto están disponibles para su compra en [sharkaccessories.com](http://sharkaccessories.com).
2. Cualquier unidad que haya sido manipulada o utilizada con fines comerciales.
3. Daños causados por el mal uso (p. ej., aspirar agua u otros líquidos), abuso, manejo negligente, no realizar el mantenimiento requerido (p. ej., no limpiar los filtros) o daños debido a un mal manejo en tránsito.
4. Daños consecuenciales e incidentales.
5. Defectos causados por personas que hacen reparaciones que no están autorizadas por SharkNinja. Estos defectos incluyen los daños causados en el proceso de envío, modificación o reparación del producto SharkNinja (o cualquiera de sus partes) cuando la reparación es realizada por una persona que hace reparaciones y que no está autorizada por SharkNinja.
6. Productos comprados, usados u operados fuera de América del Norte.

### Cómo obtener servicio

Si su electrodoméstico no funciona correctamente mientras está en uso bajo las condiciones normales del hogar dentro del período de garantía, visite [sharkclean.com/support](http://sharkclean.com/support) para obtener autoayuda de mantenimiento y cuidado del producto. Nuestros especialistas en servicio al cliente también están disponibles en el **1-800-798-7398** para ayudarlo con el soporte de productos y las opciones de servicio de garantía, incluyendo la posibilidad de actualizar nuestras opciones de servicio de garantía VIP para categorías de productos selectas. Para que podamos asistirlo de una manera más eficiente, registre su producto en línea en [registeryourshark.com](http://registeryourshark.com) y tenga el producto a la mano cuando llame.

SharkNinja cubrirá el costo para que el cliente nos envíe la unidad para su reparación o reemplazo. Se cobrará una tarifa de \$24.95 (sujeta a cambio) cuando SharkNinja envíe la unidad reparada o de reemplazo.

### Cómo iniciar un reclamo de garantía

Debe llamar al **1-800-798-7398** para iniciar un reclamo de garantía. Necesitará el recibo como comprobante de compra. También le pedimos que registre su producto en línea en [registeryourshark.com](http://registeryourshark.com) y que tenga el producto a mano cuando llame, para que podamos asistirlo mejor. Un especialista en servicio al cliente le proporcionará información sobre instrucciones de devolución y embalaje.

### Cómo se aplica la ley estatal

Esta garantía le proporciona derechos legales específicos, y usted podría tener otros derechos que varían según el estado. Algunos estados no permiten la exclusión o limitación de daños incidentales o consecuentes, por lo que es posible que lo anterior no aplique a usted.

### REGISTRE SU COMPRA



[registeryourshark.com](http://registeryourshark.com)



Escanee el código QR con un dispositivo móvil.



Beneficios de registrar su producto y crear una cuenta:

- Obtenga asistencia con el producto con más facilidad y rapidez y acceda a información de la garantía.
- Acceda a solución de problemas e instrucciones de cuidado del producto.
- Sea uno de los primeros en recibir promociones exclusivas de productos.

**SUGERENCIA:** Puede encontrar los números de modelo y de serie en la etiqueta del código QR en la base de la parte posterior del receptáculo de la aspiradora.

### REGISTRE ESTA INFORMACIÓN

Número de modelo: \_\_\_\_\_

Número de serie: \_\_\_\_\_

Fecha de compra: \_\_\_\_\_  
(Conserve el recibo)

Tienda donde la adquirió: \_\_\_\_\_

### ESPECIFICACIONES TÉCNICAS

Voltaje: 120 V~, 60 Hz

Vatios: 960W







**PLEASE READ CAREFULLY AND KEEP FOR FUTURE REFERENCE.**

Shark® Rotator® Lift-Away® ADV Upright Vacuum.

SharkNinja Operating LLC  
US: Needham, MA 02494  
CAN: Ville St-Laurent, QC H4S 1A7  
1-800-798-7398  
sharkclean.com

Illustrations may differ from actual product. We are constantly striving to improve our products; therefore the specifications contained herein are subject to change without notice.

For SharkNinja U.S. Patent information, visit [sharkninja.com/uspatents](http://sharkninja.com/uspatents)

**VEUILLEZ LIRE ATTENTIVEMENT LE PRÉSENT MODE D'EMPLOI ET LE CONSERVER À TITRE INFORMATIF.**

Aspirateur vertical ADV Rotator® Lift-Away® de Shark®.

SharkNinja Operating LLC  
États-Unis : Needham, MA 02494  
Canada : Saint-Laurent (Québec) H4S 1A7  
1 800 798-7398  
sharkclean.com

Les illustrations peuvent différer du produit réel. Nous tentons constamment d'améliorer nos produits; par conséquent, les caractéristiques indiquées dans le présent guide peuvent être modifiées sans préavis.

Pour obtenir de l'information au sujet des brevets de SharkNinja aux États-Unis, consultez le site suivant : [www.sharkninja.com/uspatents](http://www.sharkninja.com/uspatents)

**LEA ATENTAMENTE Y GUARDE COMO REFERENCIA PARA EL FUTURO.**

Aspiradora vertical Shark® Rotator® Lift-Away® ADV.

SharkNinja Operating LLC  
EE. UU.: Needham, MA 02494  
CAN: Ville St-Laurent, QC H4S 1A7  
1-800-798-7398  
sharkclean.com

Las ilustraciones pueden diferir del producto real. Nos esforzamos constantemente para mejorar nuestros productos, por lo tanto, las especificaciones contenidas en este documento están sujetas a cambios sin previo aviso.

Para obtener información sobre la patente de SharkNinja en EE. UU., visite [sharkninja.com/uspatents](http://sharkninja.com/uspatents)

---

© 2020 SharkNinja Operating LLC. LIFT-AWAY, SHARK and SHARK ROTATOR are registered trademarks of SharkNinja Operating LLC.

LA500Series\_IB\_E\_F\_S\_MP\_Mv1  
PRINTED IN CHINA

© SharkNinja Operating LLC, 2020. LIFT-AWAY, SHARK et SHARK ROTATOR sont des marques de commerce déposées de SharkNinja Operating LLC.

LA500Series\_IB\_E\_F\_S\_MP\_Mv1  
IMPRIMÉ EN CHINE

© 2020 SharkNinja Operating LLC. LIFT-AWAY, SHARK y SHARK ROTATOR son marcas comerciales registradas de SharkNinja Operating LLC.

LA500Series\_IB\_E\_F\_S\_MP\_Mv1  
IMPRESO EN CHINA



@sharkcleaning