

OWNER'S MANUAL

2024
CRF300L / CRF300 RALLY

This manual should be considered a permanent part of the vehicle and should remain with the vehicle when it is resold.

This publication includes the latest production information available before printing. Honda Motor Co., Ltd. reserves the right to make changes at any time without notice and without incurring any obligation.

No part of this publication may be reproduced without written permission.

The vehicle pictured in this owner's manual may not match your actual vehicle.

CRF300L/LA/LDA/LR/LRA are USA models.

CRF300L/LA/LR/LRA are Canada models.

Welcome

Congratulations on your purchase of a new Honda vehicle. Your selection of a Honda makes you part of a worldwide family of satisfied customers who appreciate Honda's reputation for building quality into every product.

To ensure your safety and riding pleasure:

- Read this owner's manual carefully.
- Follow all recommendations and procedures contained in this manual.
- Pay close attention to safety messages contained in this manual and on the vehicle.

To protect your investment, we urge you to take responsibility for keeping your vehicle well-serviced and maintained. Also, observe the break-in guidelines and always perform the pre-ride inspection and other periodic checks in this manual.

When service is required, remember that your Honda dealer knows your vehicle best. If you have the required mechanical "know-how" and tools, you can purchase an official Honda Service Manual to help you perform many maintenance and repair tasks. ➔ P. 134

Read the warranty information thoroughly so that you understand the warranty coverage and are aware of your rights and responsibilities. ➔ P. 135

You may also want to visit our website at www.powersports.honda.com.

Canada www.honda.ca.

Happy riding!


A Few Words About Safety

Your safety, and the safety of others, is very important. Operating this vehicle safely is an important responsibility.

To help you make informed decisions about safety, we have provided operating procedures and other information on safety labels and in this manual. This information alerts you to potential hazards that could hurt you or others.

Of course, it is not practical or possible to warn you about all hazards associated with operating or maintaining a vehicle. You must use your own good judgment.

You will find important safety information in a variety of forms, including:

- Safety labels on the vehicle
- Safety Messages preceded by a safety alert symbol  and one of three signal words: DANGER, WARNING, or CAUTION.

These signal words mean:

DANGER

You **WILL** be **KILLED** or **SERIOUSLY HURT** if you don't follow instructions.

WARNING

You **CAN** be **KILLED** or **SERIOUSLY HURT** if you don't follow instructions.

CAUTION

You **CAN** be **HURT** if you don't follow instructions.

Other important information is provided under the following titles:

NOTICE Information to help you avoid damage to your vehicle, other property, or the environment.

Contents

Vehicle Safety P. 2

Operation Guide P. 20

Maintenance P. 57

Troubleshooting P. 102

Information P. 117

Specifications P. 142

Vehicle Safety

This section contains important information for safe riding of your vehicle.
Please read this section carefully.

Safety Guidelines	P. 3
Safety Labels	P. 7
Safety Precautions	P. 11
Riding Precautions	P. 13
Accessories & Modifications	P. 17
Off-Road Safety	P. 18
Loading	P. 19

Safety Guidelines

Follow these guidelines to enhance your safety:

- Perform all routine and regular inspections specified in this manual.
- Stop the engine and keep sparks and flames away before filling the fuel tank.
- Do not run the engine in enclosed or partly enclosed areas. Carbon monoxide in exhaust gases is toxic and can kill you.

Always Wear a Helmet

It's a proven fact: helmets and protective apparel significantly reduce the number and severity of head and other injuries. So always wear an approved helmet and protective apparel. 📖 P. 11

Before Riding

Make sure that you are physically fit, mentally focused, and free of alcohol and drugs. Check that you and your passenger are both wearing an approved helmet and protective apparel. Instruct your passenger on holding onto the seat strap or your waist, leaning with you in turns, and keeping their feet on the footpegs, even when the vehicle is stopped.

Take Time to Learn & Practice

Even if you have ridden other vehicles, practice riding in a safe area to become familiar with how this vehicle works and handles, and to become accustomed to the vehicle's size and weight.

We recommend that all riders take a certified course approved by the Motorcycle Safety Foundation (MSF) or a state approved training course. New riders should start with the basic course, and even experienced riders will find the advanced course beneficial.

Safety Guidelines

For information about the MSF training course nearest you, call the national toll-free number: (800) 446-9227.

USA Other riding tips can be found in the You and Your Motorcycle Riding Tips booklet that came with your vehicle.

Developing off-road riding skill is a gradual step-by-step process. Start by practicing at low speeds in a safe area and slowly build your skills.

Ask your dealer if there are off-road riding groups in your area where you can learn from experienced riders. Also be sure to read the Tips & Practice Guide for the Off-Highway Motorcyclist that came with your new vehicle.

Ride Defensively

Always pay attention to other vehicles around you, and do not assume that other drivers see you. Be prepared to stop quickly or perform an evasive maneuver.

Make Yourself Easy to See

Make yourself more visible, especially at night, by wearing bright reflective clothing, positioning yourself so other drivers can see you, signaling before turning or changing lanes, and using your horn when necessary.

Be Alert for Off-road Hazards

The terrain can present a variety of challenges when you ride off-road. Continually “read” the terrain for unexpected turns, drop-offs, rocks, ruts and other hazards. Always keep your speed low enough to allow time to see and react to hazards.

Ride within Your Limits

Never ride beyond your personal abilities or faster than conditions warrant. Fatigue and inattention can impair your ability to use good judgment and ride safely.

Don't Drink or Use Drugs and Ride

Alcohol or drugs and riding don't mix. Even one alcoholic drink can reduce your ability to respond to changing conditions, and your reaction time gets worse with every additional drink. The same is true for drug use. Don't drink or use and ride, and don't let your friends do it either.

Keep Your Honda in Safe Condition

It's important to keep your vehicle properly maintained and in safe riding condition. Having a breakdown can be difficult, especially if you are stranded off-road far from your base. Inspect your vehicle before every ride and perform all recommended maintenance. Never exceed load limits (➤ P. 19), and do not modify your vehicle or install accessories that would make your vehicle unsafe (➤ P. 17).

If You are Involved in a Crash

Personal safety is your first priority. If you or anyone else has been injured, take time to assess the severity of the injuries and whether it is safe to continue riding. Call for emergency assistance if needed. Also follow applicable laws and regulations if another person or vehicle is involved in the crash.

If you decide to continue riding, first turn the ignition switch to the OFF position, and evaluate the condition of your vehicle. Inspect for fluid leaks, check the tightness of critical nuts and bolts, and check the handlebar, control levers, brakes, and wheels. Ride slowly and cautiously.

Your vehicle may have suffered damage that is not immediately apparent. Have your vehicle thoroughly checked at a qualified service facility as soon as possible.

Carbon Monoxide Hazard

Exhaust contains poisonous carbon monoxide, a colorless, odorless gas. Breathing carbon monoxide can cause loss of consciousness and may lead to death.

If you run the engine in a confined or even partly enclosed area, the air you breathe could contain a dangerous amount of carbon monoxide.

Never run your vehicle inside a garage or other enclosure.

WARNING

Running the engine of your vehicle while in an enclosed or even partially enclosed area can cause a rapid build-up of toxic carbon monoxide gas.

Breathing this colorless, odorless gas can quickly cause unconsciousness and lead to death.

Only run your vehicle's engine when it is located in a well ventilated area outdoors.

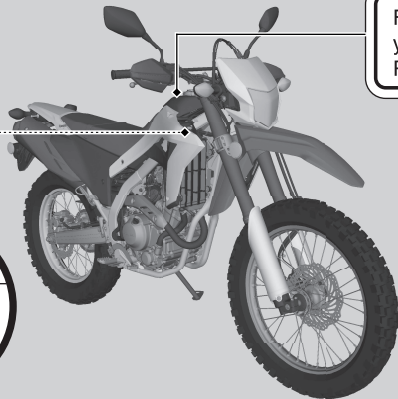
Safety Labels

Safety and information labels on your vehicle provide important safety information and may warn you of potential hazards that could cause

serious injury. Read these labels carefully and don't remove them.

If a label comes off or becomes hard to read, contact your dealer for a replacement.

CRF300L/LA/LDA



For your protection, always wear your helmet while riding.
Read the owner's manual carefully.

DANGER
 WARNUNG
 危険

- ▶ NEVER OPEN WHEN HOT.
Hot coolant will scald you.
- ▶ N' OUVREZ PAS QUAND CHAUD.
- ▶ NICHT BEI HEISSEM MOTOR OFFNEN.
- ▶ 熱い時あけないで下さい。
- ▶ 高温時、請勿打开

1.1

CRF300L/LA/LDA



50 STATE (meets California) CRF300L/LA

TIRE INFORMATION			
Cold tire pressures		kPa	kgf/cm ² psi
Up to maximum weight capacity	Front	150	1.50 22
	Rear	175	1.75 25
Up to 90kg(200lb) load	Front	150	1.50 22
	Rear	150	1.50 22
Tire size	Front	80/100-21M/C (51P)	
	Rear	120/80-18M/C (62P)	
Min. recommend tire center tread depth.	Front	3.0mm (0.12in.)	
	Rear	3.0mm (0.12in.)	
Maximum weight capacity		148kg(326lb)	

DRIVE CHAIN

Keep chain adjusted and lubricated.
50 - 55mm
(2 - 2 1/4 in.)

Read owner's manual.

50 STATE (meets California) CRF300LDA

TIRE INFORMATION			
Cold tire pressures		kPa	kgf/cm ² psi
Up to maximum weight capacity	Front	150	1.50 22
	Rear	175	1.75 25
Up to 90kg(200lb) load	Front	150	1.50 22
	Rear	150	1.50 22
Tire size	Front	80/100-21M/C 51P	
	Rear	120/80-18M/C 62P	
Min. recommend tire center tread depth.	Front	3.0mm (0.12in.)	
	Rear	3.0mm (0.12in.)	
Maximum weight capacity		148kg(326lb)	

DRIVE CHAIN

Keep chain adjusted and lubricated.
45 - 50mm
(1 7/8 - 2 in.)

Read owner's manual.

Canada

TIRE INFORMATION			
Cold tire pressures		kPa	kgf/cm ² psi
Up to maximum weight capacity	Front	150	1.50 22
	Rear	175	1.75 25
Up to 90kg(200lb) load	Front	150	1.50 22
	Rear	150	1.50 22
Tire size	Front	80/100-21M/C (51P)	
	Rear	120/80-18M/C (62P)	
Min. recommend tire center tread depth.	Front	3.0mm (0.12in.)	
	Rear	3.0mm (0.12in.)	
Maximum weight capacity		145kg(320lb)	

DRIVE CHAIN

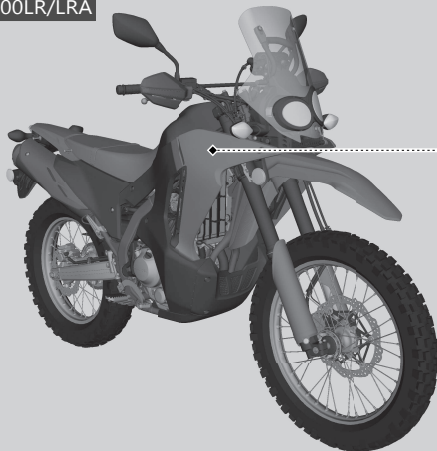
Keep chain adjusted and lubricated.
50 - 55mm
(2 - 2 1/4 in.)

Read owner's manual.

⚠ WARNING

Improper loading can cause a crash and you may be seriously hurt or killed.
See "Load Limits and Guidelines" in your Owner's Manual for complete instructions.

CRF300LR/LRA



CRF300LR/LRA

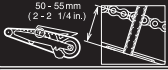
50 STATE (meets California)

TIRE INFORMATION			
Cold tire pressures		kPa	kgf/cm ²
	psi		
Up to maximum weight capacity	Front	150	1.50
	Rear	175	1.75
Up to 90kg(200lbs) load	Front	150	1.50
	Rear	150	1.50
Tire size	Front	80/100-21MC (51P)	
	Rear	120/80-18MC (52P)	
Min. recommend tire center tread depth.	Front	3.0mm (0.12in.)	
	Rear	3.0mm (0.12in.)	
Maximum weight capacity	148kg(326lbs)		

DRIVE CHAIN

Keep chain adjusted and lubricated.

50 - 55mm
(2 - 2 1/4 in.)



Read owner's manual.

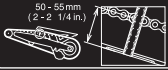
Canada

TIRE INFORMATION			
Cold tire pressures		kPa	kgf/cm ²
	psi		
Up to maximum weight capacity	Front	150	1.50
	Rear	175	1.75
Up to 90kg(200lbs) load	Front	150	1.50
	Rear	150	1.50
Tire size	Front	80/100-21MC (51P)	
	Rear	120/80-18MC (52P)	
Min. recommend tire center tread depth.	Front	3.0mm (0.12in.)	
	Rear	3.0mm (0.12in.)	
Maximum weight capacity	145kg(320lbs)		

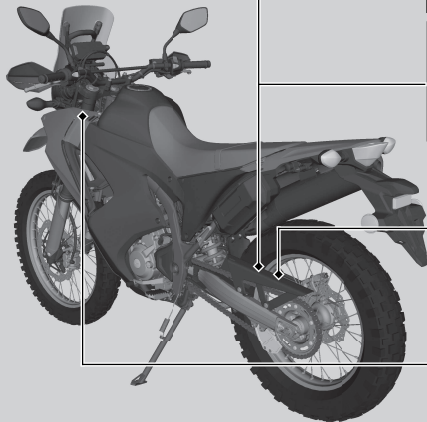
DRIVE CHAIN

Keep chain adjusted and lubricated.

50 - 55mm
(2 - 2 1/4 in.)



Read owner's manual.



⚠ WARNING

Improper loading can cause a crash and you may be seriously hurt or killed. See "Load Limits and Guidelines" in your Owner's Manual for complete instructions.

For your protection, always wear your helmet while riding.
Read the owner's manual carefully.

Safety Precautions

- Ride cautiously and keep your hands on the handlebar and feet on the footpegs.
- Instruct your passenger to keep their hands on the seat strap or your waist and their feet on the footpegs while riding.
- Always consider the safety of your passenger, as well as other drivers and riders.

Protective Apparel

Make sure that you and any passenger are wearing an approved helmet, eye protection, and high-visibility protective clothing. Avoid wearing loose clothes that could get caught on any part of the vehicle. Ride defensively in response to weather and road conditions.

Helmet

Should be safety-standard certified, high-visibility, and the correct size for your head.

- Must fit comfortably but securely, with the chin strap fastened
- Face shield with unobstructed field of vision or other approved eye protection

USA Look for a DOT (Department of Transportation) certification label on any helmet you buy.

WARNING

Not wearing a helmet increases the chance of serious injury or death in a crash.

Make sure that you and any passenger always wear an approved helmet and protective apparel.

Safety Precautions

■ **Gloves**

Full-finger leather gloves with high abrasion resistance

■ **Boots or Riding Shoes**

Sturdy boots with non-slip soles and ankle protection

■ **Jacket and Pants**

Protective, highly visible, long-sleeved jacket and durable long pants for riding (or a protective suit)

■ **Additional Off-road Gear**

On-road apparel may also be suitable for casual off-road riding. But if you plan on any serious off-road riding you will need more serious off-road gear. In addition to your helmet and eye protection, we recommend off-road motorcycle boots and gloves, riding pants with knee and hip pads, a jersey with elbow pads, and a chest/shoulder protector.

Riding Precautions

Break-in Period

During the first 300 miles (500 km) of running, follow these guidelines to ensure your vehicle's future reliability and performance.

- Avoid full-throttle starts and rapid acceleration.
- Avoid hard braking and rapid down-shifts.
- Ride conservatively.

Brakes

Observe the following guidelines:

- Avoid excessively hard braking and downshifting.
 - ▶ Sudden braking can reduce the vehicle's stability.
 - ▶ Where possible, reduce speed before turning; otherwise you risk sliding out.

- Exercise caution on low traction surfaces.
 - ▶ The tires slip more easily on such surfaces and braking distances are longer.
- Avoid continuous braking.
 - ▶ Repeated braking, such as when descending long, steep slopes can seriously overheat the brakes, reducing their effectiveness. Use engine braking with intermittent use of the brakes to reduce speed.
- For full braking effectiveness, operate both the front and rear brakes together.

■ Anti-lock Brake System (ABS)

CRF300LA/LDA/LRA

This model is equipped with an Anti-lock Brake System (ABS) designed to help prevent the brakes from locking up during hard braking.

- ABS does not reduce braking distance. In certain circumstances, ABS may result in a longer stopping distance.
- ABS does not function at speeds below 6 mph (10 km/h).
- The brake lever and pedal may recoil slightly when applying the brakes. This is normal.
- Always use the recommended front/rear tires and sprockets to ensure correct ABS operation.

■ Engine Braking

Engine braking helps slow your vehicle down when you release the throttle. For further slowing action, downshift to a lower gear. Use engine braking with intermittent use of the brakes to reduce speed when descending long, steep slopes.

■ Wet or Rainy Conditions

Road surfaces are slippery when wet, and wet brakes further reduce braking efficiency. Exercise extra caution when braking in wet conditions.

If the brakes get wet, apply the brakes while riding at low speed to help them dry.

Parking

- Park on a firm, level surface.
- If you must park on a slight incline or loose surface, park so that the vehicle cannot move or fall over.
- Make sure that high-temperature parts cannot come into contact with flammable materials.
- Do not touch the engine, muffler, brakes and other high-temperature parts until they cool down.
- To reduce the likelihood of theft, always lock the handlebar and remove the key when leaving the vehicle unattended. Use of an anti-theft device is also recommended.

Parking with the Side Stand

1. Stop the engine.
2. Push the side stand down.
3. Slowly lean the vehicle to the left until its weight rests on the side stand.
4. Turn the handlebar fully to the left.
 - ▶ Turning the handlebar to the right reduces stability and may cause the vehicle to fall.
5. Turn the ignition switch to the LOCK position and remove the key. ➤ P. 48

Refueling and Fuel Guidelines

Follow these guidelines to protect the engine, fuel system and catalytic converter:

- Use only unleaded gasoline.
- Use the recommended octane number.
Using lower octane gasoline will result in decreased engine performance.
- Do not use fuels containing a high concentration of alcohol. ➤ P. 133
- Do not use stale or contaminated gasoline or an oil/gasoline mixture.
- Avoid getting dirt or water in the fuel tank.

Accessories & Modifications

We strongly advise that you do not add any accessories that were not specifically designed or approved for your vehicle by Honda or make modifications to your vehicle from its original design. Doing so can make it unsafe. Modifying your vehicle may also void your warranty and make your vehicle illegal to operate on public roads. Before deciding to install accessories on your vehicle, be certain the modification is safe and legal.

⚠️ WARNING

Improper accessories or modifications can cause a crash in which you can be seriously hurt or killed.

Follow all instructions in this owner's manual regarding accessories and modifications.

Do not pull a trailer with, or attach a sidecar to, your vehicle. Your vehicle was not designed for these attachments, and their use can seriously impair your vehicle's handling.

Off-Road Safety

Learn to ride in an uncongested off-road area free of obstacles before venturing onto unfamiliar terrain.

- Always obey local off-road riding laws and regulations.
- Obtain permission to ride on private property. Avoid posted areas and obey "NO Trespassing" signs.
- Ride with a friend on another vehicle so that you can assist each other in case of trouble.
- Familiarity with your vehicle is critically important should a problem occur far from help.
- Never ride beyond your ability and experience or faster than conditions warrant.
- If you are not familiar with the terrain, ride cautiously. Hidden rocks, holes, or ravines could spell disaster.

- A muffler is required in most off-road areas. Don't modify your exhaust system. Remember that excessive noise bothers everyone and creates a bad image for motorcycling.

Loading

- Carrying extra weight affects your vehicle's handling, braking and stability.
Always ride at a safe speed for the load you are carrying.
- Avoid carrying an excessive load and keep within specified load limits.
Maximum weight capacity ➤ P. 142
- Tie all luggage securely, evenly balanced, and close to the center of the vehicle.
- Do not place objects near the lights or the muffler.

Also follow these guidelines when you ride off-road on rough terrain:

- Do not carry a passenger.
- Keep cargo small and light weight.
Make sure it cannot easily be caught on brush or other objects, and that it does not interfere with your ability to shift position to maintain balance and stability.

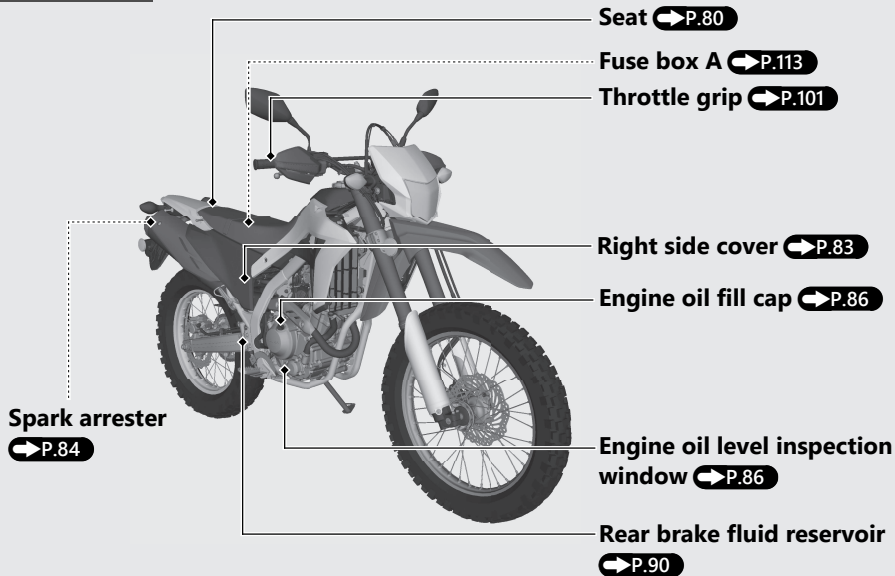
WARNING

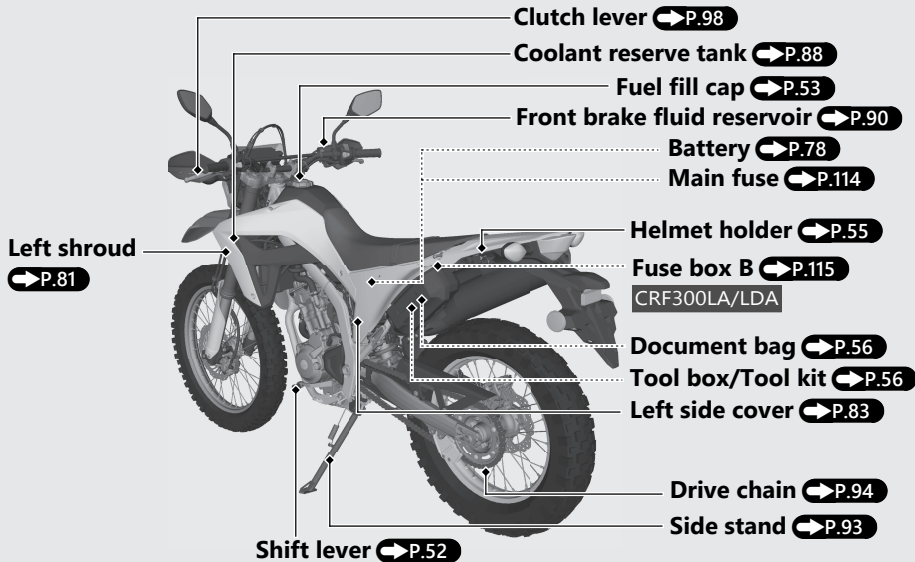
Overloading or improper loading can cause a crash and you can be seriously hurt or killed.

Follow all load limits and other loading guidelines in this manual.

Parts Location

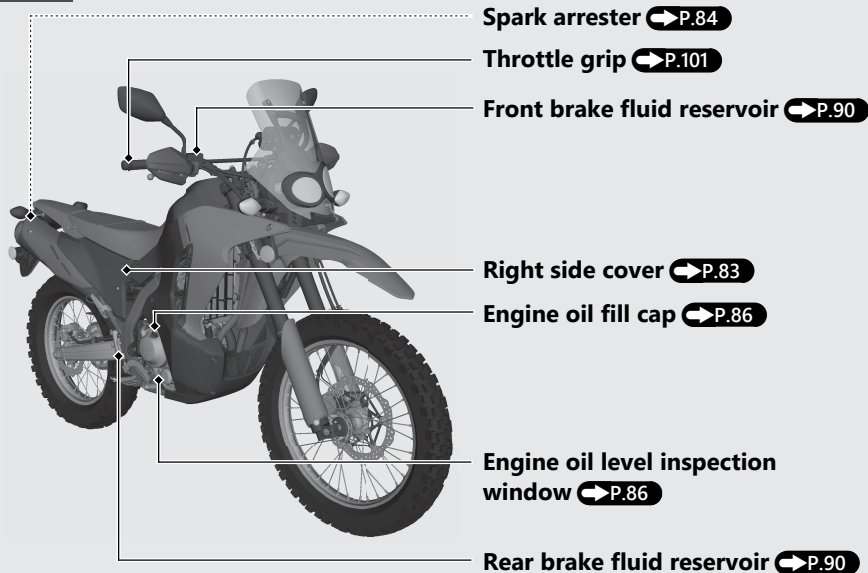
CRF300L/LA/LDA

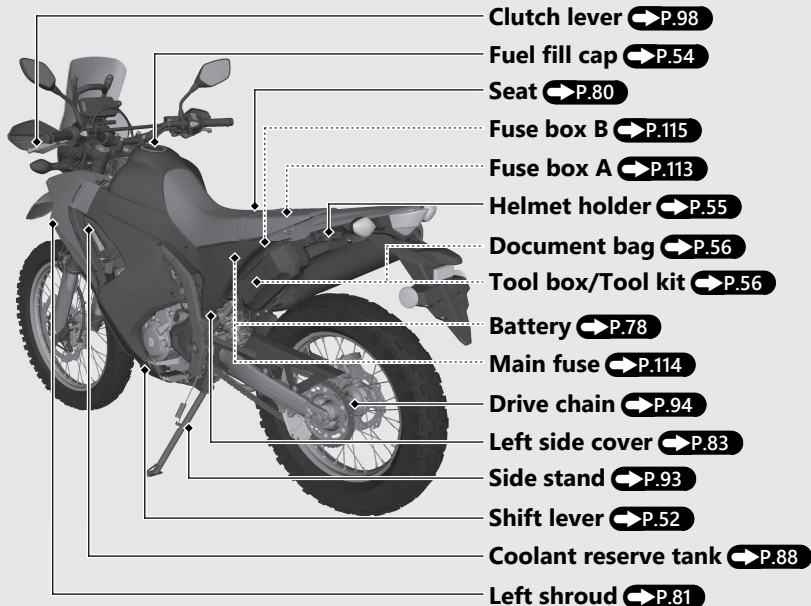




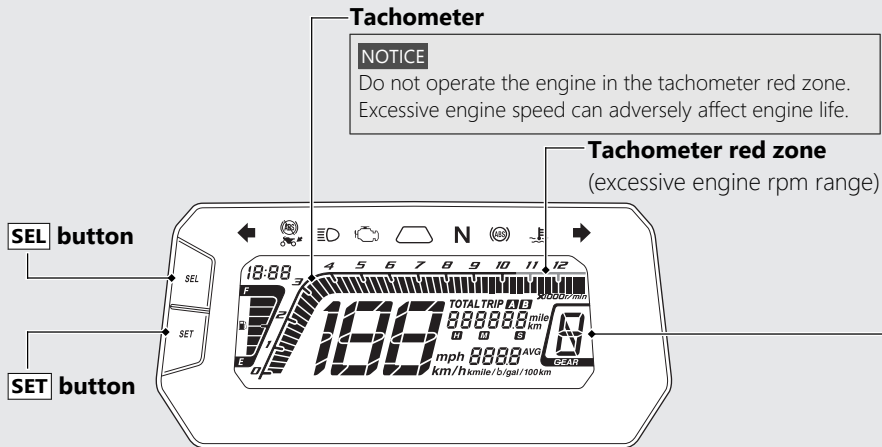
Parts Location *(Continued)*

CRF300LR/LRA



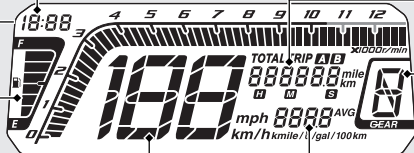


Instruments



Display Check

When the ignition switch is turned to the ON position, all the mode and digital segments will show. If any part of these displays does not come on when it should, have your dealer check for problems.

Clock (12-hour display)To set the clock: **➔ P.34****Odometer [TOTAL], Tripmeter [TRIP A/B], and Stopwatch** **➔ P.26****Gear position indicator**

The gear position is shown in the gear position indicator.

▶ "-" appears when the transmission is not shifted properly.

Speedometer**Average fuel mileage [AVG], Fuel consumption, and Average speed [AVG]** **➔ P.30****Fuel gauge**

Remaining fuel when only 1st (E) segment starts flashing:

L/LA/LDA type approximately 0.50 US gal (1.9 L)**LR/LRA type** approximately 0.58 US gal (2.2 L)**If the fuel gauge indicator flashes in a repeat pattern or turns off:** **➔ P.106****NOTICE**

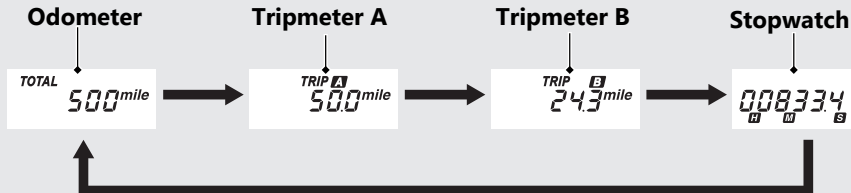
You should refuel when the reading approaches the E (1st) segment. Running out of fuel can cause the engine to misfire, damaging the catalytic converter.



Instruments *(Continued)*

Odometer [TOTAL], Tripmeter [TRIP A/B], and Stopwatch

The **SEL** button switches between the odometer, tripmeter A, tripmeter B, and stopwatch.



| Odometer [TOTAL]

Total distance ridden. When "-----" is displayed, go to your dealer for service.

| Tripmeter [TRIP A/B]

Distance ridden since tripmeter was reset. When "----.-" is displayed, go to your dealer for service.

To reset the tripmeter:  **P.28**

| Stopwatch

Shows elapsed time since the **SET** button was pushed to start the measurement.

Display range:

0H00M00.0S - 9H59M59.9S

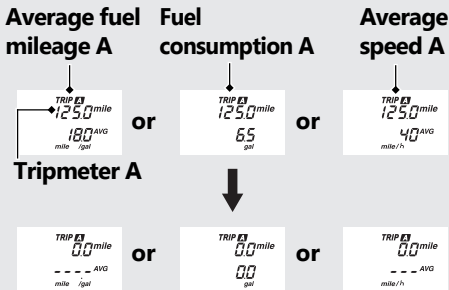
- Above 9H59M59.9S back to 0H00M00.0S

To use the stopwatch:  **P.29**

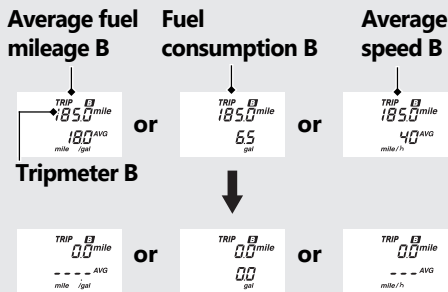
Instruments *(Continued)*

To reset the tripmeter [TRIP A/B], average fuel mileage [AVG], fuel consumption, and average speed [AVG]

To reset the tripmeter A, average fuel mileage A, fuel consumption A, and average speed A (these are based on tripmeter A) together, press and hold the **[SEL]** button while tripmeter A is displayed.



To reset the tripmeter B, average fuel mileage B, fuel consumption B, and average speed B (these are based on tripmeter B) together, press and hold the **[SEL]** button while tripmeter B is displayed.



Stopwatch

To Measure the Time

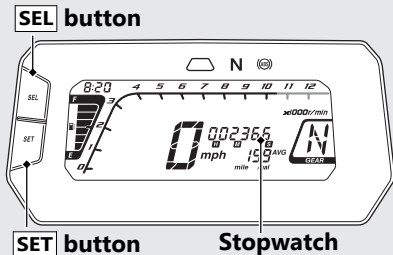
1. Select the stopwatch. P.26
2. To start measurement, press the **SET** button.
 - ▶ The measurement keeps going, if you change an item while measuring.
3. To finish measurement, press the **SET** button.
 - ▶ The measurement can also be finished by turning the ignition switch to the OFF position.

To Restart the Measurement

Press the **SET** button again. The stopwatch restarts measurement.

To Reset the Measured value

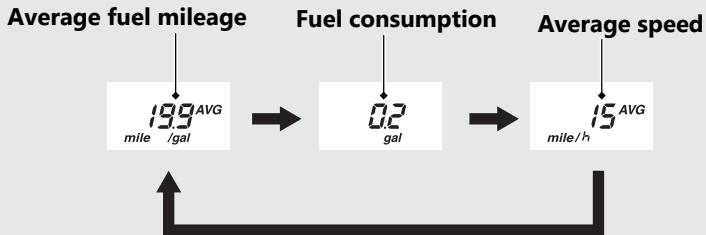
Press and hold the **SEL** button when the stopwatch is displayed and also the measurement is finished.



Instruments *(Continued)*

Average fuel mileage [AVG], Fuel consumption, and Average speed [AVG]

The **SET** button switches between the average fuel mileage, fuel consumption, and average speed.



Average fuel mileage [AVG]

Displays the average fuel mileage since the selected tripmeter was reset.

The average fuel mileage will be calculated based on value displayed on the tripmeter (A or B) selected.

Also, the average fuel mileage for tripmeter A will be displayed when the odometer, tripmeter A, and stopwatch are selected.

Display range:

50 STATE (meets California) 0.0 to 299.9
mile/gal (km/L or L/100km)

Canada 0.0 to 299.9 km/L (L/100km, mile/gal
or mile/L)

- More than 299.9 : "299.9" is displayed.
- When the tripmeter A or B is reset: "---.-" is displayed.

When "---.-" is displayed except for the above-mentioned cases, go to your dealer for service.

To reset the average fuel mileage:

➡ P.28

Instruments *(Continued)*

Fuel consumption

Displays the fuel consumption since the selected tripmeter was reset.

The fuel consumption will be calculated based on value displayed on the tripmeter (A or B) selected.

Also, the fuel consumption for tripmeter A will be displayed when the odometer, tripmeter A, and stopwatch are selected.

Display range:

0.0 to 299.9 gal (gallon) or 0.0 to 299.9 L (liters)

- More than 299.9 : "299.9" is displayed.

When "---.-" is displayed, go to your dealer for service.

To reset the fuel consumption:  **P.28**

Average speed [AVG]

Displays the average speed since the selected tripmeter was reset.

The average speed will be calculated based on value displayed on the tripmeter (A or B) selected.

Also, the average speed for tripmeter A will be displayed when the odometer, tripmeter A, and stopwatch are selected.

Display range:

0 to 124 mile/h (0 to 199 km/h)

- Initial display: "---" is displayed.
- When your vehicle has traveled less than 0.12 mile (0.2 km) since the engine was started: "---" is displayed.
- When your vehicle operating time is less than 30 seconds since the engine was started: "---" is displayed.

When "---" is displayed except for the above-mentioned cases, go to your dealer for service.

To reset the average speed:  **P.28**

Display Setting Setting Mode A

The following items can be changed sequentially. ➡P.34

- Clock setting
- Backlight brightness adjustment
- Changing the speed and mileage unit
- Changing the fuel mileage meter unit

Setting Mode B

The following items can be changed sequentially. ➡P.37

- Setting of REV indicator
(lighting RPM setting, lighting interval RPM setting, and brightness adjustment)
- Setting display mode of tachometer

Instruments *(Continued)*

Setting Mode A

If the **SET** button is not pressed for about 30 seconds, the control is automatically switched from the setting mode to the ordinary display.

If the **SET** button is not pressed for about 30 seconds, items in the process of being set will be discarded and only items where settings have been finalised will be applied. Only if the ignition switch is turned to the OFF position will items in the process of being set and those that are finalised be applied.

1 Clock setting:

- 1 Turn the ignition switch to the ON position.
- 2 Press and hold the **SEL** and the **SET** buttons until the hour digits start flashing.



- 3 Press the **SEL** button until the desired hour is displayed.
 - ▶ Press and hold the **SEL** button to advance the hour fast.



- 4 Press the **SET** button. The minute digits start flashing.



- 5 Press the **SEL** button until the desired minute is displayed.

▶ Press and hold the **SEL** button to advance the minute fast.



- 6 Press the **SET** button. The clock is set, and then the display moves to the backlight brightness adjustment.

2 Backlight brightness adjustment:

You can adjust the brightness to one of five levels.

- 1 Press the **SEL** button. The brightness is switched.



- 2 Press the **SET** button. The backlight is set, and then the display moves to the changing the speed and mileage unit.

Instruments *(Continued)*

3 Changing the speed and mileage unit:

- 1 Press the **SEL** button to select either "mph" and "mile" or "km/h" and "km".



- 2 Press the **SET** button. The speed and mileage unit is set, and then the display moves to the changing the fuel mileage meter unit.

4 Changing the fuel mileage meter unit:

- 1 When "km/h" for speed and "km" for mileage are selected

Press the **SEL** button to select "L/100km" or "km/L".

Canada only

When "mph" for speed and "mile" for mileage are selected

Press the **SEL** button to select "mile/L" or "mile/gal".

▶ When "mile/gal" is selected, the unit of the fuel consumption is changed to "gal".

- 2 Press the **SET** button. The fuel mileage meter unit is set, and then the display moves to the ordinary display.

Setting Mode B

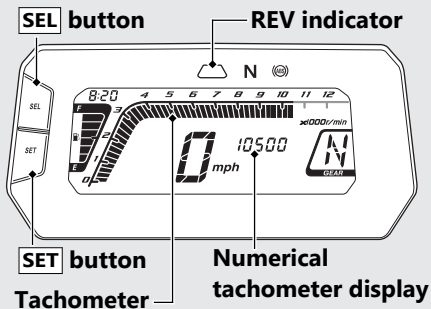
If the **SET** button is not pressed for about 30 seconds, the control is automatically switched from the setting mode to the ordinary display.

If the **SET** button is not pressed for about 30 seconds, items in the process of being set will be discarded and only items where settings have been finalised will be applied. Only if the ignition switch is turned to the OFF position will items in the process of being set and those that are finalised be applied.

1 Setting of REV indicator:

You can change the setting of the REV indicator.

REV indicator is blinking while setting.



Instruments *(Continued)*

- 1 To change the setting mode B, turn the ignition switch to the ON position while pressing the **SEL** button until the display check is finished. The blinking of bar segment in the tachometer shows the currently applied REV indicator lighting RPM, and the numerical tachometer display shows it.
 - ▶ Tachometer bar segment is displayed as conventional display, regardless of set up display method.

- 2 Each time the **SEL** button is pressed, the lighting RPM set value increase by 250 r/min (rpm) (one segment). When the set value exceeds the allowable range, the RPM set value automatically returns to 4,000 r/min (rpm).
 - ▶ Press and hold the **SEL** button to advance the REV indicator lighting setting value fast.

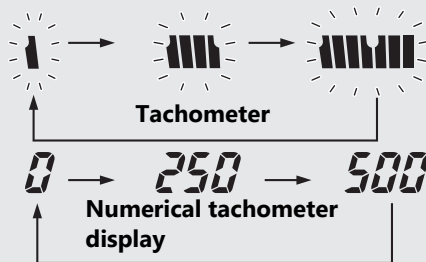
Available Setting Range

4,000 r/min (rpm) -to- 10,500 r/min (rpm)

- 3 Press the **SET** button. The REV indicator lighting RPM is set, and then the display moves to the setting of REV indicator lighting interval RPM.

At the same time, the blinking bar segment shows the currently applied setting originated from the REV indicator lighting RPM and the numerical tachometer display shows the REV indicator lighting interval RPM.

- 4 Each time the **SEL** button is pressed, the number of REV indicator lighting interval RPM is switched among 0 r/min (rpm), 250 r/min (rpm) and 500 r/min (rpm) in this order.



Instruments *(Continued)*

Ex When REV indicator lighting RPM is setting 8,000 r/min (rpm) and REV indicator lighting interval RPM is 250 r/min (rpm).

REV indicator	r/min (rpm)
Blinking (2 times/second)	7,250 r/min (rpm)
Blinking (5 times/second)	7,500 r/min (rpm)
Blinking (10 times/second)	7,750 r/min (rpm)
Lighting	8,000 r/min (rpm)

If the REV indicator lighting interval RPM is 0, the REV indicator starts to lighting when reaching to the REV indicator lighting RPM.

- Press the **SET** button. The REV indicator lighting interval RPM is set, and then the display moves to the brightness adjustment of the REV indicator. The REV indicator switches from blinking to lighting.
- Press the **SEL** button. The brightness is switched.
 - You can adjust the brightness to one of five levels.



- Press the **SET** button. The brightness of the REV indicator is set, and then the display moves to the display setting of the tachometer.

2 Changing of tachometer display mode:

You can change the display mode of the tachometer.

- 1 Press the **SEL** button to switch the display mode of tachometer.
- 2 Press the **SET** button. The currently selected displaying mode is set, and the control returns to the ordinary display.

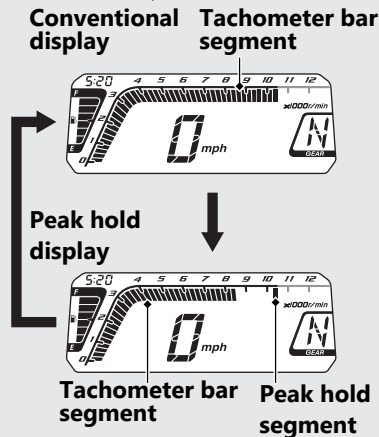
Conventional display

Shows the engine RPM on the tachometer bar segment.

Peak hold display

Shows the engine RPM on the tachometer bar segment and peak hold segment. The peak hold segment keeps to show the maximum engine RPM temporarily.

Ex Engine revolutions per minutes
10,500 r/min (rpm)



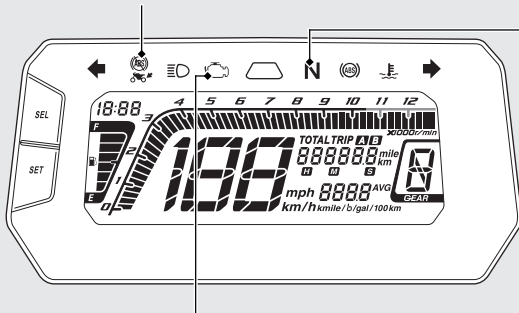
Indicators

If one of these indicators does not come on when it should, have your dealer check for problems.

Rear ABS (Anti-lock Brake System) OFF indicator **CRF300LA/LDA/LRA**

Comes on briefly when the ignition switch is turned to the ON position.


Comes on when the ABS function on the rear wheel is turned off.




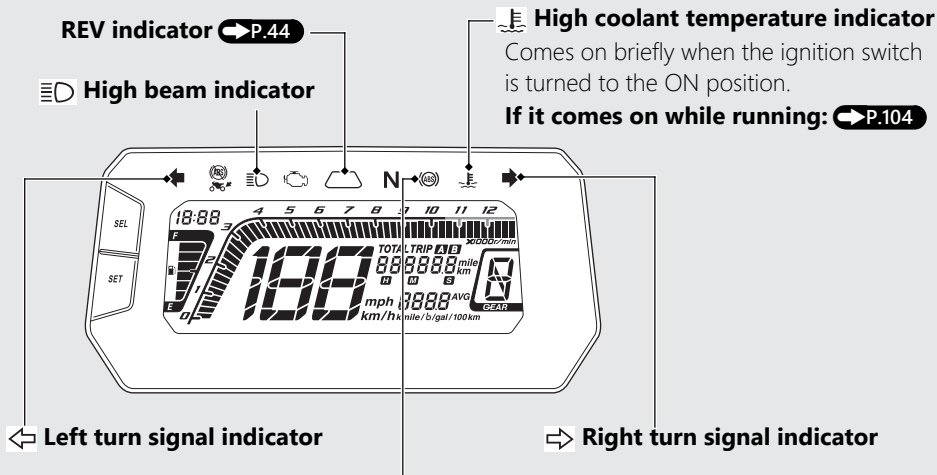
N **Neutral indicator**

Comes on when the transmission is in Neutral.

PGM-FI (Programmed Fuel Injection) malfunction indicator lamp (MIL)

Comes on briefly when the ignition switch is turned to the ON position with the engine stop switch in the  (Run) position.

If it comes on while engine is running:  **P.105**



High coolant temperature indicator
 Comes on briefly when the ignition switch is turned to the ON position.
If it comes on while running: P.104

ABS (Anti-lock Brake System) indicator CRF300LA/LDA/LRA
 Comes on when the ignition switch is turned to the ON position.
 Goes off when your speed reaches approximately 6 mph (10 km/h).
If it comes on while riding: P.105

Indicators *(Continued)*

REV Indicator


- Comes on briefly when the ignition switch is turned to the ON position.

Initial setting

blinking RPM: 8,000 r/min (rpm)

interval RPM: 250 r/min (rpm)



REV indicator	r/min (rpm)
Blinking (2 times/second)	7,250 r/min (rpm)
Blinking (5 times/second)	7,500 r/min (rpm)
Blinking (10 times/second)	7,750 r/min (rpm)
Lighting	8,000 r/min (rpm)

▶ Setting of REV indicator:  **P.37**

This page intentionally left blank.

Switches

Headlight dimmer switch


-  : High beam
-  : Low beam

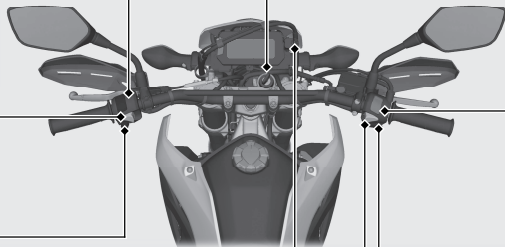
Horn button

Turn signal switch

- ▶ Pressing the switch turns the turn signal off.

Rear ABS switch **CRF300LA/LDA/LRA**

Switches the ABS function on the rear wheel on/off.  **P.49**



Ignition switch

Switches the electrical system on/off, locks the steering.

- ▶ Key can be removed when in the OFF or LOCK position.

Steering Lock: P.48

Engine stop switch

Should normally remain in the (Run) position.

- ▶ In an emergency, switch to the (Stop) position (the starter motor will not operate) to stop the engine.

Start button

L/LA/LDA type

Headlight turns off when operating the starter motor.

Hazard switch

Switchable when the ignition switch is turned to the ON position.

ON

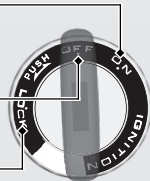
Turns electrical system on for starting/riding.

OFF

Turns engine off.

LOCK

Locks steering.

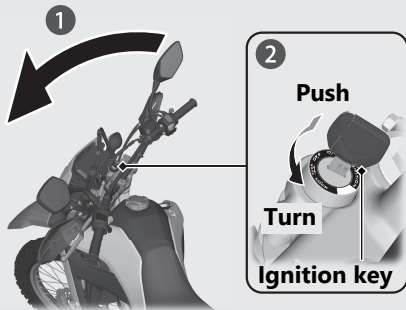


Switches *(Continued)*

Steering Lock

Lock the steering when parking to help prevent theft.

A U-shaped wheel lock or similar device is also recommended.



Locking

- 1 Turn the handlebar all the way to the left.
- 2 Push the key down, and turn the ignition switch to the LOCK position.
 - ▶ Jiggle the handlebar if the lock is difficult to engage.
- 3 Remove the key.

Unlocking

Insert the key, push it in, and turn the ignition switch to the OFF position.

ABS function on the rear wheel

CRF300LA/LDA/LRA

The ABS function on the rear wheel can be optionally turned off for off-road riding.

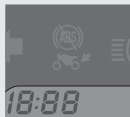
- ▶ Each time the ignition switch is turned to the ON position, the ABS function on both wheels will automatically be turned on.

To turn off the ABS function on the rear wheel

- 1 Stop the vehicle.
- 2 Press and hold the rear ABS switch until the rear ABS OFF indicator starts flashing, then release the switch while the indicator is flashing.
 - ▶ The rear ABS OFF indicator is on, when the ABS function on the rear wheel is turned off.
 - ▶ The ABS function on the rear wheel remains on, if the switch is released after indicator stops flashing.

To turn on the ABS function on both wheels

- 1 Stop the vehicle.
- 2 Press and hold the rear ABS switch until the rear ABS OFF indicator is turned off, or turn the ignition switch to the OFF position and the ON position.

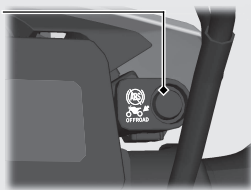


ABS function on both wheels is on.



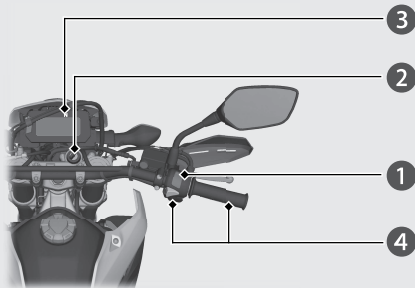
ABS function on rear wheel is off.


Rear ABS switch



Starting the Engine

Start your engine using the following procedure, regardless of whether the engine is cold or warm.



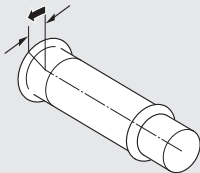
- 1 Make sure the engine stop switch is in the  (Run) position.
- 2 Turn the ignition switch to the ON position.
- 3 Shift the transmission to Neutral (**N** indicator to come on). Alternatively, pull in the clutch lever to start your vehicle with the transmission in gear as long as the side stand is raised.

NOTICE

- If the engine does not start within 5 seconds, turn the ignition switch to the OFF position and wait 10 seconds before trying to start the engine again to recover battery voltage.
- Extended fast idling and revving the engine can damage the engine and the exhaust system.

- ④ Press the start button with the throttle completely closed.
 - ▶ If you cannot start the engine, open the throttle slightly (about 1/8 in [3 mm], without freeplay) and press the start button.

About 1/8 in (3 mm), without freeplay



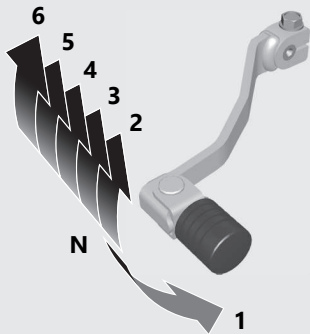
If the engine does not start:

- ① Open the throttle fully and press the start button for 5 seconds.
 - ▶ The engine will not start at this time. (When the throttle is fully open, the engine will not start when the start button is pressed.) Release the throttle and start button after 5 seconds and proceed to step 2.
- ② Repeat the normal starting procedure.
- ③ If the engine starts, open the throttle slightly if idling is unstable.
- ④ If the engine does not start, wait 10 seconds before trying steps ① & ② again.

If Engine Will Not Start ➡ P.103

Shifting Gears

Your vehicle transmission has 6 forward gears in a one-down, five-up shift pattern.



If you put the vehicle in gear with the side stand down, the engine will shut off.

Recommended Shift Points

Shifting Up

From 1st to 2nd	12 mph (20 km/h)
From 2nd to 3rd	19 mph (30 km/h)
From 3rd to 4th	25 mph (40 km/h)
From 4th to 5th	31 mph (50 km/h)
From 5th to 6th	37 mph (60 km/h)

Shifting Down

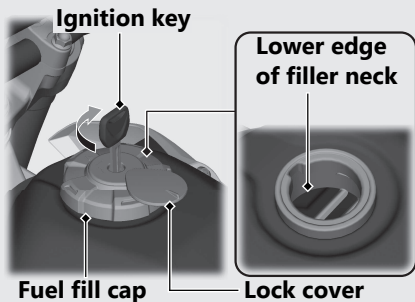
From 6th to 5th	28 mph (45 km/h)
From 5th to 4th	22 mph (35 km/h)
From 4th to 3rd	16 mph (25 km/h)

NOTICE

Improper shifting can damage the engine, transmission, and drive train. Also, coasting or towing the vehicle for long distances with the engine off can damage the transmission.

Refueling

CRF300L/LA/LDA



Do not fill with fuel above the lower edge of the filler neck.

Fuel type: Unleaded gasoline only

Recommended fuel octane number:

Pump Octane Number (PON) 86 or higher.

Tank capacity: 2.06 US gal (7.8 L)

Refueling and Fuel Guidelines ➔ P.16

Opening the Fuel Fill Cap

Open the lock cover, insert the ignition key, and turn it clockwise to open the fuel fill cap.

Closing the Fuel Fill Cap

- 1 After refueling, align the fuel fill cap latch with the slot in the filler neck.
- 2 Push the fuel fill cap into the filler neck until it snaps closed and locks.
- 3 Remove the key and close the lock cover.
 - ▶ The key cannot be removed if the fuel fill cap is not locked.

⚠ WARNING

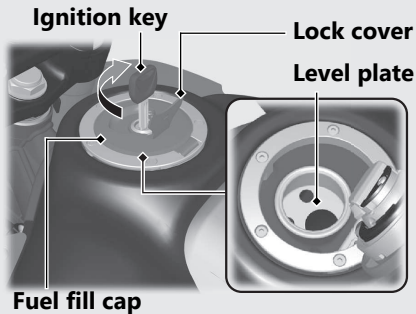
Gasoline is highly flammable and explosive. You can be burned or seriously injured when handling fuel.

- Stop the engine, and keep heat, sparks, and flames away.
- Only handle fuel outdoors.
- Wipe up spills immediately.

Continued 53

Refueling *(Continued)*

CRF300LR/LRA



Do not fill with fuel above the level plate.

Fuel type: Unleaded gasoline only

Recommended fuel octane number:

Pump Octane Number (PON) 86 or higher.

Tank capacity: 3.38 US gal (12.8 L)

Refueling and Fuel Guidelines ➔ P.16

Opening the Fuel Fill Cap

Open the lock cover, insert the ignition key, and turn it clockwise to open the fuel fill cap.

Closing the Fuel Fill Cap

- 1 After refueling, push the fuel fill cap closed until it locks.
- 2 Remove the key and close the lock cover.
 - ▶ The key cannot be removed if the fuel fill cap is not locked.

⚠ WARNING

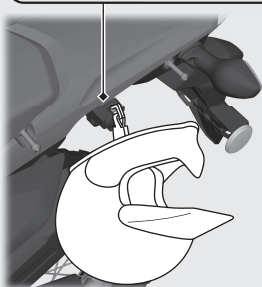
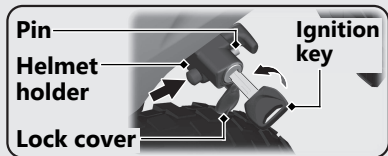
Gasoline is highly flammable and explosive. You can be burned or seriously injured when handling fuel.

- Stop the engine, and keep heat, sparks, and flames away.
- Only handle fuel outdoors.
- Wipe up spills immediately.

Storage Equipment

Helmet Holder

The helmet holder is located on the left side of the vehicle.



Unlocking

Open the lock cover, insert the ignition key and turn it counterclockwise.

Locking

- 1 Hang your helmet on the holder pin and push it in to lock.
- 2 Remove the key and close the lock cover.
 - ▶ Use the helmet holder only when parked.

⚠ WARNING

Riding with a helmet attached to the holder can interfere with the rear wheel or suspension and could cause a crash in which you can be seriously hurt or killed.

Use the helmet holder only while parked. Do not ride with a helmet secured by the holder.

Storage Equipment *(Continued)*

Document Bag and Tool Kit

The document bag and tool kit are stored in the tool box located on the left side of the vehicle.

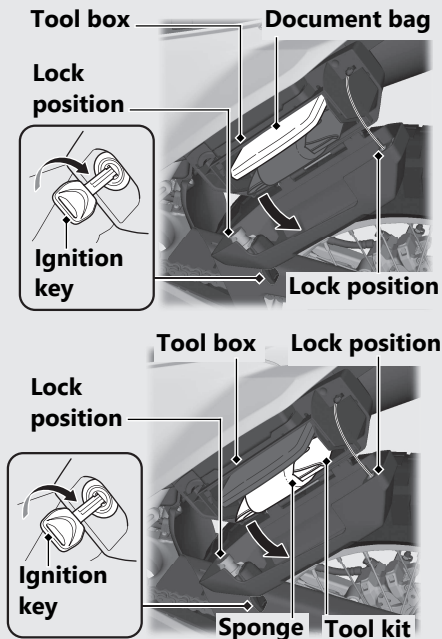
Open

Insert the ignition key and turn it clockwise to open the tool box.

Close

Close the tool box and push the lock positions until it is firmly closed. Remove the ignition key.

- ▶ Make sure the tool box is closed before riding.
- ▶ As shown in the illustration, wrap the tool kit with a sponge and store it in the tool box.



Maintenance

Please read "Importance of Maintenance" and "Maintenance Fundamentals" carefully before attempting any maintenance. Refer to "Specifications" for service data.

An optional larger tool kit may be available.
Check with your Honda dealer's parts department.

Importance of Maintenance	P. 58	Side Stand	P. 93
Maintenance Schedule	P. 60	Drive Chain	P. 94
Maintenance Record	P. 63	Wheels	P. 97
Maintenance Fundamentals	P. 64	Clutch	P. 98
Removing & Installing Body Components ..	P. 78	Throttle	P. 101
Battery	P. 78		
Clip	P. 79		
Seat	P. 80		
Left Shroud	P. 81		
Side Cover	P. 83		
Spark Arrester	P. 84		
Engine Oil	P. 86		
Coolant	P. 88		
Brakes	P. 90		

Importance of Maintenance

Importance of Maintenance

Keeping your vehicle well-maintained is absolutely essential to your safety and to protect your investment, obtain maximum performance, avoid breakdowns, and reduce air pollution. Maintenance is the owner's responsibility. Be sure to inspect your vehicle before each ride and perform the periodic checks specified in the Maintenance Schedule.

➤ P. 60

⚠ WARNING

Improperly maintaining your vehicle or failing to correct a problem before you ride can cause a crash in which you can be seriously hurt or killed.

Always follow the inspection and maintenance recommendations and schedules in this owner's manual.

For information about the exhaust emission and noise emission requirements of the U.S. Environmental Protection Agency (EPA), the California Air Resources Board (CARB), and the Environment and Climate Change Canada (ECCC). ➤ P. 128

USA

Maintenance, replacement or repair of the emission control devices and systems may be performed by any vehicle repair establishment or individual using parts that are "certified" to EPA standards.

Maintenance Safety

Always read the maintenance instructions before you begin each task and make sure that you have the tools, parts, and skills required. We cannot warn you of every conceivable hazard that can arise in performing maintenance. Only you can decide whether or not you should perform a given task.

Follow these guidelines when performing maintenance.

- Stop the engine and remove the key.
- Place your vehicle on a firm, level surface using the side stand or a maintenance stand to provide support.
- Allow the engine, muffler, brakes, and other high-temperature parts to cool before servicing as you can get burned.
- Run the engine only when instructed, and do so in a well-ventilated area.

Maintenance Schedule

The maintenance schedule specifies the maintenance requirements necessary to ensure safe, dependable performance, and proper emission control.

Maintenance work should be performed in accordance with Honda's standards and specifications by properly trained and equipped technicians. Your dealer meets all of these requirements. All scheduled maintenance is considered a normal owner operating cost and will be charged to you by your dealer. Keeping an accurate maintenance record will help ensure your vehicle is properly maintained.

➤ P. 63

Make sure whoever performs the scheduled maintenance completes the maintenance record. Retain all service documents. If you sell your vehicle, these service documents should be transferred with the vehicle to the new owner.

Items	Frequency*1								Regular Replace	Refer to page
	× 1,000 mi	0.6	4	8	12	16	20	24		
	× 1,000 km	1.0	6.4	12.8	19.2	25.6	32.0	38.4		
Fuel Line				I		I		I		-
Throttle Operation				I		I		I		101
Air Cleaner*2					R			R		-
Crankcase Breather*3			C	C	C	C	C	C		-
Spark Plug	Every 16,000 mi (25,600 km): I, Every 32,000 mi (51,200 km): R									-
Valve Clearance						I				-
Engine Oil		R		R		R		R	1 Year	-
Engine Oil Filter		R				R				-
Engine Idle Speed				I		I		I		-
Radiator Coolant*7				I		I		I	3 Years	88
Cooling System				I		I		I		-
Secondary Air Supply System						I				-
Evaporative Emission Control System*4						I				-

Maintenance Level

- : Intermediate. We recommend service by your dealer, unless you have the necessary tools and are mechanically skilled. Procedures are provided in an official Honda Service Manual (➡ P. 134).
- : Technical. In the interest of safety, have your vehicle serviced by your dealer.






Emission-Related Maintenance

: Emission-Related items

Maintenance Legend

- I** : Inspect (clean, adjust, lubricate, or replace, if necessary)
- L** : Lubricate
- R** : Replace
- C** : Clean

Maintenance Schedule

Items		Frequency*1							Regular Replace	Refer to page	
		× 1,000 mi	0.6	4	8	12	16	20			24
		× 1,000 km	1.0	6.4	12.8	19.2	25.6	32.0			38.4
Drive Chain*5		Every 600 mi (1,000 km): I L								94	
Drive Chain Slider			I	I	I	I	I	I		96	
Brake Fluid*7			I	I	I	I	I	I	2 Years	90	
Brake Pads Wear			I	I	I	I	I	I		91	
Brake System				I		I		I		64	
Brake light Switch				I		I		I		92	
Headlight Aim				I		I		I		-	
Clutch System			I	I	I	I	I	I		98	
Side Stand				I		I		I		93	
Suspension				I		I		I		-	
Spark Arrester*6			C	C	C	C	C	C		84	
Nuts, Bolts, Fasteners*5				I		I		I		-	
Wheels/Tires*5			I	I	I	I	I	I		75, 97	
Steering Head Bearings				I		I		I		-	

Notes:

- *1 : At higher odometer reading, repeat at the frequency interval established here.
- *2 : Service more frequently when riding in unusually wet or dusty areas.
- *3 : Service more frequently when riding in rain or at full throttle.

- *4 : 50 STATE (meets California)
- *5 : Service more frequently when riding OFF-ROAD.
- *6 : USA only.
- *7 : Replacement requires mechanical skill.

Maintenance Record

Distance	Odometer	Date	Performed By:	Notes
600 miles (1,000 km)				
4,000 miles (6,400 km)				
8,000 miles (12,800 km)				
12,000 miles (19,200 km)				
16,000 miles (25,600 km)				
20,000 miles (32,000 km)				
24,000 miles (38,400 km)				
28,000 miles (44,800 km)				
32,000 miles (51,200 km)				
36,000 miles (57,600 km)				
40,000 miles (64,000 km)				
44,000 miles (70,400 km)				
48,000 miles (76,800 km)				
52,000 miles (83,200 km)				
56,000 miles (89,600 km)				
60,000 miles (96,000 km)				
64,000 miles (102,400 km)				
68,000 miles (108,800 km)				

Pre-ride Inspection

To ensure safety, it is your responsibility to perform a pre-ride inspection and make sure that any problem you find is corrected. A pre-ride inspection is a must, not only for safety, but because having a breakdown, or even a flat tire, can be a major inconvenience.

Before riding on-road, or returning to pavement after riding off-road, take a few moments to walk around your vehicle and look for any loose parts or anything that appears unusual.

Also check the following.

- Tire tread wear and air pressures are within limits ➤ P. 75
- Lights, horn, and turn signals operate normally
- Check the condition of the drive chain. Adjust slack and lubricate as needed ➤ P. 73

Check the following items if you are carrying a passenger or cargo:

- Combined weight is within load limits
➤ P. 142
- Cargo is secured properly

Check the following items after you get on your vehicle:

- Throttle action moves smoothly without binding ➤ P. 101
- Brake lever and pedal operate normally
- Check the fuel level and refuel when needed
➤ P. 16, ➤ P. 53
- Engine stop switch functions properly
➤ P. 46

Check the following items at regular intervals:

- Oil level is between the upper and lower level marks ➤ P. 86
- Brake fluid level:
Front: above the LOWER level mark ➤ P. 90
Rear: above the LWR level mark ➤ P. 90
- Engine coolant level is between the UPPER and LOWER level marks ➤ P. 88
- Side stand functions properly ➤ P. 93

Before riding off-road check all of the preceding plus the following:

- Make sure spokes are tight. Check the rims for any damage ➤ P. 97
- Oil level is between the upper and lower marks ➤ P. 86
- Check the fuel level and refuel when needed ➤ P. 16, ➤ P. 53
- Be sure the fuel fill cap is securely fastened ➤ P. 53
- Clutch lever operates smoothly. Adjust freeplay if necessary ➤ P. 98
- Check for loose cables and other parts, and anything that appears abnormal
- Use a wrench to check the tightness of all accessible nuts, bolts and fasteners

Periodic Checks

You should also perform other periodic maintenance checks at least once a month regardless of how often you ride, or more often if you ride frequently.

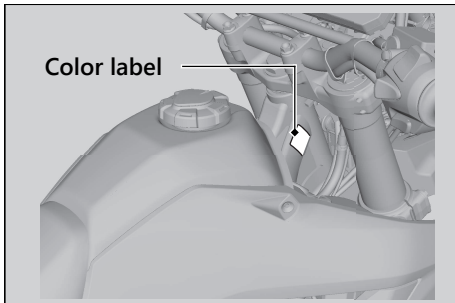
Also, check the odometer reading against the Maintenance Schedule and perform all maintenance that is due. ➤ P. 60

Tires and wheels	Check the air pressure (➤ P. 75), examine tread for wear and damage (➤ P. 75), and check the wheels for damage.
Fluid levels	Check the engine oil level (➤ P. 86), engine coolant level (➤ P. 88), and brake fluid level (➤ P. 90).
Lights	Check that the headlight, brake light, taillight, turn signals, and license plate light are working properly.
Controls	Check the freeplay of the clutch lever (➤ P. 98) and throttle grip (➤ P. 101).
Drive chain	Check the slack (➤ P. 94), adjust the slack, and lubricate (➤ P. 73) as needed.
Fuses	Check that you have a full supply of spare fuses.
Nuts & bolts	Check the major nuts and bolts, and tighten as needed.
Crankcase Breather	Service the crankcase breather more frequently if your vehicle is ridden in the rain or often at full throttle. Service the breather if you can see deposits in the transparent section of the drain tube.

Replacing Parts

Always use Honda Genuine Parts or their equivalents to ensure reliability and safety. When ordering colored components, specify the model name, color, and code mentioned on the color label.

The color label is attached to the right side of the frame.



⚠️ WARNING

Installing non-Honda parts may make your vehicle unsafe and cause a crash in which you can be seriously hurt or killed.

Always use Honda Genuine Parts or equivalents that have been designed and approved for your vehicle.

Battery

Your vehicle has a maintenance-free type battery. You do not have to check the battery electrolyte level or add distilled water. Clean the battery terminals if they become dirty or corroded.

Do not remove the battery cap seals. There is no need to remove the cap when charging.



This symbol on the battery means that this product must not be treated as household waste.

NOTICE

An improperly disposed of battery can be harmful to the environment and human health. Always confirm local regulations for proper battery disposal instruction.

What to do in an emergency

If any of the following occur, immediately see your doctor.

- Electrolyte splashes into your eyes:
 - ▶ Wash your eyes repeatedly with cool water for at least 15 minutes. Using water under pressure can damage your eyes.
- Electrolyte splashes onto your skin:
 - ▶ Remove affected clothing and wash your skin thoroughly using water.

- Electrolyte splashes into your mouth:
 - ▶ Rinse mouth thoroughly with water, and do not swallow.

⚠ WARNING

The battery gives off explosive hydrogen gas during normal operation.

A spark or flame can cause the battery to explode with enough force to kill or seriously hurt you.

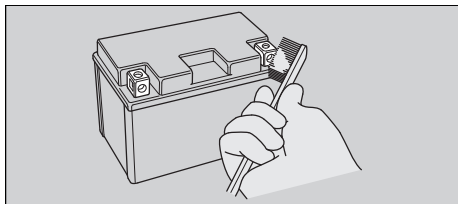
Wear protective clothing and a face shield, or have a skilled mechanic do the battery servicing.

WARNING: Battery posts, terminals, and related accessories contain lead and lead compounds.

Wash your hands after handling.

■ Cleaning the Battery Terminals

1. Remove the battery. ➤ P. 78
2. If the terminals are starting to corrode and are coated with a white substance, wash with warm water and wipe clean.
3. If the terminals are heavily corroded, clean and polish the terminals with a wire brush or sandpaper. Wear safety glasses.



4. After cleaning, reinstall the battery.

The battery has a limited life span. Consult your dealer about when you should replace the battery. Always replace the battery with another maintenance-free battery of the same type.

| Charging

If you use electrical accessories that drain the battery or you do not ride frequently, we recommend that you charge the battery every 30 days using a charger designed specifically for your Honda, which can be purchased from your dealer. Read the information that came with your battery charger and follow the instructions on the battery. Avoid using an automobile-type battery charger, as these can overheat a motorcycle battery and cause permanent damage.

Make sure the ignition switch is in the OFF position before charging the battery.

NOTICE

Improper charging can damage the battery. If you can't charge the battery or it appears unable to hold a charge, contact your dealer.

NOTICE

Jump starting using an automobile battery can damage your vehicle's electrical system and is not recommended. Bump starting is also not recommended.

NOTICE

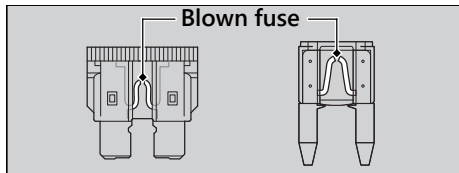
Installing non-Honda electrical accessories can overload the electrical system, discharging the battery and possibly damaging the system.

Fuses

Fuses protect the electrical circuits on your vehicle. If something electrical on your vehicle stops working, check for and replace any blown fuses. ➔ P. 113

Inspecting and Replacing Fuses

Turn the ignition switch to the OFF position to remove and inspect fuses. If a fuse is blown, replace with a fuse of the same rating. For fuse ratings, see "Specifications." ➤ P. 144



NOTICE

Replacing a fuse with one that has a higher rating greatly increases the chance of damage to the electrical system.

If a fuse fails repeatedly, you likely have an electrical fault. Have your vehicle inspected by your dealer.

Engine Oil

Engine oil consumption varies and oil quality deteriorates according to riding conditions and time elapsed.

Check the engine oil level regularly, and add the recommended engine oil if necessary. Dirty oil or old oil should be changed as soon as possible.

Selecting the Engine Oil

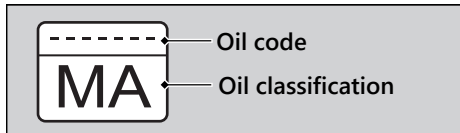
For recommended engine oil, see "Specifications." ➤ P. 143

If you use non-Honda engine oil, check the label to make sure that the oil satisfies all of the following standards:

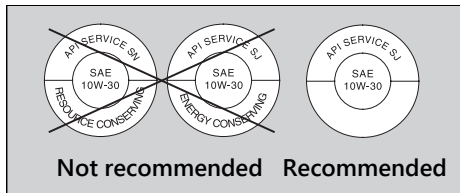
- JASO T 903 standard*¹: MA
- SAE standard*²: 10W-30
- API classification*³: SJ or higher

Maintenance Fundamentals

- *1. The JASO T 903 standard is an index for engine oils for 4-stroke motorcycle engines. There are two classes: MA and MB. For example, the following label shows the MA classification.



- *2. The SAE standard grades oils by their viscosity.
- *3. The API classification specifies the quality and performance rating of engine oils. Use SJ or higher oils, excluding oils marked as "Energy Conserving" or "Resource Conserving" on the circular API service symbol.



Brake Fluid

Do not add or replace brake fluid, except in an emergency. Use only fresh brake fluid from a sealed container. If you do add fluid, have the brake system serviced by your dealer as soon as possible.

NOTICE

Brake fluid can damage plastic and painted surfaces. Wipe up spills immediately and wash thoroughly.

Recommended brake fluid:

Honda DOT 3 or DOT 4 Brake Fluid or equivalent

⚠ WARNING

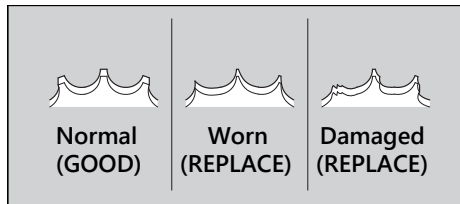
Clean filler cap before removing. Use only DOT 3 or DOT 4 fluid from a sealed container.

Drive Chain

The drive chain must be inspected and lubricated regularly. Inspect the chain more frequently if you often ride on bad roads, ride at high speed, or ride with repeated fast acceleration. 📄 P. 94

If the chain does not move smoothly, makes strange noises, has damaged rollers, has loose pins, has missing O-rings, or has kinks, have the chain inspected by your dealer.

Also inspect the drive sprocket and driven sprocket. If either has worn or damaged teeth, have the sprocket replaced by your dealer.



NOTICE

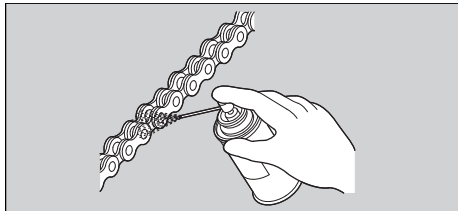
Use of a new chain with worn sprockets will cause rapid chain wear.

Cleaning and Lubricating

After inspecting the slack, clean the chain and sprockets while rotating the rear wheel. Use a dry cloth with chain cleaner designed specifically for O-ring chains, or neutral detergent. Use a soft brush if the chain is dirty. After cleaning, wipe dry and lubricate with the recommended lubricant.

Recommended lubricant:

Pro Honda HP Chain Lube or equivalent



Maintenance Fundamentals

Do not use a steam cleaner, a high pressure cleaner, a wire brush, volatile solvent such as gasoline and benzene, abrasive cleaner, chain cleaner or lubricant NOT designed specifically for O-ring chains as these can damage the rubber O-ring seals.

Avoid getting lubricant on the brakes or tires. Avoid applying excess chain lubricant to prevent spray onto your clothes and the vehicle.

Recommended Coolant

Pro Honda HP Coolant is a pre-mixed solution of antifreeze and distilled water.

Concentration:

50% antifreeze and 50% distilled water

A concentration of antifreeze below 40% will not provide proper corrosion and cold temperature protection.

A concentration of up to 60% will provide better protection in colder climates.

NOTICE

Using coolant not specified for aluminum engines or tap/mineral water can cause corrosion.

Crankcase Breather

Service more frequently when riding in rain, at full throttle, or after the vehicle is washed or overturned. Service if the deposit level can be seen in the transparent section of the drain tube.

If the drain tube overflows, the air filter may become contaminated with engine oil, causing poor engine performance.

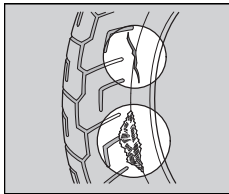
Tires (Inspecting/Replacing)

Checking the Air Pressure

Visually inspect your tires and use an air pressure gauge to measure the air pressure before each off-road ride and whenever you return to pavement after riding off-road. If you only ride on pavement, check the pressure at least once a month or any time you think the tires look low. Always check air pressure when your tires are cold.

If you decide to adjust the tire pressure for a particular off-road riding condition, make changes a little at a time.

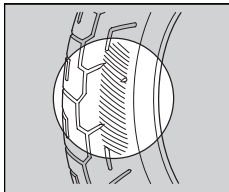
Inspecting for Damage



Inspect the tires for cuts, slits, or cracks that expose fabric or cords, or nails or other foreign objects embedded in the side of the tire or the tread.

Also inspect for any unusual bumps or bulges in the side walls of the tires.

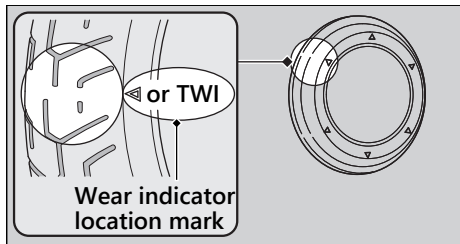
Inspecting for Abnormal Wear



Inspect the tires for signs of abnormal wear on the contact surface.

Inspecting Tread Depth

Inspect the tread wear indicators. If they become visible, replace the tires immediately. For safe riding, you should replace the tires when the minimum tread depth is reached.



Inspecting Rims and Valve Stems

Inspect the rims for damage and loose spokes. Also inspect the valve stems for their positions. A tilted valve stem indicates the tube is slipping inside the tire or the tire is slipping on the rim. See your dealer.

⚠️ WARNING

Riding on tires that are excessively worn or improperly inflated can cause a crash in which you can be seriously hurt or killed.

Follow all instructions in this owner's manual regarding tire inflation and maintenance.

Have your tires replaced by your dealer. For recommended tires, air pressure, and minimum tread depth, see "Specifications."

➤ P. 143

Follow these guidelines whenever you replace tires:

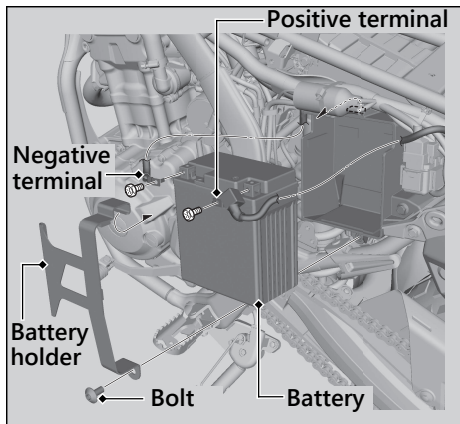
- Use the recommended tires or their equivalents of the same size, construction, speed rating, and load range.
- Remember to replace the inner tube whenever you replace a tire. The old tube will probably be stretched, and it could fail if installed in a new tire.

⚠ WARNING

Installing improper tires on your vehicle can adversely affect handling and stability, and can cause a crash in which you can be seriously hurt or killed.

Always use the size and type of tires recommended in this owner's manual.

Battery



Removal

Make sure the ignition switch is in the OFF position.

1. Remove the left shroud. ➤ P. 81

2. Remove the bolt and the battery holder.
3. Disconnect the negative \ominus terminal from the battery.
4. Disconnect the positive \oplus terminal from the battery.
5. Remove the battery, taking care not to drop the terminal nuts.

Installation

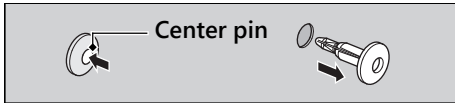
Install the parts in the reverse order of removal. Always connect the positive \oplus terminal first. Make sure bolts and nuts are tight.

Make sure the clock information is correct after the battery is reconnected. ➤ P. 34
For proper handling of the battery, see "Maintenance Fundamentals." ➤ P. 68
"Battery Goes Dead." ➤ P. 108

Clip

Removal

1. Press down on the center pin to release the lock.
2. Pull the clip out of the hole.



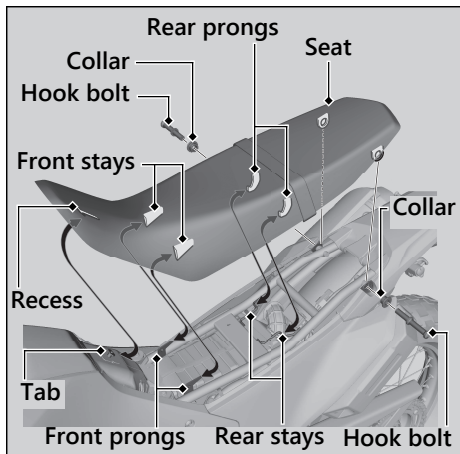
Installation

1. Push the bottom of the center pin.



2. Insert the clip into the hole.
3. Press down on the center pin to lock the clip.

Seat



Removal

1. Remove the hook bolts and collars.
2. Pull the seat back and up.

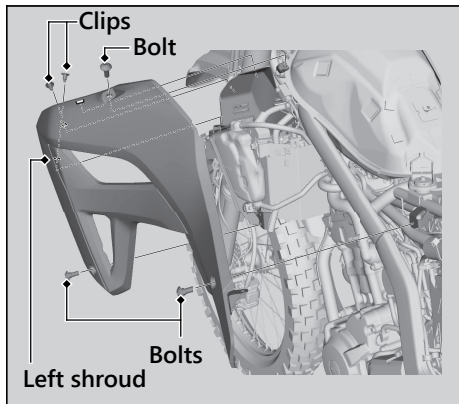
Installation

1. Align the recess with the tab and insert the prongs into the stays and attach the seat as shown.
2. Install the collars onto the hook bolts. Tighten the hook bolts.

Torque: 15 lbf·ft (21 N·m, 2.1 kgf·m)

Left Shroud

CRF300L/LA/LDA



Removal

1. Remove the left side cover. ► P. 83
2. Remove the clips. ► P. 79
3. Remove the bolts.
4. Remove the left shroud.

Installation

1. Install the left shroud.
2. Install and tighten the bolts.
3. Install the clips.
4. Install the left side cover.

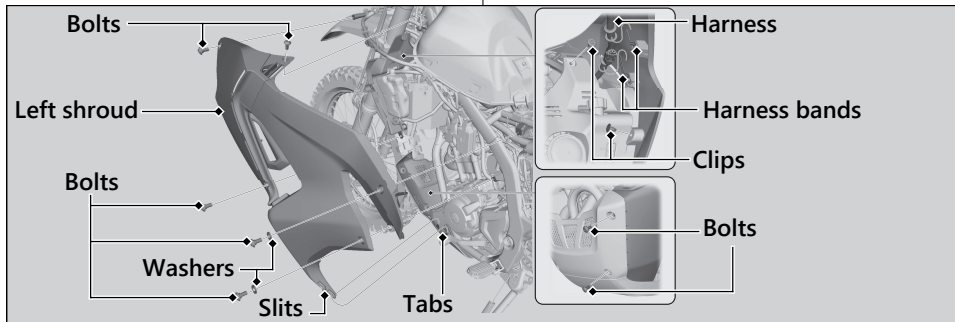
CRF300LR/LRA

Removal

1. Remove the left side cover. ► P. 83
2. Release the harness from the harness bands.
3. Remove the clips. ► P. 79
4. Remove the bolts and washers.
5. Remove the tabs from the slits.
6. Remove the left shroud.

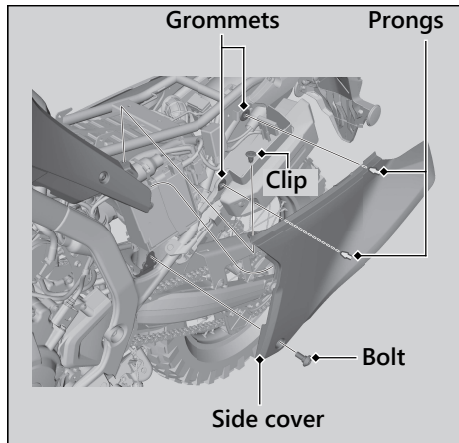
Installation

1. Align the slits with the tabs and install the left shroud.
2. Install the bolts and washers. Tighten the bolts.
3. Install the clips.
4. Attach the harness to the harness bands.
5. Install the left side cover. ► P. 83



Side Cover

The right and left side covers can be removed in the same manner.



Removal

1. Remove the seat. ► P. 80
2. Remove the clip. ► P. 79
3. Remove the bolt.
4. Remove the prongs from the grommets.
5. Remove the side cover.

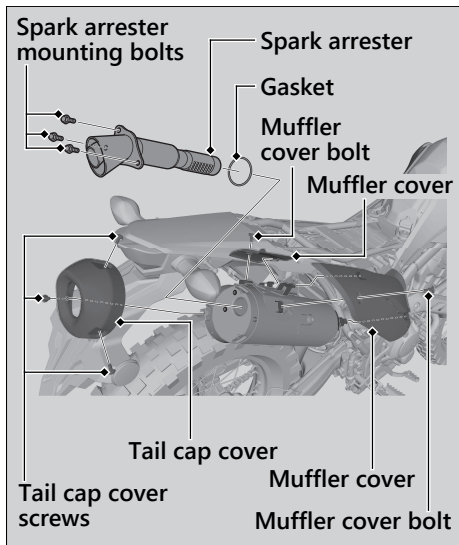
Installation

Install the parts in the reverse order of removal.

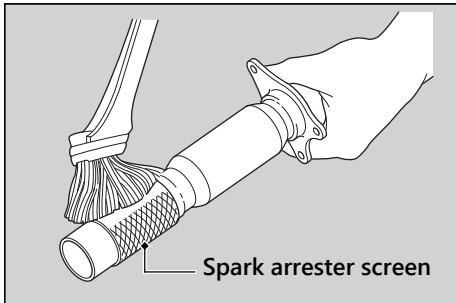
Cleaning the Spark Arrester

Regular servicing prevents carbon buildup (which can diminish engine performance) and also complies with USDA regulations for regular maintenance to assure proper function. The spark arrester prevents random sparks from the combustion process in your engine from reaching the environment.

1. Allow the engine and muffler to cool.
2. Remove the right side cover. ➤ P. 83
3. Remove the muffler cover bolts and muffler covers from the muffler.
4. Remove the tail cap cover screws and tail cap cover from the muffler.



5. Remove the spark arrester mounting bolts, spark arrester and gasket from the muffler.
6. Use a brush to remove carbon deposits from the spark arrester screen. Be careful to avoid damaging the spark arrester screen. The spark arrester must be free of breaks and holes. Replace, if necessary. Check the gasket. Replace, if necessary.



7. Install the gasket and the spark arrester, and tighten the spark arrester mounting bolts.

Torque: 6.6 lbf·ft (9.0 N·m, 0.9 kgf·m)

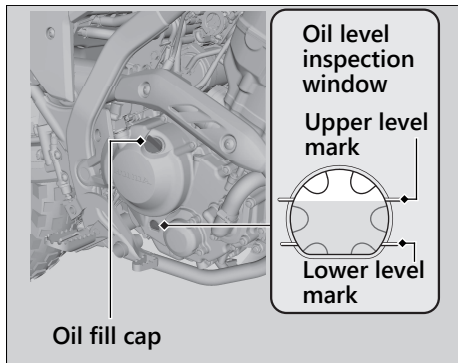
8. Install the tail cap cover and tighten the tail cap cover screws.

Torque: 3.9 lbf·ft (5.25 N·m, 0.5 kgf·m)

9. Install the muffler covers and tighten the muffler cover bolts.
10. Install the right side cover.

Checking the Engine Oil

1. If the engine is cold, idle the engine for 3 to 5 minutes.
2. Turn the ignition switch to the OFF position and wait for 2 to 3 minutes.
3. Place your vehicle in an upright position on a firm, level surface.
4. Check that the oil level is between the upper level and lower level marks on the oil level inspection window.



Adding Engine Oil

If the engine oil is below or near the lower level mark, add the recommended engine oil.

► P. 71, ► P. 143

1. Remove the oil fill cap. Add the recommended oil until it reaches the upper level mark.
 - Place your vehicle in an upright position on a firm, level surface when checking the oil level.
 - Do not overfill above the upper level mark.
 - Make sure no foreign objects enter the oil filler opening.
 - Wipe up any spills immediately.
2. Securely reinstall the oil fill cap.

NOTICE

Overfilling with oil or operating with insufficient oil can cause damage to your engine. Do not mix different brands and grades of oil. They may affect lubrication and clutch operation.

For the recommended oil and oil selection guidelines, see "Maintenance Fundamentals."

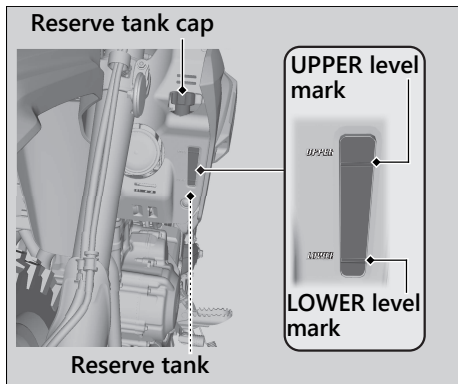
► P. 71

Checking the Coolant

Check the coolant level in the reserve tank while the engine is cold.

1. Place your vehicle on a firm, level surface.
2. Hold your vehicle in an upright position.
3. Check that the coolant level is between the UPPER level and LOWER level marks on the reserve tank.

If the coolant level is dropping noticeably or the reserve tank is empty, you likely have a serious leak. Have your vehicle inspected by your dealer.



Adding Coolant

If the coolant level is below the LOWER level mark, add the recommended coolant (► P. 74) until the level reaches the UPPER level mark.

Add fluid only from the reserve tank cap and do not remove the radiator cap.

1. Remove the reserve tank cap and add fluid while monitoring the coolant level.
 - Do not overfill above the UPPER level mark.
 - Make sure no foreign objects enter the reserve tank opening.
2. Securely reinstall the reserve tank cap.

WARNING

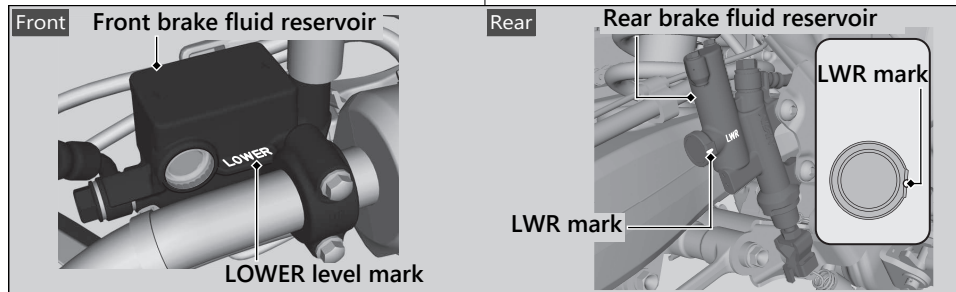
Removing the radiator cap while the engine is hot can cause the coolant to spray out, potentially scalding you.

Always let the engine and radiator cool down before removing the radiator cap.

Checking Brake Fluid

1. Place your vehicle in an upright position on a firm, level surface.
2. **Front** Check that the brake fluid reservoir is horizontal and that the fluid level is above the LOWER level mark.
Rear Check that the brake fluid reservoir is horizontal and that the fluid level is above the LWR mark.

If the brake fluid level in either reservoir is below the LOWER level mark/LWR mark or the brake lever and pedal freeplay becomes excessive, inspect the brake pads for wear. If the brake pads are not worn, you most likely have a leak. Have your vehicle inspected by your dealer.



Inspecting the Brake Pads

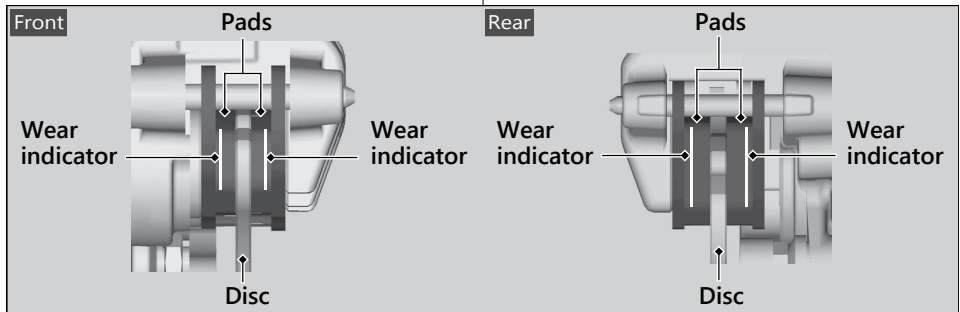
Check the condition of the brake pad wear indicators.

The pads need to be replaced if a brake pad is worn to the indicator.

1. **Front** Inspect the brake pads from below the brake caliper.
2. **Rear** Inspect the brake pads from the rear right of the vehicle.

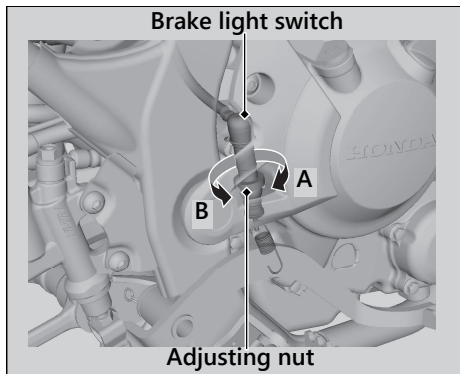
If necessary, have the pads replaced by your dealer.

Always replace both left and right brake pads at the same time.

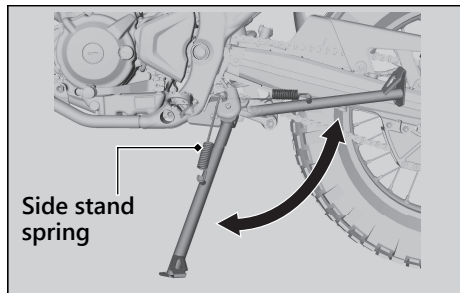


Adjusting the Brake Light Switch

Check the operation of the brake light switch. Hold the brake light switch and turn the adjusting nut in the direction A if the switch operates too late, or turn the nut in the direction B if the switch operates too soon.



Checking the Side Stand



1. Check that the side stand operates smoothly. If the side stand is stiff or squeaky, clean the pivot area and lubricate the pivot bolt with clean grease.
2. Check the spring for damage or loss of tension.
3. Sit on the vehicle, shift the transmission to Neutral, and raise the side stand.
4. Start the engine, pull the clutch lever in, and shift the transmission into gear.
5. Lower the side stand all the way. The engine should stop as you lower the side stand. If the engine doesn't stop, have your vehicle inspected by your dealer.

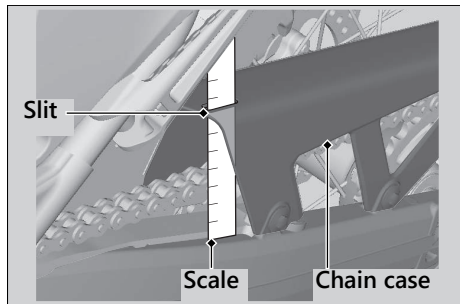
Inspecting the Drive Chain Slack

Check the drive chain slack at several points along the chain. If the slack is not constant at all points, some links may be kinked and binding.

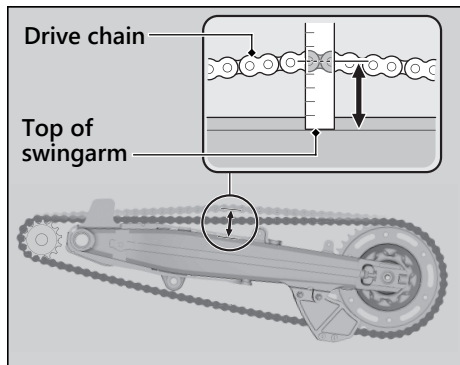
Have the chain inspected by your dealer.

1. Shift the transmission to Neutral. Stop the engine.
2. Place your vehicle on its side stand on a firm, level surface.

3. Insert a scale through the slit on the chain case.



- Pull up the drive chain and check the slack between the top of the swingarm and the drive chain by the scale.



Drive chain slack:

Except CRF300LDA

2 - 2 1/4 in (50 - 55 mm)

CRF300LDA

1 7/8 - 2 in (45 - 50 mm)

► **Except CRF300LDA**

Do not ride your vehicle if the slack exceeds 2 1/4 in (57 mm).

CRF300LDA

Do not ride your vehicle if the slack exceeds 2 1/16 in (52 mm).

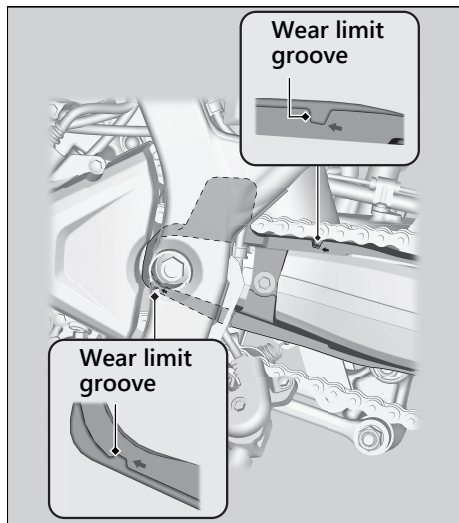
- Roll the vehicle forward and check that the chain moves smoothly.
- Inspect the sprockets. ➤ P. 73
- Clean and lubricate the drive chain. ➤ P. 73

Checking the Drive Chain Slider

Check the condition of the drive chain slider.

The drive chain slider will need to be replaced if the chain slider is worn to the bottom of wear limit groove.

If necessary, have the drive chain slider replaced by your dealer.



Wheels Rims & Spokes

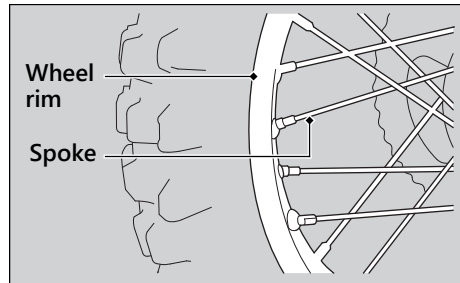
Keeping the wheels true (round) and maintaining correct spoke tension is critical to safe vehicle operation.

Excessively loose spokes may result in instability at high speeds and possible loss of control.

It is not necessary to remove the wheels to perform the recommended service in the Maintenance Schedule.

1. Inspect the wheel rims and spokes for damage.
2. Tighten any loose spokes.

3. Rotate the wheel slowly to see if it appears to “wobble.” If it does, the rim is out of round or not “true.” If the wobble is noticeable, see your dealer for inspection.



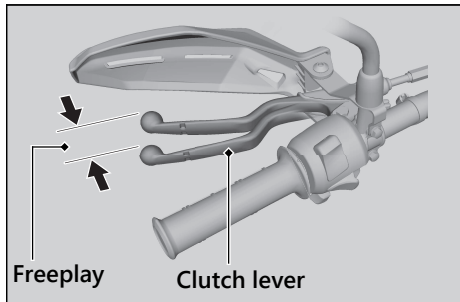
Checking the Clutch

Checking the Clutch Lever Freeplay

Check the clutch lever freeplay.

Freeplay at the clutch lever:

$3/8 - 13/16$ in (10 - 20 mm)



Check the clutch cable for kinks or signs of wear. If necessary, have it replaced by your dealer.

Lubricate the clutch cable with a commercially available cable lubricant to prevent premature wear and corrosion.

NOTICE

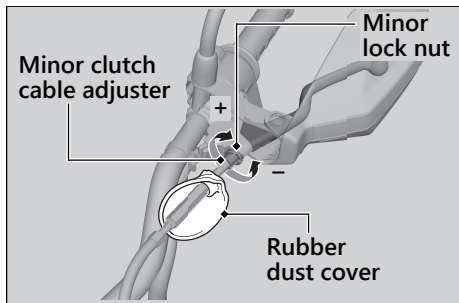
Improper freeplay adjustment can cause premature clutch wear.

Adjusting the Clutch Lever Freeplay

Minor Adjustment

Attempt adjustment with the minor clutch cable adjuster first.

1. Pull back the rubber dust cover.
2. Loosen the minor lock nut.
3. Turn the minor clutch cable adjuster until the freeplay is $\frac{3}{8}$ - $\frac{13}{16}$ in (10 - 20 mm).
4. Tighten the minor lock nut and check the freeplay again.
5. Install the rubber dust cover.

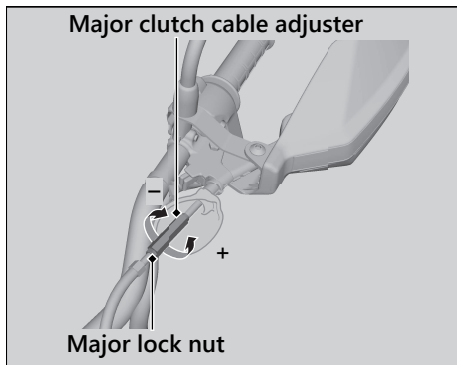


Major Adjustment

If the minor clutch cable adjuster is threaded out near its limit, or the correct freeplay cannot be obtained, attempt adjustment with the major clutch cable adjuster.

1. Pull back the rubber dust cover. Loosen the minor lock nut and turn the minor clutch cable adjuster all the way in to provide maximum freeplay. Tighten the minor lock nut. Install the rubber dust cover.
2. Loosen the major lock nut.
3. Turn the major clutch cable adjuster until the clutch lever freeplay is $\frac{3}{8}$ - $\frac{13}{16}$ in (10 - 20 mm).
4. Tighten the major lock nut and check the clutch lever freeplay.
5. Start the engine, pull the clutch lever in, and shift into gear. Make sure the engine does not stall and the vehicle does not

creep. Gradually release the clutch lever and open the throttle. Your vehicle should move smoothly and accelerate gradually.



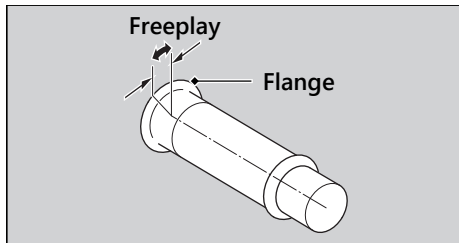
If proper adjustment cannot be obtained or the clutch does not work correctly, see your dealer.

Checking the Throttle

With the engine off, check that the throttle rotates smoothly from fully closed to fully open in all steering positions and throttle freeplay is correct. If the throttle does not move smoothly or close automatically, or if the cable is damaged, have the vehicle inspected by your dealer.

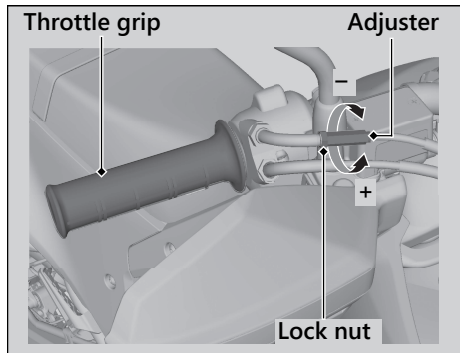
Freeplay at the throttle grip flange:

1/16 - 1/4 in (2 - 6 mm)



Adjusting the Throttle Freeplay

1. Loosen the lock nut.
2. Turn the adjuster until the freeplay is 1/16 - 1/4 in (2 - 6 mm).
3. Tighten the lock nut and inspect the throttle action again.



Troubleshooting

Engine Will Not Start	P. 103
Overheating (High coolant temperature indicator is on)	P. 104
Warning Indicators On or Flashing	P. 105
PGM-FI (Programmed Fuel Injection)	
Malfunction Indicator Lamp (MIL).....	P. 105
ABS (Anti-lock Brake System) Indicator	P. 105
Other Warning Indications	P. 106
Fuel Gauge Failure Indication.....	P. 106
Tire Puncture	P. 107
Electrical Trouble	P. 108
Battery Goes Dead.....	P. 108
Burned-out Light Bulb	P. 109
Blown Fuse.....	P. 113

Unstable Engine Operation Occurs Intermittently	P. 116
--	--------


Starter Motor Operates But Engine Does Not Start

Check the following items:

- Check the correct engine starting sequence. ➔ P. 50
- Check that there is gasoline in the fuel tank.
- Check if the PGM-FI malfunction indicator lamp (MIL) is on.
 - ▶ If the indicator lamp is on, contact your dealer as soon as possible.

Starter Motor Does Not Operate

Check the following items:

- Check the correct engine starting sequence. ➔ P. 50
- Make sure engine stop switch is in the  (Run) position. ➔ P. 47
- Check for a blown fuse. ➔ P. 113
- Check for a loose battery connection (➔ P. 78) or battery terminal corrosion (➔ P. 68).
- Check the condition of the battery.
 - ➔ P. 108

If the problem continues, have your vehicle inspected by your dealer.

Overheating (High coolant temperature indicator is on)

The engine is overheating when the following occurs:

- High coolant temperature indicator comes on.
- Acceleration becomes sluggish.

If this occurs, pull safely to the side of the road and perform the following procedure. Extended fast idling may cause the high coolant temperature indicator to come on.

NOTICE

Continuing to ride with an overheated engine can cause serious damage to the engine.

1. Stop the engine using the ignition switch, and then turn the ignition switch to the ON position.
2. Check that the radiator fan is operating, and then turn the ignition switch to the OFF position.

If the fan is not operating:

Suspect a fault. Do not start the engine. Transport your vehicle to your dealer.

If the fan is operating:

Allow the engine to cool with the ignition switch in the OFF position.

3. After the engine has cooled, inspect the radiator hose and check if there is a leak.

➔ P. 88

If there is a leak:

Do not start the engine. Transport your vehicle to your dealer.

4. Check the coolant level in the reserve tank. ➔ P. 88
 - ▶ Add coolant as necessary.
5. If 1-4 check normal, you may continue riding, but closely monitor the high coolant temperature indicator.

PGM-FI (Programmed Fuel Injection) Malfunction Indicator Lamp (MIL)

If the indicator comes on while riding, you may have a serious problem with the PGM-FI system. Reduce speed and have your vehicle inspected by your dealer as soon as possible.

ABS (Anti-lock Brake System) Indicator

CRF300LA/LDA/LRA

If the indicator operates in one of the following ways, you may have a serious problem with the ABS. Reduce your speed and have your vehicle inspected by your dealer as soon as possible.

- Indicator comes on or starts flashing while riding.
- Indicator does not come on when the ignition switch is in the ON position.
- Indicator does not go off at speeds above 6 mph (10 km/h).

If the ABS indicator stays on, your brakes will continue to work as a conventional system, but without the anti-locking function.

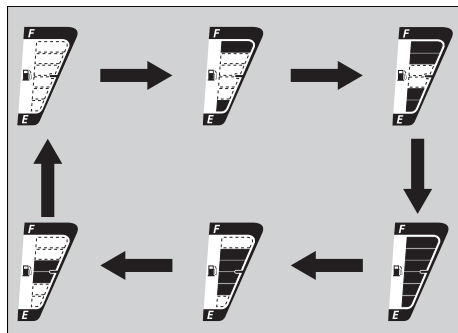
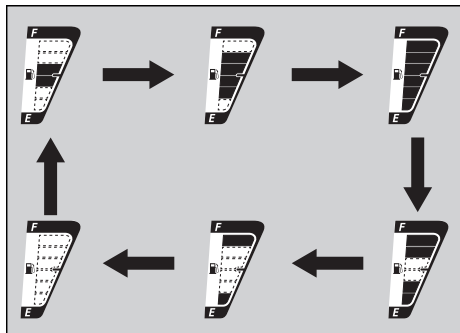
The ABS indicator may flash if you turn the rear wheel while the rear wheel is lifted off the ground. In this case, turn the ignition switch to the OFF position, and then to the ON position again. The ABS indicator will go off after your speed reaches 19 mph (30 km/h).

Other Warning Indications

Fuel Gauge Failure Indication

If the fuel system has an error, the fuel gauge indicators will be displayed as shown in the illustration.

If this occurs, see your dealer as soon as possible.



Tire Puncture

Repairing a puncture or removing a wheel requires special tools and technical expertise. We recommend you have this type of service performed by your dealer.

After an emergency repair, always have the tire inspected/replaced by your dealer.

Tube Repair and Replacement

If a tube is punctured or damaged, you should replace it as soon as possible. A tube that is repaired may not have the same reliability as a new one, and it may fail while you are riding.

If you need to make a temporary repair by patching a tube or using an aerosol sealant, ride cautiously at reduced speed and have the tube replaced before you ride again.

Anytime a tube is replaced, the tire should be carefully inspected as described.

⚠ WARNING

Riding your vehicle with a temporary tire or tube repair can be risky. If the temporary repair fails, you can crash and be seriously injured or killed.

If you must ride with a temporary tire or tube repair, ride slowly and carefully and do not exceed 30 mph (50 km/h) until the tire or tube is replaced.

Battery Goes Dead

Charge the battery using a motorcycle battery charger.

Remove the battery from the vehicle before charging.

Do not use an automobile-type battery charger, as these can overheat a motorcycle battery and cause permanent damage. If the battery does not recover after recharging, contact your dealer.

NOTICE

Jump starting using an automobile battery can damage your vehicle's electrical system and is not recommended.

Bump starting is also not recommended.

Burned-out Light Bulb

Follow the procedure below to replace a burned-out light bulb.

Turn the ignition switch to the OFF or LOCK position.

Allow the bulb to cool before replacing it.

Do not use bulbs other than those specified.

Check the replacement bulb for correct operation before riding.

For the light bulb wattage, see "Specifications." ► P. 144

CRF300L/LA/LDA

The license plate light uses several LEDs. If any of the LED lights do not turn on, see your dealer for servicing.

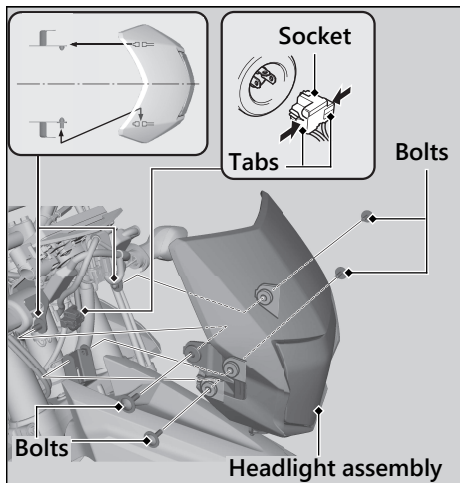
CRF300LR/LRA

The headlight and the license plate light use several LEDs. If any of the LED lights do not turn on, see your dealer for servicing.

Headlight Bulb

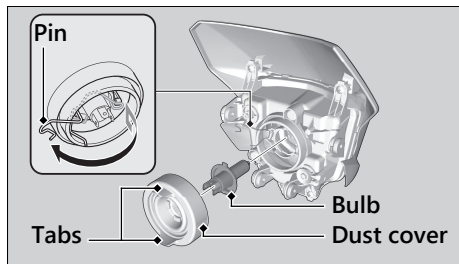
CRF300L/LA/LDA

1. Remove the bolts.
2. Remove the headlight assembly.
3. Pull off the socket while pressing the tabs.



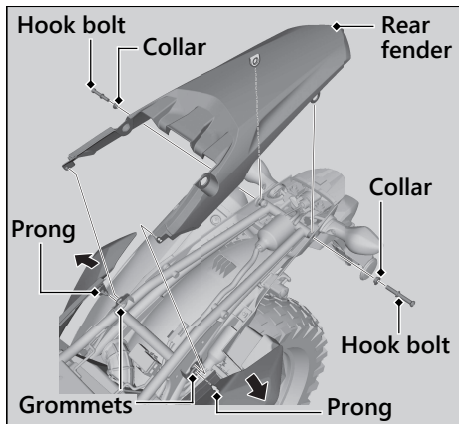
4. Remove the dust cover.
5. Press the pin down and pull out the bulb without turning it.
6. Install a new bulb and parts in the reverse order of removal.
 - ▶ Install the dust cover with its tabs positioned vertically.

Do not touch the glass surface with your fingers. If you touch the bulb with your bare hands, clean it with a cloth moistened with isopropyl (rubbing) alcohol.



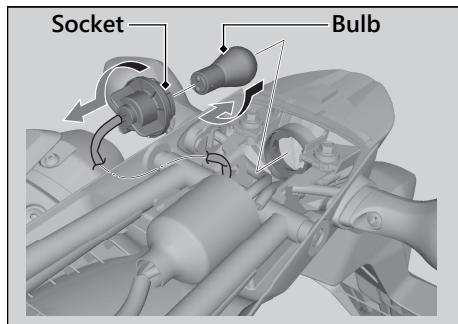
Brake light/Tailight Bulb

1. Remove the seat. ► P. 80
2. Remove the hook bolts and collars.
3. Remove the prongs from the grommets.
4. Remove the rear fender.



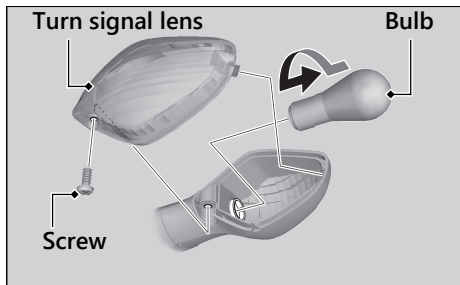
5. Turn the socket counterclockwise, and remove it.
6. Slightly press the bulb and turn it counterclockwise.
7. Install a new bulb and parts in the reverse order of removal.
8. Tighten the hook bolts.

Torque: 15 lbf-ft (21 N·m, 2.1 kgf-m)



Front/Rear Turn Signal Bulb

1. Remove the screw.
2. Remove the turn signal lens.
3. Slightly press the bulb and turn it counterclockwise.



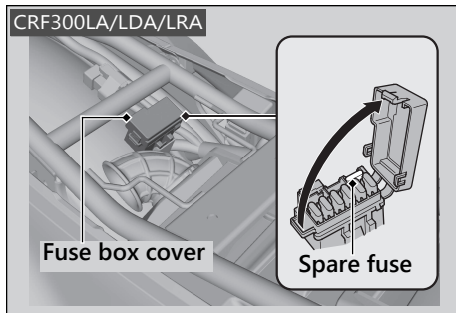
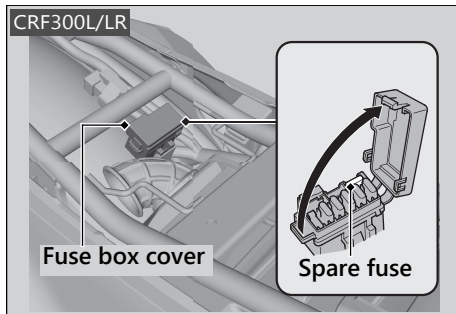
4. Install a new bulb and parts in the reverse order of removal.

Blown Fuse

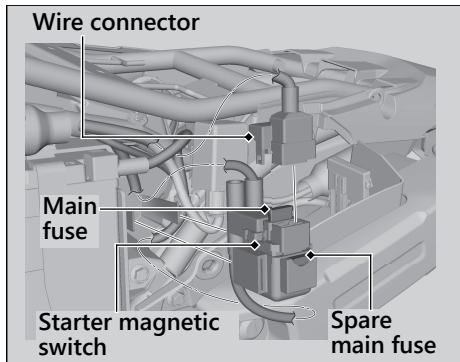
Before handling fuses, see "Inspecting and Replacing Fuses." ► P. 71

Fuse Box A

1. Remove the seat. ► P. 80
2. Open the fuse box cover.
3. Pull the fuses out with the fuse puller in the tool kit one by one check for a blown fuse. Always replace a blown fuse with a spare of the same rating.
4. Close the fuse box cover.
5. Install the seat.



Main Fuse



1. Remove the left side cover. ► P. 83
2. Pull the starter magnetic switch out.
3. Disconnect the wire connector of the starter magnetic switch.
4. Pull the main fuse out and check for a blown fuse.

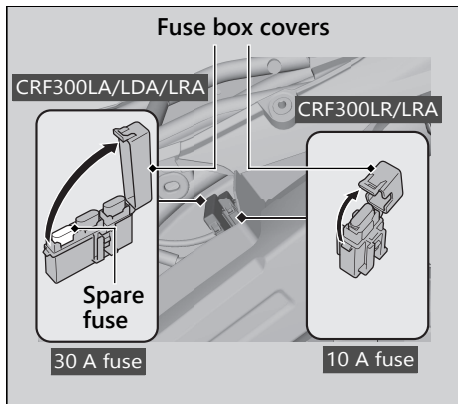
Always replace a blown fuse with a spare fuse of the same rating.

► The spare main fuse is provided in the starter magnetic switch.

5. Reinstall parts in the reverse order of removal.

Fuse Box B

CRF300LA/LDA/LR/LRA



1. Remove the left side cover. ► P. 83
2. **CRF300LA/LDA/LR**
Open the fuse box cover.
CRF300LRA
Open the fuse box covers.
3. Pull the fuses out with the fuse puller in the tool kit one by one check for a blown fuse. Always replace a blown fuse with a spare fuse of the same rating.
► **CRF300LR/LRA**
The spare fuse for the 10 A fuse is in the fuse box A. ► P. 113
4. **CRF300LA/LDA/LR**
Close the fuse box cover.
CRF300LRA
Close the fuse box covers.
5. Reinstall parts in the reverse order of removal.

NOTICE

If a fuse fails repeatedly, you likely have an electrical problem. Have your vehicle inspected by your dealer.

Unstable Engine Operation Occurs Intermittently

If the fuel pump filter is clogged, unstable engine operation will occur intermittently while riding.

Even if this symptom occurs, you can continue to ride your vehicle.

If unstable engine operation occurs even if sufficient fuel is available, have your vehicle inspected by your dealer as soon as possible.

Information

Keys.....	P. 118
Instruments, Controls, & Other Features...	P. 119
Caring for Your Vehicle.....	P. 120
Storing Your Vehicle.....	P. 124
Transporting Your Vehicle	P. 125
You & the Environment	P. 126
Vehicle Identification Number.....	P. 127
Emission Control Systems	P. 128
Catalytic Converter	P. 132
Oxygenated Fuels.....	P. 133
Authorized Manuals	P. 134
Warranty Coverage and Service	P. 135
Honda Contacts.....	P. 138
Reporting Safety Defects	P. 140

Keys

Ignition Key

Be sure to record the key number provided with the key number plate. Store the spare key and key number in a safe location.

To make a duplicate, take the spare key or the key number to your dealer.

If you lose all ignition keys and the key number, the ignition switch assembly will probably have to be removed by your dealer to determine the key number.

A metal key holder may cause damage to the area surrounding the ignition switch.

Instruments, Controls, & Other Features

Ignition Switch

Leaving the ignition switch in the ON position with the engine stopped will drain the battery.

Do not turn the key while riding.

Engine Stop Switch

Do not use the engine stop switch except in an emergency. Doing so when riding will cause the engine to suddenly turn off, making riding unsafe.

If you stop the engine using the engine stop switch, turn the ignition switch to the OFF position. Failing to do so will drain the battery.

Odometer

The display remains at 999,999 when the odometer exceeds 999,999.

Tripmeter

Each tripmeter resets to 0.0 when the trip mileage exceeds 9,999.9.

Document Bag

The owner's manual, registration, and insurance information can be stored in the plastic document bag located in the tool box.

Ignition Cut-off System

A banking (lean angle) sensor automatically stops the engine and fuel pump if the vehicle falls over. To reset the sensor, you must turn the ignition switch to the OFF position and back to the ON position before the engine can be restarted.

Assist-slipper Clutch System

The assist-slipper clutch system helps to prevent the rear tire from locking up when the deceleration of your vehicle produces a strong engine braking effect. It also makes the clutch lever operation feel lighter.

Use only MA classification engine oil for your vehicle. Using engine oil other than MA classification oil could result in damage to the assist-slipper clutch system.

Caring for Your Vehicle

Frequent cleaning and polishing is important to ensure the life of your Honda. A clean vehicle makes it easier to spot potential problems. In particular, seawater and salts used to prevent ice on roads promote the formation of corrosion. Also, mud and dust may accelerate front fork wear and cause oil leaks. Always wash your vehicle thoroughly after riding on coastal, treated roads, muddy or dusty roads.

Washing

Allow the engine, muffler, brakes, and other high-temperature parts to cool before washing.

1. Rinse your vehicle thoroughly using a low pressure garden hose to remove loose dirt.
2. If necessary, use a sponge or a soft towel with mild cleaner to remove road grime.
 - ▶ Clean the headlight lens, panels, and other plastic components with extra care to avoid scratching them.

Avoid directing water into the air cleaner, muffler, and electrical parts.

3. Thoroughly rinse your vehicle with plenty of clean water and dry with a soft, clean cloth.
4. After the vehicle dries, lubricate any moving parts.
 - ▶ Make sure that no lubricant spills onto the brakes or tires. Brake discs, pads, drum or shoes contaminated with oil will suffer greatly reduced braking effectiveness and can lead to a crash.
5. Lubricate the drive chain immediately after washing and drying the vehicle.
6. Apply a coat of wax to prevent corrosion.
 - ▶ Avoid products that contain harsh detergents or chemical solvents. These can damage the metal, paint, and plastic on your vehicle.
Keep the wax clear of the tires and brakes.
 - ▶ If your vehicle has any matte painted parts, do not apply a coat of wax to the matte painted surface.

Washing Precautions

Follow these guidelines when washing:

- Do not use high-pressure washers:
 - ▶ High-pressure water cleaners can damage moving parts and electrical parts, rendering them inoperable.
 - ▶ Water in the air intake can be drawn into the throttle body and/or enter the air cleaner.
- Do not direct water at the muffler:
 - ▶ Water in the muffler can prevent starting and causes rust in the muffler.
- Dry the brakes:
 - ▶ Water adversely affects braking effectiveness. After washing, apply the brakes intermittently at low speed to help dry them.
- Do not direct water at the tool box:
 - ▶ Water in the tool box can damage your documents and other belongings.
- Do not direct water at the air cleaner:
 - ▶ Water in the air cleaner can prevent the engine from starting.

Caring for Your Vehicle

- Do not direct water near the headlight:

CRF300L/LA/LDA

- ▶ The headlight's inside lens may fog temporarily after washing or while riding in the rain. This does not impact the headlight function.
- ▶ Any condensation inside the headlight should dissipate after a few minutes of running the engine with the headlight(s) on.

However, if you see a large amount of water or ice accumulated inside the lens(es), have your vehicle inspected by your dealer.

CRF300LR/LRA

- ▶ The headlight's inside lens may fog temporarily after washing or while riding in the rain. This does not impact the headlight function.

However, if you see a large amount of water or ice accumulated inside the lens(es), have your vehicle inspected by your dealer.

- Do not use wax or polishing compounds on matte painted surfaces:

- ▶ Use a soft cloth or sponge, plenty of water, and a mild detergent to clean matte painted surfaces. Dry with a soft clean cloth.

Aluminum Components

Aluminum will corrode from contact with dirt, mud, or road salt. Clean aluminum parts regularly and follow these guidelines to avoid scratches:

- Do not use stiff brushes, steel wool, or cleaners containing abrasives.
- Avoid riding over or scraping against curbs.

Panels

Follow these guidelines to prevent scratches and blemishes:

- Wash gently using a soft sponge and plenty of water.
- To remove stubborn stains, use diluted detergent and rinse thoroughly with plenty of water.
- Avoid getting gasoline, brake fluid, or detergents on the instruments, panels, or headlight.

Windscreen

CRF300LR/LRA

Using plenty of water, clean the windscreen with a soft cloth or sponge. (Avoid using detergents or any kind of chemical cleaner on the windscreen.) Dry with a soft, clean cloth.

NOTICE

To avoid possible scratching or other damage, use only water and a soft cloth or sponge to clean the windscreen.

For a dirtier windscreen, use a diluted neutral detergent with a sponge and plenty of water. Make sure to wash off all the detergent. (Detergent residue may cause windscreen cracks.)

Replace the windscreen if scratches cannot be removed and they obstruct clear vision. Take care to keep battery electrolyte, brake fluid, or other chemical solvents off the windscreen and screen garnish. They will damage the plastic.

Exhaust Pipe and Muffler

If the exhaust pipe and muffler are painted, do not use a commercially available abrasive kitchen cleaning compound. Use a neutral detergent to clean the painted surface on the exhaust pipe and muffler. If you are not sure if your exhaust pipe and muffler are painted, contact your dealer.

Front Fork

Mud and dust may accelerate wear on the front forks and cause oil leaks.

To avoid scratching, please handle the forks with the following care.

- Wash gently using a soft sponge and plenty of water.
- To remove stubborn stains, use diluted detergent and rinse thoroughly with plenty of water.

Storing Your Vehicle

If you store your vehicle outdoors, you should consider using a full-body cover.

If you won't be riding for an extended period, follow these guidelines:

- Wash your vehicle and wax all painted surfaces (except matte painted surfaces). Coat chrome pieces with rust-inhibiting oil.
- Lubricate the drive chain. ➤ P. 73
- Place your vehicle on a maintenance stand and position a block so that both tires are off the ground.
- After rain, remove the body cover and allow the vehicle to dry.
- Remove the battery (➤ P. 78) to prevent discharge. Fully charge the battery and then place it in a shaded, well-ventilated area.
 - ▶ If you leave the battery in place, disconnect the negative ⊖ terminal to prevent discharge.

After removing your vehicle from storage, inspect all maintenance items required by the Maintenance Schedule.

USA For more information about storage, refer to the *Honda Winter Storage Guide*, available from your dealer.

Canada For more information about storage, visit our website at www.honda.ca and look up “Storage Tips” under the “Honda Warranty” in the Warranty tab for your Model.

Transporting Your Vehicle

If your vehicle needs to be transported, it should be carried on a motorcycle trailer or a flatbed truck or trailer that has a loading ramp or lifting platform and motorcycle tie-down straps. Never try to tow your vehicle with a wheel or wheels on the ground.

NOTICE

Towing your vehicle with a wheel or wheels on the ground can cause serious damage to the transmission.

You & the Environment

Owning and riding a vehicle can be enjoyable, but you must do your part to protect the environment.

Choose Sensible Cleaners

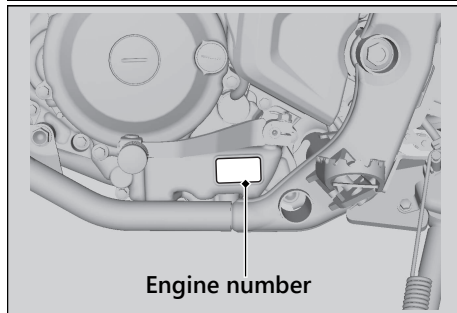
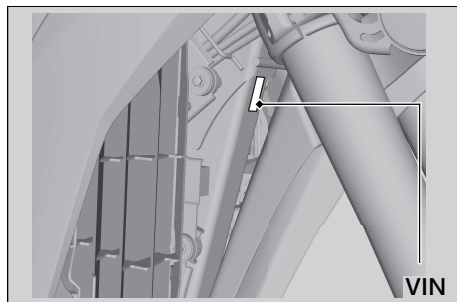
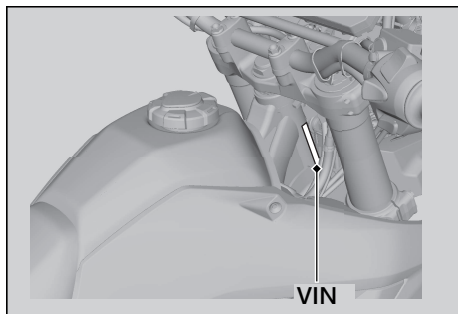
Use a biodegradable detergent when you wash your vehicle. Avoid aerosol spray cleaners that contain chlorofluorocarbons (CFCs) which damage the atmosphere's protective ozone layer.

Recycle Wastes

Put oil and other toxic wastes in approved containers and take them to a recycling center. Call your local or state office of public works or environmental services to find a recycling center in your area and to get instructions on how to dispose of non-recyclable wastes. Do not place used engine oil in the trash or pour it down a drain or on the ground. Used oil, gasoline, coolant, and cleaning solvents contain poisons that can hurt refuse workers and contaminate drinking water, lakes, rivers, and oceans.

Vehicle Identification Number

The VIN and engine serial number uniquely identify your vehicle and are required in order to register your vehicle. They may also be required when ordering replacement parts. You should record these numbers and keep them in a safe place.



Emission Control Systems

Your vehicle engine emits combustion byproducts, including carbon monoxide (CO), oxides of nitrogen (NOx), and hydrocarbons (HC). Gasoline evaporation also emits hydrocarbons. Controlling the production of NOx, CO, and HC is important for the environment.

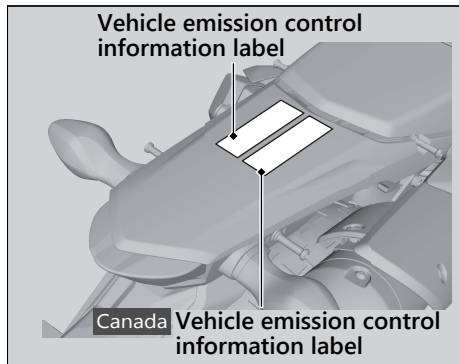
Exhaust Emission Requirements

The U.S. Environmental Protection Agency (EPA), the California Air Resources Board (CARB), and Environment and Climate Change Canada (ECCC) require that your vehicle comply with applicable exhaust, crankcase, and fuel permeation emission standards during its useful life, when operated and maintained according to the instructions provided.

CARB also requires that your vehicle comply with applicable evaporative emission requirements during its useful life, when

operated and maintained according to the instructions provided.

USA Compliance with the terms of the Distributor's Warranties for Honda Motorcycle Emission Control Systems is necessary in order to maintain a valid emissions system warranty. The Vehicle Emission Control Information label is attached to the rear fender.



Noise Emission Requirements

The EPA requires that vehicles built after January 1, 1983 comply with applicable noise emission standards for one year or 3,730 miles (6,000 km) after the time of purchase when operated and maintained according to the instructions provided.

Exhaust Emission Control System

The exhaust emission control system includes the following components that should not need adjustment, although periodic inspection by your dealer is recommended.

PGM-FI System

The PGM-FI (programmed fuel injection) system uses sequential multiport fuel injection, and is comprised of air intake, engine control, fuel control, and exhaust control subsystems. The engine control module (ECM) uses sensors to determine how much air enters the engine, and then controls how much fuel to inject.

Ignition Timing Control System

The ignition timing control system adjusts the ignition timing to reduce the amount of HC, CO, and NO_x produced.

Secondary Air Injection System

The secondary air injection system adds filtered air into the exhaust gas to help improve emission control performance.

Catalytic Converters

The exhaust system contains one or more catalytic converters. Catalytic converters use a catalyst to convert most of the harmful exhaust gas compounds into harmless compounds.

Evaporative Emission Control System

50 STATE (meets California)

An evaporative emissions control system uses a canister filled with charcoal to adsorb fuel vapor from the fuel tank while the engine is off. The vapor is drawn into the engine and burned while riding.

Crankcase Emissions Control System

The engine is equipped with a closed crankcase system to prevent discharging crankcase emissions into the atmosphere.

Blow-by gas is returned to the combustion chamber through the air cleaner and throttle body.

Fuel Permeation Emission Control

The fuel tank, fuel hoses, and fuel vapor charge hoses use fuel permeation control technologies to prevent fuel vapor emissions. Tampering with these components to reduce or defeat the

effectiveness of the fuel permeation technologies is prohibited.

Noise Emission Control System

TAMPERING WITH THE NOISE CONTROL SYSTEM IS PROHIBITED:

U. S. federal law prohibits, and Canadian provincial laws may prohibit, the following acts or the causing thereof: (1) The removal or rendering inoperative by any person, other than for purposes of maintenance, repair or replacement, of any device or element of design incorporated into any new vehicle for the purpose of noise control prior to its sale or delivery to the ultimate purchaser or while it is in use; or (2) the use of the vehicle after such device or element of design has been removed or rendered inoperative by any person.

AMONG THOSE ACTS PRESUMED TO CONSTITUTE TAMPERING ARE THE FOLLOWING ACTS:

- Removal of, or puncturing the muffler, baffles, header pipes or any other component which conducts exhaust gases.
- Removal of, or puncturing of any part of the intake system.
- Lack of proper maintenance.
- Removing or disabling any emissions compliance component, or replacing any compliance component with a noncompliant component.

Problems Affecting Vehicle Exhaust Emissions

Have your vehicle inspected and repaired by your dealer if you experience any of the following symptoms:

- Hard starting or stalling after starting
- Rough idling
- Misfiring or backfiring during acceleration
- Poor engine performance and poor fuel economy

Catalytic Converter

This vehicle is equipped with a three-way catalytic converter. The catalytic converter contains precious metals that serve as catalysts in high temperature chemical reactions that convert hydrocarbons (HC), carbon monoxide (CO), and oxides of nitrogen (NOx) in the exhaust gases into safe compounds.

A defective catalytic converter contributes to air pollution and can impair your engine's performance. A replacement unit must be an original Honda part or equivalent.

Follow these guidelines to protect your vehicle's catalytic converter:

- Always use unleaded gasoline. Leaded gasoline will damage the catalytic converter.
- Keep the engine in good running condition. A poorly running engine can cause the catalytic converter to overheat, causing damage to the converter or the vehicle.
- If your engine is misfiring, backfiring, stalling, or otherwise not running properly, stop riding and turn off the engine. Have your vehicle serviced as soon as possible.

Oxygenated Fuels

Some conventional fuels blended with alcohol or an ether compound are available in some locales to help reduce emissions to meet clean air standards. These gasolines are collectively referred to as oxygenated fuels. If you plan to use oxygenated fuel, check that it is unleaded and meets the minimum octane rating and blend requirement.

The following fuel blends have been approved for use in your vehicle:

- Ethanol (ethyl alcohol) up to 10% by volume.
 - ▶ Gasoline containing ethanol may be marketed under the name Gasohol.
- Do not use gasoline containing methanol (methyl alcohol).

If you accidentally fill your fuel tank with an oxygenated fuel containing higher percentages, you may experience performance problems. To resolve the problem, have your dealer drain the fuel tank and replace with the correct fuel. Fuel system or performance problems resulting from the use of an oxygenated fuel containing higher percentages are not covered by your warranty.

NOTICE

Improper use of oxygenated fuels can damage metal, rubber, and plastic parts of your fuel system.

Oxygenated fuel can also damage paint.

Damage caused by spilled fuel is not covered by warranty.

If you notice any undesirable operating symptoms or performance problems, try a different brand of gasoline.

Authorized Manuals

USA The Service Manual used by your authorized dealer is available from your Honda dealer or Helm, Inc.

Canada See your dealer to order authorized manuals.

Also available, but not necessary to service your model, is the Honda Common Service Manual, which explains basic service information for various systems on Honda motorcycles, scooters, ATV, and SxS.

USA The Winter Storage Guide in conjunction with the Owner's Manual and Service Manual can help you prepare your Honda motorcycle, scooter, ATV, and SxS for winter storage.

These Honda manuals are written for the professional technician. However, if you possess the proper tools, observe the safety standards, and are mechanically capable, you should find them easy to use.

Special Honda tools are necessary for some procedures.

USA

Order online: www.helminc.com

Order Toll Free: 1-888-CYCLE93

(1-888-292-5393)

(NOTE: For Credit Card Orders Only)

Monday - Friday 8:00 AM - 6:00 PM ET

Description
2024 CRF300L/CRF300 Rally Service Manual
Common Service Manual (61CSM00)
USA Winter Storage Guide (S9507)
2024 CRF300L/CRF300 Rally Owner's Manual

Warranty Coverage and Service

Coverage

Your new Honda is covered by the following warranties:

- Vehicle Limited Warranty
- Emission Control System Warranty
- **USA** Noise Control Warranty

The responsibilities, restrictions, and exclusions that apply to these warranties are explained in the Warranties Booklet given to you by your Honda dealer at the time of purchase. Always keep your Honda owner's card with your Warranties Booklet.

Canada Please refer to the Warranty Booklet posted on our website at www.honda.ca.

It is important to realize that your warranty applies only to defects in material or workmanship of your Honda. Your warranty coverage does not apply to the normal wear and deterioration associated with use of the vehicle.

Your warranty coverage is not voided if you perform your own maintenance. However, failures that occur due directly to improper maintenance are not covered by these warranties.

USA You can extend almost all of your warranty coverage through the HondaCare® Protection Plan. For more information, see your Honda dealer.

Statement on Warranty Coverage for Aftermarket and Recycled Parts

The Magnuson-Moss Warranty Act, 15 U.S.C. s. 2301 et seq., makes it illegal for motor vehicle manufacturers to void a motor vehicle warranty or deny warranty coverage solely because an aftermarket or recycled part has been used to repair the vehicle or someone other than the authorized service provider performed service on the vehicle. This provision does not apply to a new motor vehicle purchased solely for commercial or industrial use.

Under federal law, a manufacturer may deny warranty coverage and charge for repairs to a vehicle if it is discovered that an aftermarket or recycled part installed on the vehicle is defective or was installed incorrectly and caused damage to another part of the vehicle otherwise covered under warranty. The Federal Trade Commission requires that a manufacturer demonstrate that an aftermarket or recycled part or service performed by a person other than an

authorized service provider caused damage to another part of the vehicle otherwise covered under warranty before denying warranty coverage. Additionally, federal law allows a manufacturer to void a motor vehicle warranty or deny warranty coverage if the manufacturer provides the article or service to consumers free of charge under the warranty or the manufacturer has secured a waiver from the Federal Trade Commission.

Service

Please remember that maintenance recommended in the Maintenance Schedule is not included in your warranty coverage.

If you believe you have a problem with your vehicle, call the service department of your Honda dealer. Make an appointment for an inspection and diagnosis. You will be asked to authorize that inspection, and your dealer will return the results of the inspection. If a problem exists and is covered under warranty, your dealer will perform the warranty repairs. If you have any questions about your warranty coverage or the nature of the repair, talk to the Service Manager of your Honda dealer.

If a misunderstanding occurs and you aren't satisfied with your dealer's handling of the situation, we suggest you discuss your problem with the appropriate member of the dealership's management team. If you are still not satisfied, contact the owner of the dealership or their designated representative.

Honda Contacts

American Honda Motor Co., Inc.

If you wish to contact Honda directly to comment on your experiences with your vehicle or with your dealer, please send your comments using one of the following methods:



POST MAIL

Powersports Customer Relations
American Honda Motor Co., Inc.
4900 Marconi Drive
Alpharetta, GA 30005-8847



PHONE

Telephone: (866) 784-1870



ONLINE CUSTOMER SERVICE

Website: <https://powersports.honda.com/contact-us>

Canada

Honda Canada Inc.
Customer Relations Department,
180 Honda Boulevard
Markham, Ontario
L6C 0H9

Telephone: (888) 946-6329

Fax: (877) 939-0909

E-mail: honda_cr@ch.honda.com

Please include the following information in your letter:

- Name, address, and telephone number
- Product model, year, and VIN
- Date of purchase
- Dealer name and address

We will likely ask your Honda dealer to respond, or possibly acknowledge your comments directly.

Your Honda Dealer

The service department of your Honda dealer offers trained personnel to perform regular maintenance and unexpected repairs. It has the latest available service information from Honda and also handles warranty inspections and repairs.

The parts department offers Honda Genuine Parts, Pro Honda products, Honda Accessories (USA only), and Honda accessories and products (Canada only) that provide the same quality that went into your vehicle.

USA The sales department offers the HondaCare® Protection Plan to extend almost all of your warranty coverage.

Your Honda dealer can also supply information about riding events and information about safety training available in your local area.

Reporting Safety Defects

USA

If you believe that your vehicle has a defect which could cause a crash or could cause injury or death, you should immediately inform the National Highway Traffic Safety Administration (NHTSA) in addition to notifying American Honda Motor Co., Inc.

If NHTSA receives similar complaints, it may open an investigation, and if it finds that a safety defect exists in a group of vehicles, it may order a recall and remedy campaign. However, NHTSA cannot become involved in individual problems between you, your

dealer, or American Honda Motor Co., Inc.

To contact NHTSA, you may call the Vehicle Safety Hotline toll-free at: 1-888-327-4236 (TTY: 1-800-424-9153); go to <https://www.safercar.gov>; or write to:

Administrator, NHTSA,
1200 New Jersey Avenue, SE.,
Washington, DC 20590.

You can also obtain other information about motor vehicle safety from: <https://www.safercar.gov>.

Canada

If you believe that your vehicle has a defect which could cause a crash or could cause injury or death, you should immediately inform Honda Canada Inc. and you may also inform Transport Canada.

If Transport Canada receives similar complaints, it may open an investigation, and if it finds that a safety defect exists in a group of vehicles, it may lead to a recall and remedy campaign. However, Transport Canada cannot become involved in individual problems between you, your dealer, or Honda Canada Inc.

To contact Transport Canada's Defect Investigations and Recalls Division,

Mailing Address:
Transport Canada - ASFAD
330 Sparks Street
Ottawa, ON
K1A 0N5

Telephone: 819-994-3328 (Ottawa-Gatineau area or internationally)
Toll free: 1-800-333-0510 (in Canada)

Online:
(English Link:) www.tc.canada.ca/recalls
(French Link:) www.tc.canada.ca/rappels

For more information on reporting safety defects or about motor vehicle safety, go to
<https://www.tc.gc.ca/roadsafety>.

Specifications

■ Main Components

Overall length	Except CRF300LDA	87.8 in (2,230 mm)
	CRF300LDA	87.0 in (2,210 mm)
Overall width	CRF300L/LA	35.4 in (900 mm)
	CRF300LDA	32.3 in (820 mm)
	CRF300LR/LRA	36.2 in (920 mm)
Overall height	CRF300L/LA	47.4 in (1,205 mm)
	CRF300LDA	45.7 in (1,160 mm)
	CRF300LR/LRA	55.7 in (1,415 mm)
Wheelbase	Except CRF300LDA	57.3 in (1,455 mm)
	CRF300LDA	56.7 in (1,440 mm)
	CRF300L/LA	11.2 in (285 mm)
Minimum ground clearance	CRF300LDA	9.6 in (245 mm)
	CRF300LR/LRA	10.8 in (275 mm)
Caster angle	27.5°	
Trail	4.3 in (109 mm)	
Curb weight	CRF300L	306 lb (139 kg)
	CRF300LA/LDA	311 lb (141 kg)
	CRF300LR	331 lb (150 kg)
	CRF300LRA	335 lb (152 kg)
Maximum weight capacity *1	50 STATE (meets California)	326 lb (148 kg)
	Canada	320 lb (145 kg)

Passenger capacity	Rider and 1 passenger	
Minimum turning radius	7.2 ft (2.20 m)	
Displacement	17.4 cu-in (286 cm ³)	
Bore x stroke	2.99 x 2.48 in (76.0 x 63.0 mm)	
Compression ratio	10.7:1	
Fuel	Unleaded gasoline	
	Recommended: 86 PON or higher	
Tank capacity	CRF300L/LA/LDA	2.06 US gal (7.8 L)
	CRF300LR/LRA	3.38 US gal (12.8 L)
Battery	YTZ8V	
	12 V-7.0 Ah (10 HR)	
	1st	3.538
	2nd	2.250
	3rd	1.650
	4th	1.346
Gear ratio	5th	1.115
	6th	0.925
	Reduction ratio (primary / final)	2.807 / 2.857

*1: Including rider, passenger, all luggage, and accessories.

■ Service Data

Tire size	Front	80/100-21M/C 51P
	Rear	120/80-18M/C 62P
Tire type		Bias-ply, tube
Recommended Tire	Front	IRC GP-21F
	Rear	IRC GP-22R
Tire air pressure Up to 90 kg (200 lbs) load	Front	22 psi (150 kPa, 1.50 kgf/cm ²)
	Rear	22 psi (150 kPa, 1.50 kgf/cm ²)
Tire air pressure Up to Maximum weight capacity	Front	22 psi (150 kPa, 1.50 kgf/cm ²)
	Rear	25 psi (175 kPa, 1.75 kgf/cm ²)
Minimum tread depth	Front	0.12 in (3.0 mm)
	Rear	0.12 in (3.0 mm)
Spark plug	(standard)	SIMR8A9 (NGK)
Spark plug gap	(non-adjustable)	0.03 - 0.04 in (0.8 - 0.9 mm)
Idle speed	(non-adjustable)	1,450 ± 100 rpm
Recommended engine oil		API Service Classification SJ or higher except oils labeled as energy conserving or resource conserving on the circular API service label, SAE 10W-30, JASO T 903 standard MA, Pro Honda GN4 4-stroke oil (USA & Canada) or Honda 4-stroke oil, or an equivalent motorcycle oil

Engine oil capacity	After draining	1.43 US qt (1.35 L)
	After draining & filter change	1.53 US qt (1.45 L)
	After disassembly	1.85 US qt (1.75 L)
Recommended brake fluid	Honda DOT 3 or DOT 4 Brake Fluid	
Cooling system capacity	0.91 US qt (0.86 L)	
Recommended coolant	Pro Honda HP Coolant	
Drive chain slack	Except CRF300LDA	
	2 - 2 1/4 in (50 - 55 mm)	
	CRF300LDA	
	1 7/8 - 2 in (45 - 50 mm)	
Recommended drive chain lubricant	Pro Honda HP Chain Lube or equivalent	
Standard drive chain	DID 520VF	
	No. of links	106
Standard sprocket size	Drive sprocket	14T
	Driven sprocket	40T

Specifications

■ Bulbs

Headlight	CRF300L/LA/LDA	12 V-60 / 55 W
	CRF300LR/LRA	LED
Brake light / Taillight		12 V-21 / 5 W
Front turn signal / Position light		12 V-21 / 5 W x 2
Rear turn signal		12 V-21 W x 2
License plate light		LED

■ Fuses

Main fuse		30 A
Other fuse	CRF300L/LR	10 A
	CRF300LA/LDA/LRA	30 A, 10 A

■ Torque Specifications

Hook bolt		15 lbf-ft (21 N·m, 2.1 kgf-m)
Tail cap cover screw		3.9 lbf-ft (5.25 N·m, 0.5 kgf-m)
Spark arrester mounting bolt		6.6 lbf-ft (9.0 N·m, 0.9 kgf-m)

Information Record

VIN	
Engine No.	
Color Label & Code	
Owner's Name	
Address	
City/State	
Phone	
Dealer's Name	
Address	
City/State	
Phone	
Service Manager	

California Proposition 65 Warning

⚠️ WARNING: Operating, servicing and maintaining a passenger vehicle or off-highway motor vehicle can expose you to chemicals including engine exhaust, carbon monoxide, phthalates, and lead, which are known to the State of California to cause cancer and birth defects or other reproductive harm. To minimize exposure, avoid breathing exhaust, do not idle the engine except as necessary, service your vehicle in a well-ventilated area and wear gloves or wash your hands frequently when servicing your vehicle. For more information go to www.P65Warnings.ca.gov/passenger-vehicle.



31K1TA30
00X31-K1T-A300

© 2023 Honda Motor Co., Ltd.
All Rights Reserved

Printed in the U.S.A.