



motorola

MoCA[®] Adapter

MoCA 2.5 for
Ethernet over Coax

Model MM1025 (1-pack)

Model MM2025 (2-pack)



Quick
Start
Guide



Typically included with your MM1025



Power Adapter
(varies by country)



Coax Cable



Ethernet Cable



Wrench



Screws for
optional wall
mounting



PoE Filter

Your MoCA adapter can be wall mounted if you prefer.
See the enclosed flyer.

Let's get started

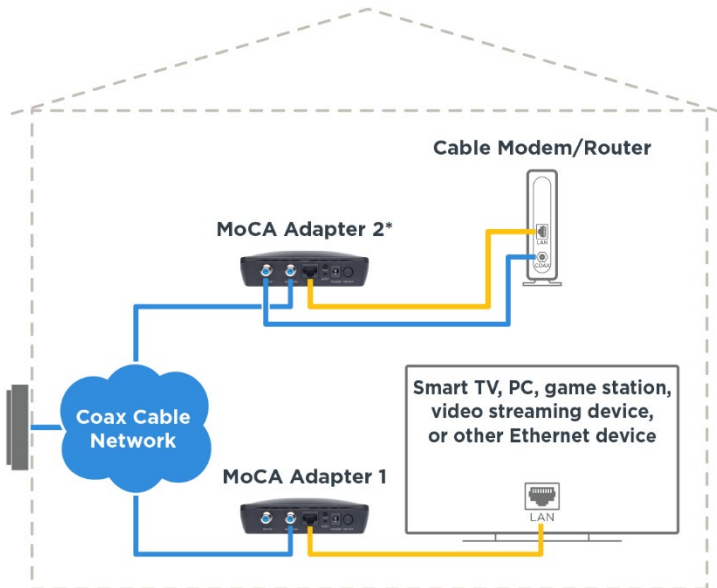
MoCA is a good way to connect a router or cable modem/router to a distant device by using your home's coaxial ("coax") cable. The device can be a computer, smart TV, video streaming device, game station, streaming media player, or other device that has an Ethernet LAN port for Internet access. If there's a coax network that runs near the router and the device, you should be able to use MoCA.

Many WiFi Mesh systems can use MoCA to connect the units together. If your Mesh system supports Ethernet backhaul, you can use MoCA to connect them together. This frees up your WiFi and results in better performance for all of your WiFi devices. If you want to learn more about using MoCA with WiFi, go to [**www.MotorolaNetwork.com/MoCAWiFi**](http://www.MotorolaNetwork.com/MoCAWiFi)

This MoCA Adapter is designed to work with most coax networks including networks associated with cable TV, cable Internet, and FiOS or another fiber optic network.

Your MoCA Adapter is NOT designed to work with DirecTV®, Dish®, and other satellite networks, or with AT&T® Internet or AT&T U-Verse®, since these services use frequencies that conflict with your MoCA Adapter.

Figure 1. MoCA connecting a cable modem/router to a device



* When MoCA is built into the router, you don't need MoCA Adapter 2.

- Coax cable
- Ethernet cable

You may not need a MoCA Adapter for your router. Here's how to check.

- If you have a Verizon® FiOS router, it probably has MoCA. The MoCA signal goes through your FiOS router's coax connector to your coax cable network.
- If you have a router for fiber optic service from another provider and it has a coax cable attached to it, it probably has MoCA.
- If you have a cable modem/router, it may have MoCA. There are a few ways to check. First, you can look at the unit to see whether it has the word MoCA on it. You can also look at the product's specifications or its browser-based configuration manager to see whether MoCA is mentioned. You can also find some but not all MoCA cable modem/routers listed at <http://www.mocalliance.org/products/index.htm> . If you have MoCA, the MoCA signal goes through your cable modem/router's coax cable into your coax cable network.
- If you have a router that's not a Verizon FiOS router, another fiber optic router, or a cable modem/router, it probably does not have MoCA.

If you do not have MoCA for your router or cable modem/router, please continue below with **Installing a MoCA Adapter for your router or cable modem/router**.

If you have or probably have MoCA for your router already, or if you're not sure, please go to **Installing a MoCA Adapter for a smart TV or other device**. If this doesn't work, then you do not have MoCA already and will need to follow the steps directly below.

Installing a MoCA Adapter for your router or cable modem/router

Read this section only if you need a MoCA Adapter for your **router**. Pages 3 and 4 describe how to check.

First go to your **router** or **modem/router** and connect as shown below.

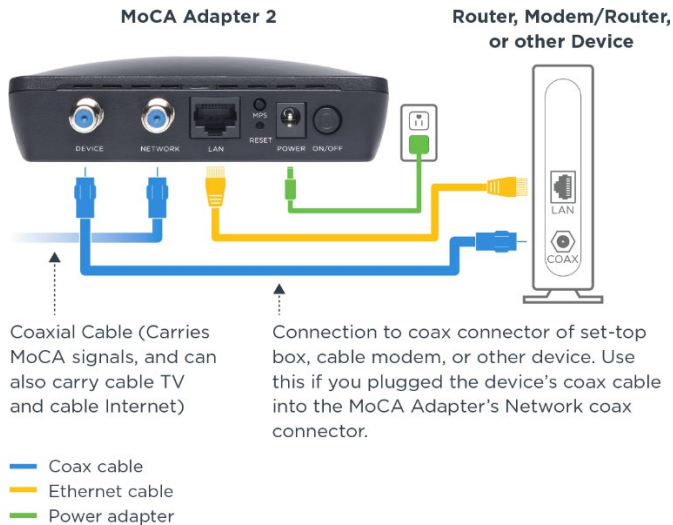


Figure 2. MoCA connection to a router that doesn't have built-in MoCA

1. You always connect a coax cable to the MoCA Adapter's Network input and your coax network. Sometimes there's an available coax network jack or cable, so you don't need to disconnect anything. However, you may need to use the coax cable that's plugged into a nearby set-top box, cable modem/router, or other device. It's okay to disconnect a coax cable from something, but then you

- need to use the included coax cable between the MoCA adapter's DEVICE coax and the device you disconnected.
2. Next, connect the included Ethernet cable between the MoCA adapter's Ethernet jack and the LAN Ethernet jack of the router or modem/router.
 3. Plug the power adapter into a live outlet, and make sure that the On/Off button is On.

Installing a MoCA Adapter for a smart TV or other device

Go to the **device** you're connecting to the router and connect as shown below.

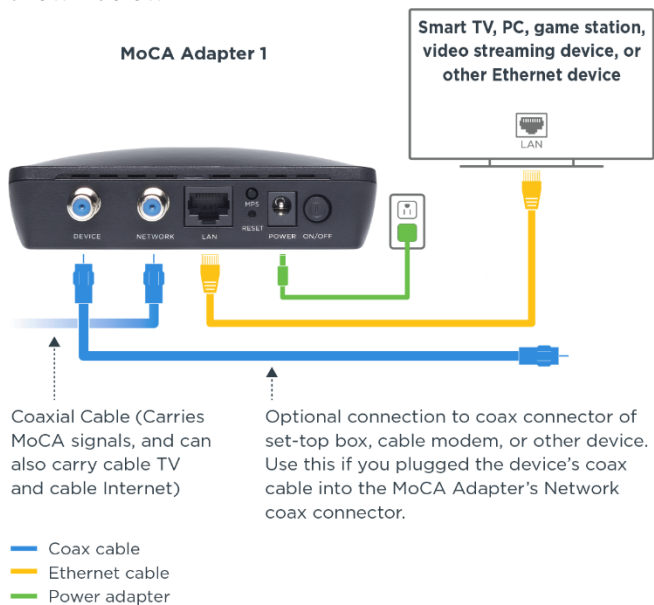


Figure 3. MoCA connection for a device

1. You always connect a coax cable to the MoCA Adapter's Network input and your coax network. Sometimes there's an available coax network jack or cable, so you don't need to disconnect anything. However, you may need to connect the Network coax connector to a coax cable that's plugged into a nearby set-top box, router, or other device. It's okay to disconnect a coax cable from something, but then you need to use the included coax cable between the MoCA adapter's DEVICE coax and the device you disconnected.
2. Connect the included Ethernet cable between the MoCA adapter's Ethernet jack and the LAN Ethernet jack of the device you're connecting to the router via MoCA.
3. Plug the power adapter into a live outlet, and make sure that the On/Off button is On.

Once you have MoCA for your router and device, the Link light should be lit for your MoCA Adapter(s). If it is lit, please try using the device. If it's able to access the Internet, your device is working – skip to the paragraph below. If the Link light is not lit, check your wiring and try power-cycling your MoCA Adapter(s). To power-cycle a MoCA Adapter, just switch the MoCA Adapter off for a few seconds, then switch it on. If your MoCA connection is still NOT working, please go to the **Troubleshooting tips** section.

If your MoCA connection is working, please read the **MoCA security** section below. Also, note that you can connect more devices (up to 16) via MoCA back to your router. For each device you want to connect to its own MoCA Adapter, use the **MoCA connection for a device** diagram on page 6.

Installing a MoCA Adapter with a Verizon® set top box

If you wish to use a MoCA adapter near a Verizon set top box, you must install a splitter. Verizon set top boxes use MoCA to communicate with the router. Connecting a Coax cable from the MM1025's device port to the Verizon set top box will prevent features like on-demand and channel guide from working. Your splitter should be MoCA compatible.



Figure 4. Installing MM1025 with Verizon set top box

MoCA security

We recommend some form of MoCA security if you have cable Internet service, especially if you are located within 150 yards (137 meters) of another home with cable Internet service. **If instead you have FiOS or some other form of fiber optic Internet service, you already have MoCA security so you don't need to read this section.**

MoCA security for **cable** Internet service comes from either of the following:

- Add a PoE filter where the coax cable enters your home. This prevents your MoCA signal from being transmitted to one of your neighbors and can also improve your cable service's signal.

- Program all your MoCA devices with the same MoCA security key. In the unlikely event that you want to do this, please see www.motorolanetwork.com/MoCAsecurity

For most people the PoE filter is easier and a better solution. The PoE filter doesn't interfere with your TV and Internet but does prevent your MoCA signals from traveling to your neighbors. You need to put the PoE Filter where the coax cable enters your home, before that cable branches off to connect to your TV sets, cable modem, and other devices. We suggest that you connect the MM1025's PoE Filter now. **If you find that a PoE Filter is already installed, don't install a second one.**

When installing the PoE Filter, you'll do the following:

1. Disconnect the coax cable as near as possible to where it comes into your home. This is usually inside your home but may be outside your home. Sometimes the coax cable goes into a splitter, and sometimes it connects to something else.
2. Connect that same coax cable to one end of the PoE Filter.
3. Connect the other end of the PoE Filter to the coax connector where you disconnected the coax cable.

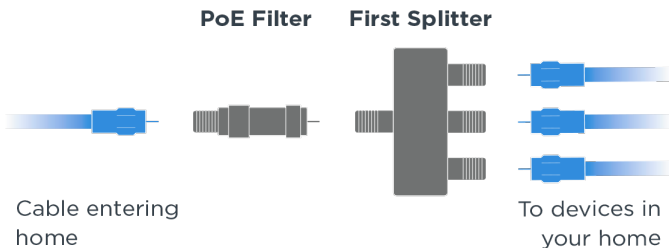


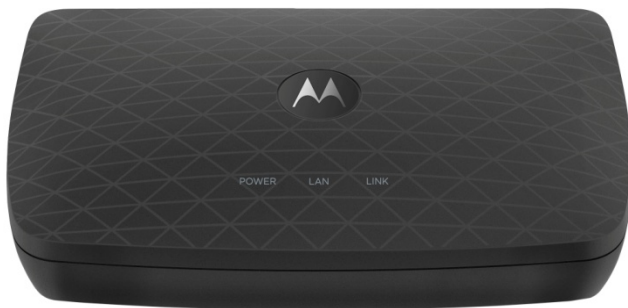
Figure 5. Connecting a PoE filter

Troubleshooting tips

1. If you have a problem, re-read this Quick Start. Did you connect your MoCA Adapter(s) correctly? Are all MoCA Adapters powered on? Is the Link light **on** for any MoCA Adapter, as it should be? If both Link lights are not lit, try power-cycling any MoCA Adapter you installed.
2. Make sure you're not trying to use the MoCA adapters with DirecTV or some other satellite TV, or with AT&T Internet or AT&T U-Verse.
3. If the Link light is **lit** for your MoCA Adapter(s), check that your router is on and that your device is set up correctly. If you're unsure about the setup of your smart TV or other device, try replacing it with a computer and seeing whether the computer browser works. If it does, there's probably a problem with your device's setup. Re-read that device's setup instructions. Note that some smart TVs and other devices have a setup section where you need to set up the Ethernet connection. Do that first if necessary, and then access the Internet through Netflix® or some other Internet TV service, or through a Web browser.
4. If the Link light is **not lit** for your MoCA Adapter(s), check that any MoCA Adapters are connected correctly and powered on. Try power-cycling any MoCA Adapters. If possible try plugging a TV or other device into the coax jack to check that the jack is working properly.
5. If you have a cable modem/router with built-in MoCA, you may be having difficulties because the cable modem/router has MoCA security turned on. In that case you need to either turn the router's MoCA security off or set up your MoCA Adapter for MoCA security. Please see **MoCA security** on page 8 for details.

6. Check to see whether there is a coax splitter near your router and/or the device that you want to connect to the router using MoCA. If you find a splitter, its frequency range should be shown on its label. Make sure that the upper frequency is at least 1,000 MHz (also called 1 GHz). If it's not, replace that splitter. You may be able to swap with another splitter that's in your home. If that's not possible, you may need to buy a splitter whose upper frequency is at least 1,000 MHz and preferably at least 1,600 MHz. Check also to make sure that you're not using an amplified splitter. If you are using an amplified splitter, replace it with one that's not amplified and whose upper frequency is at least 1,000 MHz.
7. Check the rest of your coax network to make sure splitters have an upper frequency of at least 1,000 MHz and are not amplified. Replace any splitter that is amplified or whose upper frequency is below 1,000 MHz.
8. Sometimes there are extra splitters in places you don't see them, and this can cause a problem.
9. You may need to make a change to your coax network. See www.motorolanetwork.com/coax for details.
10. In rare cases a home may have two different networks, each connecting to a cable box outside the home. If your router is on one network and the device you're trying to connect is on another network, MoCA will probably not work for you. In that case you should try some other connection technology such as WiFi or home powerline networking.

Top panel



LIGHT	COLOR	DESCRIPTION
POWER	Green	ON: MM1025 power on OFF: MM1025 power off
LAN	Green or Blue	Green: 1 Gbps Ethernet connection to your MoCA Adapter Green Blinking: Data being sent Blue: 2.5 Gbps Ethernet connection to your MoCA Adapter Blue Blinking: Data being sent OFF: No powered-up Ethernet connection to your MoCA Adapter
LINK	Green	ON: MoCA connection established Blinking: Data being sent OFF: MoCA connection not established

Back panel



DEVICE

This can be connected to a device whose coaxial cable was removed and plugged into NETWORK. See this Quick Start for details.

NETWORK

This will connect to your coax network.

LAN

This should connect to the Router or Device you're connecting to MoCA.

MPS

MoCA Protected Setup (see online user manual for details).

RESET

Press the reset button for 3 seconds in the unlikely event that you need to reset your MoCA Adapter to factory defaults.

POWER

Connect the supplied power adapter between the power jack and an electrical outlet.

ON/OFF

Press this button to switch the MoCA Adapter's power On or Off.

We like to help

Please visit our support Website or call our support specialists. Our Website has our Motorola Mentor information, and also provides returns and warranty information.

www.motorolanetwork.com/support

Email: support@motorolanetwork.com

Phone:

In the US and most other countries:

800-753-0797 or +1 617-753-0562

UK: +44 800 023 9083

Spain: +34 900 839 783

Limited Warranty

MTRLC LLC warrants this product against defects in material and workmanship for a warranty period of 2 years. To read the full warranty, please go to

www.motorolanetwork.com/warranty

Safety Information and Precautions

These precautions help protect you and your MM1025.

- Do not put the MM1025 or its power cube in water, since this is a shock hazard.
- Do not use the MM1025 outdoors if that exposes the adapter to rain, snow, ice, excessive moisture, extreme temperatures, or other extreme conditions.
- Your MM1025 should be operated in an environment that's between 32 and 104° Fahrenheit (0 to 40° Centigrade).
- Your MM1025 should not be in a confined space. There should be room for air flow around the top, front, and sides of the MM1025. Do not cover the ventilation openings.
- The MM1025 should be on a firm, stable surface. It is not intended for soft support.
- Make sure to use your MM1025's power cube and a compatible electrical outlet. The mains plug of the power adapter is used as the disconnect device, the AC outlet must be located near the MM1025 unit and be easily accessible.







- The coaxial cable's ground shield is intended to be connected to the building's Earth ground. Attachment to earth ground is typically provided through your cable service provider's installation.
- Marking information is located on the bottom of the MM1025.
- Recycling - This product bears the selective sorting symbol for Waste electrical



and electronic equipment (WEEE). This means that in the EU, this product must be handled pursuant to European directive 2012/19/EU in order to be recycled or dismantled to minimize its impact on the environment. User has the choice to give his product to a competent

recycling organization or to the retailer when he buys a new electrical or electronic equipment.

Label Symbols

SYMBOL	INDICATES
	DC voltage
	AC voltage
	For indoor use only
	Class II equipment
	Energy Efficiency Marking
LPS	Limited Power Source supply
	Center-positive DC power input connector polarity

FCC Statement

Any changes or modifications not expressly approved by the party responsible for compliance could void the user's authority to operate the equipment. This device complies with Class B Part 15 of the FCC Rules. Operation is subject to the following two conditions: (1) this device may not cause harmful interference, and (2) this device must accept any interference received, including interference that may cause undesired operation.

Note: this equipment has been tested and found to comply with the limits for a Class B digital device, pursuant to part 15 of the FCC Rules. These limits are designed to provide reasonable protection against harmful interference in a residential installation. This equipment generates, uses, and can radiate radio frequency energy and, if not installed and used in accordance with the instructions, may cause harmful interference to radio communications. However, there is no guarantee that interference will not occur in a particular installation. If this equipment does cause harmful interference to radio or television reception, which can be determined by turning the equipment off and on, the user is encouraged to try to correct the interference by one or more of the following measures: reorient or relocate the receiving antenna, increase the separation between the equipment and receiver, connect the equipment into an outlet on a circuit different from that to which the receiver is connected, and/or consult the dealer or an experienced radio/TV technician for help.

Produced by MTRLC LLC, official licensee for this product. PO Box 121147 Boston, MA 02112-1147

©Motorola Mobility LLC 2020. MOTOROLA, the Stylized Motorola Logo, and the Stylized M Logo are trademarks or registered trademarks of Motorola Trademark Holdings, LLC. and are used under license. All other trademarks are the property of their respective owners. All rights reserved.