

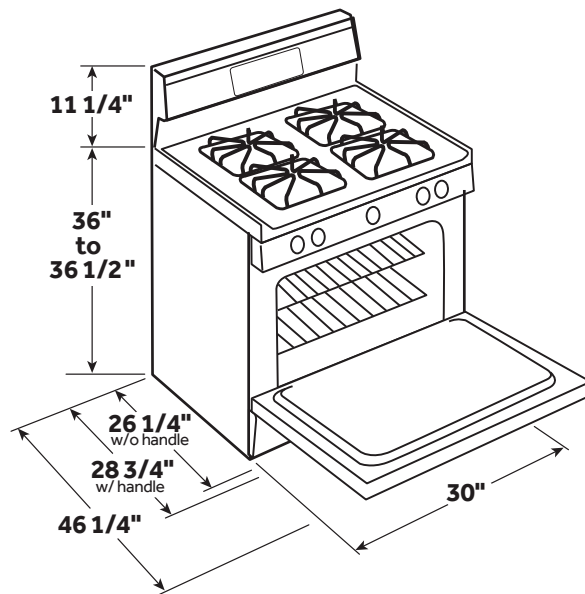
JGBS66EEK/REK/FEK

GE® 30" Free-Standing Gas Range

Dimensions and Installation Information

Electrical: 120V, 60Hz, 15A

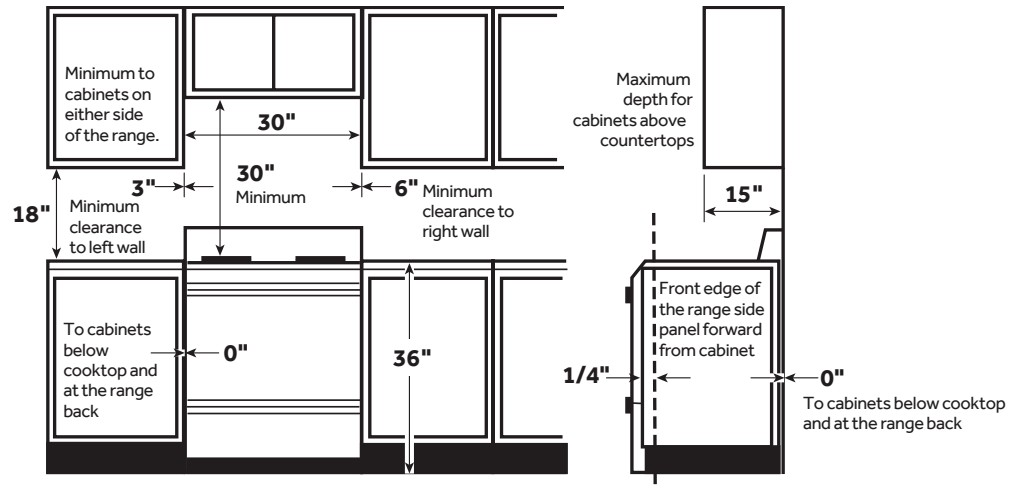
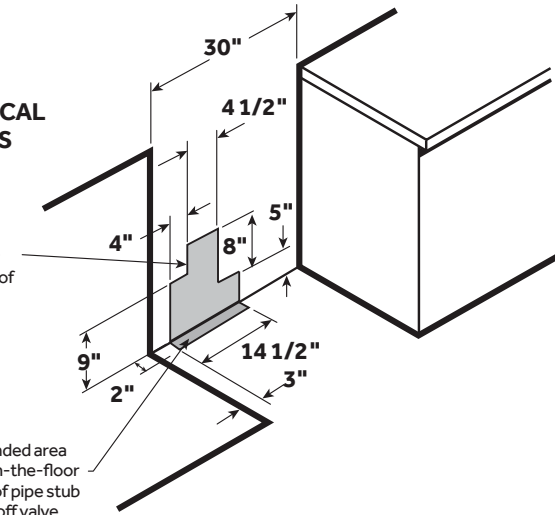
Installation Information: Before installing, consult installation instructions packed with product for current dimensional data.



GAS PIPE AND ELECTRICAL OUTLET LOCATIONS

Recommended area for 120V outlet on rear wall and area for through-the-wall connection of pipe stub and shut-off valve.

Recommended area for through-the-floor connection of pipe stub and shut-off valve.



For answers to your Monogram, Café™, GE Profile™ or GE Appliances product questions, visit our website at geappliances.com or call GE Answer Center® Service, 800.626.2000.



All GE Appliances ranges are equipped with an Anti-Tip device. The installation of this device is an important, required step in the installation of the range.

JGBS66EEK/REK/FEK

GE® 30" Free-Standing Gas Range

Features and Benefits

Edge-to-Edge Cooktop – A large cooking surface gives you extra room for pots and pans of all sizes and lets cookware move easily from burner to burner

Extra-Large Integrated Griddle – Cook up to six grilled cheeses at once on the industry's largest integrated griddle

15,000 BTU Power Boil Burner – Delivers high heat for fast boiling

Center Oval Burner – Large oval fifth burner is ideal for griddle cooking

Steam Clean – Save time and effort by steam-cleaning the oven after cooking. No special water, kits or extra steps required

Precise Simmer Burner – Delicate foods don't burn with low, even heat

Heavy Duty, Dishwasher-Safe Grates – Easily and safely clean grates in the dishwasher

5.0 Cu. Ft. Oven Capacity – Cook more dishes at once

Sealed Cooktop Burners – Contain spills and make cleaning quick and easy

Deep-Recessed Cooktop – Contains spills for quick and easy cleaning

Model JGBS66EEKES – Slate

Model JGBS66REKSS – Stainless steel

Model JGBS66FEKDS – Black slate

