



**LEND-A-HAND ENTRY DOOR  
OEM INSTALLATION MANUAL**

# TABLE OF CONTENTS

<b>Introduction</b> .....	2
<b>Safety</b> .....	3
<b>Resources Required</b> .....	3
<b>Preparation</b> .....	4
<b>Installation</b> .....	5
Installing the Assist Handle Door.....	5
Interior Frame and Hinge Installation - Motorized Only.....	8
Snap Trim and Drip Cap Installation.....	8
Weatherizing the Door.....	9
<b>Friction Hinge Installation</b> .....	9
<b>Strut Installation</b> .....	10
<b>Storage</b> .....	11
Assist Handle Storage.....	11

## Introduction

This RV entry door comes completely assembled with door lock, standard push down screen knob, standard raised kick panel, standard soft screen door corners and an integrated, adjustable, self-storage assist handle. The assist handle cradle, with handle, comes pre-installed on the door. The cradle has three positions; two storage and one functional. Extension springs, located in each cradle, apply a constant load on the handle to keep the handle locked into each cradle position. Snap trim and drip cap sold separately. Required mounting fasteners not included.

**NOTE:** This door and its components are compliant to original test parameters. Deviation from original test parameters may void certification and warranty.

Additional information about this product can be obtained from [lci1.com/support](http://lci1.com/support) or by downloading the free LippertNOW app. The app is available on Apple App Store® for iPhone® and iPad® and also on Google Play™ for Android™ users.

Apple App Store®, iPhone®, and iPad® are registered trademarks of Apple Inc.  
Google Play™ and Android™ are trademarks of Google Inc.

For additional support on this product, please visit: <https://support.lci1.com/entry-doors>.

**NOTE:** Images used in this document are for reference only when assembling, installing and/or operating this product. Actual appearance of provided and/or purchased parts and assemblies may differ.

## Safety

Read and understand all instructions before installing or operating this product. Adhere to all safety labels.

This manual provides general instructions. Many variables can change the circumstances of the instructions, i.e., the degree of difficulty, operation and ability of the individual performing the instructions. This manual cannot begin to plot out instructions for every possibility, but provides the general instructions, as necessary, for effectively interfacing with the device, product or system. Failure to correctly follow the provided instructions may result in death, serious personal injury, severe product and/or property damage, including voiding of the Lippert limited warranty.

### **WARNING**

**This safety label indicates that the following procedure may create a condition where severe product and/or unit damage, serious personal injury or death may occur if stated precautions are not followed.**

### **CAUTION**

**This safety label indicates that the following procedure may create a condition where product and/or unit may be damaged and personal injury may occur if stated precautions are not followed.**

### **CAUTION**

**Moving parts can pinch, crush or cut. Keep clear and use caution.**

## Resources Required

- Cordless or electric drill or screw gun
- Appropriate drive bits
- Caulk gun
- Putty tape or closed cell PVC foam tape
  - For a laminate wall; tape should be 1" wide x 1/8" thick max.
  - For a "stick-and-tin" wall; tape should be 1" wide x 1/4" thick max.
- Gunnable sealant
- #8 self-tapping screws long enough to penetrate sidewall framing; quantity depends on size of door.
- #12 self-tapping screws long enough to penetrate sidewall framing; quantity depends on size of door. For use on a motorized unit entry door only.
- Rigid spacers (recommended)

## Preparation

**NOTE:** Installation must be performed with the door in the closed position.

**NOTE:** The RV entry door comes with spacer blocks installed to hold, and properly space, the door assembly within the opening.

1. Verify the size of the door opening is correct. The door "call" size is the required rough opening size. The actual door size will be undersized by  $\frac{1}{2}$ " in width and height. For example;
    - A 26" x 72" door requires a 26" x 72" opening.
    - The actual door size will be 25  $\frac{1}{2}$ " x 71  $\frac{1}{2}$ ".
  2. If the assist handle is not already positioned against the door (Fig. 1), lift the handle up and out of the cradle, swing the handle towards the door, then lower the handle back into the cradle.
  3. Install putty tape, or closed cell PVC foam tape, around the backside of the screw track frame (Fig. 2A). Make sure all screw holes are covered.
- For a laminate wall: Use 1" wide x  $\frac{1}{8}$ " thick maximum sealant tape.  
• For a stick-and-tin wall: Use 1" wide x  $\frac{1}{4}$ " thick maximum sealant tape.
- NOTE:** Avoid excessive sealant near the latching mechanism. Excessive putty tape or foam in the plunger opening may restrict full engagement of the latching mechanism.
4. Make sure the door is sealed along the bottom, either on the lip of the opening or the edge of the floor.
  5. Make sure the deadbolt is disengaged.



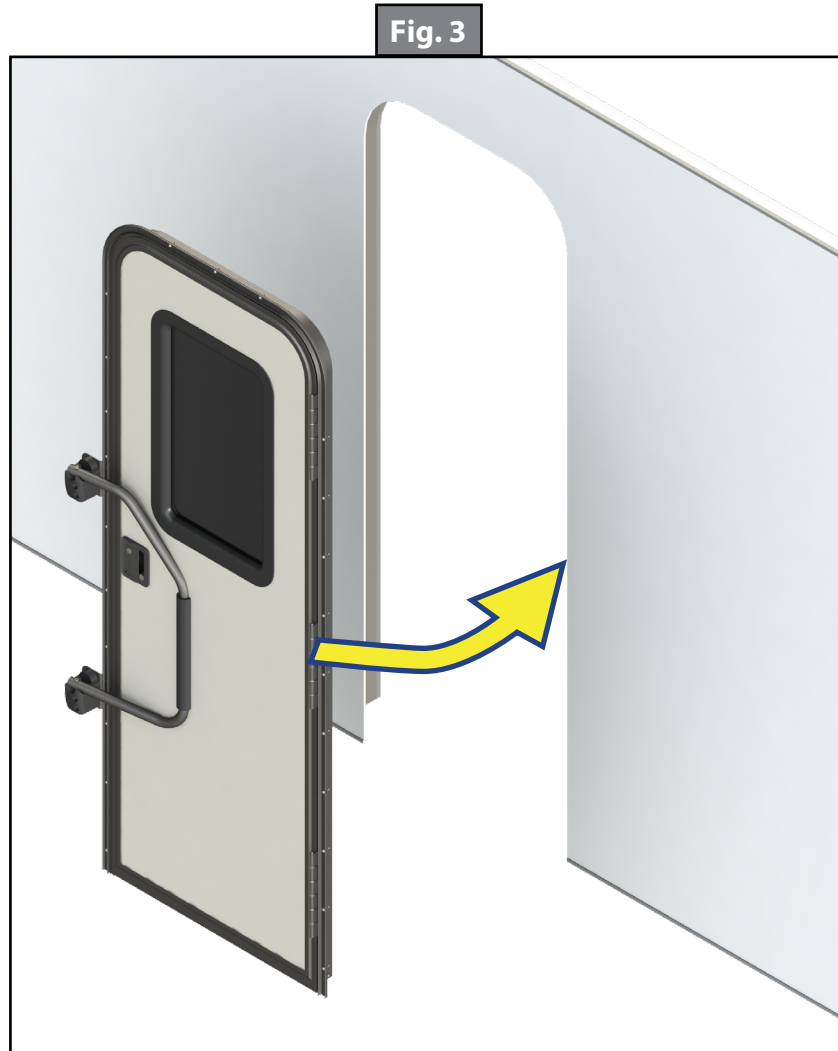


## Installation

### Installing the Assist Handle Door

1. Set the door into the wall opening, hinge-side first (Fig. 3), making sure that it is flush against the opening and the bottom edge is setting flat on the floor.

**NOTE:** If the door is offset to the latch-side, the plunger may hit the side wall framing and not engage completely.



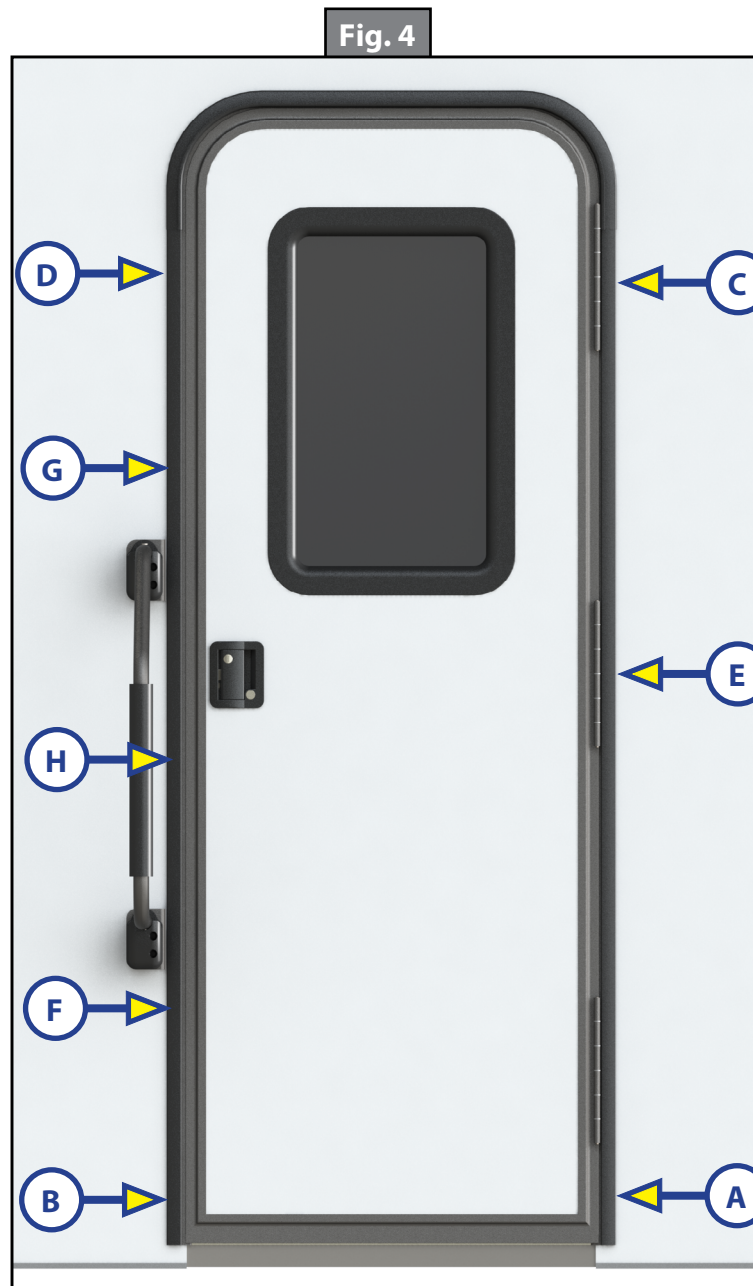
2. Fully insert the door assembly into the opening.
3. Install a #8 screw into the hole nearest the bottom hinge (Fig. 4A) and another #8 screw into the hole near the bottom of the latch-side (Fig. 4B).
4. After the first two screws are installed, verify the bottom of the door is flush with the bottom of the outer frame to ensure spacer blocks are present.
  - A. If the door is hanging down, open the door carefully, making sure the door does not tip outward, and install a spacer block.
  - B. Carefully close the door and continue with the installation.

5. Install a #8 screw into the hole near the top hinge (Fig. 4C).
6. Make sure the door sets evenly in the frame and that the frame on the latch-side maintains a 3/8" gap.
7. Install a #8 screw into the hole near the top of the door on the latch-side (Fig. 4D).

**NOTE:** Screws must be installed straight on the latch-side of the door. Screws installed at an angle will cause the door frame to twist and may prevent the door from opening properly. This can also result in latch damage. On stick-and-tin units, install screws at the ridges of the screw track frame first, then the valleys.

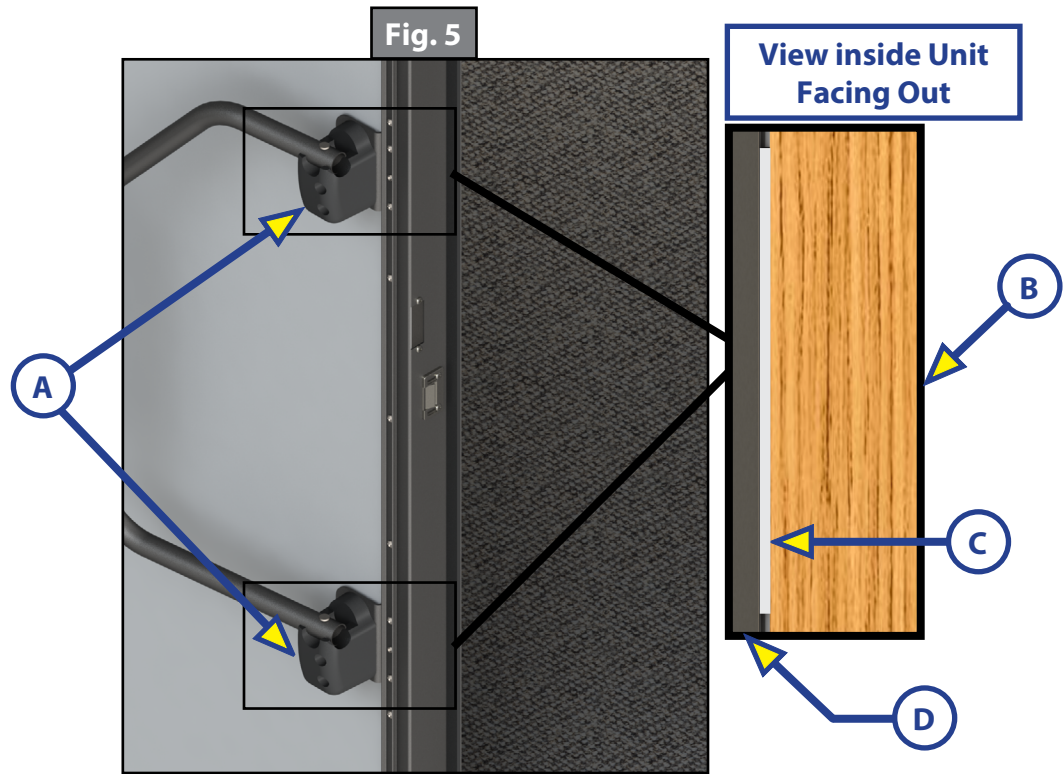
8. Install the next four #8 screws in alphabetical order (4E-4H).
9. Install #8 screws in the remaining pre-drilled holes of the screw track frame in an alternating pattern from latch-side to hinge-side and to top of door, repeating the pattern until all holes are filled.

**NOTE:** Each pre-drilled hole of the screw track frame and the Assist Handle mounting brackets should be filled, but no additional screws should be used.



**NOTE:** For extra cradle mounting bracket stability, rigid spacers may be added as outlined in step 10.

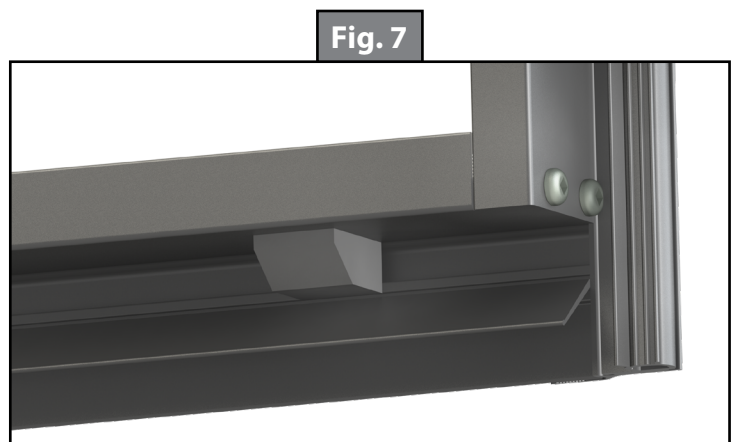
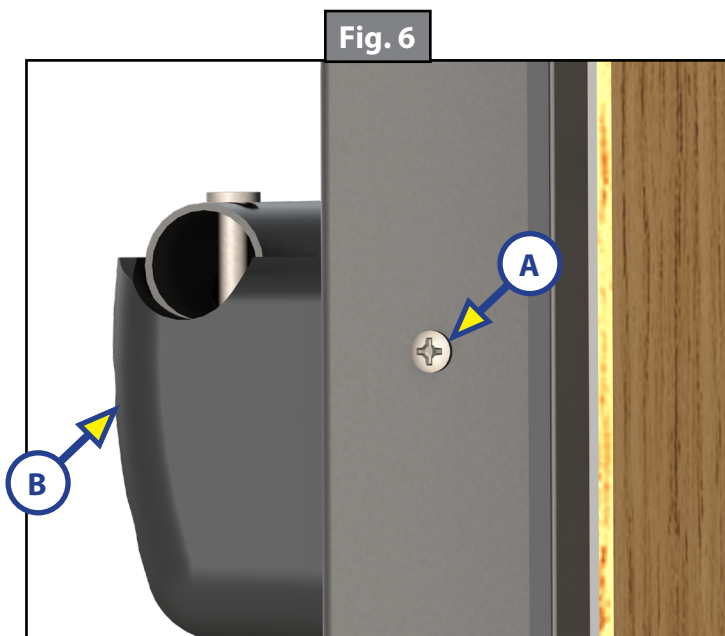
- Working inside the unit, make sure the rigid spacers (Fig. 5C) are installed behind each of the cradle mounting brackets (Fig. 5A). The spacers should be sandwiched between the rough opening of the door (Fig. 5B) and the screw track frame (Fig. 5D).



- Install one #8 screw (Fig. 6A) into the inside of the screw track frame 90 degrees opposite the cradle mounting bracket (Fig. 6B) and just off center from the mounting bracket's intersecting middle rivet.
- Remove spacer blocks from the door after installation, if not needed.

**NOTE:** There is a spacer block (Fig.7) on the very bottom of the door.

**NOTE:** After door installation, minor adjustments to the screen door may be necessary for proper operation.



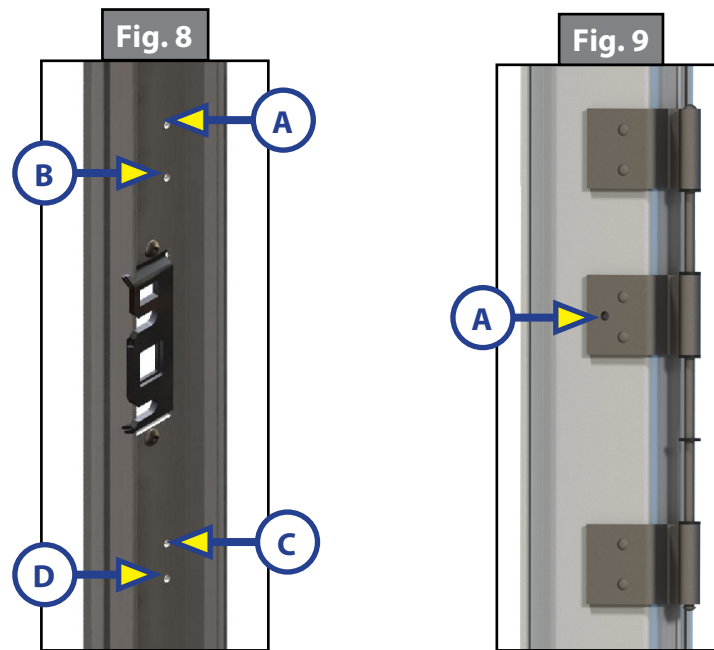
## Interior Frame and Hinge Installation - Motorized Only

**NOTE:** For doors with friction hinges or struts, be sure to read those sections later in this manual.

1. With the entry door open, install four #12 screws (Fig. 8A-D).
2. Install one #12 screw in each hinge on the third leaf (Fig. 9A). There are four hinges per door. Screw length must be long enough to penetrate sidewall framing.

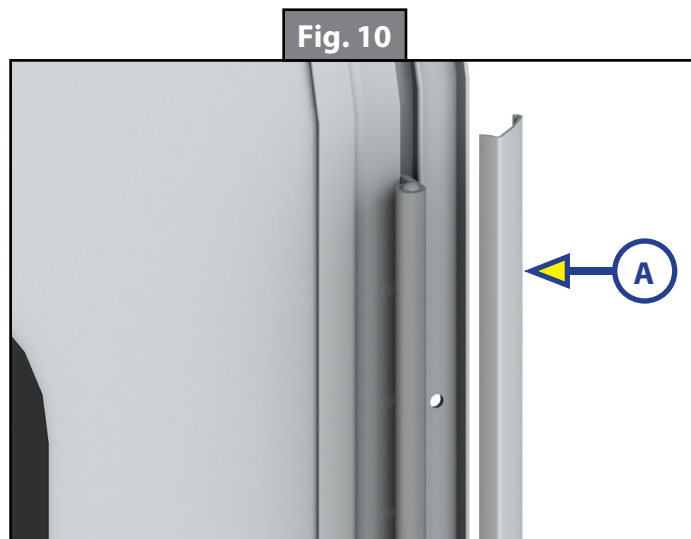
**NOTE:** Figure 8 is the catch of the door, figure 9 shows the hinges. The hinge leaves attached to the door are hidden for clarity. Entry door and screen door are also hidden for clarity.

**NOTE:** After installing the door, minor adjustment of the screen door may be necessary to achieve proper operation.

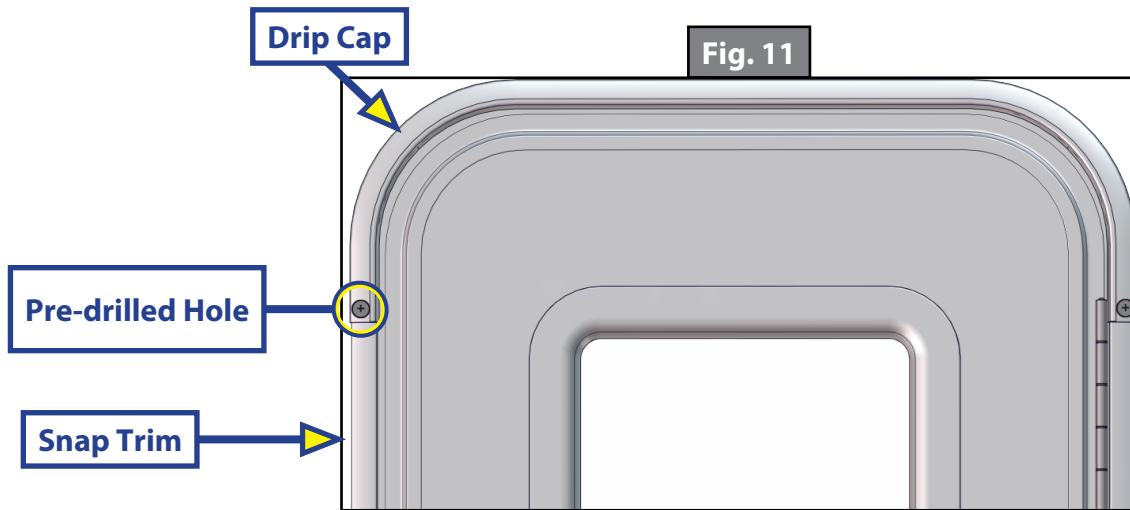


## Snap Trim and Drip Cap Installation

1. If applicable, install snap trim (Fig. 10A). Snap trim is installed from the outside in. Match the long leg of the snap trim to the long leg of the door frame.



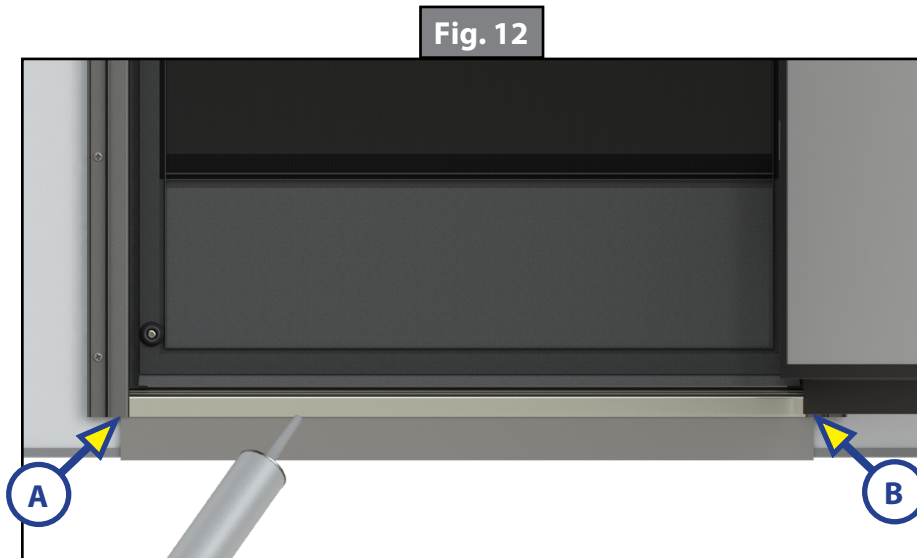
2. Install the drip cap by overlapping the snap trim. Secure with #8 self-tapping screws in the pre-drilled hole locations (Fig. 11). Screw length must be long enough to penetrate sidewall framing.



### Weatherizing the Door

After sealing threshold with putty tape or closed cell PVC foam tape, do as follows;

1. Run a bead of gunnable sealant around the entire outside edge of the screw track frame.
2. Run a bead of gunnable sealant on the bottom of the threshold (Fig. 12) along the entire width of the door.
3. Do not leave any seal voids at the corners (Fig. 12A and B).



### **Friction Hinge Installation**

Install the friction hinge as follows:

1. Using the third leaf's pre-drilled hole as a guide (Fig. 13A), use an appropriate-sized drill bit to drill a pilot hole through the door frame.
2. Secure the hinge leaf and door frame to the unit's wall with a #8 screw.

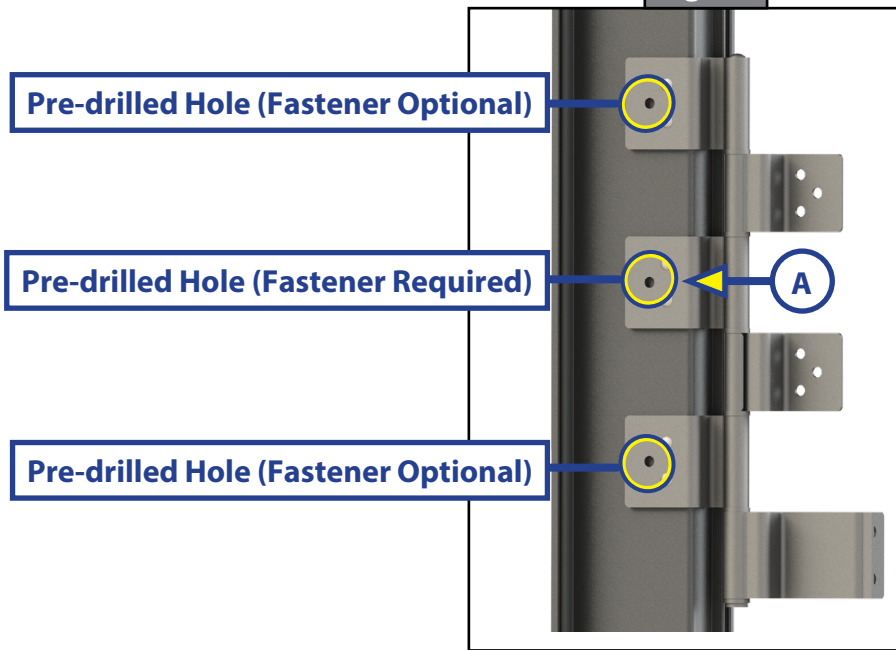
**NOTE:** Screw length must be long enough to penetrate the unit's wall framing.

**NOTE:** There will also be pre-drilled holes on the first and fifth leaf of the hinge for optional fastener installation.

3. Optionally, repeat steps 1 and 2 for the first and fifth hinge leaves on each hinge.
4. Repeat steps 1-3 on any remaining friction hinges.



Fig. 13

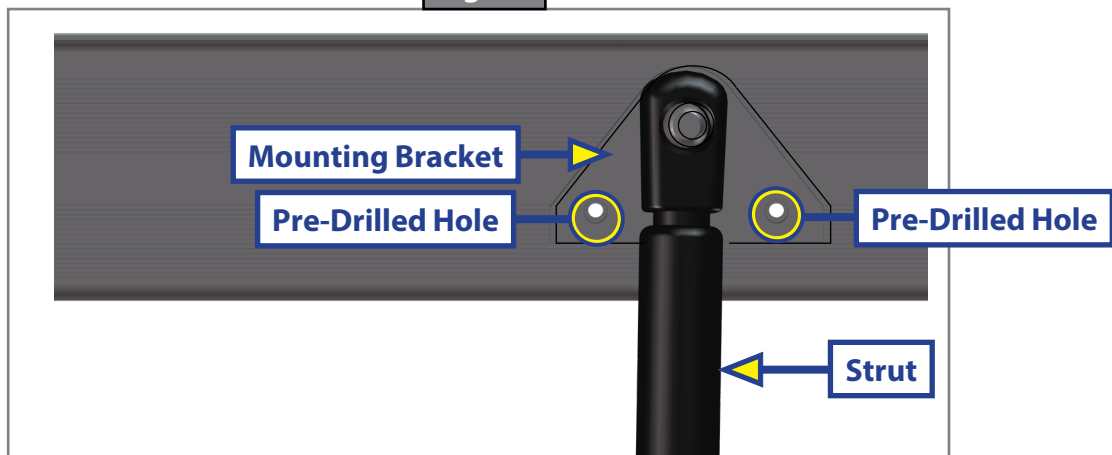


## Strut Installation

1. Using the mounting bracket's pre-drilled holes as guides, use an appropriate-sized drill bit to drill a pilot hole.
2. Secure the strut's bracket to the unit framing (Fig. 14) with two #8 screws.

**NOTE:** Screw length must be long enough to penetrate the unit's framing.

Fig. 14



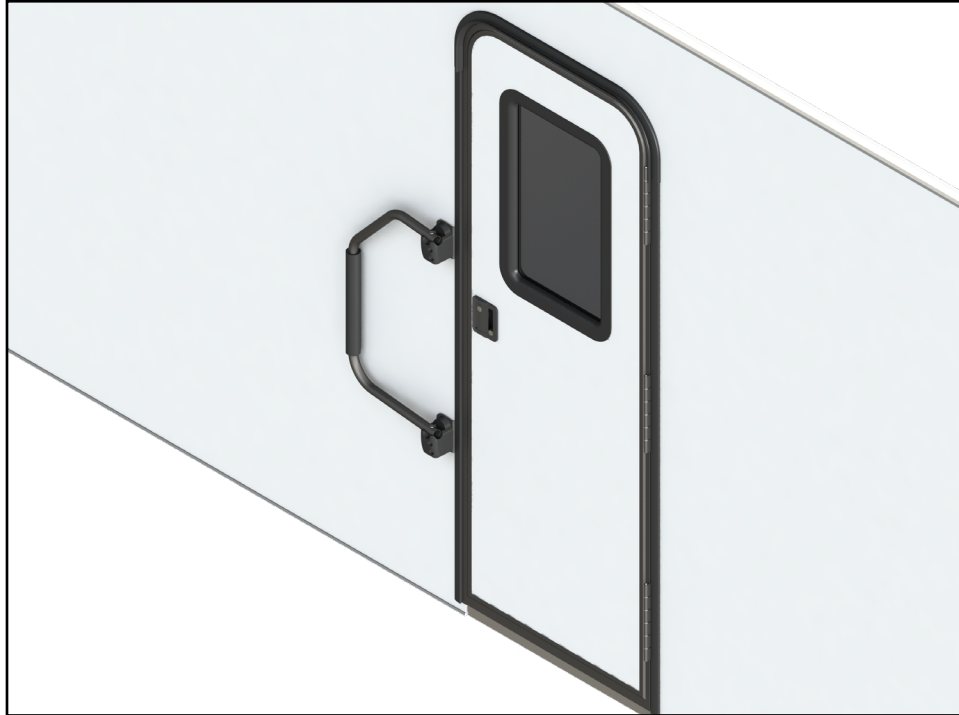
## Storage

### Assist Handle Storage

To reposition the assist handle for normal storage or when traveling (Fig. 15), do as follows:

1. Lift the handle up and out of its cradle.
2. Swing the handle towards the outside wall of the unit.
3. Lower the handle back into the cradle.

Fig. 15





The contents of this manual are proprietary and copyright protected by Lippert. Lippert prohibits the copying or dissemination of portions of this manual unless prior written consent from an authorized Lippert representative has been provided. Any unauthorized use shall void any applicable warranty. The information contained in this manual is subject to change without notice and at the sole discretion of Lippert. Revised editions are available for free download from [lippert.com](http://lippert.com).

Please recycle all obsolete materials.

For all concerns or questions, please contact Lippert  
Ph: 432-LIPPERT (432-547-7378) | Web: [lippert.com](http://lippert.com) | Email: [customerservice@lci1.com](mailto:customerservice@lci1.com)