



Electronic Drum Kit User Guide



Contents

Before Use

Safety Information.....	3
--------------------------------	----------

Getting Started

Drum Parts and Functions

Drum Parts.....	4
Control Unit.....	5

Installing the Drum Kit

What's in the box?.....	6
Drum Kit assembly.....	6
Connecting.....	9

Using the Drum Kit

Power and Features

Turning the drum kit on/ off.....	10
Adjusting the volume.....	10
Adjusting the tempo.....	10
Selecting a drum kit.....	11
Using the Metronome.....	12
Playing a song.....	12
Song and beat lists.....	13

Additional Information

Notes

MIDI Implementation chart.....	14
Specification.....	15
FCC Compliance Statement.....	16
Product Disposal (UK and EU).....	17

Safety Information

Please read before using the product



Keep this user guide in a safe place for future reference.

Please read and follow the basic precautions listed below to avoid the possibility of serious injury or even death from electrical shock, short circuiting, damages, fire or other hazards. The supplier cannot be held responsible for damage caused by improper use or modifications to the instrument, or data that is lost or destroyed.

Power Supply/ AC Power Adapter

- Use the specified adapter only. Using the wrong adapter can result in damage to the instrument or overheating.
- When removing the electric plug from the instrument or an outlet, always hold the plug itself and not the cord.
- Remove the electric plug from the outlet when the instrument is not to be used for extended periods of time, or during electrical storms.

Fire and Water Warning

- Do not expose the instrument to rain, use it near water or in damp/ wet conditions.
- If any liquid such as water seeps into the instrument, turn off the power immediately and unplug the power cord from the AC outlet. Have the instrument inspected by a qualified service engineer before further use.
- Do not place the unit near heat sources such as heaters or radiators.

Handling and Maintenance

- Do not place heavy objects on the instrument and do not use excessive force on the buttons/ switches/ connectors.
- When cleaning the instrument, use a soft, dry cloth. Do not use solvents or cleaning fluids.
- Do not use the instrument/ device at high or uncomfortable volume levels for long periods of time as this can cause damage to hearing.

Do Not Open

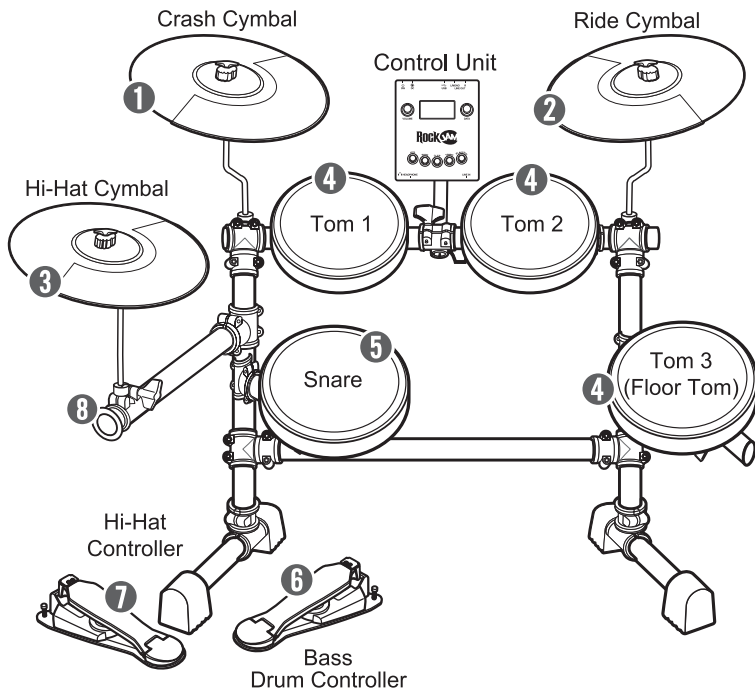
- This instrument contains no user-serviceable parts. Do not open the instrument or attempt to disassemble/ modify the internal components in any way. If it should appear to be malfunctioning, discontinue use immediately and have it inspected by a qualified service engineer.

When Using The Kit

- If one of the following problems occur, immediately turn off the power switch and disconnect the plug from the outlet. Have the unit inspected by a qualified service engineer.
- The power cord or plug becomes frayed or damaged.
 - The instrument emits smoke or an unusual smell.
 - There is a sudden loss of sound during the use of the instrument.

Drum Parts & Functions

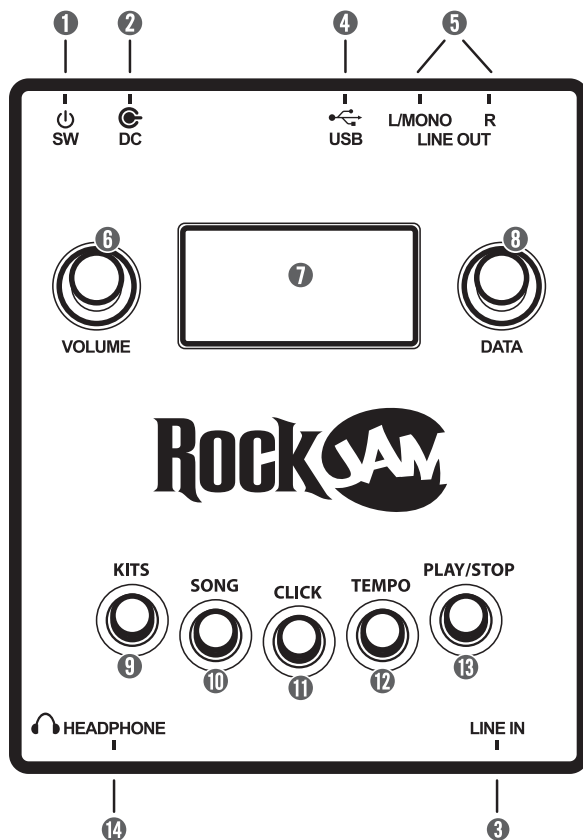
Drum Parts



- 1 Crash Cymbal:** The 10 inch cymbal that supports the Edge, Bow playing sound and choke function.
- 2 Ride Cymbal:** The 10 inch cymbal that supports the Ride crash, Bell playing sound and choke function.
- 3 Hi-Hat Cymbal:** The 10 inch cymbal that changes playing sound according to the operation of the hi-hat controller.
 - **Open Hi-Hat:** The foot is not released or placed on the pedal.
 - **Half Open Hi-Hat:** The pedal is in the middle position
 - **Close Hi-Hat:** When the pedal is fully depressed.
 - **Foot Control Chick:** When you press the pedal, the Hi-Hat sound being played will be muted and played.
- 4 Tom 1/ 2/ 3:** The 8-inch mesh pad that supports head playing sound.
- 5 Snare:** The 8-inch mesh pad that supports three sounds as below:
 - **Head:** Plays centre of mesh
 - **Side Stick:** Plays rim on the pad
 - **Rim Shot:** Simultaneously plays rims of the mesh and pad.
- 6 Bass Drum Controller:** Controls the sound of the bass drum.
- 7 Hi-Hat Controller:** Controls the hi-hat cymbal.
- 8 Drum Stick Holder:** Handy compartment for the drum sticks.

Drum Parts & Functions

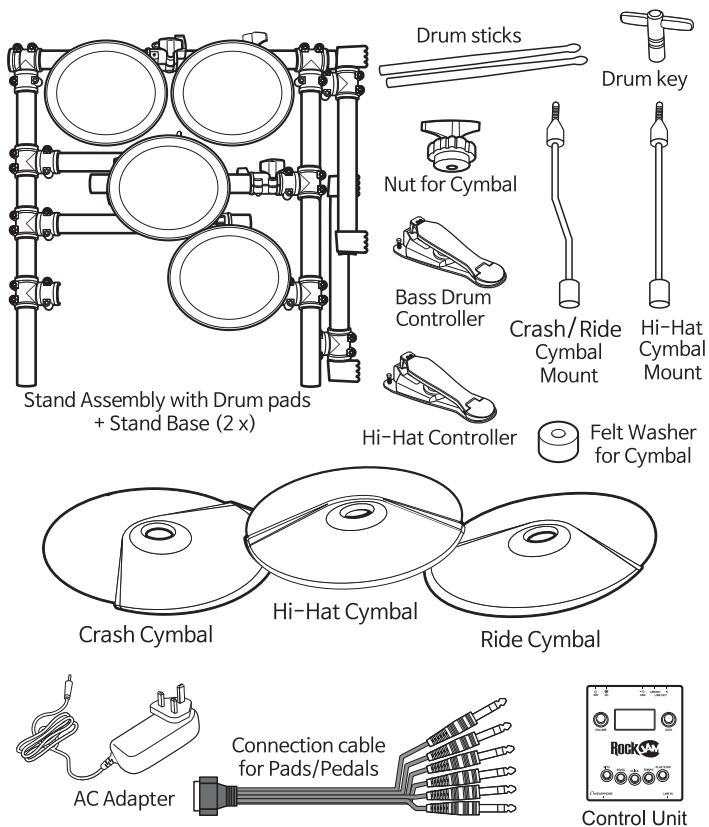
Control Unit



- 1 **POWER SWITCH:** Turns the control unit on and off.
- 2 **DC IN JACK:** Connects DC plug of AC adapter.
- 3 **LINE IN:** Line in for music input.
- 4 **USB Port:** Connects your PC or smartphone via USB MIDI cable.
- 5 **LINE OUT PORTS:** Connects to external amplifier/ audio system.
- 6 **VOLUME:** Adjust volume level.
- 7 **DISPLAY WINDOW:** Shows unit information/ playback status.
- 8 **DATA:** Changes/ selects your item.
- 9 **KITS:** Selects the drum kit.
- 10 **SONG:** Selects the song.
- 11 **CLICK:** Selects a built in Metronome
- 12 **TEMPO:** Adjust the Tempo (40 - 250)
- 13 **PLAY/ STOP:** Starts or stops playback.
- 14 **HEADPHONE:** Stereo headphone port.

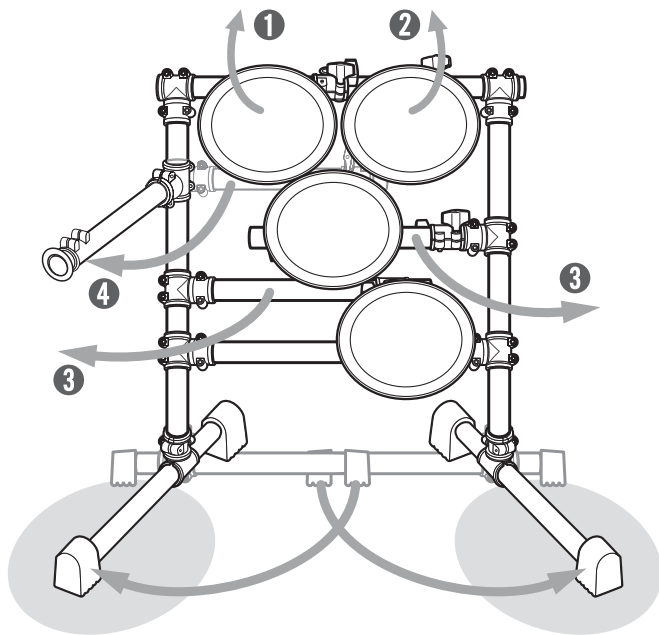
Installing the Drum Kit

What's in the box?



Drum Kit assembly

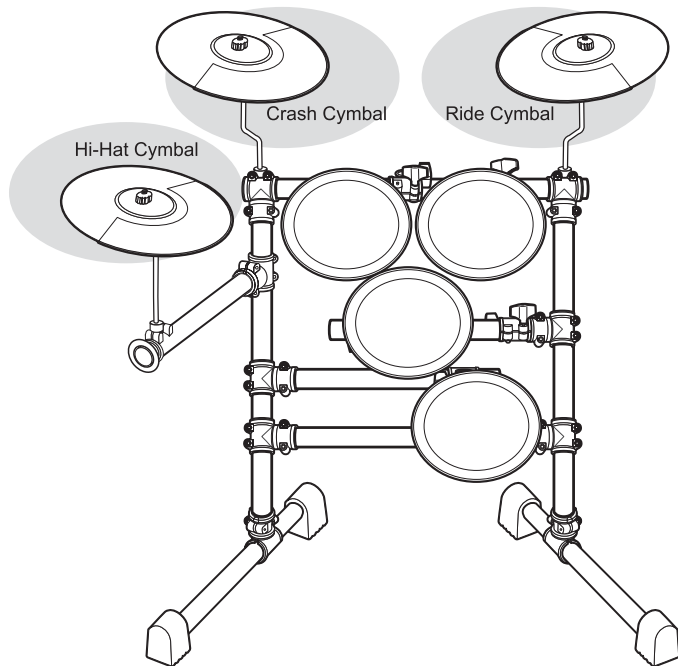
1. Assemble the 2 x stand base legs onto the main drum stand. Follow the number sequence below to position the drums and the Hi-Hat cymbal arm.



Installing the Drum Kit

Drum Kit assembly

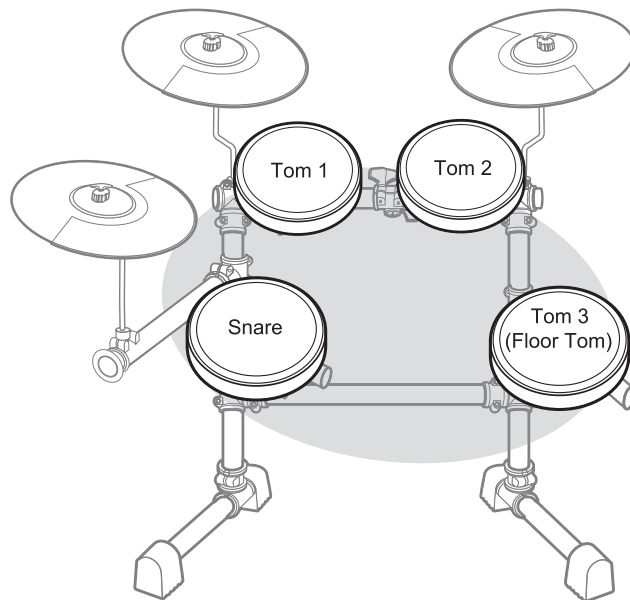
2. Attach the three cymbals to the stand as shown below using the felt washers and cymbal bolts.



3. Adjust Tom 1, Tom 2, Tom 3 and the snare drum into the required position.



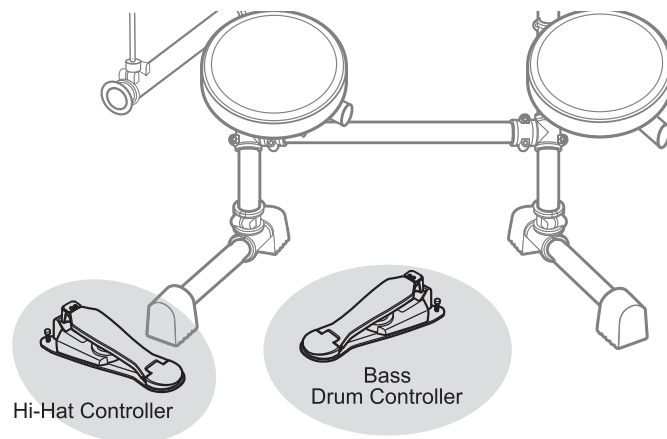
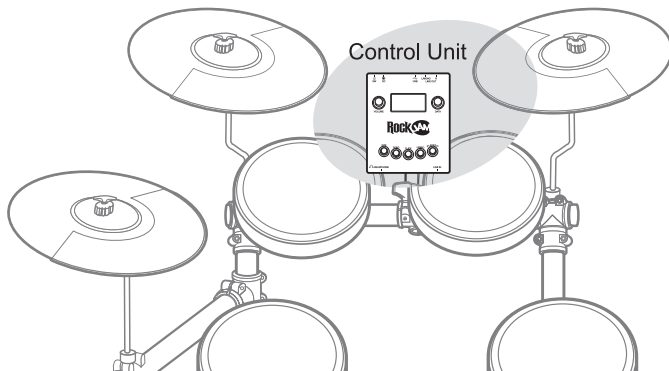
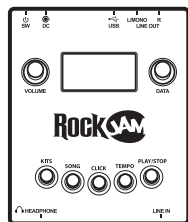
Use the drum key to tighten moveable arm joints as required.



Installing the Drum Kit

Drum Kit Assembly

4. Attach the Control Unit to the stand.

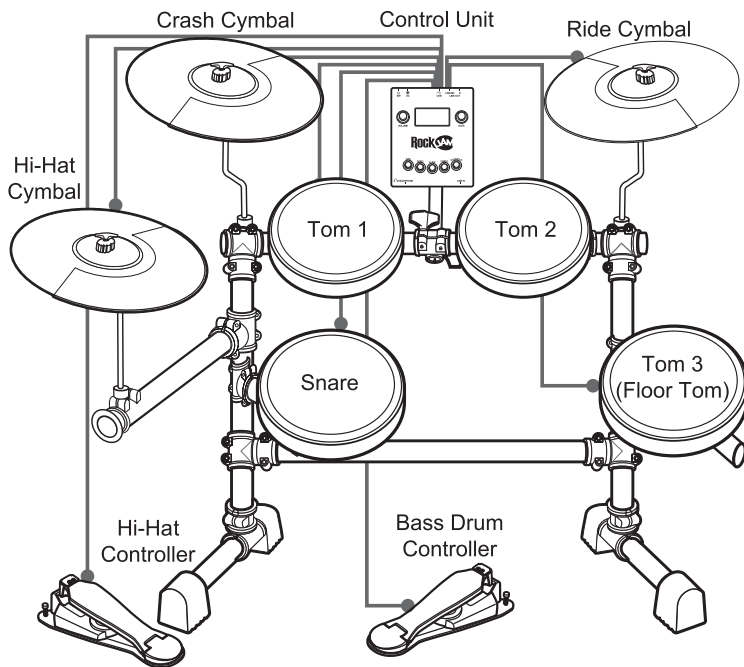


5. Place the Hi-Hat Controller and Bass Drum controller pedals in the required place.

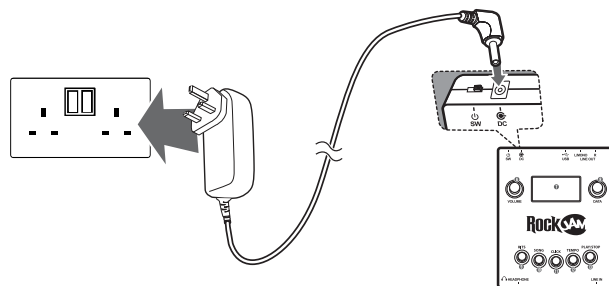
Installing the Drum Kit

Connecting

6. Use the connection cable to connect all the drum pads, cymbals and pedal controllers to the Control unit.



7. Connect the power source to the Control unit using the AC adapter.

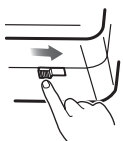


Power and Features

Turning the drum kit on/ off



1. Insert the **DC plug** (power adapter) into the **DC IN** port on the top of the control unit.



2. Slide the **POWER** switch to the right to power up the drum kit.

U12 > 2.01

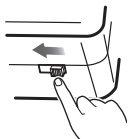
Once powered on, the display will show the model name, system version and then launch a basic drum kit.



3. Once the basic drum kit is displayed, turn the **DATA** dial to select the desired drum kit.

2.11

There is a choice of 31 preset drum kits. See the next page for the full list of drum kits.



4. Slide the **POWER** switch to the left to power off the drum kit.

Adjusting the volume



1. Turn the **VOLUME** dial on the control unit to adjust the volume level.

Adjusting the tempo



1. When playing a rhythm or using the metronome, press the **TEMPO** button to show the current tempo.

100



2. Turn the **DATA** dial to select the desired tempo.

40 250

You can adjust the tempo from 40 - 250

Power and Features

Selecting a drum kit



1. Press the **KITS** button to show the current drum kit.

d.11



2. Turn the **DATA** dial to select the desired drum kit.

d.01 d.31

The following drum kits are available to select:

No.	Drum Kit Name
d.01	Pop 1
d.02	Pop 2
d.03	Studio 1
d.04	Studio 2
d.05	Studio 3
d.06	Garage
d.07	Jazz
d.08	Indie
d.09	Hard Rock
d.10	Old Rock
d.11	Funky Jazz 1
d.12	Funky Jazz 2
d.13	Fusion
d.14	Dance
d.15	Electric
d.16	Modern

No.	Drum Kit Name
d.17	Latin
d.18	Alternate
d.19	Bubinga
d.20	Samba
d.21	Custom 1
d.22	Custom 2
d.23	Pop Live
d.24	Club Dance
d.25	Progress
d.26	GM Standard
d.27	GM Room Set
d.28	GM Power Set
d.29	GM Elec Set
d.30	Percussion 1
d.31	Percussion 2

Power and Features

Using the Metronome



1. Press the **CLICK** button to display the current metronome setting.

201



2. Turn the **DATA** dial to select the desired beat.

201 240

There are 12 different beat styles. (c.01- c.12)
See the next page for the full list.



3. Press the **TEMPO** button, then turn the **DATA** dial to select the desired tempo.

40 250



Playing a Song



1. Press the **SONG** button to show the current song.

501



2. Turn the **DATA** dial to select the desired song.

501 544

There are 44 songs to choose from. See the next page for the full song list.



3. Press the **PLAY/ STOP** button OR hit each pad/ cymbal to start playback.
The song will begin after the start signal.

4. To stop playback, press the **PLAY/ STOP** button.

Power and Features

Song and Beat lists

Song list:

No.	Song Name
s.01	Acid Jazz
s.02	Ballad Beat
s.03	Big band
s.04	Break Beat
s.05	Cha Cha
s.06	Cool Soul
s.07	Dancy Pop
s.08	Dixie
s.09	Easy Beat
s.10	Easy Rock
s.11	Easy Soul
s.12	Fast Funk
s.13	Folk
s.14	Funk Shuffle
s.15	Funk
s.16	Hard Rock
s.17	Hard Rock 2
s.18	Hip Hop
s.19	Jazz Dance
s.20	Mambo
s.21	Polka
s.22	Pop Rock

No.	Song Name
s.23	Pop Swing
s.24	Pop
s.25	Pop Disco
s.26	Pop Ballad
s.27	Pop Waltz
s.28	R & B Ballad
s.29	Real Soul
s.30	Reggae
s.31	Rock Beat
s.32	Rock Folk
s.33	Salsa
s.34	Samba
s.35	Shuffle
s.36	Slow Beat
s.37	Slow Pop
s.38	Soft Beat
s.39	Soul
s.40	Standard Pop
s.41	Swing
s.42	Techno
s.43	Techno Pop
s.44	Waltz

Beat list:

No.	Rhythm	Description
c.01	Quarter	
c.02	Eighth	
c.03	Eighth	
c.04	Eighth Triplet	
c.05	Eighth Triplet	
c.06	Sixteenth	
c.07	Sixteenth	
c.08	Sixteenth	
c.09	Sixteenth	
c.10	Sixteenth	
c.11	Sixteenth	
c.12	Sixteenth Triplet	

Notes



MIDI Implementation Chart

Function	Transmitted	Recognised	Remarks
Basic Channel	Default Changed	10 x	1 ~ 8 & 10 ~ 16 x
	Default Messages Altered	x ***** *****	Mode 3 x *****
Note Number	0 ~ 127 *****	0 ~ 127 0 ~ 127	
Velocity	Note ON Note OFF	0 ~ 127 x	0 ~ 127 0 ~ 127
After Touch	Key' s Channel' s	x x	x x
Pitch Bend			
Control Change	0	x	Bank Select
	1	x	Modulation
	4	x	Foot Control
	5	x	Portamento Time
	6	x	Data Entry
	7	x	Volume
	10	x	Pan
	11	x	Expression
	64	x	Sustain Pedal
	65	x	Portamento On/Off
	66	x	Sostenuto Pedal
	67	x	Soft Pedal
	71	x	Resonance
72	x	Release Time	
73	x	Attack Time	
74	x	Cut Off	
80	x	Reverb Program	
81	x	Chorus Program	
90	x	Reverb Level	
91	x	Chorus Level	
120	x	All Sound OFF	
121	x	Reset All Controller *1	
123	x	All Notes OFF *1	
Program Change			
System Exclusive			
System common	Song Position	x	
	Song Select Tune	x x	x x
System Real Time	Clock	x	x
	Commands	x	x
Aux Messages	Local ON/OFF	x	x
	All Notes OFF	x	x
	Active Sense Reset	○ x	x x
Mode 1 : Omni On, Poly Mode 2 : Omni On, Mono			
Mode 3 : Omni Off, Poly Mode 4 : Omni Off, Mono			
			O : Yes X : No Notes *1 Except 9, 10 Channel

Notes

Specification

Display	3 x 7 segment LED Display
Switch Controls	KITS, SONG, CLICK, TEMPO, PLAY/STOP
Volume Controls	VOLUME, DATA
Drum Kits	31 Preset Kits
Connections	Headphone (3.5 mm Jack), Line In (3.5 mm Jack), Line Out (L/Mono, R 6.35 mm Jack) , USB MIDI, Trigger In (25 D-SUB jack)
Power Supply	AC Adapter (10 V / 500 mA)

RockJam Electronic Drum Kit



FCC Compliance Statement



FCC Class B Part 15

This device complies with Part 15 of the Federal Communications Commission (FCC) Rules. Operation is subject to the following two conditions:

This device may not cause harmful interference.

This device must accept any interference received, including interference that may cause undesired operation.

CAUTION:

Changes or modifications to this unit not expressly approved by the party responsible for compliance could void the user's authority to operate this equipment.

This equipment has been tested and found to comply with the limits for a Class B digital device, pursuant to Part 15 of the FCC Rules. These limits are designed to provide reasonable protection against harmful interference in a residential installation. This equipment generates, uses, and can radiate radio frequency energy and, if not installed and used in accordance with the manufacturer's instructions, may cause interference harmful to radio communications.

There is no guarantee, however, that interference will not occur in a particular installation. If this equipment does cause harmful interference to radio or television reception, which can be determined by turning the equipment off and on, the user is encouraged to try to correct the interference by one or more of the following measures:

Reorient or relocate the receiving antenna.

Increase the separation between the equipment and receiver.

Connect the equipment to an outlet on a circuit different from that to which the receiver is connected.

Consult the dealer or an experienced radio or TV technician for help.

RockJam Electronic Drum Kit



Product Disposal (United Kingdom and European Union)



Product disposal instructions

The symbol shown here and on the product means that the product is classed as Electrical or Electronic Equipment and should not be disposed with other household or commercial waste at the end of its working life.

The Waste Electrical and Electronic Equipment (WEEE) Directive (2002/96/EC) has been put in place to encourage the recycling of products using best available recovery and recycling techniques to minimise the impact on the environment, treat any hazardous substances and avoid the increase of landfill.

When you have no further use for this product, please dispose of it using your local authority's recycling processes. For more information please contact your local authority or the retailer where the product was purchased.

Talktous@pdtuk.com

RockJam is a registered trademark of:
PDT Ltd.

Unit 4B, Greengate Industrial Estate, White Moss View, Manchester, M24 1UN, UK